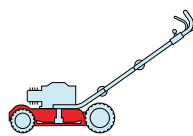


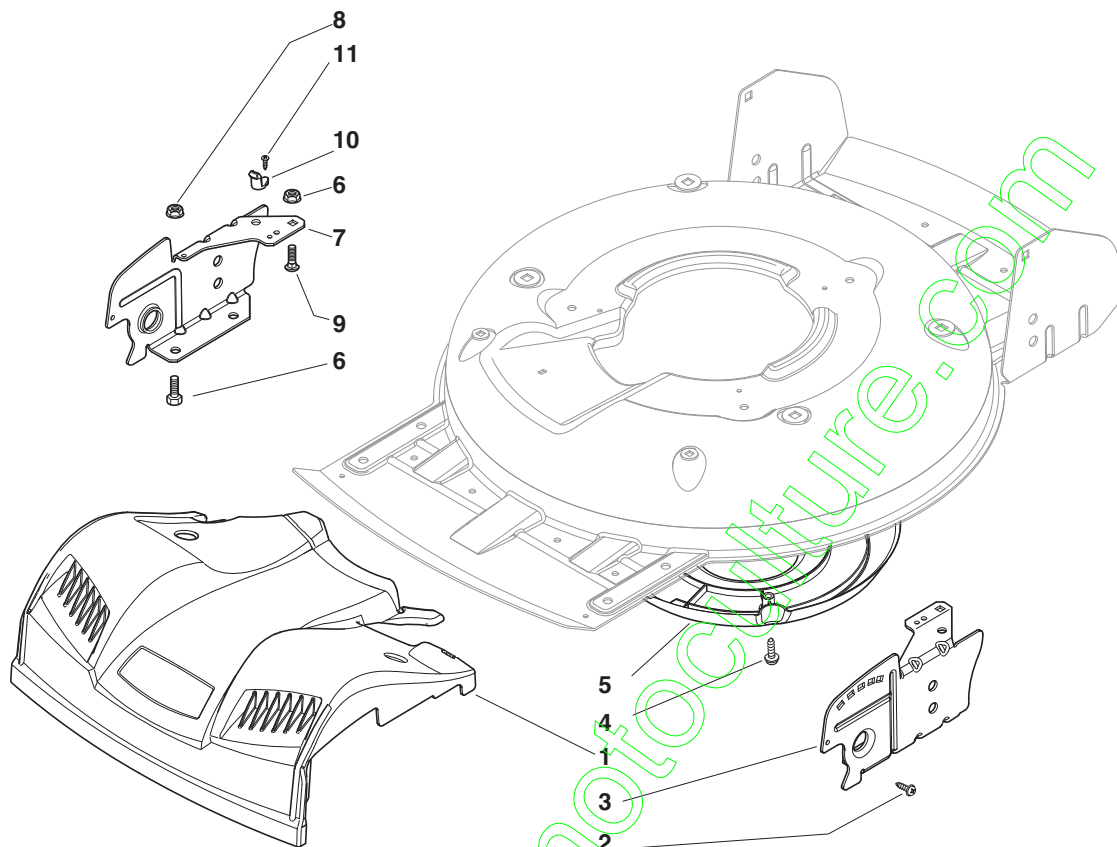
MCS 504



2008

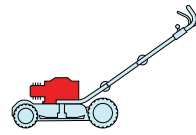
921.0

1 / 1

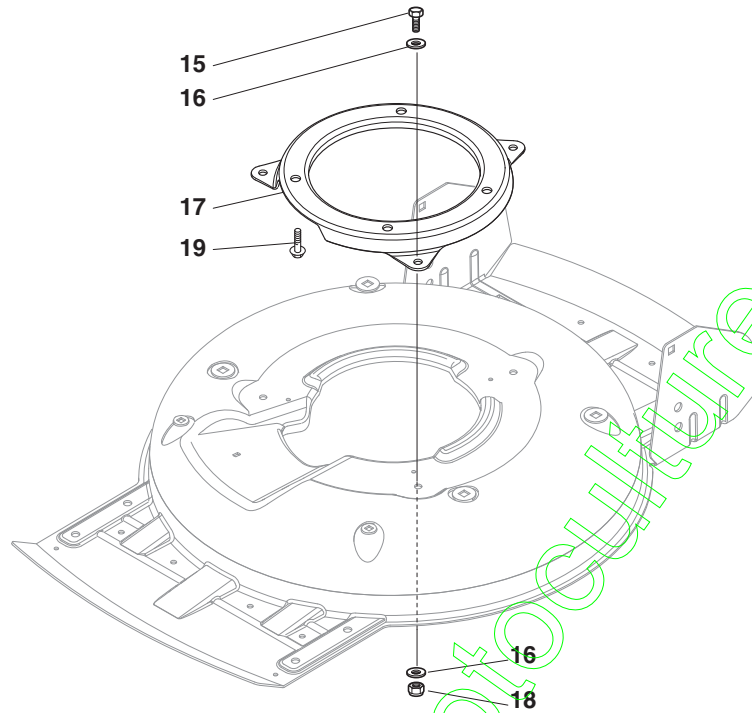


POS.	CODE	Q.TY	DESCRIZIONE	DESCRIPTION	DESCRIPTION	BESCHREIBUNG	REMARKS
1	22226097/0	1	MASCHERINA, GIALLO	MASK, YELLOW	MESQUE, JAUNE	MASKE, GELB	
-	22226098/0	1	MASCHERINA, GRIGIO	MASK, GREY	MESQUE, GRIS	MASKE, GRAU	
2	12728450/0	2	VITE	SCREW	VIS	SCHRAUBE	
3	22778421/0	1	STAFFA SX	BRACKET, L	BRIDE G	PRATZE, LINKE	
4	12728530/0	3	VITE	SCREW	VIS	SCHRAUBE	
5	22060220/0	1	CARTER	PROTECTION	PROTECTION	SCHUTZ	
6	12792611/0	4	VITE	SCREW	VIS	SCHRAUBE	
-	12292102/0	2	DADO	NUT	ECROU	MUTTER	
7	22778419/0	1	STAFFA DX	BRACKET, R	BRIDE D	PRATZE, RECHTE	
8	12293201/0	4	DADO	NUT	ECROU	MUTTER	
9	12815200/0	2	VITE	SCREW	VIS	SCHRAUBE	
10	22020400/0	2	AGGANCIO	FAIRLEAD	SUPPORT	HALTER	
11	12728523/0	2	VITE	SCREW	VIS	SCHRAUBE	

MCS 504



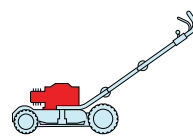
2008
921a.0
1 / 1



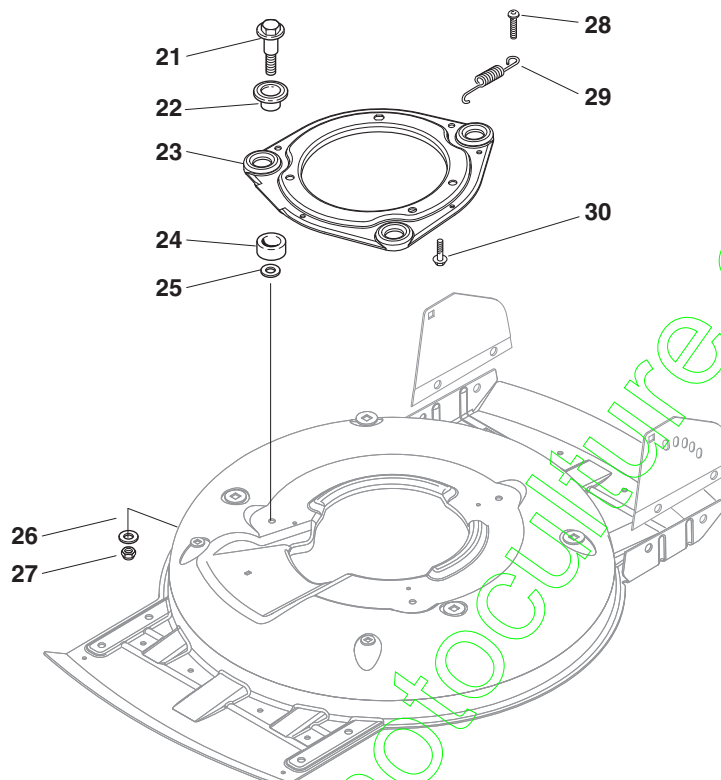
POS.	CODE	Q.TY	DESCRIZIONE	DESCRIPTION	DESCRIPTION	BESCHREIBUNG	REMARKS
15	12792611/0	3	VITE	SCREW	VIS	SCHRAUBE	
16	12523060/0	6	ROSETTA	WASHER	RONDELLE	SCHEIBE	
17	322207219/1	1	FLANGIA	FLANGE	BRIDE	FLANSCH	
18	12293201/0	3	DADO	NUT	ECROU	MUTTER	
19	112735108/1	3	VITE	SCREW	VIS	SCHRAUBE	

contact@encinomotoculture.com

MCS 504

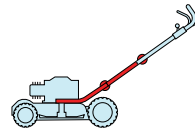


2008
921b.0
1 / 1



POS.	CODE	Q.TY	DESCRIZIONE	DESCRIPTION	DESCRIPTION	BESCHREIBUNG	REMARKS
21	22524329/0	3	PERNO	PIN	PIVOT	BOLZEN	
22	22672201/0	3	ROSETTA	WASHER	RONDELLE	SCHEIBE	
23	81207222/1	1	FLANGIA, NERO	FLANGE, BLACK	BRIDE, NOIR	FLANSCH, SCHWARZ	
-	81207221/1	1	FLANGIA, GIALLO	FLANGE, YELLOW	BRIDE, JAUNE	FLANSCH, GLEB	
24	22250012/0	3	GOMMINO	GROMMET	CAOUTCHOUC	GUMMI	
25	22672201/0	3	ROSETTA	WASHER	RONDELLE	SCHEIBE	
26	22671651/0	3	ROSETTA	WASHER	RONDELLE	SCHEIBE	
27	12155000/0	3	DADO	NUT	ECROU	MUTTER	
28	12791400/0	1	VITE	SCREW	VIS	SCHRAUBE	
29	22450444/0	1	MOLLA	SPRING	RESSORT	FEDER	
30	112735108/1	3	VITE	SCREW	VIS	SCHRAUBE	

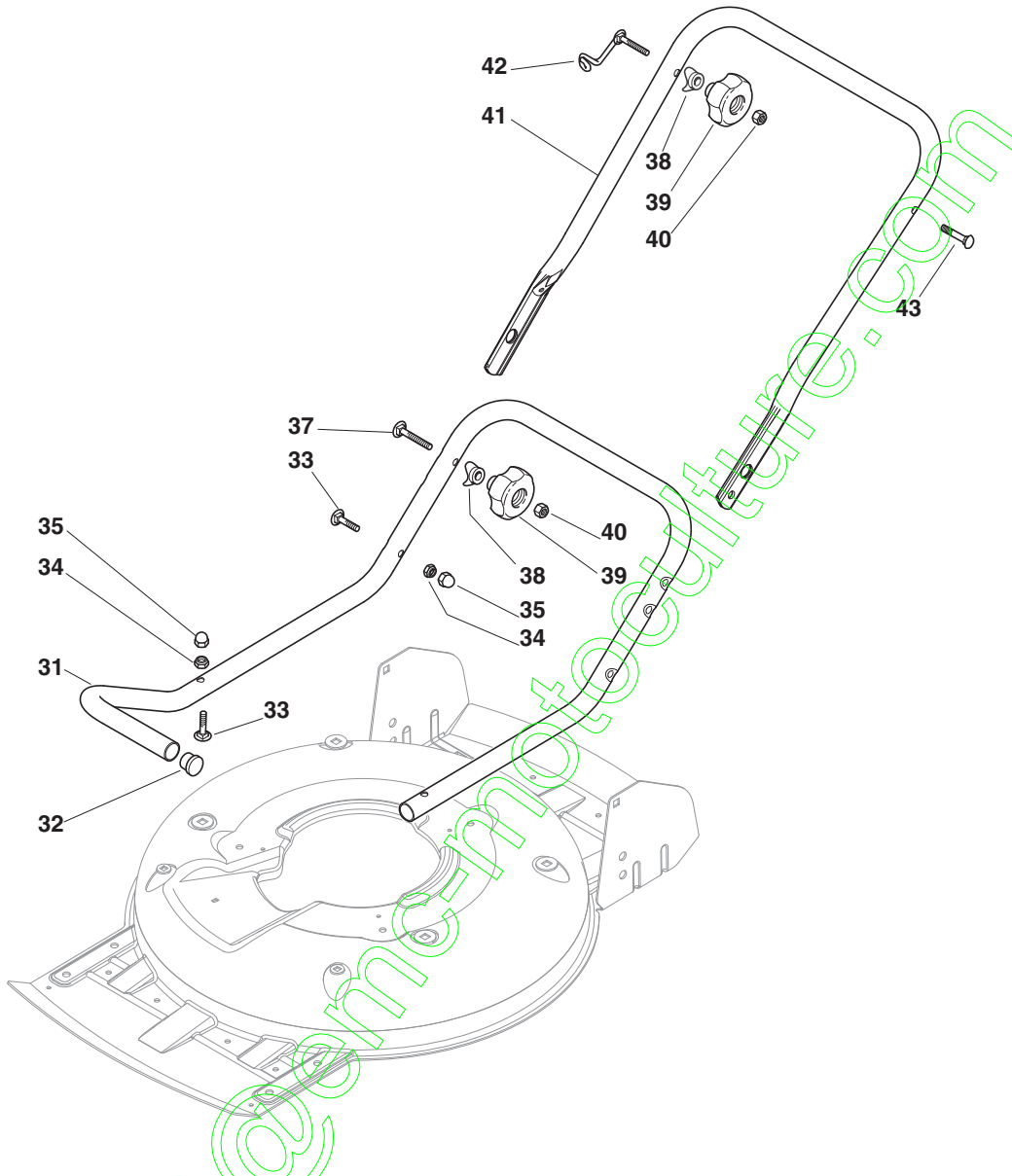
MCS 504



2008

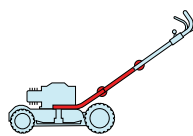
922.0

1 / 1

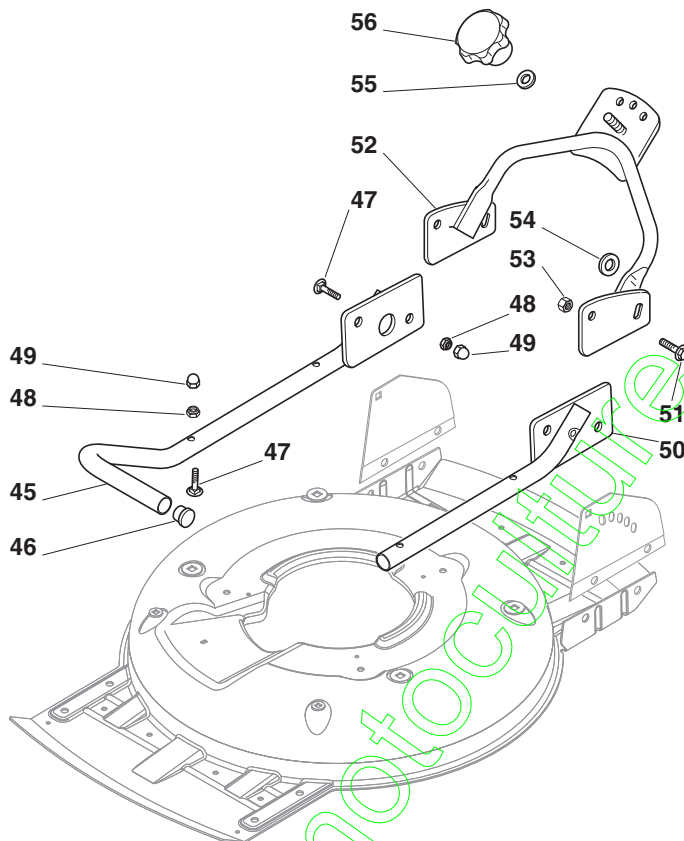


POS.	CODE	Q.TY	DESCRIZIONE	DESCRIPTION	DESCRIPTION	BESCHREIBUNG	REMARKS
31	81006667/0	1	MANICO, PARTE INF	HANDLE, LOWER PART	MANCHERON, PARTIE INFERIEURE	HOLM, UNTERTEIL	
32	18566110/0	2	PUNTALE	CAP	BOUCHON	GUMMISTOPFEN	
33	12818900/0	4	VITE	SCREW	VIS	SCHRAUBE	
34	12155000/0	4	DADO	NUT	ECROU	MUTTER	
35	18203854/0	4	CAPPUCCIO	PROTECTION	CAPUCHON	STECKER	
36	12818900/0	4	VITE	SCREW	VIS	SCHRAUBE	
37	12819201/0	2	VITE	SCREW	VIS	SCHRAUBE	
38	22680006/1	4	ROSETTA	WASHER	RONDELLE	SCHEIBE	
39	322399804/1	4	MANOPOLINA	KNOB	POIGNÉE	GRIFF	
40	12293200/0	4	DADO	NUT	ECROU	MUTTER	
41	81006668/0	1	MANICO, PARTE INTER-MEDIA	HANDLE, MIDDLE PART	MANCHERON	HOLM	
42	81003801/1	1	MOLLA GUIDA	SPRING	RESSORT	FEDER	
43	12819201/0	1	VITE	SCREW	VIS	SCHRAUBE	

**MCS 504**

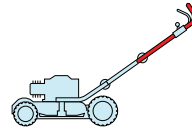


2008
<b>922a.0</b>
1 / 1



POS.	CODE	Q.TY	DESCRIZIONE	DESCRIPTION	DESCRIPTION	BESCHREIBUNG	REMARKS
46	18566114/0	4	PUNTALE	CAP	BOUCHON	GUMMISTOPFEN	
47	12819100/0	6	VITE	SCREW	VIS	SCHRAUBE	(B&S 625/650/675 series - HONDA - GGP 160/200 cc)
45	81006373/0	1	MANICO, PARTE INF DX	RIGHT HANDLE, LOWER PART	MANCHERON, PARTIE INFERIEURE	HOLM, UNTERTEIL	(B&S 450/500 series - GGP 150 cc)
48	12155000/0	6	DADO	NUT	ECROU	MUTTER	
49	18203854/0	6	CAPPUCCIO	PROTECTION	CAPUCHON	STECKER	
50	81006375/0	1	MANICO, PARTE INF SX	LEFT HANDLE, LOWER PART	MANCHERON, PARTIE INFERIEURE	HOLM, UNTERTEIL	
52	81006361/0	1	MANICO, PARTE INTER-MEDIA	HANDLE, MIDDLE PART	MANCHERON	HOLM	
51	12793102/0	4	VITE	SCREW	VIS	SCHRAUBE	
53	12155000/0	4	DADO	NUT	ECROU	MUTTER	
55	12523080/0	1	ROSETTA	WASHER	RONDELLE	SCHEIBE	
56	22399813/0	1	MANOPOLINA	KNOB	POIGNÉE	GRIFF	
54	12523060/0	2	ROSETTA	WASHER	RONDELLE	SCHEIBE	

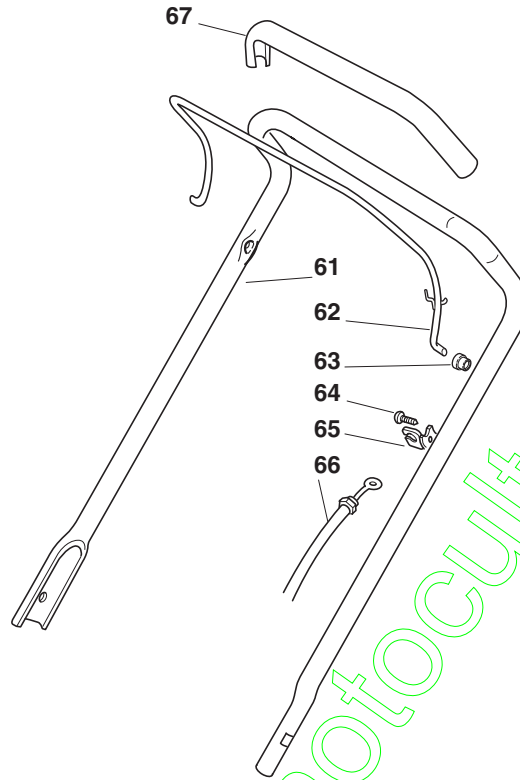
MCS 504



2008

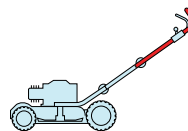
923.0

1 / 1

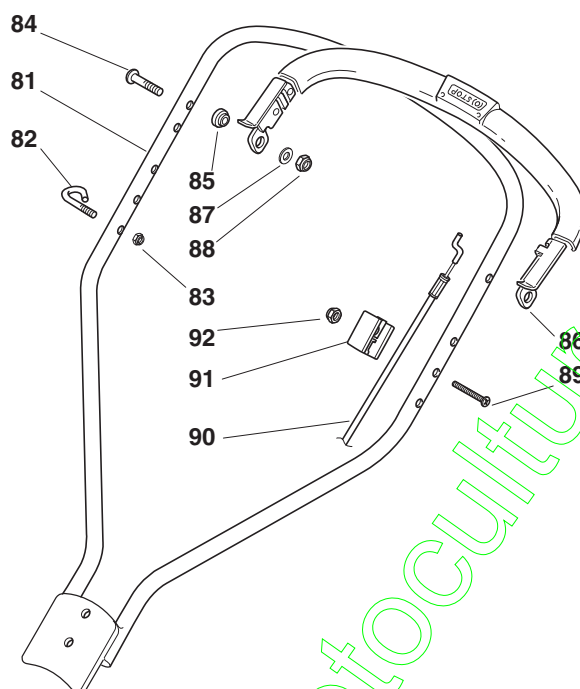


POS.	CODE	Q.TY	DESCRIZIONE	DESCRIPTION	DESCRIPTION	BESCHREIBUNG	REMARKS
61	81007018/1	1	MANICO, PARTE SUP	HANDLE, UPPER PART	MANCHERON, PARTIE SUPERIEURE	HOLM, OBERTEIL	
62	81003291/3	1	LEVA FRENO MOTORE	LEVER, ENGINE BRAKE	LEVIER FREIN MOTEUR	HEBEL, MOTORBREMSE	
63	22041966/0	2	BUSSOLA	BUSH	DOUILLE	BUCHSE	
64	12728518/0	1	VITE	SCREW	VIS	SCHRAUBE	
65	22806612/0	1	SUPPORTO	SUPPORT	SUPPORT	HALTER	
66	81000615/0	1	CAVO FRENO MOTORE BRAKE	CABLE, THREAD ENGINE BRAKE	CABLE FREIN MOTEUR	KABEL, MOTORBREMSE	(GGP 150cc)
-	81000631/0	1	CAVO FRENO MOTORE BRAKE	CABLE, THREAD ENGINE BRAKE	CABLE FREIN MOTEUR	KABEL, MOTORBREMSE	(B&S 450-500 series)
-	81000631/0	1	CAVO FRENO MOTORE BRAKE	CABLE, THREAD ENGINE BRAKE	CABLE FREIN MOTEUR	KABEL, MOTORBREMSE	(HONDA GCV 135/160/190)
-	81000634/0	1	CAVO FRENO MOTORE BRAKE	CABLE, THREAD ENGINE BRAKE	CABLE FREIN MOTEUR	KABEL, MOTORBREMSE	(GGP 160cc)
-	81000642/1	1	CAVO FRENO MOTORE BRAKE	CABLE, THREAD ENGINE BRAKE	CABLE FREIN MOTEUR	KABEL, MOTORBREMSE	(B&S 675 series)
67	22291050/0	1	IMPUGNATURA MANICO NERA	HANDGRIP BLACK	POIGNÉE NOIRE	HANDGRIFF SCHWARZ	

MCS 504

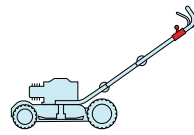


2008
923a.0
1 / 1



POS.	CODE	Q.TY	DESCRIZIONE	DESCRIPTION	DESCRIPTION	BESCHREIBUNG	REMARKS
81	81006363/1	1	MANICO, PARTE SUP	HANDLE, UPPER PART	MANCHERON, PARTIE SUPERIEURE	HOLM, OBERTEIL	
82	22430314/0	1	MOLLA GUIDA	SPRING	RESSORT	FEDER	
83	12154510/0	1	DADO	NUT	ECROU	MUTTER	
84	12727784/0	2	VITE	SCREW	VIS	SCHRAUBE	
85	22671660/1	2	ROSETTA	WASHER	RONDELLE	SCHEIBE	
86	81003318/1	1	LEVA FRENO MOTORE	LEVER, ENGINE BRAKE	LEVIER FREIN MOTEUR	HEBEL, MOTORBREMSE	
87	12523040/0	2	ROSETTA	WASHER	RONDELLE	SCHEIBE	
88	12154510/0	2	DADO	NUT	ECROU	MUTTER	
89	12727783/0	1	VITE	SCREW	VIS	SCHRAUBE	
90	181000769/1	1	CAVO FRENO MOTORE	CABLE, THREAD ENGINE BRAKE	CABLE FREIN MOTEUR	KABEL, MOTORBREMSE	(GGP 200cc)
-	81000618/0	1	CAVO FRENO MOTORE	CABLE, THREAD ENGINE BRAKE	CABLE FREIN MOTEUR	KABEL, MOTORBREMSE	(B&S 675 series)
-	81000618/0	1	CAVO FRENO MOTORE	CABLE, THREAD ENGINE BRAKE	CABLE FREIN MOTEUR	KABEL, MOTORBREMSE	(GGP 160cc)
-	81000730/0	1	CAVO FRENO MOTORE	CABLE, THREAD ENGINE BRAKE	CABLE FREIN MOTEUR	KABEL, MOTORBREMSE	(GGP 150cc)
-	81000733/0	1	CAVO FRENO MOTORE	CABLE, THREAD ENGINE BRAKE	CABLE FREIN MOTEUR	KABEL, MOTORBREMSE	(HONDA GCV 135/160/190)
-	81000730/0	1	CAVO FRENO MOTORE	CABLE, THREAD ENGINE BRAKE	CABLE FREIN MOTEUR	KABEL, MOTORBREMSE	TR/E (B&S 675 series ES)
91	22551640/0	1	PIASTRINA	PLATE	PLAQUETTE	PLÄTTCHEN	
92	12154510/0	1	DADO	NUT	ECROU	MUTTER	

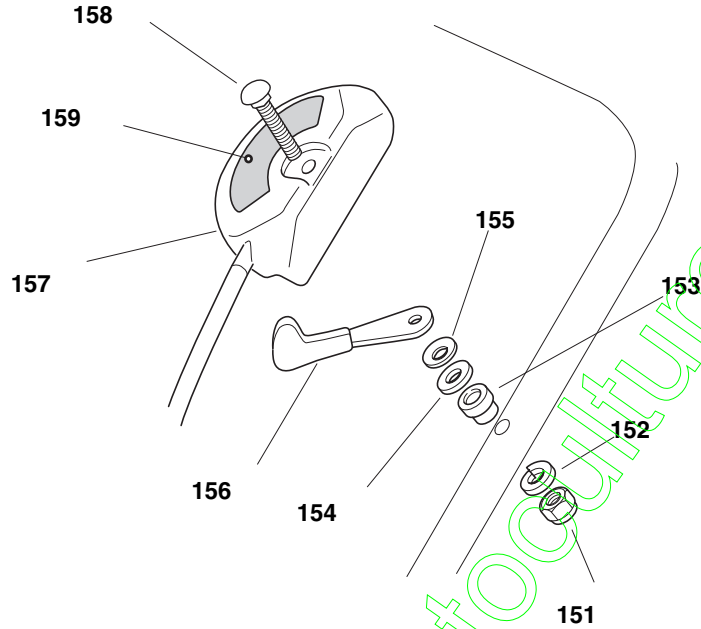
MCS 504



2008

923b.0

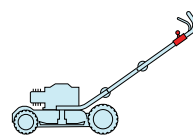
1 / 1



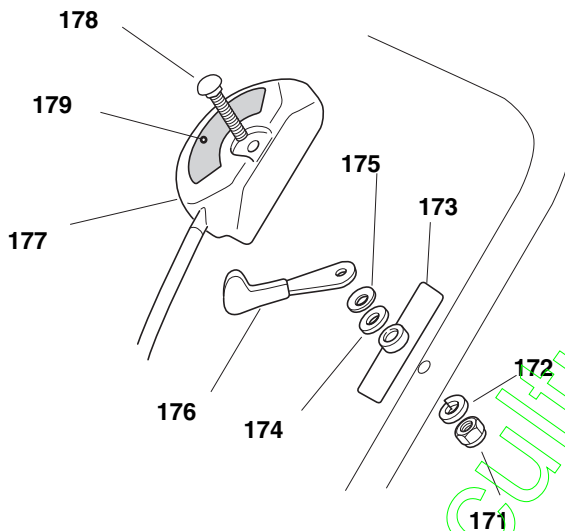
POS.	CODE	Q.TY	DESCRIZIONE	DESCRIPTION	DESCRIPTION	BESCHREIBUNG	REMARKS
151	12291000/0	1	DADO	NUT	ECROU	MUTTER	.
152	12581500/0	1	GROWER	GROWER	GROWER	FEDERRING	.
153	22171005/0	1	DISTANZIALE	SPACER	ENTRETOISE	DISTANZRING	.
154	12521360/0	1	ROSETTA	WASHER	RONDELLE	SCHEIBE	.
155	12508100/0	1	ROSETTA ELASTICA	SPRING WASHER	RONDELLE ELASTIQUE	ELASTISCHE SCHEIBE	.
156	81007279/1	1	LEVA, ACCELERATORE	LEVER, THROTTLE	LEVIER, ACCELERATEUR	HEBEL, BESHLEUNIGER	(B&S 625/650/675 series - HONDA - GGP 160/200 cc)
-	81007220/0	1	LEVA, ACCELERATORE	LEVER, THROTTLE	LEVIER, ACCELERATEUR	HEBEL, BESHLEUNIGER	(B&S 450/500 series - GGP 150 cc)
157	81007080/0	1	CAVO ACCELERATORE	THROTTLE CABLE	CABLE, ACCELERATEUR	GASHEBEL KABEL	.
158	12815000/0	1	VITE	SCREW	VIS	SCHRAUBE	.
159	14356703/0	1	ETICHETTA	LABEL	ETIQUETTE	ETIKETTE	(B&S)
-	14356702/0	1	ETICHETTA	LABEL	ETIQUETTE	ETIKETTE	(GGP ENGINE - HONDA)



MCS 504

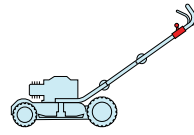


2008
923c.0
1 / 1

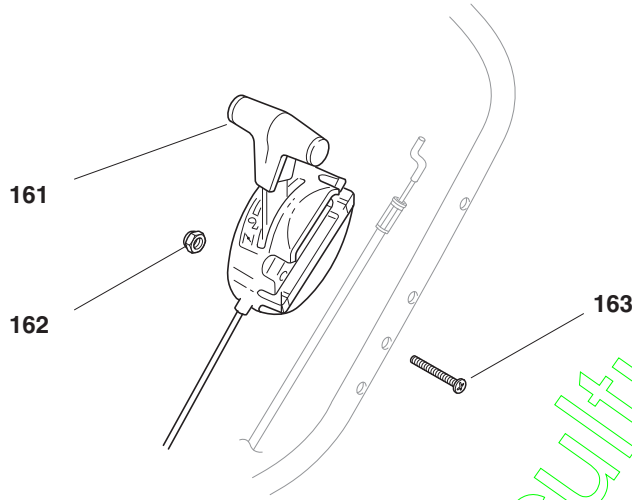


POS.	CODE	Q.TY	DESCRIZIONE	DESCRIPTION	DESCRIPTION	BESCHREIBUNG	REMARKS
171	12291000/0	1	DADO	NUT	ECROU	MUTTER	.
172	12581500/0	1	GROWER	GROWER	GROWER	FEDERRING	.
173	22171006/0	1	DISTANZIALE	SPACER	ENTRETOISE	DISTANZRING	.
174	12521360/0	1	ROSETTA	WASHER	RONDELLE	SCHEIBE	.
175	12508100/0	1	ROSETTA ELASTICA	SPRING WASHER	RONDELLE ELASTIQUE	ELASTISCHE SCHEIBE	.
176	81007279/1	1	LEVA, ACCELERATORE	LEVER, THROTTLE	LEVIER, ACCELERATEUR	HEBEL, BESHLEUNIGER	(B&S 625/650/675 series - HONDA - GGP 160/200 cc)
-	81007220/0	1	LEVA, ACCELERATORE	LEVER, THROTTLE	LEVIER, ACCELERATEUR	HEBEL, BESHLEUNIGER	(B&S 450/500 series - GGP 150 cc)
177	81007080/0	1	CAVO ACCELERATORE	THROTTLE CABLE	CABLE, ACCELERATEUR	GASHEBEL KABEL	.
178	12815030/0	1	VITE	SCREW	VIS	SCHRAUBE	.
179	14356703/0	1	ETICHETTA	LABEL	ETIQUETTE	ETIKETTE	(B&S)
-	14356702/0	1	ETICHETTA	LABEL	ETIQUETTE	ETIKETTE	(GGP ENGINE - HONDA)
-	14361404/0	1	ETICHETTA	LABEL	ETIQUETTE	ETIKETTE	(GGP ENGINE - AVS)

MCS 504



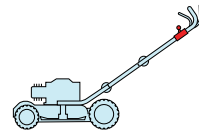
2008
923d.0
1 / 1



POS.	CODE	Q.TY	DESCRIZIONE	DESCRIPTION	DESCRIPTION	BESCHREIBUNG	REMARKS
161	81007130/0	1	CAVO ACCELERATORE	THROTTLE CABLE	CABLE, ACCELERATEUR	GASHEBEL KABEL	(HONDA)
162	12154510/0	1	DADO	NUT	ECROU	MUTTER	
163	12727786/0	1	VITE	SCREW	VIS	SCHRAUBE	

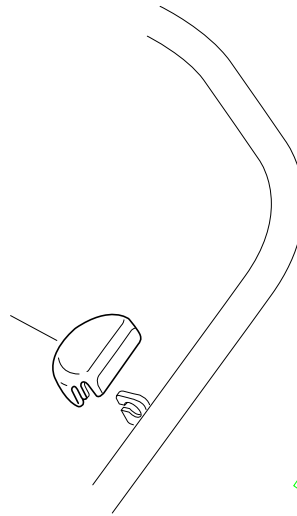
contact@emc-motoculture.com

**MCS 504**



2008
<b>923e.0</b>
1 / 1

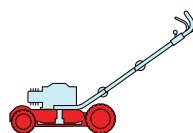
201



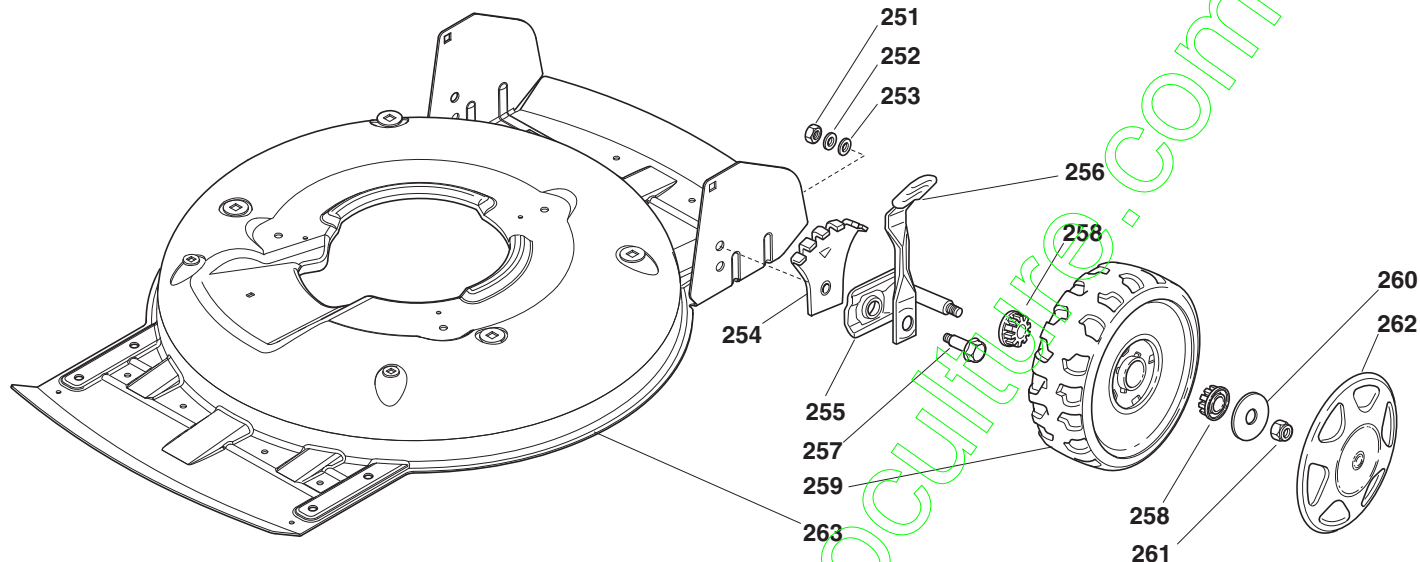
POS.	CODE	Q.TY	DESCRIZIONE	DESCRIPTION	DESCRIPTION	BESCHREIBUNG	REMARKS
201	22601000/0	1	PROTEZIONE	PROTECTION	PROTECTION	SCHUTZ	

contact@enc-motoculture.com

MCS 504

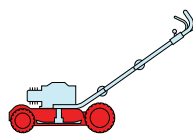


2008
924.0
1 / 1

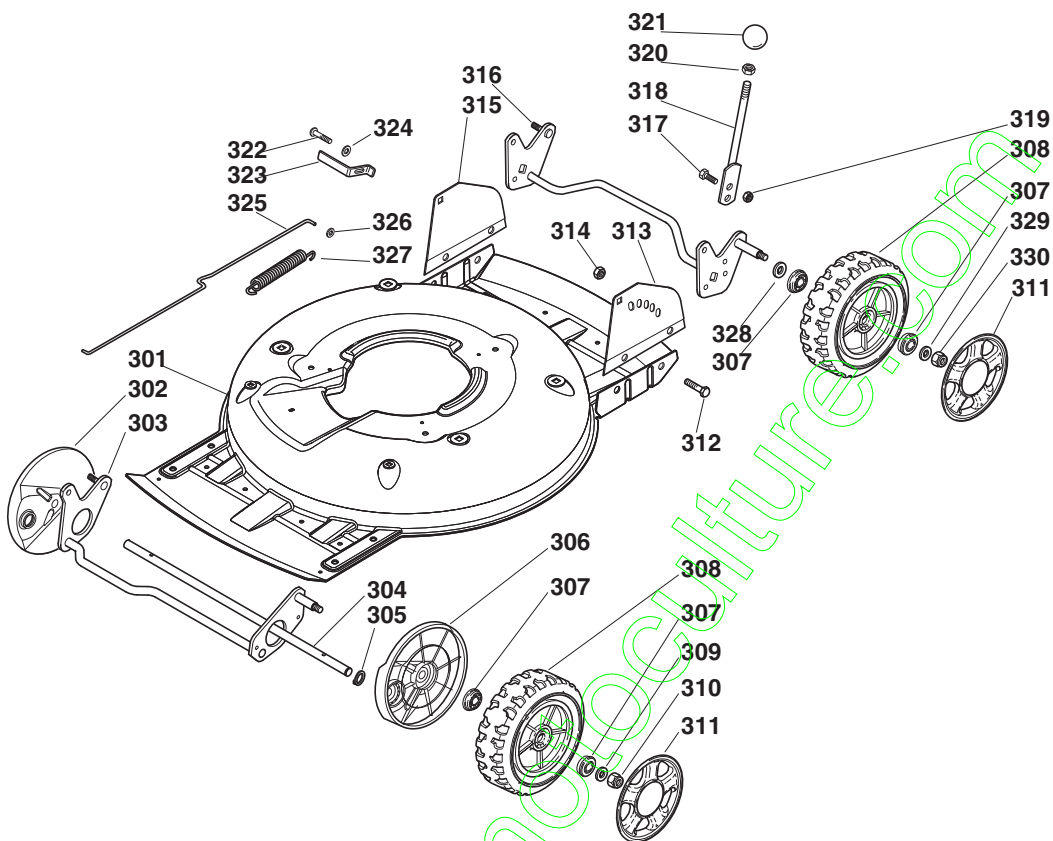


POS.	CODE	Q.TY	DESCRIZIONE	DESCRIPTION	DESCRIPTION	BESCHREIBUNG	REMARKS
251	12293200/0	4	DADO	NUT	ECROU	MUTTER	
252	12583500/0	4	GROWER	GROWER	GROWER	FEDERRING	
253	12523070/0	4	ROSETTA	WASHER	RONDELLE	SCHEIBE	
254	22735547/0	4	SETTORE REGOLAZIONE ALTEZZA	SECTOR, HEIGHT ADJUSTMENT	SECTEUR REGLAGE HAUTEUR	SEKTOR, HÖHEVERSTELLUNG	
255	81005082/0	4	SUPPORTO RUOTA	SUPPORT, WHEEL	SUPPORT ROUE	HALTER, RAD	
256	81003286/0	4	LEVA REGOLAZIONE ALTEZZA	LEVER, HEIGHT ADJUSTMENT	LEVIER, REGLAGE HAUTEUR	HEBEL, HÖHEVERSTELLUNG	
257	22519811/0	4	PERNO	PIN	PIVOT	BOLZEN	
258	22034508/0	8	BUSSOLA	BUSH	DOUILLE	BUCHSE	
259	22686092/0	2	RUOTA Ø 190	WHEEL Ø 190	ROUE Ø 190	RAD Ø 190	
260	12523060/0	4	ROSETTA	WASHER	RONDELLE	SCHEIBE	
261	12155000/0	4	DADO	NUT	ECROU	MUTTER	
262	-	4	COPRIMOZZO	HUB CAP	COUVRE-MOYEU	RADKAPPE	(SEE ENCLOSURE 2)
263	81002907/1	1	CHASSIS GIALLO	DECK YELLOW	CHÂSSIS JAUNE	GEHÄUSE GELB	

MCS 504



2008  
924a.0  
1 / 2

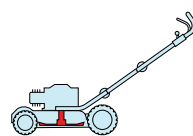


POS.	CODE	Q.TY	DESCRIZIONE	DESCRIPTION	DESCRIPTION	BESCHREIBUNG	REMARKS
301	81002909/1	1	CHASSIS GRIGIO	DECK GREY	CHÂSSIS GRIS	GEHÄUSE GRAU	
301	322064691/0	1	CHASSIS INOX	DECK INOX	CHÂSSIS INOX	GEHÄUSE INOX	
302	22600093/0	1	PROT. RUOTE DX	PROTECTION, R WHEEL	PROTECTION ROUE D	SCHÜTZ, RECHTES	
303	81002849/0	1	ASSE RUOTE ANTERIO- RE	AXLE, FRONT WHEELS	AXE ROUES AVANT	ACHSE, VORDERRAD	
304	22033397/0	1	ASSE RUOTE ANTERIO- RE	AXLE, FRONT WHEELS	AXE ROUES AVANT	ACHSE, VORDERRAD	
305	22020050/0	2	DISCO ELASTICO	ELASTIC WASHER	RONDELLE ELASTIQUE	ELASTISCHESCHEIBE	
306	22600092/0	1	PROT. RUOTE SX	PROTECTION, L WHEEL	PROTECTION ROUE G	SCHÜTZ, LINKES	
307	22122200/0	8	CUSCINETTO	BEARING	COUSSINET	LAGER	
308	81007343/0	4	RUOTA Ø 210	WHEEL Ø 210	ROUE Ø 210	RAD Ø 210	
309	12369500/0	2	DISCO ELASTICO	ELASTIC WASHER	RONDELLE ELASTIQUE	ELASTISCHESCHEIBE	
310	12155000/0	2	DADO	NUT	ECROU	MUTTER	
311	-	4	COPRIMOZZO	HUB CAP	COUVRE-MOYEU	RADKAPPE	(SEE ENCLOSURE 2)
312	12791011/0	4	VITE	SCREW	VIS	SCHRAUBE	
313	81545105/0	1	PIASTRINA SINISTRA	LEFT PLATE	PLAQUETTE G	PLÄTTCHEN L	
313	322545169/0	1	PIASTRINA SINISTRA, INOX	LEFT PLATE, INOX	PLAQUETTE GAUCHE, INOX	PLÄTTCHEN LINKE, INOX	
314	12154510/0	4	DADO	NUT	ECROU	MUTTER	
315	81545104/0	1	PIASTRINA DESTRA	RIGHT PLATE	PLAQUETTE D	PLÄTTCHEN R	
315	322545167/0	1	PIASTRINA DESTRA, INOX	RIGHT PLATE, INOX	PLAQUETTE DROITE, INOX	PLÄTTCHEN RECHTE, INOX	
316	81002851/0	1	ASSE RUOTE POSTE- RIORE	AXLE, REAR WHEELS	AXE ROUES ARRIERE	ACHSE, HINTERRAD	
317	12789000/0	2	VITE	SCREW	VIS	SCHRAUBE	
318	81003323/0	1	LEVA REGOLAZIONE ALTEZZA	LEVER, HEIGHT ADJUSTMENT	LEVIER REGLAGE HAU- TEUR	HEBEL, HÖNEVERSTEL- LUNG	

POS.	CODE	Q.Q.TY	DESCRIZIONE	DESCRIPTION	DESCRIPTION	BESCHREIBUNG	REMARKS
319	12154330/0	2	DADO	NUT	ECROU	MUTTER	
320	12293200/0	1	DADO	NUT	ECROU	MUTTER	
321	22399812/0	1	MANOPOLINA	KNOB	POIGNÉE	GRIFF	
322	12735661/0	2	VITE	SCREW	VIS	SCHRAUBE	
323	22551529/0	2	PIASTRINA	PLATE	PLAQUETTE	PLÄTTCHEN	
324	12521330/0	2	ROSETTA	WASHER	RONDELLE	SCHEIBE	
325	22033329/0	1	ASTA COMANDO REGOL.	ROD, HEIGHT ADJUSTMENT CONTROL	TIGE COMMANDE RE- GLAGE HAUTEUR	STANGE, HÖHEVERSTEL- LUNG	
326	12604899/0	2	FISSATORE A CORONA	CROWN FASTENER	FIXATEUR A COURONNE	KRONESCHEIBE	
327	22446184/0	1	MOLLA	SPRING	RESSORT	FEDER	
328	12530150/0	2	ROSETTA	WASHER	RONDELLE	SCHEIBE	
329	12521350/0	2	ROSETTA	WASHER	RONDELLE	SCHEIBE	
330	12155000/0	2	DADO	NUT	ECROU	MUTTER	

contact@emc-motoculture.com

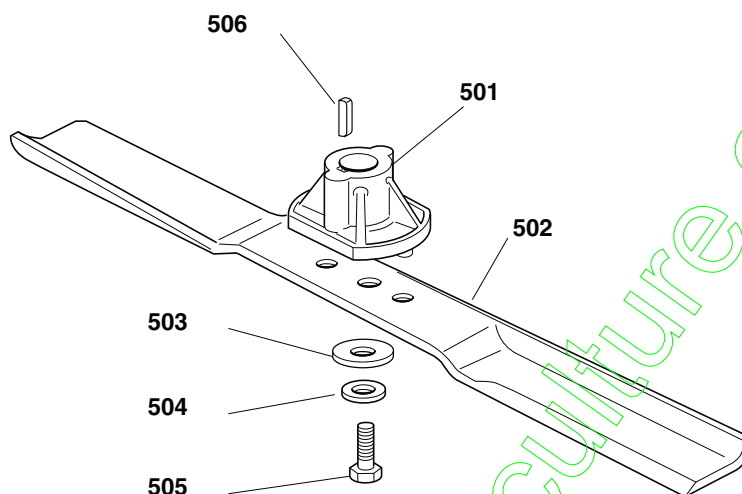
MCS 504



2008

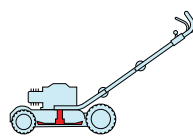
925.0

1 / 1

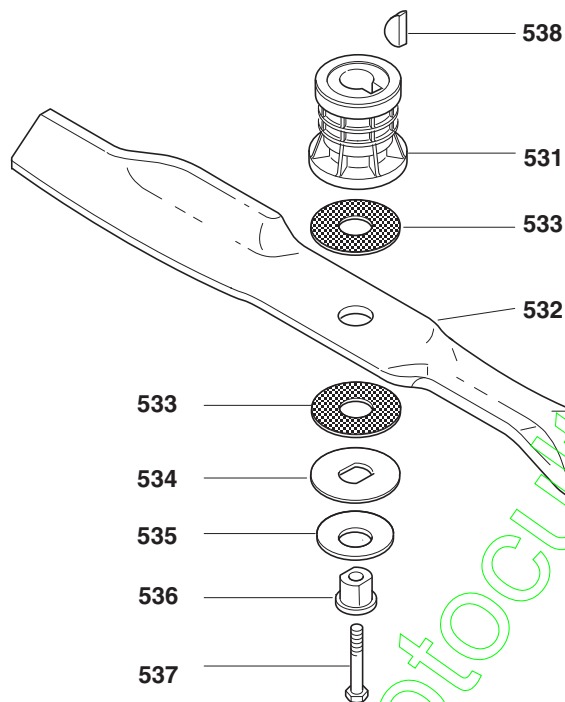


POS.	CODE	Q.TY	DESCRIZIONE	DESCRIPTION	DESCRIPTION	BESCHREIBUNG	REMARKS
501	22463012/1	1	MOZZO, ALBERO MOTORE Ø 22.2	HUB, CRANKSHAFT Ø 22.2	MOYEU, ARBRE MOTEUR Ø 22.2	HALTER, MOTORWELLE Ø 22.2	
-	122463020/1	1	MOZZO, ALBERO MOTORE Ø 25	HUB, CRANKSHAFT Ø 25	MOYEU, ARBRE MOTEUR Ø 25	HALTER, MOTORWELLE Ø 25	
502	81004146/0	1	COLTELLO STANDARD	BLADE STANDARD	LAME STANDARD	MESSER STANDARD	
503	22160400/0	1	DISCO ELASTICO	ELASTIC WASHER	RONDELLE ELASTIQUE	ELASTISCHESCHEIBE	
504	12523080/0	1	ROSETTA	WASHER	RONDELLE	SCHEIBE	
505	12735698/0	1	VITE	SCREW	VIS	SCHRAUBE	
506	12139100/0	1	LINGUETTA, ALBERO MOTORE Ø 22.2	FEATHER, CRANKSHAFT Ø 22.2	CLAVETTE, ARBRE MOTEUR Ø 22.2	KEIL, MOTORWELLE Ø 22.2	
-	12139150/0	1	LINGUETTA, ALBERO MOTORE Ø 25	FEATHER, CRANKSHAFT Ø 25	CLAVETTE, ARBRE MOTEUR Ø 25	KEIL, MOTORWELLE Ø 25	

MCS 504



2008
925a.0
1 / 1



POS.	CODE	Q.TY	DESCRIZIONE	DESCRIPTION	DESCRIPTION	BESCHREIBUNG	REMARKS
531	22465611/0	1	MOZZO CON PULEGGIA, ALBERO MOTORE Ø 22.2	HUB WITH PULLEY, CRANKSHAFT Ø 22.2	MOYEU AVEC POULIE, ARBRE MOTEUR Ø 22.2	NABE MIT SCHEIBE, MOTORWELLE Ø 22.2	
-	122465612/1	1	MOZZO CON PULEGGIA, ALBERO MOTORE Ø 25	HUB WITH PULLEY, CRANKSHAFT Ø 25	MOYEU AVEC POULIE, ARBRE MOTEUR Ø 25	NABE MIT SCHEIBE, MOTORWELLE Ø 25	
532	81004146/0	1	COLTELLO ALETTATO	BLADE WINGED	LAME AILETTÉE	MESSER FLÜGEL	
533	22672110/1	2	RONDELLA FRIZIONE	CLUTCH WASHER	RONDELLE FRICTION	KUPPLUNGSSCHEIBE	
534	22672105/0	1	ROSETTA	WASHER	RONDELLE	SCHEIBE	
535	12508120/0	1	MOLLA A TAZZA	CURPED SPRING	RESSORT	TELLER FEDER	
536	22041940/0	1	BUSSOLA FRIZIONE	CLUTCH BUSH	DOUILLE FRICTION	KUPPLUNGSSSCHEIBE	
537	12736850/0	1	VITE	SCREW	VIS	SCHRAUBE	
538	12139100/0	1	LINGUETTA, ALBERO MOTORE Ø 22.2	FEATHER, CRANKSHAFT Ø 22.2	CLAVETTE, ARBRE MOTEUR Ø 22.2	KEIL, MOTORWELLE Ø 22.2	
-	12139150/0	1	LINGUETTA, ALBERO MOTORE Ø 25	FEATHER, CRANKSHAFT Ø 25	CLAVETTE, ARBRE MOTEUR Ø 25	KEIL, MOTORWELLE Ø 25	

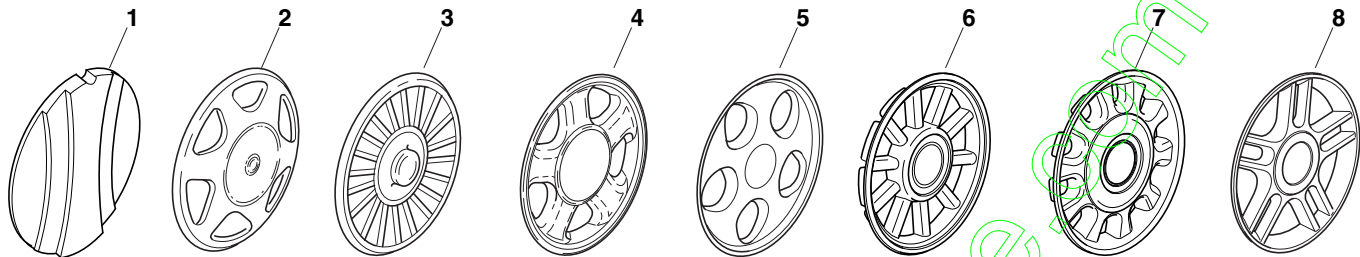


**ENCLOSURE 1**

2008

**001.0**

1 / 1



POS.	CODE	Q.TY	DESCRIZIONE	DESCRIPTION	DESCRIPTION	BESCHREIBUNG	REMARKS
1	22110252/1		COPRIMOZZO BIANCO	HUB CAP WHITE	COUVRE-MOYEU	RADKAPPE WEISSE	
-	22110254/1		COPRIMOZZO GIALLO	HUB CAP YELLOW	COUVRE-MOYEU	RADKAPPE GELBE	
-	22110255/1		COPRIMOZZO ROSSO	HUB CAP RED	COUVRE-MOYEU	RADKAPPE ROTE	
2	22110344/0		COPRIMOZZO BIANCO	HUB CAP WHITE	COUVRE-MOYEU	RADKAPPE WEIÙE	
-	22110395/0		COPRIMOZZO GRIGIO	HUB CAP GREY	COUVRE-MOYEU GRIS	RADKAPPE GRAU	
3	22110347/0		COPRIMOZZO GRIGIO	HUB CAP GREY	COUVRE-MOYEU GRIS	RADKAPPE GRAU	
4	22110381/0		COPRIMOZZO GRIGIO	HUB CAP GREY	COUVRE-MOYEU GRIS	RADKAPPE GRAU	
5	22110416/0		COPRIMOZZO GRIGIO	HUB CAP GREY	COUVRE-MOYEU GRIS	RADKAPPE GRAU	
6	22110495/0		COPRIMOZZO GRIGIO	HUB CAP GREY	COUVRE-MOYEU GRIS	RADKAPPE GRAU	
7	22110493/0		COPRIMOZZO GRIGIO	HUB CAP GREY	COUVRE-MOYEU GRIS	RADKAPPE GRAU	
8	22110491/0		COPRIMOZZO GRIGIO	HUB CAP GREY	COUVRE-MOYEU GRIS	RADKAPPE GRAU	

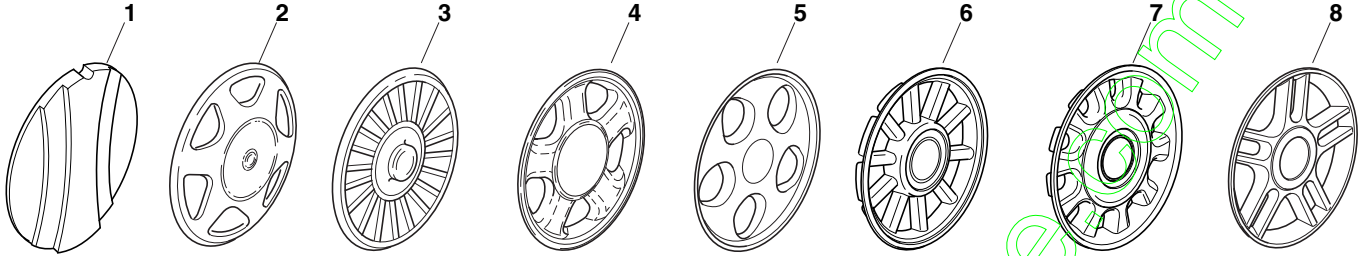
contact@eric-motoculture.com

**ENCLOSURE 2**

2008

**002.0**

1 / 1



POS.	CODE	Q.TY	DESCRIZIONE	DESCRIPTION	DESCRIPTION	BESCHREIBUNG	REMARKS
1	22110251/0		COPRIMOZZO BIANCO	HUB CAP WHITE	COUVRE-MOYEU	RADKAPPE WEISSE	
-	22110253/0		COPRIMOZZO GIALLO	HUB CAP YELLOW	COUVRE-MOYEU	RADKAPPE GELBE	
-	22110256/0		COPRIMOZZO ROSSO	HUB CAP RED	COUVRE-MOYEU	RADKAPPE ROTE	
2	22110313/0		COPRIMOZZO BIANCO	HUB CAP WHITE	COUVRE-MOYEU	RADKAPPE WEIÙE	
-	22110314/0		COPRIMOZZO GRIGIO	HUB CAP GREY	COUVRE-MOYEU GRIS	RADKAPPE GRAU	
3	22110348/0		COPRIMOZZO GRIGIO	HUB CAP GREY	COUVRE-MOYEU GRIS	RADKAPPE GRAU	
4	22110382/0		COPRIMOZZO GRIGIO	HUB CAP GREY	COUVRE-MOYEU GRIS	RADKAPPE GRAU	
5	22110417/0		COPRIMOZZO GRIGIO	HUB CAP GREY	COUVRE-MOYEU GRIS	RADKAPPE GRAU	
6	22110496/0		COPRIMOZZO GRIGIO	HUB CAP GREY	COUVRE-MOYEU GRIS	RADKAPPE GRAU	
7	22110494/0		COPRIMOZZO GRIGIO	HUB CAP GREY	COUVRE-MOYEU GRIS	RADKAPPE GRAU	
8	22110492/0		COPRIMOZZO GRIGIO	HUB CAP GREY	COUVRE-MOYEU GRIS	RADKAPPE GRAU	

contact@eric-nature.com