

ST. S.P.A.

MONACO K (2015)

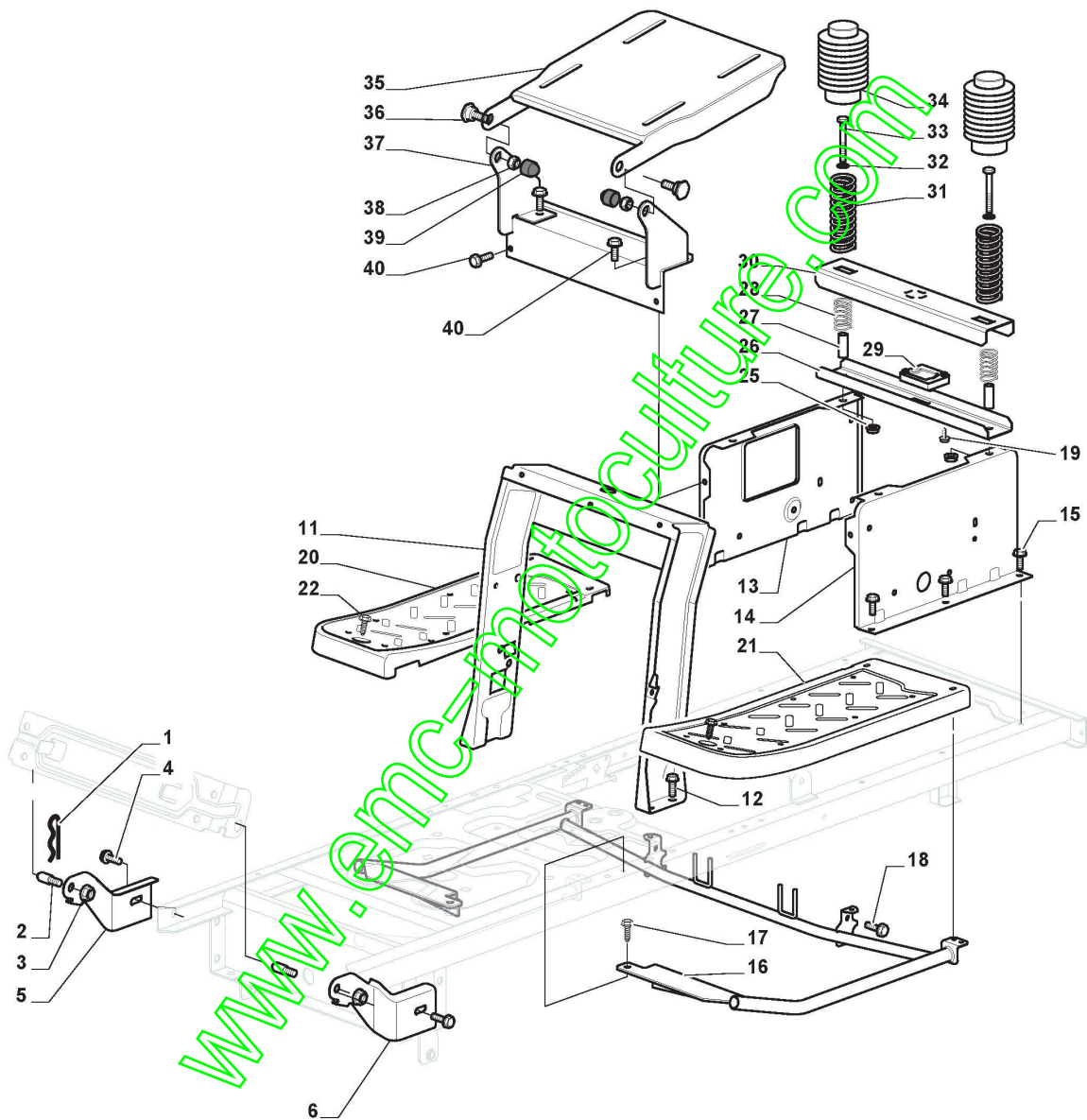
2T1210573/UVT

Spare parts list
Reservdelar
Repuestos
Ersatzteile
Pièces détachées
Reserve onderdelen
Catalogo ricambi

www.emc-motoculture.com

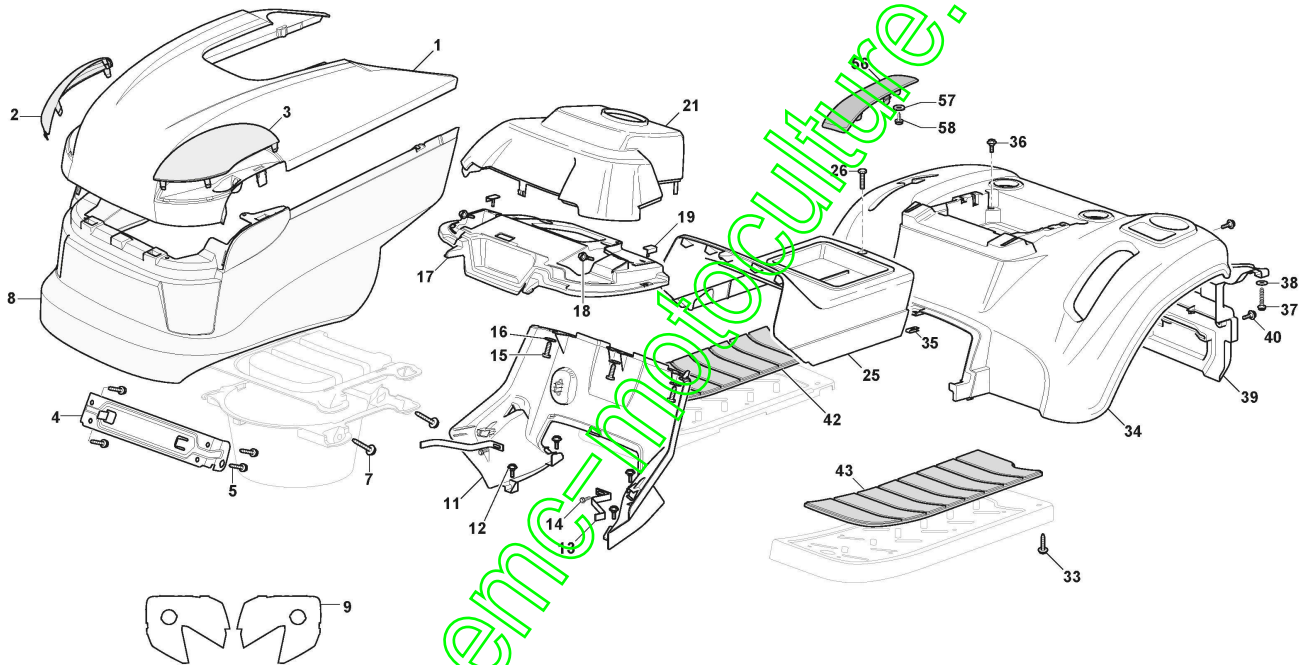
- Use ST. S.p.A. Genuine Spare Parts specified in the parts list for repair and/or replacement.
- The contents described in the parts list may change due to improvement.
- The drawings of the spare parts are only indicative And might Not represent the part in question exactly.
- The indications "right" - "left" - "front" - "rear" refer to the position of the operator when using the machine.
- When placing orders of parts for repair And/Or replacement, make sure that the illustrated parts list is the one applying to the machine's year of manufacture, as shown on the identification plate attached to the machine.

All rights reserved. No part Of this material may be reproduced Or transmitted, in any form Or by any means, electronic Or mechanical, including photocopying, recording Or by any information storage And retrieval system, without permission in writing from ST. S.p.A.



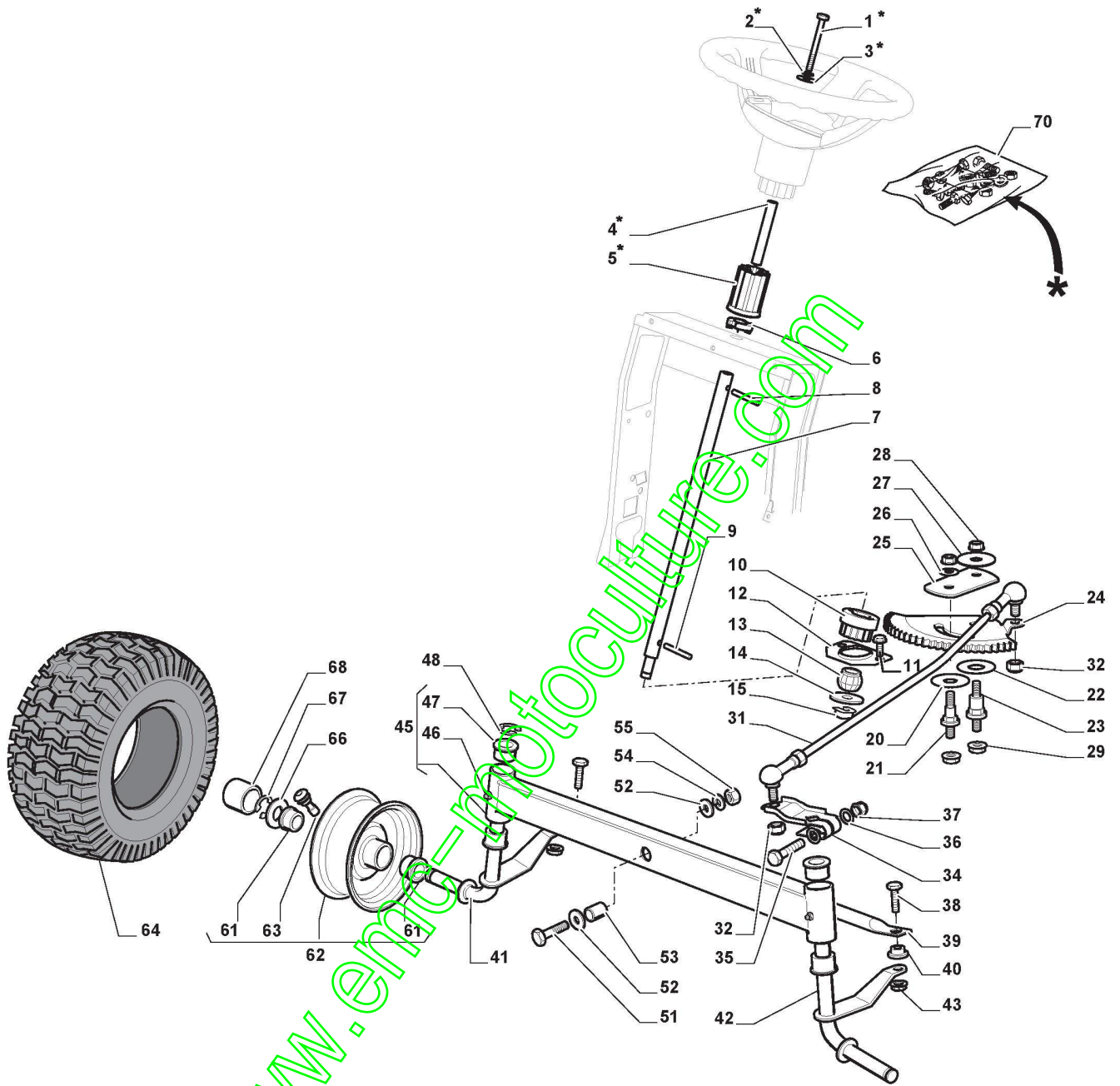
Chassis

| Réf. N° | Q.té : | Code article | Description | Articles | De | Jusqu'à |
|---------|--------|--------------|---------------------------|------------------------|-----------------------|---------|
| 1 | 1 | 124487998/0 | Goupille | | | |
| 2 | 2 | 125510079/1 | Pivot | | | To S/N |
| 2 | 2 | 125510169/0 | Pivot | | From S/N 19DA3RON | |
| 3 | 2 | 112154210/0 | Ecrou | | 003315 | To |
| 3 | 2 | 112155000/0 | Ecrou | | From | |
| 4 | 2 | 112735599/0 | Vis | | 01-Septem ber-2013 | |
| 5 | 1 | 325547225/0 | Plaquette Droit | | | |
| 6 | 1 | 325547227/0 | Plaquette Gauche | | | |
| 11 | 1 | 382785169/1 | Support Tube De Direction | | | |
| 12 | 4 | 125943009/0 | Vis | | | |
| 13 | 1 | 325785331/1 | Support Siege Droit | | | |
| 14 | 1 | 325785333/1 | Support Siege Gauche | | | |
| 15 | 6 | 125943009/0 | Vis | | | |
| 16 | 1 | 382785197/0 | Support Marchepied | For Hydrostatic Models | | |
| 17 | 2 | 125943009/0 | Vis | | | |
| 18 | 2 | 125943009/0 | Vis | | | |
| 19 | 2 | 112728686/0 | Vis | | | |
| 20 | 1 | 325500041/1 | Marchepied Droit | | | |
| 21 | 1 | 325500043/1 | Marchepied Gauche | | | |
| 22 | 2 | 112735599/0 | Vis | | | |
| 25 | 2 | 112293201/0 | Ecrou | | | |
| 26 | 1 | 325820109/0 | Support Siege | | | |
| 26 | 1 | 325820109/1 | Support Siege | | | |
| 27 | 2 | 125160048/0 | Entretoise | | | |
| 28 | 2 | 125430263/0 | Ressort | | | |
| 29 | 1 | 325785379/0 | Support | | | To |
| 29 | 1 | 325785379/1 | Support | | From | |
| 30 | 1 | 325820111/1 | Switch Comand Cross | | 01-Septem ber-2013 | |
| 31 | 2 | 125430264/0 | Ressort | | | |
| 32 | 2 | 112521350/0 | Rondelle | | | |
| 33 | 2 | 112691400/0 | Vis | | | |
| 34 | 2 | 325122002/0 | Protecteur | | | |
| 35 | 1 | 382547061/0 | Plaquette | | | |
| 36 | 2 | 122524970/2 | Pivot | | | To |
| 36 | 2 | 122524970/3 | Goupille | | From | |
| 37 | 1 | 382820151/0 | Support Siege | | 01-Septem ber-2014 | To S/N |
| 37 | 1 | 382820151/1 | Support Siege | | From S/N | |
| 38 | 2 | 112155010/0 | Ecrou | | 20EA3RON | |
| 39 | 2 | 118203854/0 | Capot | | 000612 | |
| 40 | 4 | 125943009/0 | Vis | | | |



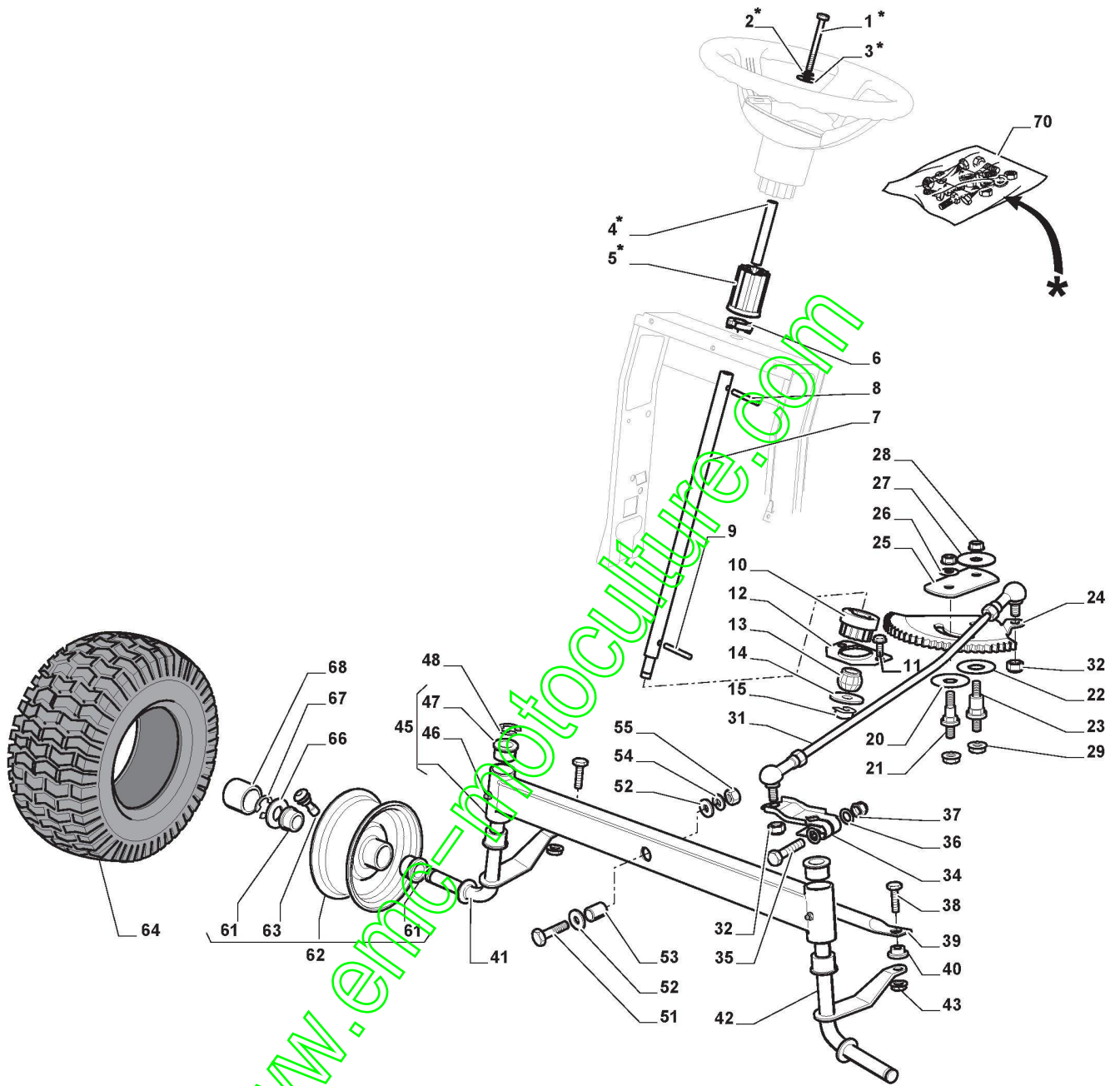
Carrosserie

| Réf. N° | Q.té : | Code article | Description | Articles | De | Jusqu'à |
|---------|--------|--------------|----------------------------|---|------------------------|-------------------|
| 2 | 1 | 325410901/0 | Panneau Droit | | | |
| 3 | 1 | 325410902/0 | Panneau Gauche | | | |
| 4 | 1 | 325785365/0 | Support Capot | | | |
| 5 | 4 | 112735403/0 | Vis | | | |
| 7 | 4 | 112728692/0 | Vis | | | |
| 8 | 1 | 325076911/0 | Capot Inferieure | | From 01-September-2013 | To 31-August-2015 |
| 8 | 1 | 325076911/1 | Capot Inferieure | | From 01-September-2017 | To 31-August-2019 |
| 9 | 1 | 114365476/1 | Autocollant Parabole Phare | | | |
| 11 | 1 | 325785298/0 | Support Tableau Comm. | | | |
| 12 | 4 | 125943010/0 | Vis | | | |
| 13 | 2 | 325270325/0 | Guide | | | |
| 14 | 2 | 112735599/0 | Vis | | | |
| 15 | 3 | 112735406/0 | Vis | | | |
| 16 | 3 | 112523040/0 | Rondelle | | | |
| 17 | 1 | 325120202/1 | Console | | | To 31-August-2011 |
| 17 | 1 | 325120209/0 | Console | | From 01-September-2014 | To 31-August-2015 |
| 17 | 1 | 325120259/0 | Console | | From 01-September-2017 | To 31-August-2019 |
| 17 | 1 | 325120259/1 | Console | | | |
| 17 | 1 | 325120259/2 | Console | | | |
| 18 | 2 | 125943010/0 | Vis | | From 01-September-2017 | To 31-August-2019 |
| 19 | 2 | 325260003/0 | Caoutchouc | | | |
| 21 | 1 | 325120203/0 | Couverture de tableau | | | |
| 26 | 1 | 125943010/0 | Vis | | | |
| 33 | 4 | 112735406/0 | Vis | | | |
| 35 | 1 | 112437506/0 | Plaquette | | | |
| 36 | 2 | 125943010/0 | Vis | | | |
| 37 | 2 | 112735406/0 | Vis | | | |
| 38 | 2 | 112523040/0 | Rondelle | | | |
| 39 | 1 | 325547208/1 | Plaquette | | | To 31-August-2013 |
| 39 | 1 | 325547208/2 | Plaquette | | From 01-September-2017 | To 31-August-2019 |
| 40 | 2 | 125943010/0 | Vis | | | |
| 42 | 1 | 325110384/0 | Couvre Marche pied Droit | As Optional - Not present on all assortment | | |
| 43 | 1 | 325110385/0 | Couvre Marche pied Gauche | As Optional - Not present on all assortment | | |
| 56 | 1 | 325207190/0 | Couvercle | | | To 31-August-2011 |
| 56 | 1 | 325207190/1 | Couvercle | | From 01-January-2021 | To 31-August-2021 |
| 57 | 4 | 112523050/0 | Rondelle | | | |
| 58 | 2 | 112735403/0 | Vis | | | |



Barre De Direction

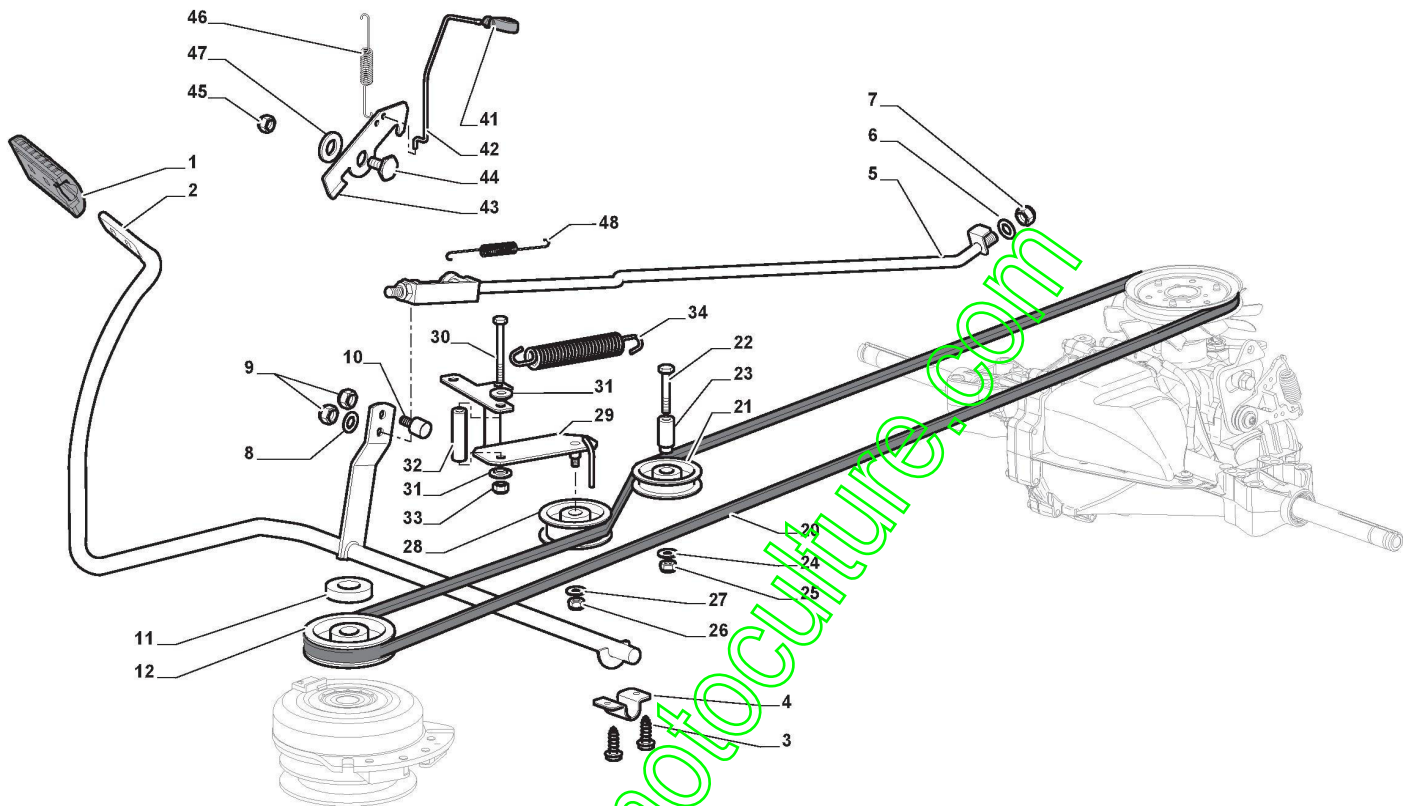
| Réf. N° | Q.té : | Code article | Description | Articles | De | Jusqu'à |
|---------|--------|--------------|-------------------------------------|----------|-------------------------------|---------|
| 1 | 1 | 112692050/0 | Vis | | | |
| 2 | 1 | 112540260/0 | Rondelle | | | |
| 3 | 1 | 112523070/0 | Rondelle | | | |
| 4 | 1 | 125160047/0 | Entretoise | | | |
| 5 | 1 | 325785318/0 | Support | | | |
| 6 | 1 | 325038008/0 | Douille | | | |
| 7 | 1 | 125520007/0 | Tube De Direction | | | |
| 8 | 1 | 112620300/0 | Ressort | | | |
| 9 | 1 | 112622650/0 | Goupille | | | |
| 10 | 1 | 125570003/0 | Pignon | | | |
| 11 | 2 | 127943051/0 | Vis | | | |
| 12 | 1 | 325785213/1 | Support | | | |
| 13 | 1 | 325743000/0 | Joint | | | |
| 14 | 1 | 112521370/0 | Rondelle | | | |
| 15 | 1 | 112436030/0 | Plaquette | | | |
| 20 | 1 | 322672151/0 | Rondelle Antifriction | | | |
| 21 | 1 | 125510104/0 | Pivot | | | |
| 22 | 1 | 125670023/0 | Rondelle | | | |
| 23 | 1 | 125510109/0 | Pivot | | | |
| 24 | 1 | 325735519/0 | Secteur Direction | | | |
| 25 | 1 | 325547233/0 | Plaquette | | | |
| 26 | 1 | 112369500/0 | Disque Elastique | | | |
| 27 | 1 | 122160400/0 | Disque Elastique | | | |
| 28 | 2 | 112155010/0 | Ecrou | | | |
| 29 | 2 | 112154210/0 | Ecrou | | | |
| 31 | 1 | 382000566/1 | Barre De Direction | | | |
| 32 | 2 | 112156602/0 | Ecrou | | | |
| 34 | 1 | 325318243/0 | Levier | | | |
| 35 | 1 | 112692390/0 | Vis | | | |
| 36 | 2 | 112521360/0 | Rondelle | | | |
| 37 | 1 | 112156602/0 | Ecrou | | | |
| 38 | 2 | 125510103/0 | Pivot | | | |
| 39 | 1 | 325840029/0 | Tirant | | | |
| 40 | 2 | 325038007/0 | Douille | | | |
| 41 | 1 | 382230373/0 | Fuseau Droit | | | |
| 42 | 1 | 382230375/0 | Fuseau Gauche | | | |
| 43 | 2 | 112155000/0 | Ecrou | | | |
| 45 | 1 | 382034030/0 | Balancier Avec Douille Et Graisseur | | | |
| 46 | 2 | 112379511/0 | Graisseur | | | |
| 47 | 4 | 125034002/1 | Douille | | | |
| 48 | 1 | 112001010/0 | Anneau Benzing | | | |
| 51 | 1 | 112692695/0 | Vis | | | |
| 52 | 2 | 112523100/0 | Rondelle | | | |
| 53 | 1 | 125160016/0 | Entretoise | | | To |
| 53 | 1 | 125160016/1 | Entretoise | | From 01-Septem ber-2013 | |
| 54 | 1 | 112587100/0 | Grower | | | |
| 55 | 1 | 112295300/0 | Ecrou | | | |
| 61 | 4 | 125122200/2 | Roulement | | | |



Barre De Direction

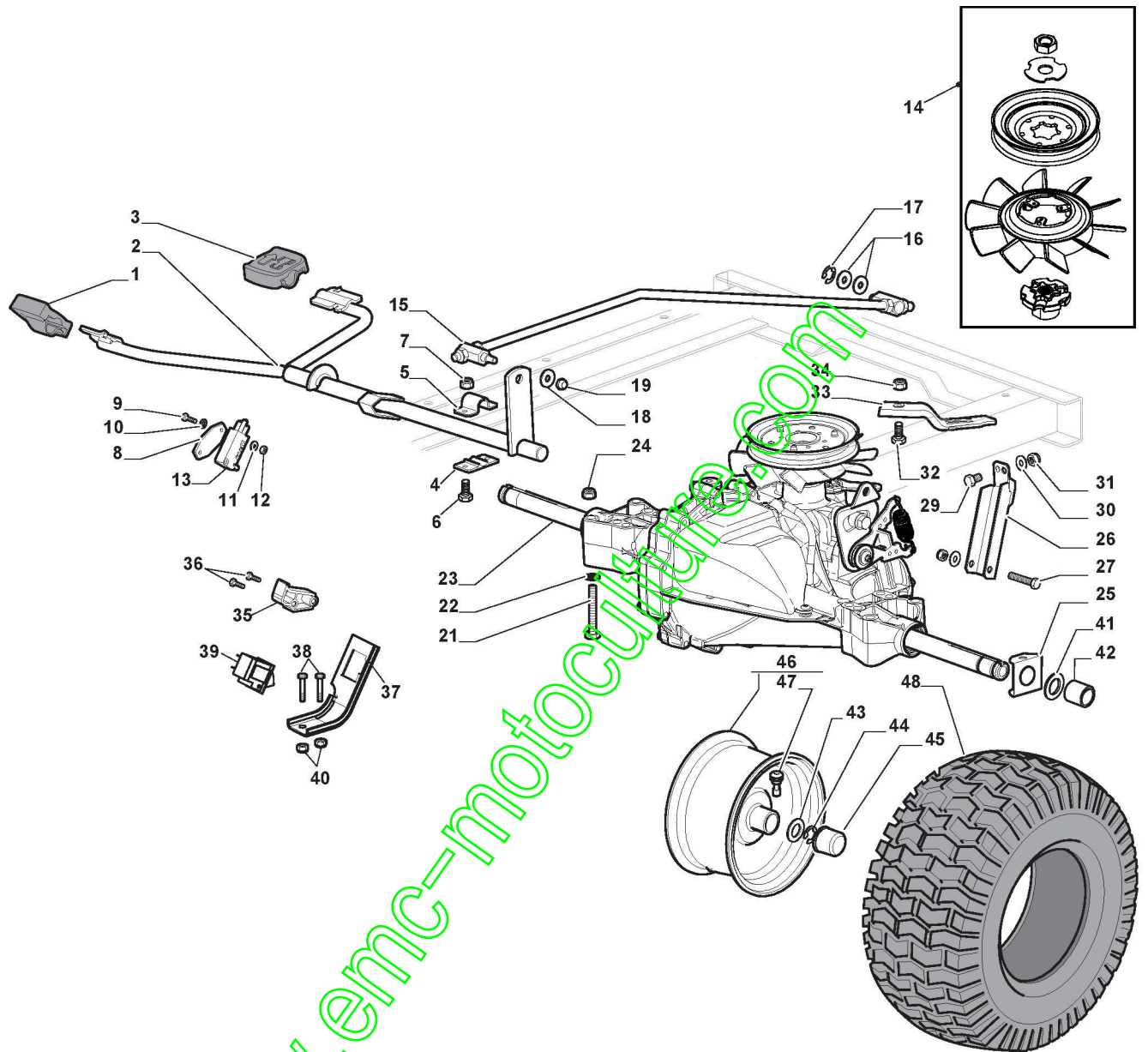
| Réf. N° | Q.té : | Code article | Description | Articles | De | Jusqu'à |
|---------|--------|--------------|---------------------------|--------------------|---------------------------|----------------|
| 62 | 2 | 182000598/0 | Bandage Roue | | | |
| 63 | 2 | 125950000/0 | Vanne | | | |
| 64 | 2 | 125590019/0 | Pneu 15x6.00-6 P512 WANDA | For other ST Brand | From 01-September-2016 | To |
| 64 | 2 | 127590066/0 | Pneu 15x6.00-6 WANDA | For other ST Brand | | To |
| 66 | 2 | 125670005/1 | Rondelle | | | To |
| 66 | 2 | 125670005/2 | Rondelle | | From | 31-August-2014 |
| 67 | 2 | 112001010/0 | Anneau Benzing | | | |
| 68 | 2 | 322110233/0 | Couvre Moyeu | | | |
| 70 | 1 | 382180124/0 | Dotation Visserie | | | |

www.emc-motoculture.com



Commande Frein Et Boite De Vitesse

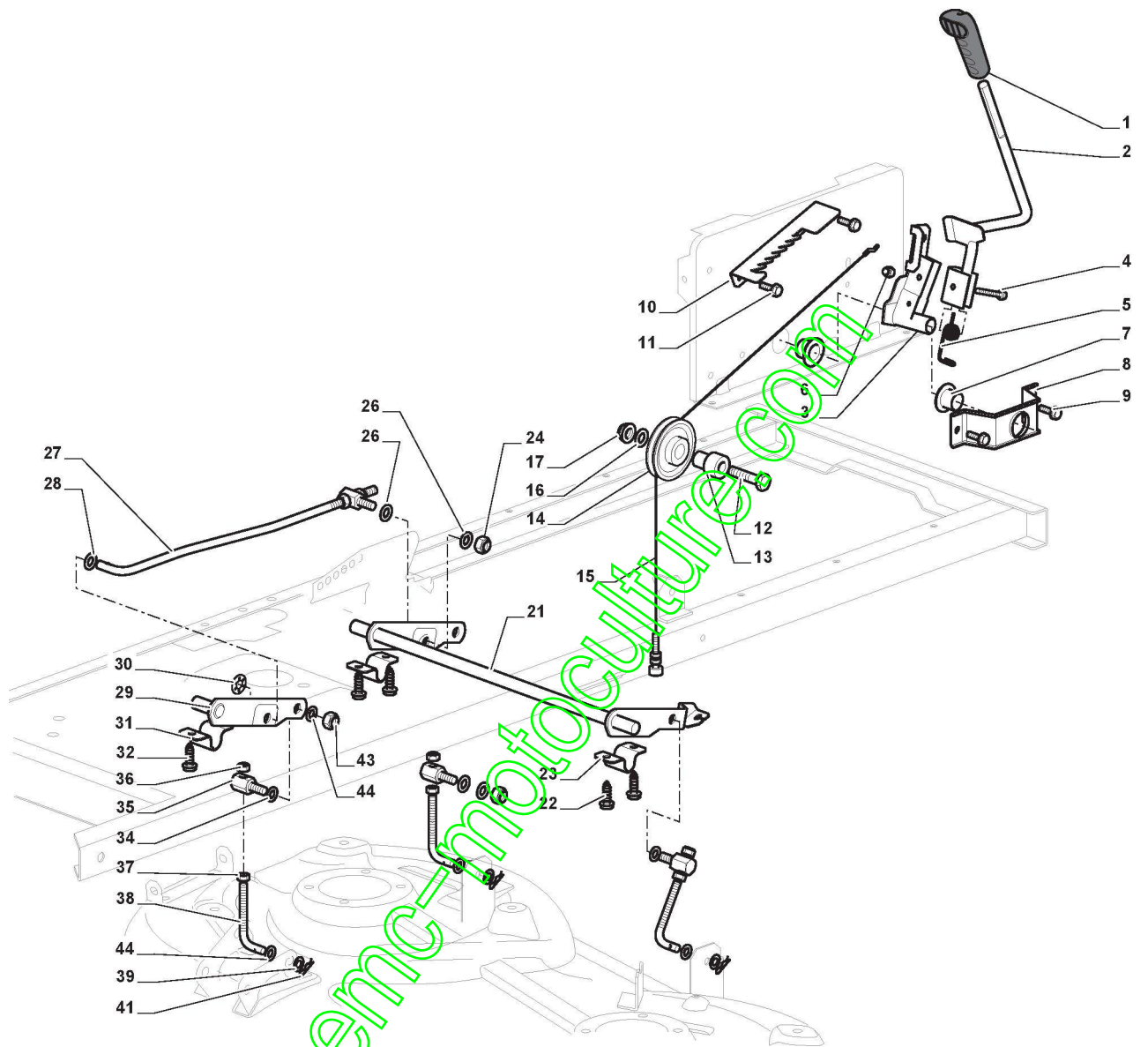
| Réf. N° | Q.té : | Code article | Description | Articles | De | Jusqu'à |
|---------|--------|--------------|-----------------------|----------|--------------------------------|--------------------|
| 1 | 1 | 325110409/0 | Couvre Etrier | | | |
| 2 | 1 | 382000641/0 | Pedal | | | To S/N |
| 2 | 1 | 382000641/1 | Pedal | | From S/N 19FA3RON 000275 | |
| 3 | 4 | 112735599/0 | Vis | | | |
| 4 | 2 | 325547231/0 | Plaquette | | | To S/N |
| 4 | 2 | 325547231/1 | Plaquette | | From S/N 20JA3RON 000566 | |
| 5 | 1 | 382000576/0 | Tige | | | |
| 6 | 1 | 112521360/0 | Rondelle | | | |
| 7 | 1 | 112156602/0 | Ecrou | | | |
| 8 | 1 | 325670011/0 | Rondelle Antifriccion | | | |
| 9 | 2 | 112155000/0 | Ecrou | | | |
| 10 | 1 | 125510116/0 | Pivot | | | To S/N |
| 10 | 1 | 125510166/0 | Pivot | | From S/N 19DA3RON 003315 | |
| 11 | 1 | 125160021/0 | Entretoise | | | |
| 12 | 1 | 125601577/0 | Poulie | | | |
| 20 | 1 | 135062003/0 | Courroie | | | To |
| 20 | 1 | 135062003/1 | Courroie | | From | |
| 21 | 1 | 125601555/0 | Poulie | | 01-Septem ber-2015 | To |
| 21 | 1 | 325601599/0 | Poulie | | From | |
| 22 | 1 | 112691400/0 | Vis | | 01-Septem ber-2013 | |
| 23 | 1 | 125160051/0 | Entretoise | | | To S/N |
| 23 | 1 | 125160083/0 | Entretoise | | S/N | 00088193 |
| 23 | 1 | 125160107/0 | Entretoise | | From S/N 19JA3RON 001862 | To S/N |
| 24 | 1 | 112523060/0 | Rondelle | | | |
| 25 | 1 | 112155000/0 | Ecrou | | | |
| 26 | 1 | 112155000/0 | Ecrou | | | |
| 27 | 1 | 112523060/0 | Rondelle | | | |
| 28 | 1 | 125601554/0 | Poulie | | | |
| 29 | 1 | 382318245/0 | Levier | | | |
| 30 | 1 | 112691600/0 | Vis | | | |
| 31 | 2 | 125038002/1 | Douille | | | To |
| 31 | 2 | 125038021/0 | Douille | | From | 31-August- 2016 |
| 32 | 1 | 125160027/0 | Entretoise | | | |
| 33 | 1 | 112155000/0 | Ecrou | | | |
| 34 | 1 | 125430262/0 | Ressort | | | |
| 41 | 1 | 125394509/1 | Poignée | | From | |
| 41 | 1 | 325394534/0 | Poignée | | | To |
| 42 | 1 | 125033083/0 | Tige | | | 31-August- 2013 |
| 42 | 1 | 125033113/0 | Tige | | From | |
| 43 | 1 | 325253011/0 | Accrochage | | 01-Septem ber-2013 | To |
| 43 | 1 | 325253011/1 | Accrochage | | From | |
| 44 | 1 | 122524970/2 | Pivot | | 01-Septem ber-2011 | To |
| 44 | 1 | 122524970/3 | Goupille | | From | |
| 45 | 1 | 112155000/0 | Ecrou | | 01-Septem ber-2014 | |
| 46 | 1 | 125430213/0 | Ressort | | | |
| 47 | 1 | 112523060/0 | Rondelle | | | |
| 48 | 1 | 125430269/1 | Ressort | | | |



www.emc-motoculture.com

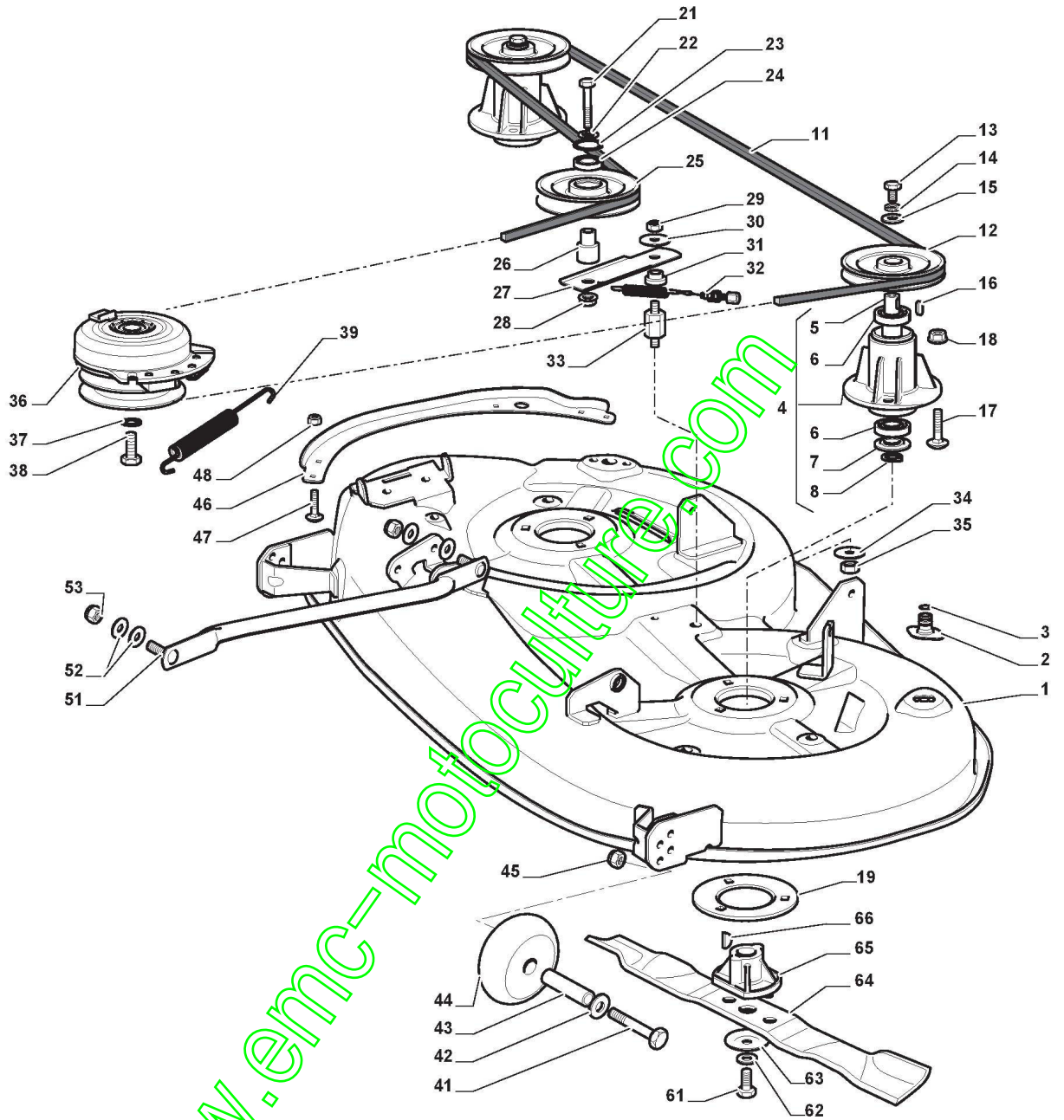
Transmission

| Réf. N° | Q.té : | Code article | Description | Articles | De | Jusqu'à |
|---------|--------|---------------|---|----------------------|----|---------|
| 1 | 1 | 325110274/0 | Couvre Etrier Avant | | | |
| 2 | 1 | 382000574/2 | Getriebepedal | | | |
| 3 | 1 | 325110331/0 | Couvre Etrier Arriere | | | |
| 4 | 2 | 325785350/0 | Support | | | |
| 5 | 2 | 325547231/0 | Plaquette | | | |
| 6 | 4 | 112735599/0 | Vis | | | |
| 7 | 4 | 112154510/0 | Ecrou | | | |
| 8 | 1 | 327546019/0 | Plaquette | | | |
| 9 | 2 | 112735602/0 | Vis | | | |
| 10 | 2 | 112540020/0 | Rondelle | | | |
| 11 | 2 | 112581100/0 | Grower | | | |
| 12 | 2 | 112290791/0 | Ecrou | | | |
| 13 | 1 | 119410609/1LC | Microinterrupteur | | | |
| 14 | 1 | 118802723/0 | Fan Kit | | | |
| 15 | 1 | 382000573/1 | Tige | | | |
| 16 | 2 | 325670011/0 | Rondelle Antifriction | | | |
| 17 | 1 | 112000940/0 | Anneau Benzing | | | |
| 18 | 1 | 112523040/0 | Rondelle | | | |
| 19 | 1 | 112154510/0 | Ecrou | | | |
| 21 | 4 | 112691600/0 | Vis | | | |
| 22 | 4 | 112521350/0 | Rondelle | | | |
| 23 | 1 | 118400919/2 | Axe Arriere (Hydro-Gear T2-Adbf-2X3C-17X1) | | | |
| 24 | 4 | 112155000/0 | Ecrou | | | |
| 25 | 2 | 325670026/0 | Rondelle | | | |
| 26 | 1 | 325785349/1 | Support | | | |
| 27 | 1 | 112691700/0 | Vis | | | |
| 29 | 1 | 112792611/0 | Vis | | | |
| 30 | 2 | 112523060/0 | Rondelle | | | |
| 31 | 2 | 112155000/0 | Ecrou | | | |
| 32 | 1 | 112791213/1 | Vis | | | |
| 33 | 1 | 325318251/0 | Levier | | | |
| 34 | 1 | 112154510/0 | Ecrou | | | |
| 35 | 1 | 325060034/1 | Came | | | |
| 36 | 2 | 112735403/0 | Vis | | | |
| 37 | 1 | 325774573/0 | Etrier | | | |
| 38 | 2 | 112791400/0 | Vis | | | |
| 39 | 1 | 119410614/0 | Microinterrupteur | | | |
| 40 | 2 | 112154510/0 | Ecrou | | | |
| 41 | 2 | 125670005/2 | Rondelle | | | |
| 42 | 2 | 125160058/0 | Entretoise | | | |
| 43 | 6 | 125670005/2 | Rondelle | | | |
| 44 | 2 | 112001010/0 | Anneau Benzing | | | |
| 45 | 2 | 322110233/0 | Couvre Moyeu | Standard Black Cover | | |
| 46 | 2 | 382000597/0 | Bandage Roue Arriere | | | |
| 47 | 2 | 125950000/0 | Vanne | | | |
| 48 | 2 | 125590015/0 | Pneu 18x8.50-8 P332 WANDA | | | |



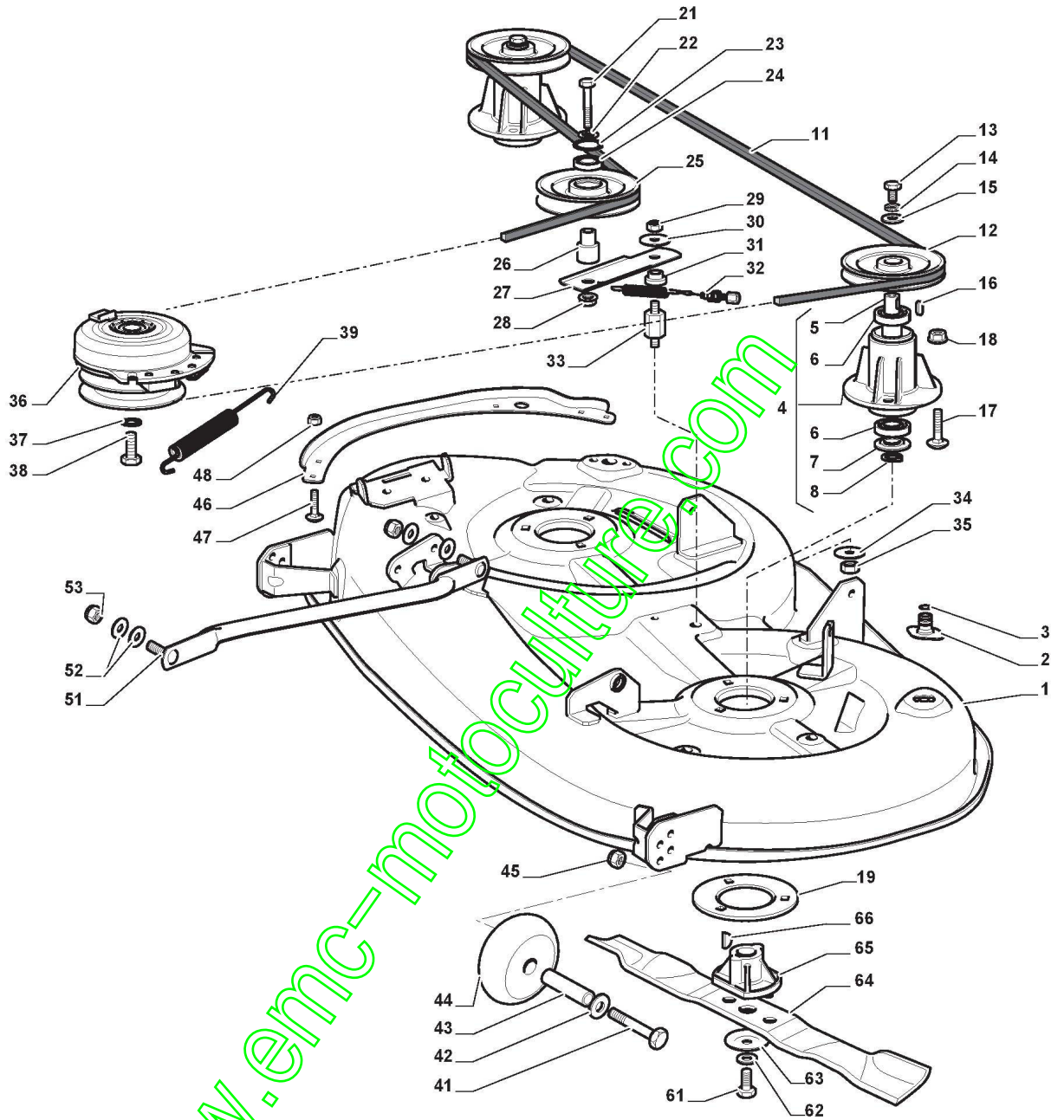
Soulevement Plateau De Coupe

| Réf. N° | Q.té : | Code article | Description | Articles | De | Jusqu'à |
|---------|--------|--------------|-----------------------|--|-------------------|--------------------|
| 1 | 1 | 325394533/0 | Poignée | | | |
| 2 | 1 | 382318229/0 | Levier | | | |
| 3 | 1 | 382318231/0 | Axe | | | |
| 4 | 1 | 112674700/0 | Vis | | | |
| 5 | 1 | 125430261/0 | Ressort | | | |
| 6 | 1 | 112154510/0 | Ecrou | | | |
| 7 | 2 | 325038006/0 | Douille | | | |
| 8 | 1 | 325785297/0 | Support | | | |
| 9 | 2 | 125943009/0 | Vis | | | |
| 10 | 1 | 325735515/0 | Secteur Direction | | | |
| 11 | 2 | 125943009/0 | Vis | | | |
| 12 | 1 | 112793701/0 | Vis | | | |
| 13 | 1 | 125040636/0 | Douille | | | |
| 14 | 1 | 125601579/0 | Poulie | | | |
| 15 | 1 | 382004620/0 | Fil | | | |
| 16 | 1 | 112523060/0 | Rondelle | | | |
| 17 | 1 | 112293201/0 | Ecrou | | | |
| 21 | 1 | 382318239/0 | Axe | | | |
| 22 | 4 | 112735599/0 | Vis | | | |
| 23 | 2 | 325547231/0 | Plaquette | | | |
| 24 | 1 | 112155000/0 | Ecrou | | | |
| 26 | 2 | 325670011/0 | Rondelle Antifriccion | | | |
| 27 | 1 | 382000569/0 | Tige De Connexion | | | To |
| 27 | 1 | 382000569/1 | Tige De Connexion | for the replacement check Service Bulletin RO_043 | From 01-Septem | 31-August- 2011 |
| 28 | 1 | 112521350/0 | Rondelle | | | |
| 29 | 1 | 382318237/0 | Axe | | | |
| 30 | 1 | 112604899/0 | Fixateur A Couronne | | | |
| 31 | 1 | 325547231/0 | Plaquette | | | |
| 32 | 2 | 112735599/0 | Vis | | | |
| 34 | 3 | 325670008/1 | Rondelle | | | |
| 35 | 3 | 125510107/1 | Pivot | | | |
| 36 | 3 | 112156602/0 | Ecrou | | | |
| 37 | 3 | 112295200/0 | Ecrou | | | |
| 38 | 3 | 125840012/0 | Tirant | | | |
| 39 | 3 | 112523060/0 | Rondelle | | | |
| 41 | 3 | 124487998/0 | Goupille | | | |
| 43 | 3 | 112156602/0 | Ecrou | | | |
| 44 | 6 | 325670008/1 | Rondelle | | | |



Plateau De Coupe avec Embrayage Electromagnétique

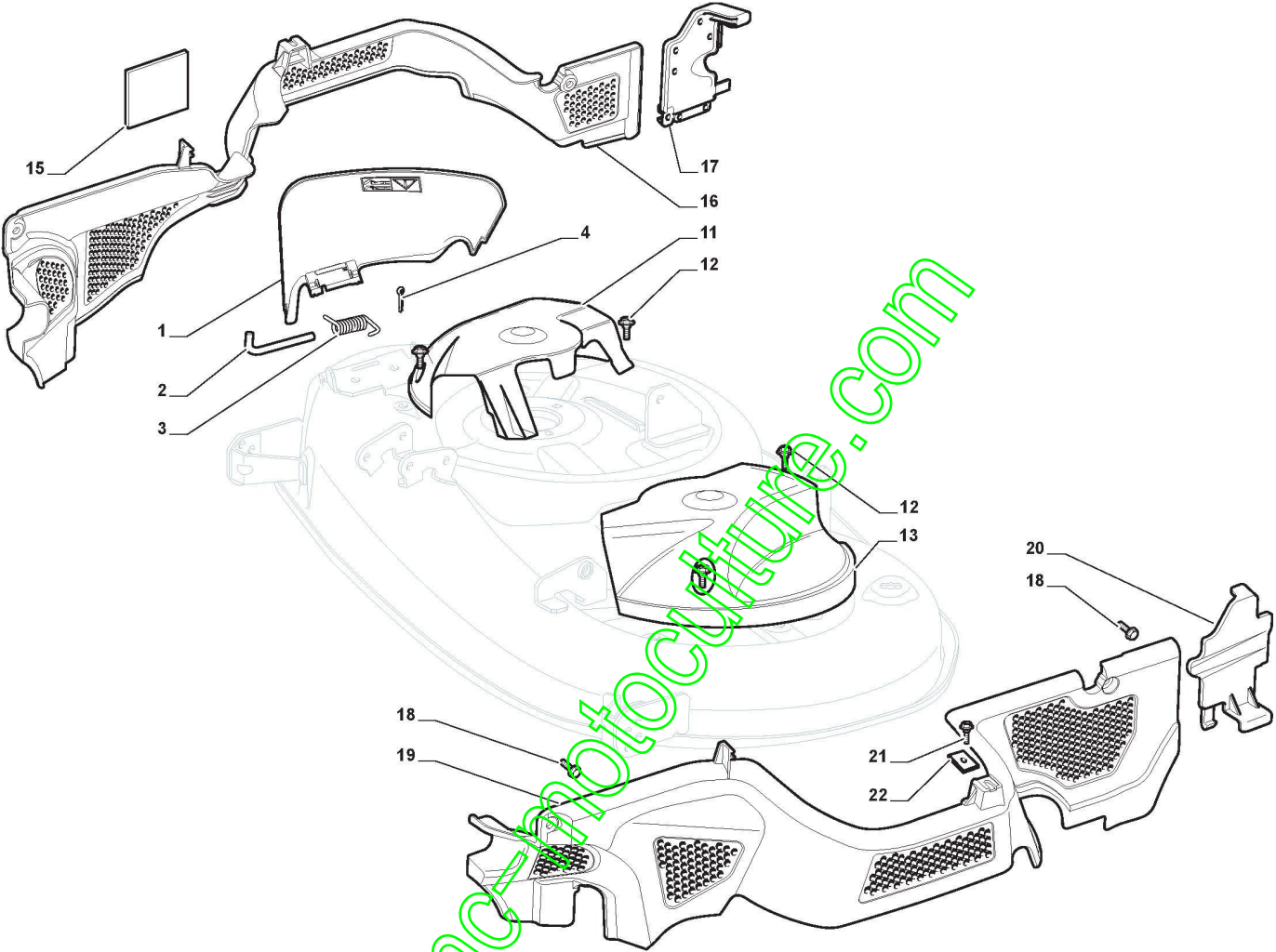
| Réf. N° | Q.té : | Code article | Description | Articles | De | Jusqu'à |
|---------|--------|--------------|-----------------------|----------|---------------------------|----------------------|
| 1 | 1 | 382565069/0 | Plateau De Coupe Noir | | | To 31-August-2014 |
| 1 | 1 | 382565069/2 | Plateau De Coupe Noir | | From 01-September-2014 | |
| 2 | 2 | 325033086/0 | Raccord Tuyau D'Eau | | | |
| 3 | 2 | 119035000/0 | Joint Or | | | |
| 4 | 2 | 382207204/0 | Ensemble Bride | | | To 31-August-2015 |
| 4 | 2 | 382207204/1 | Ensemble Bride | | From 01-September-2015 | |
| 5 | 2 | 125020804/0 | Arbre | | | |
| 6 | 4 | 119216040/0 | Roulement | | From 01-September-2014 | To 31-August-2014 |
| 6 | 4 | 119216047/0 | Roulement | | | To 31-August-2014 |
| 7 | 2 | 325160501/0 | Protege-Poussiere | | | |
| 8 | 2 | 112609260/0 | Seeger | | | |
| 11 | 1 | 135061506/0 | Courroie | | | |
| 12 | 2 | 125601571/0 | Poulie | | | |
| 13 | 2 | 112793102/0 | Vis | | | |
| 14 | 2 | 112540260/0 | Rondelle | | | |
| 15 | 2 | 125670007/0 | Rondelle | | | |
| 16 | 2 | 112139480/0 | Clavette | | | |
| 17 | 6 | 112818700/0 | Vis | | | |
| 18 | 6 | 112154210/0 | Ecrou | | | |
| 19 | 2 | 325160505/0 | Disque | | | |
| 21 | 1 | 112691800/0 | Vis | | | |
| 22 | 1 | 112524010/0 | Rondelle | | | |
| 23 | 1 | 112610800/0 | Anneau Ressort | | | |
| 24 | 1 | 119216041/0 | Roulement | | From 01-September-2014 | To 31-August-2014 |
| 24 | 1 | 119216048/0 | Roulement | | | To 31-August-2014 |
| 25 | 1 | 125601586/0 | Poulie | | | |
| 26 | 1 | 125160056/0 | Entretoise | | | |
| 27 | 1 | 325318255/0 | Levier | | | |
| 28 | 1 | 112293201/0 | Ecrou | | | |
| 29 | 1 | 112155020/0 | Ecrou | | | |
| 30 | 1 | 125670022/0 | Rondelle | | | |
| 31 | 1 | 125040635/0 | Douille | | | |
| 32 | 1 | 382004619/0 | Fil | | | |
| 33 | 1 | 125160057/0 | Entretoise | | | To 31-August-2014 |
| 33 | 1 | 125160057/1 | Entretoise | | From 01-September-2014 | |
| 34 | 1 | 112523080/0 | Rondelle | | | |
| 35 | 1 | 112156602/0 | Ecrou | | | |
| 36 | 1 | 118399062/0 | Friction | | | |
| 37 | 1 | 112543000/0 | Rondelle | | | |
| 38 | 1 | 112737320/0 | Vis | | | |
| 39 | 1 | 122430216/0 | Rondelle De Tension | | | To 31-August-2010 |
| 39 | 1 | 122430216/1 | Ressort | | From 01-September-2010 | |
| 39 | 1 | 125430277/0 | Ressort | | From 01-September-2011 | |
| 41 | 2 | 112692050/0 | Vis | | | |
| 42 | 2 | 112523060/0 | Rondelle | | | |
| 43 | 2 | 125510072/0 | Pivot | | | |
| 44 | 2 | 182700001/0 | Roulettes Antiscalp | | | |
| 45 | 2 | 112293201/0 | Ecrou | | | |



Plateau De Coupe avec Embrayage Electromagnétique

| Réf. N° | Q.té : | Code article | Description | Articles | De | Jusqu'à |
|---------|--------|--------------|------------------|----------|----|---------|
| 46 | 1 | 325547259/0 | Renforcement | | | |
| 47 | 5 | 112815200/0 | Vis | | | |
| 48 | 5 | 112154510/0 | Ecrou | | | |
| 51 | 2 | 382000565/0 | Tige Balancier | | | |
| 52 | 8 | 325670008/1 | Rondelle | | | |
| 53 | 4 | 112156602/0 | Ecrou | | | |
| 61 | 2 | 112735694/0 | Vis | | | |
| 62 | 2 | 112523080/0 | Rondelle | | | |
| 63 | 2 | 122160400/0 | Disque Elastique | | | |
| 64 | 2 | 182004357/0 | Lame, Mulching | | | |
| 65 | 2 | 125463200/0 | Moyeu Lame | | | |
| 66 | 2 | 112139100/0 | Languette | | | |

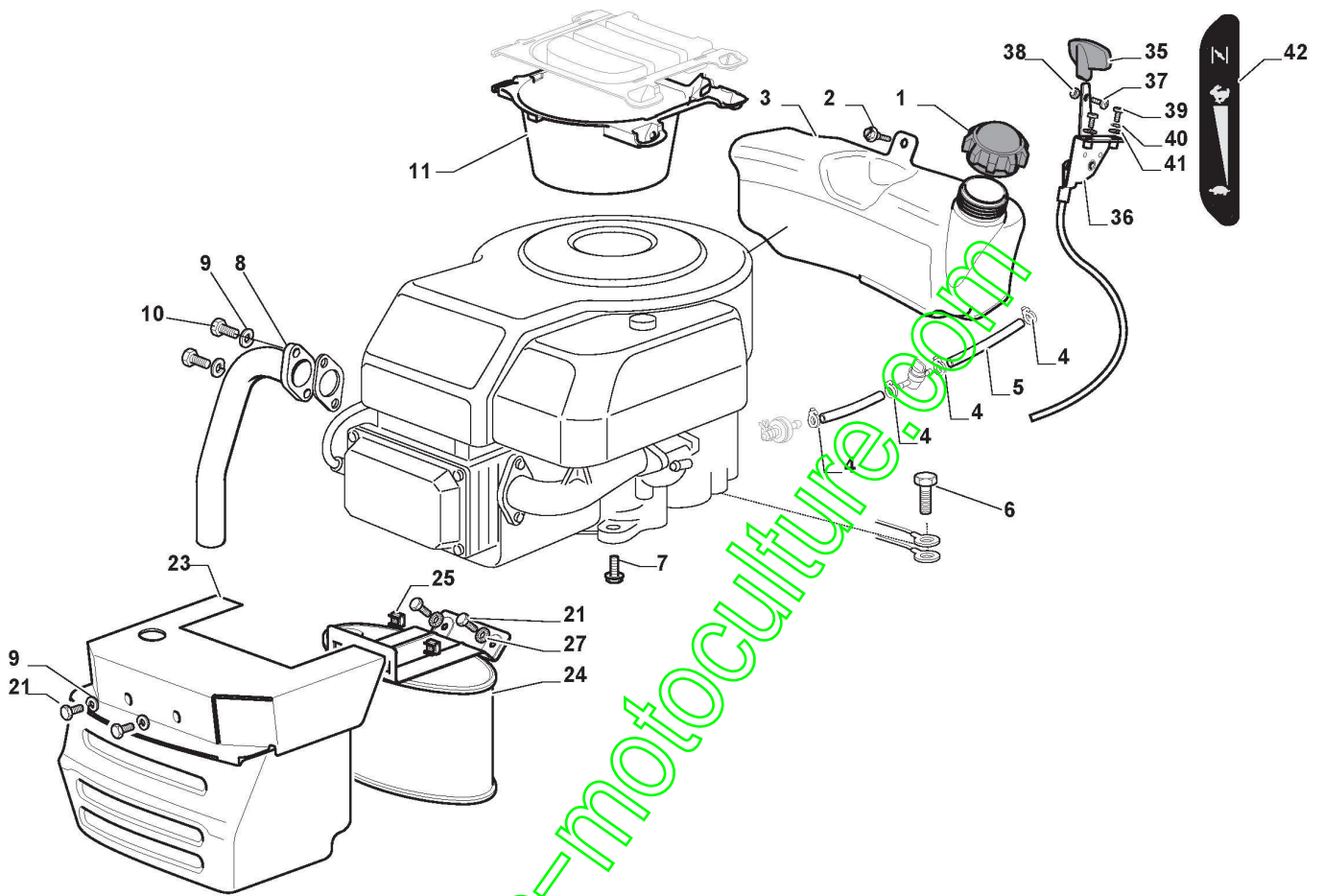
www.emc-motoculture.com



Protections Courroie

| Réf. N° | Q.té : | Code article | Description | Articles | De | Jusqu'à |
|---------|--------|--------------|-----------------------------------|----------|------|-------------------|
| 1 | 1 | 325600087/0 | Protection En Sortie | | | To |
| 1 | 1 | 325600087/1 | Protection En Sortie | | From | 31-August-2013 |
| 2 | 1 | 125510073/0 | Pivot | | | |
| 3 | 1 | 125430242/1 | Ressort | | | |
| 4 | 1 | 112141418/0 | Goupille | | | |
| 11 | 1 | 325600088/0 | Carter Protection Courroie Droit | | | |
| 12 | 4 | 125943006/0 | Vis | | | |
| 13 | 1 | 325600089/0 | Carter Protection Courroie Gauche | | | To |
| 13 | 1 | 325600089/1 | Carter Protection Courroie Gauche | | From | 01-September-2016 |
| 16 | 1 | 325060154/0 | Carter | | | |
| 17 | 1 | 325600082/0 | Protection | | | |
| 18 | 4 | 125943011/0 | Vis | | | |
| 19 | 1 | 325060155/0 | Carter | | | |
| 20 | 1 | 325600083/0 | Protection | | | |
| 21 | 2 | 127943051/0 | Vis | | | |
| 22 | 2 | 112437506/0 | Plaquette | | | |

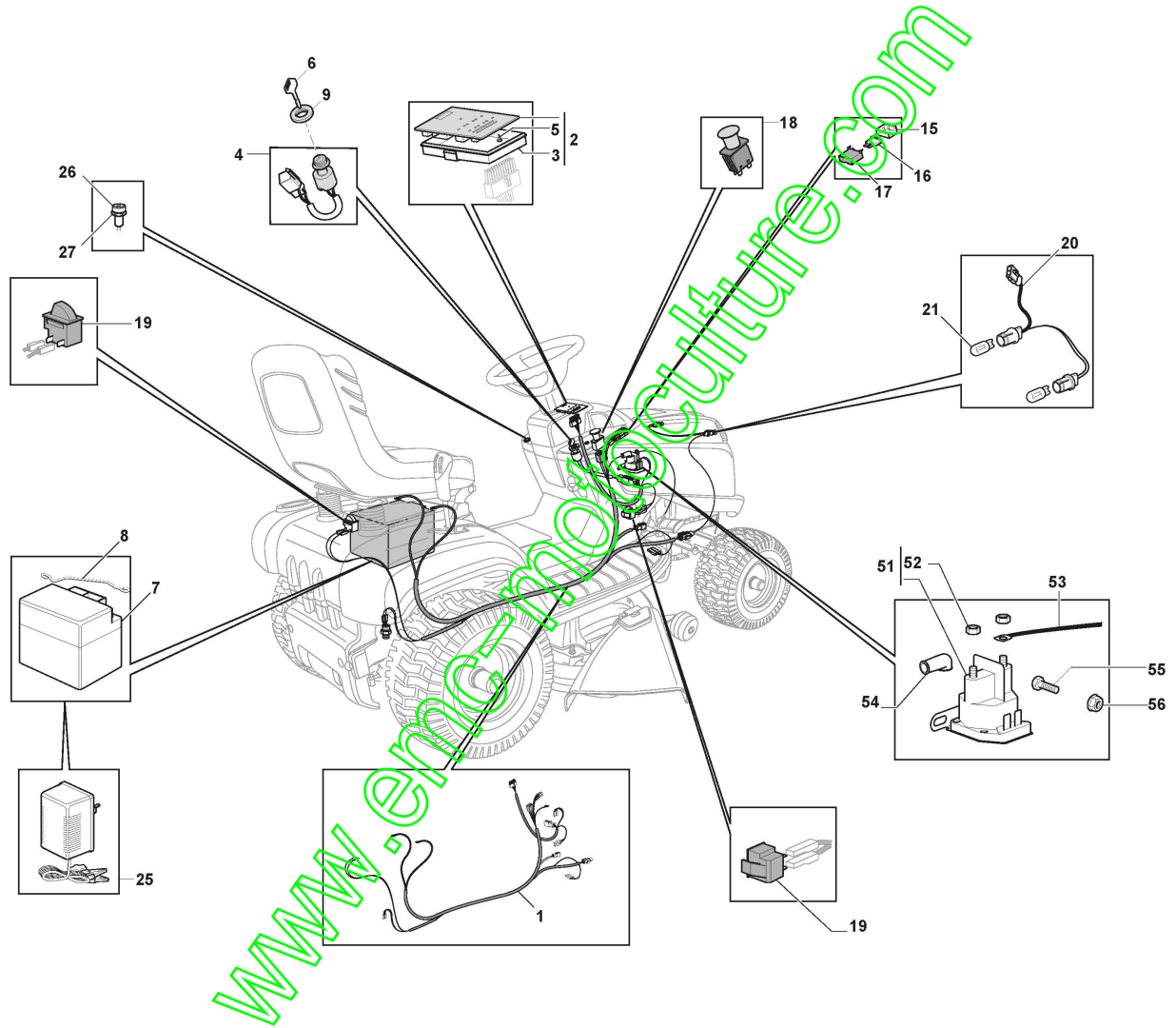
www.emc-motoculture.com



Moteur - Kohler

| Réf. N° | Q.té : | Code article | Description | Articles | De | Jusqu'à |
|---------|--------|--------------|--------------------------------|----------|-------------------------------|---------|
| 1 | 1 | 125795001/1 | Bouchon | | | |
| 2 | 4 | 125943010/0 | Vis | | | |
| 3 | 1 | 325735126/0 | Réservoir à carburant | | | |
| 4 | 1 | 118375051/1 | Fixation De Cable | | | |
| 5 | 1 | 325869057/0 | Tube De Connexion | | | |
| 6 | 1 | 112735599/0 | Vis | | | |
| 7 | 4 | 112735109/2 | Vis | | | |
| 8 | 1 | 118738227/0 | Tuyau de raccord d'échappement | | | |
| 9 | 6 | 112540260/0 | Rondelle | | | |
| 10 | 2 | 112737450/0 | Vis | | | |
| 11 | 1 | 325108045/1 | Convoyeur | | | |
| 21 | 2 | 112792611/0 | Vis | | | |
| 23 | 1 | 382598063/0 | Protection Silencieux | | | |
| 24 | 1 | 182750004/0 | Silencieux Monocylindrique | | | To |
| 24 | 1 | 182750010/0 | Silencieux | | From 01-Septem ber-2011 | |
| 25 | 1 | 112360425/0 | Ecrou | | | |
| 27 | 2 | 112540260/0 | Rondelle | | | |
| 35 | 1 | 325394531/0 | Poignée | | | |
| 36 | 1 | 182000216/0 | Accelérateur | | | |
| 37 | 1 | 112726389/0 | Vis | | | |
| 38 | 1 | 112290800/0 | Ecrou | | | |
| 39 | 2 | 112726389/0 | Vis | | | |
| 40 | 2 | 112540020/0 | Rondelle | | | |
| 41 | 2 | 112521310/0 | Rondelle | | | |
| 42 | 1 | 114363697/0 | Etiquette | | | |

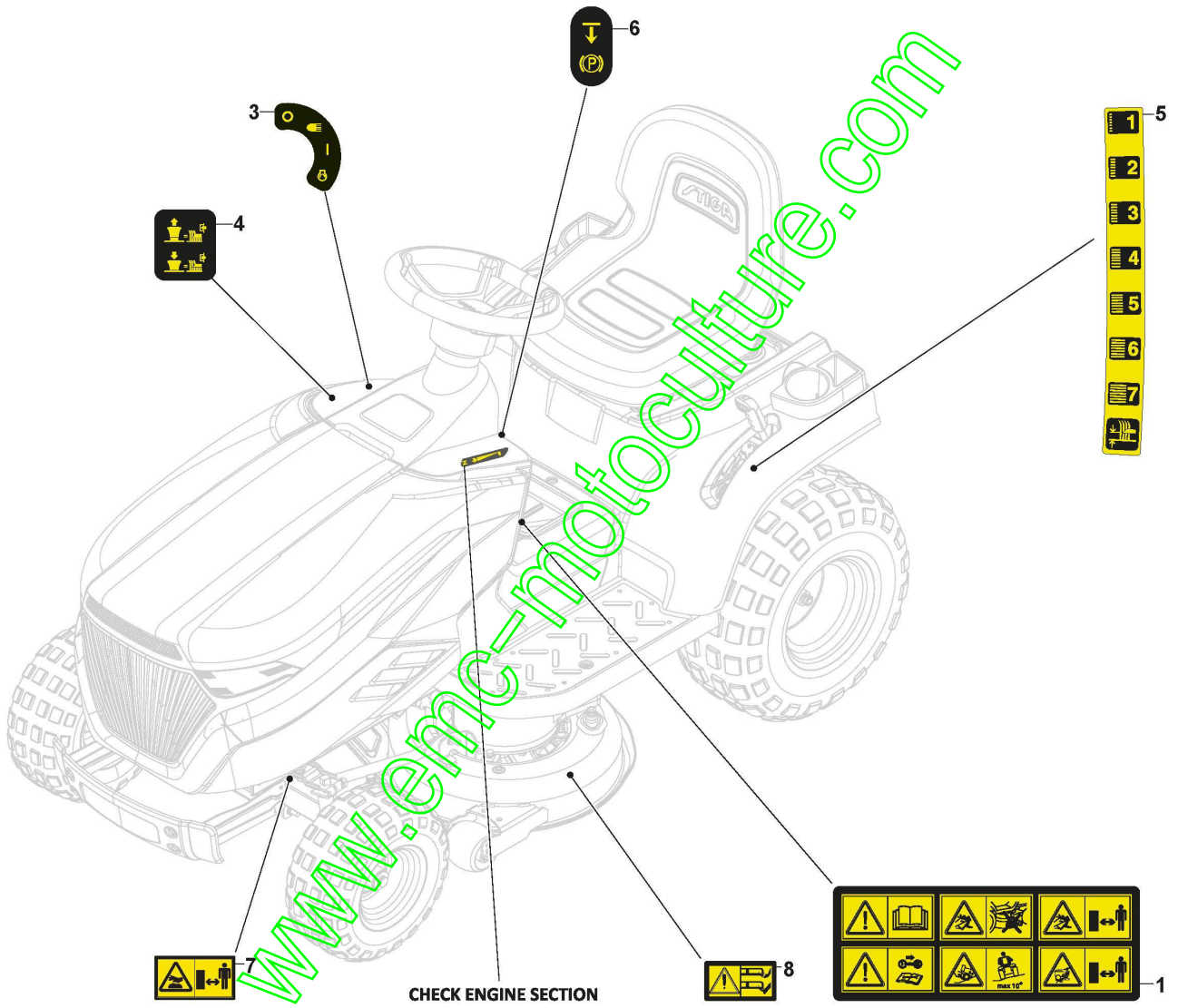
www.emc-motoculture.com



Parties Electriques

| Réf. N° | Q.té : | Code article | Description | Articles | De | Jusqu'à |
|---------|--------|--------------|---|------------------|------------------------|-------------------|
| 1 | 1 | 182040196/0 | Ens. Cablages | For Hydro Models | | To 31-August-2016 |
| 1 | 1 | 182040196/1 | Ens. Cablages | For Hydro Models | From 01-September-2016 | To 31-August-2016 |
| 2 | 1 | 382722443/0 | Carte Electronique | | | To 31-August-2015 |
| 2 | 1 | 382722443/1 | Carte Electronique | "LS" marked | From 01-September-2016 | To 31-August-2015 |
| 3 | 1 | 325600080/0 | Protection De Carte | | | To 31-August-2015 |
| 3 | 1 | 325600090/1 | Protection De Carte | | From 01-September-2016 | To 31-August-2015 |
| 4 | 1 | 118450075/1 | Interrupteur Demarrage | | | |
| 5 | 1 | 112735105/0 | Vis | | | |
| 6 | 1 | 118210023/0 | Clef A Demarrage | | | |
| 7 | 1 | 118120002/1 | Batterie | | | To 31-August-2015 |
| 7 | 1 | 118120007/0 | Batterie | | From 01-September-2016 | To 31-August-2015 |
| 8 | 1 | 125430265/1 | Ressort | | | |
| 9 | 1 | 118400863/0 | Manchon Expansible | | | |
| 15 | 2 | 133215000/0 | Couvercle | | | |
| 16 | 1 | 133340036/0 | Fusible 25 A | | | |
| 16 | 1 | 133340040/0 | Fusible 10 A | | | |
| 17 | 2 | 133500007/0 | Tableau De Fusible | | | |
| 18 | 1 | 118450073/0 | Interrupteur Embrajage | Yellow | | |
| 18 | 1 | 118450074/0 | Interrupteur Embrajage | Red | | |
| 19 | 2 | 119410613/0 | Microinterrupteur | | | |
| 20 | 1 | 182040186/0 | Cables | for Lamp Version | | |
| 21 | 2 | 118459100/0 | Ampoule De Phares | | | |
| 25 | 1 | 182180090/0 | Chargeur De Batteries 12V 1A - CE Plugg | CE Plug | | |
| 25 | 1 | 182180091/0 | Chargeur De Batteries 12V 1A - UK Plugg | BS Plug | | |
| 26 | 1 | 325605003/0 | Bouton D'Entrée Inverse | | | |
| 27 | 1 | 325256250/0 | Embout | | | |
| 51 | 1 | 118736111/0 | Relais D'Allumage | | | To 31-August-2015 |
| 51 | 1 | 118736112/0 | Solenoid | | From 01-September-2016 | To 31-August-2015 |
| 52 | 2 | 112360352/0 | Ecrou | | | To 31-August-2015 |
| 52 | 2 | 112361005/0 | Ecrou | | From 01-September-2016 | To 31-August-2015 |
| 53 | 1 | 125065002/0 | Cable | | | |
| 54 | 1 | 118564864/1 | Capuchon | | | |
| 55 | 1 | 112790781/0 | Vis | | | |
| 56 | 2 | 112154510/0 | Ecrou | | | |

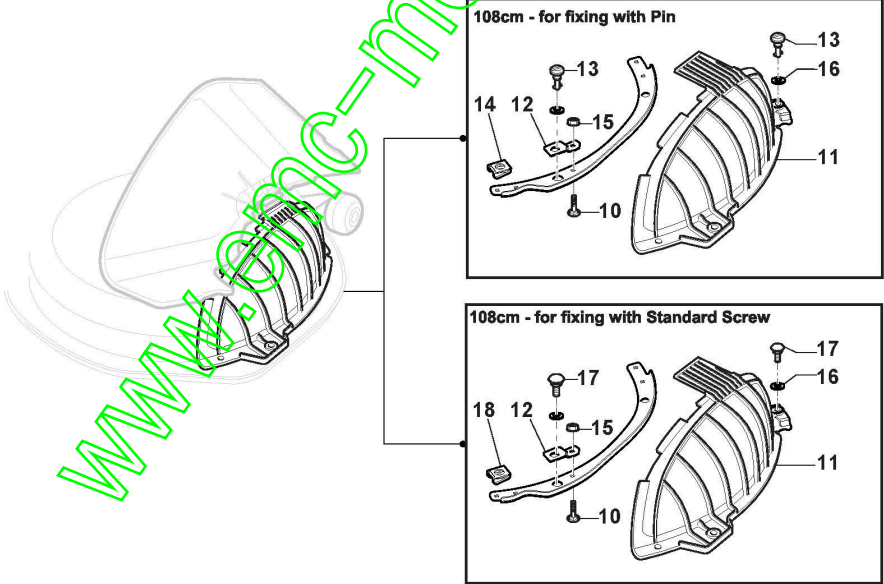
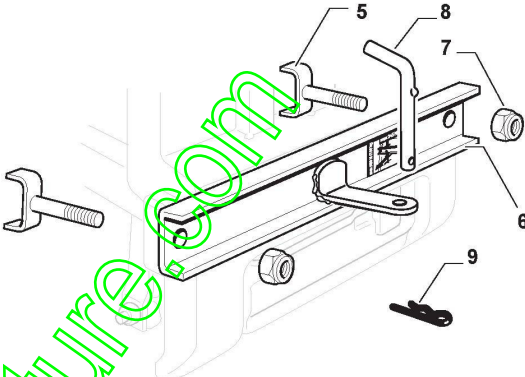
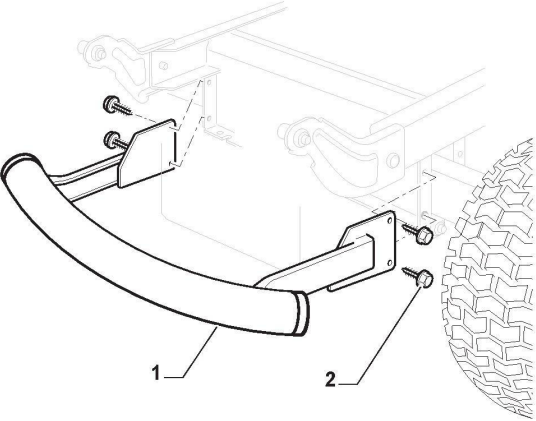
www.emc-motoculture.com



Etiquettes

| Réf. N° | Q.té : | Code article | Description | Articles | De | Jusqu'à |
|---------|--------|--------------|-------------------------------|---------------------------|-----------|---------|
| 1 | 1 | 114362365/1 | Etiquette | | | |
| 3 | 1 | 114363699/0 | Etiquette | Only for Models with Lamp | | |
| 4 | 1 | 114361438/0 | Etiquette | | | |
| 5 | 1 | 114363701/0 | Etiquette | | | To |
| 5 | 1 | 114366142/0 | Etikett | | From | |
| 6 | 1 | 114363700/0 | Etiquette | | 01-Septem | |
| 7 | 2 | 114364961/3 | Label | | ber-2014 | |
| 8 | 1 | 114356699/1 | Etiquette De Plaque De Danger | | | |
| 8 | 1 | 114367751/0 | Etiquette De Plaque De Danger | | | |

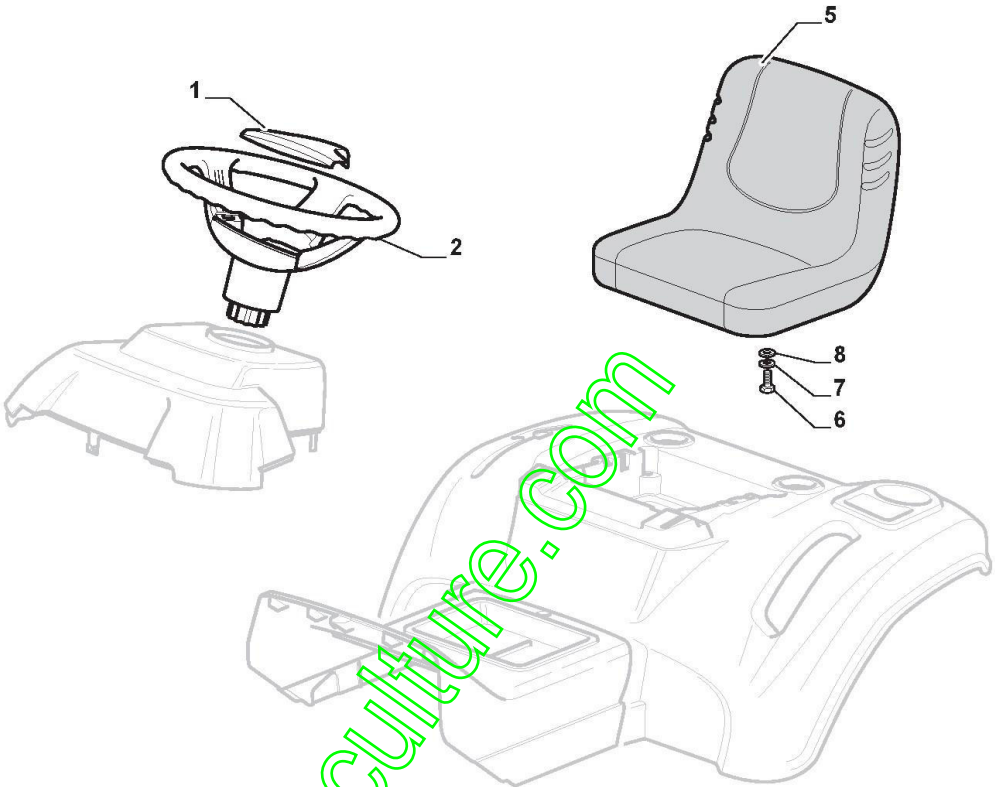
www.emc-motoculture.com



Accessoires Sur Demande

| Réf. N° | Q.té : | Code article | Description | Articles | De | Jusqu'à |
|---------|--------|--------------|-----------------------|--------------------------------|----|---------|
| 1 | 1 | 382869038/0 | Protection Silencieux | | | |
| 2 | 4 | 125943008/0 | Vis | | | |
| 5 | 2 | 382650211/0 | Renforcement | | | |
| 6 | 1 | 382033111/0 | Tige | | | |
| 7 | 2 | 112155000/0 | Ecrou | | | |
| 8 | 1 | 125510021/1 | Pivot | | | |
| 9 | 1 | 124487999/0 | Goupille | | | |
| 10 | 2 | 112815205/0 | Vis | | | |
| 11 | 1 | 325140107/0 | Deflecteur | | | |
| 12 | 2 | 325785473/0 | Pivot | | | |
| 13 | 2 | 125580040/0 | Bondon | for fixing with Pin | | |
| 14 | 2 | 118737221/0 | Plate | for fixing with Pin | | |
| 15 | 2 | 112292102/0 | Ecrou | | | |
| 16 | 2 | 112604899/0 | Fixateur A Couronne | | | |
| 17 | 2 | 125580041/0 | Bondon | for fixing with Standard Screw | | |
| 18 | 2 | 112437507/0 | Plaquette | for fixing with Standard Screw | | |

www.emc-motoculture.com



Siege & Volant

| Réf. N° | Q.té : | Code article | Description | Articles | De | Jusqu'à |
|---------|--------|--------------|---------------|----------|------|----------------|
| 1 | 1 | 325580503/0 | Plaque Volant | | | |
| 2 | 1 | 325961219/0 | Volant | | | |
| 5 | 1 | 125722463/0 | Siege | | | To |
| 5 | 1 | 125722483/0 | Siege | | From | 31-August-2017 |
| 6 | 4 | 112792611/0 | Vis | | | |
| 7 | 4 | 112540260/0 | Rondelle | | | |
| 8 | 4 | 112523060/0 | Rondelle | | | |

www.emc-motoculture.com

www.emc-motoculture.com