



BRUSH CUTTER

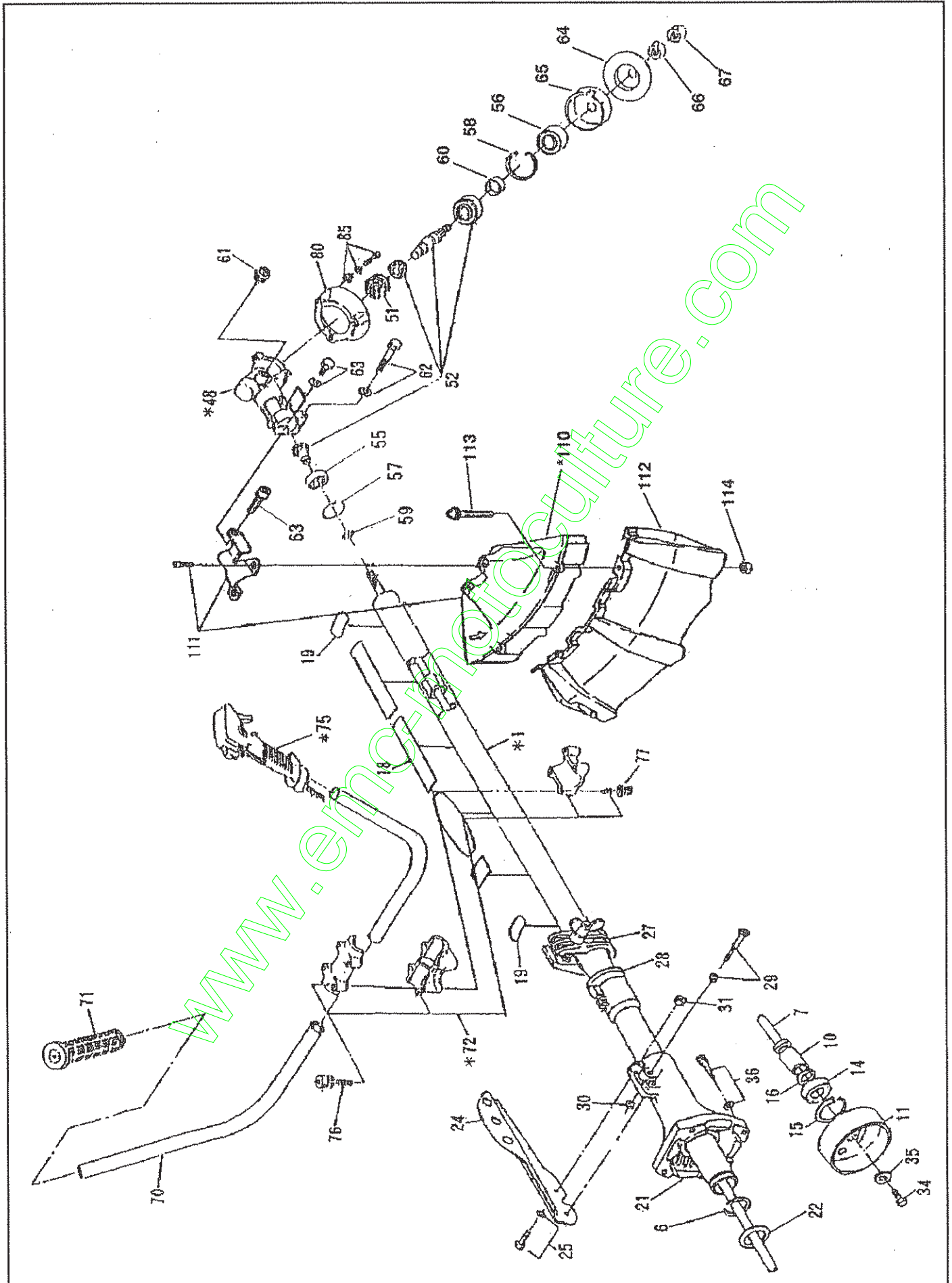
MODEL NB411

(U.S. SPEC.)

Machine Body
Control Lever Assembly
Engine Body
Carburetor & Air Cleaner
Standard Accessory

PARTS MANUAL

MACHINE BODY



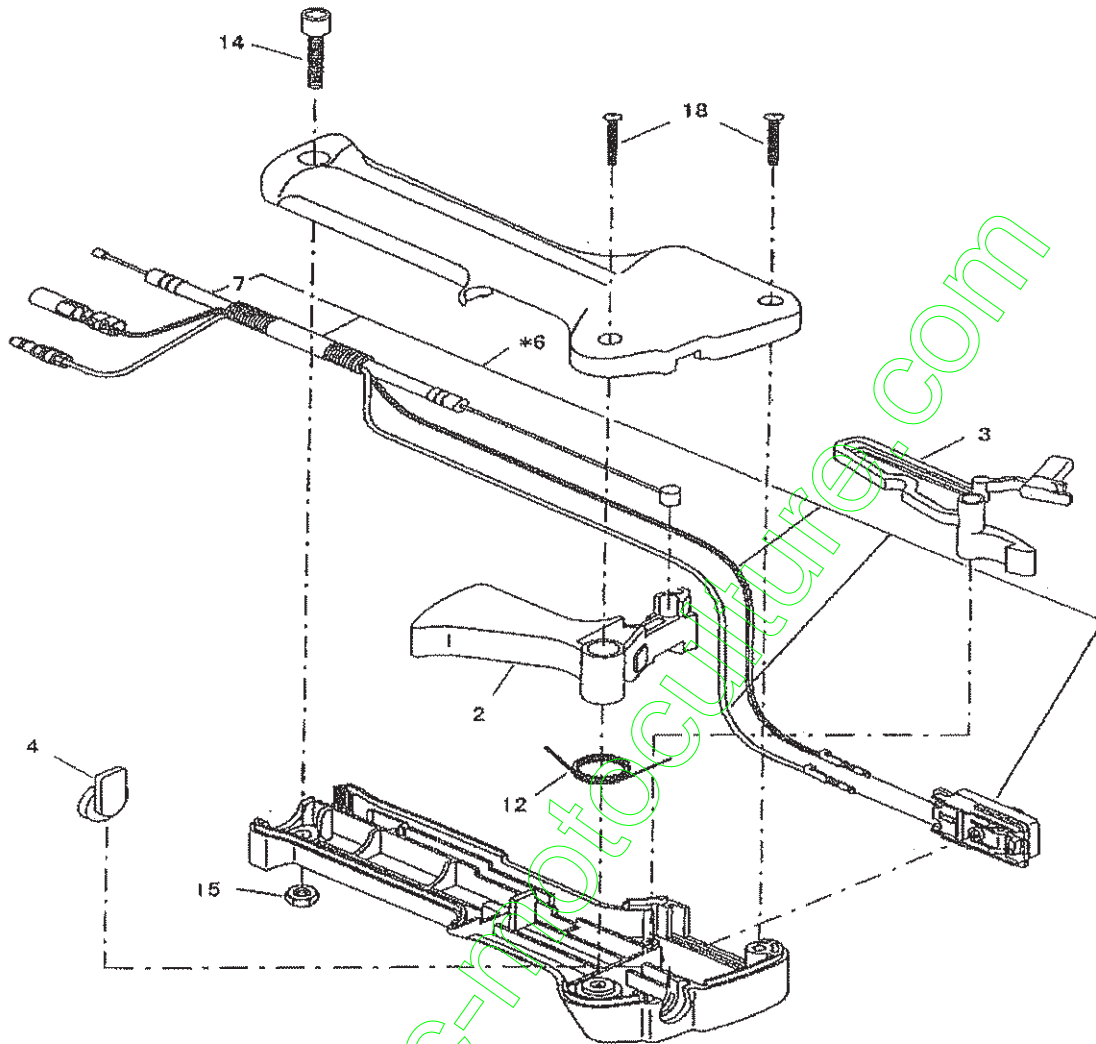
NB411 PARTS LIST

U.S. SPEC.

MACHINE BODY

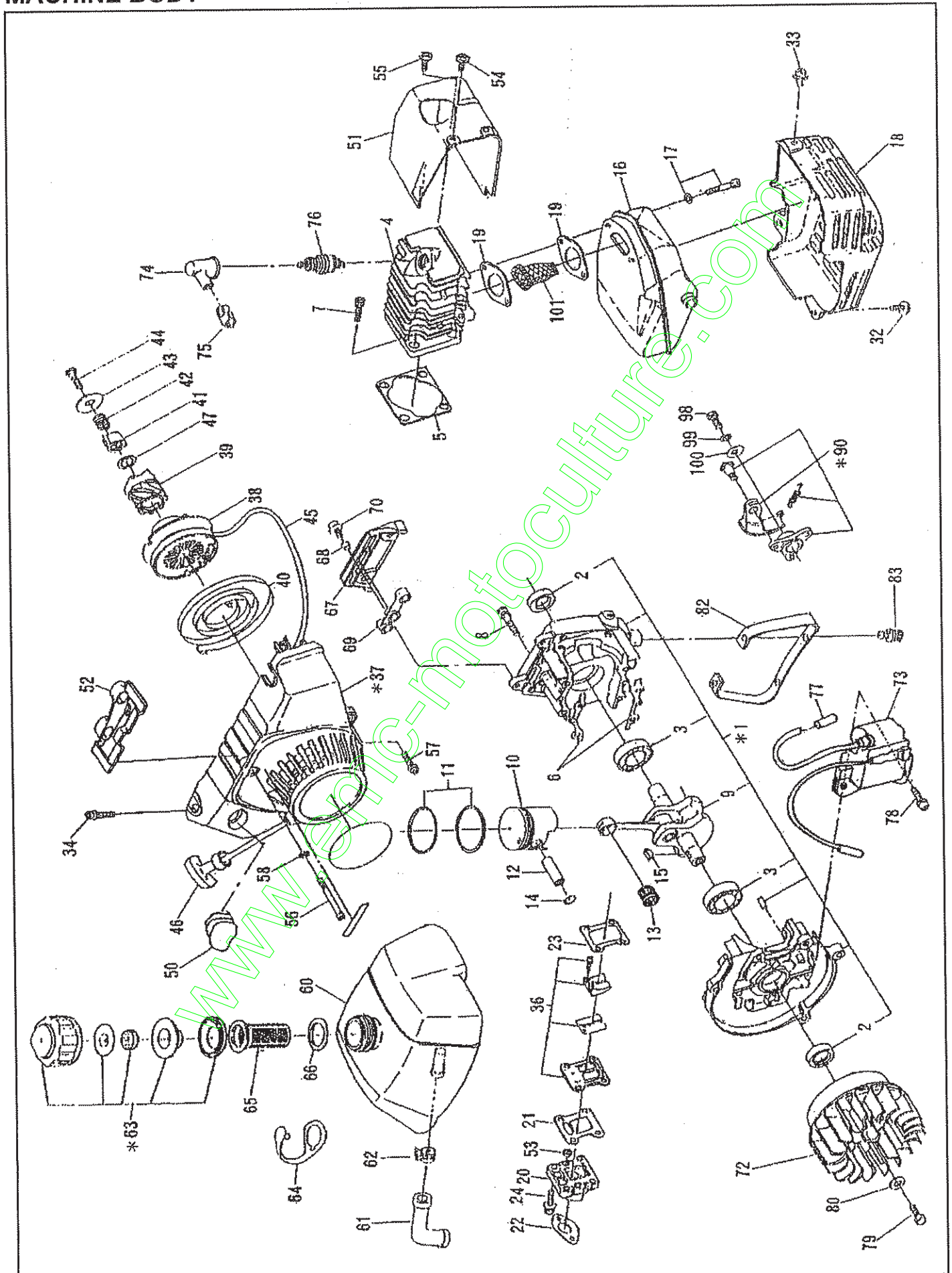
KEY NO.	PART NO.	QTY.	DESCRIPTION	OUR PART NO.
*1	6411001000-1	1	Pipe, shaft compl. (incl. 6)	6233-1
6	6301501500	1	Snpring, outer	1040
7	6411009002	1	Shaft	1041
10	6411008000	1	Damper	6276
11	6412006001	1	Drum, clutch compl.	6278
14	0600179850	1	Ball bearing (#6003DD)	4109
15	0031435000	1	Snpring, inner	1397
16	0031517000	1	Snpring, outer	1399
18	6219519501	1	Label, caution	1042
19	6259514700	2	Label, caution	1048
21	6411500401	1	Case, clutch	1049
22	6301501600	1	Washer	1052
23	6417500200	1	Hanger	1053
25	0011806280	1	Bolt assembly	6266
27	6301001000	1	Stopper compl.	1363
28	6411502200	1	Stopper	1058
29	0043406350	1	Screw assembly	1059
30	0022706000	1	Nut	9939
31	0021806000	1	Nut	1290
32	0016706500	1	Bolt	6270
34	6202500400	2	Bolt	6279
35	6202500600	1	Washer	7022
36	0119069910	4	Socket head bolt (M6x18 SW)	1060
*48	6413008001	1	Case, gear assembly (incl. 51 to 67)	1061
51	0600079990	1	Ball bearing (#627ZZ)	1062
52	6413009000	1	Shaft, cutter set	6871
55	0600129980	1	Ball bearing (#6001ZZ)	6261
56	6413500400	1	Oil seal	6263-1
57	0031428000	1	Snpring, inner	1396
58	0031432000	1	Snpring, inner	6272-1
59	0031512000	1	Snpring, outer	1398

CONTROL LEVER



KEY NO.	PART NO.	QTY.	DESCRIPTION	OUR PART NO.
*75	6355004000	1	Control lever assembly (incl. 2 to 18)	7903
2	6215022030	1	Lever	1069
3	6195013010	1	Lever	1070
4	6195006150	1	Top	
*6	6355004010	1	Wire set (incl.7)	7935
7	6355004020	1	Wire compl.	7944
12	6195006050	1	Spring	9809
14	0119059980	1	Socket head bolt (M5x30)	1071
15	6215022404	1	Nut	1125
18	6195006060	2	Tapping screw	9819

MACHINE BODY



NB411 PARTS LIST

U.S. SPEC.

MACHINE BODY

KEY NO.	PART NO.	QTY.	DESCRIPTION	OUR PART NO.
*1	5411005001	1	Crankcase assembly (incl. 2, 3, 6)	1127
2	00440159971	2	Oil seal	1212
3	0600159880	2	Ball bearing	1213
4	5411500300-4	1	Cylinder	3584
5	5411500501	1	Gasket, Cylinder	6290
6	5411501200	1	Gasket, Crankcase	3583
7	0119069990	4	Socket head bolt (M6x18)	2117
8	0119059940	4	Socket head bolt (M5x30SW)	1215
9	5412001000	1	Crankshaft compl.	1128
10	5412500800	1	Piston	6293
11	5402500600	2	Ring, Piston	1229
12	5412500300	1	Pin, Piston	3588
13	5412501300	1	Needle roller bearing	3589
14	0565099990	2	Clip	4733
15	0323039990	1	Woodruff key	1178
16	5323006000	1	Muffler, exhaust	6764
17	0119069780	2	Socket head bolt (M6x60 W)	6765
18	5413500100	1	Cover, Muffler	6766
19	5323500600	2	Gasket, Muffler	1179
20	5413501100	1	Insulator assembly	1180
21	5413501200	1	Gasket, Insulator	3596
22	5416501300	1	Gasket, Carburetor	6332
23	5413502800	1	Gasket, lead valve	4014
24	0119059630	1	Socket head bolt (M5x20)	1181
32	0140069910	2	Screw (M6x16 SW)	1185
33	0140059550	1	Screw (M5x14 W SW)	1190
34	0043705140	1	Screw assembly	1191
36	5413007000-1	1	Valve, lead assembly	6304
*37	5415001000-1	1	Starter, Rewind (incl.38 to 47)	6312
38	5415001010	1	Reel	6313
39	5415001020	1	Ratchet	6314
40	5415001030	1	Spiral spring	6315
41	5415001040	1	Ratchet guide	6316
42	5415001050	1	Friction spring	6317
43	5415001060	1	Washer	6318
44	5245001010	1	Bind screw	6319
45	5415001140	1	Starter rope	1192
46	5305002110	1	Starter knob	6321
47	5415001220	1	Thrust washer	4707
50	5415503000-1	1	Cap, Starter	1193

NB411 PARTS LIST

U.S. SPEC.

MACHINE BODY

KEY NO.	PART NO.	QTY.	DESCRIPTION	OUR PART NO.
51	5415500100	1	Cover, Cylinder	1194
52	5416501900	1	Damper	4717
53	0021705000	1	Nut	6470
54	0140059610	1	Screw (M5x14)	1195
55	0140059560	1	Screw (M5x20 W SW)	1196
56	0119059810	1	Socket head bolt (M5x50)	6347
57	0119059790	2	Socket head bolt (M5x22 W)	6348
58	0031005000	1	Washer (M5)	1184
60	5416500000	1	Tank fuel	6328
61	5416500200	1	Tube fuel	6329
62	0561139980	1	Hose clamp	1262
63	6255016001	1	Cap Fuel Tank Assembly	1205
64	6255021002	1	Strap unit	5444
65	0641279990	1	Filter fuel	4404
66	5516500501	1	Gasket	4714
*67	5416057000	1	Bracket, Fuel Tank Assembly (incl. 68)	6327
68	0230059990	2	Spacer	4743
69	5416501100	1	Damper	6331
70	0043705140	2	Screw assembly (M5x14)	1191
72	5417023010	1	Flywheel	6638
73	5417023020	1	Coil	6339
74	0655009940	1	Cap, Plug	1051
75	0654009931	1	Spring, Plug cap	6169
76	0650149710	1	Plug, Spark	1222
77	5417500300	1	Tube	1226
78	0119059790	2	Socket head bolt (M5x22 W)	6348
79	0130069970	1	Bolt assembly (M6x16 SW) (incl.81)	1232
80	0200069920	1	Washer	1243
82	6415500000	1	Stand	6770-1
83	0119069900	2	Socket head Bolt (M6x14 SW)	1244
*90	6452002000	1	Clutch (incl.91 to 94)	6400
98	6202500400	1	Bolt	6279
99	0032006000	1	Spring washer	1294
100	6202500600	1	Washer	7022
101	5323500500	1	Spark arrester	1247

NB411 PARTS LIST

U.S. SPEC.

MACHINE BODY

KEY NO.	PART NO.	QTY.	DESCRIPTION	OUR PART NO.
*1	5416040000	1	Carburetor (incl. 2 to 29, 40, 41)	1249
2	5306008010	1	Body float	6358
3	5306009160	1	Straight pin	1317
4	5306009150	1	Needle assembly	4051
5	5306009230	1	Float arm	4052
6	5416019010	1	Jet needle	1250
7	5306018020	1	Main jet	4050
8	5306009020	1	Float	4054
9	5306009220	1	Gasket	1318
10	5416001110	1	Spring	3627
11	5416001060	1	Adjust screw	6368
12	5306009510	2	Screw	6370
13	8046001530	2	Spring washer screw	6371
14	5416008021	1	Piston valve	1251
15	5306009240	1	Throttle valve spring	1252
16	5306009120	1	Spring plate	6374
17	5416001040	2	Packing	6375
18	5306009450	1	E-ring	6376
19	5416001130	1	Filter	1256
20	5306009210	1	Gasket	4061
21	5306009310	1	Cable adjuster	1312
22	5306009460	1	Nut	1264
23	5416001030	1	Cable guide	1266
24	5306009250	1	Cap	4047
25	5306009260	1	Mixing cap	4046
26	5416001020	1	Cock body	6384
27	5416001010	1	Cap	6385
28	5306002240	1	Screw	6386
29	5306002410	1	O-ring	6387
30	5413500401-1	1	Case air cleaner	6388
31	5413500500-2	1	Cover air cleaner	6389
32	5413500600	1	Element	6390
33	5413502700	1	Element air cleaner	6391
34	0230059990	2	Spacer	4743
35	0021705000	3	Nut	6470
36	0140059680	1	Screw (M5x25)	1268
37	0043705140	2	Screw (M5x14)	1191
38	0043605580	2	Screw assembly (M5x58 W SW)	8094
40	5416016040	1	Hose	1270
41	5416016030	1	Plate	1288

