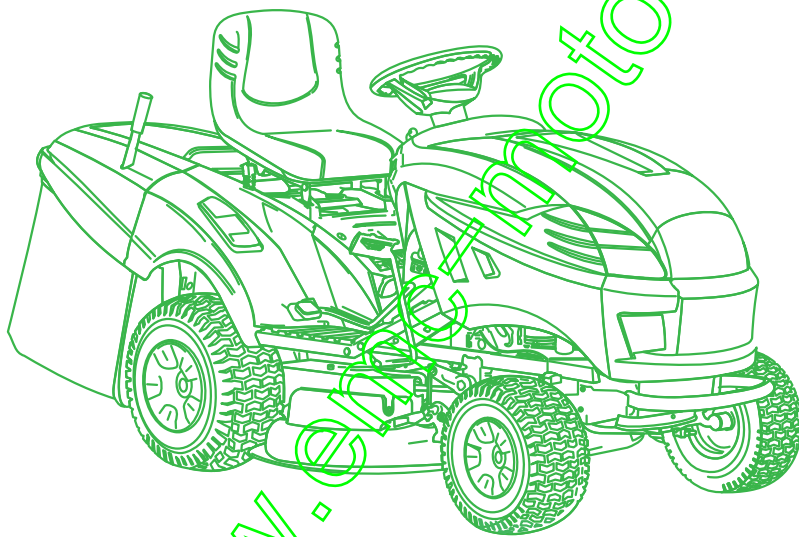


ILLUSTRATED PARTS LIST

NJS 92 Hydro



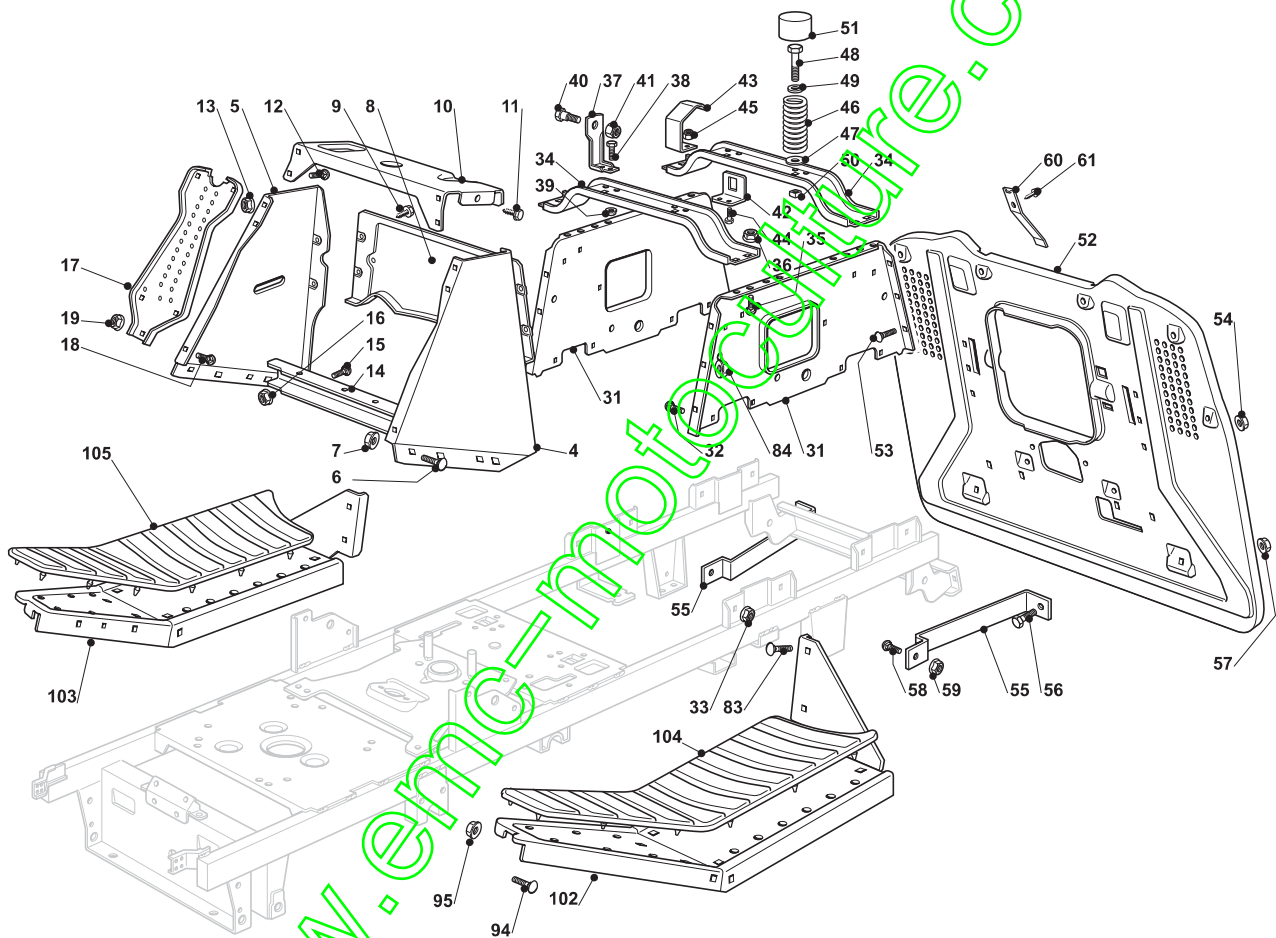
- Use GLOBAL GARDEN PRODUCT Genuine Spare Parts specified in the parts list for repair and/or replacement.
- The contents described in the parts list may change due to improvement.
- The drawings of the spare parts are only indicative and might not represent the part in question exactly.
- The indications "right" - "left" - "front" - "rear" refer to the position of the operator when using the machine.
- When placing orders of parts for repair and/or replacement, make sure that the illustrated parts list is the one applying to the machine's year of manufacture, as shown on the identification plate attached to the machine.

© Copyright 2014 Global Garden Products

All content is subject to copyright by Global Garden Products and may not be reproduced in whole or in part by any means, electronic or otherwise, without prior written approval.

THIS INFORMATION IS NOT INTENDED FOR SALE OR RESALE, AND THIS NOTICE MUST REMAIN ON ALL COPIES.

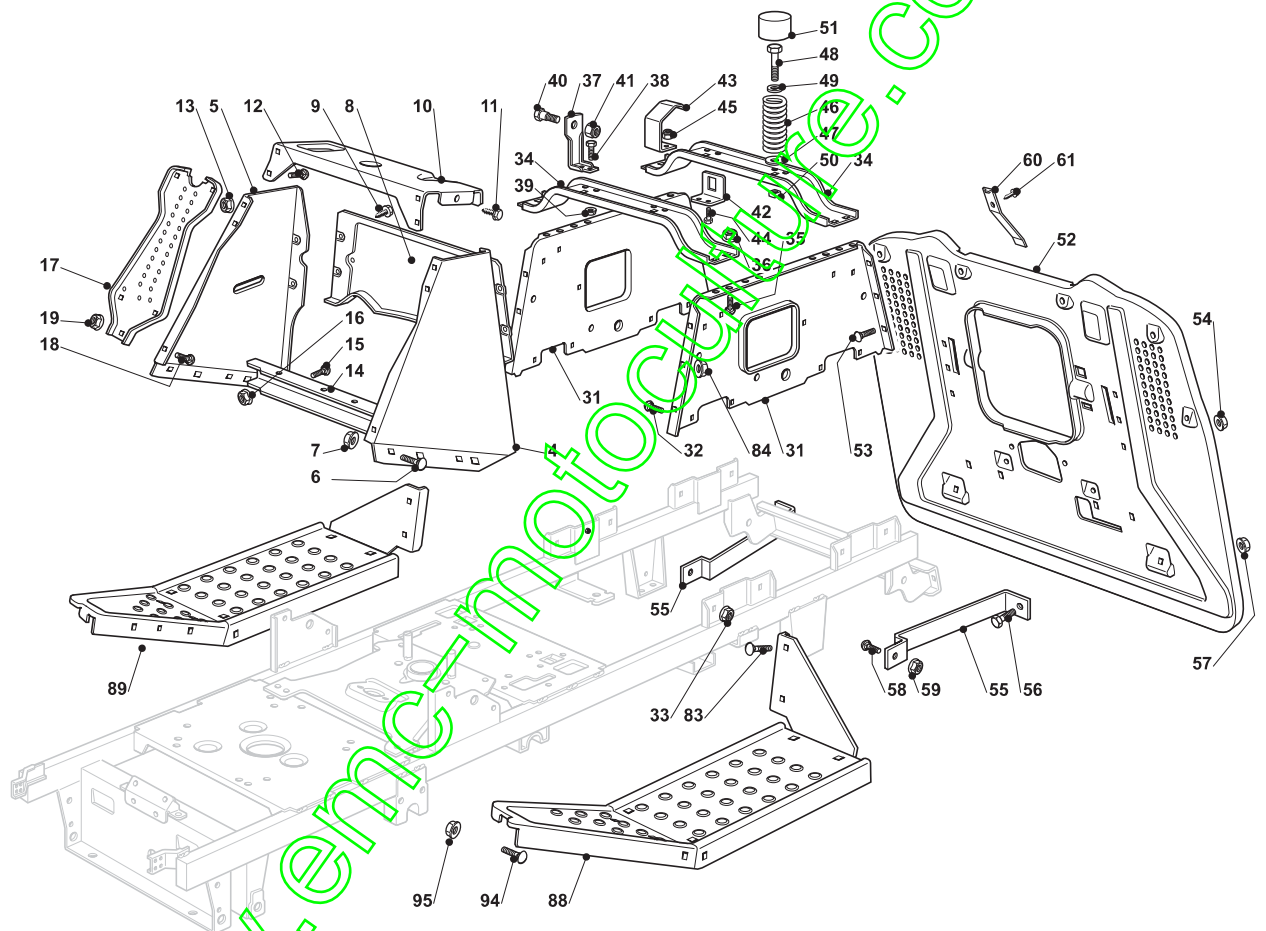

GLOBAL GARDEN PRODUCTS



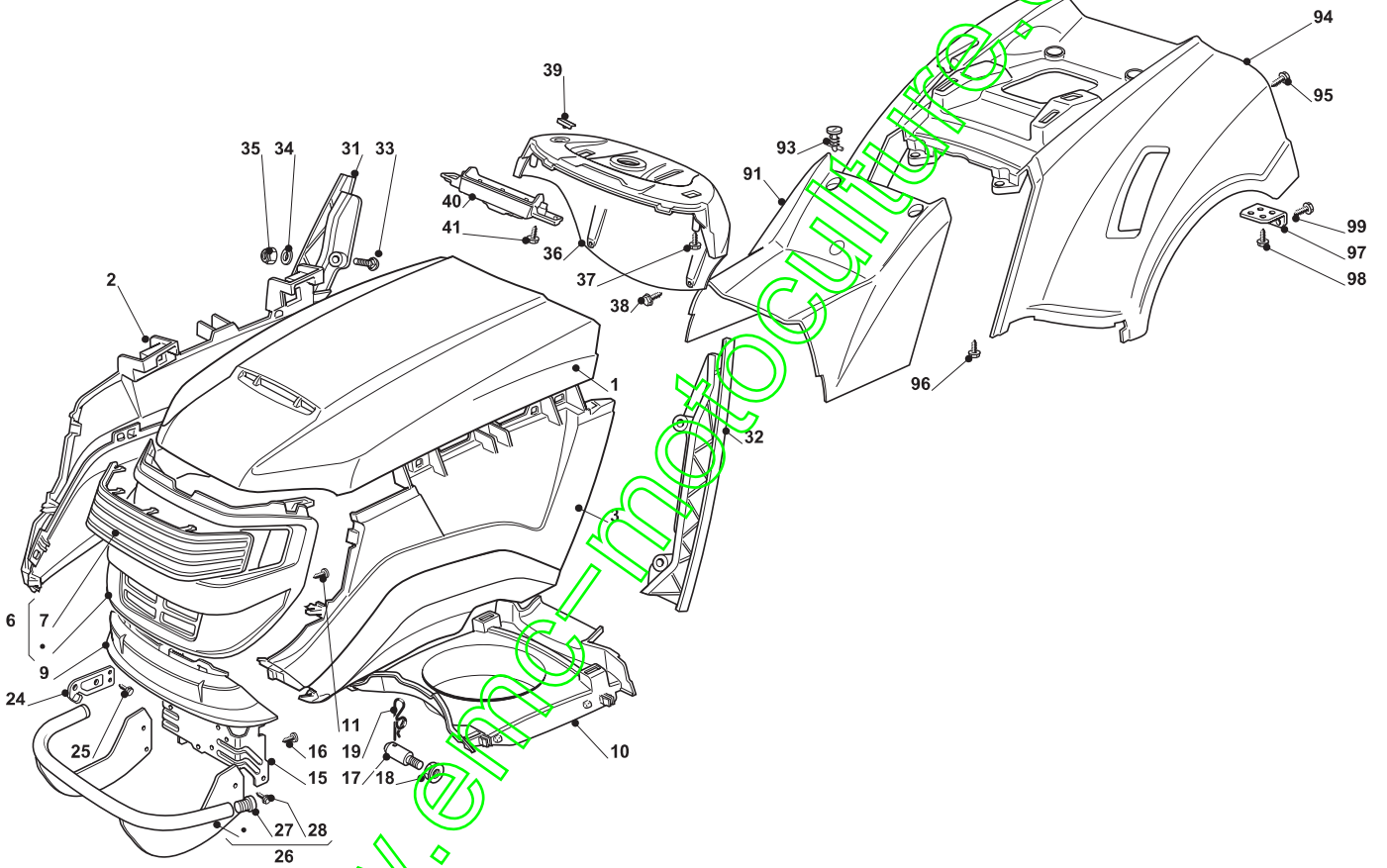
Chassis

High Version

| POS | CODE | Q.TY | DESCRIPTION | DESCRIZIONE | DESCRIPTION | BESCHREIBUNG | NOTES |
|-----|-------------|------|---------------------------|-----------------------------|---------------------------|------------------------|-------|
| 4 | 325785243/1 | 1 | Left Dashboard Support | Supp. Cruscotto Sinistro | Support Tableau Gauche | Linker Konsolehalter | |
| 5 | 325785245/0 | 1 | Right Dashboard Support | Supp. Cruscotto Destro | Support Tableau Droit | Rechter Konsolehalter | |
| 6 | 112818690/0 | 4 | Screw | Vite | Vis | Schraube | |
| 7 | 112293201/0 | 4 | Nut | Dado | Ecrou | Mutter | |
| 8 | 382785151/2 | 1 | Rear Dashboard Support | Supp. Cruscotto Posteriore | Support Tableau Arriere | Konsole Hinterrad | |
| 9 | 112735110/0 | 4 | Screw | Vite | Vis | Schraube | |
| 10 | 325785255/0 | 1 | Central Dashboard Support | Supporto Cruscotto Centrale | Support Tableau Centr. | Zentr. Konsole Halter | |
| 11 | 112735110/0 | 2 | Screw | Vite | Vis | Schraube | |
| 12 | 112815200/0 | 4 | Screw | Vite | Vis | Schraube | |
| 13 | 112292102/0 | 4 | Nut | Dado | Ecrou | Mutter | |
| 14 | 325785241/0 | 1 | Support | Supporto | Support | Halter | |
| 15 | 112815200/0 | 2 | Screw | Vite | Vis | Schraube | |
| 16 | 112292102/0 | 2 | Nut | Dado | Ecrou | Mutter | |
| 17 | 382785153/1 | 2 | Front Dashboard Support | Supp. Cruscotto Anteriore | Support Tableau Avant | Konsole Vorderrad | |
| 18 | 112815200/0 | 2 | Screw | Vite | Vis | Schraube | |
| 19 | 112292102/0 | 2 | Nut | Dado | Ecrou | Mutter | |
| 31 | 325785249/1 | 2 | Seat Support | Supporto Sedile | Support Siege | Sitzhalter | |
| 32 | 112815200/0 | 8 | Screw | Vite | Vis | Schraube | |
| 33 | 112292102/0 | 8 | Nut | Dado | Ecrou | Mutter | |
| 34 | 325785257/1 | 2 | Seat Support | Supporto Sedile | Support Siege | Sitzhalter | |
| 35 | 112818690/0 | 8 | Screw | Vite | Vis | Schraube | |
| 36 | 112293201/0 | 8 | Nut | Dado | Ecrou | Mutter | |
| 37 | 325755039/0 | 2 | Bracket | Squadretta | Equerre-Support | Winkel | |
| 38 | 112792611/0 | 4 | Screw | Vite | Vis | Schraube | |
| 39 | 112293201/0 | 4 | Nut | Dado | Ecrou | Mutter | |
| 40 | 122524970/2 | 2 | Fulcrum Pin | Perno Fulcro | Pivot | Gelenkpunkt | |
| 41 | 112155010/0 | 2 | Nut | Dado | Écrou | Mutter | |
| 42 | 325755043/0 | 1 | Bracket | Squadretta | Equerre-Support | Winkel | |
| 43 | 325430253/0 | 1 | Spring | Molla | Ressort | Feder | |
| 44 | 112789000/0 | 2 | Screw | Vite | Vis | Schraube | |
| 45 | 112154330/0 | 2 | Low Nut | Dado | Écrou | Mutter | |
| 46 | 125430257/1 | 2 | Spring | Molla | Ressort | Feder | |
| 47 | 112523070/0 | 2 | Washer | Rondella | Rondelle | Scheibe | |
| 48 | 112760515/0 | 2 | Screw | Vite | Vis | Schraube | |
| 49 | 122671653/0 | 2 | Washer | Rosetta | Rondelle | Scheibe | |
| 50 | 112360425/0 | 2 | Nut | Dado | Ecrou | Mutter | |
| 51 | 325122000/2 | 2 | Spring | Molla | Ressort | Feder | |
| 52 | 382547041/1 | 1 | Plate | Piastrina | Plaquette | Plättchen | |
| 53 | 112792611/0 | 6 | Screw | Vite | Vis | Schraube | |
| 54 | 112293201/0 | 6 | Nut | Dado | Ecrou | Mutter | |
| 55 | 325650119/0 | 2 | Plate Stiffening | Rinforzo Piastra | Renforcement Plaque | Platteverstaerkug | |
| 56 | 112792611/0 | 2 | Screw | Vite | Vis | Schraube | |
| 57 | 112293201/0 | 2 | Nut | Dado | Ecrou | Mutter | |
| 58 | 112792611/0 | 2 | Screw | Vite | Vis | Schraube | |
| 59 | 112293201/0 | 2 | Nut | Dado | Ecrou | Mutter | |
| 60 | 125430276/0 | 1 | Spring | Molla | Ressort | Feder | |
| 61 | 112735110/0 | 1 | Screw | Vite | Vis | Schraube | |
| 83 | 112792611/0 | 4 | Screw | Vite | Vis | Schraube | |
| 84 | 112293201/0 | 4 | Nut | Dado | Ecrou | Mutter | |
| 94 | 112815200/0 | 4 | Screw | Vite | Vis | Schraube | |
| 95 | 112292102/0 | 4 | Nut | Dado | Ecrou | Mutter | |
| 102 | 382510083/0 | 1 | Left Footboard Support | Supporto Pedana Sinistra | Support Marchepied Gauche | Linke Fussbretthalter | |
| 103 | 382510081/0 | 1 | Right Footboard Support | Supporto Pedana Destra | Marchepied Droit Support | Rechte Fussbretthalter | |
| 104 | 325110327/0 | 1 | Left Footboard Cover | Copripedana Sinistra | Couvre Marchepied Gauche | Linke Fussbrettdeckel | |
| 105 | 325110326/0 | 1 | Right Footboard Cover | Copripedana Destra | Couvre Marchepied Droit | Rechte Fussbrettdeckel | |



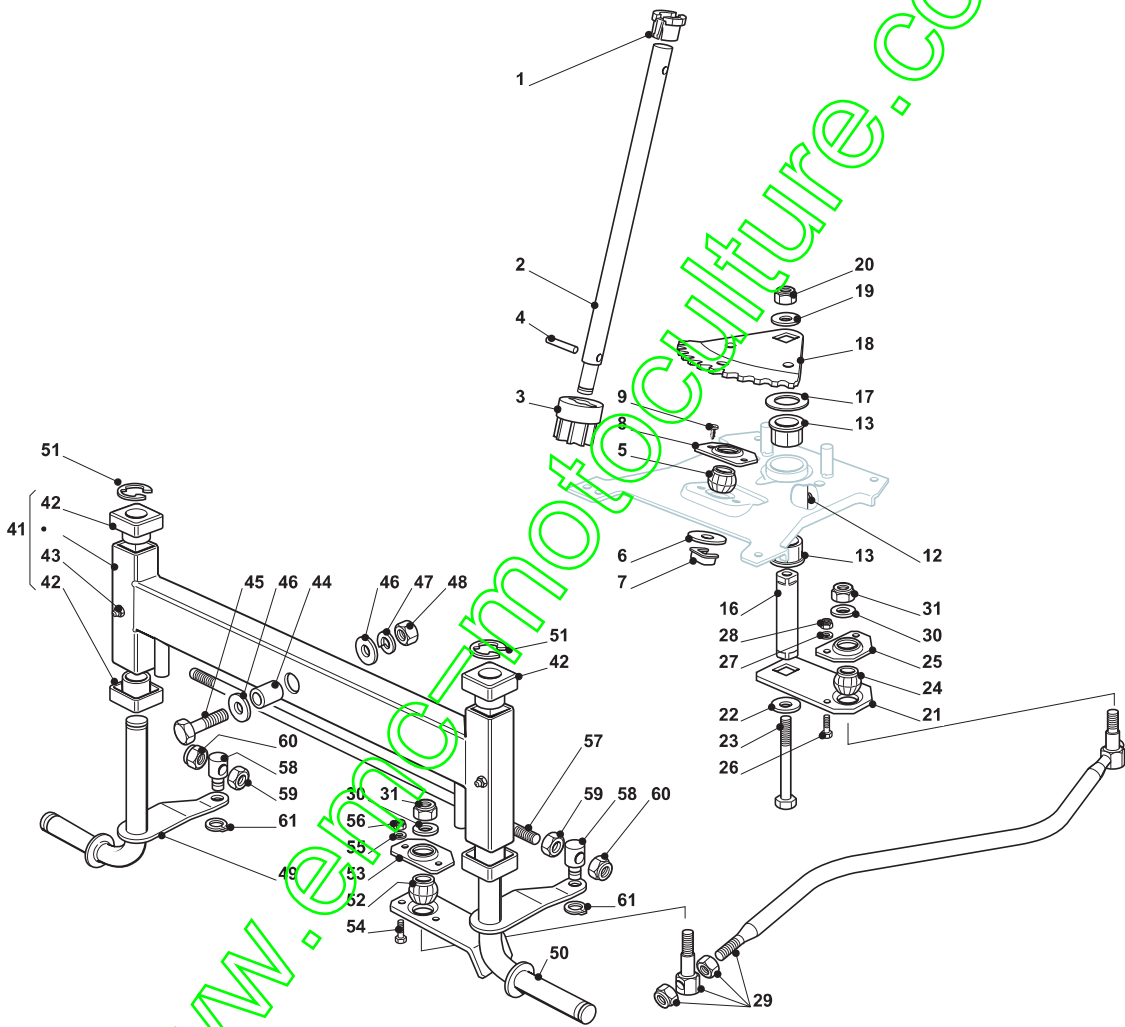
| POS | CODE | Q.TY | DESCRIPTION | DESCRIZIONE | DESCRIPTION | BESCHREIBUNG | NOTES |
|-----|-------------|------|---------------------------|-----------------------------|---------------------------|------------------------|-------|
| 4 | 325785243/1 | 1 | Left Dashboard Support | Supp. Cruscotto Sinistro | Support Tableau Gauche | Linker Konsolehalter | |
| 5 | 325785245/0 | 1 | Right Dashboard Support | Supp. Cruscotto Destro | Support Tableau Droit | Rechter Konsolehalter | |
| 6 | 112818690/0 | 4 | Screw | Vite | Vis | Schraube | |
| 7 | 112293201/0 | 4 | Nut | Dado | Ecrou | Mutter | |
| 8 | 382785151/2 | 1 | Rear Dashboard Support | Supp. Cruscotto Posteriore | Support Tableau Arriere | Konsole Hinterrad | |
| 9 | 112735110/0 | 4 | Screw | Vite | Vis | Schraube | |
| 10 | 325785255/0 | 1 | Central Dashboard Support | Supporto Cruscotto Centrale | Support Tableau Centr. | Zentr. Konsole Halter | |
| 11 | 112735110/0 | 2 | Screw | Vite | Vis | Schraube | |
| 12 | 112815200/0 | 4 | Screw | Vite | Vis | Schraube | |
| 13 | 112292102/0 | 4 | Nut | Dado | Ecrou | Mutter | |
| 14 | 325785241/0 | 1 | Support | Supporto | Support | Halter | |
| 15 | 112815200/0 | 2 | Screw | Vite | Vis | Schraube | |
| 16 | 112292102/0 | 2 | Nut | Dado | Ecrou | Mutter | |
| 17 | 382785153/1 | 2 | Front Dashboard Support | Supp. Cruscotto Anteriore | Support Tableau Avant | Konsole Vorderrad | |
| 18 | 112815200/0 | 2 | Screw | Vite | Vis | Schraube | |
| 19 | 112292102/0 | 2 | Nut | Dado | Ecrou | Mutter | |
| 31 | 325785249/1 | 2 | Seat Support | Supporto Sedile | Support Siege | Sitzhalter | |
| 32 | 112815200/0 | 8 | Screw | Vite | Vis | Schraube | |
| 33 | 112292102/0 | 8 | Nut | Dado | Ecrou | Mutter | |
| 34 | 325785257/1 | 2 | Seat Support | Supporto Sedile | Support Siege | Sitzhalter | |
| 35 | 112818690/0 | 8 | Screw | Vite | Vis | Schraube | |
| 36 | 112293201/0 | 8 | Nut | Dado | Ecrou | Mutter | |
| 37 | 325755039/0 | 2 | Bracket | Squadretta | Equerre-Support | Winkel | |
| 38 | 112792611/0 | 4 | Screw | Vite | Vis | Schraube | |
| 39 | 112293201/0 | 4 | Nut | Dado | Ecrou | Mutter | |
| 40 | 122524970/2 | 2 | Fulcrum Pin | Perno Fulcro | Pivot | Gelenkpunkt | |
| 41 | 112155010/0 | 2 | Nut | Dado | Écrou | Mutter | |
| 42 | 325755043/0 | 1 | Bracket | Squadretta | Equerre-Support | Winkel | |
| 43 | 325430253/0 | 1 | Spring | Molla | Ressort | Feder | |
| 44 | 112789000/0 | 2 | Screw | Vite | Vis | Schraube | |
| 45 | 112154330/0 | 2 | Low Nut | Dado | Écrou | Mutter | |
| 46 | 125430257/1 | 2 | Spring | Molla | Ressort | Feder | |
| 47 | 112523070/0 | 2 | Washer | Rondella | Rondelle | Scheibe | |
| 48 | 112760515/0 | 2 | Screw | Vite | Vis | Schraube | |
| 49 | 122671653/0 | 2 | Washer | Rosetta | Rondelle | Scheibe | |
| 50 | 112360425/0 | 2 | Nut | Dado | Ecrou | Mutter | |
| 51 | 325122000/2 | 2 | Spring | Molla | Ressort | Feder | |
| 52 | 382547041/1 | 1 | Plate | Piastrina | Plaquette | Plättchen | |
| 53 | 112792611/0 | 6 | Screw | Vite | Vis | Schraube | |
| 54 | 112293201/0 | 6 | Nut | Dado | Ecrou | Mutter | |
| 55 | 325650119/0 | 2 | Plate Stiffening | Rinforzo Piastra | Renforcement Plaque | Platteverstaerkug | |
| 56 | 112792611/0 | 2 | Screw | Vite | Vis | Schraube | |
| 57 | 112293201/0 | 2 | Nut | Dado | Ecrou | Mutter | |
| 58 | 112792611/0 | 2 | Screw | Vite | Vis | Schraube | |
| 59 | 112293201/0 | 2 | Nut | Dado | Ecrou | Mutter | |
| 60 | 125430276/0 | 1 | Spring | Molla | Ressort | Feder | |
| 61 | 112735110/0 | 1 | Screw | Vite | Vis | Schraube | |
| 83 | 112792611/0 | 4 | Screw | Vite | Vis | Schraube | |
| 84 | 112293201/0 | 4 | Nut | Dado | Ecrou | Mutter | |
| 88 | 382510079/0 | 1 | Left Footboard Support | Supporto Pedana Sinistra | Support Marchepied Gauche | Linke Fussbretthalter | |
| 89 | 382510077/0 | 1 | Right Footboard Support | Supporto Pedana Destra | Marchepied Droit Support | Rechte Fussbretthalter | |
| 94 | 112815200/0 | 4 | Screw | Vite | Vis | Schraube | |
| 95 | 112292102/0 | 4 | Nut | Dado | Ecrou | Mutter | |



| Body | | | | In parts list notes identify as model with Mono Lights NJS | | | |
|------|-------------|------|-------------------------|--|------------------------|-----------------------|-------|
| POS | CODE | Q.TY | DESCRIPTION | DESCRIZIONE | DESCRIPTION | BESCHREIBUNG | NOTES |
| 1 | 325076871/0 | 1 | Upper Engine Hood, Red | Cofano Superiore Rosso | Capot Rouge | Haubesatz Rot | |
| 2 | 382394620/0 | 1 | Hood, Right | Cofano Destra | Capot Droit | Rechte Haube | |
| 3 | 382394621/0 | 1 | Hood, Left | Cofano Sinistra | Capot Gauche | Linke Haube | |
| 6 | 382394618/0 | 1 | Hood, Front | Cofano Frontale - Grigio | Capot Avant | Vorde Haube | |
| 7 | 325410878/0 | 1 | Grill | Mascherina | Panneau | Schutz | |
| 9 | 325076877/0 | 1 | Lower Red Hood, Front | Cofano Frontale Inferiore - Rosso | Capot Avant | Vorde Haube | |
| 10 | 325108031/0 | 1 | Conveyor | Convogliatore | Convoyeur | Konveyor | |
| 11 | 112735403/0 | 6 | Screw | Vite | Vis | Schraube | |
| 15 | 325774301/2 | 1 | Engine Hood Support | Supporto Cofano | Support Capot | Haubehalter | |
| 16 | 112735403/0 | 5 | Screw | Vite | Vis | Schraube | |
| 17 | 125510079/1 | 2 | Pin | Perno | Pivot | Bolzen | |
| 18 | 112293201/0 | 2 | Nut | Dado | Ecrou | Mutter | |
| 19 | 124487998/0 | 2 | Cotter Pin | Copiglia | Goupille | Split | |
| 24 | 325547159/1 | 2 | Plate | Piastrina | Plaquette | Plättchen | |
| 25 | 112731580/0 | 4 | Screw | Vite | Vis | Schraube | |
| 26 | 382869027/0 | 1 | Muffler Protection | Protezione Silenziatore | Protection Silencieux | Auspuffschutz | |
| 27 | 118737860/0 | 2 | Cap | Puntale | Bouchon | Gummistopfen | |
| 28 | 112734995/0 | 4 | Screw | Vite | Vis | Schraube | |
| 31 | 325599012/0 | 1 | Right Dashboard Support | Supp. Cruscotto Destro | Support Tableau Droit | Rechter Konsolehalter | |
| 32 | 325599013/0 | 1 | Left Dashboard Support | Supp. Cruscotto Sinistro | Support Tableau Gauche | Linker Konsolehalter | |
| 33 | 112815221/0 | 4 | Screw | Vite | Vis | Schraube | |
| 34 | 112521330/0 | 4 | Washer | Rosetta | Rondelle | Scheibe | |
| 35 | 112154510/0 | 4 | Nut | Dado | Écrou | Mutter | |
| 36 | 325120188/2 | 1 | Dashboard, Black | Cruscotto, Nero | Console, Noir | Konsole, Schwarz | |
| 36 | 325120191/2 | 1 | Dashboard, Red | Cruscotto, Rosso | Console Rouge | Konsole, Rot | |
| 37 | 112728440/0 | 2 | Screw | Vite | Vis | Schraube | |
| 38 | 112735402/0 | 2 | Screw | Vite | Vis | Schraube | |
| 39 | 125260000/0 | 2 | Grommet | Gommino | Protection | Schutz | |
| 40 | 325600074/0 | 1 | Card Protection | Protezione Scheda | Protection De Carte | Kartenschutz | |
| 41 | 112735402/0 | 2 | Screw | Vite | Vis | Schraube | |
| 91 | 325110363/0 | 1 | Cover, Red | Copertura, Rosso | Couvre, Rouge | Kappe, Rot | |
| 93 | 125580020/2 | 2 | Pin | Perno | Pivot | Bolzen | |
| 94 | 325110322/0 | 1 | Red Wheels Cover | Copertura Ruote Rosso | Couvre Roues Rouge | Radenkappe Rot | |
| 95 | 112735402/0 | 4 | Screw | Vite | Vis | Schraube | |
| 96 | 112735402/0 | 2 | Screw | Vite | Vis | Schraube | |
| 97 | 325755041/0 | 2 | Bracket | Squadretta | Equerre-Support | Winkel | |
| 98 | 112728686/0 | 4 | Screw | Vite | Vis | Schraube | |
| 99 | 112735110/0 | 2 | Screw | Vite | Vis | Schraube | |

Body In parts list notes identify as model with Two Lights NJS

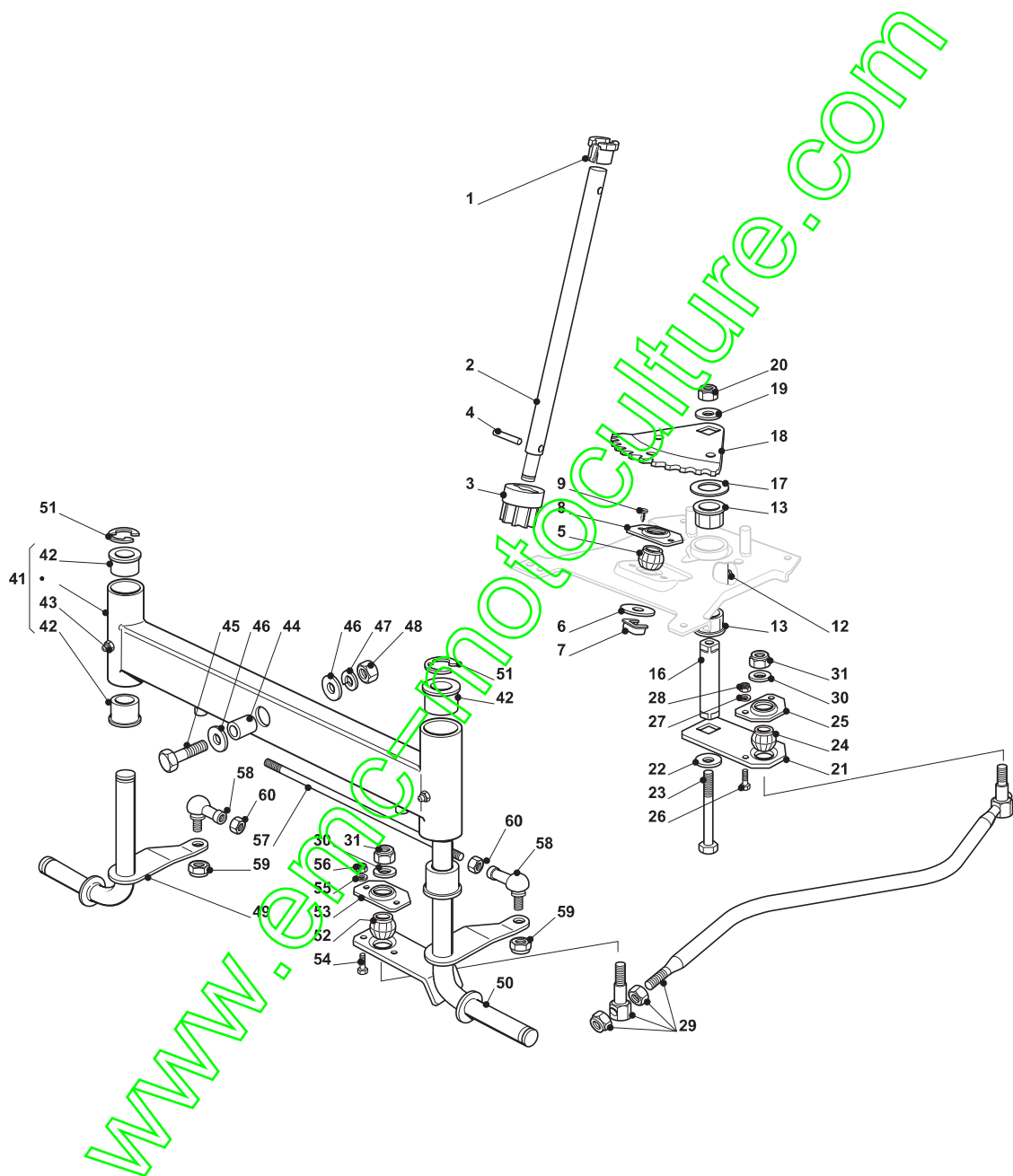
| POS | CODE | Q.TY | DESCRIPTION | DESCRIZIONE | DESCRIPTION | BESCHREIBUNG | NOTES |
|-----|-------------|------|-------------------------|---------------------------------|------------------------|-----------------------|-------|
| 1 | 325076871/0 | 1 | Upper Engine Hood, Red | Cofano Superiore Rosso | Capot Rouge | Haubesatz Rot | |
| 2 | 382394620/0 | 1 | Hood, Right | Cofano Destra | Capot Droit | Rechte Haube | |
| 3 | 382394621/0 | 1 | Hood, Left | Cofano Sinistra | Capot Gauche | Linke Haube | |
| 6 | 382394628/0 | 1 | Hood, Front | Cofano Frontale | Capot Avant | Vorde Haube | |
| 7 | 325410881/0 | 1 | Right Grill | Mascherina Destra | Panneau Droit | Rechte Schutz | |
| 8 | 325410882/0 | 1 | Left Grill | Mascherina Sinistra | Panneau Gauche | Linke Schutz | |
| 9 | 325076877/0 | 1 | Lower Red Hood, Front | Cofano Frontale Inferiore Rosso | Capot Avant | Vorde Haube | |
| 10 | 325108031/0 | 1 | Conveyor | Convogliatore | Convoyeur | Konveyor | |
| 11 | 112735403/0 | 6 | Screw | Vite | Vis | Schraube | |
| 15 | 325774301/2 | 1 | Engine Hood Support | Supporto Cofano | Support Capot | Haubehalter | |
| 16 | 112735403/0 | 5 | Screw | Vite | Vis | Schraube | |
| 17 | 125510079/1 | 2 | Pin | Perno | Pivot | Bolzen | |
| 18 | 112293201/0 | 2 | Nut | Dado | Ecrou | Mutter | |
| 19 | 124487998/0 | 2 | Cotter Pin | Copiglia | Goupille | Split | |
| 24 | 325547159/1 | 2 | Plate | Piastrina | Plaque | Plättchen | |
| 25 | 112731580/0 | 4 | Screw | Vite | Vis | Schraube | |
| 26 | 382869027/0 | 1 | Muffler Protection | Protezione Silenziatore | Protection Silencieux | Auspuffschutz | |
| 27 | 118737860/0 | 2 | Cap | Puntale | Bouchon | Gummistopfen | |
| 28 | 112734995/0 | 4 | Screw | Vite | Vis | Schraube | |
| 31 | 325599012/0 | 1 | Right Dashboard Support | Supp. Cruscotto Destro | Support Tableau Droit | Rechter Konsolehalter | |
| 32 | 325599013/0 | 1 | Left Dashboard Support | Supp. Cruscotto Sinistro | Support Tableau Gauche | Linker Konsolehalter | |
| 33 | 112815221/0 | 4 | Screw | Vite | Vis | Schraube | |
| 34 | 112521330/0 | 4 | Washer | Rosetta | Rondelle | Scheibe | |
| 35 | 112154510/0 | 4 | Nut | Dado | Écrou | Mutter | |
| 36 | 325120188/2 | 1 | Dashboard, Black | Cruscotto, Nero | Console, Noir | Konsole, Schwarz | |
| 36 | 325120191/2 | 1 | Dashboard, Red | Cruscotto, Rosso | Console Rouge | Konsole, Rot | |
| 37 | 112728440/0 | 2 | Screw | Vite | Vis | Schraube | |
| 38 | 112735402/0 | 2 | Screw | Vite | Vis | Schraube | |
| 39 | 125260000/0 | 2 | Grommet | Gommino | Protection | Schutz | |
| 40 | 325600074/0 | 1 | Card Protection | Protezione Scheda | Protection De Carte | Kartenschutz | |
| 41 | 112735402/0 | 2 | Screw | Vite | Vis | Schraube | |
| 91 | 325110363/0 | 1 | Cover, Red | Copertura Centrale, Rosso | Couvre, Rouge | Kappe, Rot | |
| 93 | 125580020/2 | 2 | Pin | Perno | Pivot | Bolzen | |
| 94 | 325110322/0 | 1 | Red Wheels Cover | Copertura Ruote Rosso | Couvre Roues Rouge | Radenkappe Rot | |
| 95 | 112735402/0 | 4 | Screw | Vite | Vis | Schraube | |
| 96 | 112735402/0 | 2 | Screw | Vite | Vis | Schraube | |
| 97 | 325755041/0 | 2 | Bracket | Squadretta | Equerre-Support | Winkel | |
| 98 | 112728686/0 | 4 | Screw | Vite | Vis | Schraube | |
| 99 | 112735110/0 | 2 | Screw | Vite | Vis | Schraube | |



Steering

13'

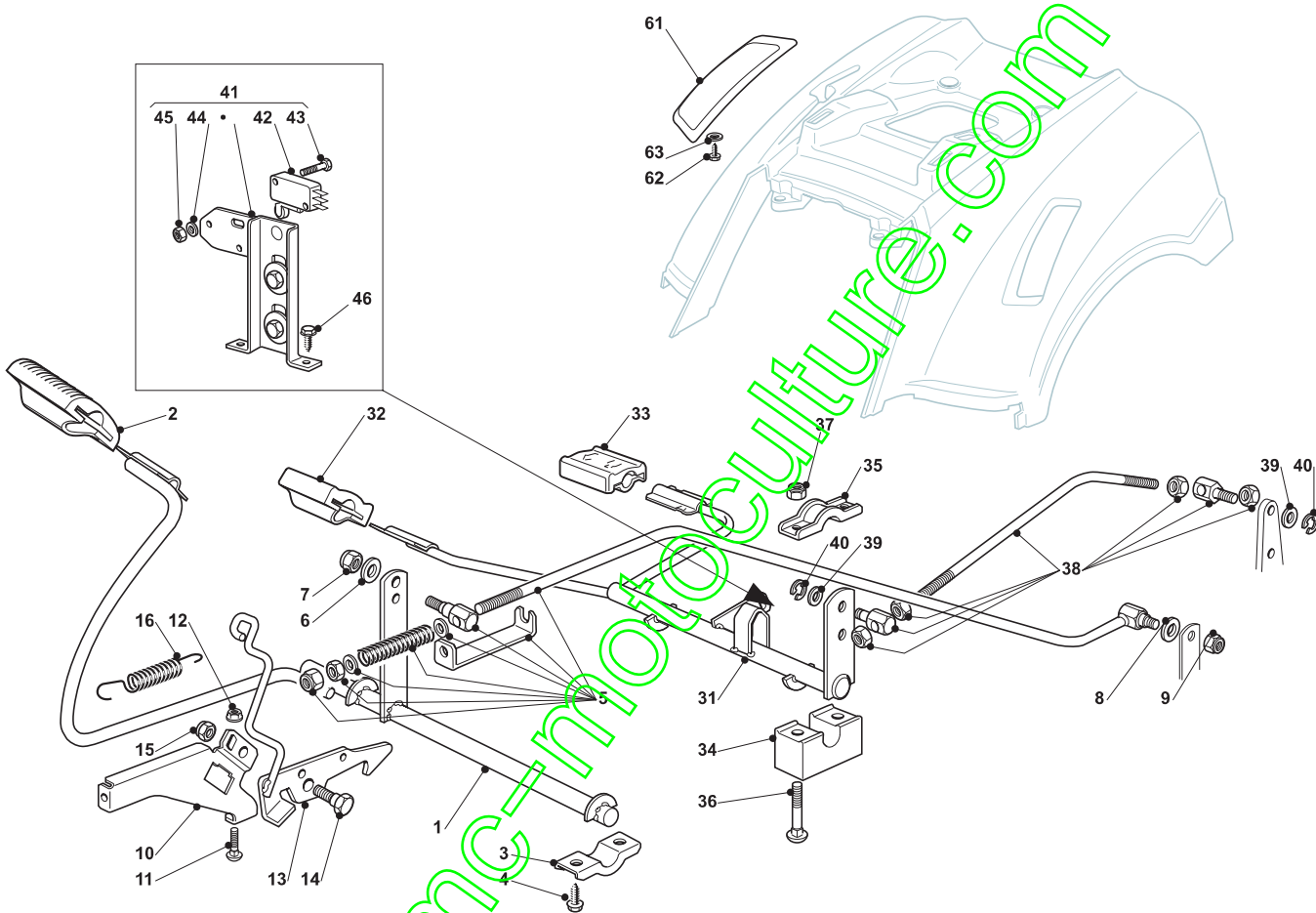
| POS | CODE | Q.TY | DESCRIPTION | DESCRIZIONE | DESCRIPTION | BESCHREIBUNG | NOTES |
|-----|-------------|------|----------------------------------|--|-------------------------------------|-------------------------------------|-------|
| 1 | 325038004/0 | 1 | Bush | Boccola | Douille | Büchse | |
| 2 | 125520006/1 | 1 | Steering Column | Piantone Sterzo | Tube De Direction | Lenkungsaeule | |
| 3 | 127570050/0 | 1 | Pinion | Pignone | Pignon | Ritzel | |
| 4 | 112622650/0 | 1 | Pin | Spina | Goupille | Stift | |
| 5 | 325743000/0 | 1 | Joint Tc/Junior | Snodo | Joint | Gelenk | |
| 6 | 112521370/0 | 1 | Washer | Rondella | Rondelle | Scheibe | |
| 7 | 112436030/0 | 1 | Plate | Piastrina | Plaquette | Plattechén | |
| 8 | 325785213/1 | 1 | Support | Supporto | Support | Halter | |
| 9 | 112729601/1 | 2 | Screw | Vite | Vis | Schraube | |
| 12 | 112379511/0 | 1 | Grease Dispenser | Ingrassatore | Graisseur | Fettbüchse | |
| 13 | 325040624/0 | 2 | Bushing | Bussola | Douille | Büchse | |
| 16 | 125510092/0 | 1 | Pin | Perno | Pivot | Bolzen | |
| 17 | 125670019/0 | 1 | Washer | Rosetta | Rondelle | Scheibe | |
| 18 | 325735513/0 | 1 | Steering Shaft | Settore Sterzo | Secteur Direction | Lenkkranz | |
| 19 | 112523080/0 | 1 | Washer | Rosetta | Rondelle | Scheibe | |
| 20 | 112155020/0 | 1 | Nut | Dado | Ecrou | Mutter | |
| 21 | 325318205/0 | 1 | Lever | Leva | Levier | Hebel | |
| 22 | 112523080/0 | 1 | Washer | Rosetta | Rondelle | Scheibe | |
| 23 | 112794985/0 | 1 | Screw | Vite | Vis | Schraube | |
| 24 | 325743000/0 | 1 | Joint Tc/Junior | Snodo | Joint | Gelenk | |
| 25 | 325785213/1 | 1 | Support | Supporto | Support | Halter | |
| 26 | 112791213/1 | 2 | Screw | Vite | Vis | Schraube | |
| 27 | 112521330/0 | 2 | Washer | Rosetta | Rondelle | Scheibe | |
| 28 | 112154510/0 | 2 | Nut | Dado | Écrou | Mutter | |
| 29 | 382000538/1 | 1 | Steering Rod | Asta Comando Sterzo | Levier Barre De Direction | Lenkungsstab | |
| 30 | 112523070/0 | 2 | Washer | Rondella | Rondelle | Scheibe | |
| 31 | 112155010/0 | 2 | Nut | Dado | Écrou | Mutter | |
| 41 | 382034021/1 | 1 | Equalizer W/ Bush And Lubricator | Bilanciere Con Boccola Ed Ingrassatore | Balancier Avec Douille Et Graisseur | Kipphebel Mit Büchse Und Fettbüchse | |
| 42 | 325040622/0 | 4 | Bushing | Boccola | Douille | Büchse | |
| 43 | 112379511/0 | 2 | Grease Dispenser | Ingrassatore | Graisseur | Fettbüchse | |
| 44 | 125160016/0 | 1 | Equalizer Spacer | Distanziale | Entretoise | Entfernungsstück | |
| 45 | 112692695/0 | 1 | Screw | Vite | Vis | Schraube | |
| 46 | 112523100/0 | 2 | Washer | Rondella | Rondelle | Scheibe | |
| 47 | 112587100/0 | 1 | Grower | Grower | Grower | Grower | |
| 48 | 112295300/0 | 1 | Nut | Dado | Écrou | Mutter | |
| 49 | 382230363/0 | 1 | Right Stub Axle | Fusello Destro | Fuseau Droit | Rechter Achsschenkel | |
| 50 | 382230365/0 | 1 | Left Stub Axle | Fusello Sinistro | Fuseau Gauche | Linker Achsschenkel | |
| 51 | 112001000/0 | 2 | Benzing Ring | Anello Benzing | Anneau Benzing | Ring Benzing | |
| 52 | 325743000/0 | 1 | Joint Tc/Junior | Snodo | Joint | Gelenk | |
| 53 | 325785213/1 | 1 | Support | Supporto | Support | Halter | |
| 54 | 112791213/1 | 2 | Screw | Vite | Vis | Schraube | |
| 55 | 112521330/0 | 2 | Washer | Rosetta | Rondelle | Scheibe | |
| 56 | 112154510/0 | 2 | Nut | Dado | Écrou | Mutter | |
| 57 | 125840022/0 | 1 | Tie Rod | Tirante Collegamento Fuselli | Tirant | Spannstange | |
| 58 | 125510096/0 | 2 | Pin | Perno | Pivot | Bolzen | |
| 59 | 112295200/0 | 2 | Nut | Dado | Ecrou | Mutter | |
| 60 | 112156602/0 | 2 | Nut | Dado | Écrou | Mutter | |
| 61 | 112000956/0 | 2 | Benzing Ring | Anello Benzing | Anneau Benzing | Ring Benzing | |



Steering

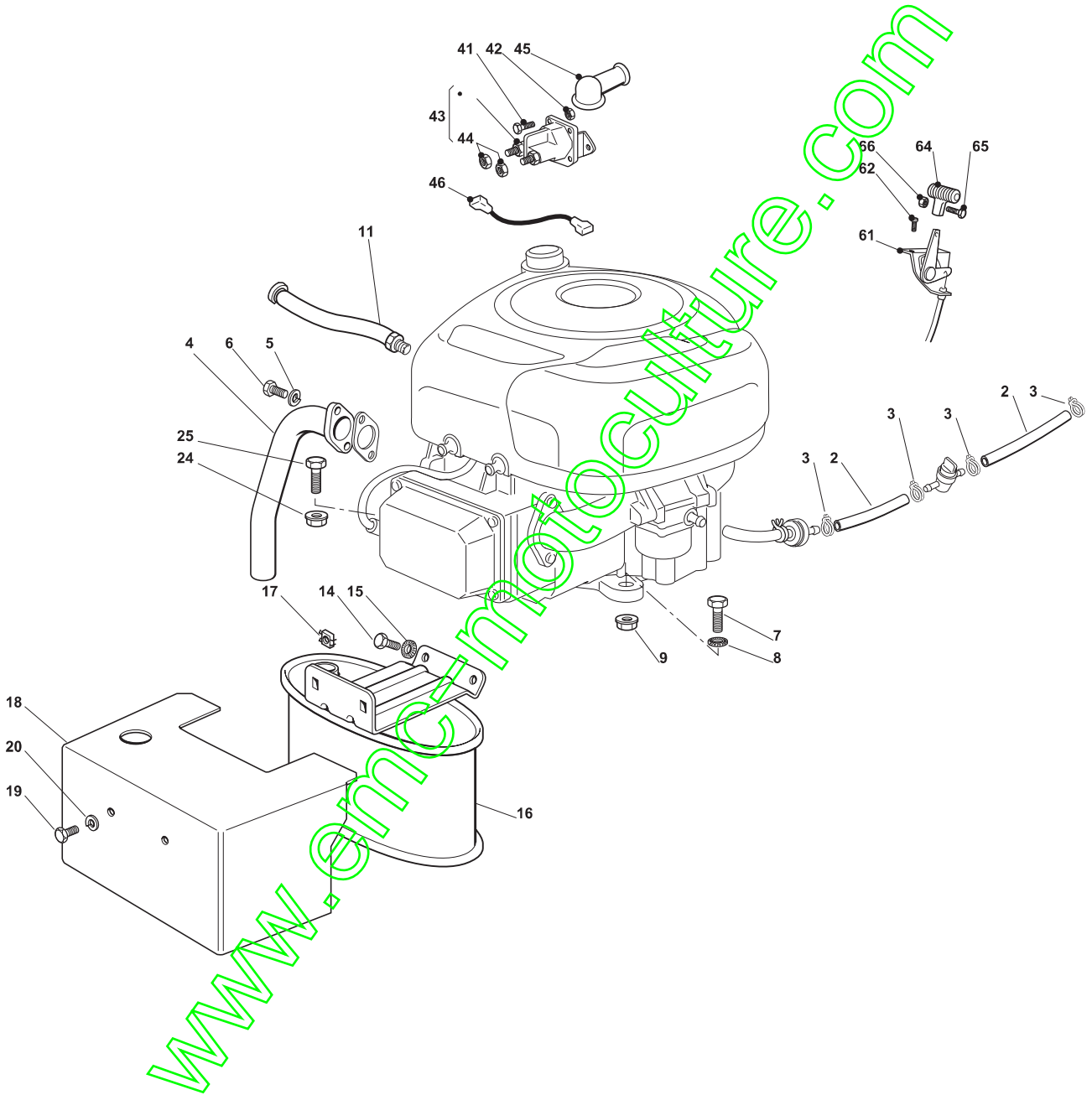
15'

| POS | CODE | Q.TY | DESCRIPTION | DESCRIZIONE | DESCRIPTION | BESCHREIBUNG | NOTES |
|-----|-------------|------|----------------------------------|--|-------------------------------------|-------------------------------------|-------|
| 1 | 325038004/0 | 1 | Bush | Boccola | Douille | Büchse | |
| 2 | 125520006/1 | 1 | Steering Column | Piantone Sterzo | Tube De Direction | Lenkungsaeule | |
| 3 | 127570050/0 | 1 | Pinion | Pignone | Pignon | Ritzel | |
| 4 | 112622650/0 | 1 | Pin | Spina | Goupille | Stift | |
| 5 | 325743000/0 | 1 | Joint Tc/Junior | Snodo | Joint | Gelenk | |
| 6 | 112521370/0 | 1 | Washer | Rondella | Rondelle | Scheibe | |
| 7 | 112436030/0 | 1 | Plate | Piastrina | Plaquette | Plattechén | |
| 8 | 325785213/1 | 1 | Support | Supporto | Support | Halter | |
| 9 | 112729601/1 | 2 | Screw | Vite | Vis | Schraube | |
| 12 | 112379511/0 | 1 | Grease Dispenser | Ingrassatore | Graisseur | Fettbüchse | |
| 13 | 325040624/0 | 2 | Bushing | Bussola | Douille | Büchse | |
| 16 | 125510092/0 | 1 | Pin | Perno | Pivot | Bolzen | |
| 17 | 125670019/0 | 1 | Washer | Rosetta | Rondelle | Scheibe | |
| 18 | 325735513/0 | 1 | Steering Shaft | Settore Sterzo | Secteur Direction | Lenkkranz | |
| 19 | 112523080/0 | 1 | Washer | Rosetta | Rondelle | Scheibe | |
| 20 | 112155020/0 | 1 | Nut | Dado | Ecrou | Mutter | |
| 21 | 325318205/0 | 1 | Lever | Leva | Levier | Hebel | |
| 22 | 112523080/0 | 1 | Washer | Rosetta | Rondelle | Scheibe | |
| 23 | 112794985/0 | 1 | Screw | Vite | Vis | Schraube | |
| 24 | 325743000/0 | 1 | Joint Tc/Junior | Snodo | Joint | Gelenk | |
| 25 | 325785213/1 | 1 | Support | Supporto | Support | Halter | |
| 26 | 112791213/1 | 2 | Screw | Vite | Vis | Schraube | |
| 27 | 112521330/0 | 2 | Washer | Rosetta | Rondelle | Scheibe | |
| 28 | 112154510/0 | 2 | Nut | Dado | Écrou | Mutter | |
| 29 | 382000539/1 | 1 | Steering Rod | Asta Comando Sterzo | Levier Barre De Direction | Lenkungsstab | |
| 30 | 112523070/0 | 2 | Washer | Rondella | Rondelle | Scheibe | |
| 31 | 112155010/0 | 2 | Nut | Dado | Écrou | Mutter | |
| 41 | 382034024/1 | 1 | Equalizer W/ Bush And Lubricator | Bilanciere Con Boccola Ed Ingrassatore | Balancier Avec Douille Et Graisseur | Kipphebel Mit Büchse Und Fettbüchse | |
| 42 | 125034002/1 | 4 | Bush | Boccola | Douille | Büchse | |
| 43 | 112379511/0 | 2 | Grease Dispenser | Ingrassatore | Graisseur | Fettbüchse | |
| 44 | 125160016/0 | 1 | Equalizer Spacer | Distanziale | Entretoise | Entfernungsstück | |
| 45 | 112692695/0 | 1 | Screw | Vite | Vis | Schraube | |
| 46 | 112523100/0 | 2 | Washer | Rondella | Rondelle | Scheibe | |
| 47 | 112587100/0 | 1 | Grower | Grower | Grower | Grower | |
| 48 | 112295300/0 | 1 | Nut | Dado | Écrou | Mutter | |
| 49 | 382230363/0 | 1 | Right Stub Axle | Fusello Destro | Fuseau Droit | Rechter Achsschenkel | |
| 50 | 382230365/0 | 1 | Left Stub Axle | Fusello Sinistro | Fuseau Gauche | Linker Achsschenkel | |
| 51 | 112001000/0 | 2 | Benzing Ring | Anello Benzing | Anneau Benzing | Ring Benzing | |
| 52 | 325743000/0 | 1 | Joint Tc/Junior | Snodo | Joint | Gelenk | |
| 53 | 325785213/1 | 1 | Support | Supporto | Support | Halter | |
| 54 | 112791213/1 | 2 | Screw | Vite | Vis | Schraube | |
| 55 | 112521330/0 | 2 | Washer | Rosetta | Rondelle | Scheibe | |
| 56 | 112154510/0 | 2 | Nut | Dado | Écrou | Mutter | |
| 57 | 125840023/0 | 1 | Tie Rod | Tirante Colleg. Fuselli | Tirant | Spannstange | |
| 58 | 122746609/0 | 2 | Joint | Snodo | Joint | Gelenk | |
| 59 | 112156602/0 | 2 | Nut | Dado | Écrou | Mutter | |
| 60 | 112295201/0 | 2 | Nut | Dado | Ecrou | Mutter | |



Brake And Gearbox Controls Hydro-Gear

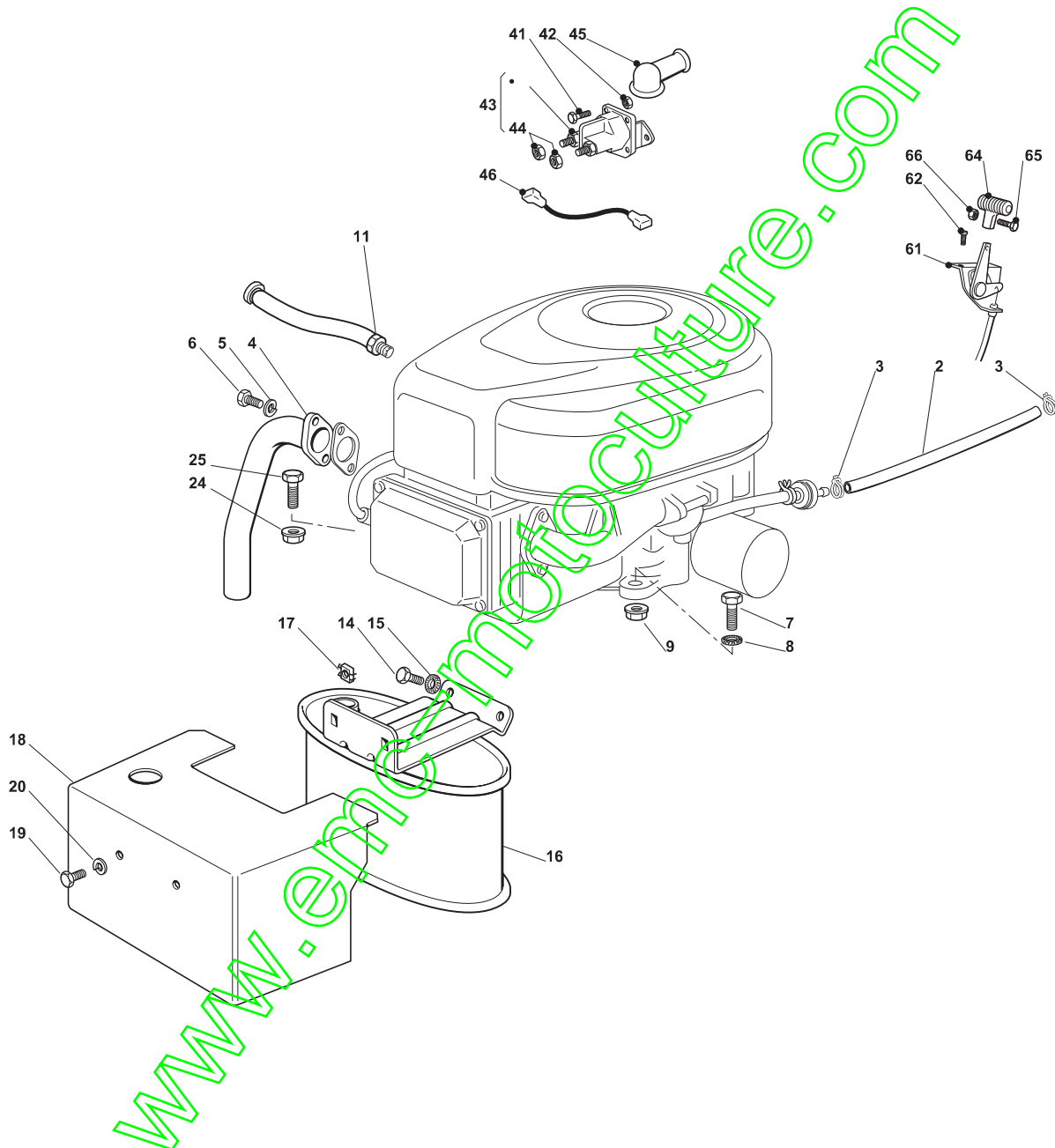
| POS | CODE | Q.TY | DESCRIPTION | DESCRIZIONE | DESCRIPTION | BESCHREIBUNG | NOTES |
|-----|-------------|------|-------------------|------------------------|-----------------------|--------------------|-------|
| 1 | 382500029/1 | 1 | Pedal | Pedale | Pedal | Pedal | |
| 2 | 325110416/0 | 1 | Clamp Cover | Copristaffa | Couvre Etrier | Bridedeckel | |
| 3 | 327546015/2 | 2 | Plate | Piastrina | Plaque | Platte | |
| 4 | 112729601/1 | 4 | Screw | Vite | Vis | Schraube | |
| 5 | 382000627/0 | 1 | Rod | Asta | Barre | Stange | |
| 6 | 112521350/0 | 1 | Washer | Rondella | Rondelle | Scheibe | |
| 7 | 112155000/0 | 1 | Nut | Dado | Écrou | Mutter | |
| 8 | 112521350/0 | 1 | Washer | Rondella | Rondelle | Scheibe | |
| 9 | 112155000/0 | 1 | Nut | Dado | Écrou | Mutter | |
| 10 | 325785261/0 | 1 | Support | Supporto | Support | Halter | |
| 11 | 112815200/0 | 2 | Screw | Vite | Vis | Schraube | |
| 12 | 112292102/0 | 2 | Nut | Dado | Ecrou | Mutter | |
| 13 | 382000531/0 | 1 | Rod | Asta | Tige | Stange | |
| 14 | 122524970/2 | 1 | Fulcrum Pin | Perno Fulcro | Pivot | Gelenkpunkt | |
| 15 | 112155000/0 | 1 | Nut | Dado | Écrou | Mutter | |
| 16 | 125430213/0 | 1 | Spring | Molla | Ressort | Feder | |
| 31 | 382000605/0 | 1 | Drive Pedal | Pedale Avanzamento | Pedale Transmission | Getriebepedal | |
| 32 | 325110417/0 | 1 | Clamp Cover Front | Copristaffa Anteriore | Couvre Etrier Avant | Bridedeckel Vorde | |
| 33 | 325110418/0 | 1 | Clamp Cover Rear | Copristaffa Posteriore | Couvre Etrier Arriere | Bridedeckel Hinter | |
| 34 | 325785185/0 | 2 | Support | Supporto | Support | Halter | |
| 35 | 327546015/2 | 2 | Plate | Piastrina | Plaque | Platte | |
| 36 | 112815245/0 | 4 | Screw | Vite | Vis | Schraube | |
| 37 | 112154510/0 | 4 | Nut | Dado | Écrou | Mutter | |
| 38 | 382000578/0 | 1 | Rod | Asta | Barre | Stange | |
| 39 | 112523040/0 | 2 | Washer | Rondella | Rondelle | Scheibe | |
| 40 | 112000940/0 | 2 | Benzing Ring | Anello Benzing | Anneau Benzing | Ring Benzing | |
| 41 | 382394853/0 | 1 | Switch Ass.Y | Ass. Micro | Micro. Ens. | Mikrosatz | |
| 42 | 119410609/0 | 1 | Micro Switch | Micro Interruttore | Mikroschalter | Mikroschalter | |
| 43 | 112735602/0 | 2 | Screw | Vite | Vis | Schraube | |
| 44 | 112581100/0 | 2 | Grower | Grower | Grower | Grower | |
| 45 | 112290791/0 | 2 | Nut | Dado | Ecrou | Mutter | |
| 46 | 112735110/0 | 2 | Screw | Vite | Vis | Schraube | |
| 61 | 325207171/0 | 1 | Cover | Copertura | Couvre | Kappe | |
| 62 | 112735402/0 | 2 | Screw | Vite | Vis | Schraube | |
| 63 | 112523050/0 | 4 | Washer | Rosetta | Rondelle | Scheibe | |



Engine - B&S 11,5-12,5-13,5

| POS | CODE | Q.TY | DESCRIPTION | DESCRIZIONE | DESCRIPTION | BESCHREIBUNG | NOTES |
|-----|--------------|------|--------------------|-------------------------|-----------------------|------------------|-------|
| 2 | 325869057/0 | 1 | Connecting Tube | Tubo Collegamento | Tube De Connexion | Verbindungsrohr | |
| 3 | 118375051/1 | 4 | Fair Led | Fascetta | Fixation De Cable | Kabelbefestigung | |
| 4 | 118738224/0 | 1 | Exhaust Tube | Tubo Raccordo Scarico | Connexion Echappement | Krummer | |
| 5 | 112583500/0 | 2 | Grower | Grower | Grower | Grower | |
| 6 | 112735530/0 | 2 | Screw | Vite | Vis | Schraube | |
| 7 | 112691115/0 | 1 | Screw | Vite | Vis | Schraube | |
| 8 | 112540260/0 | 1 | Grower | Grower | Grower | Federring | |
| 9 | 112154210/0 | 1 | Nut | Dado | Ecrou | Mutter | |
| 11 | 1134-5827-01 | 1 | Oil Drain Assy | Oil Drain Assy | Oil Drain Assy | Oil Drain Assy | |
| 14 | 112793102/0 | 2 | Screw | Vite | Vis | Schraube | |
| 15 | 112540260/0 | 2 | Grower | Grower | Grower | Federring | |
| 16 | 182750010/0 | 1 | Muffler | Silenziatore | Silencieux | Schalldämpfer | |
| 17 | 112360425/0 | 2 | Nut | Dado | Ecrou | Mutter | |
| 18 | 382598009/2 | 1 | Muffler Protection | Protezione Silenziatore | Protection Silencieux | Auspuffschutz | |
| 19 | 112792611/0 | 2 | Screw | Vite | Vis | Schraube | |
| 20 | 112583500/0 | 2 | Grower | Grower | Grower | Grower | |
| 24 | 112154210/0 | 3 | Nut | Dado | Ecrou | Mutter | |
| 25 | 112691100/0 | 3 | Screw | Vite | Vis | Schraube | |
| 41 | 112791213/1 | 2 | Screw | Vite | Vis | Schraube | |
| 42 | 112292102/0 | 2 | Nut | Dado | Ecrou | Mutter | |
| 43 | 118736110/0 | 1 | Starter Relay | Relé Avviamento | Relais D'Allumage | Anlassrelais | |
| 44 | 112360352/0 | 2 | Nut | Dado | Ecrou | Mutter | |
| 45 | 118564861/1 | 1 | Protection | Cappuccio | Capuchon | Stecker | |
| 46 | 125065017/0 | 1 | Cable | Cavo Relé Avv. | Cable | Kabel | |
| 61 | 182000200/1 | 1 | Throttle Cable | Cavo Acceleratore | Câble Accélérateur | Gashebel Kabel | |
| 62 | 125943012/0 | 2 | Screw | Vite | Vis | Schraube | |
| 64 | 325592000/0 | 1 | Knob | Manopolina | Poignee | Knopf | |
| 65 | 112726388/0 | 1 | Screw | Vite | Vis | Schraube | |
| 66 | 112290800/0 | 1 | Nut | Dado | Ecrou | Mutter | |

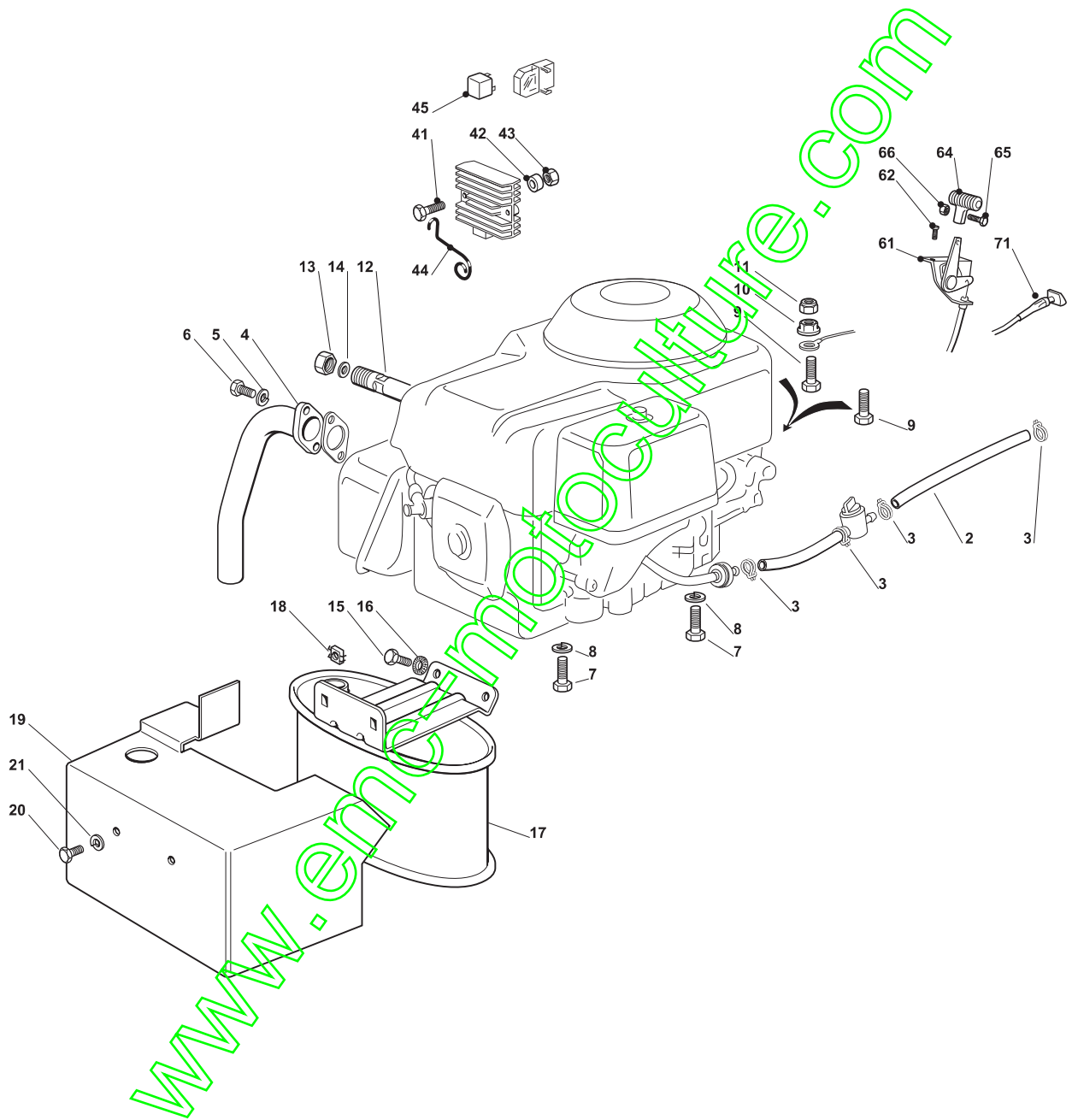
www.emc-motoculture.com



Engine - B&S 15,5-16,5

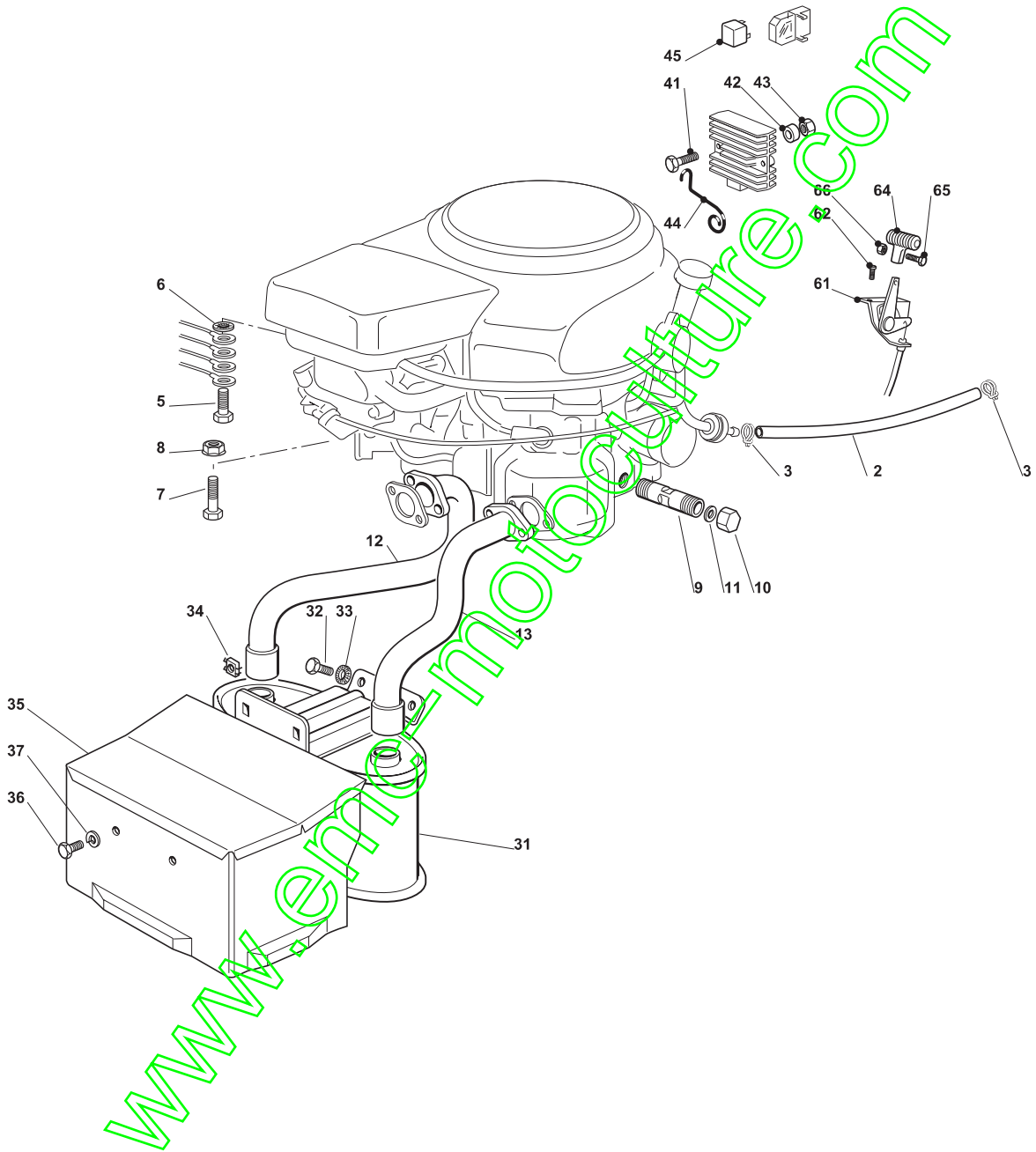
| POS | CODE | Q.TY | DESCRIPTION | DESCRIZIONE | DESCRIPTION | BESCHREIBUNG | NOTES |
|-----|--------------|------|-------------------------|-------------------------|----------------------------|-------------------------|-------|
| 2 | 325869057/0 | 1 | Connecting Tube | Tubo Collegamento | Tube De Connexion | Verbindungsrohr | |
| 3 | 118375051/1 | 2 | Fair Led | Fascetta | Fixation De Cable | Kabelbefestigung | |
| 4 | 118738206/0 | 1 | Discharged Connect.Tube | Tubo Raccordo Scarico | Tube Connexion Echappement | Discharged Connect.Tube | |
| 5 | 112583500/0 | 2 | Grower | Grower | Grower | Grower | |
| 6 | 112735530/0 | 2 | Screw | Vite | Vis | Schraube | |
| 7 | 112691115/0 | 1 | Screw | Vite | Vis | Schraube | |
| 8 | 112540260/0 | 1 | Grower | Grower | Grower | Federring | |
| 9 | 112154210/0 | 1 | Nut | Dado | Ecrou | Mutter | |
| 11 | 1134-5827-01 | 1 | Oil Drain Assy | Oil Drain Assy | Oil Drain Assy | Oil Drain Assy | |
| 14 | 112793102/0 | 2 | Screw | Vite | Vis | Schraube | |
| 15 | 112540260/0 | 2 | Grower | Grower | Grower | Federring | |
| 16 | 182750010/0 | 1 | Muffler | Silenziatore | Silencieux | Schalldämpfer | |
| 17 | 112360425/0 | 2 | Nut | Dado | Ecrou | Mutter | |
| 18 | 382598009/2 | 1 | Muffler Protection | Protezione Silenziatore | Protection Silencieux | Auspuffschutz | |
| 19 | 112792611/0 | 2 | Screw | Vite | Vis | Schraube | |
| 20 | 112583500/0 | 2 | Grower | Grower | Grower | Grower | |
| 24 | 112154210/0 | 3 | Nut | Dado | Ecrou | Mutter | |
| 25 | 112691100/0 | 3 | Screw | Vite | Vis | Schraube | |
| 41 | 112791213/1 | 2 | Screw | Vite | Vis | Schraube | |
| 42 | 112292102/0 | 2 | Nut | Dado | Ecrou | Mutter | |
| 43 | 118736110/0 | 1 | Starter Relay | Relé Avviamento | Relais D'Allumage | Anlassrelais | |
| 44 | 112360352/0 | 2 | Nut | Dado | Ecrou | Mutter | |
| 45 | 118564861/1 | 1 | Protection | Cappuccio | Capuchon | Stecker | |
| 46 | 125065017/0 | 1 | Cable | Cavo Relé Avv. | Cable | Kabel | |
| 61 | 182000200/1 | 1 | Throttle Cable | Cavo Acceleratore | Câble Accélérateur | Gashebel Kabel | |
| 62 | 125943012/0 | 2 | Screw | Vite | Vis | Schraube | |
| 64 | 325592000/0 | 1 | Knob | Manopolina | Poignee | Knopf | |
| 65 | 112726388/0 | 1 | Screw | Vite | Vis | Schraube | |
| 66 | 112290800/0 | 1 | Nut | Dado | Ecrou | Mutter | |

www.emc-motoculture.com



Engine - Honda GCV 390

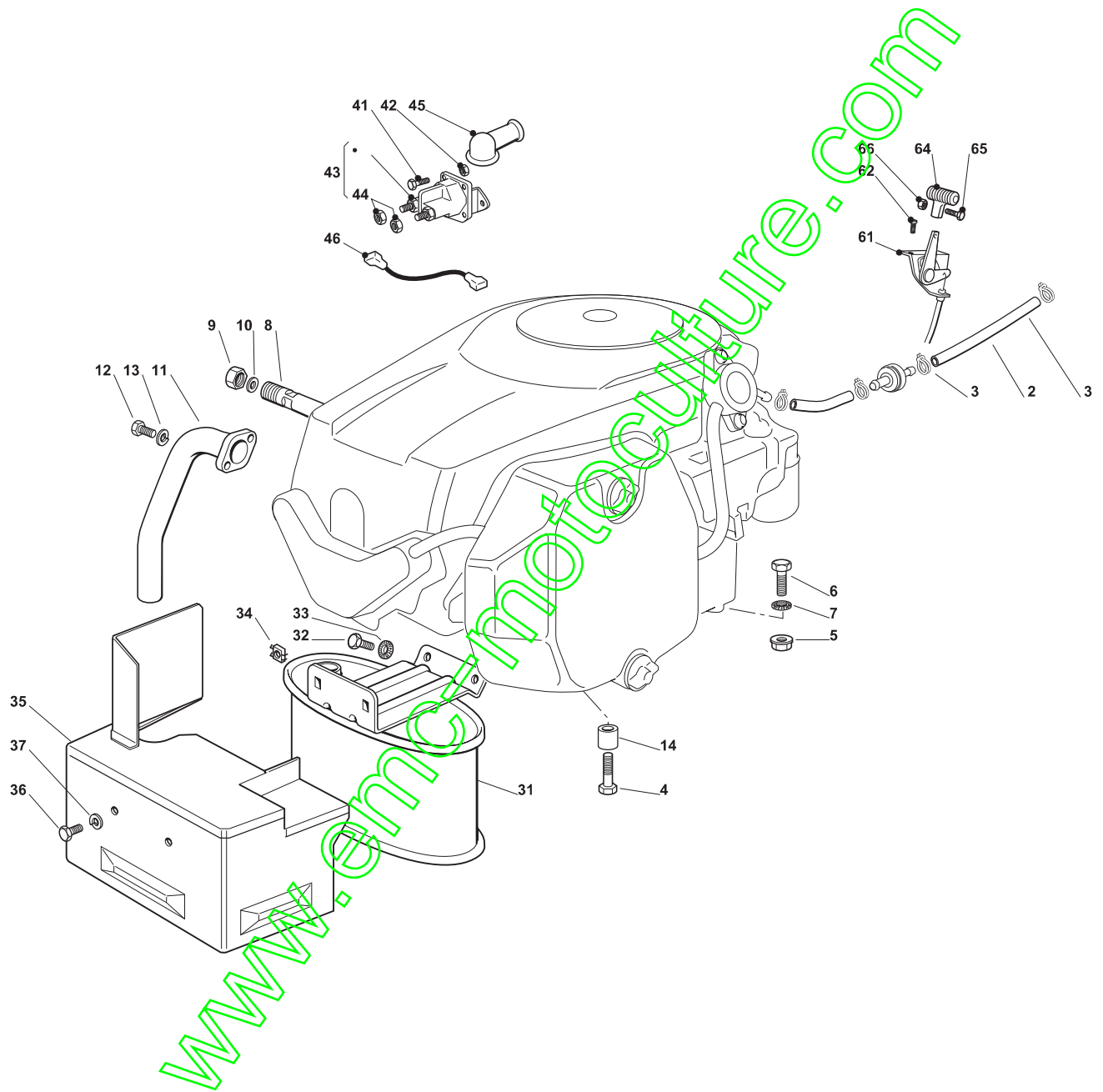
| POS | CODE | Q.TY | DESCRIPTION | DESCRIZIONE | DESCRIPTION | BESCHREIBUNG | NOTES |
|-----|-------------|------|-------------------------|-------------------------|-----------------------------|-------------------------|-------|
| 2 | 325869057/0 | 1 | Connecting Tube | Tubo Collegamento | Tube De Connexion | Verbindungsrohr | |
| 3 | 118375051/1 | 4 | Fair Led | Fascetta | Fixation De Cable | Kabelbefestigung | |
| 4 | 118738204/0 | 1 | Discharged Connect.Tube | Tubo Raccordo Scarico | Tube Connexion Echappement | Discharged Connect.Tube | |
| 5 | 112583500/0 | 2 | Grower | Grower | Grower | Grower | |
| 6 | 112793102/0 | 2 | Screw | Vite | Vis | Schraube | |
| 7 | 112735802/0 | 2 | Screw | Vite | Vis | Schraube | |
| 8 | 112583500/0 | 2 | Grower | Grower | Grower | Grower | |
| 9 | 112691100/0 | 2 | Screw | Vite | Vis | Schraube | |
| 10 | 112154210/0 | 2 | Nut | Dado | Ecrou | Mutter | |
| 11 | 112155000/0 | 1 | Nut | Dado | Écrou | Mutter | |
| 12 | 125598050/0 | 1 | Oil Discharge Extension | Prolunga Scarico Olio | Rallonge Dechargement Huile | Öl Abfluss | |
| 13 | 118737849/0 | 1 | Plug | Tappo | Bouchon | Verschlussstopfen | |
| 14 | 118401001/1 | 1 | Oil Seal | Guarnizione | Garniture | Dichtung | |
| 15 | 112792611/0 | 2 | Screw | Vite | Vis | Schraube | |
| 16 | 112540260/0 | 2 | Grower | Grower | Grower | Federring | |
| 17 | 182750010/0 | 1 | Muffler | Silenziatore | Silencieux | Schalldämpfer | |
| 18 | 112360425/0 | 2 | Nut | Dado | Ecrou | Mutter | |
| 19 | 382598003/1 | 1 | Muffler Protection | Protezione Silenziatore | Protection Silencieux | Auspuffschutz | |
| 20 | 125943012/0 | 2 | Screw | Vite | Vis | Schraube | |
| 21 | 112583500/0 | 2 | Grower | Grower | Grower | Grower | |
| 41 | 112815221/0 | 2 | Screw | Vite | Vis | Schraube | |
| 42 | 122170950/0 | 2 | Spacer | Distanziale | Entretoise | Distanzring | |
| 43 | 112292102/0 | 2 | Nut | Dado | Ecrou | Mutter | |
| 44 | 127430561/0 | 1 | Spring | Molla | Ressort | Feder | |
| 45 | 133567000/0 | 1 | Relay | Rele' | Relais | Relais | |
| 61 | 184000251/1 | 1 | Throttle Cable | Cavo Acceleratore | Câble Accélérateur | Gashebel Kabel | |
| 62 | 112788512/0 | 2 | Screw | Vite | Vis | Schraube | |
| 64 | 325592000/0 | 1 | Knob | Manopolina | Poignee | Knopf | |
| 65 | 112726388/0 | 1 | Screw | Vite | Vis | Schraube | |
| 66 | 112290800/0 | 1 | Nut | Dado | Ecrou | Mutter | |
| 71 | 125090007/0 | 1 | Choke Control | Comando Starter | Commande Starter | Starter Betaetigung | |



Engine - Honda GCV 530

| POS | CODE | Q.TY | DESCRIPTION | DESCRIZIONE | DESCRIPTION | BESCHREIBUNG | NOTES |
|-----|-------------|------|--------------------------|-------------------------|------------------------------|--------------------------|-------|
| 2 | 325869057/0 | 1 | Connecting Tube | Tubo Collegamento | Tube De Connexion | Verbindungsrohr | |
| 3 | 118375051/1 | 2 | Fair Led | Fascetta | Fixation De Cable | Kabelbefestigung | |
| 5 | 112735599/0 | 1 | Screw | Vite | Vis | Schraube | |
| 6 | 112540260/0 | 1 | Grower | Grower | Grower | Federring | |
| 7 | 112691115/0 | 4 | Screw | Vite | Vis | Schraube | |
| 8 | 112154210/0 | 4 | Nut | Dado | Ecrou | Mutter | |
| 10 | 118737849/0 | 1 | Plug | Tappo | Bouchon | Verschlussstopfen | |
| 11 | 118401001/1 | 1 | Oil Seal | Guarnizione | Garniture | Dichtung | |
| 12 | 118738221/0 | 1 | Exhaust Tube Right | Tubo Scarico Destro | Tube Echappement Droit | Abgasrohr, Rechte | |
| 13 | 118738222/0 | 1 | Right Exhaust Connection | Raccordo Scarico Destro | Connexion Echappement Droite | Auspuffanschluss, Rechte | |
| 31 | 182750003/0 | 1 | Muffler Assy | Ass. Silenziatore | Silencieux | Set Schalldämpfer | |
| 32 | 112793102/0 | 2 | Screw | Vite | Vis | Schraube | |
| 33 | 112540260/0 | 2 | Grower | Grower | Grower | Federring | |
| 34 | 112360425/0 | 2 | Nut | Dado | Ecrou | Mutter | |
| 35 | 382598005/2 | 1 | Muffler Protection | Protezione Silenziatore | Protection Silencieux | Auspuffschutz | |
| 36 | 112792611/0 | 2 | Screw | Vite | Vis | Schraube | |
| 37 | 112583500/0 | 2 | Grower | Grower | Grower | Grower | |
| 41 | 112815221/0 | 2 | Screw | Vite | Vis | Schraube | |
| 42 | 122170950/0 | 2 | Spacer | Distanziale | Entretoise | Distanzring | |
| 43 | 112292102/0 | 2 | Nut | Dado | Ecrou | Mutter | |
| 44 | 127430561/0 | 1 | Spring | Molla | Ressort | Feder | |
| 45 | 133567000/0 | 1 | Relay | Rele' | Relais | Relais | |
| 61 | 182000201/2 | 1 | Accelerator | Acceleratore | Accelérateur | Gas Zug | |
| 62 | 125943012/0 | 2 | Screw | Vite | Vis | Schraube | |
| 64 | 325592000/0 | 1 | Knob | Manopolina | Poignee | Knopf | |
| 65 | 112726388/0 | 1 | Screw | Vite | Vis | Schraube | |
| 66 | 112290800/0 | 1 | Nut | Dado | Ecrou | Mutter | |

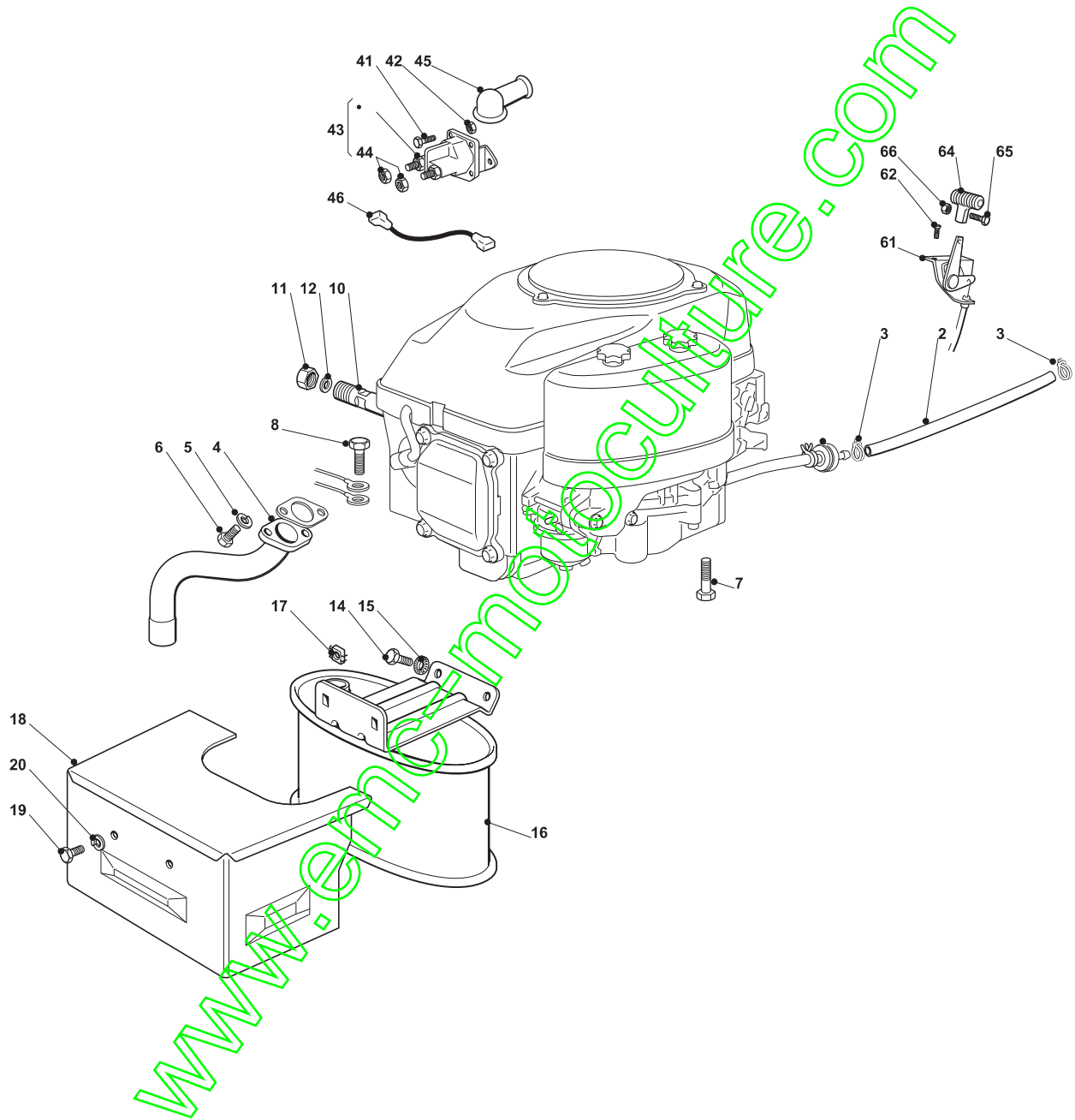
www.emc-motoculture.com



Engine - Kohler 16

| POS | CODE | Q.TY | DESCRIPTION | DESCRIZIONE | DESCRIPTION | BESCHREIBUNG | NOTES |
|-----|-------------|------|-------------------------|-------------------------|-----------------------------|-------------------|-------|
| 2 | 325869057/0 | 1 | Connecting Tube | Tubo Collegamento | Tube De Connexion | Verbindungsrohr | |
| 3 | 118375051/1 | 2 | Fair Led | Fascetta | Fixation De Cable | Kabelbefestigung | |
| 4 | 112735108/1 | 3 | Screw | Vite | Vis | Schraube | |
| 5 | 112154210/0 | 1 | Nut | Dado | Ecrou | Mutter | |
| 6 | 112691115/0 | 1 | Screw | Vite | Vis | Schraube | |
| 7 | 112540260/0 | 1 | Grower | Grower | Grower | Federring | |
| 8 | 127598060/0 | 1 | Oil Discharge Extension | Prolunga Scarico Olio | Rallonge Dechargement Huile | Öl Abfluss | |
| 9 | 118737849/0 | 1 | Plug | Tappo | Bouchon | Verschlussstopfen | |
| 10 | 118401001/1 | 1 | Oil Seal | Guarnizione | Garniture | Dichtung | |
| 11 | 118738227/0 | 1 | Exhaust Tube | Tubo Raccordo Scarico | Connexion Echappement | Krummer | |
| 12 | 112735530/0 | 2 | Screw | Vite | Vis | Schraube | |
| 13 | 112583500/0 | 2 | Grower | Grower | Grower | Grower | |
| 14 | 125160035/0 | 3 | Spacer | Distanziale | Entretoise | Distanzring | |
| 31 | 182750010/0 | 1 | Muffler | Silenziatore | Silencieux | Schalldämpfer | |
| 32 | 112793102/0 | 2 | Screw | Vite | Vis | Schraube | |
| 33 | 112540260/0 | 2 | Grower | Grower | Grower | Federring | |
| 34 | 112360425/0 | 2 | Nut | Dado | Ecrou | Mutter | |
| 35 | 382598029/0 | 1 | Muffler Protection | Protezione Silenziatore | Protection Silencieux | Auspuffschutz | |
| 36 | 112792611/0 | 2 | Screw | Vite | Vis | Schraube | |
| 37 | 112583500/0 | 2 | Grower | Grower | Grower | Grower | |
| 41 | 112791011/0 | 2 | Screw | Vite | Vis | Schraube | |
| 42 | 112292102/0 | 2 | Nut | Dado | Ecrou | Mutter | |
| 43 | 118736110/0 | 1 | Starter Relay | Relé Avviamento | Relais D'Allumage | Anlassrelais | |
| 44 | 112360352/0 | 2 | Nut | Dado | Ecrou | Mutter | |
| 45 | 118564861/1 | 1 | Protection | Cappuccio | Capuchon | Stecker | |
| 46 | 125065017/0 | 1 | Cable | Cavo Relé Avv. | Cable | Kabel | |
| 61 | 182000200/1 | 1 | Throttle Cable | Cavo Acceleratore | Câble Accélérateur | Gashebel Kabel | |
| 62 | 125943012/0 | 2 | Screw | Vite | Vis | Schraube | |
| 64 | 325592000/0 | 1 | Knob | Manopolina | Poignée | Knopf | |
| 65 | 112726388/0 | 1 | Screw | Vite | Vis | Schraube | |
| 66 | 112290800/0 | 1 | Nut | Dado | Ecrou | Mutter | |

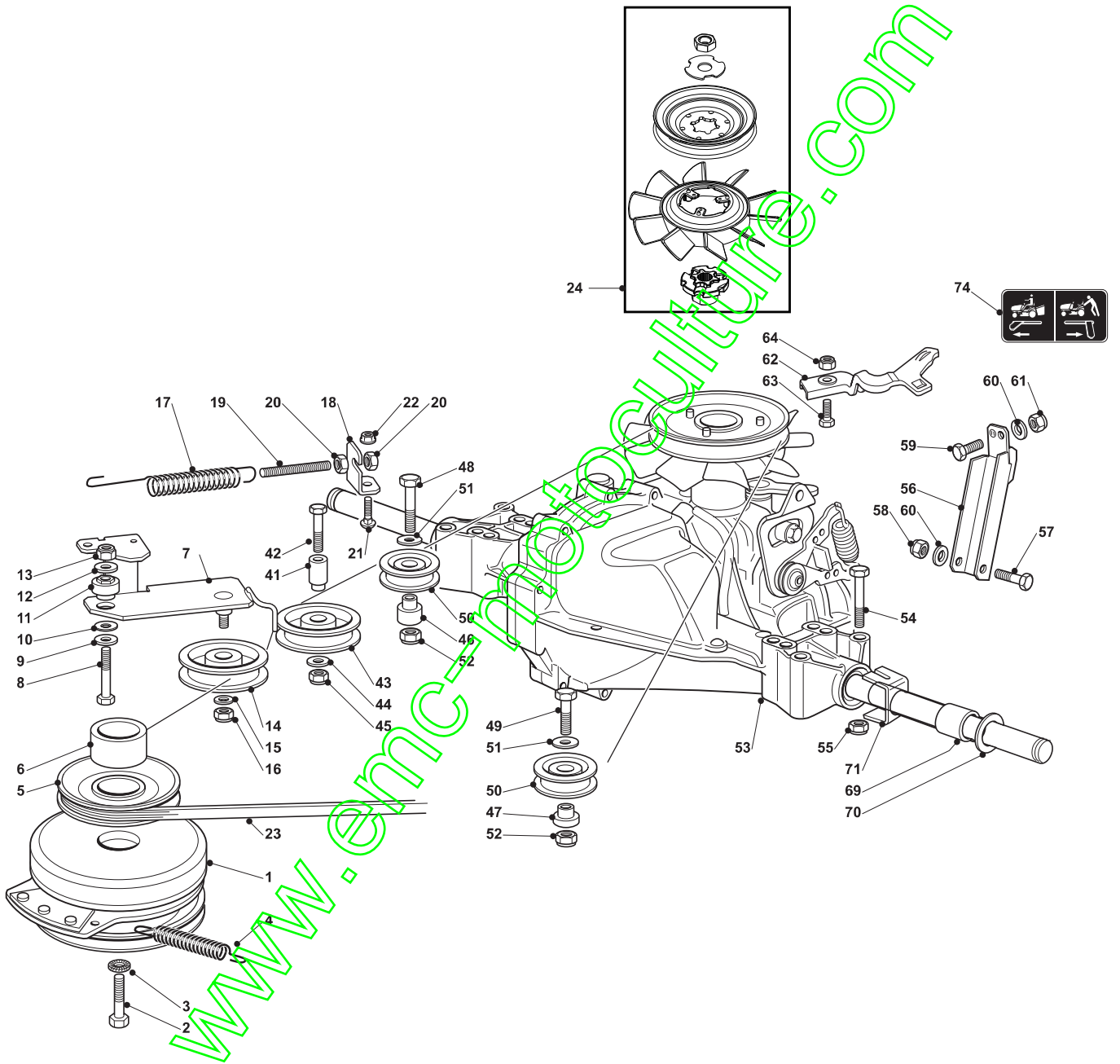
www.emc-motoculture.com



Engine - GGP

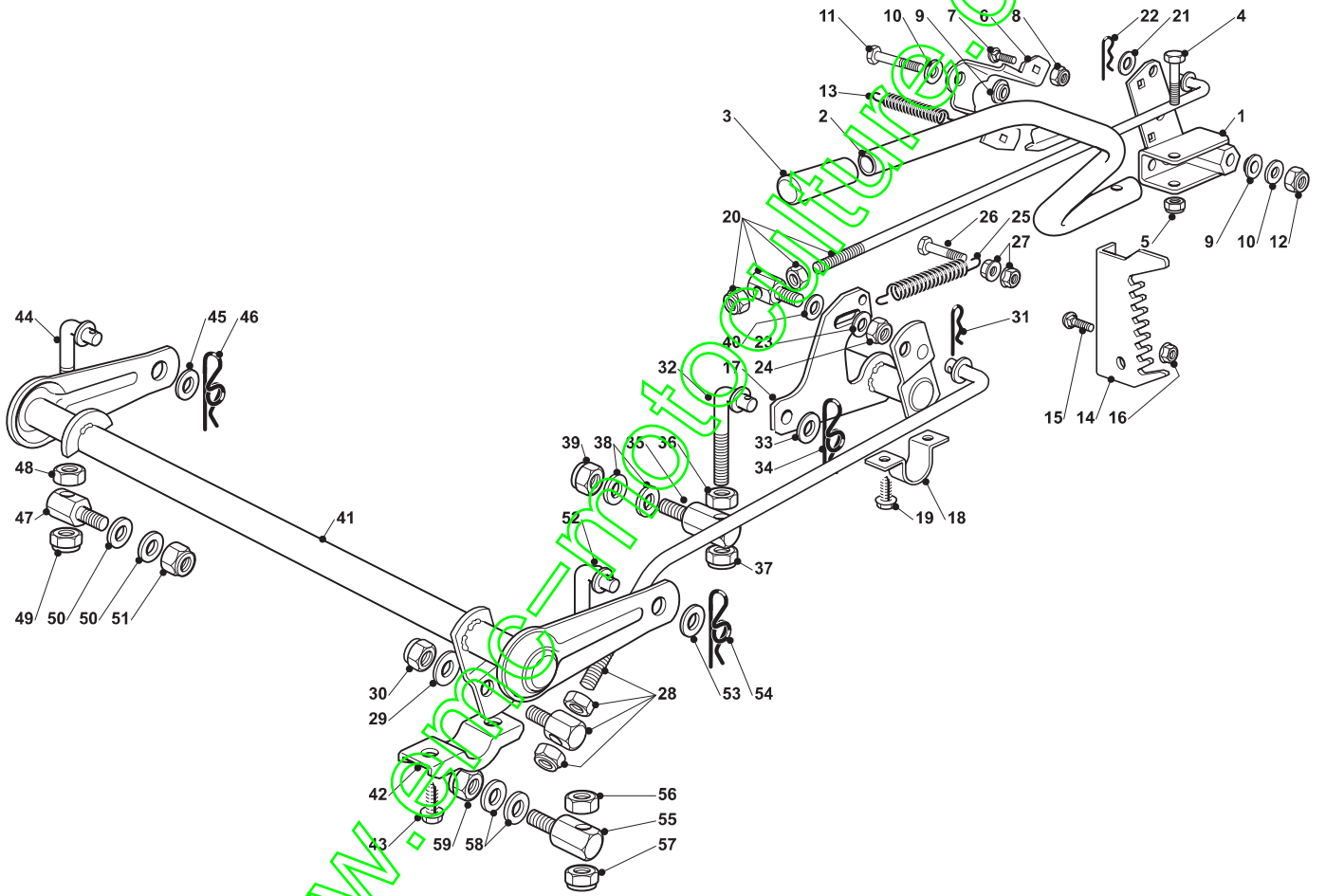
| POS | CODE | Q.TY | DESCRIPTION | DESCRIZIONE | DESCRIPTION | BESCHREIBUNG | NOTES |
|-----|-------------|------|-------------------------|-----------------------|-----------------------------|-------------------|-------|
| 2 | 325869057/0 | 1 | Connecting Tube | Tubo Collegamento | Tube De Connexion | Verbindungsrohr | |
| 3 | 118375051/1 | 4 | Fair Led | Fascetta | Fixation De Cable | Kabelbefestigung | |
| 4 | 118738231/1 | 1 | Exhaust Tube | Tubo Scarico | Tube Echappement | Abgasungrohr | |
| 5 | 112583500/0 | 2 | Grower | Grower | Grower | Grower | |
| 6 | 112737450/0 | 2 | Screw | Vite | Vis | Schraube | |
| 7 | 112735108/1 | 4 | Screw | Vite | Vis | Schraube | |
| 8 | 112735599/0 | 1 | Screw | Vite | Vis | Schraube | |
| 10 | 127598060/0 | 1 | Oil Discharge Extension | Prolunga Scarico Olio | Rallonge Dechargement Huile | Öl Abfluss | |
| 11 | 118737849/0 | 1 | Plug | Tappo | Bouchon | Verschlussstopfen | |
| 12 | 118401001/1 | 1 | Oil Seal | Guarnizione | Garniture | Dichtung | |
| 14 | 112793102/0 | 2 | Screw | Vite | Vis | Schraube | |
| 15 | 112540260/0 | 2 | Grower | Grower | Grower | Federring | |
| 16 | 182750010/0 | 1 | Muffler | Silenziatore | Silencieux | Schalldämpfer | |
| 17 | 112360425/0 | 2 | Nut | Dado | Ecrou | Mutter | |
| 18 | 382598039/0 | 1 | Guard | Protezione | Protection | Schutz | |
| 19 | 112792611/0 | 2 | Screw | Vite | Vis | Schraube | |
| 20 | 112583500/0 | 2 | Grower | Grower | Grower | Grower | |
| 41 | 112791213/1 | 2 | Screw | Vite | Vis | Schraube | |
| 42 | 112292102/0 | 2 | Nut | Dado | Ecrou | Mutter | |
| 43 | 118736110/0 | 1 | Starter Relay | Relé Avviamento | Relais D'Allumage | Anlassrelais | |
| 44 | 112360352/0 | 2 | Nut | Dado | Ecrou | Mutter | |
| 45 | 118564861/1 | 1 | Protection | Cappuccio | Capuchon | Stecker | |
| 46 | 125065017/0 | 1 | Cable | Cavo Relé Avv. | Cable | Kabel | |
| 61 | 182000212/0 | 1 | Accelerator | Acceleratore | Accelérateur | Gas Zug | |
| 62 | 125943012/0 | 2 | Screw | Vite | Vis | Schraube | |
| 64 | 325592000/0 | 1 | Knob | Manopolina | Poignee | Knopf | |
| 65 | 112726388/0 | 1 | Screw | Vite | Vis | Schraube | |
| 66 | 112290800/0 | 1 | Nut | Dado | Ecrou | Mutter | |

www.emc-motoculture.com



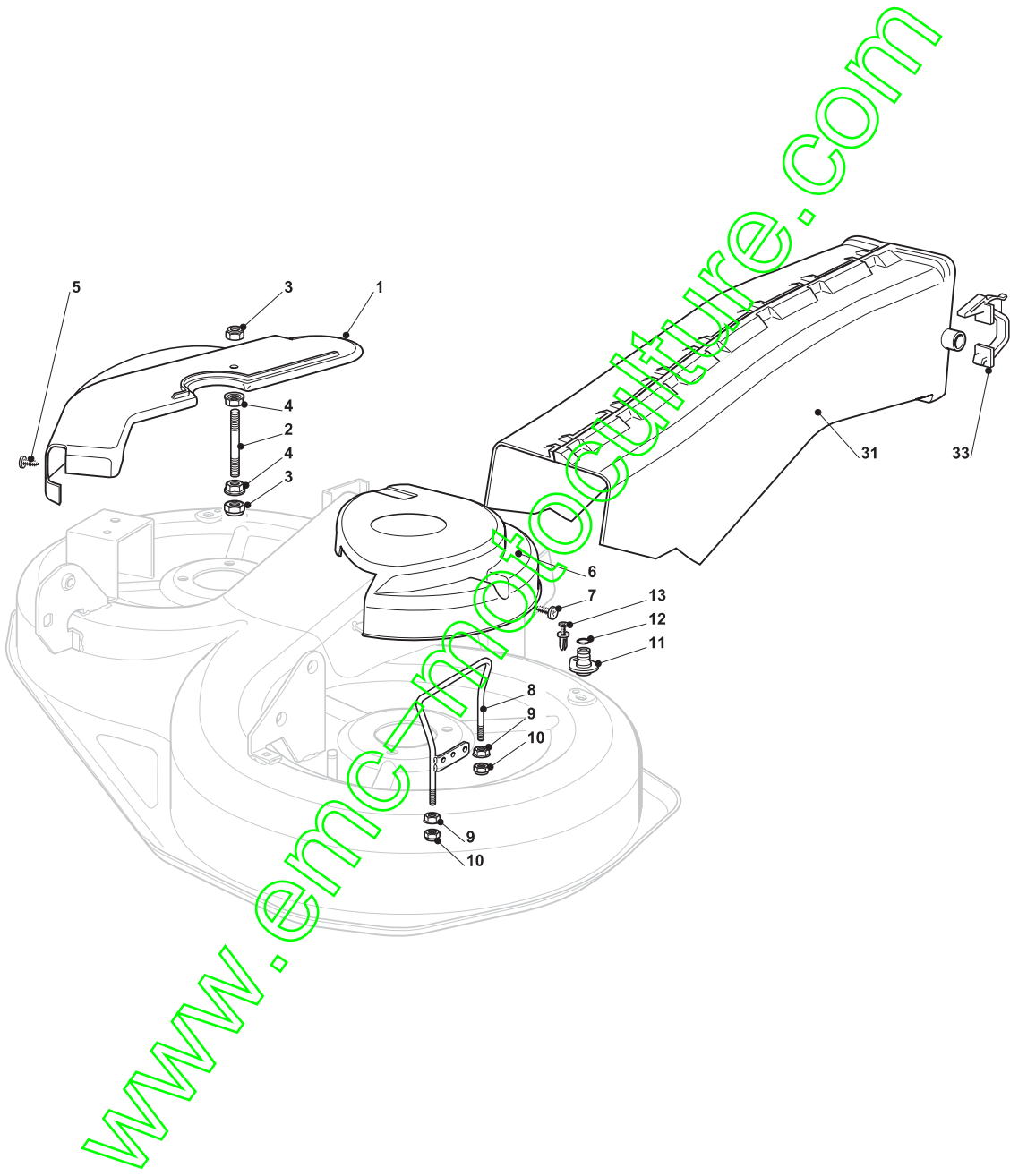
Transmission Hydro-Gear

| POS | CODE | Q.TY | DESCRIPTION | DESCRIZIONE | DESCRIPTION | BESCHREIBUNG | NOTES |
|-----|-------------|------|---------------------|-----------------------|-----------------------|-----------------------------|-------|
| 1 | 118399063/0 | 1 | Clutch Assy | Ass. Frizione | Friction | Set Kupplung | |
| 2 | 112737320/0 | 1 | Screw | Vite | Vis | Schraube | |
| 3 | 112543000/0 | 1 | Washer | Rosetta | Rondelle | Scheibe | |
| 4 | 122430216/0 | 1 | Tension Spring | Molla Tensionamento | Rondelle De Tension | Spannscheibe | |
| 5 | 125601577/0 | 1 | Pulley | Puleggia | Poulie | Riemenscheibe | |
| 6 | 125160021/0 | 1 | Spacer | Distanziale | Entretoise | Entfernungsstück | |
| 7 | 382318217/0 | 1 | Lever | Leva | Levier | Hebel | |
| 8 | 112691115/0 | 1 | Screw | Vite | Vis | Schraube | |
| 9 | 112523060/0 | 1 | Washer | Rondella | Rondelle | Scheibe | |
| 10 | 327670055/0 | 1 | Antifriction Washer | Rondella Antifrizione | Rondelle Antifriction | Antifriction Scheibe | |
| 11 | 125510087/0 | 1 | Pin | Perno | Pivot | Bolzen | |
| 12 | 112523060/0 | 1 | Washer | Rondella | Rondelle | Scheibe | |
| 13 | 112155000/0 | 1 | Nut | Dado | Écrou | Mutter | |
| 14 | 125601554/0 | 1 | Pulley | Puleggia | Poulie | Riemenscheibe | |
| 15 | 112523060/0 | 1 | Washer | Rondella | Rondelle | Scheibe | |
| 16 | 112155000/0 | 1 | Nut | Dado | Écrou | Mutter | |
| 17 | 125430260/0 | 1 | Spring | Molla | Ressort | Feder | |
| 18 | 325755049/0 | 1 | Bracket | Squadretta | Equerre-Support | Winkel | |
| 19 | 125840005/0 | 1 | Tie Rod | Tirante | Tirant | Spannstange | |
| 20 | 112293200/0 | 2 | Nut | Dado | Ecrou | Mutter | |
| 21 | 112818690/0 | 1 | Screw | Vite | Vis | Schraube | |
| 22 | 112293201/0 | 1 | Nut | Dado | Ecrou | Mutter | |
| 23 | 135062013/0 | 1 | Belt | Cinghia | Courroie | Riemen | |
| 24 | 118802723/0 | 1 | Fan Kit | Kit Ventola | Fan Kit | Fan Kit | |
| 41 | 125160080/0 | 1 | Pin | Perno | Pivot | Bolzen | |
| 42 | 112691800/0 | 1 | Screw | Vite | Vis | Schraube | |
| 43 | 325601599/0 | 1 | Pulley | Puleggia | Poulie | Riemenscheibe | |
| 44 | 112523060/0 | 1 | Washer | Rondella | Rondelle | Scheibe | |
| 45 | 112155000/0 | 1 | Nut | Dado | Écrou | Mutter | |
| 46 | 125160024/2 | 1 | Right Spacer | Distanziale Destro | Entretoise Droit | Rechter Entfernungsstück | |
| 47 | 125160030/2 | 1 | Left Spacer | Distanziale Sinistro | Entretoise Gauche | Linker Entfernungsstück | |
| 48 | 112691400/0 | 1 | Screw | Vite | Vis | Schraube | |
| 49 | 112691115/0 | 1 | Screw | Vite | Vis | Schraube | |
| 50 | 125601588/0 | 2 | Pulley | Puleggia | Poulie | Riemenscheibe | |
| 51 | 122671653/0 | 2 | Washer | Rosetta | Rondelle | Scheibe | |
| 52 | 112155000/0 | 2 | Nut | Dado | Ecrou | Mutter | |
| 53 | 118400919/2 | 1 | Rear Axle | Asse Posteriore | Axe Arriere | Hinterachse | |
| 54 | 112691600/0 | 4 | Screw | Vite | Vis | Schraube | |
| 55 | 112154210/0 | 4 | Nut | Dado | Ecrou | Mutter | |
| 56 | 382785199/0 | 1 | Support | Supporto | Support | Halter | |
| 57 | 112691700/0 | 1 | Screw | Vite | Vis | Schraube | |
| 58 | 112155000/0 | 1 | Nut | Dado | Écrou | Mutter | |
| 59 | 112793701/0 | 1 | Screw | Vite | Vis | Schraube | |
| 60 | 112523060/0 | 2 | Washer | Rondella | Rondelle | Scheibe | |
| 61 | 112155000/0 | 1 | Nut | Dado | Écrou | Mutter | |
| 62 | 325318253/0 | 1 | Lever | Leva | Levier | Hebel | |
| 63 | 112791213/1 | 1 | Screw | Vite | Vis | Schraube | |
| 64 | 112154210/0 | 1 | Nut | Dado | Ecrou | Mutter | |
| 69 | 125160058/0 | 2 | Spacer | Distanziale | Entretoise | Distanzring | |
| 70 | 125670005/1 | 2 | Washer | Rosetta | Rondelle | Scheibe | |
| 71 | 325670025/0 | 2 | Washer | Rondella | Rondelle | Scheibe | |
| 74 | 114361451/0 | 1 | Label | Etichetta | Étiquette | Etikett | |



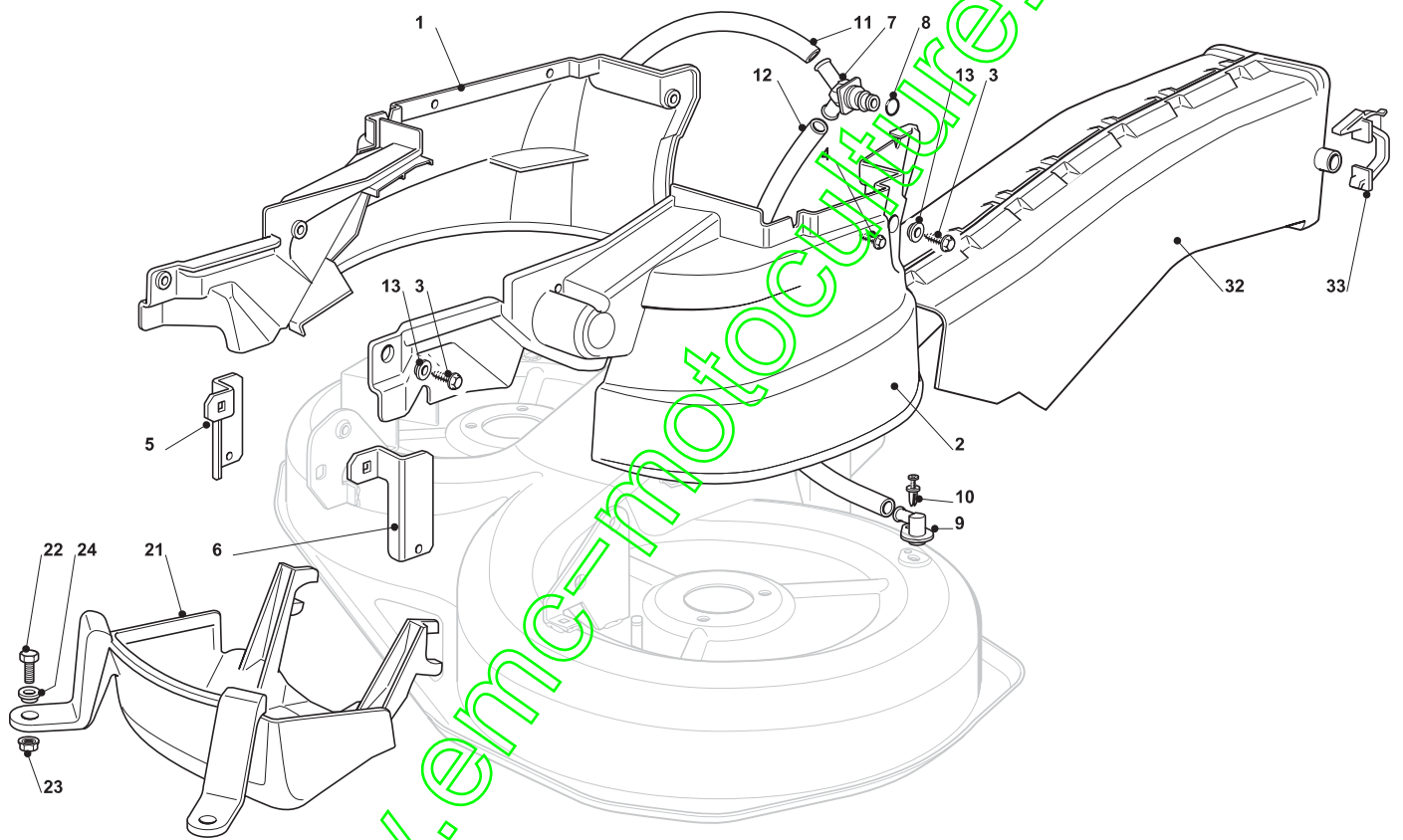
Cutting Plate Lifting

| POS | CODE | Q.TY | DESCRIPTION | DESCRIZIONE | DESCRIPTION | BESCHREIBUNG | NOTES |
|-----|-------------|------|---------------------|-----------------------|------------------------|-----------------------|-------|
| 1 | 382774249/0 | 1 | Clamp | Staffa | Etrier | Bride | |
| 2 | 382318219/1 | 1 | Lever | Leva | Levier | Hebel | |
| 3 | 325394535/0 | 1 | Knob | Manopola | Poingee | Knopf | |
| 4 | 112674700/0 | 1 | Screw | Vite | Vis | Schraube | |
| 5 | 112154510/0 | 1 | Nut | Dado | Écrou | Mutter | |
| 6 | 325650113/0 | 1 | Plate | Piastrina | Plaquette | Plättchen | |
| 7 | 112818690/0 | 2 | Screw | Vite | Vis | Schraube | |
| 8 | 112155000/0 | 2 | Nut | Dado | Écrou | Mutter | |
| 9 | 122041980/0 | 2 | Bush | Bussola | Douille | Büchse | |
| 10 | 112523060/0 | 2 | Washer | Rondella | Rondelle | Scheibe | |
| 11 | 112691600/0 | 1 | Screw | Vite | Vis | Schraube | |
| 12 | 112155000/0 | 1 | Nut | Dado | Écrou | Mutter | |
| 13 | 125430259/0 | 1 | Spring | Molla | Ressort | Feder | |
| 14 | 325735511/0 | 1 | Sector | Settore | Secteur | Sektor | |
| 15 | 112818690/0 | 2 | Screw | Vite | Vis | Schraube | |
| 16 | 112293201/0 | 2 | Nut | Dado | Ecrou | Mutter | |
| 17 | 382000387/0 | 1 | Axle | Asse Sollevamento | Axe | Achse | |
| 18 | 325547041/1 | 2 | Plate | Piastrina | Plaquette | Plättchen | |
| 19 | 112731580/0 | 4 | Screw | Vite | Vis | Schraube | |
| 20 | 382000618/0 | 1 | Rod | Asta | Tige | Stange | |
| 21 | 325670011/0 | 1 | Antifriction Washer | Rondella Antifrizione | Rondelle Antifricition | Antifricition Scheibe | |
| 22 | 124487997/0 | 1 | Cotter Pin | Copiglia | Goupille | Split | |
| 23 | 112523040/0 | 1 | Washer | Rondella | Rondelle | Scheibe | |
| 24 | 112154210/0 | 1 | Nut | Dado | Ecrou | Mutter | |
| 25 | 122446402/1 | 1 | Spring | Molla | Ressort | Feder | |
| 26 | 112792410/0 | 1 | Screw | Vite | Vis | Schraube | |
| 27 | 112292102/0 | 2 | Nut | Dado | Ecrou | Mutter | |
| 28 | 382000537/0 | 1 | Connecting Rod | Asta Collegamento | Tige De Connexion | Verbindungsstab | |
| 29 | 325670008/1 | 2 | Washer | Rondella | Rondelle Antifricition | Scheibe | |
| 30 | 112156602/0 | 1 | Nut | Dado | Écrou | Mutter | |
| 31 | 124487998/0 | 1 | Cotter Pin | Copiglia | Goupille | Split | |
| 32 | 125840025/0 | 1 | Tie Rod | Tirante | Tirant | Spannstange | |
| 33 | 325670008/1 | 1 | Washer | Rondella | Rondelle Antifricition | Scheibe | |
| 34 | 124487998/0 | 1 | Cotter Pin | Copiglia | Goupille | Split | |
| 35 | 125510090/0 | 1 | Pin | Perno | Pivot | Bolzen | |
| 36 | 112295200/0 | 1 | Nut | Dado | Ecrou | Mutter | |
| 37 | 112156602/0 | 1 | Nut | Dado | Écrou | Mutter | |
| 38 | 325670008/1 | 2 | Washer | Rondella | Rondelle Antifricition | Scheibe | |
| 39 | 112156602/0 | 1 | Nut | Dado | Écrou | Mutter | |
| 40 | 112521360/0 | 2 | Washer | Rondella | Rondelle | Scheibe | |
| 41 | 382000385/0 | 1 | Axle | Asse Sollevamento | Axe | Achse | |
| 42 | 327546015/2 | 2 | Plate | Piastrina | Plaque | Platte | |
| 43 | 112731350/0 | 4 | Screw | Vite | Vis | Schraube | |
| 44 | 125840024/0 | 1 | Tie Rod | Tirante | Tirant | Spannstange | |
| 45 | 325670008/1 | 1 | Washer | Rondella | Rondelle Antifricition | Scheibe | |
| 46 | 124487998/0 | 1 | Cotter Pin | Copiglia | Goupille | Split | |
| 47 | 125510098/0 | 1 | Pin | Perno | Pivot | Bolzen | |
| 48 | 112295200/0 | 1 | Nut | Dado | Ecrou | Mutter | |
| 49 | 112156602/0 | 1 | Nut | Dado | Écrou | Mutter | |
| 50 | 325670008/1 | 2 | Washer | Rondella | Rondelle Antifricition | Scheibe | |
| 51 | 112156602/0 | 1 | Nut | Dado | Écrou | Mutter | |
| 52 | 125840025/0 | 1 | Tie Rod | Tirante | Tirant | Spannstange | |
| 53 | 325670008/1 | 1 | Washer | Rondella | Rondelle Antifricition | Scheibe | |
| 54 | 124487998/0 | 1 | Cotter Pin | Copiglia | Goupille | Split | |
| 55 | 125510090/0 | 1 | Pin | Perno | Pivot | Bolzen | |
| 56 | 112295200/0 | 1 | Nut | Dado | Ecrou | Mutter | |
| 57 | 112156602/0 | 1 | Nut | Dado | Écrou | Mutter | |
| 58 | 325670008/1 | 2 | Washer | Rondella | Rondelle Antifricition | Scheibe | |
| 59 | 112156602/0 | 1 | Nut | Dado | Écrou | Mutter | |



| Guards | | | | | | | |
|--------|-------------|------|---------------------------------|------------------------------|-----------------------------------|------------------------|-------|
| POS | CODE | Q.TY | DESCRIPTION | DESCRIZIONE | DESCRIPTION | BESCHREIBUNG | NOTES |
| 1 | 125060102/0 | 1 | Right Belt Protection Carter | Carter Protezione Cinghia Dx | Carter Protection Courroie Droit | Schutz Rechte, Riemen | Black |
| 1 | 325060111/0 | 1 | Right Belt Protection Carter | Carter Protezione Cinghia Dx | Carter Protection Courroie Droit | Schutz Rechte, Riemen | Gris |
| 2 | 125580007/0 | 1 | Belt Guide | Piolo Guidacinghia | Guide De Courroie | Riemenführung | |
| 3 | 112155000/0 | 2 | Nut | Dado | Écrou | Mutter | |
| 4 | 112293201/0 | 2 | Nut | Dado | Écrou | Mutter | |
| 5 | 112735110/0 | 2 | Screw | Vite | Vis | Schraube | |
| 6 | 125060103/0 | 1 | Left Belt Protection Carter | Carter Protezione Cinghia Sx | Carter Protection Courroie Gauche | Schutz Linke, Riemen | Black |
| 6 | 325060112/0 | 1 | Left Belt Protection Carter | Carter Protezione Cinghia Sx | Carter Protection Courroie Gauche | Schutz Linke, Riemen | Gris |
| 7 | 112735110/0 | 2 | Screw | Vite | Vis | Schraube | |
| 8 | 382270301/0 | 1 | Belt Guide | Guidacinghia | Guide De Courroie | Riemenführung | |
| 9 | 112293201/0 | 2 | Nut | Dado | Écrou | Mutter | |
| 10 | 112155000/0 | 2 | Nut | Dado | Écrou | Mutter | |
| 11 | 125033060/0 | 2 | Washing Cutting Deck Connection | Attacco Lavaggio Piatto | Attaque Lavage Plateau De Coupe | Wasseranschluß Mähwerk | |
| 12 | 119035000/0 | 2 | O.R. Ring | O.R. Ring | O.R. Ring | O.R. Ring | |
| 13 | 112500030/0 | 2 | Rivet | Rivetto | Rivet | Niet | |
| 31 | 382108008/1 | 1 | Conveyor | Convogliatore | Convoyeur | Konveyor | |
| 33 | 325774373/0 | 2 | Clamp | Staffa | Etrier | Bride | |

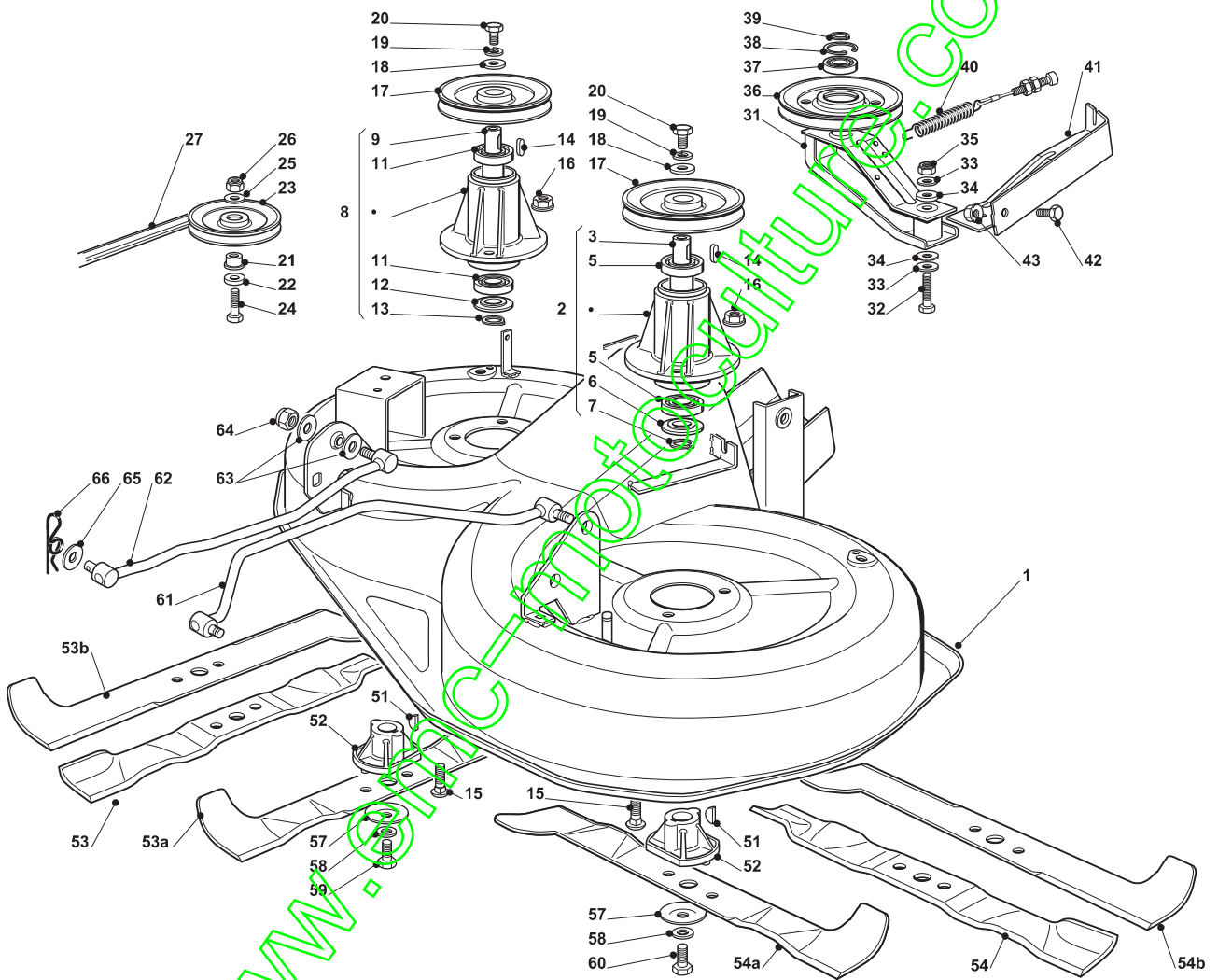
www.emc-motoculture.com



www.enc-motoculture.com

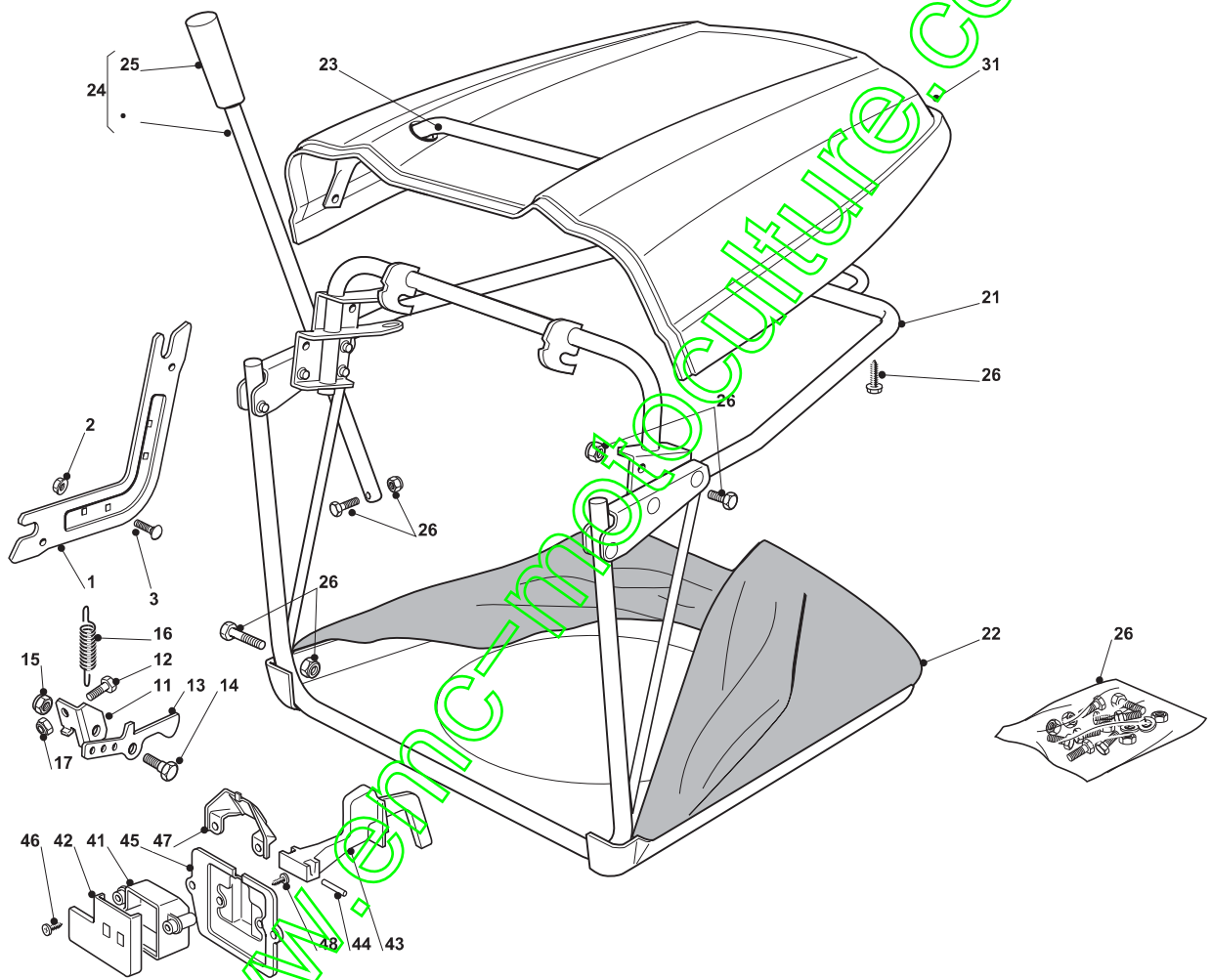
| Cemagref | | | | | | | |
|----------|-------------|------|-----------------------|--------------------|---------------------|-----------------|-------|
| POS | CODE | Q.TY | DESCRIPTION | DESCRIZIONE | DESCRIPTION | BESCHREIBUNG | NOTES |
| 1 | 325060121/1 | 1 | Case | Carter | Carter | Blech | |
| 2 | 325060122/0 | 1 | Case | Carter | Carter | Blech | |
| 3 | 112735120/0 | 6 | Screw | Vite | Vis | Schraube | |
| 4 | 112728535/0 | 4 | Screw | Vite | Vis | Schraube | |
| 5 | 325774381/0 | 1 | Bracket | Staffa | Etrier | Schelle | |
| 6 | 325774383/0 | 1 | Bracket | Staffa | Etrier | Schelle | |
| 7 | 325033066/0 | 1 | Water Hose Connection | Attacco Tubo Acqua | Raccord Tuyau D'Eau | Wasseranschluss | |
| 8 | 112000970/0 | 1 | Or Ring | Anello Or | Bague Or | Ring Or | |
| 9 | 325033065/0 | 2 | Water Hose Connection | Attacco Tubo Acqua | Raccord Tuyau D'Eau | Wasseranschluss | |
| 10 | 112500030/0 | 2 | Rivet | Rivetto | Rivet | Niet | |
| 11 | 325869069/0 | 1 | Connecting Tube | Tubo Collegamento | Tube De Connexion | Verbindungsrohr | |
| 12 | 325869068/0 | 1 | Connecting Tube | Tubo Collegamento | Tube De Connexion | Verbindungsrohr | |
| 13 | 325160039/0 | 6 | Spacer | Distanziale | Entretoise | Distanzring | |
| 21 | 325060127/0 | 1 | Case | Carter | Carter | Blech | |
| 22 | 112791400/0 | 2 | Screw | Vite | Vis | Schraube | |
| 23 | 112154510/0 | 2 | Nut | Dado | Écrou | Mutter | |
| 24 | 325160039/0 | 2 | Spacer | Distanziale | Entretoise | Distanzring | |
| 32 | 382108008/1 | 1 | Conveyor | Convogliatore | Convoyeur | Konveyor | |
| 33 | 325774373/0 | 2 | Clamp | Staffa | Etrier | Bride | |

www.emc-motoculture.com



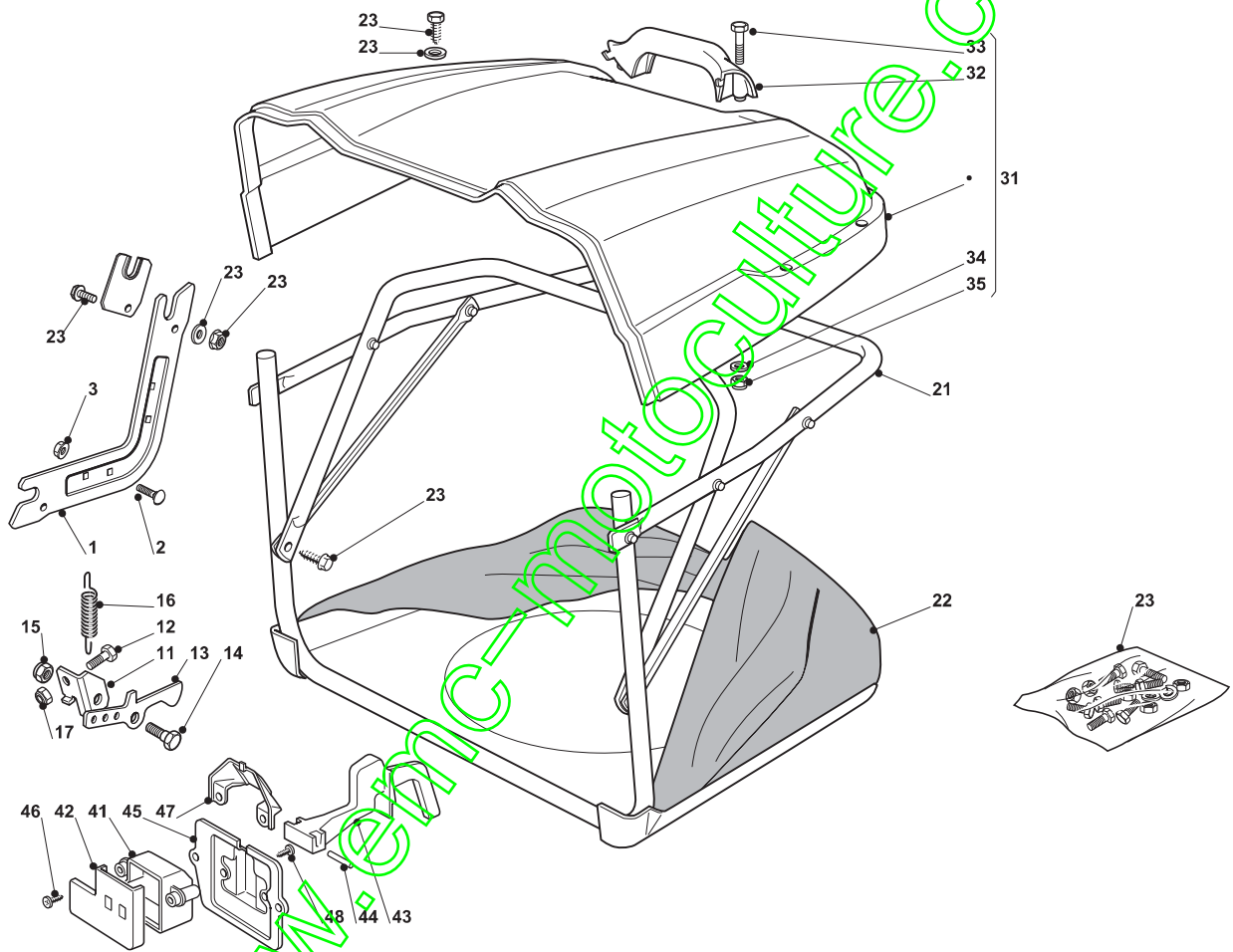
Cutting Deck

| POS | CODE | Q.TY | DESCRIPTION | DESCRIZIONE | DESCRIPTION | BESCHREIBUNG | NOTES |
|-----|-------------|------|-----------------------------|--------------------------------------|---------------------------------|--------------------------------|-------|
| 1 | 382564075/0 | 1 | Cutting Plate Black | Piatto Di Taglio Nero | Plateau De Coupe Noir | Schneidwerkzeug Schwarz | |
| 1 | 382564091/0 | 1 | Cutting Plate Red | Piatto Di Taglio Rosso | Plateau De Coupe Rouge | Schneidwerkzeug Rot | |
| 1 | 382564112/0 | 1 | Cutting Plate Yellow | Piatto Di Taglio Giallo | Plateau De Coupe Jaune | Schneidwerkzeug Gelb | |
| 2 | 382207202/0 | 1 | Left Flange Ass,Y | Ass. Flangia Sinistra | Ens, Bride Gauche | Linke Nabe, Komplet | |
| 3 | 125020802/0 | 1 | Shaft | Albero | Arbre | Welle | |
| 5 | 119216047/0 | 2 | Bearing | Cuscinetto | Roulement | Kugellager | |
| 6 | 325160501/0 | 1 | Dust Cover Disc | Disco Parapolvere | Protege-Poussiere | Staubschuttscheibe | |
| 7 | 112609260/0 | 1 | Seeger | Seeger | Seeger | Seeger | |
| 8 | 382207203/0 | 1 | Right Flange Assy | Ass. Flangia Destra | Ens, Bride Droit | Rechte Flansch, Komplet | |
| 9 | 125020803/0 | 1 | Secondary Blade Shaft | Albero Lama Secondario | Arbre Lama Secondaire | Zweite Messerwelle | |
| 11 | 119216047/0 | 2 | Bearing | Cuscinetto | Roulement | Kugellager | |
| 12 | 325160501/0 | 1 | Dust Cover Disc | Disco Parapolvere | Protege-Poussiere | Staubschuttscheibe | |
| 13 | 112609260/0 | 1 | Seeger | Seeger | Seeger | Seeger | |
| 14 | 112139480/0 | 2 | Feather | Linguetta | Clavette | Keil | |
| 15 | 112818700/0 | 6 | Screw | Vite | Vis | Schraube | |
| 16 | 112154210/0 | 6 | Nut | Dado | Ecrou | Mutter | |
| 17 | 125601563/0 | 2 | Pulley | Puleggia | Poulie | Riemenscheibe | |
| 18 | 125670007/0 | 2 | Washer | Rosetta | Rondelle | Scheibe | |
| 19 | 112583500/0 | 2 | Grower | Grower | Grower | Grower | |
| 20 | 112793102/0 | 2 | Screw | Vite | Vis | Schraube | |
| 21 | 125160079/0 | 1 | Spacer | Distanziale | Entretoise | Distanzring | |
| 22 | 125670007/0 | 1 | Washer | Rosetta | Rondelle | Scheibe | |
| 23 | 325601599/0 | 1 | Pulley | Puleggia | Poulie | Riemenscheibe | |
| 24 | 112691115/0 | 1 | Screw | Vite | Vis | Schraube | |
| 25 | 112523060/0 | 1 | Washer | Rondella | Rondelle | Scheibe | |
| 26 | 112155000/0 | 1 | Nut | Dado | Écrou | Mutter | |
| 27 | 135065701/0 | 1 | Belt | Cinghia | Courroie | Keilriemen | |
| 31 | 382318141/2 | 1 | Lever | Leva | Levier | Hebel | |
| 32 | 112691700/0 | 1 | Screw | Vite | Vis | Schraube | |
| 33 | 112523070/0 | 2 | Washer | Rondella | Rondelle | Scheibe | |
| 34 | 322672152/0 | 2 | Antifriction Washer | Rondella Antifrizione | Rondelle Antifricion | Anti Friktionswäscher | |
| 35 | 112155000/0 | 1 | Nut | Dado | Écrou | Mutter | |
| 36 | 125601564/1 | 1 | Pulley | Puleggia | Poulie | Riemenscheibe | |
| 37 | 119216048/0 | 1 | Bearing | Cuscinetto | Roulement | Kugellager | |
| 38 | 112610800/0 | 1 | Snap Ring | Anello Elastico | Anneau Ressort | Sprengring | |
| 39 | 112609200/0 | 1 | Seeger | Seeger | Seeger | Seeger | |
| 40 | 382004618/0 | 1 | Wire | Filo | Fil | Kabel | |
| 41 | 382774215/3 | 1 | Clamp | Staffa | Etrier | Bride | |
| 42 | 112792611/0 | 1 | Screw | Vite | Vis | Schraube | |
| 43 | 112293201/0 | 1 | Nut | Dado | Ecrou | Mutter | |
| 51 | 112139100/0 | 2 | Key | Chiave | Clavette | Schlüssel | |
| 52 | 125463200/0 | 2 | Blade Hub | Mozzo Coltello | Moyeu Lame | Messerhalter | |
| 53 | 182004352/0 | 1 | Right Mulching Blade | Coltello Destro Mulching | Lame Droit Mulching | Rechter Messer Mulching | |
| 54 | 181004346/3 | 1 | Blade | Coltello | Lame | Messer | |
| 57 | 122160400/0 | 2 | Elastic Washer | Disco Elastico | Disque Elastique | Federscheibe | |
| 58 | 112523080/0 | 2 | Washer | Rosetta | Rondelle | Scheibe | |
| 59 | 112735695/1 | 1 | Screw | Vite | Vis | Schraube | |
| 60 | 112735694/0 | 1 | Screw | Vite | Vis | Schraube | |
| 61 | 382000535/0 | 1 | Equalizer Rod | Asta Bilanciare | Tige Balancier | Kipphebel | |
| 62 | 382000533/0 | 1 | Equalizer Rod | Asta Bilanciare | Tige Balancier | Kipphebel | |
| 63 | 325670008/1 | 4 | Washer | Rondella | Rondelle Antifricion | Scheibe | |
| 64 | 112156602/0 | 2 | Nut | Dado | Écrou | Mutter | |
| 65 | 325670008/1 | 2 | Washer | Rondella | Rondelle Antifricion | Scheibe | |
| 66 | 124487998/0 | 2 | Colter Pin | Copiglia | Goupille | Split | |
| 53a | 182004354/0 | 1 | Right Blade, Winged | Coltello Destro, Alettato | Lame Droit, Aillettee | Rechter Messer, Flügel | |
| 53b | 182004345/1 | 1 | Right Blade, Winged | Coltello Destro, Alettato | Lame Droit, Aillettee | Rechter Messer, Flügel | |
| 54a | 182004353/0 | 1 | Left Blade Mulching, Winged | Coltello Sinistro Mulching, Alettato | Lame Gauche Mulching, Aillettee | Linker Messer Mulching, Flügel | |
| 54b | 182004344/1 | 1 | Left Blade, Winged | Coltello Sinistro, Alettato | Lame Gauche, Aillettee | Linker Messer, Flügel | |

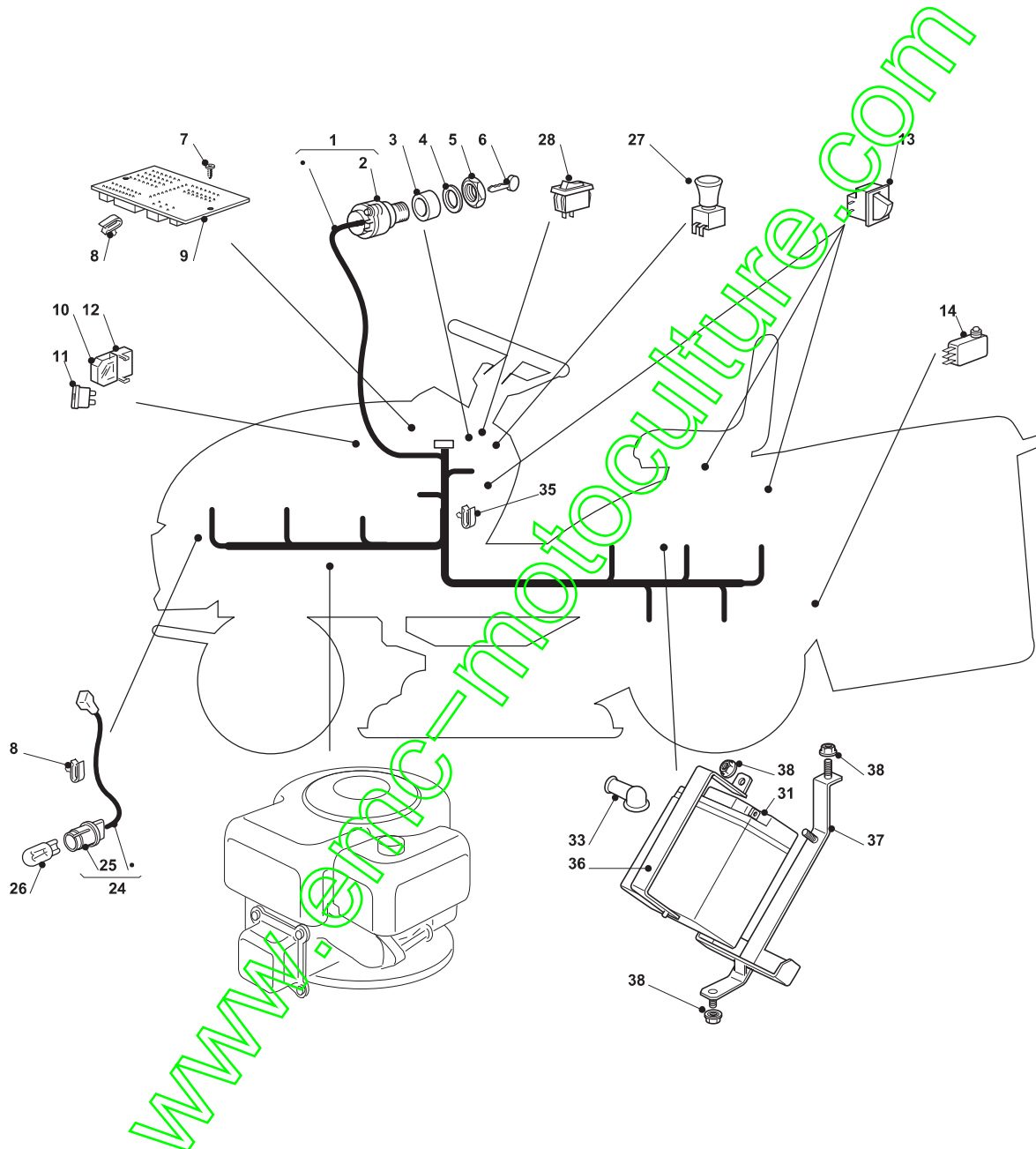


Grasscatcher

| POS | CODE | Q.TY | DESCRIPTION | DESCRIZIONE | DESCRIPTION | BESCHREIBUNG | NOTES |
|-----|-------------|------|----------------------------|------------------------|--------------------|-----------------------|-------|
| 1 | 325785275/0 | 2 | Support | Supporto | Support | Halter | |
| 2 | 112818690/0 | 4 | Screw | Vite | Vis | Schraube | |
| 3 | 112293201/0 | 4 | Nut | Dado | Ecrou | Mutter | |
| 11 | 325755031/1 | 1 | Bracket | Squadretta | Equerre-Support | Winkel | |
| 12 | 112789000/0 | 1 | Screw | Vite | Vis | Schraube | |
| 13 | 325774315/1 | 1 | Bracket | Staffa | Etrier | Bride | |
| 14 | 125510080/1 | 1 | Pin | Perno | Pivot | Bolzen | |
| 15 | 112292102/0 | 1 | Nut | Dado | Ecrou | Mutter | |
| 16 | 122450432/0 | 1 | Spring | Molla | Ressort | Feder | |
| 17 | 112154330/0 | 1 | Low Nut | Dado | Écrou | Mutter | |
| 21 | 382800111/0 | 1 | Front Frame | Telaio Bocca Sacco | Chassis Avant | Vorderrahmen | |
| 22 | 182105973/0 | 1 | Grasscatcher | Confezione Sacco | Bac | Sack | |
| 23 | 382394003/0 | 1 | Front Handle | Maniglia Anteriore | Poignee Anterieure | Vordergriff | |
| 24 | 382869023/0 | 1 | Rod | Asta | Tige | Stange | |
| 25 | 125394508/0 | 1 | Knob | Manopola | Poingee | Knopf | |
| 26 | 382180048/0 | 1 | Screw | Vite | Dotation Visserie | Schraube | |
| 31 | 325110319/0 | 1 | Yellow Grass-Catcher Cover | Copertura Sacco Giallo | Couvre-Bac Jaune | Sackkappe Gelb | |
| 31 | 325110320/0 | 1 | Red Grass-Catcher Cover | Copertura Sacco Rosso | Couvre-Bac Rouge | Sackkappe Rot | |
| 31 | 325110342/0 | 1 | Grey Grass-Catcher Cover | Copertura Sacco Grigio | Couvre-Bac Gris | Sackkappe Grau | |
| 31 | 325110413/0 | 1 | Black Grass-Catcher Cover | Copertura Sacco Nero | Couvre-Bac Noir | Sackkappe Schwarz | |
| 31 | 325110421/0 | 1 | White Grass-Catcher Cover | Copertura Sacco Bianco | Couvre-Bac Blanc | Sackkappe Weiß | |
| 41 | 125600041/0 | 1 | Micro Protection | Protezione Micro | Protection Micro | Schutz | |
| 42 | 125600042/0 | 1 | Micro Protection | Protezione Micro | Protection Micro | Schutz | |
| 43 | 125318124/0 | 1 | Microswitch Lever | Leva Comando Micro | Levier Microint. | Kontaktgeber Vollkorb | |
| 44 | 112400030/0 | 1 | Pin | Perno | Pivot | Bolzen | |
| 45 | 325785272/0 | 1 | Micro Protection | Protezione Micro | Protection Micro | Schutz | |
| 46 | 112728510/0 | 1 | Screw | Vite | Vis | Schraube | |
| 47 | 125600048/0 | 1 | Micro Protection | Protezione Micro | Protection Micro | Schutz | |
| 48 | 112735110/0 | 2 | Screw | Vite | Vis | Schraube | |

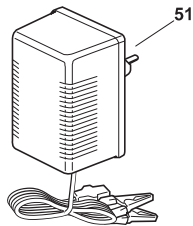
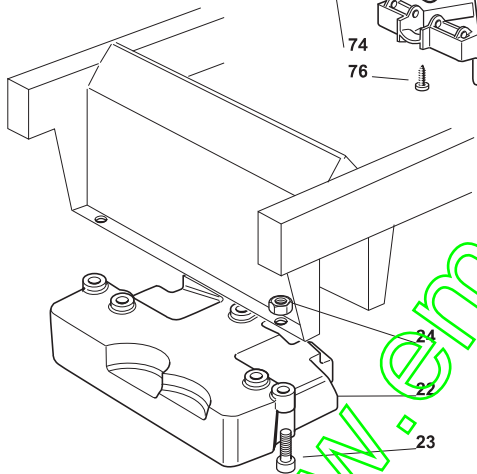
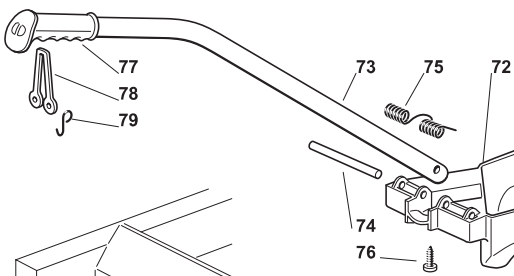
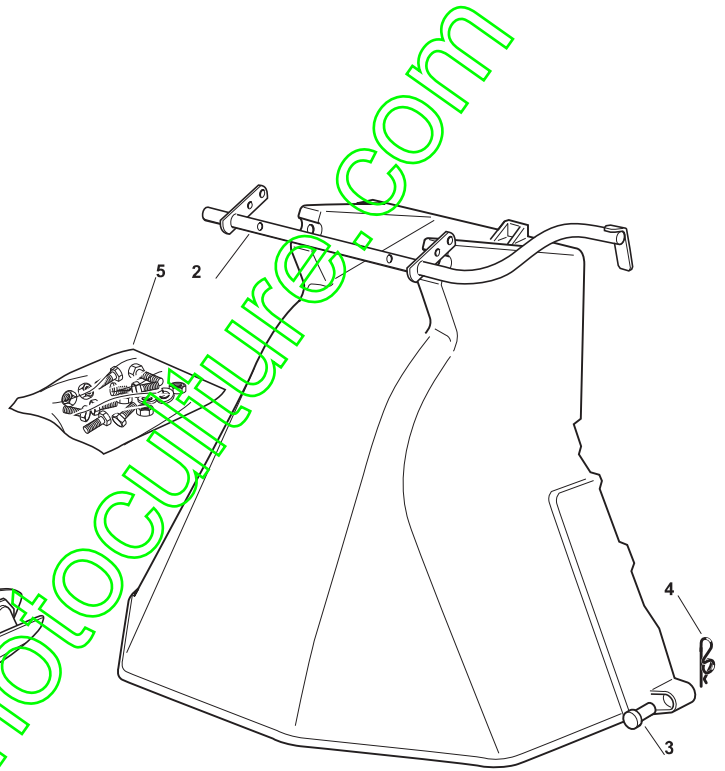
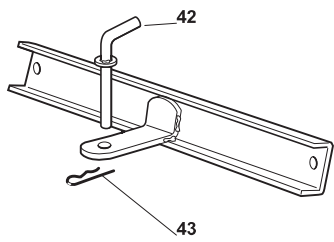


| Grasscatcher | | | | | | | |
|--------------|-------------|------|--------------------------|----------------------|-------------------|-----------------------|-------|
| POS | CODE | Q.TY | DESCRIPTION | DESCRIZIONE | DESCRIPTION | BESCHREIBUNG | NOTES |
| 1 | 325785275/0 | 2 | Support | Supporto | Support | Halter | |
| 2 | 112818690/0 | 4 | Screw | Vite | Vis | Schraube | |
| 3 | 112293201/0 | 4 | Nut | Dado | Ecrou | Mutter | |
| 11 | 325755031/1 | 1 | Bracket | Squadretta | Equerre-Support | Winkel | |
| 12 | 112789000/0 | 1 | Screw | Vite | Vis | Schraube | |
| 13 | 325774315/1 | 1 | Bracket | Staffa | Etrier | Bride | |
| 14 | 125510080/1 | 1 | Pin | Perno | Pivot | Bolzen | |
| 15 | 112292102/0 | 1 | Nut | Dado | Ecrou | Mutter | |
| 16 | 122450432/0 | 1 | Spring | Molla | Ressort | Feder | |
| 17 | 112154330/0 | 1 | Low Nut | Dado | Écrou | Mutter | |
| 21 | 382800110/0 | 1 | Front Frame | Telaio Bocca Sacco | Chassis Avant | Vorderrahmen | |
| 22 | 182105974/0 | 1 | Grasscatcher | Confezione Sacco | Bac | Sack | |
| 23 | 382180120/0 | 1 | Screws Outfit | Dotazione Viteria | Dotation Visserie | Schraubenausrüstung | |
| 31 | 382110273/1 | 1 | Black GrassCatcher Cover | Copertura Sacco Nero | Couvre-Bac Noir | Sackkappe Schwarz | |
| 32 | 127394000/0 | 1 | Handle | Maniglia | Poignee | Griff | |
| 33 | 112789020/0 | 2 | Screw | Vite | Vis | Schraube | |
| 34 | 112523020/0 | 2 | Washer | Rondella | Rondelle | Scheibe | |
| 35 | 112154330/0 | 2 | Low Nut | Dado | Écrou | Mutter | |
| 41 | 125600041/0 | 1 | Micro Protection | Protezione Micro | Protection Micro | Schutz | |
| 42 | 125600042/0 | 1 | Micro Protection | Protezione Micro | Protection Micro | Schutz | |
| 43 | 125318124/0 | 1 | Microswitch Lever | Leva Comando Micro | Levier Microint. | Kontaktgeber Vollkorb | |
| 44 | 112400030/0 | 1 | Pin | Perno | Pivot | Bolzen | |
| 45 | 325785272/0 | 1 | Micro Protection | Protezione Micro | Protection Micro | Schutz | |
| 46 | 112728510/0 | 1 | Screw | Vite | Vis | Schraube | |
| 47 | 125600048/0 | 1 | Micro Protection | Protezione Micro | Protection Micro | Schutz | |
| 48 | 112735110/0 | 2 | Screw | Vite | Vis | Schraube | |



Electric Parts

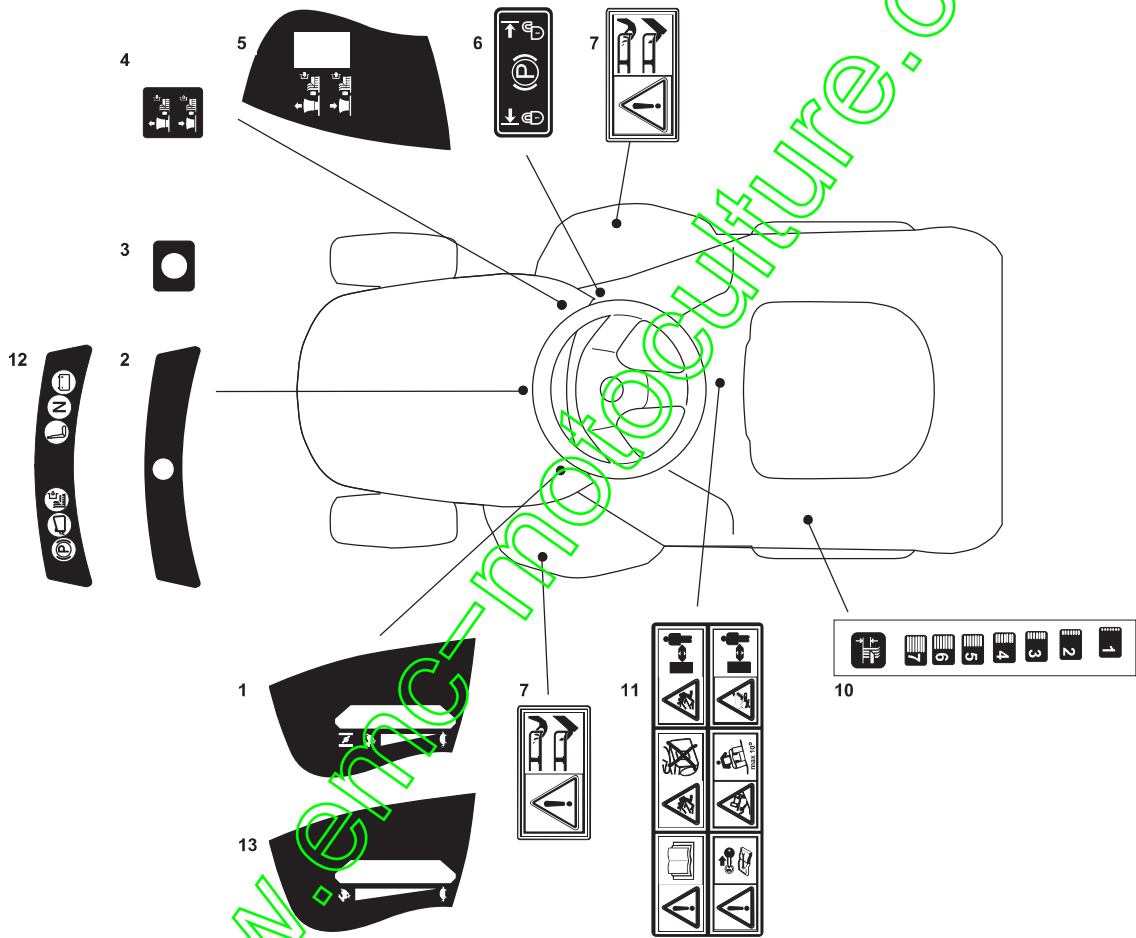
| POS | CODE | Q.TY | DESCRIPTION | DESCRIZIONE | DESCRIPTION | BESCHREIBUNG | NOTES |
|-----|-------------|------|----------------------|-------------------------|------------------------|---------------------|----------------------------|
| 1 | 182040153/0 | 1 | Cables Ass.Y | Cablaggio | Ens. Cablages | Kabelsatz | for B&S-GGP Engine |
| 1 | 182040154/0 | 1 | Cables Ass.Y | Cablaggio | Ens. Cablages | Kabelsatz | for Honda Engine |
| 1 | 182040192/0 | 1 | Cables Ass.Y | Cablaggio | Ens. Cablages | Kabelsatz | for LED Version |
| 2 | 118450072/0 | 1 | Starting Switch | Interruttore Avviamento | Interrupteur Demarrage | Schalter | |
| 3 | 118550136/0 | 1 | Spacer | Distanziale | Entretoise | Distanzring | |
| 4 | 118550135/0 | 1 | Washer | Rondella | Rondelle | Scheibe | |
| 5 | 118400862/0 | 1 | Ring Nut | Ghiera | Bague | Nutmutter | |
| 6 | 118210022/0 | 1 | Starting Key | Chiave Avviamento | Clef A Demarrage | Schlüssel Für Start | |
| 7 | 112727810/0 | 3 | Screw | Vite | Vis | Schraube | |
| 8 | 133320506/0 | 2 | Fairlead | Fermacavo | Serre-Cable | Kabelbefestigung | |
| 9 | 125722430/1 | 1 | Electronic Card | Scheda Elettronica | Carte Electronique | Elektronische Karte | (1 Led) |
| 9 | 125722431/0 | 1 | Electronic Card | Scheda Elettronica | Carte Electronique | Elektronische Karte | (6 Led) |
| 10 | 133215000/0 | 2 | Cover | Coperchio | Couvercle | Deckel | |
| 11 | 133340036/0 | 1 | Fuse 25 A | Fusibile 25 A | Fusible 25 A | Sicherung 25 A | |
| 11 | 133340040/0 | 1 | Lamellar Fusible 10A | Fusibile 10 A | Fusible 10 A | Sicherung 10 A | |
| 12 | 133500007/0 | 2 | Fuse Carrier | Portafusibile | Tableau De Fusible | Sicherungshalter | |
| 13 | 119410615/0 | 3 | Micro Switch | Micro Interruttore | Microinterrupteur | Mikroschalter | |
| 14 | 119410605/1 | 1 | Micro Switch | Micro Interruttore | Microinterrupteur | Mikroschalter | |
| 24 | 182040070/0 | 1 | Cables Ass.Y | Cablaggio | Ens. Cablages | Kabelsatz | for NJR-NJTP-NJB models |
| 24 | 182040073/0 | 1 | Lamp Holder | Portalampane | Douille De Lampe | Scheinwerferlampe | for NJX-NJS-NJU-NJA models |
| 25 | 133500030/0 | 2 | Lamp Holder | Portalampane | Douille De Lampe | Scheinwerferlampe | |
| 26 | 118459100/0 | 2 | Lamp For Lights | Lamp For Lights | Lamp For Lights | Lamp For Lights | |
| 27 | 118450068/0 | 1 | Micro Switch | Micro Interruttore | Mikroschalter | Mikroschalter | |
| 28 | 118450060/1 | 1 | Micro Switch | Micro Interruttore | Microinterrupteur | Mikroschalter | |
| 31 | 118120002/1 | 1 | Battery | Batteria | Batterie | Batterie | |
| 33 | 118564861/1 | 1 | Protection | Cappuccio | Capuchon | Stecker | |
| 35 | 133320506/0 | 9 | Fairlead | Fermacavo | Serre-Cable | Kabelbefestigung | |
| 36 | 327772099/1 | 1 | Clamp | Staffa | Etrier | Bride | |
| 37 | 382785191/0 | 1 | Battery Support | Supporto Batteria | Support Batterie | Batterie Halter | |
| 38 | 112155000/0 | 3 | Nut | Dado | Écrou | Mutter | |



Optionals On Request

| POS | CODE | Q.TY | DESCRIPTION | DESCRIZIONE | DESCRIPTION | BESCHREIBUNG | NOTES |
|-----|-------------|------|-----------------------|-------------------------------|-------------------|---------------|-------|
| 2 | 382869035/0 | 1 | Support | Tube Di Aggancio | Sopport | Halter | |
| 3 | 125510022/0 | 2 | Pin | Perno | Pivot | Bolzen | |
| 4 | 124487998/0 | 2 | Cotter Pin | Copiglia | Goupille | Split | |
| 5 | 382180062/0 | 1 | Screw | Vite | Dotation Visserie | Schraube | |
| 22 | 125519997/1 | 1 | Front Weight | Peso Anteriore | Avant Poids | Frontgewicht | |
| 23 | 112760520/0 | 3 | Screw | Vite | Vis | Schraube | |
| 24 | 112155000/0 | 3 | Nut | Dado | Écrou | Mutter | |
| 42 | 125510021/1 | 1 | Hitch Pin | Perno | Pivot | Bolzen | |
| 43 | 124487999/0 | 1 | Spring Pin | Coppiglia | Goupille | Split | |
| 72 | 325140093/0 | 1 | Deflector | Deflettore | Deflecteur | Abweiser | |
| 73 | 325394007/0 | 1 | Handle | Manico | Guidon | Stiel | |
| 74 | 125510077/0 | 1 | Pin | Perno | Pivot | Bolzen | |
| 75 | 125430245/0 | 1 | Spring | Molla | Ressort | Feder | |
| 76 | 112735410/0 | 1 | Screw | Vite | Vis | Schraube | |
| 77 | 325280000/1 | 1 | Handgrip | Impugnatura | Branche | Handgriff | |
| 78 | 125840011/1 | 1 | Tie Rod | Tirante | Tirant Elastique | Spannstange | |
| 79 | 125253004/0 | 2 | Mulch,Kit Fixing Hook | Gancio Fissaggio Kit Mulching | Crochet | MulchingHaken | |

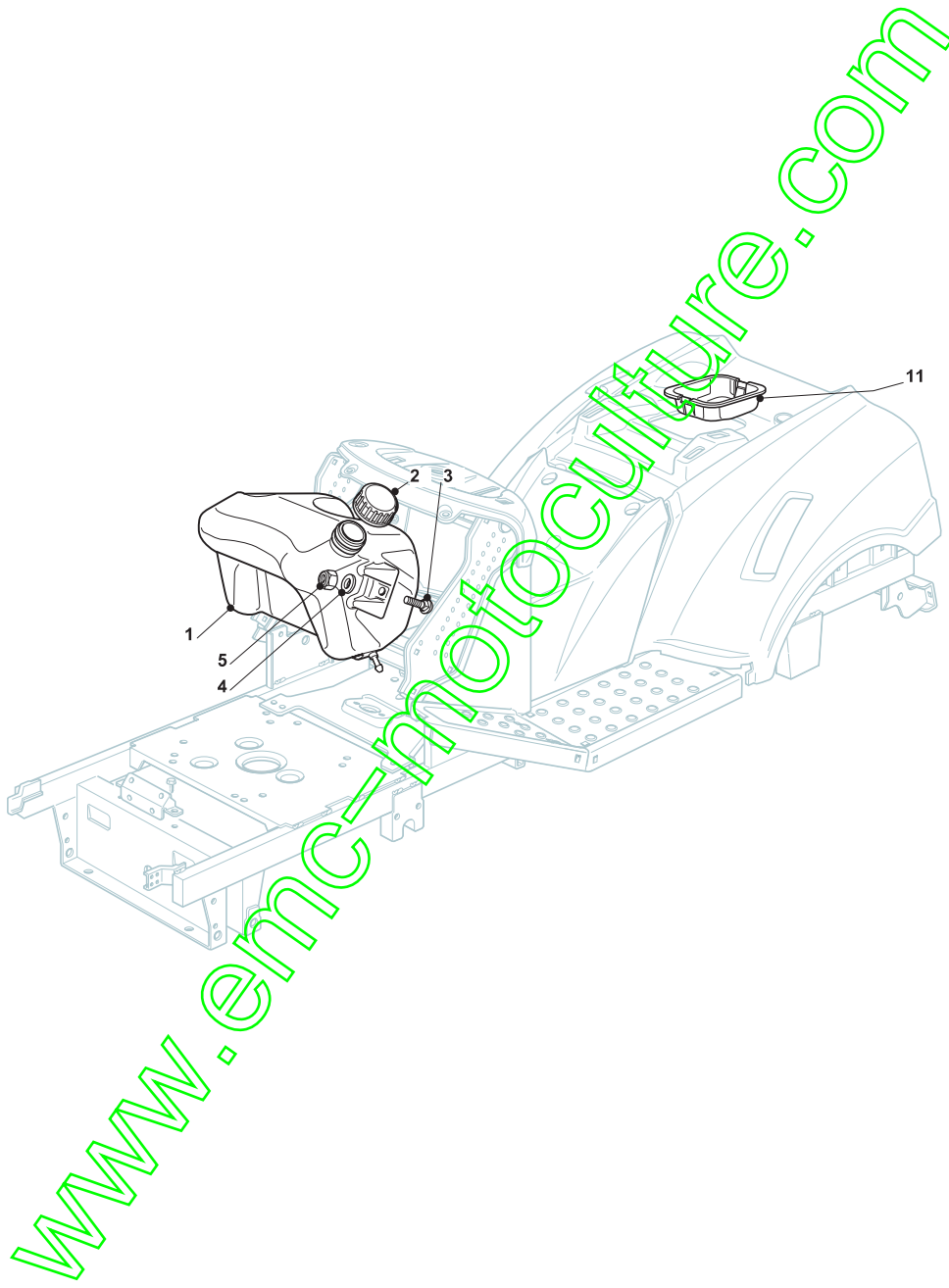
www.emc-motoculture.com



www.eng-motoculture.com

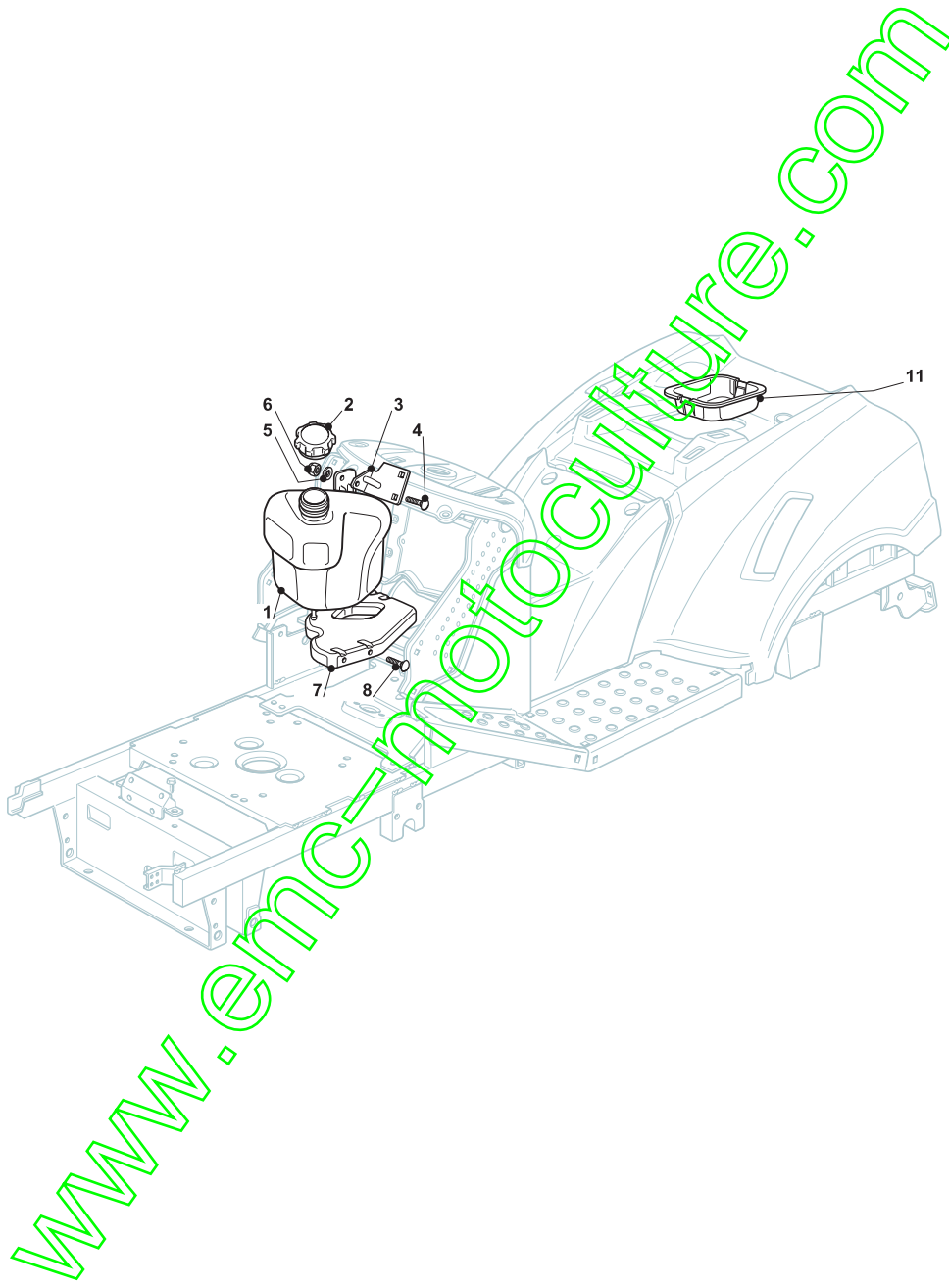
| Label | | | | | | | |
|-------|-------------|------|-------------|-------------|-------------|--------------|---------------------------------|
| POS | CODE | Q.TY | DESCRIPTION | DESCRIZIONE | DESCRIPTION | BESCHREIBUNG | NOTES |
| 1 | 114361440/0 | 1 | Label | Etichetta | Etiquette | Etikett | for NJTP-NJX-NJS-NJU-NJA models |
| 2 | 125420019/0 | 1 | Label | Etichetta | Etiquette | Etikett | 1 Led |
| 3 | 125420018/0 | 1 | Label | Etichetta | Etiquette | Etikett | for NJ-NJR-NJB |
| 4 | 114361438/0 | 1 | Label | Etichetta | Etiquette | Etikett | for NJ-NJR-NJB |
| 5 | 114361439/0 | 1 | Label | Etichetta | Etiquette | Etikett | for NJTP-NJX-NJS-NJU-NJA models |
| 6 | 114361452/0 | 1 | Label | Etichetta | Etiquette | Etikett | |
| 7 | 114356699/1 | 2 | Label | Etichetta | Etiquette | Etikett | |
| 10 | 114361441/0 | 1 | Label | Etichetta | Etiquette | Etikett | |
| 11 | 114361553/0 | 1 | Label | Etichetta | Etiquette | Etikett | |
| 12 | 125420020/0 | 1 | Label | Etichetta | Etiquette | Etikett | 6 Led |
| 13 | 114364616/0 | 1 | Label | Etichetta | Etiquette | Etikett | for Honda Engine |

www.emc-motoculture.com



| Tank 5,5 Lt | | | | | | | |
|-------------|-------------|------|-------------|-----------------|-------------------|---------------------|-------|
| POS | CODE | Q.TY | DESCRIPTION | DESCRIZIONE | DESCRIPTION | BESCHREIBUNG | NOTES |
| 1 | 325735128/0 | 1 | Tank | Serbatoio | Reservoir | Tank | |
| 2 | 125795000/1 | 1 | Fuel Cap | Tappo Serbatoio | Bouchon Reservoir | Tank Einfüllstopfen | |
| 3 | 112815210/0 | 2 | Screw | Vite | Vis | Schraube | |
| 4 | 325160039/0 | 2 | Spacer | Distanziale | Entretoise | Distanzring | |
| 5 | 112154510/0 | 2 | Nut | Dado | Écrou | Mutter | |
| 11 | 325207176/0 | 1 | Basin | Vaschetta | Cuvette | Wanne | |

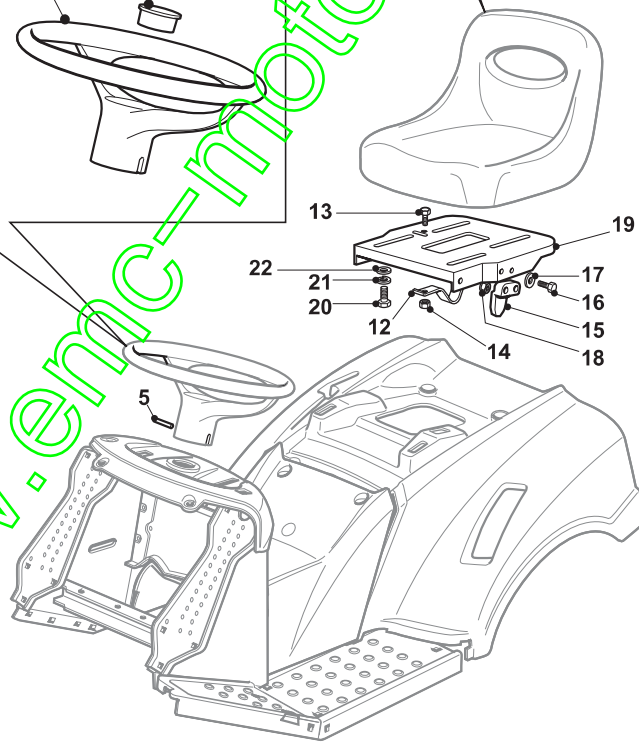
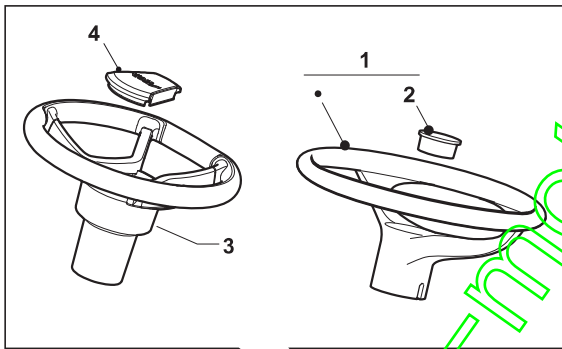
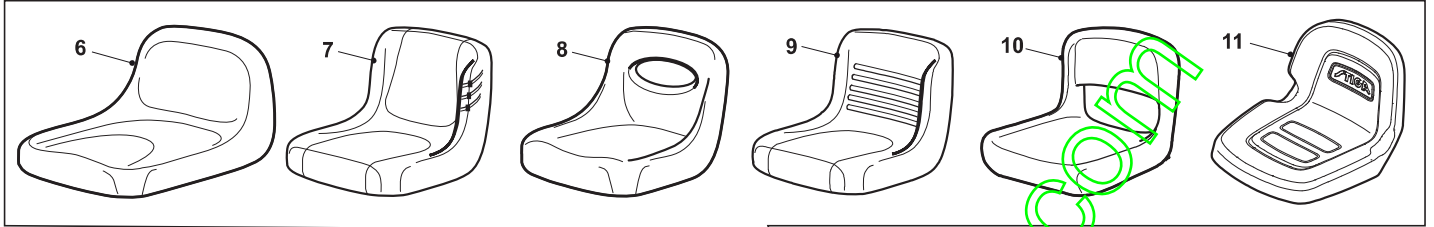
www.emc-motoculture.com



Tank 4,5 Lt

| POS | CODE | Q.TY | DESCRIPTION | DESCRIZIONE | DESCRIPTION | BESCHREIBUNG | NOTES |
|-----|-------------|------|-------------|-----------------|-------------------|---------------------|-------|
| 1 | 325735124/0 | 1 | Tank | Serbatoio | Reservoir | Tank | |
| 2 | 125795001/1 | 1 | Fuel Cap | Tappo Serbatoio | Bouchon Reservoir | Tank Einfüllstopfen | |
| 3 | 325785291/0 | 1 | Support | Supporto | Support | Halter | |
| 4 | 112789195/0 | 1 | Screw | Vite | Vis | Schraube | |
| 5 | 112581500/0 | 1 | Grower | Grower | Grower | Grower | |
| 6 | 112437503/0 | 1 | Plate | Piastrina | Plaquette | Plättchen | |
| 7 | 325785289/0 | 1 | Support | Supporto | Support | Halter | |
| 8 | 112735403/0 | 4 | Screw | Vite | Vis | Schraube | |
| 11 | 325207176/0 | 1 | Basin | Vaschetta | Cuvette | Wanne | |

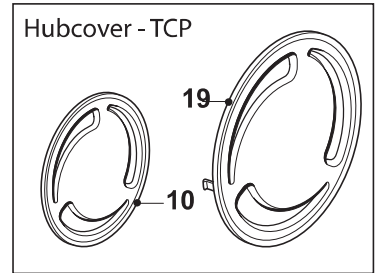
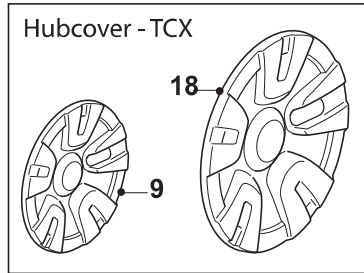
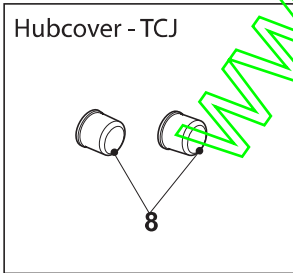
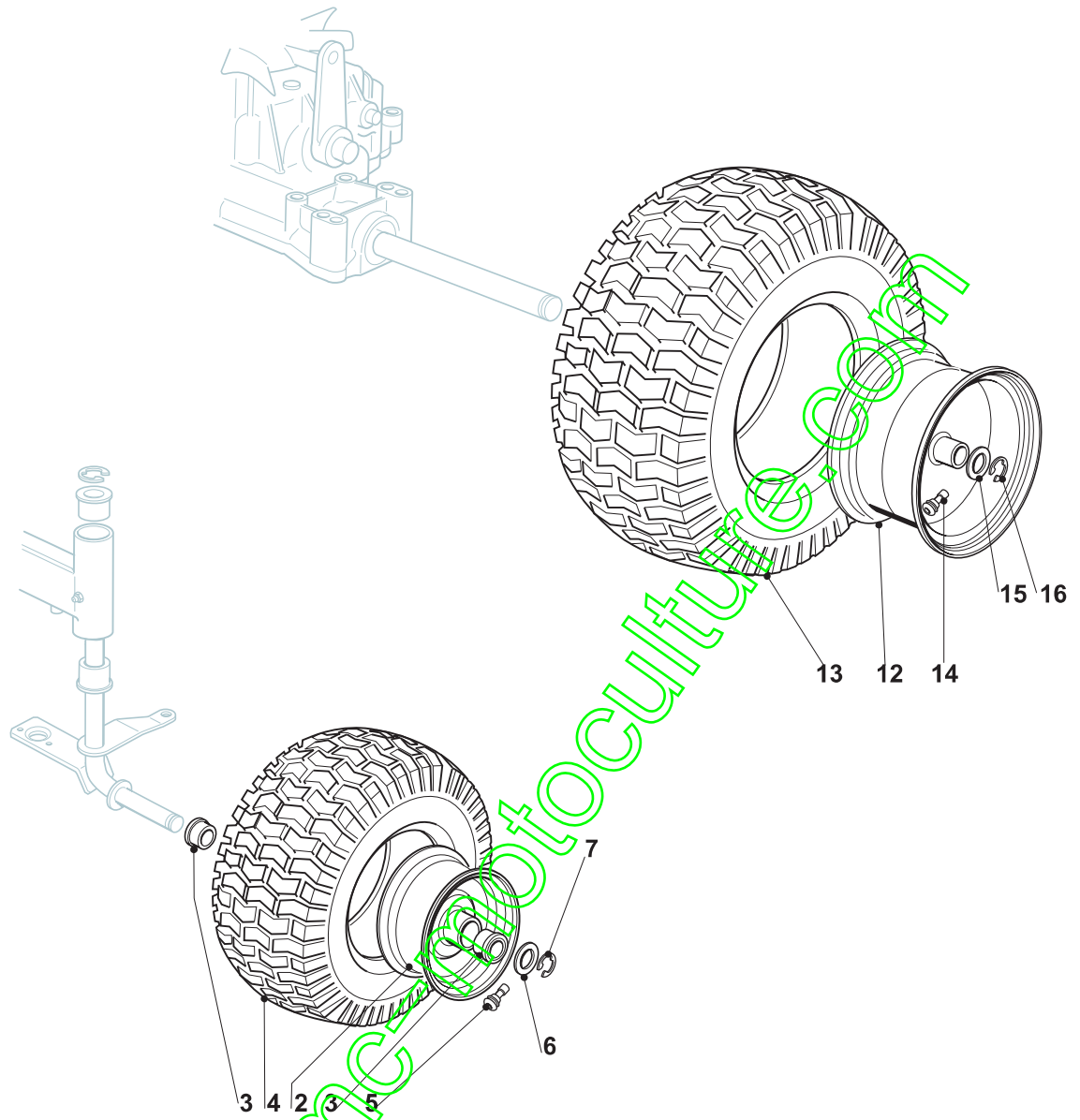
www.emc-motoculture.com



Steering Wheel

| POS | CODE | Q.TY | DESCRIPTION | DESCRIZIONE | DESCRIPTION | BESCHREIBUNG | NOTES |
|-----|-------------|------|----------------|----------------|-------------|--------------|-------|
| 1 | 125961212/0 | 1 | Steering Wheel | Volante | Volant | Lenkrad | Grey |
| 1 | 125961216/0 | 1 | Steering Wheel | Volante | Volant | Lenkrad | Black |
| 1 | 125961209/0 | 1 | Steering Wheel | Volante | Volant | Lenkrad | |
| 1 | 125961201/0 | 1 | Steering Wheel | Volante | Volant | Lenkrad | |
| 2 | 325580500/0 | 1 | Cap | Tappo | Bouchon | Stopfen | Grey |
| 2 | 325580501/0 | 1 | Cap | Tappo | Bouchon | Stopfen | Black |
| 3 | 325961222/1 | 1 | Steering Wheel | Volante | Volant | Lenkrad | |
| 4 | 325580508/0 | 1 | Cap | Tappo | Bouchon | Stopfen | |
| 5 | 112620299/0 | 1 | Elastic Pin | Spina Elastica | Goupille | Stift | |
| 6 | 125722470/0 | 1 | Seat | Sedile | Siege | Sitz | |
| 7 | 125722463/0 | 1 | Seat | Sedile | Siege | Sitz | |
| 8 | 125722453/1 | 1 | Seat | Sedile | Siege | Sitz | |
| 9 | 125722471/0 | 1 | Seat | Sedile | Siege | Sitz | |
| 10 | 125722456/0 | 1 | Seat | Sedile | Siege | Sitz | |
| 11 | 125722478/0 | 1 | Seat | Sedile | Siege | Sitz | |
| 12 | 125430223/2 | 1 | Spring | Molla | Ressort | Feder | |
| 13 | 112789000/0 | 1 | Screw | Vite | Vis | Schraube | |
| 14 | 112154330/0 | 1 | Low Nut | Dado | Écrou | Mutter | |
| 15 | 327063021/1 | 1 | Cam | Cam | Cam | Cam | |
| 16 | 112789100/0 | 2 | Screw | Vite | Vis | Schraube | |
| 17 | 112523020/0 | 2 | Washer | Rondella | Rondelle | Scheibe | |
| 18 | 112154330/0 | 2 | Low Nut | Dado | Écrou | Mutter | |
| 19 | 325547033/1 | 1 | Seat Plate | Seat Plate | Seat Plate | Seat Plate | |
| 20 | 112793101/0 | 4 | Screw | Vite | Vis | Schraube | |
| 21 | 112583500/0 | 4 | Grower | Grower | Grower | Federring | |
| 22 | 112523060/0 | 4 | Washer | Rondella | Rondelle | Scheibe | |

www.emc-motoculture.com



| Wheels | | | | | | | |
|--------|-------------|------|--------------|----------------|----------------|------------------|---------------------|
| POS | CODE | Q.TY | DESCRIPTION | DESCRIZIONE | DESCRIPTION | BESCHREIBUNG | NOTES |
| 2 | 182000598/0 | 2 | Rimm | Cerchio Ruota | Bandage Roue | Vorderrad Felger | STD |
| 2 | 182000590/1 | 2 | Rimm | Cerchio Ruota | Bandage Roue | Vorderrad Felger | Stiga Version |
| 3 | 125122200/2 | 4 | Bearing | Cuscinetto | Roulement | Lager | |
| 4 | 125590014/0 | 2 | Tyre | Pneumatico | Pneu | Reifen | 13" |
| 4 | 127590066/0 | 2 | Tyre | Pneumatico | Pneu | Reifen | 15" |
| 4 | 125590020/0 | 2 | Tyre | Pneumatico | Pneu | Reifen | 15" - Stiga Version |
| 5 | 125950000/0 | 2 | Valve | Valvola | Soupape | Ventil | |
| 6 | 125670005/1 | 2 | Washer | Rosetta | Rondelle | Scheibe | |
| 7 | 112001000/0 | 2 | Benzing Ring | Anello Benzing | Anneau Benzing | Ring Benzing | |
| 8 | 122110230/0 | 2 | Hub Cover | Coprizzo | Couvre Moyeu | Nabendeckel | Black |
| 9 | 382110274/0 | 2 | Hub Cover | Coprizzo | Couvre Moyeu | Nabendeckel | Grey |
| 10 | 382110252/0 | 2 | Hub Cover | Coprizzo | Couvre Moyeu | Nabendeckel | Grey |
| 12 | 182000599/0 | 2 | Rimm | Cerchio Ruota | Bandage Roue | Hinterrad Felger | STD |
| 12 | 182000592/0 | 2 | Rimm | Cerchio Ruota | Bandage Roue | Hinterrad Felger | Stiga Version |
| 13 | 125590015/0 | 2 | Tyre | Pneumatico | Pneu | Reifen | STD |
| 13 | 125590022/0 | 2 | Tyre | Pneumatico | Pneu | Reifen | Stiga Version |
| 14 | 125950000/0 | 2 | Valve | Valvola | Soupape | Ventil | |
| 15 | 125670005/1 | 2 | Washer | Rosetta | Rondelle | Scheibe | |
| 16 | 112001010/0 | 2 | Benzing Ring | Anello Benzing | Anneau Benzing | Ring Benzing | |
| 17 | 122110230/0 | 2 | Hub Cover | Coprizzo | Couvre Moyeu | Nabendeckel | Black |
| 18 | 382110275/0 | 2 | Hub Cover | Coprizzo | Couvre Moyeu | Nabendeckel | Grey |
| 19 | 382110253/0 | 2 | Hub Cover | Coprizzo | Couvre Disque | Nabendeckel | Grey |

www.emc-motoculture.com