

- H 350 \_\_\_\_\_
- K 350 \_\_\_\_\_
- K 390 \_\_\_\_\_
- C 350 \_\_\_\_\_
- C 390 \_\_\_\_\_
- NG 410 / 410 S \_\_\_\_\_
- NG 460 \_\_\_\_\_
- NG 414 \_\_\_\_\_
- NG 464 \_\_\_\_\_
- NG 464 TR \_\_\_\_\_
- NG 464 TR-E \_\_\_\_\_
- NG 504 \_\_\_\_\_
- NG 504 TR \_\_\_\_\_
- NG 504 TR-E \_\_\_\_\_
- R 430 / 430 S \_\_\_\_\_
- R 480 \_\_\_\_\_
- R 430 TR \_\_\_\_\_
- R 434 \_\_\_\_\_
- R 484 \_\_\_\_\_
- R 534 \_\_\_\_\_
- R 484 TR / TR-E \_\_\_\_\_
- R 534 TR / TR-E \_\_\_\_\_
- RL 430 / 430 S \_\_\_\_\_
- RL 480 \_\_\_\_\_
- RL 430 TR \_\_\_\_\_
- RL 434 \_\_\_\_\_
- RL 484 \_\_\_\_\_
- RL 534 \_\_\_\_\_
- RL 484 TR \_\_\_\_\_
- RL 484 TR-E \_\_\_\_\_
- RL 534 TR \_\_\_\_\_
- RL 534 TR-E \_\_\_\_\_
- TD 430 / 430 S \_\_\_\_\_
- TD 480 \_\_\_\_\_
- TD 430 TR \_\_\_\_\_
- TD 434 \_\_\_\_\_
- TD 484 \_\_\_\_\_
- TD 534 \_\_\_\_\_
- TD 484 TR \_\_\_\_\_
- TD 484 TR-E \_\_\_\_\_
- TD 534 TR \_\_\_\_\_
- TD 534 TR-E \_\_\_\_\_
- TDL 430 / 430 S \_\_\_\_\_
- TDL 480 \_\_\_\_\_
- TDL 430 TR \_\_\_\_\_
- TDL 434 \_\_\_\_\_
- TDL 484 \_\_\_\_\_
- TDL 534 \_\_\_\_\_
- TDL 484 TR \_\_\_\_\_
- TDL 484 TR-E \_\_\_\_\_
- TDL 534 TR \_\_\_\_\_
- TDL 534 TR-E \_\_\_\_\_
- CA 430 \_\_\_\_\_
- CA 480 \_\_\_\_\_
- CA 434 \_\_\_\_\_
- CA 484 \_\_\_\_\_
- CA 534 \_\_\_\_\_
- CA 430 TR \_\_\_\_\_
- CA 434 TR \_\_\_\_\_
- CA 484 TR / TR-E \_\_\_\_\_
- CA 534 TR / TR-E \_\_\_\_\_
- CAL 430 \_\_\_\_\_
- CAL 480 \_\_\_\_\_
- CAL 434 \_\_\_\_\_
- CAL 484 \_\_\_\_\_
- CAL 534 \_\_\_\_\_
- CAL 430 TR \_\_\_\_\_
- CAL 434 TR \_\_\_\_\_
- CAL 484 TR / TR-E \_\_\_\_\_
- CAL 534 TR / TR-E \_\_\_\_\_
- T 430 / 430 S \_\_\_\_\_
- T 480 \_\_\_\_\_
- T 434 \_\_\_\_\_
- T 484 \_\_\_\_\_
- T 484 TR \_\_\_\_\_
- T 484 TR-E \_\_\_\_\_
- PAN 504 \_\_\_\_\_
- PAN 504 TR \_\_\_\_\_
- PAN 504 TR-E \_\_\_\_\_
- PAN 504 TR-E 3S \_\_\_\_\_
- PAN 504 TR 3S \_\_\_\_\_
- NP 534 \_\_\_\_\_
- NP 534 TR \_\_\_\_\_
- NP 534 TR 3S \_\_\_\_\_
- NP 534 TR-E 3S \_\_\_\_\_
- S 474 L \_\_\_\_\_

01T.047

Pos	Code	Q.ty	Descrizione	Description	Description	Beschreibung
1	22601001/ 0	1	PROTEZIONE	PROTECTION	PROTECTION	SCHUTZ
2	12691800/ 0	3/ 2	VITE (M8X60)	SCREW (M8X60)	VIS (M8X60)	SCHRAUBE (M8X60)
-	12692080/ 0	0/ 1	VITE	SCREW	VIS	SCHRAUBE
3	12521350/ 0	3	RONDELLA	WASHER	RONDELLE	SCHEIBE
4	12155000/ 0	3	DADO	NUT	ECROU	MUTTER
5	81001843/ 0	1	CHASSIS ROSSO CON FORI PER MASCHERINA	DECK RED WITH HOLES FOR HALF-MASK	CHÂSSIS ROUGE AVEC TROUS POUR LOUP	GEHÄUSE ROT MIT LOCHEN FÜR KLEINE MASKE
-	81001844/ 0	1	CHASSIS GIALLO CON FORI PER MASCHERINA	DECK YELLOW WITH HOLES FOR HALF-MASK	CHÂSSIS JAUNE AVEC TROUS POUR LOUP	GEHÄUSE GELB MIT LOCHEN FÜR KLEINE MASKE
-	81001845/ 0	1	CHASSIS VERDE CON FORI PER MASCHERINA	DECK GREEN WITH HOLES FOR HALF-MASK	CHÂSSIS VERT AVEC TROUS POUR LOUP	GEHÄUSE GRÜN MIT LOCHEN FÜR KLEINE MASKE
-	81001652/ 0	1	CHASSIS ROSSO	DECK RED	CHÂSSIS ROUGE	GEHÄUSE ROTES
-	81001654/ 0	1	CHASSIS GIALLO	DECK YELLOW	CHÂSSIS JAUNE	GEHÄUSE GELBES
-	81001656/ 0	1	CHASSIS VERDE	DECK GREEN	CHÂSSIS VERT	GEHÄUSE GRÜNES
6	22226050/ 0	1	MASCHERINA	MASK	MESQUE	MASKE
7	12523040/ 0	5	RONDELLA	WASHER	RONDELLE	SCHEIBE
8	12735402/ 0	1	VITE	SCREW	VIS	SCHRAUBE
9	22038400/ 1	2	BRONZINA	BRASS	DOUILLE	BÜCHSE
10	22545156/ 0	2	PIASTRINA	PLATE	PLAQUETTE	PLATTE
11	12731350/ 0	8	VITE	SCREW	VIS	SCHRAUBE
12	12729600/ 0	2	VITE	SCREW	VIS	SCHRAUBE
13	22034000/ 0	1	ATTACCO ACQUA LAVAGGIO	WASHING CONNECTION	ATTAQUE LAVAGE	WASCHENVERBINDUNG
14	19035000/ 0	1	ANELLO OR	OR RING	BAGUE OR	RING OR
15	22545152/ 0	2	PIASTRINA	PLATE	PLAQUETTE	PLATTE
16	22595352/ 0	1	PORTINA CHIUSURA	INSPECTION DOOR	VOYANT DE VISITE	ABDECKPLATTE
17	22060181/ 1	1	CARTER CINGHIA	PROTECTION, BELT	PROTECTION COURROIRE	SCHUTZ, RIEMEN

18	12728522/ 0	2	VITE	SCREW	VIS	SCHRAUBE	H 350
19	12789000/ 0	2	VITE	SCREW	VIS	SCHRAUBE	K 350
20	22108205/ 0	1	CONVOGLIATORE	CONVEYOR	CONVOYEUR	KONVOYOR	K 390
21	12523020/ 0	1	RONDELLA	WASHER	RONDELLE	SCHLEIBE	C 350
22	12154330/ 0	1	DADO	NUT	ECROU	MUTTER	C 390
23	22517856/ 0	1	PERNO	PIN	PIVOT	BOLZEN	NG 410 / 410 S
24	22600023/ 2	1	PARASASSI	STONE-GUARD	PARE-PIERRES	PRALLBLECH	NG 460
25	22450270/ 0	1	MOLLA	SPRING	RESSORT	FEDER	NG 414
26	12293200/ 0	2	DADO	NUT	ECROU	MUTTER	NG 464
27	22399803/ 0	2	MANOPOLINA	KNOB	POIGNEE	GRIFF	NG 464 TR
28	22680006/ 1	2	RONDELLA	WASHER	RONDELLE	SCHLEIBE	NG 464 TR-E
29	81000634/ 0	1	CAVO FRENO MOTORE	CABLE, THREAD MOTOR BRAKE	CABLE FREIN MOTEUR	KABEL, MOTORBREMSE (B&S)	NG 504
-	81000628/ 0	1	CAVO FRENO MOTORE	CABLE, THREAD MOTOR BRAKE	CABLE FREIN MOTEUR	KABEL, MOTORBREMSE (HONDA)	NG 504 TR
-	81000629/ 1	1	CAVO FRENO MOTORE	CABLE, THREAD MOTOR BRAKE	CABLE FREIN MOTEUR	KABEL, MOTORBREMSE (TECUMSEH)	NG 504 TR-E
30	81007160/ 0	1	CAVO ACCELERATORE	CABLE, TROTTLE	CABLE, ACCELERATEUR	KABEL, BESCHLEUNIGER (B&S)	R 430 / 430 S
-	81007160/ 0	1	CAVO ACCELERATORE	CABLE, TROTTLE	CABLE, ACCELERATEUR	KABEL, BESCHLEUNIGER (TECUMSEH-HONDA)	R 480
31	12735105/ 0	1	VITE	SCREW	VIS	SCHRAUBE	R 430 TR
32	12728460/ 0	1	VITE	SCREW	VIS	SCHRAUBE	R 434
-	12728460/ 0	1	VITE	SCREW	VIS	SCHRAUBE	R 484
33	12523040/ 0	2	RONDELLA	WASHER	RONDELLE	SCHLEIBE	R 534
34	12154510/ 0	1	DADO	NUT	ECROU	MUTTER	R 484 TR / TR-E
35	81003288/ 1	1	LEVA TRAZIONE	LEVER, DRIVING	LEVIER TRACTION	HEBEL, ANTRIEB	R 534 TR / TR-E
36	22041965/ 0	2	BUSSOLA	BUSH	DOUILLE	BUCHSE	RL 430 / 430 S
37	22041966/ 0	2	BUSSOLA	BUSH	DOUILLE	BUCHSE	RL 480
38	81003291/ 2	1	LEVA FRENO MOTORE	LEVER, MOTOR BRAKE	LEVIER FREIN MOTEUR	HEBEL, MOTORBREMSE	RL 430 TR
39	22291050/ 0	1	IMPUGNATURA MANICO NERA	HANDGRIP BLACK	POIGNEE NOIRE	HANDGRIFF SCHWARZER	RL 434
-	22291051/ 0	1	IMPUGNATURA MANICO ROSSA	HANDGRIP RED	POIGNEE ROUGE	HANDGRIFF ROTER	RL 484
-	22291052/ 0	1	IMPUGNATURA MANICO GIALLA	HANDGRIP YELLOW	POIGNEE JAUNE	HANDGRIFF GELBER	RL 534
40	81007280/ 2	1	ASS. LEVA + MANOPOLINA	KNOB	POIGNEE	GRIFF	RL 484 TR
41	14356744/ 0	1	ETICHETTA	LABEL	ETIQUETTE	ETIKETTE (B&S)	RL 484 TR-E
-	14356743/ 0	1	ETICHETTA	LABEL	ETIQUETTE	ETIKETTE (TECUMSEN-HONDA)	RL 534 TR
42	22120158/ 0	1	CRUSCOTTO NERO	DASH BOARD BLACK	CONSOLE NOIRE	KONSOLE SCHWARZE	RL 534 TR-E
-	22120154/ 0	1	CRUSCOTTO ROSSO	DASH BOARD RED	CONSOLE ROUGE	KONSOLE ROTE	TD 430 / 430 S
-	22120152/ 0	1	CRUSCOTTO GIALLO	DASH BOARD YELLOW	CONSOLE JAUNE	KONSOLE GELBE	TD 480
43	22430309/ 0	1	MOLLA GUIDA	GUIDE SPRING	RESSORT DE GUIDE	FEDER FUHRER	TD 430 TR
44	22943006/ 0	1	VITE	SCREW	VIS	SCHRAUBE	TD 434
45	81006861/ 0	1	MANICO, PARTE INFERIORE	HANDLE, LOWER PART	MANCHERON, PARTIE INFERIEURE	HOLM, UNTERTEIL	TD 484
46	12791500/ 0	1	VITE	SCREW	VIS	SCHRAUBE	TD 534
47	12530060/ 0	2	RONDELLA	WASHER	RONDELLE	SCHLEIBE	TD 484 TR
48	22981467/ 0	1	PIASTRINA	PLATE	PLAQUETTE	PLATTE	TD 484 TR-E
49	12154330/ 0	1	DADO	NUT	ECROU	MUTTER	TD 534 TR
50	12819120/ 0	1	VITE	SCREW	VIS	SCHRAUBE	TD 534 TR-E
51	22778397/ 0	1	STAFFA SX	BRACKET, LEFT	BRIDE GAUCHE	PRATZE, LINKE	TDL 430 / 430 S
52	12793301/ 0	2	VITE	SCREW	VIS	SCHRAUBE	TDL 480
53	12155000/ 0	4	DADO	NUT	ECROU	MUTTER	TDL 430 TR
54	22778396/ 0	1	STAFFA DX	BRACKET, RIGHT	BRIDE DROITE	PRATZE, RECHTE	TDL 434
-	81008610/ 0	1	DOTAZIONE VITERIA	OUTFIT, SCREWS	DOTATION VISSERIE	SATZ, SCHRAUBEN	TDL 484
-	81008609/ 0	1	DOTAZ. VITERIA CRUSCOTTO	OUTFIT, DASH-BOARD SCREWS	DOTATION VISSERIE CONSOLLE	SATZ, KONSOLLE SCHRAUBEN	TDL 534 TR
							TDL 534 TR-E
							CA 430
							CA 480
							CA 434
							CA 484
							CA 534
							CA 430 TR
							CA 434 TR
							CA 484 TR / TR-E
							CA 534 TR / TR-E
							CAL 430
							CAL 480
							CAL 434
							CAL 484
							CAL 534
							CAL 430 TR
							CAL 434 TR
							CAL 484 TR / TR-E
							CAL 534 TR / TR-E
							T 430 / 430 S
							T 480
							T 434
							T 484
							T 484 TR
							T 484 TR-E
							PAN 504
							PAN 504 TR
							PAN 504 TR-E
							PAN 504 TR-E 3S
							PAN 504 TR 3S
							NP 534
							NP 534 TR-E
							NP 534 TR 3S
							NP 534 TR-E 3S
							S 474 L

1

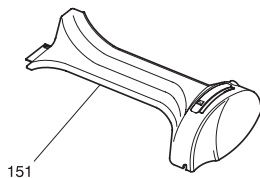
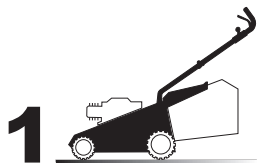
2

3

4

5

6



01T.046

VARIANTE CRUSCOTTO - DASH BOARD VARIANT - VARIANTE CONSOLE - KONSOLEVARIANTE

Pos	Code	Q.ty	Descrizione	Description	Description	Beshreibung
151	22120172/ 0	1	CRUSCOTTO NERO	DASH-BOARD BLACK	CONSOLE NOIRE	KONSOLE SCHWARZE
-	22120173/ 0	1	CRUSCOTTO ROSSO	DASH-BOARD RED	CONSOLE ROUGE	KONSOLE ROTE
-	22120174/ 0	1	CRUSCOTTO GIALLO	DASH-BOARD YELLOW	CONSOLE JAUNE	KONSOLE GELBE

- H 350
- K 350
- K 390
- C 350
- C 390
- NG 410 / 410 S
- NG 460
- NG 414
- NG 464
- NG 464 TR
- NG 464 TR-E
- NG 504
- NG 504 TR
- NG 504 TR-E
- R 430 / 430 S
- R 480
- R 430 TR
- R 434
- R 484
- R 534
- R 484 TR / TR-E
- R 534 TR / TR-E
- RL 430 / 430 S
- RL 480
- RL 430 TR
- RL 434
- RL 484
- RL 534
- RL 484 TR
- RL 484 TR-E
- RL 534 TR
- RL 534 TR-E
- TD 430 / 430 S
- TD 480
- TD 430 TR
- TD 434
- TD 484
- TD 534
- TD 484 TR
- TD 484 TR-E
- TD 534 TR
- TD 534 TR-E
- TDL 430 / 430 S
- TDL 480
- TDL 430 TR
- TDL 434
- TDL 484
- TDL 534
- TDL 484 TR
- TDL 484 TR-E
- TDL 534 TR
- TDL 534 TR-E
- CA 430
- CA 480
- CA 434
- CA 484
- CA 534
- CA 430 TR
- CA 434 TR
- CA 484 TR / TR-E
- CA 534 TR / TR-E
- CAL 430
- CAL 480
- CAL 434
- CAL 484
- CAL 534
- CAL 430 TR
- CAL 434 TR
- CAL 484 TR / TR-E
- CAL 534 TR / TR-E
- T 430 / 430 S
- T 480
- T 434
- T 484
- T 484 TR
- T 484 TR-E
- PAN 504
- PAN 504 TR
- PAN 504 TR-E
- PAN 504 TR-E 3S
- PAN 504 TR 3S
- NP 534
- NP 534 TR
- NP 534 TR-E
- NP 534 TR 3S
- NP 534 TR-E 3S
- S 474 L

www.emc-motoculture.com

1

2

3

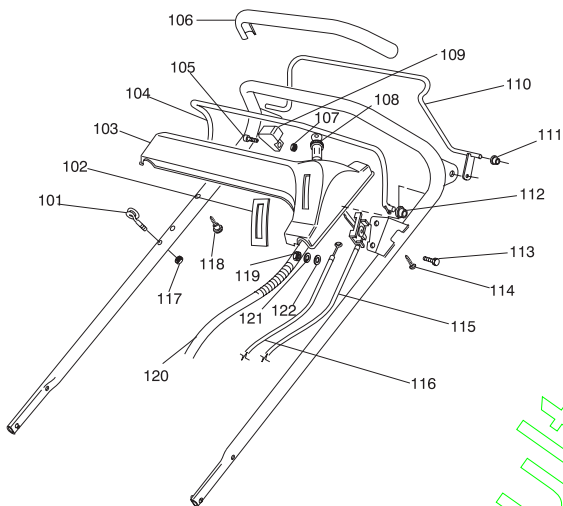
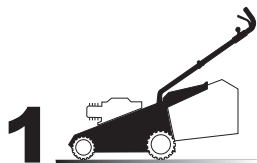
4

5

6

# NP 534 TR-NP 534 TR-E

# 01T.048



- H 350
- K 350
- K 390
- C 350
- C 390
- NG 410 / 410 S
- NG 460
- NG 414
- NG 464
- NG 464 TR
- NG 464 TR-E
- NG 504
- NG 504 TR
- NG 504 TR-E
- R 430 / 430 S
- R 480
- R 430 TR
- R 434
- R 484
- R 534
- R 484 TR / TR-E
- R 534 TR / TR-E
- RL 430 / 430 S
- RL 480
- RL 430 TR
- RL 434
- RL 484
- RL 534
- RL 484 TR
- RL 484 TR-E
- RL 534 TR
- RL 534 TR-E
- TD 430 / 430 S
- TD 480
- TD 430 TR
- TD 434
- TD 484
- TD 534
- TD 484 TR
- TD 484 TR-E
- TD 534 TR
- TD 534 TR-E
- TDL 430 / 430 S
- TDL 480
- TDL 430 TR
- TDL 434
- TDL 484
- TDL 534
- TDL 484 TR
- TDL 484 TR-E
- TDL 534 TR
- TDL 534 TR-E
- CA 430
- CA 480
- CA 434
- CA 484
- CA 534
- CA 430 TR
- CA 434 TR
- CA 484 TR / TR-E
- CA 534 TR / TR-E
- CAL 430
- CAL 480
- CAL 434
- CAL 484
- CAL 534
- CAL 430 TR
- CAL 434 TR
- CAL 484 TR / TR-E
- CAL 534 TR / TR-E
- T 430 / 430 S
- T 480
- T 434
- T 484
- T 484 TR
- T 484 TR-E
- PAN 504
- PAN 504 TR
- PAN 504 TR-E
- PAN 504 TR-E 3S
- PAN 504 TR 3S
- NP 534
- NP 534 TR-E
- NP 534 TR 3S
- NP 534 TR-E 3S
- S 474 L

01T.048

01T.048

VARIANTE MANICO - HANDLE VARIANTE

Pos	Code	Q.ty	Descrizione	Description	Description	Beschreibung
101	22430309/ 0	1	MOLLA GUIDA	GUIDE SPRING	RESSORT DE GUIDE	FEDER FÜHRER
102	14356693/ 0	1	ETICHETTA	LABEL	ETIQUETTE	ETIKETTE (B&S)
-	14356692/ 0	1	ETICHETTA	LABEL	ETIQUETTE	ETIKETTE (TECUMSEHONDA)
103	22120150/ 0	1	CRUSCOTTO ROSSO	DASH BOARD RED	CONSOLE ROUGE	KONSOLE ROTE
-	22120164/ 0	1	CRUSCOTTO NERO	DASH BOARD BLACK	CONSOLE NOIRE	KONSOLE SCHWARZE
-	22120148/ 0	1	CRUSCOTTO GIALLO	DASH BOARD YELLOW	CONSOLE JAUNE	KONSOLE GELBE
104	81003291/ 2	1	LEVA FRENO MOTORE	LEVER, MOTOR BRAKE	LEVIER FREIN MOTEUR	HEBEL, MOTORBREMSE
105	12726388/ 0	1	VITE	SCREW	VIS	SCHRAUBE
106	22291051/ 0	1	IMPUGNATURA MANICO ROSSA	HANDGRIP RED	POIGNÉE ROUGE	HANDGRIFF RÖTER
-	22291052/ 0	1	IMPUGNATURA MANICO GIALLA	HANDGRIP YELLOW	POIGNÉE JAUNE	HANDGRIFF GELBER
-	22291050/ 0	1	IMPUGNATURA MANICO NERA	HANDGRIP BLACK	POIGNÉE NOIRE	HANDGRIFF SCHWARZER
107	12290800/ 0	2	DADO	NUT	ECROU	MUTTER
109	22399801/ 0	1	MANOPOLINA	KNOB	POIGNÉE	GRIFT
110	22778397/ 0	1	STAFFA SX	BRACKET, LEFT	BRIDE GAUCHE	PRATZE, LINKE
111	12819120/ 0	1	VITE	SCREW	VIS	SCHRAUBE
112	22041966/ 0	2	BUSSOLA	BUSH	DOUILLE	BUCHSE
113	12788910/ 0	2	VITE	SCREW	VIS	SCHRAUBE
114	12728460/ 0	2	VITE	SCREW	VIS	SCHRAUBE
115	81007091/ 0	1	CAVO ACCELERATORE	CABLE, TROTTLE	CABLE, ACCELERATEUR	KABELE, BESCHLEUNIGER (B&S)
-	81007092/ 0	1	CAVO ACCELERATORE	CABLE, TROTTLE	CABLE, ACCELERATEUR	KABELE, BESCHLEUNIGER (TECUMSEHONDA)
116	81000634/ 0	1	CAVO FRENO MOTORE	CABLE, THREAD MOTOR BRAKE	CABLE FREIN MOTEUR	KABEL, MOTORBREMSE (B&S)
-	81000628/ 0	1	CAVO FRENO MOTORE	CABLE, THREAD MOTOR BRAKE	CABLE FREIN MOTEUR	KABEL, MOTORBREMSE (HONDA)
-	81000629/ 1	1	CAVO FRENO MOTORE	CABLE, THREAD MOTOR BRAKE	CABLE FREIN MOTEUR	KABEL, MOTORBREMSE (TECUMSEH)
117	12154330/ 0	1	DADO	NUT	ECROU	MUTTER
118	22943006/ 0	1	VITE	SCREW	VIS	SCHRAUBE
119	12291000/ 0	2	DADO	NUT	ECROU	MUTTER
121	12581500/ 0	2	GROWER	GROWER	GROWER	FEDERING
122	12523020/ 0	2	RONDELLA	WASHER	RONDELLE	SCHIBE
-	81008499/ 1	1	DOTAZ. VITERIA CRUSCOTTO	OUTFIT, DASH-BOARD SCREWS	DOTATION VISSERIE CONSOLLE	SATZ, KONSOLLE SCHRAUBEN

VARIANTI PER AVVIAMENTO ELETTRICO - PARTS FOR ELECTIC START - COMPOSANTS POUR DÉMARRAGE ÉLECTRIQUE - ELEKTROSTART BESTANDTEILE

108	18450050/ 0	1	INTERRUTTORE	SWITCH	INTERRUPTEUR	SCHALTER
120	18204190/ 2	1	CAVO AVVIAMENTO	CABLE, START	CABLE DÉMARRAGE	KABEL, START

1

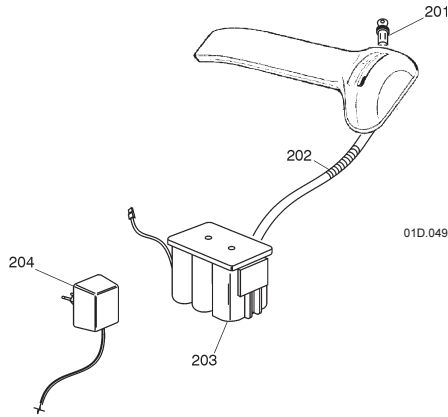
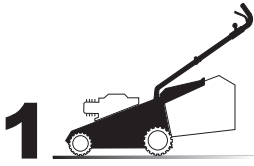
2

3

4

5

6



01D.049

01T.049

VARIANTE PER AVVIAMENTO ELETTRICO - PARTS FOR ELECTRIC START - COMPOSANTS POUR DÉMARRAGE ÉLECTRIQUE - ELEKTROSTART BESTANDTEILE

Pos	Code	Q.ty	Descrizione	Description	Description	Beschreibung
201	18450050/ 0	1	INTERRUTTORE	SWITCH	INTERRUPTEUR	SCHALTER
202	18204190/ 2	1	CAVO AVVIAMENTO	CABLE START	CABLE DÉMARRAGE	KABEL START
203	18120050/ 0	1	BATTERIA	BATTERY	BATTERIE	BATTERIE
204	18204110/ 0	1	CARICA BATTERIA	BATTERY CHARGER	CHARGEUR DE BATTERIE	LADGERÄT

- H 350
- K 350
- K 390
- C 350
- C 390
- NG 410 / 410 S
- NG 460
- NG 414
- NG 464
- NG 464 TR
- NG 464 TR-E
- NG 504
- NG 504 TR
- NG 504 TR-E
- R 430 / 430 S
- R 480
- R 430 TR
- R 434
- R 484
- R 534
- R 484 TR / TR-E
- R 534 TR / TR-E
- RL 430 / 430 S
- RL 480
- RL 430 TR
- RL 434
- RL 484
- RL 534
- RL 484 TR
- RL 484 TR-E
- RL 534 TR
- RL 534 TR-E
- TD 430 / 430 S
- TD 480
- TD 430 TR
- TD 434
- TD 484
- TD 534
- TD 484 TR
- TD 484 TR-E
- TD 534 TR
- TD 534 TR-E
- TDL 430 / 430 S
- TDL 480
- TDL 430 TR
- TDL 434
- TDL 484
- TDL 534
- TDL 484 TR
- TDL 484 TR-E
- TDL 534 TR
- TDL 534 TR-E
- CA 430
- CA 480
- CA 434
- CA 484
- CA 534
- CA 430 TR
- CA 434 TR
- CA 484 TR / TR-E
- CA 534 TR / TR-E
- CAL 430
- CAL 480
- CAL 434
- CAL 484
- CAL 534
- CAL 430 TR
- CAL 434 TR
- CAL 484 TR / TR-E
- CAL 534 TR / TR-E
- T 430 / 430 S
- T 480
- T 434
- T 484
- T 484 TR
- T 484 TR-E
- PAN 504
- PAN 504 TR
- PAN 504 TR-E
- PAN 504 TR-E 3S
- PAN 504 TR 3S
- NP 534
- NP 534 TR
- NP 534 TR-E
- NP 534 TR 3S
- NP 534 TR-E 3S
- S 474 L

www.emc-motoculture.com

1

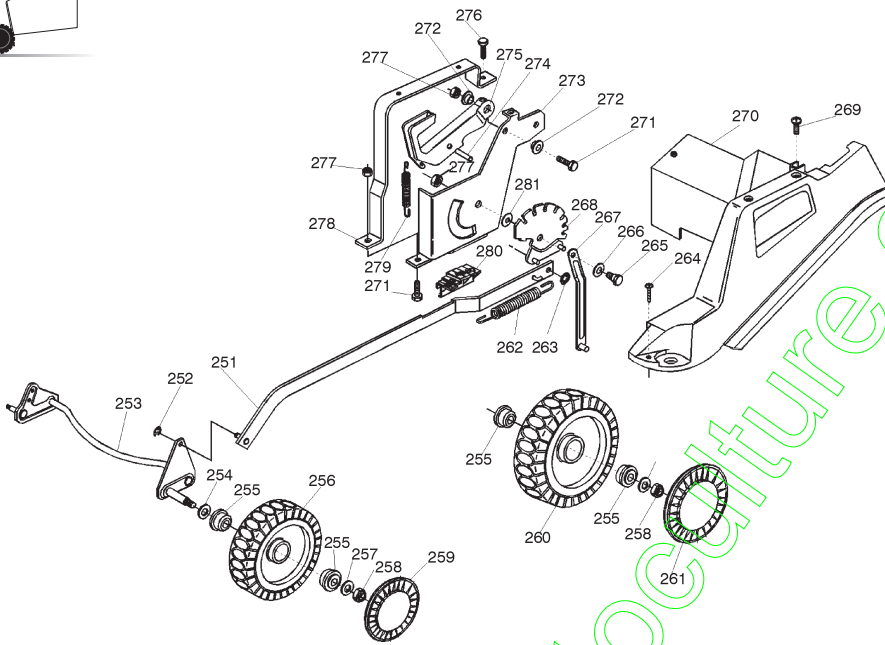
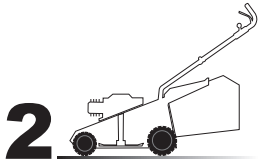
2

3

4

5

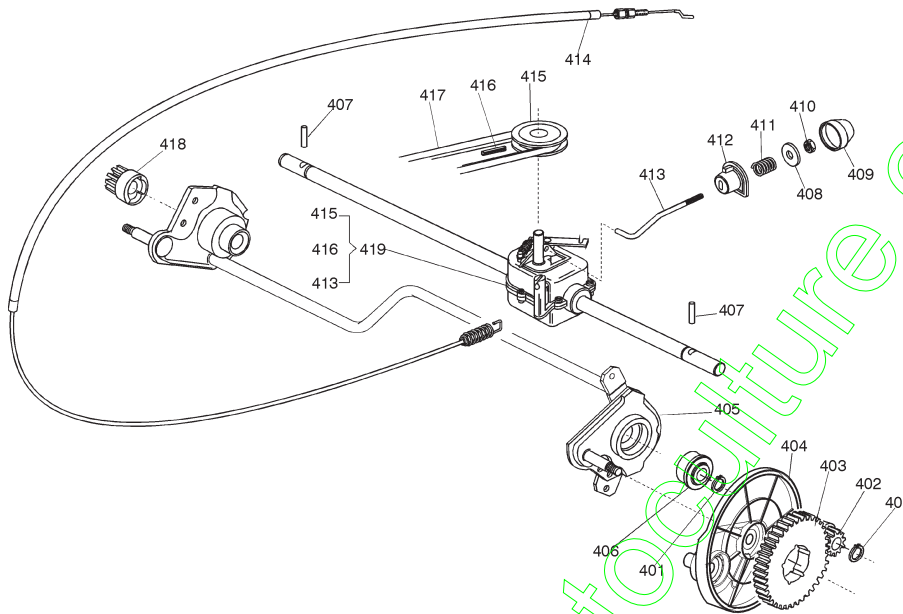
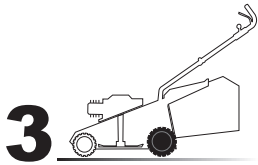
6



H 350
K 350
K 390
C 350
C 390
NG 410 / 410 S
NG 460
NG 414
NG 464
NG 464 TR
NG 464 TR-E
NG 504
NG 504 TR
NG 504 TR-E
R 430 / 430 S
R 480
R 430 TR
R 434
R 484
R 534
R 484 TR / TR-E
R 534 TR / TR-E
RL 430 / 430 S
RL 480
RL 430 TR
RL 434
RL 484
RL 534
RL 484 TR
RL 484 TR-E
RL 534 TR
RL 534 TR-E
TD 430 / 430 S
TD 480
TD 430 TR
TD 434
TD 484
TD 534
TD 484 TR
TD 484 TR-E
TD 534 TR
TD 534 TR-E
TDL 430 / 430 S
TDL 480
TDL 430 TR
TDL 434
TDL 484
TDL 534
TDL 484 TR
TDL 484 TR-E
TDL 534 TR
TDL 534 TR-E
TDL 430 / 430 S
TDL 480
TDL 430 TR
TDL 434
TDL 484
TDL 534
TDL 484 TR
TDL 484 TR-E
TDL 534 TR
TDL 534 TR-E
CA 430
CA 480
CA 434
CA 484
CA 534
CA 430 TR
CA 434 TR
CA 484 TR / TR-E
CA 534 TR / TR-E
CAL 430
CAL 480
CAL 434
CAL 484
CAL 534
CAL 430 TR
CAL 434 TR
CAL 484 TR / TR-E
CAL 534 TR / TR-E
T 430 / 430 S
T 480
T 434
T 484
T 484 TR
T 484 TR-E
PAN 504
PAN 504 TR
PAN 504 TR-E
PAN 504 TR-E 3S
PAN 504 TR 3S
NP 534
NP 534 TR
NP 534 TR-E
NP 534 TR 3S
NP 534 TR-E 3S
S 474 L

02T.029

Pos	Code	Q.ty	Descrizione	Description	Description	Beschreibung
251	81001134/ 0	1	ASTA COMANDO REGOL. ALTEZZA	ROD, HEIGHT ADJUSTMENT CONTROL	TIGE COMMANDE REGLAGE HAUTEUR	STANGE, HÖHEVERSTELLUNG
-	81001136/ 0	1	ASTA COMANDO REGOL. ALTEZZA	ROD, HEIGHT ADJUSTMENT CONTROL	TIGE COMMANDE REGLAGE HAUTEUR	STANGE, HÖHEVERSTELLUNG (HONDA GCV 135/ 160)
252	12000930/ 0	2	ANELLO ELASTICO	SNAP RING	ANNEAU RESSORT	SPRENGRING
253	81002801/ 0	1	ASSE RUOTE ANTERIORE	AXLE, FRONT WHEELS	AXE ROUES AVANT	ACHSE, VORDERRAD
254	12530150/ 0	2	RONDELLA ELASTICA	ELASTIC WASHER	RONDELLE ELASTIQUE	ELASTISCHE SCHEIBE
255	22122200/ 0	8	CUSCINETTO	BEARING	COUSSINET	LAGER
256	81007317/ 0	2	RUOTA SCOLPITA Ø 170	WHEEL, KNOBBLY Ø 170	ROUE SCULPTEE Ø 170	RAD M. STOLLENPR. Ø 170
257	12521350/ 0	4	RONDELLA	WASHER	RONDELLE	SCHEIBE
258	12155000/ 0	4	DADO	NUT	ECROU	MUTTER
259	22110282/ 0	2	COPRIMOZZO BIANCO	HUB CAP WHITE	COUVRE-MOYEU BLANC	RADKAPPE WEIßE
-	22110288/ 0	2	COPRIMOZZO GIALLO	HUB CAP YELLOW	COUVRE-MOYEU JAUNE	RADKAPPE GELBE
-	22110290/ 1	2	COPRIMOZZO ROSSO	HUB CAP RED	COUVRE-MOYEU ROUGE	RADKAPPE ROTE
260	81007318/ 1	2	RUOTA SCOLPITA Ø 210	WHEEL, KNOBBLY Ø 210	ROUE SCULPTEE Ø 210	RAD M. STOLLENPR. Ø 210
261	22110281/ 0	2	COPRIMOZZO BIANCO	HUB CAP WHITE	COUVRE-MOYEU BLANC	RADKAPPE WEIßE
-	22110287/ 0	2	COPRIMOZZO GIALLO	HUB CAP YELLOW	COUVRE-MOYEU JAUNE	RADKAPPE GELBE
-	22110289/ 0	2	COPRIMOZZO ROSSO	HUB CAP RED	COUVRE-MOYEU ROUGE	RADKAPPE ROTE
262	22446180/ 0	1	MOLLA	SPRING	RESSORT	FEDER
263	12604899/ 0	2	ANELLO ELASTICO	ELASTIC RING	ANNEAU ELASTIQUE	ELASTISCHER RING
264	12728519/ 0	3	VITE	SCREW	VIS	SCHRAUBE
265	22529662/ 0	1	PERNO FULCRO	FULCRUM PIN	PIVOT	BOLZEN
266	22672151/ 0	1	RONDELLA	WASHER	RONDELLE	SCHEIBE
267	81001269/ 0	1	ASTA ASSE POSTERIORE	ROD, REAR WHEELS AXLE	TIGE, AXE ROUE ARRIERES	STANGE, HINTERRADACHSE
268	81000479/ 0	1	SETTORE DI REGOLAZIONE	SECTOR, HEIGHT ADJUSTMENT	SECTEUR REGLAGE	SEKTOR, HÖHEVERSTELLUNG
269	12728520/ 0	1	VITE	SCREW	VIS	SCHRAUBE
270	22060144/ 0	1	CARTER REGOLAZIONE	DECK, ADJUSTMENT	CHÂSSIS REGLAGE	GEHÄUSE VERSTELLUNG
271	12793301/ 0	3	VITE	SCREW	VIS	SCHRAUBE
272	25038002/ 0	2	BUSSOLA	BUSH	DOUILLE	BUCHSE
273	22785109/ 0	1	SUPPORTO REGOLAZIONE ALTEZZA	SUPPORT, HEIGHT ADJUSTMENT	SUPPORT REGLAGE	HALTER, HÖHEVERSTELLUNG
274	12622640/ 0	1	SPINA	PIN	GOUPILLE	STIFT
275	22393611/ 1	1	MANIGLIA	HANDLE	POIGNÉE	GRIF
276	12729600/ 0	1	VITE	SCREW	VIS	SCHRAUBE
277	12293201/ 0	4	DADO	NUT	ECROU	MUTTER
278	22785113/ 0	1	SUPPORTO MANIGLIA	SUPPORT, HANDLE	SUPPORT POIGNÉE	HALTER, GRIF
279	22446175/ 0	1	MOLLA	SPRING	RESSORT	FEDER
280	22570200/ 0	1	PLACCHETTA POSIZIONI	PLATE, CUTTING POSITIONS	PLAQUETTE REGLAGE	PLATTE, HÖHEVERSTELLUNG
281	22672152/ 0	1	RONDELLA	WASHER	RONDELLE	SCHEIBE

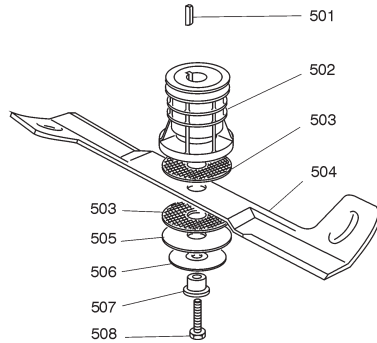
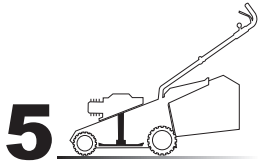


- H 350 \_\_\_\_\_
- K 350 \_\_\_\_\_
- K 390 \_\_\_\_\_
- C 350 \_\_\_\_\_
- C 390 \_\_\_\_\_
- NG 410 / 410 S \_\_\_\_\_
- NG 460 \_\_\_\_\_
- NG 414 \_\_\_\_\_
- NG 464 \_\_\_\_\_
- NG 464 TR \_\_\_\_\_
- NG 464 TR-E \_\_\_\_\_
- NG 504 \_\_\_\_\_
- NG 504 TR \_\_\_\_\_
- NG 504 TR-E \_\_\_\_\_
- R 430 / 430 S \_\_\_\_\_
- R 480 \_\_\_\_\_
- R 430 TR \_\_\_\_\_
- R 434 \_\_\_\_\_
- R 484 \_\_\_\_\_
- R 534 \_\_\_\_\_
- R 484 TR / TR-E \_\_\_\_\_
- R 534 TR / TR-E \_\_\_\_\_
- RL 430 / 430 S \_\_\_\_\_
- RL 480 \_\_\_\_\_
- RL 430 TR \_\_\_\_\_
- RL 434 \_\_\_\_\_
- RL 484 \_\_\_\_\_
- RL 534 \_\_\_\_\_
- RL 484 TR \_\_\_\_\_
- RL 484 TR-E \_\_\_\_\_
- RL 534 TR \_\_\_\_\_
- RL 534 TR-E \_\_\_\_\_
- TD 430 / 430 S \_\_\_\_\_
- TD 480 \_\_\_\_\_
- TD 430 TR \_\_\_\_\_
- TD 434 \_\_\_\_\_
- TD 484 \_\_\_\_\_
- TD 534 \_\_\_\_\_
- TD 484 TR \_\_\_\_\_
- TD 484 TR-E \_\_\_\_\_
- TD 534 TR \_\_\_\_\_
- TD 534 TR-E \_\_\_\_\_
- TDL 430 / 430 S \_\_\_\_\_
- TDL 480 \_\_\_\_\_
- TDL 430 TR \_\_\_\_\_
- TDL 434 \_\_\_\_\_
- TDL 484 \_\_\_\_\_
- TDL 534 \_\_\_\_\_
- TDL 484 TR \_\_\_\_\_
- TDL 484 TR-E \_\_\_\_\_
- TDL 534 TR \_\_\_\_\_
- TDL 534 TR-E \_\_\_\_\_
- CA 430 \_\_\_\_\_
- CA 480 \_\_\_\_\_
- CA 434 \_\_\_\_\_
- CA 484 \_\_\_\_\_
- CA 534 \_\_\_\_\_
- CA 430 TR \_\_\_\_\_
- CA 434 TR \_\_\_\_\_
- CA 484 TR / TR-E \_\_\_\_\_
- CA 534 TR / TR-E \_\_\_\_\_
- CAL 430 \_\_\_\_\_
- CAL 480 \_\_\_\_\_
- CAL 434 \_\_\_\_\_
- CAL 484 \_\_\_\_\_
- CAL 534 \_\_\_\_\_
- CAL 430 TR \_\_\_\_\_
- CAL 434 TR \_\_\_\_\_
- CAL 484 TR / TR-E \_\_\_\_\_
- CAL 534 TR / TR-E \_\_\_\_\_
- T 430 / 430 S \_\_\_\_\_
- T 480 \_\_\_\_\_
- T 434 \_\_\_\_\_
- T 484 \_\_\_\_\_
- T 484 TR \_\_\_\_\_
- T 484 TR-E \_\_\_\_\_
- PAN 504 \_\_\_\_\_
- PAN 504 TR \_\_\_\_\_
- PAN 504 TR-E \_\_\_\_\_
- PAN 504 TR-E 3S \_\_\_\_\_
- PAN 504 TR 3S \_\_\_\_\_
- NP 534 \_\_\_\_\_
- NP 534 TR \_\_\_\_\_
- NP 534 TR 3S \_\_\_\_\_
- NP 534 TR-E 3S \_\_\_\_\_
- S 474 L \_\_\_\_\_

03T.012

Pos	Code	Q.ty	Descrizione	Description	Description	Beschreibung
401	12608600/0	4	SEEGER	SEEGER	SEEGER	SEEGER
402	22570120/1	1	PIGNONE SINISTRO	PINION LEFT	PIGNON GAUCHE	RITZEL LINKES
403	22120105/1	2	CORONA	RING GEAR	COURONNE	KRANZ
404	22600091/0	2	PROTEZIONE RUOTE	PROTECTION, WHEEL	PROTECTION ROUE	SCHÜTZ, RÄDER
405	81002811/0	1	ASSE RUOTE POSTERIORE	AXLE, REAR WHEELS	AXE ROUES ARRIERE	ACHSE, HINTERRAD
406	19216035/0	2	CUSCINETTO	BEARING	COUSSINET	LAGER
407	22753000/0	2	SPINA	PIN	GOUPILLE	STIFT
408	22680009/0	1	RONDELLA	WASHER	RONDELLE	SCHIBE
409	22110230/0	1	TAPPO	CAP	BOUCHON	GUMMISTOPFEN
410	12154510/0	1	DADO	NUT	ECROU	MUTTER
411	22450063/0	1	MOLLA	SPRING	RESSORT	FEDER
412	22041957/0	1	BUSSOLA	BUSH	DOUILLE	BUCHSE
413	22033281/0	1	ASTA REGOLAZIONE	ADJUSTMENT ROD	TIGE REGLAGE	VERSTELLUNGSTANGE
414	81001145/0	1	CAVO COMANDO TRAZIONE	CABLE, REAR DRIVE	CÂBLE, COMMANDE TRACTI N	KABEL, ANTRIEB
415	22601904/0	1	PULEGGIA	PULLEY	POULIE	RIEMENSCHIBE
416	12645705/0	1	SPINA	PIN	GOUPILLE	STIFT
417	35064195/0	1	CINGHIA Z 33	BELT Z 33	COURROIE Z 33	RIEMEN Z 33
418	22570110/1	1	PIGNONE DESTRO	PINION RIGHT	PIGNON DROITE	RITZEL RECHTES
419	81003070/0	1	GRUPPO TRAZIONE	GEAR BOX	GROUPE TRACTION	ANTRIEB

www.motoculture.com



- H 350 \_\_\_\_\_
- K 350 \_\_\_\_\_
- K 390 \_\_\_\_\_
- C 350 \_\_\_\_\_
- C 390 \_\_\_\_\_
- NG 410 / 410 S \_\_\_\_\_
- NG 460 \_\_\_\_\_
- NG 414 \_\_\_\_\_
- NG 464 \_\_\_\_\_
- NG 464 TR \_\_\_\_\_
- NG 464 TR-E \_\_\_\_\_
- NG 504 \_\_\_\_\_
- NG 504 TR \_\_\_\_\_
- NG 504 TR-E \_\_\_\_\_
- R 430 / 430 S \_\_\_\_\_
- R 480 \_\_\_\_\_
- R 430 TR \_\_\_\_\_
- R 434 \_\_\_\_\_
- R 484 \_\_\_\_\_
- R 534 \_\_\_\_\_
- R 484 TR / TR-E \_\_\_\_\_
- R 534 TR / TR-E \_\_\_\_\_
- RL 430 / 430 S \_\_\_\_\_
- RL 480 \_\_\_\_\_
- RL 430 TR \_\_\_\_\_
- RL 434 \_\_\_\_\_
- RL 484 \_\_\_\_\_
- RL 534 \_\_\_\_\_
- RL 484 TR \_\_\_\_\_
- RL 484 TR-E \_\_\_\_\_
- RL 534 TR \_\_\_\_\_
- RL 534 TR-E \_\_\_\_\_
- TD 430 / 430 S \_\_\_\_\_
- TD 480 \_\_\_\_\_
- TD 430 TR \_\_\_\_\_
- TD 434 \_\_\_\_\_
- TD 484 \_\_\_\_\_
- TD 534 \_\_\_\_\_
- TD 484 TR \_\_\_\_\_
- TD 484 TR-E \_\_\_\_\_
- TD 534 TR \_\_\_\_\_
- TD 534 TR-E \_\_\_\_\_
- TDL 430 / 430 S \_\_\_\_\_
- TDL 480 \_\_\_\_\_
- TDL 430 TR \_\_\_\_\_
- TDL 434 \_\_\_\_\_
- TDL 484 \_\_\_\_\_
- TDL 534 \_\_\_\_\_
- TDL 484 TR \_\_\_\_\_
- TDL 484 TR-E \_\_\_\_\_
- TDL 534 TR \_\_\_\_\_
- TDL 534 TR-E \_\_\_\_\_
- CA 430 \_\_\_\_\_
- CA 480 \_\_\_\_\_
- CA 434 \_\_\_\_\_
- CA 484 \_\_\_\_\_
- CA 534 \_\_\_\_\_
- CA 430 TR \_\_\_\_\_
- CA 434 TR \_\_\_\_\_
- CA 484 TR / TR-E \_\_\_\_\_
- CA 534 TR / TR-E \_\_\_\_\_
- CAL 430 \_\_\_\_\_
- CAL 480 \_\_\_\_\_
- CAL 434 \_\_\_\_\_
- CAL 484 \_\_\_\_\_
- CAL 534 \_\_\_\_\_
- CAL 430 TR \_\_\_\_\_
- CAL 434 TR \_\_\_\_\_
- CAL 484 TR / TR-E \_\_\_\_\_
- CAL 534 TR / TR-E \_\_\_\_\_
- T 430 / 430 S \_\_\_\_\_
- T 480 \_\_\_\_\_
- T 434 \_\_\_\_\_
- T 484 \_\_\_\_\_
- T 484 TR \_\_\_\_\_
- T 484 TR-E \_\_\_\_\_
- PAN 504 \_\_\_\_\_
- PAN 504 TR \_\_\_\_\_
- PAN 504 TR-E \_\_\_\_\_
- PAN 504 TR-E 3S \_\_\_\_\_
- PAN 504 TR 3S \_\_\_\_\_
- NP 534 \_\_\_\_\_
- NP 534 TR \_\_\_\_\_
- NP 534 TR-E \_\_\_\_\_
- NP 534 TR 3S \_\_\_\_\_
- NP 534 TR-E 3S \_\_\_\_\_
- S 474 L \_\_\_\_\_

05D.005

05T.020

Pos	Code	Q.ty	Descrizione	Description	Description	Beschreibung	
151	12139100/ 0	1	LINGUETTA	FEATHER	CLAVETTE	KEIL	
152	22465611/ 0	1	MOZZO	HUB	MOYEU	HALTER	
153	22672110/ 1	2	RONDELLA FRIZIONE	CLUTCH WASHER	RONDELLE FRICTION	KUPPLUNGSCHEIBE	
154	81004398/ 0	1	COLTELLO ALETTATO	BLADE WINGED	LAME AILETTÉE	MESSER-FLÜGEL	51 cm
155	12508120/ 0	1	MOLLA A TAZZA	CUPPED SPRING	RESSORT	TELLER FEDER	
156	22672105/ 0	1	RONDELLA	WASHER	RONDELLE	SCHLEIBE	
157	22041940/ 0	1	BUSSOLA FRIZIONE	CLUTCH BUSH	DOUILLE FRICTION	KUPPLUNGSSCHLEIBE	
158	12736850/ 0	1	VITE	SCREW	VIS	SCHRAUBE	

www.emc-motoculture.com

1

2

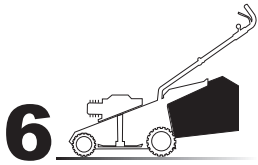
3

4

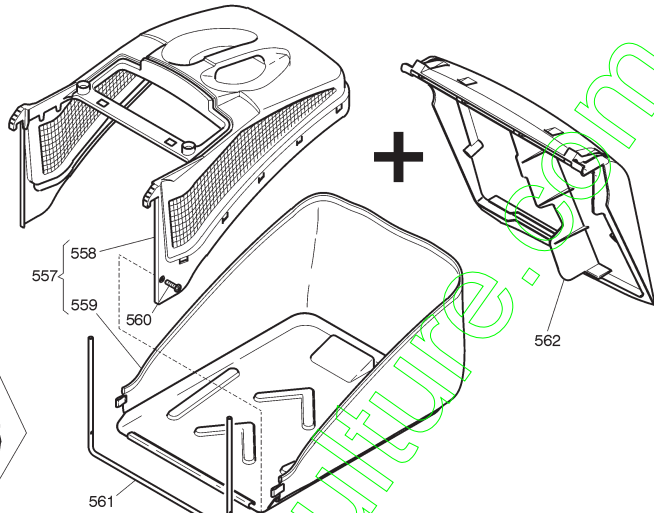
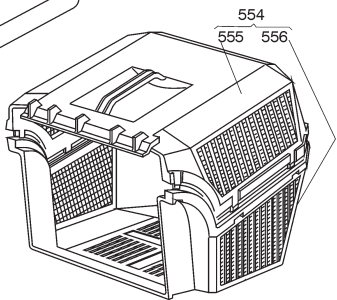
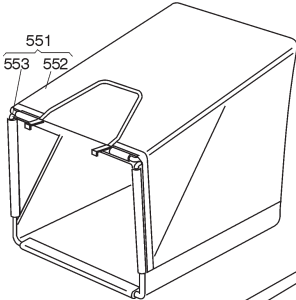
5

6





06D.004



06T.004

Pos	Code	Q.ty	Descrizione	Description	Description	Beschreibung
551	9640000/0	1	SACCO IN TELA, COMPLETO	GRASSCATCHER, CANVASS COMPLETE	SAC EN TOILE, COMPLETE	SACK, KOMPLETTE
552	81002124/ 1	1	SACCO, TELA	BOX, FABRIC	SAC, TOILE	SACK, TUCK
553	81006430/ 0	1	TELAIO SACCO	CHASSIS BOX	CHASSIS BAC	RAHMEN SACK
554	9650000/ 0	1	SACCO, COMPLETO	GRASSCATCHER, COMPLETE	SAC, COMPLETE	SACK, KOMPLETTE
555	22486065/ 0	1	SACCO, PARTE SUPERIORE	GRASS-BOX, UPPER PART	SAC, PARTIE SUPERIEURE	KORB, OBERTEIL
556	22486064/ 0	1	SACCO, PARTE INFERIORE	GRASS-BOX, LOWER PART	SAC, PARTIE INFERIEURE	KORB, UNTERTEIL
557	92140000/ 0	1	SACCO COMPLETO	GRASS-BOX, COMPLETE	BAC COMPLET	KORB, KOMPLETTE
558	22486090/ 0	1	SACCO, PARTE SUPERIORE	GRASS-BOX, UPPER PART	SAC, PARTIE SUPERIEURE	KORB, OBERTEIL
559	22608524/ 0	1	RINFORZO INFERIORE	STIFFENING LOWER	RÉNFORCEMENT INFÉRIEUR	VERSTÄRKUNG UNTERE
560	12728445/ 0	1	VITE	SCREW	VIS	SCHRAUBE
561	81002185/ 0	1	SACCO, TELA	BOX, FABRIC	SAC, TOILE	SACK, TUCK
562	22600066/ 0	1	PARASASSI	STONE GUARD	PARE PIERRES	PRALLBLECH

- H 350
- K 350
- K 390
- C 350
- C 390
- NG 410 / 410 S
- NG 460
- NG 414
- NG 464
- NG 504 TR
- NG 464 TR-E
- NG 504
- NG 504 TR
- NG 504 TR-E
- R 430 / 430 S
- R 480
- R 430 TR
- R 434
- R 484
- R 534
- R 484 TR / TR-E
- R 534 TR / TR-E
- RL 430 / 430 S
- RL 480
- RL 430 TR
- RL 434
- RL 484
- RL 534
- RL 484 TR
- RL 484 TR-E
- RL 534 TR
- RL 534 TR-E
- TD 430 / 430 S
- TD 480
- TD 430 TR
- TD 434
- TD 484
- TD 534
- TD 484 TR
- TD 484 TR-E
- TD 534 TR
- TD 534 TR-E
- TDL 430 / 430 S
- TDL 480
- TDL 430 TR
- TDL 434
- TDL 484
- TDL 534
- TDL 484 TR
- TDL 484 TR-E
- TDL 534 TR
- TDL 534 TR-E
- CA 430
- CA 480
- CA 434
- CA 484
- CA 534
- CA 430 TR
- CA 434 TR
- CA 484 TR / TR-E
- CA 534 TR / TR-E
- CAL 430
- CAL 480
- CAL 434
- CAL 484
- CAL 534
- CAL 430 TR
- CAL 434 TR
- CAL 484 TR / TR-E
- CAL 534 TR / TR-E
- T 430 / 430 S
- T 480
- T 434
- T 484
- T 484 TR
- T 484 TR-E
- PAN 504
- PAN 504 TR
- PAN 504 TR-E
- PAN 504 TR-E 3S
- PAN 504 TR 3S
- NP 534
- NP 534 TR
- NP 534 TR-E
- NP 534 TR 3S
- NP 534 TR-E 3S
- S 474 L

www.emc.it

1

2

3

4

5

6