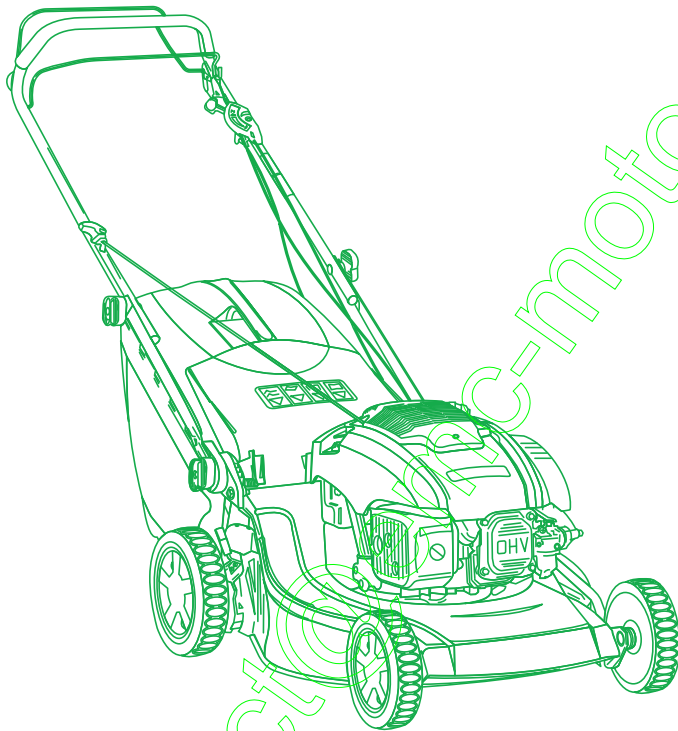


ILLUSTRATED PARTS LIST

NP 534 TR
NP 534 TR-E



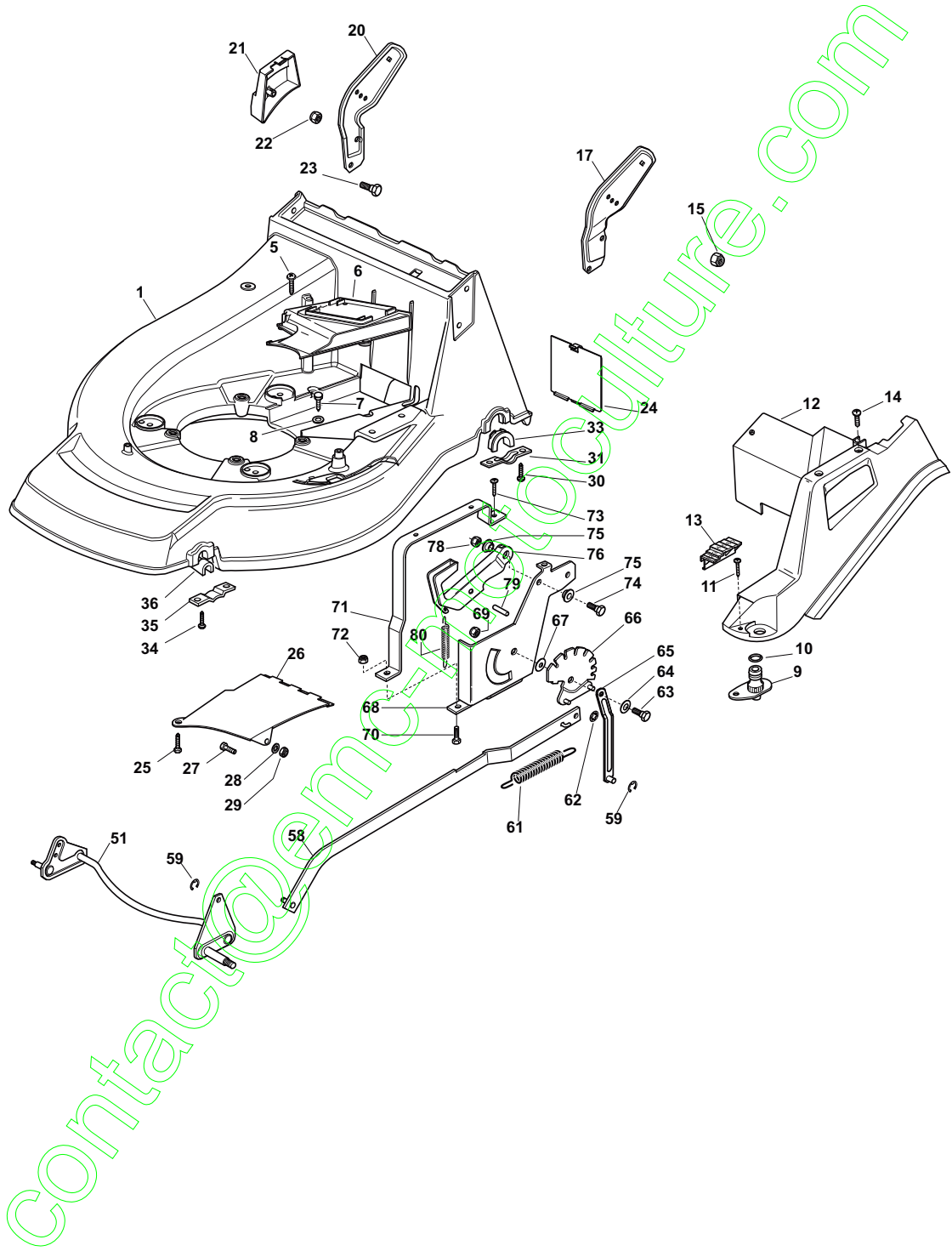
- Use GLOBAL GARDEN PRODUCT Genuine Spare Parts specified in the parts list for repair and/or replacement.
- The contents described in the parts list may change due to improvement.
- The drawings of the spare parts are only indicative and might not represent the part in question exactly.
- The indications "right" - "left" - "front" - "rear" refer to the position of the operator when using the machine.
- When placing orders of parts for repair and/or replacement, make sure that the illustrated parts list is the one applying to the machine's year of manufacture, as shown on the identification plate attached to the machine.

© Copyright 2012 Global Garden Products

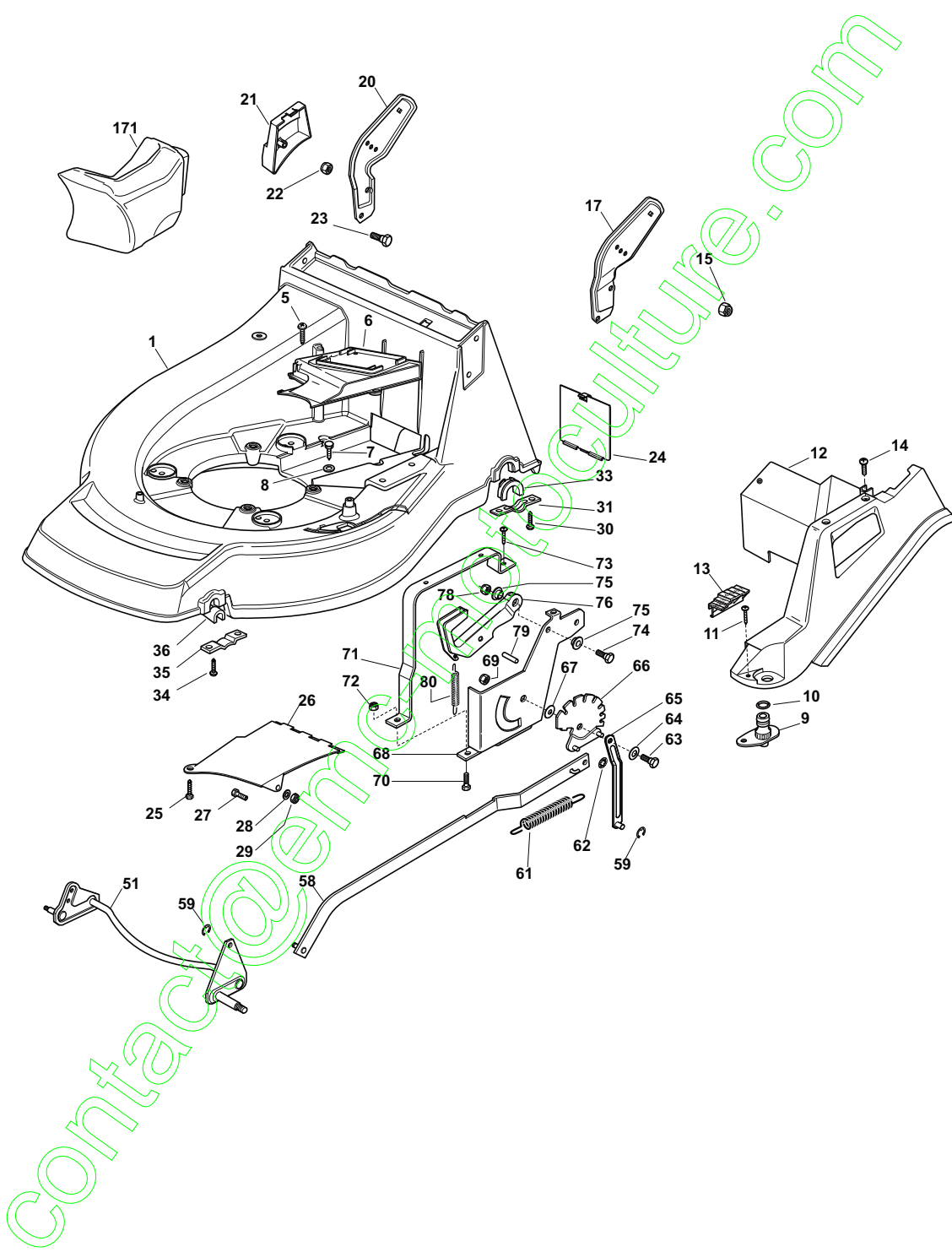
All content is subject to copyright by Global Garden Products and may not be reproduced in whole or in part by any means, electronic or otherwise, without prior written approval.

THIS INFORMATION IS NOT INTENDED FOR SALE OR RESALE, AND THIS NOTICE MUST REMAIN ON ALL COPIES.

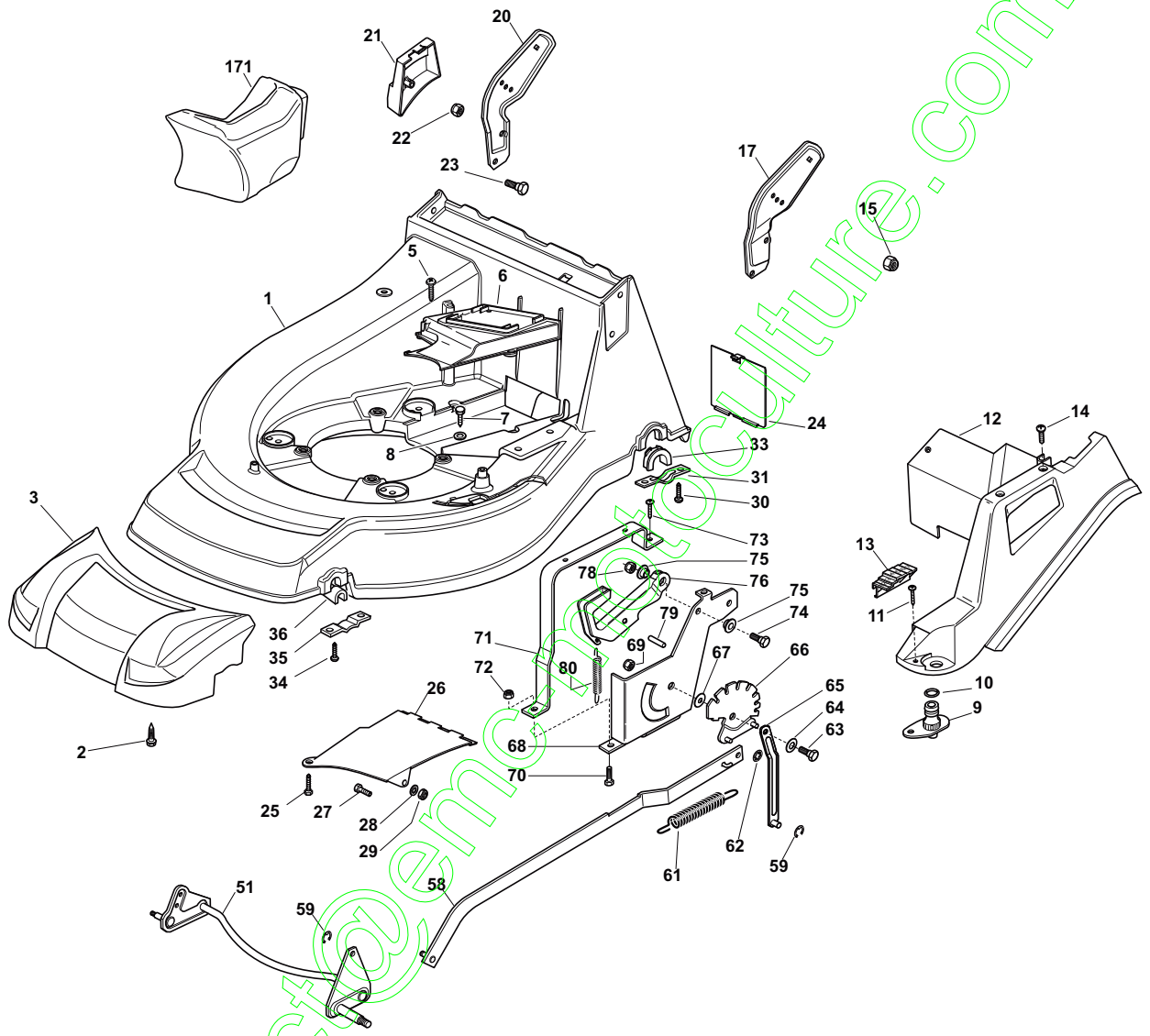

GLOBAL GARDEN PRODUCTS



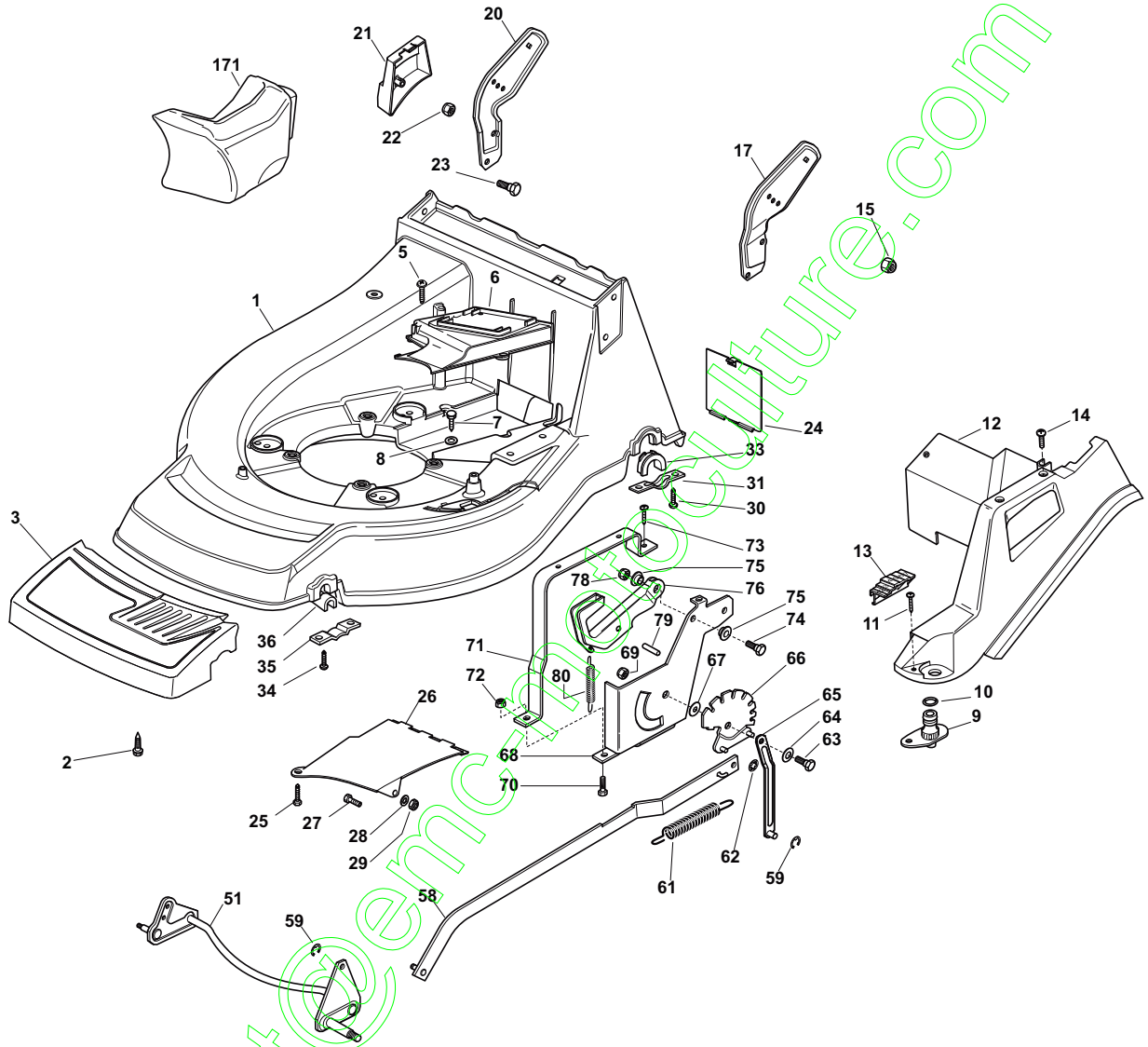
POS	PART. NO	Q.ty	DESCRIPTION	DESCRIZIONE	DESCRIPTION	BESCHREIBUNG	REMARKS
1	381003543/1	1	Deck Red	Chassis Rosso	Châssis Rouge	Gehäuse Rot	
5	12728522/0	2	Screw	Vite	Vis	Schraube	
6	22060200/1	1	Protection, Belt	Carter Cinghia	Protection	Schutz, Riemen	
7	12729600/0	1	Screw	Vite	Vis	Schraube	
8	12523040/0	2	Washer	Rosetta	Rondelle	Scheibe	
9	22034000/0	1	Washing Connection	Attacco Acqua Lavaggio	Attaque Lavage	Waschenverbindung	
10	19035000/0	1	Or Ring	Anello Or	Bague Or	Ring Or	
11	12728519/0	3	Screw	Vite	Vis	Schraube	
12	322060144/3	1	Deck, Adjustment	Carter Regolazione	Châssis Reglage	Gehäuse	
13	22570200/0	1	Plate, Cutting Positions	Placchetta Posizioni	Plaquette Reglage	Platte, Höheverstellung	
14	12728520/0	1	Screw	Vite	Vis	Schraube	
15	12155000/0	2	Nut	Dado	Ecrou	Mutter	
17	22778397/1	1	Bracket, L	Staffa Sx	Bride G	Pratze, Linke	
20	22778396/1	1	Bracket, R	Staffa Dx	Bride D	Pratze, Rechte	
21	22601001/0	1	Protection	Protezione	Protection	Schutz	
22	12155000/0	2	Nut	Dado	Ecrou	Mutter	
23	12793301/0	2	Screw	Vite	Vis	Schraube	
24	22595352/0	1	Inspection Door	Portina Chiusura	Voyant De Visite	Abdeckplatte	
25	12729600/0	1	Screw	Vite	Vis	Schraube	
26	22108205/0	1	Conveyor	Convogliatore	Convoyeur	Konveyor	
27	12789000/0	1	Screw	Vite	Vis	Schraube	
28	12523020/0	1	Washer	Rosetta	Rondelle	Scheibe	
29	12154330/0	1	Nut	Dado	Ecrou	Mutter	
30	12731350/0	4	Screw	Vite	Vis	Schraube	
31	22545147/0	2	Plate	Piastrina	Plaquette	Platte	
33	22038407/0	2	Brass	Bronzina	Douille	Buchse	
34	12731350/0	4	Screw	Vite	Vis	Schraube	
35	22545156/0	2	Plate	Piastrina	Plaquette	Platte	
36	22038400/1	2	Brass	Bronzina	Douille	Buchse	
51	381002865/0	1	Axle, Front Wheels	Asse Ruote Anteriori	Axe Roues Avant	Achse, Vorderrad	
58	381002040/0	1	Rod, Height Adjustment	Asta Comando Regol. Altezza	Tige Commande Reglage Hauteur	Stange, Höheverstellung	
59	12000930/0	2	Snap Ring	Anello Elastico	Anneau Ressort	Sprengring	
61	122446187/0	1	Spring	Molla	Ressort	Feder	
62	12604899/0	2	Crown Fastener	Fissatore A Corona	Fixateur A Couronne	Kronescheibe	
63	22529662/0	1	Fulcrum Pin	Perno Fulcro	Pivot	Bolzen	
64	22672151/0	1	Washer	Rosetta	Rondelle	Scheibe	
65	81001269/0	1	Rod, Rear Wheels Axle	Asta Asse Posteriore	Tige, Axe Roue Arrieres	Stange, Hinterradachse	
66	381000479/2	1	Sector, Height Adjustment	Settore Regolazione Altezza	Secteur Reglage Hauteur	Sektor, Höheverstellung	
67	22672152/0	1	Washer	Rosetta	Rondelle	Scheibe	
68	22785109/0	1	Support, Height Adjustment	Supporto Regolazione Altezza	Support Reglage	Halter, Höheverstellung	
69	12293201/0	1	Nut	Dado	Ecrou	Mutter	
70	12793301/0	2	Screw	Vite	Vis	Schraube	
71	22785113/0	1	Support, Handle	Supporto Maniglia	Support Poignée	Halter, Griff	
72	12293201/0	2	Nut	Dado	Ecrou	Mutter	
73	12729600/0	1	Screw	Vite	Vis	Schraube	
74	12793301/0	1	Screw	Vite	Vis	Schraube	
75	25038002/1	2	Bush	Bussola	Douille	Buchse	
76	322393611/2	1	Handle	Maniglia	Poignée	Griff	
78	12293201/0	1	Nut	Dado	Ecrou	Mutter	
79	12622640/0	1	Pin	Spina	Goupille	Stift	
80	22446175/0	1	Spring	Molla	Ressort	Feder	



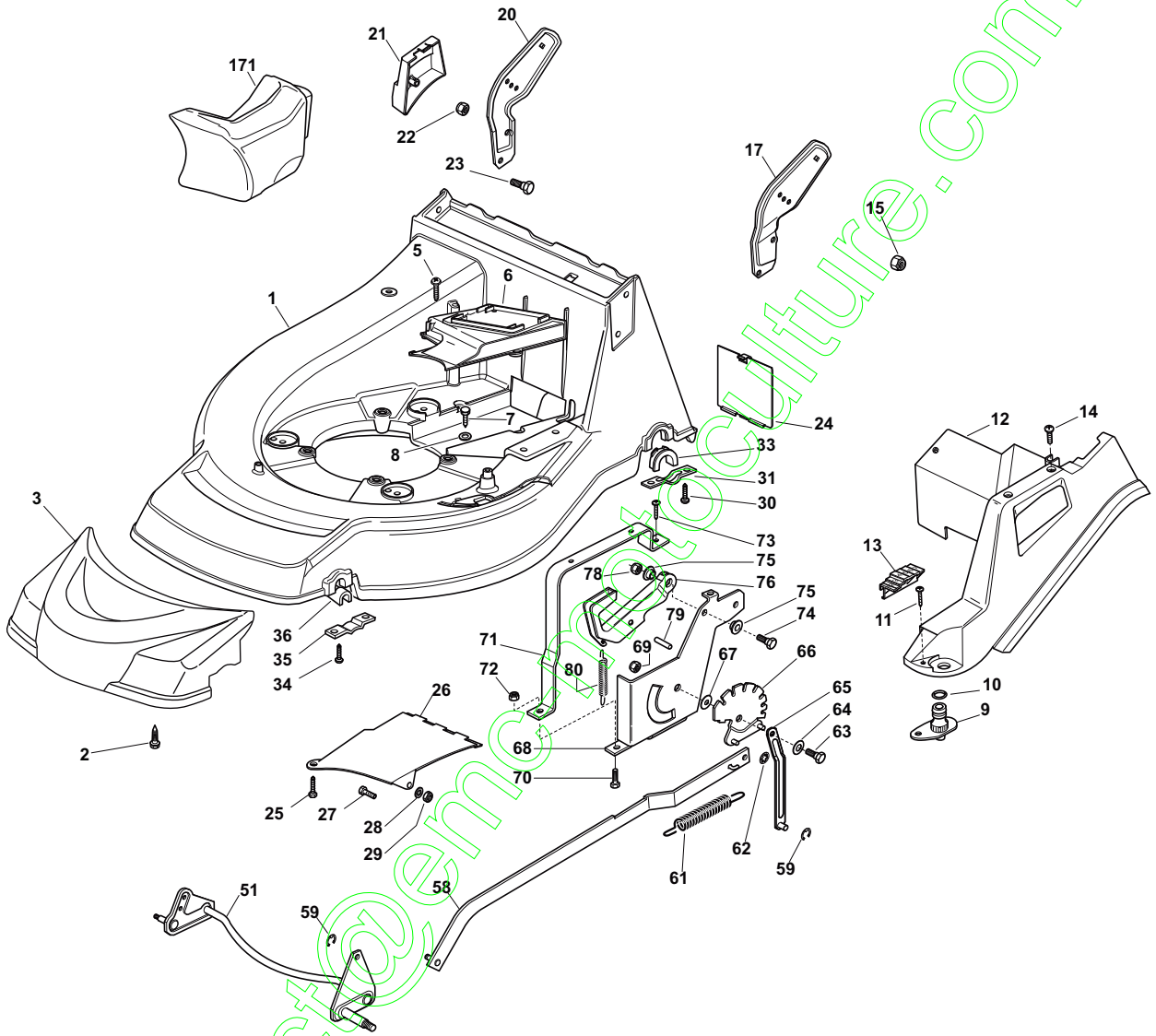
POS	PART. NO	Q.ty	DESCRIPTION	DESCRIZIONE	DESCRIPTION	BESCHREIBUNG	REMARKS
1	381003543/1	1	Deck Red	Chassis Rosso	Châssis Rouge	Gehäuse Rot	
5	12728522/0	2	Screw	Vite	Vis	Schraube	
6	22060200/1	1	Protection, Belt	Carter Cinghia	Protection	Schutz, Riemen	
7	12729600/0	1	Screw	Vite	Vis	Schraube	
8	12523040/0	2	Washer	Rosetta	Rondelle	Scheibe	
9	22034000/0	1	Washing Connection	Attacco Acqua Lavaggio	Attaque Lavage	Waschenverbindung	
10	19035000/0	1	Or Ring	Anello Or	Bague Or	Ring Or	
11	12728519/0	3	Screw	Vite	Vis	Schraube	
12	322060144/3	1	Deck, Adjustment	Carter Regolazione	Châssis Reglage	Gehäuse	
13	22570200/0	1	Plate, Cutting Positions	Placchetta Posizioni	Plaquette Reglage	Platte, Höheverstellung	
14	12728520/0	1	Screw	Vite	Vis	Schraube	
15	12155000/0	2	Nut	Dado	Ecrou	Mutter	
17	22778397/1	1	Bracket, L	Staffa Sx	Bride G	Pratze, Linke	
20	22778396/1	1	Bracket, R	Staffa Dx	Bride D	Pratze, Rechte	
21	22601001/0	1	Protection	Protezione	Protection	Schutz	
22	12155000/0	2	Nut	Dado	Ecrou	Mutter	
23	12793301/0	2	Screw	Vite	Vis	Schraube	
24	22595352/0	1	Inspection Door	Portina Chiusura	Voyant De Visite	Abdeckplatte	
25	12729600/0	1	Screw	Vite	Vis	Schraube	
26	22108205/0	1	Conveyor	Convogliatore	Convoyeur	Konveyor	
27	12789000/0	1	Screw	Vite	Vis	Schraube	
28	12523020/0	1	Washer	Rosetta	Rondelle	Scheibe	
29	12154330/0	1	Nut	Dado	Ecrou	Mutter	
30	12731350/0	4	Screw	Vite	Vis	Schraube	
31	22545147/0	2	Plate	Piastrina	Plaquette	Platte	
33	22038407/0	2	Brass	Bronzina	Douille	Buchse	
34	12731350/0	4	Screw	Vite	Vis	Schraube	
35	22545156/0	2	Plate	Piastrina	Plaquette	Platte	
36	22038400/1	2	Brass	Bronzina	Douille	Buchse	
51	381002865/1	1	Axle, Front Wheels	Asse Ruote Anteriori	Axe Roues Avant	Achse, Vorderrad	
58	381002040/1	1	Rod, Height Adjustment	Asta Comando Regol. Altezza	Tige Commande Reglage Hauteur	Stange, Höheverstellung	
59	12000930/0	2	Snap Ring	Anello Elastico	Anneau Ressort	Sprengring	
61	122446187/0	1	Spring	Molla	Ressort	Feder	
62	12604899/0	2	Crown Fastener	Fissatore A Corona	Fixateur A Couronne	Kronescheibe	
63	22529662/0	1	Fulcrum Pin	Perno Fulcro	Pivot	Bolzen	
64	22672151/0	1	Washer	Rosetta	Rondelle	Scheibe	
65	81001269/0	1	Rod, Rear Wheels Axle	Asta Asse Posteriore	Tige, Axe Roue Arrieres	Stange, Hinterradachse	
66	381000479/2	1	Sector, Height Adjustment	Settore Regolazione Altezza	Secteur Reglage Hauteur	Sektor, Höheverstellung	
67	22672152/0	1	Washer	Rosetta	Rondelle	Scheibe	
68	22785109/0	1	Support, Height Adjustment	Supporto Regolazione Altezza	Support Reglage	Halter, Höheverstellung	
69	12293201/0	1	Nut	Dado	Ecrou	Mutter	
70	12793301/0	2	Screw	Vite	Vis	Schraube	
71	22785113/0	1	Support, Handle	Supporto Maniglia	Support Poignée	Halter, Griff	
72	12293201/0	2	Nut	Dado	Ecrou	Mutter	
73	12729600/0	1	Screw	Vite	Vis	Schraube	
74	12793301/0	1	Screw	Vite	Vis	Schraube	
75	25038002/1	2	Bush	Bussola	Douille	Buchse	
76	322393611/2	1	Handle	Maniglia	Poignée	Griff	
78	12293201/0	1	Nut	Dado	Ecrou	Mutter	
79	12622640/0	1	Pin	Spina	Goupille	Stift	
80	22446175/0	1	Spring	Molla	Ressort	Feder	
171	22140224/0	1	Cap	Tappo	Bouchon	Gummistopfen	



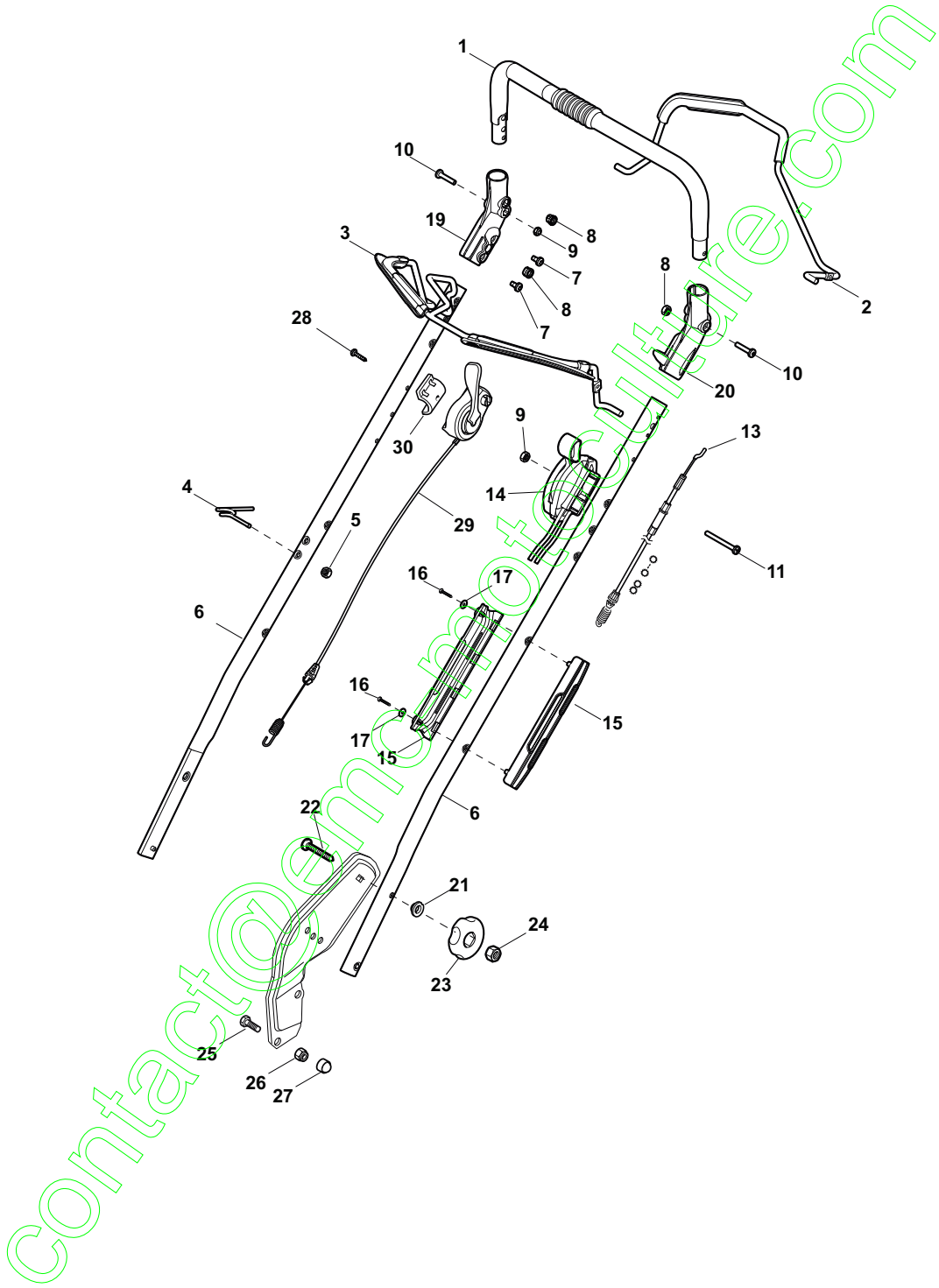
POS	PART. NO	Q.ty	DESCRIPTION	DESCRIZIONE	DESCRIPTION	BESCHREIBUNG	REMARKS
1	381003543/1	1	Deck Red	Chassis Rosso	Châssis Rouge	Gehäuse Rot	
2	12735402/0	4	Screw	Vite	Vis	Schraube	
3	322226112/1	1	Mask, Grey	Mascherina, Grigio	Mesque, Gris	Maske, Grau	
5	12728522/0	2	Screw	Vite	Vis	Schraube	
6	22060200/1	1	Protection, Belt	Carter Cinghia	Protection	Schutz, Riemen	
7	12729600/0	1	Screw	Vite	Vis	Schraube	
8	12523040/0	2	Washer	Rosetta	Rondelle	Scheibe	
9	22034000/0	1	Washing Connection	Attacco Lavaggio	Attaque Lavage	Waschenverbindung	
10	19035000/0	1	Or Ring	Anello Or	Bague Or	Ring Or	
11	12728519/0	3	Screw	Vite	Vis	Schraube	
12	322060144/3	1	Deck, Adjustment	Carter Regolazione	Châssis Reglage	Gehäuse	
13	22570200/0	1	Plate, Cutting Positions	Placchetta Posizioni	Plaquette Reglage	Platte, Höheverstellung	
14	12728520/0	1	Screw	Vite	Vis	Schraube	
15	12155000/0	2	Nut	Dado	Ecrou	Mutter	
17	22778397/1	1	Bracket, L	Staffa Sx	Bride G	Pratze, Linke	
20	22778396/1	1	Bracket, R	Staffa Dx	Bride D	Pratze, Rechte	
21	22601001/0	1	Protection	Protezione	Protection	Schutz	
22	12155000/0	2	Nut	Dado	Ecrou	Mutter	
23	12793301/0	2	Screw	Vite	Vis	Schraube	
24	22595352/0	1	Inspection Door	Portina Chiusura	Voyant De Visite	Abdeckplatte	
25	12729600/0	1	Screw	Vite	Vis	Schraube	
26	22108205/0	1	Conveyor	Convogliatore	Convoyeur	Konveyor	
27	12789000/0	1	Screw	Vite	Vis	Schraube	
28	12523020/0	1	Washer	Rosetta	Rondelle	Scheibe	
29	12154330/0	1	Nut	Dado	Ecrou	Mutter	
30	12731350/0	4	Screw	Vite	Vis	Schraube	
31	22545147/0	2	Plate	Piastrina	Plaquette	Platte	
33	22038407/0	2	Brass	Bronzina	Douille	Buchse	
34	12731350/0	4	Screw	Vite	Vis	Schraube	
35	22545156/0	2	Plate	Piastrina	Plaquette	Platte	
36	22038400/1	2	Brass	Bronzina	Douille	Buchse	
51	381002865/0	1	Axle, Front Wheels	Asse Ruote Anteriori	Axe Roues Avant	Achse, Vorderrad	
58	381002040/0	1	Rod, Height Adjustment	Asta Comando Regol. Altezza	Tige Commande Reglage Hauteur	Stange, Höheverstellung	
59	12000930/0	2	Snap Ring	Anello Elastico	Anneau Ressort	Sprengring	
61	122446187/0	1	Spring	Molla	Ressort	Feder	
62	12604899/0	2	Crown Fastener	Fissatore A Corona	Fixateur A Couronne	Kronescheibe	
63	22529662/0	1	Fulcrum Pin	Perno Fulcro	Pivot	Bolzen	
64	22672151/0	1	Washer	Rosetta	Rondelle	Scheibe	
65	81001269/0	1	Rod, Rear Wheels Axle	Asta Asse Posteriore	Tige, Axe Roue Arrieres	Stange, Hinterradachse	
66	381000479/2	1	Sector, Height Adjustment	Settore Regolazione Altezza	Secteur Reglage Hauteur	Sektor, Höheverstellung	
67	22672152/0	1	Washer	Rosetta	Rondelle	Scheibe	
68	22785109/0	1	Support, Height Adjustment	Supporto Regolazione Altezza	Support Reglage	Halter, Höheverstellung	
69	12293201/0	1	Nut	Dado	Ecrou	Mutter	
70	12793301/0	2	Screw	Vite	Vis	Schraube	
71	22785113/0	1	Support, Handle	Supporto Maniglia	Support Poignée	Halte, Griff	
72	12293201/0	2	Nut	Dado	Ecrou	Mutter	
73	12729600/0	1	Screw	Vite	Vis	Schraube	
74	12793301/0	1	Screw	Vite	Vis	Schraube	
75	25038002/1	2	Bush	Bussola	Douille	Buchse	
76	322393611/2	1	Handle	Maniglia	Poignée	Griff	
78	12293201/0	1	Nut	Dado	Ecrou	Mutter	
79	12622640/0	1	Pin	Spina	Goupille	Stift	
80	22446175/0	1	Spring	Molla	Ressort	Feder	
171	22140224/0	1	Cap	Tappo	Bouchon	Gummistopfen	



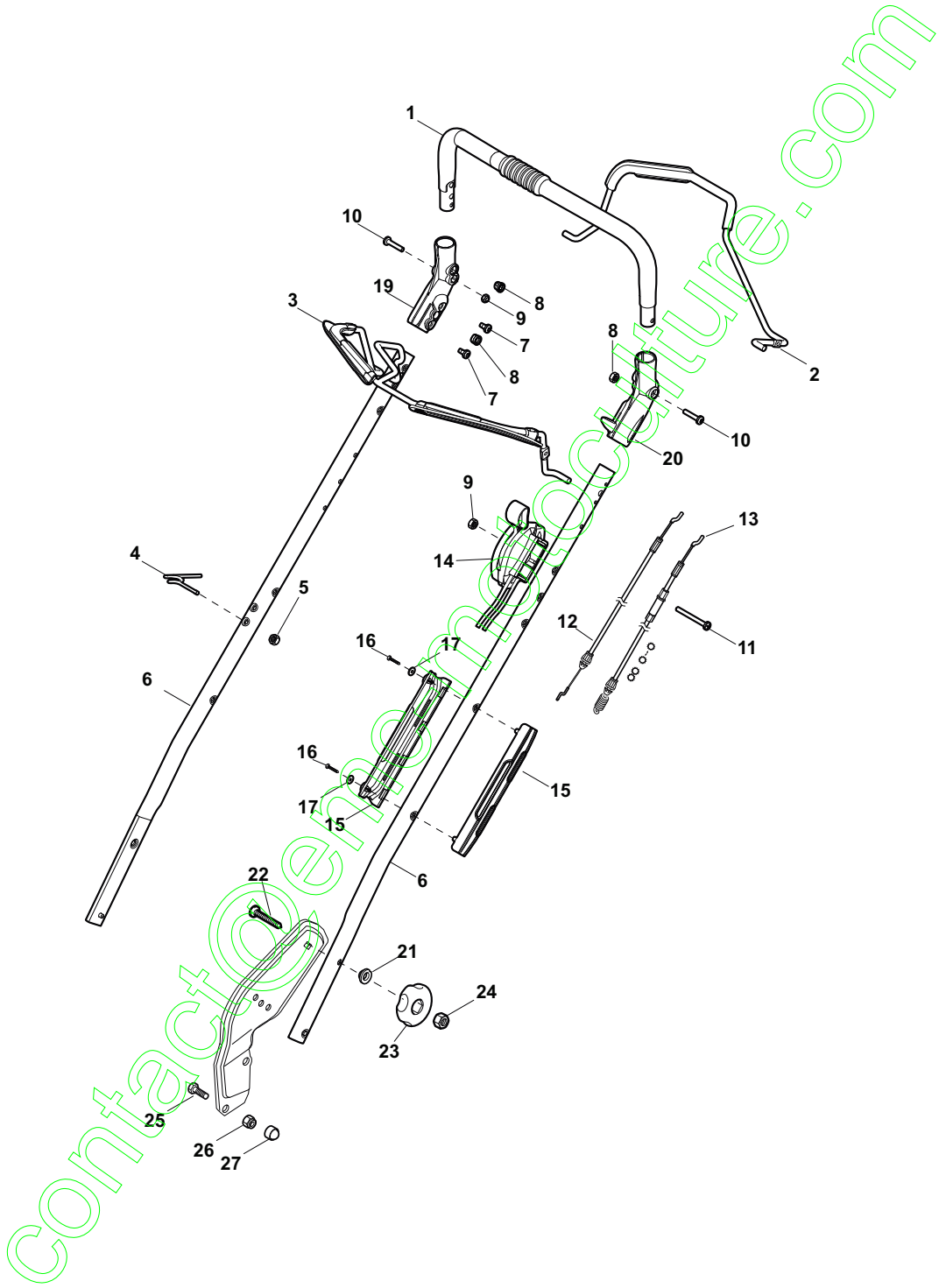
POS	PART. NO	Q.ty	DESCRIPTION	DESCRIZIONE	DESCRIPTION	BESCHREIBUNG	REMARKS
1	381003543/1	1	Deck Red	Chassis Rosso	Châssis Rouge	Gehäuse Rot	
2	12735402/0	4	Screw	Vite	Vis	Schraube	
3	22226050/0	1	Mask, Black	Mascherina, Nero	Mesque, Noir	Maske, Schwarz	
5	12728522/0	2	Screw	Vite	Vis	Schraube	
6	22060200/1	1	Protection, Belt	Carter Cinghia	Protection	Schutz, Riemen	
7	12729600/0	1	Screw	Vite	Vis	Schraube	
8	12523040/0	2	Washer	Rosetta	Rondelle	Scheibe	
9	22034000/0	1	Washing Connection	Attacco Lavaggio	Attaque Lavage	Waschenverbindung	
10	19035000/0	1	Or Ring	Anello Or	Bague Or	Ring Or	
11	12728519/0	3	Screw	Vite	Vis	Schraube	
12	322060144/3	1	Deck, Adjustment	Carter Regolazione	Châssis Reglage	Gehäuse	
13	22570200/0	1	Plate, Cutting Positions	Placchetta Posizioni	Plaquette Reglage	Platte, Höheverstellung	
14	12728520/0	1	Screw	Vite	Vis	Schraube	
15	12155000/0	2	Nut	Dado	Ecrou	Mutter	
17	22778397/1	1	Bracket, L	Staffa Sx	Bride G	Pratze, Linke	
20	22778396/1	1	Bracket, R	Staffa Dx	Bride D	Pratze, Rechte	
21	22601001/0	1	Protection	Protezione	Protection	Schutz	
22	12155000/0	2	Nut	Dado	Ecrou	Mutter	
23	12793301/0	2	Screw	Vite	Vis	Schraube	
24	22595352/0	1	Inspection Door	Portina Chiusura	Voyant De Visite	Abdeckplatte	
25	12729600/0	1	Screw	Vite	Vis	Schraube	
26	22108205/0	1	Conveyor	Convogliatore	Convoyeur	Konveyor	
27	12789000/0	1	Screw	Vite	Vis	Schraube	
28	12523020/0	1	Washer	Rosetta	Rondelle	Scheibe	
29	12154330/0	1	Nut	Dado	Ecrou	Mutter	
30	12731350/0	4	Screw	Vite	Vis	Schraube	
31	22545147/0	2	Plate	Piastrina	Plaquette	Platte	
33	22038407/0	2	Brass	Bronzina	Douille	Buchse	
34	12731350/0	4	Screw	Vite	Vis	Schraube	
35	22545156/0	2	Plate	Piastrina	Plaquette	Platte	
36	22038400/1	2	Brass	Bronzina	Douille	Buchse	
51	381002865/0	1	Axle, Front Wheels	Asse Ruote Anteriori	Axe Roues Avant	Achse, Vorderrad	
58	381002040/0	1	Rod, Height Adjustment	Asta Comando Regol. Altezza	Tige Commande Reglage Hauteur	Stange, Höheverstellung	
59	12000930/0	2	Snap Ring	Anello Elastico	Anneau Ressort	Sprengring	
61	122446187/0	1	Spring	Molla	Ressort	Feder	
62	12604899/0	2	Crown Fastener	Fissatore A Corona	Fixateur A Couronne	Kronescheibe	
63	22529662/0	1	Fulcrum Pin	Perno Fulcro	Pivot	Bolzen	
64	22672151/0	1	Washer	Rosetta	Rondelle	Scheibe	
65	81001269/0	1	Rod, Rear Wheels Axle	Asta Asse Posteriore	Tige, Axe Roue Arrieres	Stange, Hinterradachse	
66	381000479/2	1	Sector, Height Adjustment	Settore Regolazione Altezza	Secteur Reglage Hauteur	Sektor, Höheverstellung	
67	22672152/0	1	Washer	Rosetta	Rondelle	Scheibe	
68	22785109/0	1	Support, Height Adjustment	Supporto Regolazione Altezza	Support Reglage	Halter, Höheverstellung	
69	12293201/0	1	Nut	Dado	Ecrou	Mutter	
70	12793301/0	2	Screw	Vite	Vis	Schraube	
71	22785113/0	1	Support, Handle	Supporto Maniglia	Support Poignée	Halter, Griff	
72	12293201/0	2	Nut	Dado	Ecrou	Mutter	
73	12729600/0	1	Screw	Vite	Vis	Schraube	
74	12793301/0	1	Screw	Vite	Vis	Schraube	
75	25038002/1	2	Bush	Bussola	Douille	Buchse	
76	322393611/2	1	Handle	Maniglia	Poignée	Griff	
78	12293201/0	1	Nut	Dado	Ecrou	Mutter	
79	12622640/0	1	Pin	Spina	Goupille	Stift	
80	22446175/0	1	Spring	Molla	Ressort	Feder	
171	22140224/0	1	Cap	Tappo	Bouchon	Gummistopfen	



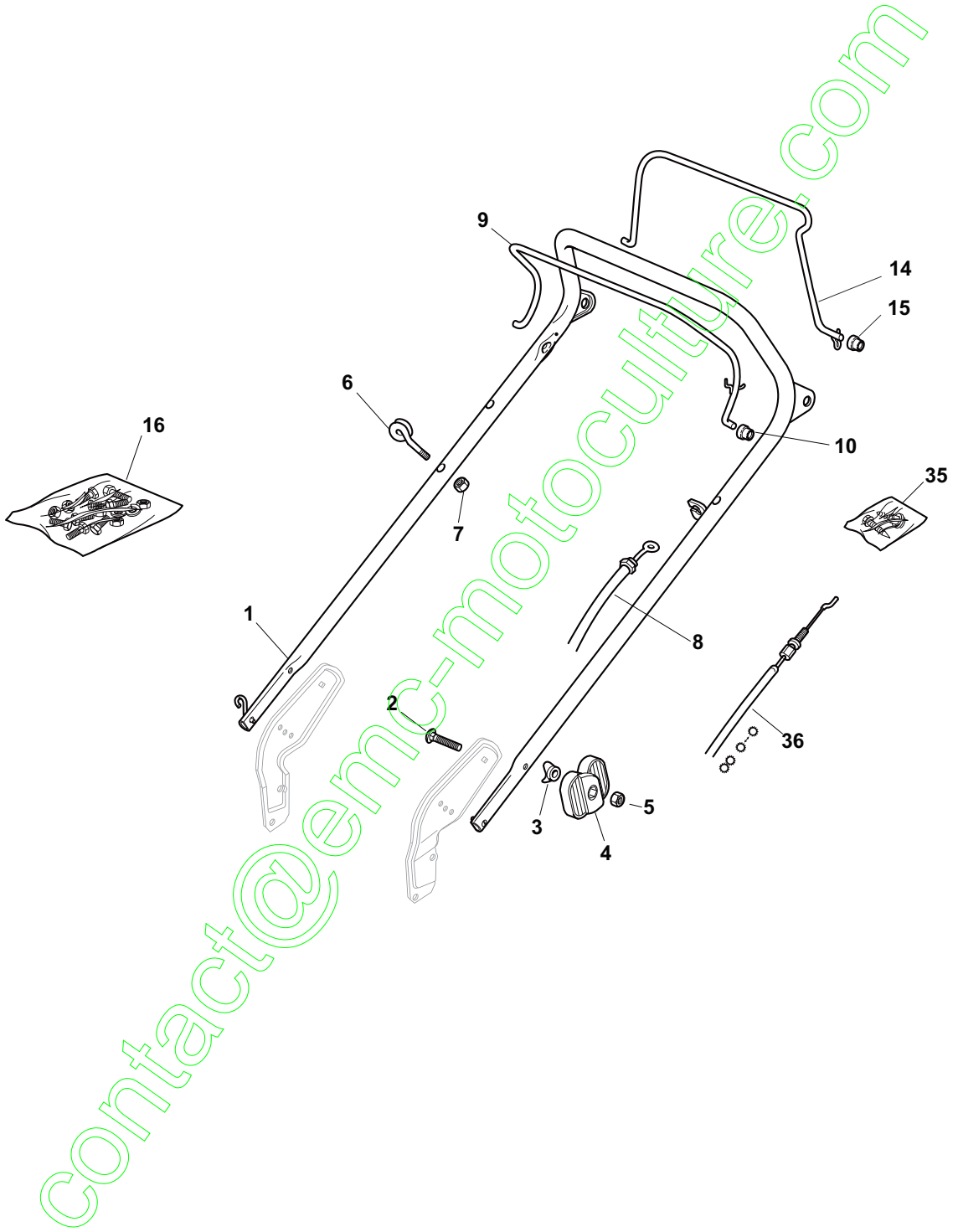
POS	PART. NO	Q.ty	DESCRIPTION	DESCRIZIONE	DESCRIPTION	BESCHREIBUNG	REMARKS
1	381003543/1	1	Deck Red	Chassis Rosso	Châssis Rouge	Gehäuse Rot	
2	12735402/0	4	Screw	Vite	Vis	Schraube	
3	322226124/0	1	Mask, Black	Mascherina, Nero	Mesque, Noir	Maske, Schwarz	
5	12728522/0	2	Screw	Vite	Vis	Schraube	
6	22060200/1	1	Protection, Belt	Carter Cinghia	Protection	Schutz, Riemen	
7	12729600/0	1	Screw	Vite	Vis	Schraube	
8	12523040/0	2	Washer	Rosetta	Rondelle	Scheibe	
9	22034000/0	1	Washing Connection	Attacco Lavaggio	Attaque Lavage	Waschenverbindung	
10	19035000/0	1	Or Ring	Anello Or	Bague Or	Ring Or	
11	12728519/0	3	Screw	Vite	Vis	Schraube	
12	322060144/3	1	Deck, Adjustment	Carter Regolazione	Châssis Reglage	Gehäuse	
13	22570200/0	1	Plate, Cutting Positions	Placchetta Posizioni	Plaquette Reglage	Platte, Höheverstellung	
14	12728520/0	1	Screw	Vite	Vis	Schraube	
15	12155000/0	2	Nut	Dado	Ecrou	Mutter	
17	22778397/1	1	Bracket, L	Staffa Sx	Bride G	Pratze, Linke	
20	22778396/1	1	Bracket, R	Staffa Dx	Bride D	Pratze, Rechte	
21	22601001/0	1	Protection	Protezione	Protection	Schutz	
22	12155000/0	2	Nut	Dado	Ecrou	Mutter	
23	12793301/0	2	Screw	Vite	Vis	Schraube	
24	22595352/0	1	Inspection Door	Portina Chiusura	Voyant De Visite	Abdeckplatte	
25	12729600/0	1	Screw	Vite	Vis	Schraube	
26	22108205/0	1	Conveyor	Convogliatore	Convoyeur	Konveyor	
27	12789000/0	1	Screw	Vite	Vis	Schraube	
28	12523020/0	1	Washer	Rosetta	Rondelle	Scheibe	
29	12154330/0	1	Nut	Dado	Ecrou	Mutter	
30	12731350/0	4	Screw	Vite	Vis	Schraube	
31	22545147/0	2	Plate	Piastrina	Plaquette	Platte	
33	22038407/0	2	Brass	Bronzina	Douille	Buchse	
34	12731350/0	4	Screw	Vite	Vis	Schraube	
35	22545156/0	2	Plate	Piastrina	Plaquette	Platte	
36	22038400/1	2	Brass	Bronzina	Douille	Buchse	
51	381002865/0	1	Axle, Front Wheels	Asse Ruote Anteriori	Axe Roues Avant	Achse, Vorderrad	
58	381002040/0	1	Rod, Height Adjustment	Asta Comando Regol. Altezza	Tige Commande Reglage Hauteur	Stange, Höheverstellung	
59	12000930/0	2	Snap Ring	Anello Elastico	Anneau Ressort	Sprengring	
61	122446187/0	1	Spring	Molla	Ressort	Feder	
62	12604899/0	2	Crown Fastener	Fissatore A Corona	Fixateur A Couronne	Kronescheibe	
63	22529662/0	1	Fulcrum Pin	Perno Fulcro	Pivot	Bolzen	
64	22672151/0	1	Washer	Rosetta	Rondelle	Scheibe	
65	81001269/0	1	Rod, Rear Wheels Axle	Asta Asse Posteriore	Tige, Axe Roue Arrieres	Stange, Hinterradachse	
66	381000479/2	1	Sector, Height Adjustment	Settore Regolazione Altezza	Secteur Reglage Hauteur	Sektor, Höheverstellung	
67	22672152/0	1	Washer	Rosetta	Rondelle	Scheibe	
68	22785109/0	1	Support, Height Adjustment	Supporto Regolazione Altezza	Support Reglage	Halter, Höheverstellung	
69	12293201/0	1	Nut	Dado	Ecrou	Mutter	
70	12793301/0	2	Screw	Vite	Vis	Schraube	
71	22785113/0	1	Support, Handle	Supporto Maniglia	Support Poignée	Halte, Griff	
72	12293201/0	2	Nut	Dado	Ecrou	Mutter	
73	12729600/0	1	Screw	Vite	Vis	Schraube	
74	12793301/0	1	Screw	Vite	Vis	Schraube	
75	25038002/1	2	Bush	Bussola	Douille	Buchse	
76	322393611/2	1	Handle	Maniglia	Poignée	Griff	
78	12293201/0	1	Nut	Dado	Ecrou	Mutter	
79	12622640/0	1	Pin	Spina	Goupille	Stift	
80	22446175/0	1	Spring	Molla	Ressort	Feder	
171	22140224/0	1	Cap	Tappo	Bouchon	Gummistopfen	



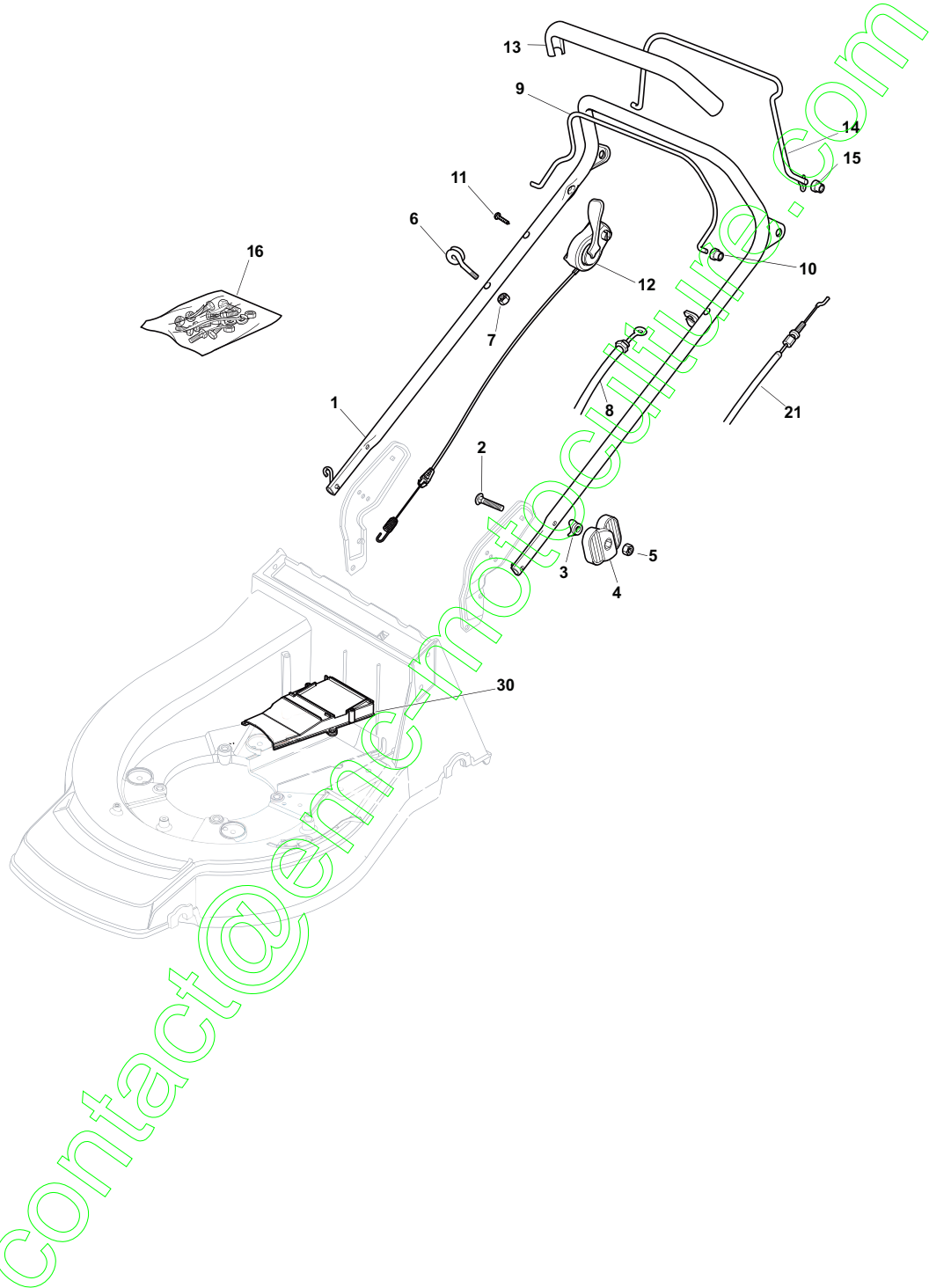
POS	PART. NO	Q.ty	DESCRIPTION	DESCRIZIONE	DESCRIPTION	BESCHREIBUNG	REMARKS
1	381006670/2	1	Handgrip	Impugnatura Manico	Poignée	Handgriff	
2	381003349/0	1	Lever, Driving	Leva Trazione	Levier Traction	Hebel, Antrieb	
3	381003346/0	1	Lever, Engine Brake	Leva Freno Motore	Levier Frein Moteur	Hebel, Motorbremse	
4	22430309/0	1	Guide Spring	Molla Guida	Ressort De Guide	Feder Führer	
5	12154330/0	1	Nut	Dado	Ecrou	Mutter	
6	381007046/0	2	Handle Black, R	Manico Nero, Parte Dx	Mancheron Noire, D	Holm Schwarz, Rechte	
6	381007047/0	2	Handle Grey, R	Manico Grigio, Parte Dx	Mancheron Gris, D	Holm Grau, Rechte	
7	112735662/1	4	Screw	Vite	Vis	Schraube	
8	322041967/1	3	Bush	Bussola	Douille	Buchse	
9	12154510/0	3	Nut	Dado	Ecrou	Mutter	
10	112728721/0	2	Screw	Vite	Vis	Schraube	
11	12727786/0	2	Screw	Vite	Vis	Schraube	
13	381030078/1	1	Cable, Rear Drive	Cavo Comando Trazione	Câble, Commande Traction	Kabel, Antrieb	
14	181007145/0	1	Throttle Cable	Cavo Acceleratore	Cable, Accélérateur	Gashebel Kabel	B&S-GGP
14	181007199/0	1	Throttle Cable	Cavo Acceleratore	Cable, Accélérateur	Gashebel Kabel	Honda
15	322806644/0	1	Protection	Protezione	Protection	Schutz	
16	12727812/0	2	Screw	Vite	Vis	Schraube	
17	112523000/1	2	Washer	Rosetta	Rondelle	Scheibe	
19	322488301/0	1	Handle Black, L	Manico Nero, Parte Sx	Mancheron Noire, G	Holm Schwarz, Linke	
20	322488303/0	1	Handle Grey, L	Manico Grigio, Parte Sx	Mancheron Gris, G	Holm Grau, Linke	
21	22671651/0	2	Support	Supporto	Support	Halter	
22	112819105/0	2	Support	Supporto	Support	Halter	
23	322399804/1	2	Knob	Manopolina	Poignée	Griff	
24	12293200/0	2	Nut	Dado	Ecrou	Mutter	
25	12793102/0	2	Screw	Vite	Vis	Schraube	
26	12155000/0	2	Nut	Dado	Ecrou	Mutter	
27	18203854/0	2	Protection	Cappuccio	Capuchon	Stecker	
28	12727786/0	1	Nut	Dado	Ecrou	Mutter	
29	381030081/0	1	Cable, Mechanical Clutch	Cavo Comando Frizione Meccanica	Câble, Commande Embrayage Mecanique	Kabel, Mechanische Kupplung	
30	322000020/0	1	Support	Supporto	Support	Halter	



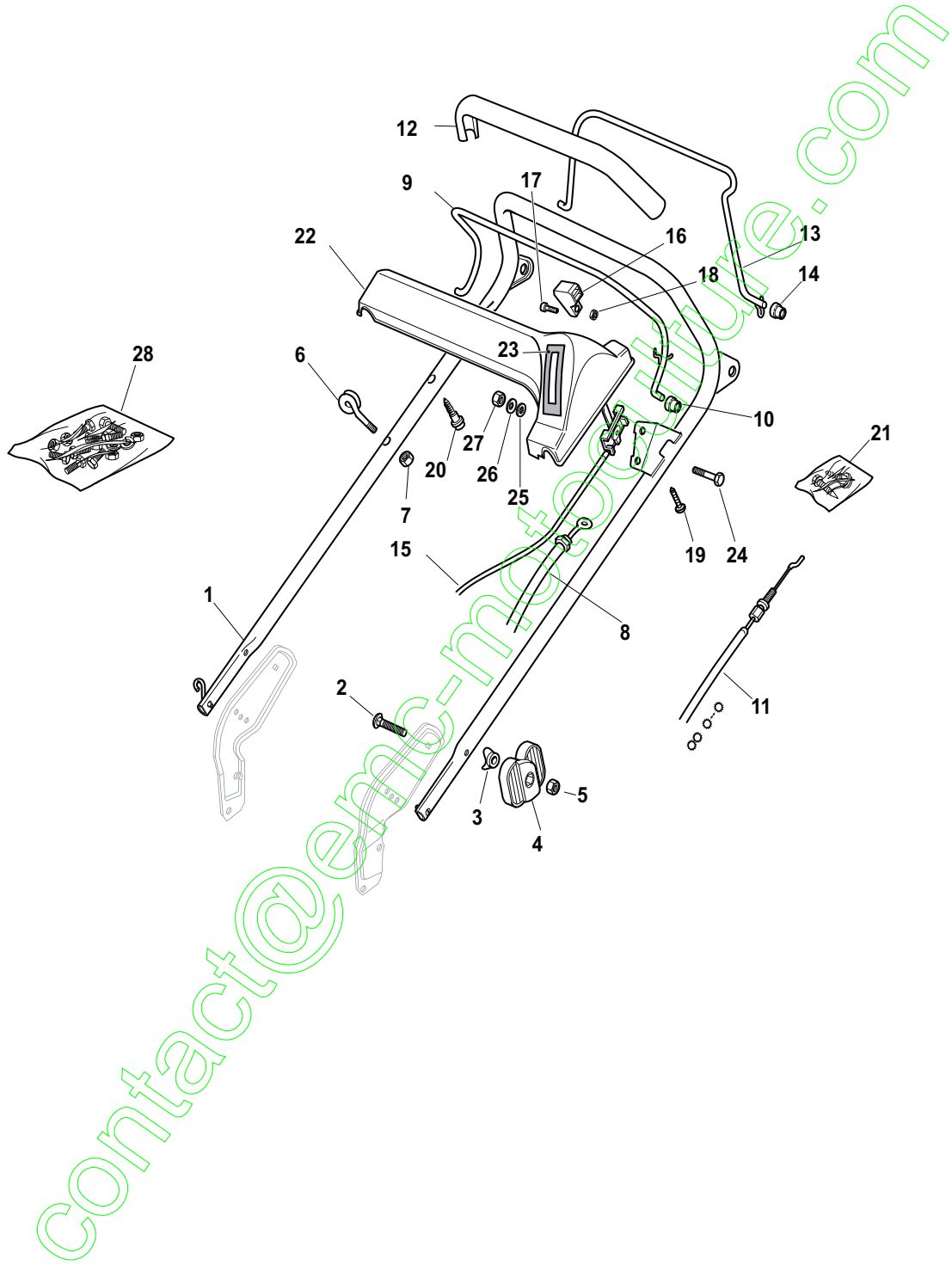
POS	PART. NO	Q.ty	DESCRIPTION	DESCRIZIONE	DESCRIPTION	BESCHREIBUNG	REMARKS
1	381006670/2	1	Handgrip	Impugnatura Manico	Poignée	Handgriff	
2	381003349/0	1	Lever, Driving	Leva Trazione	Levier Traction	Hebel, Antrieb	
3	381003344/0	1	Lever, Engine Brake	Leva Freno Motore	Levier Frein Moteur	Hebel, Motorbremse	
4	22430309/0	1	Guide Spring	Molla Guida	Ressort De Guide	Feder Führer	
5	12154330/0	1	Nut	Dado	Ecrou	Mutter	
6	381007046/0	2	Handle Black	Manico Nero	Mancheron Noire, D	Holm Schwarz, Rechte	
6	381007047/0	2	Handle Grey	Manico Grigio	Mancheron Gris, D	Holm Grau, Rechte	
7	112735662/1	4	Screw	Vite	Vis	Schraube	
8	322041967/1	4	Bush	Bussola	Douille	Buchse	
9	12154510/0	3	Nut	Dado	Ecrou	Mutter	
10	112728721/0	2	Screw	Vite	Vis	Schraube	
11	12727786/0	1	Screw	Vite	Vis	Schraube	
12	181030077/0	1	Cable, Thread Eng. Brake	Cavo Freno Motore	Cable Frein Moteur	Kabel, Motorbremse	
13	381030078/1	1	Cable, Rear Drive	Cavo Comando Trazione	Câble, Commande Traction	Kabel, Antrieb	
14	181007145/0	1	Throttle Cable	Cavo Acceleratore	Cable, Accélérateur	Gashebel Kabel	B&S
14	181007199/0	1	Throttle Cable	Cavo Acceleratore	Cable, Accélérateur	Gashebel Kabel	Honda-GGP
15	322806644/0	2	Protection	Protezione	Protection	Schutz	
16	112727812/0	2	Screw	Vite	Vis	Schraube	
17	112523000/1	2	Washer	Rosetta	Rondelle	Scheibe	
19	322488301/0	1	Support , R	Supporto, Parte Dx	Support, D	Halter, Rechte	
20	322488303/0	1	Support, L	Supporto, Parte Sx	Support, G	Halter, Linke	
21	22671651/0	2	Washer	Rosetta	Rondelle	Scheibe	
22	112819105/0	2	Screw	Vite	Vis	Schraube	
23	322399804/1	2	Knob	Manopolina	Poignée	Griff	
24	12293200/0	2	Nut	Dado	Ecrou	Mutter	
25	12793102/0	2	Screw	Vite	Vis	Schraube	
26	12155000/0	2	Nut	Dado	Ecrou	Mutter	
27	18203854/0	2	Protection	Cappuccio	Capuchon	Stecker	



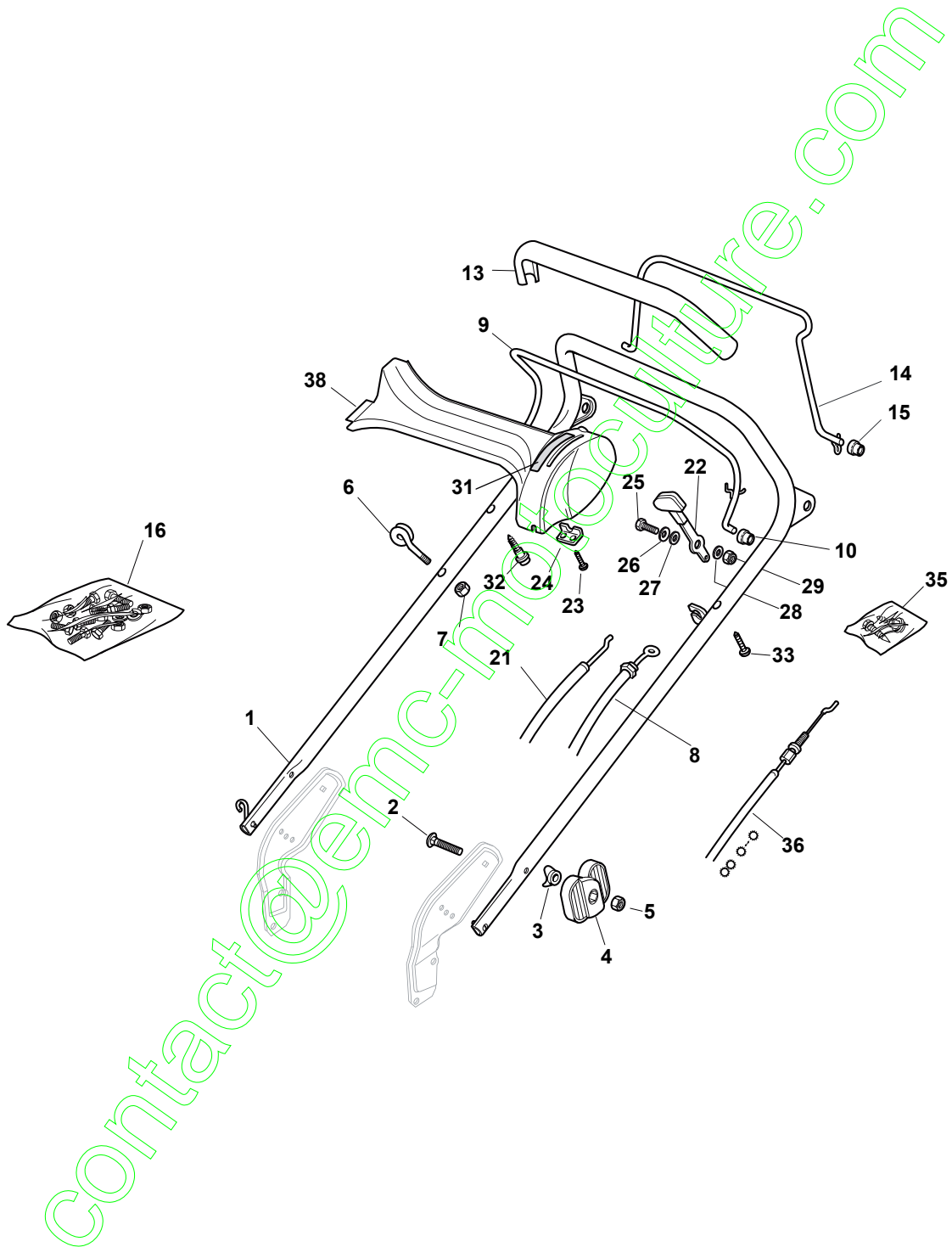
POS	PART. NO	Q.ty	DESCRIPTION	DESCRIZIONE	DESCRIPTION	BESCHREIBUNG	REMARKS
1	381006861/0	1	Handle, Upper Part	Manico, Parte Sup	Mancheron, Partie Superieure	Holm, Oberteil	
2	112819120/0	2	Screw	Vite	Vis	Schraube	
3	122680006/1	2	Washer	Rosetta	Rondelle	Scheibe	
4	122399803/0	2	Knob	Manopolina	Poignée	Griff	
5	112293200/0	2	Nut	Dado	Ecrou	Mutter	
6	122430309/0	1	Spring	Molla	Ressort	Feder	
7	112154330/0	1	Nut	Dado	Ecrou	Mutter	
8	181000615/0	1	Cable, Thread Engine Brake	Cavo Freno Motore	Cable Frein Moteur	Kabel, Motorbremse	DOV 750
8	181000616/1	1	Cable, Thread Engine Brake	Cavo Freno Motore	Cable Frein Moteur	Kabel, Motorbremse	Honda
8	181000634/0	1	Cable, Thread Engine Brake	Cavo Freno Motore	Cable Frein Moteur	Kabel, Motorbremse	B&S E Series
8	181000642/1	1	Cable, Thread Engine Brake	Cavo Freno Motore	Cable Frein Moteur	Kabel, Motorbremse	B&S 675-625
8	181000757/0	1	Cable, Thread Engine Brake	Cavo Freno Motore	Cable Frein Moteur	Kabel, Motorbremse	GGP
9	181003291/3	1	Lever, Engine Brake	Leva Freno Motore	Levier Frein Moteur	Hebel, Motorbremse	
10	122041966/0	2	Bush	Bussola	Douille	Büchse	
14	181003288/1	1	Lever, Driving	Leva Trazione	Levier Traction	Antriebhebel	
15	322041965/1	2	Bush	Bussola	Douille	Büchse	
16	381008610/1	1	Outfit, Screws	Dotazione Viteria	Dotation Visserie	Satz, Schrauben	
35	381008609/0	1	Outfit, Screws	Dotazione Viteria	Dotation Visserie	Satz, Schrauben	
36	381000669/0	1	Cable, Rear Drive	Cavo Comando Trazione	Cable, Comm. Traction	Kabel, Antrieb	GT
36	381000673/0	1	Cable, Rear Drive	Cavo Comando Trazione	Cable, Comm. Traction	Kabel, Antrieb	Bi.Ci.Di.



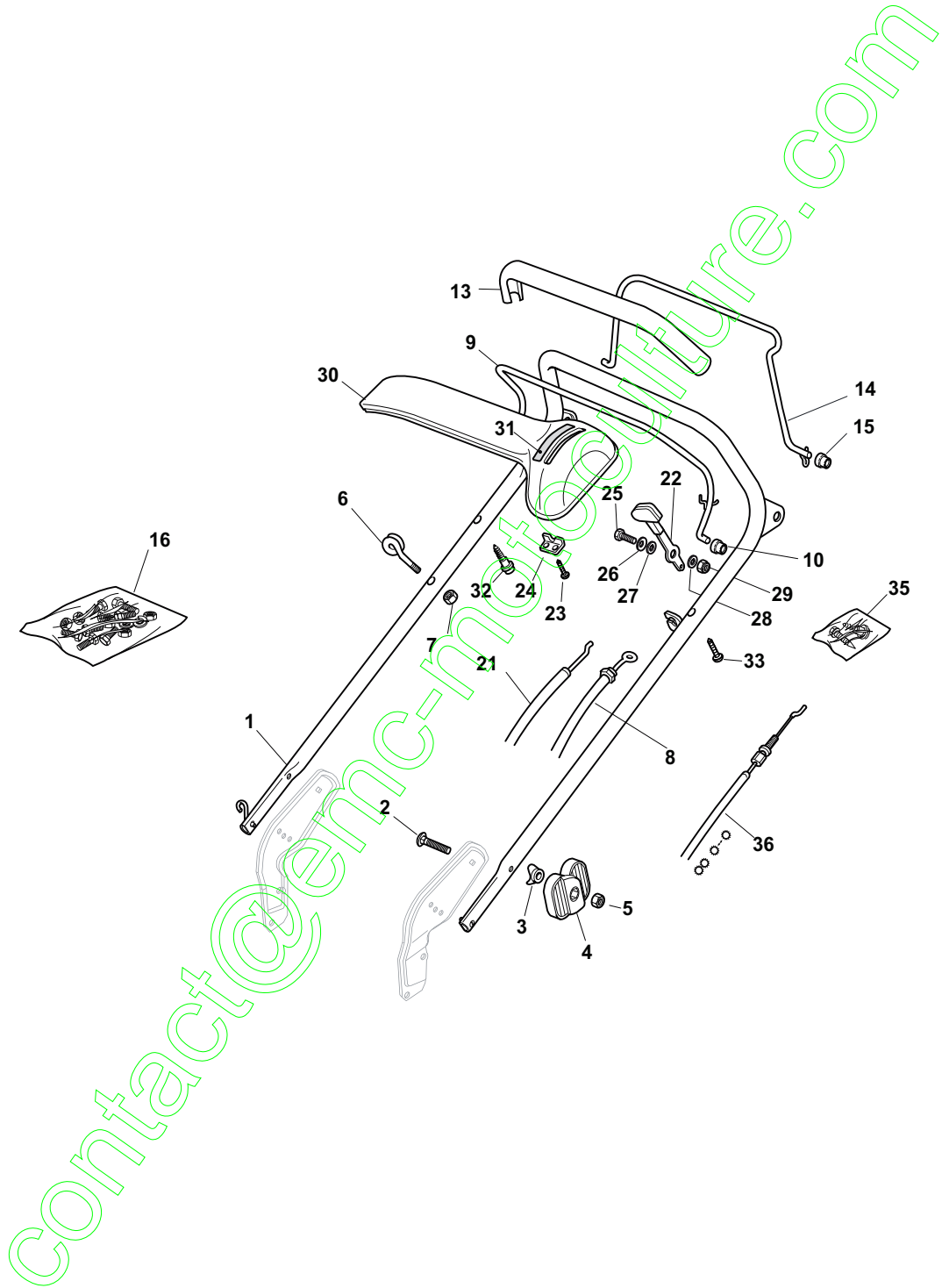
POS	PART. NO	Q.ty	DESCRIPTION	DESCRIZIONE	DESCRIPTION	BESCHREIBUNG	REMARKS
1	381006875/0	1	Handle, Upper Part	Manico, Parte Sup	Mancheron, Partie Superieure	Holm, Oberteil	
2	112819120/0	2	Screw	Vite	Vis	Schraube	
3	122680006/1	2	Washer	Rosetta	Rondelle	Scheibe	
4	122399803/0	2	Knob	Manopolina	Poignée	Griff	
5	112293200/0	2	Nut	Dado	Ecrou	Mutter	
6	122430309/0	1	Spring	Molla	Ressort	Feder	
7	112154330/0	1	Nut	Dado	Ecrou	Mutter	
8	181000616/1	1	Lever, Engine Brake Black	Leva Freno Motore Nero	Levier Frein Moteur Noire	Hebel, Motorbremse, Schwarz	Honda
8	181000616/1	1	Lever, Engine Brake Black	Leva Freno Motore Nero	Levier Frein Moteur Noire	Hebel, Motorbremse, Schwarz	GGP
8	181000634/0	1	Lever, Engine Brake Black	Leva Freno Motore Nero	Levier Frein Moteur Noire	Hebel, Motorbremse, Schwarz	B&S 675Es
8	181000757/0	1	Lever, Engine Brake Black	Leva Freno Motore Nero	Levier Frein Moteur Noire	Hebel, Motorbremse, Schwarz	B&S 675
8	181030006/0	1	Lever, Engine Brake Black	Leva Freno Motore Nero	Levier Frein Moteur Noire	Hebel, Motorbremse, Schwarz	B&S 700-750
9	181003332/1	1	Lever, Engine Brake	Leva Freno Motore	Levier Frein Moteur	Hebel, Motorbremse	
10	122041966/0	2	Bush	Bussola	Douille	Büchse	
11	112727784/0	1	Screw	Vite	Vis	Schraube	
12	381030033/0	1	Cable, Mechanical Clutch	Cavo Comando Frizione Meccanica	Câble, Commande Embayage Mecanique	Kabel, Mechanische Kupplung	
13	122291050/0	1	Handgrip Black	Impugnatura Manico Nera	Poignée Noir	Handgriff Schwarz	
14	181003288/1	1	Lever, Driving	Leva Trazione	Levier Traction	Antriebhebel	
15	322041965/1	2	Bush	Bussola	Douille	Büchse	
16	381008610/1	1	Outfit, Screws	Dotazione Viteria	Dotation Visserie	Satz, Schrauben	
21	381000669/0	1	Cable, Rear Drive	Cavo Comando Trazione	Câble, Comm. Traction	Kabel, Antrieb	GT
21	381000673/0	1	Cable, Rear Drive	Cavo Comando Trazione	Câble, Comm. Traction	Kabel, Antrieb	Bi. Ci. Di.
30	322060228/0	1	Protection, Belt	Carter Cinghia	Protection Courroire	Schutz, Riemen	



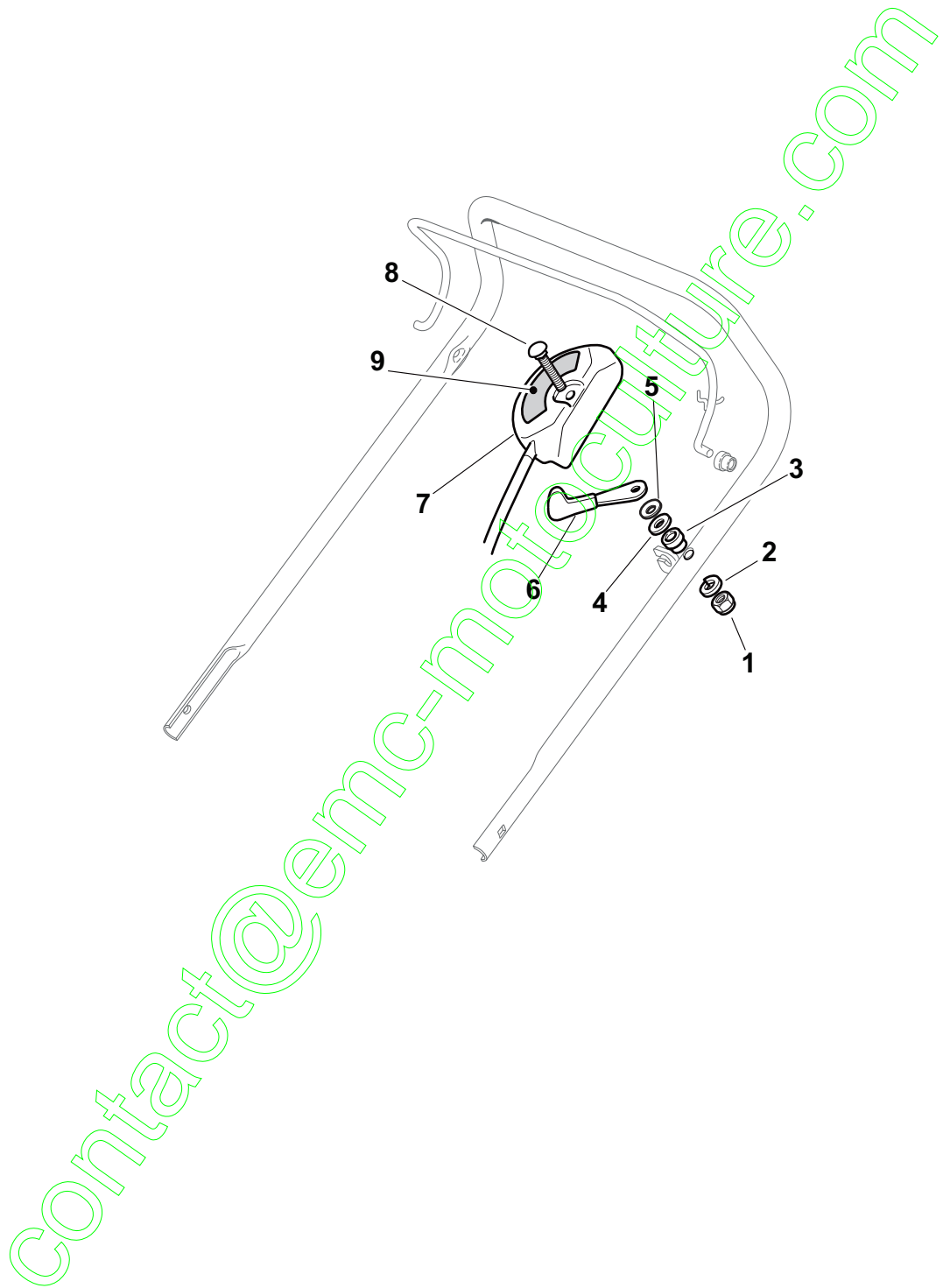
POS	PART. NO	Q.ty	DESCRIPTION	DESCRIZIONE	DESCRIPTION	BESCHREIBUNG	REMARKS
1	381007028/1	1	Handle, Upper Part	Manico, Parte Sup	Mancheron, Partie Superieure	Holm, Oberteil	
2	112819120/0	2	Screw	Vite	Vis	Schraube	
3	122680006/1	2	Washer	Rosetta	Rondelle	Scheibe	
4	122399803/0	2	Knob	Manopolina	Poignée	Griff	
5	112293200/0	2	Nut	Dado	Ecrou	Mutter	
6	122430309/0	1	Spring	Molla	Ressort	Feder	
7	112154330/0	1	Nut	Dado	Ecrou	Mutter	
8	181000616/1	1	Cable, Thread Engine Brake	Cavo Freno Motore	Cable Frein Moteur	Kabel, Motorbremse	Honda-GGP
8	181000634/0	1	Cable, Thread Engine Brake	Cavo Freno Motore	Cable Frein Moteur	Kabel, Motorbremse	B&S 675Es
8	181000757/0	1	Cable, Thread Engine Brake	Cavo Freno Motore	Cable Frein Moteur	Kabel, Motorbremse	B&S 700-750
8	181030006/0	1	Cable, Thread Engine Brake	Cavo Freno Motore	Cable Frein Moteur	Kabel, Motorbremse	B&S 675-625
9	181003291/3	1	Lever, Engine Brake	Leva Freno Motore	Levier Frein Moteur	Hebel, Motorbremse	
10	122041966/0	2	Bush	Bussola	Douille	Büchse	
11	381000669/0	1	Cable, Rear Drive	Cavo Comando Trazione	Câble, Comm. Traction	Kabel, Antrieb	GT
11	381000673/0	1	Cable, Rear Drive	Cavo Comando Trazione	Câble, Comm. Traction	Kabel, Antrieb	Bi. Ci. Di.
12	122291050/0	1	Handgrip Black	Impugnatura Manico Nera	Poignée Noir	Handgriff Schwarz	
13	181003288/1	1	Lever, Driving	Leva Trazione	Levier Traction	Antriebhebel	
14	322041965/1	2	Bush	Bussola	Douille	Büchse	
15	181007091/0	1	Throttle Cable	Cavo Acceleratore	Cable, Accelérateur	Gashebel Kabel	B&S
15	181007092/0	1	Throttle Cable	Cavo Acceleratore	Cable, Accelérateur	Gashebel Kabel	Honda-GGP
16	122399801/0	1	Knob	Manopolina	Poignée	Griff	
17	112726388/0	1	Screw	Vite	Vis	Schraube	
18	112290800/0	1	Nut	Dado	Ecrou	Mutter	
19	112728460/0	1	Screw	Vite	Vis	Schraube	
20	122943006/0	1	Screw	Vite	Vis	Schraube	
21	381008499/1	1	Outfit, Screws	Dotazione Viteria	Dotation Visserie	Satz, Schrauben	
22	422120148/0	1	Dash Board Yellow	Cruscotto Giallo	Console Jaune	Konsole Gelbe	
22	422120150/0	1	Dash Board Red	Cruscotto Rosso	Console Rouge	Konsole Rote	
22	422120164/0	1	Dash Board Black	Cruscotto Nero	Console Noire	Konsole Schwarze	
23	114356692/0	1	Screw	Vite	Vis	Schraube	Honda
23	114356693/0	1	Screw	Vite	Vis	Schraube	B&S
23	114361477/0	1	Belt	Cinghia	Courroire	Riemen	GGP
24	112788910/0	2	Screw	Vite	Vis	Schraube	
25	112523020/0	2	Washer	Rosetta	Rondelle	Scheibe	
26	112581500/0	2	Grower	Grower	Grower	Federring	
27	112291000/0	2	Nut	Dado	Ecrou	Mutter	
28	381008610/1	1	Outfit, Screws	Dotazione Viteria	Dotation Visserie	Satz, Schrauben	



POS	PART. NO	Q.ty	DESCRIPTION	DESCRIZIONE	DESCRIPTION	BESCHREIBUNG	REMARKS
1	381006861/0	1	Handle, Upper Part	Manico, Parte Sup	Mancheron, Partie Superieure	Holm, Oberteil	
2	112819120/0	2	Screw	Vite	Vis	Schraube	
3	122680006/1	2	Washer	Rosetta	Rondelle	Scheibe	
4	122399803/0	2	Knob	Manopolina	Poignée	Griff	
5	112293200/0	2	Nut	Dado	Ecrou	Mutter	
6	122430309/0	1	Spring	Molla	Ressort	Feder	
7	112154330/0	1	Nut	Dado	Ecrou	Mutter	
8	181000616/1	1	Cable, Thread Engine Brake	Cavo Freno Motore	Cable Frein Moteur	Kabel, Motorbremse	Honda-GGP
8	181000634/0	1	Cable, Thread Engine Brake	Cavo Freno Motore	Cable Frein Moteur	Kabel, Motorbremse	B&S E Series
8	181000757/0	1	Cable, Thread Engine Brake	Cavo Freno Motore	Cable Frein Moteur	Kabel, Motorbremse	B&S 700-750
8	181030006/0	1	Cable, Thread Engine Brake	Cavo Freno Motore	Cable Frein Moteur	Kabel, Motorbremse	B&S 675-625
9	181003291/3	1	Lever, Engine Brake	Leva Freno Motore	Levier Frein Moteur	Hebel, Motorbremse	
10	122041966/0	2	Bush	Bussola	Douille	Büchse	
13	122291050/0	1	Handgrip Black	Impugnatura Manico Nera	Poignée Noir	Handgriff Schwarz	
14	181003288/1	1	Lever, Driving	Leva Trazione	Levier Traction	Antriebhebel	
15	322041965/1	2	Bush	Bussola	Douille	Büchse	
16	381008610/1	1	Outfit, Screws	Dotazione Viteria	Dotation Visserie	Satz, Schrauben	
21	481007160/0	1	Throttle Cable	Cavo Acceleratore	Cable, Accelérateur	Gashebel Kabel	
22	381007221/0	1	Lever, Throttle	Leva, Acceleratore	Levier, Accelérateur	Hebel, Beschleuniger	GGP150cc-B&S 450-500
22	381007280/2	1	Lever, Throttle	Leva, Acceleratore	Levier, Accelérateur	Hebel, Beschleuniger	GGP-Honda-BS
23	112735105/0	2	Screw	Vite	Vis	Schraube	
24	322981467/0	1	Plate	Piastrina	Plaquette	Plättchen	
25	112791500/0	1	Screw	Vite	Vis	Schraube	
26	112530060/0	1	Elastic Washer	Disco Elastico	Disque Elastique	Federscheibe	
27	112523040/0	1	Washer	Rosetta	Rondelle	Scheibe	
28	112523040/0	1	Washer	Rosetta	Rondelle	Scheibe	
29	112154510/0	1	Nut	Dado	Ecrou	Mutter	
31	114356743/1	1	Label	Etichetta	Etiquette	Etikette	Honda-GGP
31	114356744/1	1	Label	Etichetta	Etiquette	Etikette	B&S 675
31	114356743/1	1	Label	Etichetta	Etiquette	Etikette	B&S 700
31	114356906/1	1	Label	Etichetta	Etiquette	Etikette	B&S 675Es
31	114357646/1	1	Label	Etichetta	Etiquette	Etikette	B&S E Series
32	122943006/0	1	Screw	Vite	Vis	Schraube	
33	112728460/0	1	Screw	Vite	Vis	Schraube	
35	381008609/0	1	Outfit, Screws	Dotazione Viteria	Dotation Visserie	Satz, Schrauben	
36	381000669/0	1	Cable, Rear Drive	Cavo Comando Trazione	Câble, Comm. Traction	Kabel, Antrieb	GT
36	381000673/0	1	Cable, Rear Drive	Cavo Comando Trazione	Câble, Comm. Traction	Kabel, Antrieb	Bi. Ci. Di.
38	422120172/0	1	Dash Board Black	Cruscotto Nero	Console Noire	Konsole Schwarze	
38	422120173/0	1	Dash Board Red	Cruscotto Rosso	Console Rouge	Konsole Rote	
38	422120174/0	1	Dash Board Yellow	Cruscotto Giallo	Console Jaune	Konsole Gelbe	

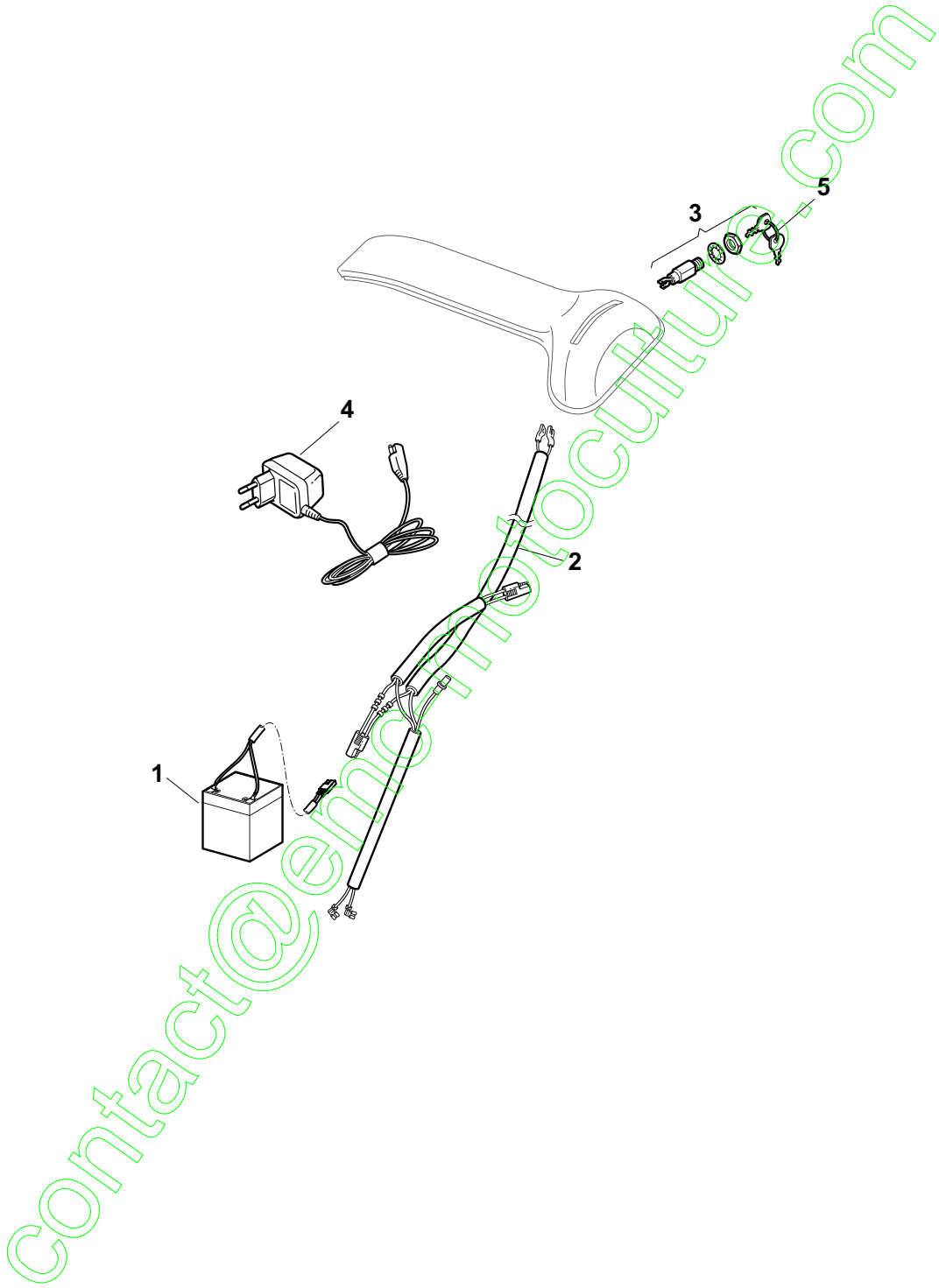


POS	PART. NO	Q.ty	DESCRIPTION	DESCRIZIONE	DESCRIPTION	BESCHREIBUNG	REMARKS
1	381006861/0	1	Handle, Upper Part	Manico, Parte Sup	Mancheron, Partie Superieure	Holm, Oberteil	
2	112819120/0	2	Screw	Vite	Vis	Schraube	
3	122680006/1	2	Washer	Rosetta	Rondelle	Scheibe	
4	122399803/0	2	Knob	Manopolina	Poignée	Griff	
5	112293200/0	2	Nut	Dado	Ecrou	Mutter	
6	122430309/0	1	Spring	Molla	Ressort	Feder	
7	112154330/0	1	Nut	Dado	Ecrou	Mutter	
8	181000616/1	1	Cable, Thread Engine Brake	Cavo Freno Motore	Cable Frein Moteur	Kabel, Motorbremse	Honda-GGP
8	181000634/0	1	Cable, Thread Engine Brake	Cavo Freno Motore	Cable Frein Moteur	Kabel, Motorbremse	B&S E Series
8	181000757/0	1	Cable, Thread Engine Brake	Cavo Freno Motore	Cable Frein Moteur	Kabel, Motorbremse	B&S 700-750
8	181030006/0	1	Cable, Thread Engine Brake	Cavo Freno Motore	Cable Frein Moteur	Kabel, Motorbremse	B&S 675-625
9	181003291/3	1	Lever, Engine Brake	Leva Freno Motore	Levier Frein Moteur	Hebel, Motorbremse	
10	122041966/0	2	Bush	Bussola	Douille	Büchse	
13	122291050/0	1	Handgrip Black	Impugnatura Manico Nera	Poignée Noir	Handgriff Schwarz	
14	181003288/1	1	Lever, Driving	Leva Trazione	Levier Traction	Antriebhebel	
15	322041965/1	2	Bush	Bussola	Douille	Büchse	
16	381008610/1	1	Outfit, Screws	Dotazione Viteria	Dotation Visserie	Satz, Schrauben	
21	481007160/0	1	Throttle Cable	Cavo Acceleratore	Cable, Accelérateur	Gashebel Kabel	
22	381007221/0	1	Lever, Throttle	Leva, Acceleratore	Levier, Accelérateur	Hebel, Beschleuniger	GGP150cc-B&S 450-500
22	381007280/2	1	Lever, Throttle	Leva, Acceleratore	Levier, Accelérateur	Hebel, Beschleuniger	GGP-Honda-BS
23	112735105/0	2	Screw	Vite	Vis	Schraube	
24	322981467/0	1	Plate	Piastrina	Plaquette	Plättchen	
25	112791500/0	1	Screw	Vite	Vis	Schraube	
26	112530060/0	1	Elastic Washer	Disco Elastico	Disque Elastique	Federscheibe	
27	112523040/0	1	Washer	Rosetta	Rondelle	Scheibe	
28	112523040/0	1	Washer	Rosetta	Rondelle	Scheibe	
29	112154510/0	1	Nut	Dado	Ecrou	Mutter	
30	422120152/0	1	Dash Board Yellow	Cruscotto Giallo	Console Jaune	Konsole Gelbe	
30	422120154/0	1	Dash Board Red	Cruscotto Rosso	Console Rouge	Konsole Rote	
30	422120158/0	1	Dash Board Black	Cruscotto Nero	Console Noire	Konsole Schwarze	
31	114356743/1	1	Label	Etichetta	Etiquette	Etikette	Honda-GGP
31	114356744/1	1	Label	Etichetta	Etiquette	Etikette	B&S 675
31	114356743/1	1	Label	Etichetta	Etiquette	Etikette	B&S 700
31	114356906/1	1	Label	Etichetta	Etiquette	Etikette	B&S 675Es
31	114357646/1	1	Label	Etichetta	Etiquette	Etikette	B&S E Series
32	122943006/0	1	Screw	Vite	Vis	Schraube	
33	112728460/0	1	Screw	Vite	Vis	Schraube	
35	381008609/0	1	Outfit, Screws	Dotazione Viteria	Dotation Visserie	Satz, Schrauben	
36	381000669/0	1	Cable, Rear Drive	Cavo Comando Trazione	Câble, Comm. Traction	Kabel, Antrieb	GT
36	381000673/0	1	Cable, Rear Drive	Cavo Comando Trazione	Câble, Comm. Traction	Kabel, Antrieb	Bi. Ci. Di.



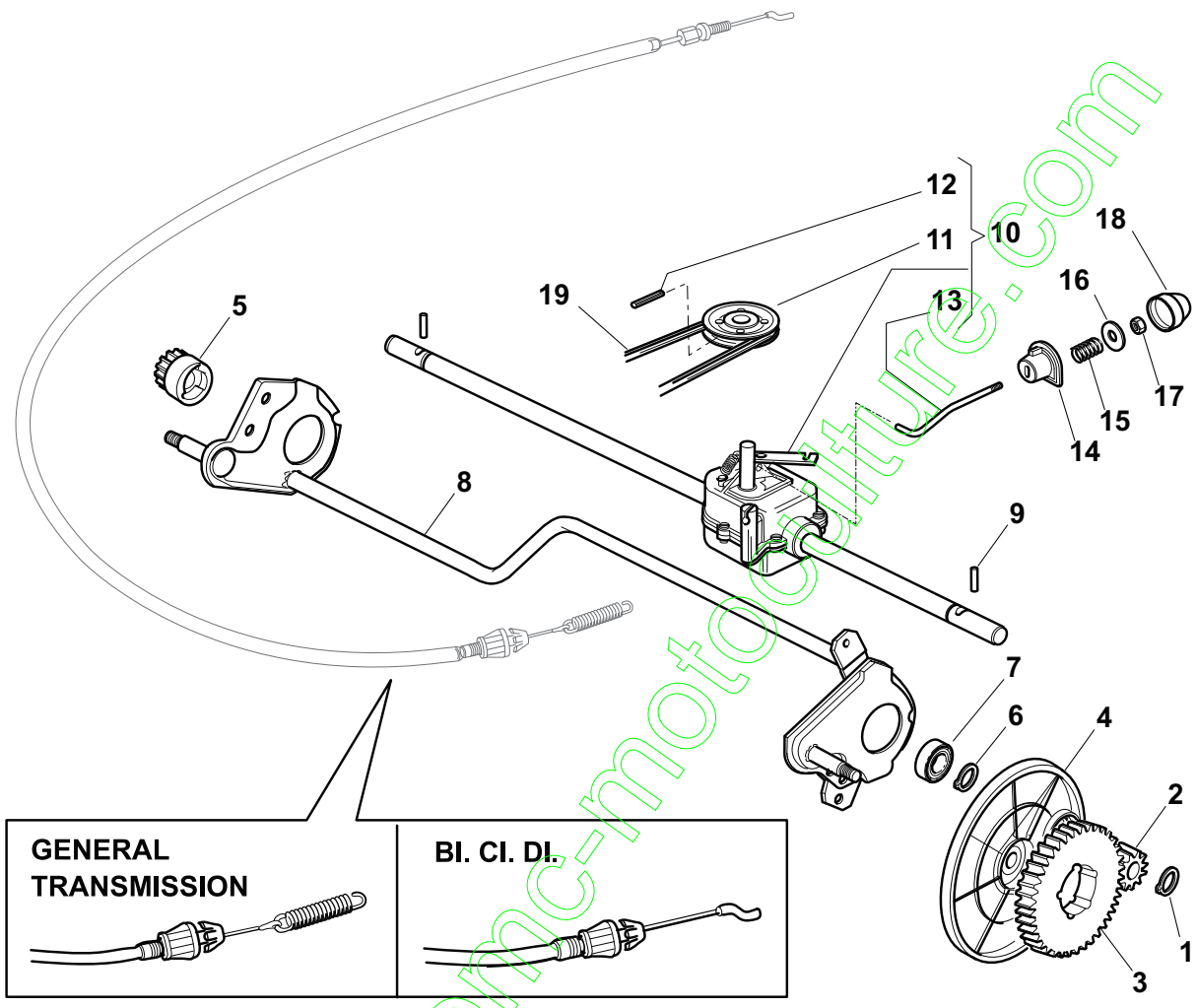
POS	PART. NO	Q.ty	DESCRIPTION	DESCRIZIONE	DESCRIPTION	BESCHREIBUNG	REMARKS
1	12291000/0	1	Nut	Dado	Ecrou	Mutter	
2	12581500/0	1	Grower	Grower	Grower	Federring	
3	22171005/0	1	Spacer	Distanziale	Entretoise	Distanzring	
4	12521360/0	1	Washer	Rosetta	Rondelle	Scheibe	
5	12508100/0	1	Spring Washer	Rosetta Elastica	Rondelle Elastique	Elastische Scheibe	
6	81007279/1	1	Lever, Throttle	Leva, Acceleratore	Levier, Accelérateur	Hebel, Beschleuniger	GGP-Honda-B&S
6	81007220/0	1	Lever, Throttle	Leva, Acceleratore	Levier, Accelérateur	Hebel, Beschleuniger	GGP150cc-B&S 450-500
7	81007080/0	1	Throttle Cable	Cavo Acceleratore	Cable, Accelérateur	Gashebel Kabel	
8	12815000/0	1	Screw	Vite	Vis	Schraube	B&S
9	14356703/0	1	Label	Etichetta	Etiquette	Etikette	B&S 700-750
9	14356702/0	1	Label	Etichetta	Etiquette	Etikette	GGP
9	14356905/0	1	Label	Etichetta	Etiquette	Etikette	GGP AVS
9	114364264/0	1	Label	Etichetta	Etiquette	Etikette	Honda

contact@emc-motoculture.com

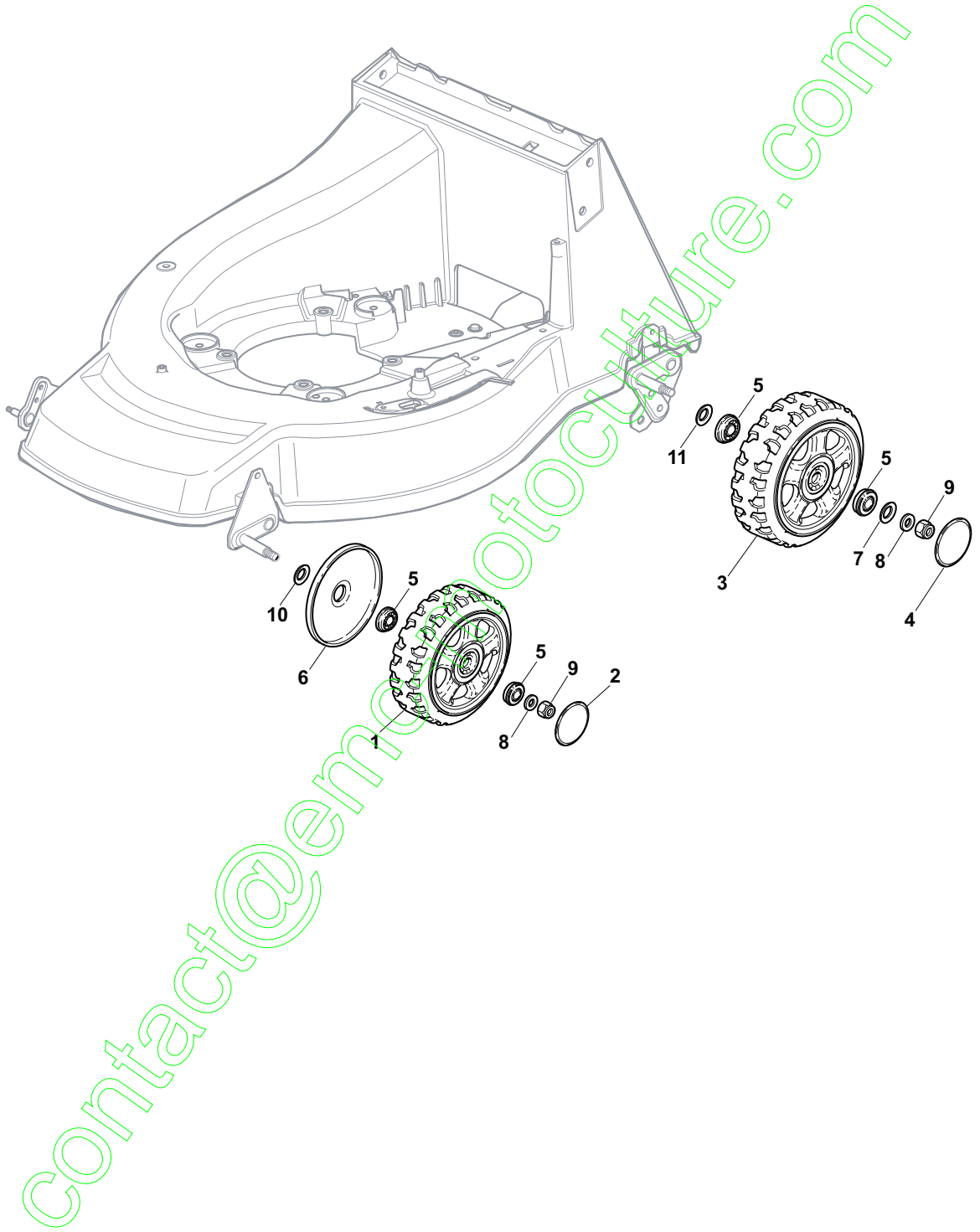


POS	PART. NO	Q.ty	DESCRIPTION	DESCRIZIONE	DESCRIPTION	BESCHREIBUNG	REMARKS
1	18120052/0	1	Battery	Batteria	Batterie	Batterie	
2	118204192/3	1	Cable, Start	Cavo Avviamento	Cable Démarrage	Kabel, Start	B&S-GGP
2	18204198/0	1	Cable, Start	Cavo Avviamento	Cable Démarrage	Kabel, Start	Honda
3	18450050/0	1	Switch	Interruttore	Interrupteur	Schalter	
4	18204120/0	1	Battery Charger	Carica Batteria	Chargeur De	Ladgerät	CE
4	18204121/0	1	Battery Charger	Carica Batteria	Chargeur De	Ladgerät	UK
5	18210016/1	1	Starting Key	Chiave Avviamento	Clef A Demarrage	Schlüssel Für Start	

contact@enc-motoculture.com

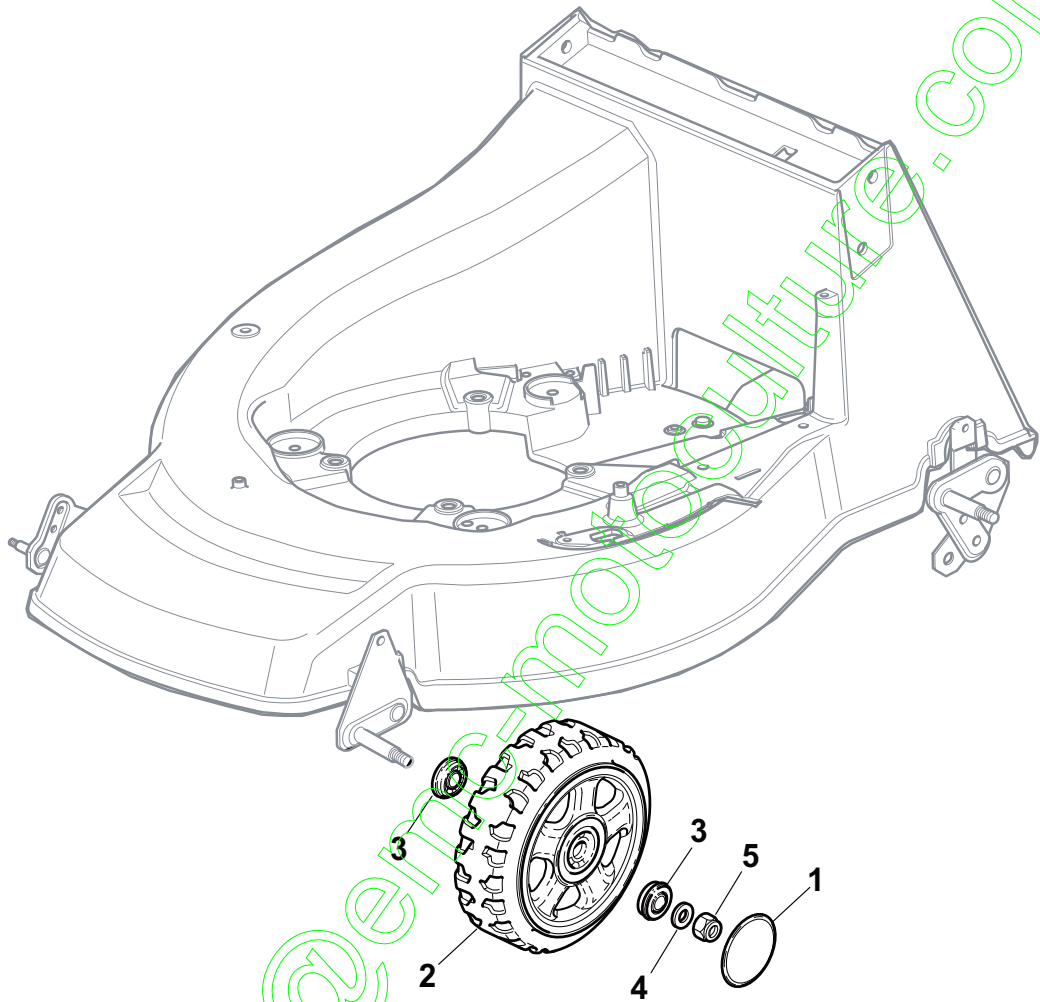


POS	PART. NO	Q.ty	DESCRIPTION	DESCRIZIONE	DESCRIPTION	BESCHREIBUNG	REMARKS
1	12608600/0	2	Seeger	Seeger	Seeger	Seeger	
2	22570120/1	1	Pinion L	Pignone Sx	Pignon G	Ritzel Linkes	
3	22120105/1	2	Ring Gear	Corona	Couronne	Kranz	
4	22600091/1	2	Protection, Wheel	Prot. Ruote	Protection Roue	Schütz, Räder	
5	22570110/1	1	Pinion R	Pignone Dx	Pignon D	Ritzel Rechtes	
6	12608600/0	2	Seeger	Seeger	Seeger	Seeger	
7	19216035/0	2	Bearing	Cuscinetto	Coussinet	Lager	
8	81002811/0	1	Axle, Rear Wheels	Asse Ruote Posteriori	Axe Roues Arriere	Achse, Hinterrad	
9	22753000/0	2	Pin	Spina	Goupille	Stift	
10	81003082/1	1	Gear Box (Grey)	Gruppo Trazione (Grigio)	Groupe Traction (Gris)	Antrieb (Grau)	(Bi. Ci. Di.)
10	181003079/1	1	Gear Box	Gruppo Trazione	Groupe Traction	Antrieb	(General Transmission)
11	22601909/0	1	Pulley	Puleggia	Poulie	Riemenscheibe	
12	12645705/0	1	Pin	Spina	Goupille	Stift	
13	22033281/0	1	Adjustment Rod	Asta Regolazione	Tige Reglage	Verstellungstange	
14	22041957/1	1	Bush	Bussola	Douille	Buchse	
15	22450063/0	1	Spring	Molla	Ressort	Feder	
16	22680009/0	1	Washer	Rosetta	Rondelle	Scheibe	
17	12154510/0	1	Nut	Dado	Ecrou	Mutter	
18	22110230/0	1	Cap	Tappo	Bouchon	Gummistopfen	
19	35064195/0	1	Belt	Cinghia	Courroie	Riemen	



POS	PART. NO	Q.ty	DESCRIPTION	DESCRIZIONE	DESCRIPTION	BESCHREIBUNG	REMARKS
1	381007378/0	2	Wheel Ø 170	Ruota Ø 170	Roue Ø 170	Rad. Ø 170	
2	22110418/0	2	Hub Cap	Coprimozzo	Couvre-Moyeu	Radkappe	
3	81007382/0	2	Wheel Ø 210	Ruota Ø 210	Roue Ø 210	Rad. Ø 210	
4	22110419/0	2	Hub Cap	Coprimozzo	Couvre-Moyeu	Radkappe	
5	22122200/0	8	Bearing	Cuscinetto	Coussinet	Lager	
6	22600144/0	2	Protection	Protezione	Protection	Schutz	
7	22675100/0	2	Washer	Rosetta	Rondelle	Scheibe	
8	12521350/0	4	Washer	Rosetta	Rondelle	Scheibe	
9	12155000/0	4	Nut	Dado	Ecrou	Mutter	
10	12530150/0	2	Elastic Washer	Rosetta Elastica	Rondelle Elastique	Elastische Scheibe	
11	12530151/0	2	Washer	Rosetta	Rondelle	Scheibe	

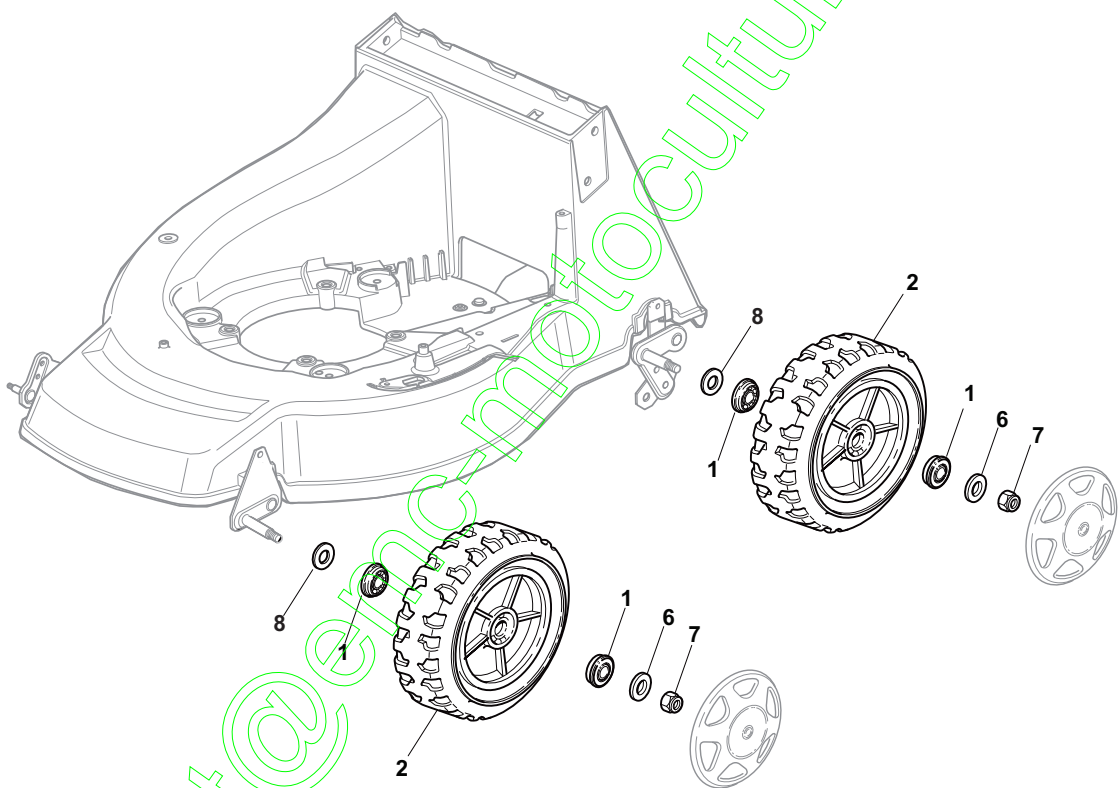
contact@enc-motoculture.com



POS	PART. NO	Q.ty	DESCRIPTION	DESCRIZIONE	DESCRIPTION	BESCHREIBUNG	REMARKS
1	22110419/0	4	Hub Cap	Coprimozzo	Couvre-Moyeu	Radkappe	
2	81007382/0	2	Wheel Ø 210	Ruota Ø 210	Roue Ø 210	Rad. Ø 210	
3	22122200/0	8	Bearing	Cuscinetto	Coussinet	Lager	
4	22675100/0	4	Washer	Rosetta	Rondelle	Scheibe	
5	12521350/0	4	Washer	Rosetta	Rondelle	Scheibe	

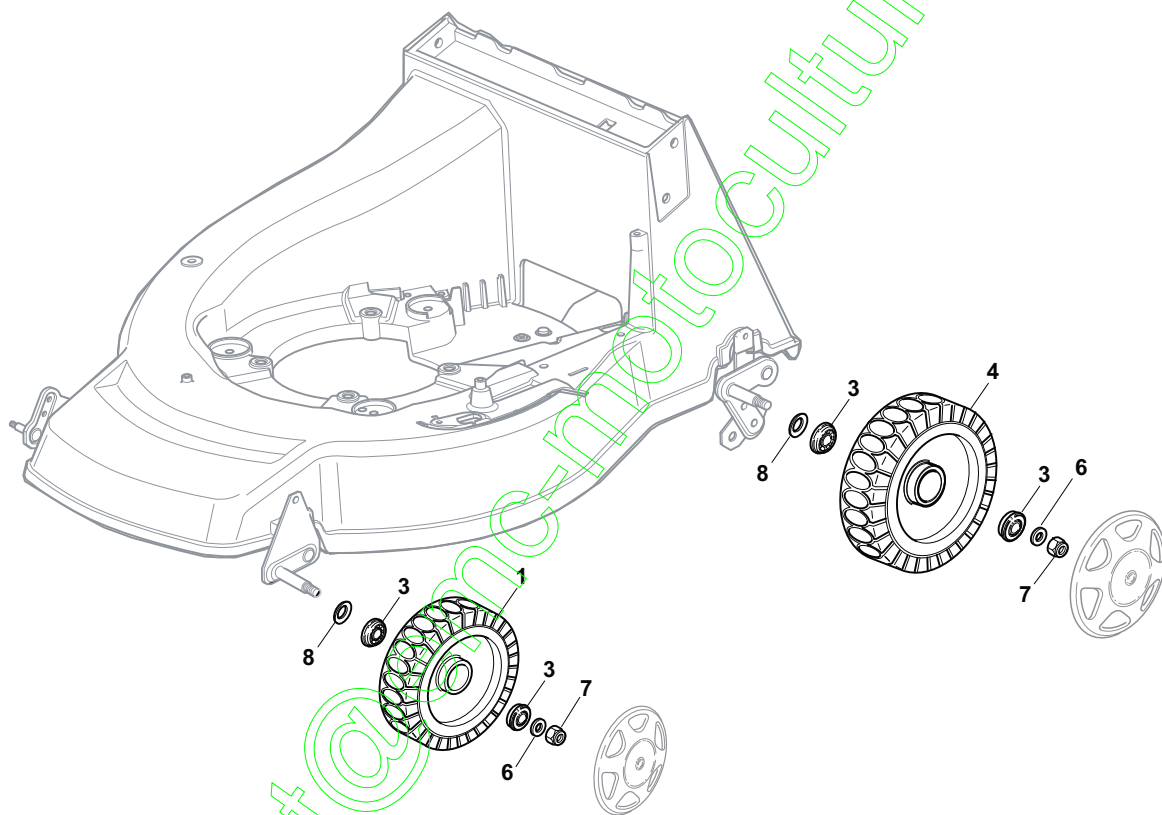
contact@emc-motoculture.com

contact@eric-proculture.com



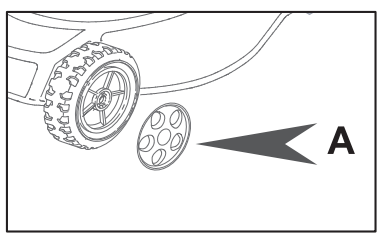
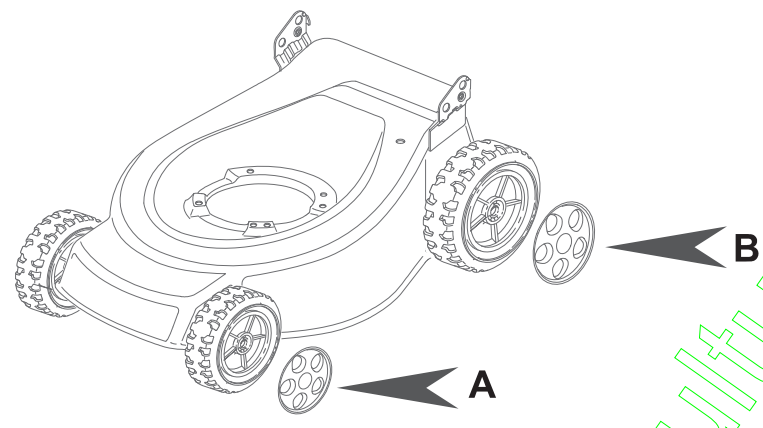
POS	PART. NO	Q.ty	DESCRIPTION	DESCRIZIONE	DESCRIPTION	BESCHREIBUNG	REMARKS
1	22122200/0	8	Bearing	Cuscinetto	Coussinet	Lager	
2	381007390/1	4	Wheel Ø 210	Ruota Ø 210	Roue Ø 210	Rad Ø 210	
6	12521350/0	8	Washer	Rosetta	Rondelle	Scheibe	
7	12155000/0	8	Nut	Dado	Ecrou	Mutter	
8	12530150/0	4	Elastic Washer	Rosetta Elastica	Rondelle Elastique	Elastische Scheibe	

contact@emc-motoculture.com

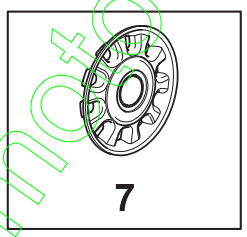


POS	PART. NO	Q.ty	DESCRIPTION	DESCRIZIONE	DESCRIPTION	BESCHREIBUNG	REMARKS
1	81007317/0	2	Wheel Ø 170	Ruota Ø 170	Roue Ø 170	Rad. Ø 170	
2	22110395/0	2	Hub Cap	Coprimozzo	Couvre-Moyeu	Radkappe	
3	22122200/0	8	Bearing	Cuscinetto	Coussinet	Lager	
4	81007318/1	2	Wheel Ø 210	Ruota Ø 210	Roue Ø 210	Rad. Ø 210	
6	12521350/0	4	Washer	Rosetta	Rondelle	Scheibe	
7	12155000/0	4	Nut	Dado	Ecrou	Mutter	
8	12530150/0	4	Elastic Washer	Rosetta Elastica	Rondelle Elastique	Elastische Scheibe	

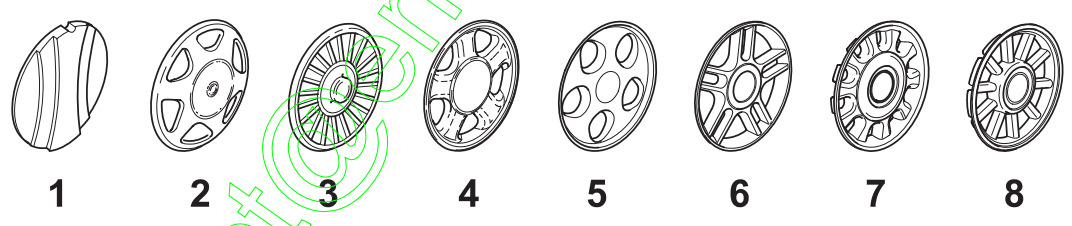
contact@enc-motoculture.com



+

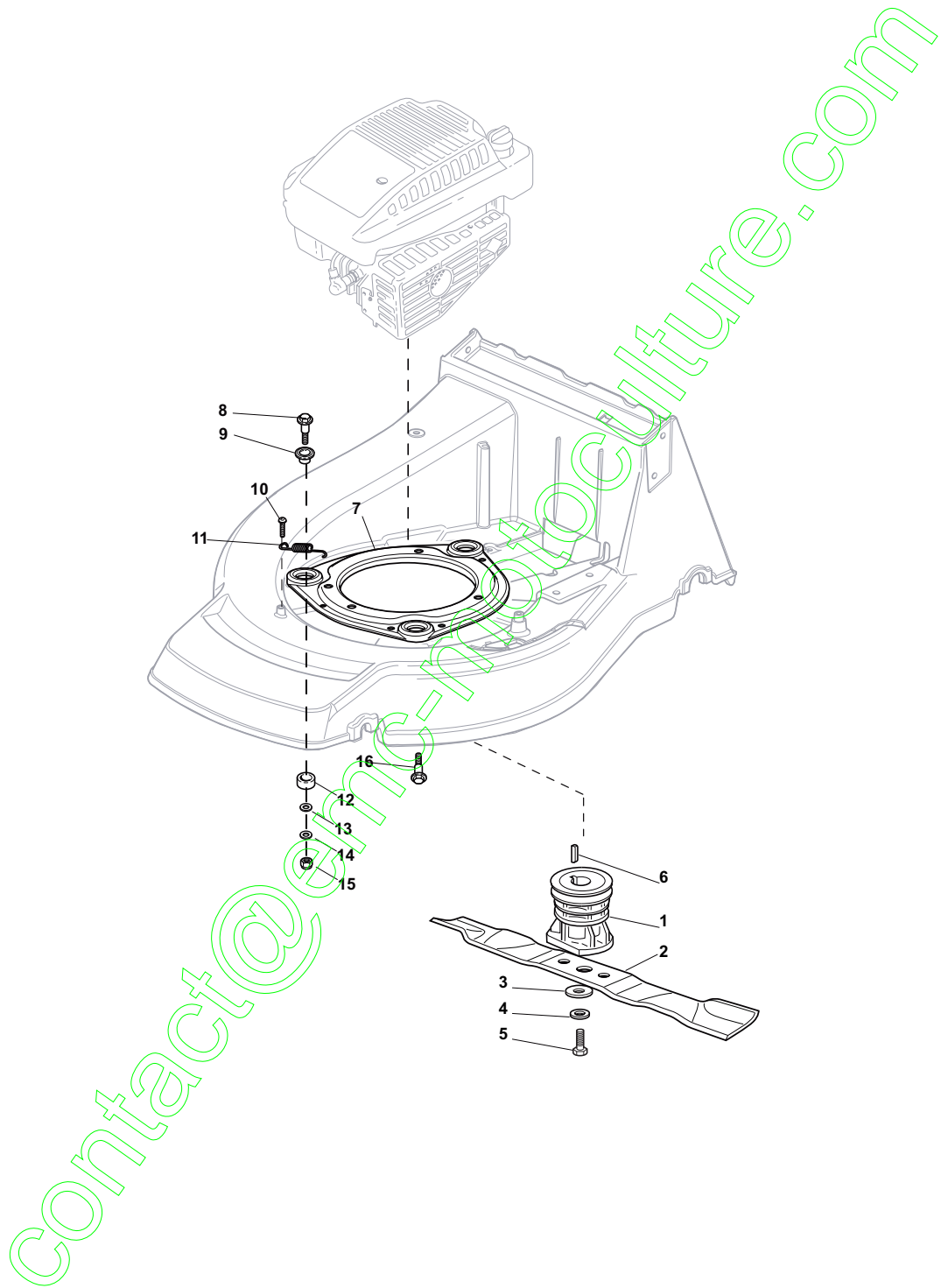


= A7

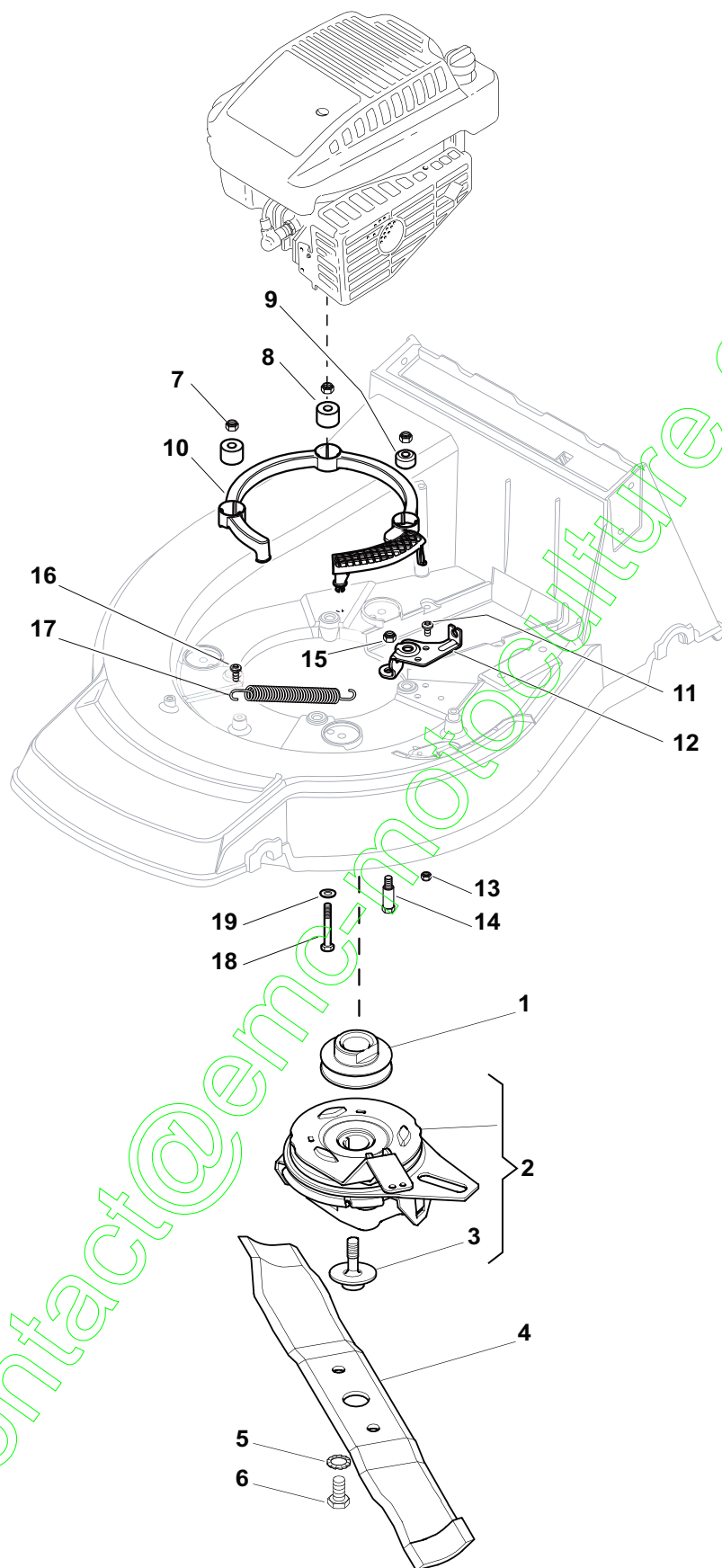


POS	PART. NO	Q.ty	DESCRIPTION	DESCRIZIONE	DESCRIPTION	BESCHREIBUNG	REMARKS
B1	22110251/0	2	Hub Cap White	Coprимozzo Bianco	Couvre-Moyeu	Radkappe Weiße	
A1	22110252/1	2	Hub Cap White	Coprимozzo Bianco	Couvre-Moyeu	Radkappe Weiße	
B1	22110253/0	2	Hub Cap Yellow	Coprимozzo Giallo	Couvre-Moyeu	Radkappe Gelbe	
A1	22110254/0	2	Hub Cap Yellow	Coprимozzo Giallo	Couvre-Moyeu	Radkappe Gelbe	
A1	22110255/1	2	Hub Cap Red	Coprимozzo Rosso	Couvre-Moyeu	Radkappe Rote	
B1	22110256/0	2	Hub Cap Red	Coprимozzo Rosso	Couvre-Moyeu	Radkappe Rote	
A1	22110285/1	2	Hub Cap Grey	Coprимozzo Grigio	Couvre-Moyeu	Radkappe	
B1	22110286/0	2	Hub Cap Grey	Coprимozzo Grigio	Couvre-Moyeu	Radkappe	
B2	22110313/0	2	Hub Cap Grey	Coprимozzo Grigio	Couvre-Moyeu	Radkappe	
B2	22110314/0	2	Hub Cap Grey	Coprимozzo Grigio	Couvre-Moyeu	Radkappe	
A2	22110344/0	2	Hub Cap White	Coprимozzo Bianco	Couvre-Moyeu	Radkappe Weiße	
A2	22110395/0	2	Hub Cap Grey	Coprимozzo Grigio	Couvre-Moyeu	Radkappe	
A3	22110347/0	2	Hub Cap Grey	Coprимozzo Grigio	Couvre-Moyeu	Radkappe	
B3	22110381/0	2	Hub Cap Grey	Coprимozzo Grigio	Couvre-Moyeu	Radkappe	
A4	22110382/0	2	Hub Cap Grey	Coprимozzo Grigio	Couvre-Moyeu	Radkappe	
B4	22110416/0	2	Hub Cap Grey	Coprимozzo Grigio	Couvre-Moyeu	Radkappe	
B5	22110417/0	2	Hub Cap Grey	Coprимozzo Grigio	Couvre-Moyeu	Radkappe	
A6	22110491/0	2	Hub Cap Grey	Coprимozzo Grigio	Couvre-Moyeu	Radkappe	
B6	22110492/0	2	Hub Cap Grey	Coprимozzo Grigio	Couvre-Moyeu	Radkappe	
A7	22110493/0	2	Hub Cap Grey	Coprимozzo Grigio	Couvre-Moyeu	Radkappe	
B7	22110494/0	2	Hub Cap Grey	Coprимozzo Grigio	Couvre-Moyeu	Radkappe	
A8	22110495/0	2	Hub Cap Grey	Coprимozzo Grigio	Couvre-Moyeu	Radkappe	
B8	22110496/0	2	Hub Cap Grey	Coprимozzo Grigio	Couvre-Moyeu	Radkappe	

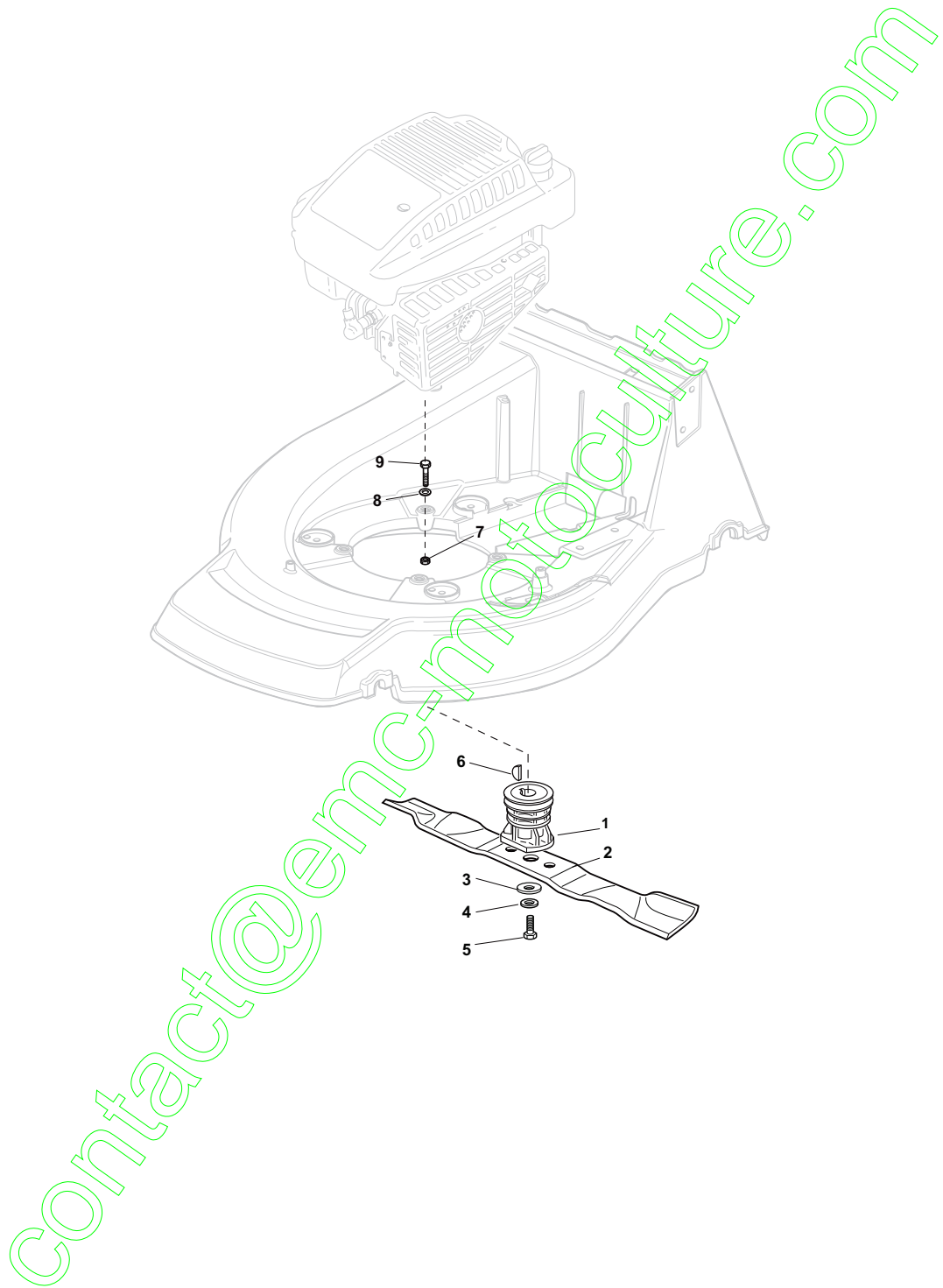
contact@emc-motocenter.com



POS	PART. NO	Q.ty	DESCRIPTION	DESCRIZIONE	DESCRIPTION	BESCHREIBUNG	REMARKS
1	122465638/1	1	Hub With Pulley, Crankshaft Ø 22	Mozzo Con Puleggia, Albero Motore Ø 22	Moyeu Avec Poulie, Arbre Moteur Ø 22	Nabe Mit Scheibe, Motorwelle Ø 22	GGP-B&S
1	122465639/1	1	Hub With Pulley, Crankshaft Ø 25	Mozzo Con Puleggia, Albero Motore Ø 25	Moyeu Avec Poulie, Arbre Moteur Ø 25	Nabe Mit Scheibe, Motorwelle Ø 25	Honda
2	81004381/1	1	Blade Standard	Coltello Standard	Lame Standard	Messer Standard	
2	81004383/0	1	Blade, Avs	Coltello, Avs	Lame, Avs	Messer, Avs	
3	22160400/0	1	Elastic Washer	Disco Elastico	Rondelle Elastique	Elastischescheibe	
4	12523080/0	1	Washer	Rosetta	Rondelle	Scheibe	
5	12736815/0	1	Screw	Vite	Vis	Schraube	
6	12139100/0	1	Feather, Crankshaft Ø 22.2	Linguetta, Albero Motore Ø 22.2	Clavette, Arbre Moteur Ø 22.2	Keil, Motorwelle Ø 22.2	GGP-B&S
6	12139150/0	1	Feather, Crankshaft Ø 25	Linguetta, Albero Motore Ø 25	Clavette, Arbre Moteur Ø 25	Keil, Motorwelle Ø 25	Honda
7	22207223/0	1	Flange	Flangia	Bride	Flansch	
8	22524329/0	3	Pin	Perno	Pivot	Bolzen	
9	22672201/0	3	Washer	Rosetta	Rondelle	Scheibe	
10	12729601/1	1	Screw	Vite	Vis	Schraube	
11	22450445/0	1	Spring	Molla	Ressort	Feder	
12	22250012/0	3	Grommet	Gommino	Caoutchouc	Gummi	
13	22671651/0	3	Washer	Rosetta	Rondelle	Scheibe	
14	12521350/0	3	Washer	Rosetta	Rondelle	Scheibe	
15	12155000/0	3	Nut	Dado	Ecrou	Mutter	
16	112735108/1	3	Screw	Vite	Vis	Schraube	

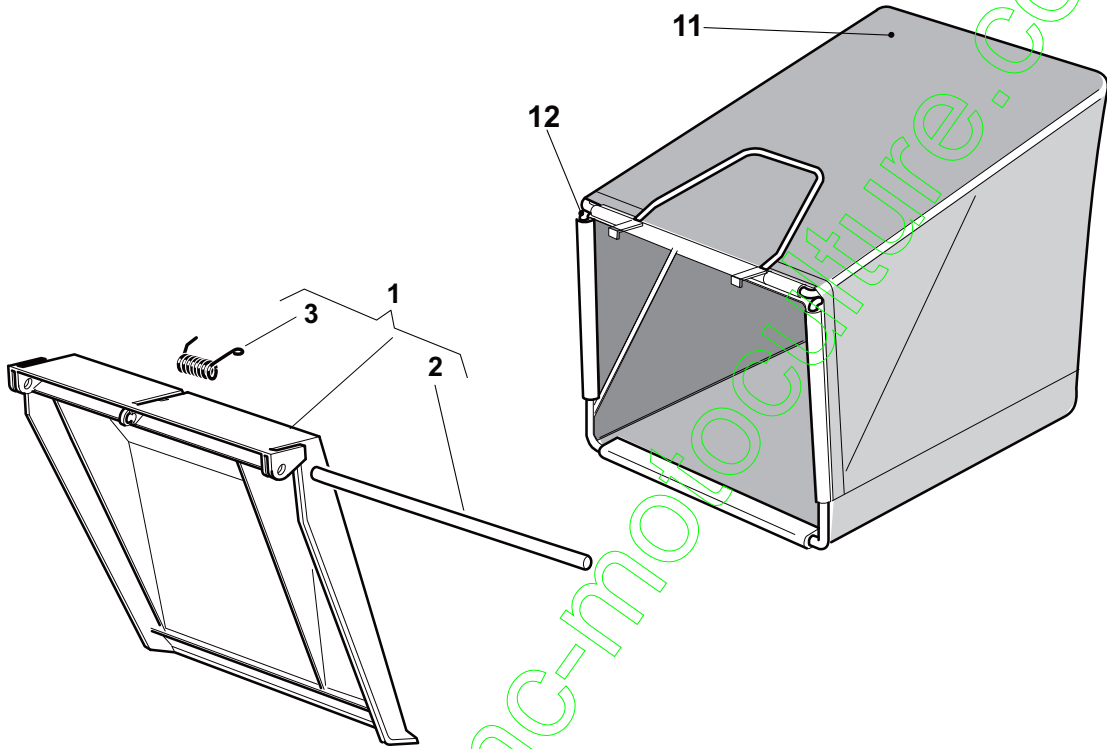


POS	PART. NO	Q.ty	DESCRIPTION	DESCRIZIONE	DESCRIPTION	BESCHREIBUNG	REMARKS
1	122601922/0	1	Pulley, Crankshaft Ø 22.2	Puleggia, Albero Motore Ø 22.2	Poulie, Arbre Moteur Ø 22.2	Scheibe, Motorwelle Ø 22.2	GGP-B&S
1	122601923/0	1	Pulley, Crankshaft Ø 25	Puleggia, Albero Motore Ø 25	Poulie, Arbre Moteur Ø 25	Scheibe, Motorwelle Ø 25	Honda
2	118399051/0	1	Mechanical Clutch	Ass. Frizione Meccanica	Embrayage Mecanique	Mechanische Kupplung	
3	12735460/0	1	Screw	Vite	Vis	Schraube	
4	181004382/0	1	Blade Standard	Coltello Standard	Lame Standard	Messer Standard	
5	12523070/0	2	Washer	Rosetta	Rondelle	Scheibe	
6	12794110/0	2	Screw	Vite	Vis	Schraube	
7	12154210/0	3	Nut	Dado	Ecrou	Mutter	
8	22170835/0	2	Spacer	Distanziale	Entretoise	Distanzring	
9	122170836/1	1	Spacer	Distanziale	Entretoise	Distanzring	
10	322170961/0	1	Protection	Protezione	Protection	Schutz	
11	12735664/0	2	Screw	Vite	Vis	Schraube	
12	322551665/0	1	Plate For Cable Fastening	Piastrina Fissaggio Cavo	Plaquette Fixage Câble	Platte Kabelbefestigung	
13	12154510/0	2	Nut	Dado	Ecrou	Mutter	
14	125580018/0	1	Pin	Perno	Pivot	Bolzen	
15	12155000/0	1	Nut	Dado	Ecrou	Mutter	
16	12735664/0	1	Screw	Vite	Vis	Schraube	
17	122446188/0	1	Spring	Molla	Ressort	Feder	
18	12692050/0	3	Screw	Vite	Vis	Schraube	B&S
18	12692080/0	3	Screw	Vite	Vis	Schraube	Honda
19	12521350/0	3	Washer	Rosetta	Rondelle	Scheibe	



POS	PART. NO	Q.ty	DESCRIPTION	DESCRIZIONE	DESCRIPTION	BESCHREIBUNG	REMARKS
1	122465607/3	1	Hub With Pulley, Crankshaft Ø 22	Mozzo Con Puleggia, Albero Motore Ø 22	Moyeu Avec Poulie, Arbre Moteur Ø 22	Nabe Mit Scheibe, Motorwelle Ø 22	GGP-B&S
1	122465608/2	1	Hub With Pulley, Crankshaft Ø 25	Mozzo Con Puleggia, Albero Motore Ø 25	Moyeu Avec Poulie, Arbre Moteur Ø 25	Nabe Mit Scheibe, Motorwelle Ø 25	Honda
2	81004383/0	1	Blade Standard	Coltello Standard	Lame Standard	Messer Standard	
3	22160400/0	1	Elastic Washer	Disco Elastico	Rondelle Elastique	Elastischescheibe	
4	12523080/0	1	Washer	Rosetta	Rondelle	Scheibe	
5	12735698/0	1	Screw	Vite	Vis	Schraube	
6	12139100/0	1	Feather, Crankshaft Ø 22.2	Linguetta, Albero Motore Ø 22.2	Clavette, Arbre Moteur Ø 22.2	Keil, Motorwelle Ø 22.2	GGP-B&S
6	12139150/0	1	Feather, Crankshaft Ø 25	Linguetta, Albero Motore Ø 25	Clavette, Arbre Moteur Ø 25	Keil, Motorwelle Ø 25	Honda
7	12155000/0	3	Nut	Dado	Ecrou	Mutter	
8	12521350/0	3	Washer	Rosetta	Rondelle	Scheibe	
9	12691800/0	2	Screw	Vite	Vis	Schraube	B&S
9	12692080/0	1	Screw	Vite	Vis	Schraube	B&S
9	12691900/0	3	Screw	Vite	Vis	Schraube	Honda-GGP

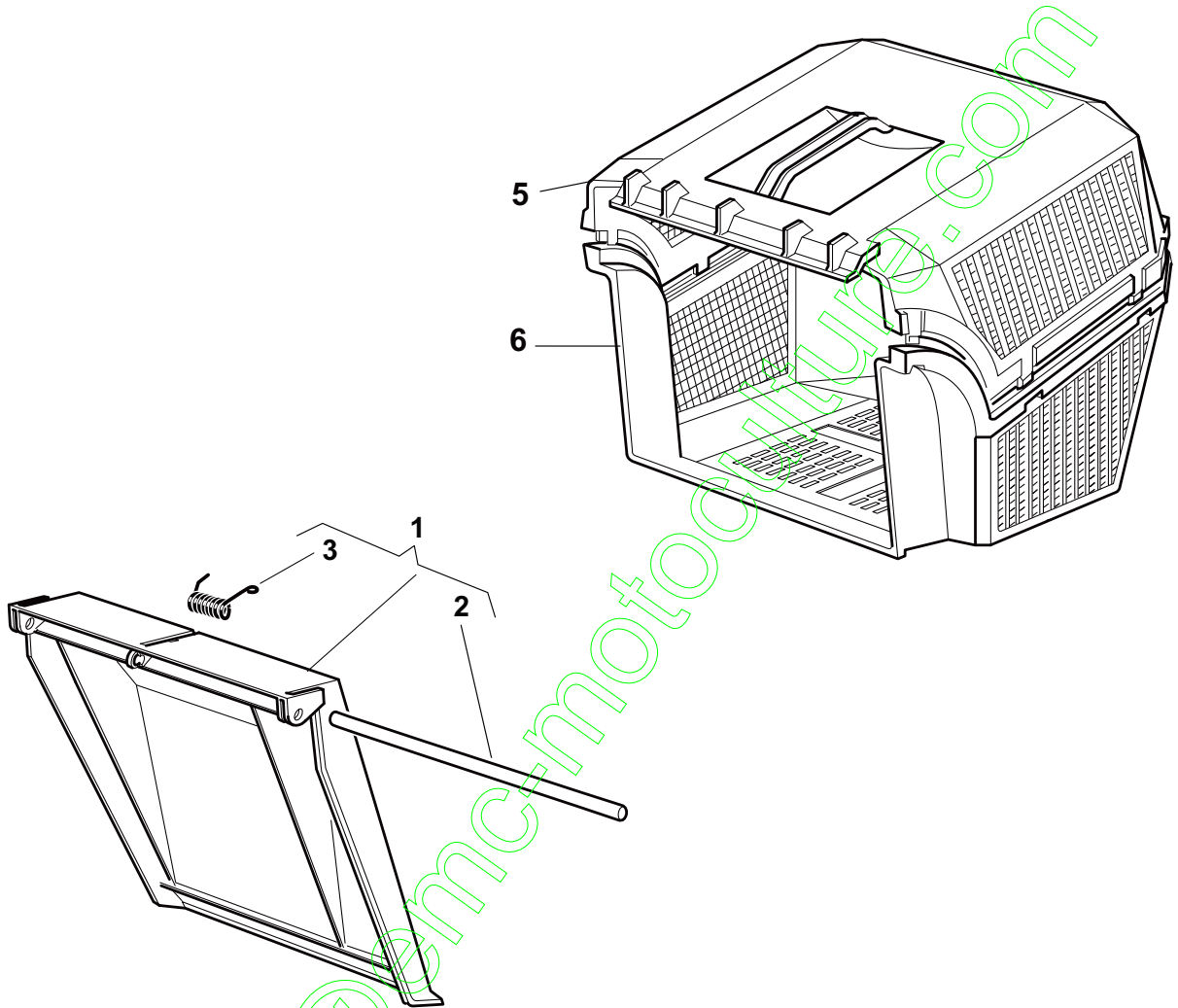
contact@emc-motoculture.com



contact@emc-motoculture.com

POS	PART. NO	Q.ty	DESCRIPTION	DESCRIZIONE	DESCRIPTION	BESCHREIBUNG	REMARKS
1	381008041/0	1	Stone-Guard	Parasassi	Pare-Pierres	Prallblech	
2	22517856/1	1	Pin	Perno	Pivot	Bolzen	
3	22450270/0	1	Spring	Molla	Ressort	Feder	
11	81002124/1	1	Box, Fabric	Sacco, Tela	Sac, Toile	Sack, Tuck	
12	81006430/0	1	Chassis Box	Telaio Sacco	Châssis Bac	Rahmen Sack	

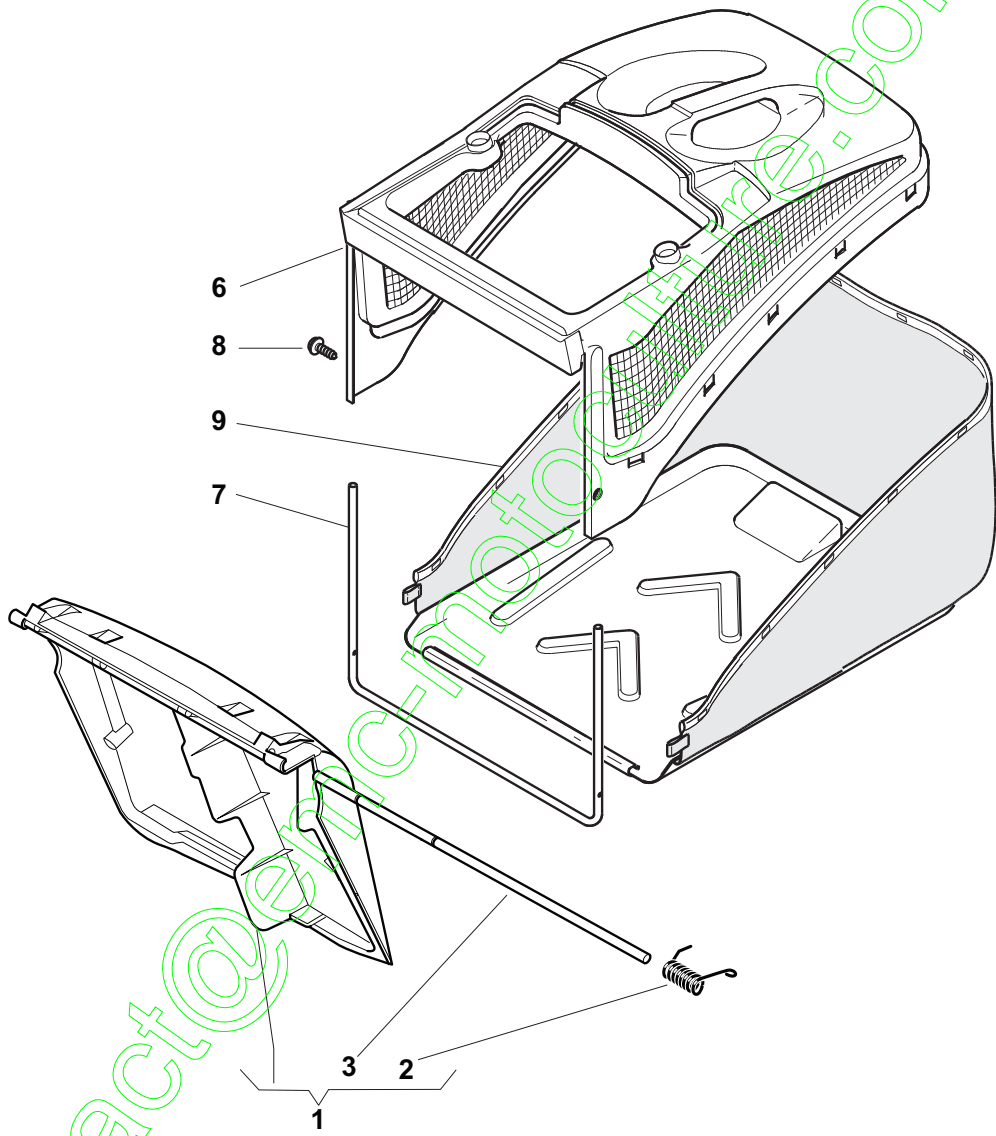
contact@enc-motoculture.com



POS	PART. NO	Q.ty	DESCRIPTION	DESCRIZIONE	DESCRIPTION	BESCHREIBUNG	REMARKS
1	381008041/0	1	Stone-Guard	Parasassi	Pare-Pierres	Prallblech	
2	22517856/1	1	Pin	Perno	Pivot	Bolzen	
3	22450270/0	1	Spring	Molla	Ressort	Feder	
5	22486065/0	1	Grass-Box, Upper	Sacco, Parte Sup	Sac, Partie Superieure	Korb, Oberteil	
6	22486064/0	1	Grass-Box, Lower	Sacco, Parte Inf	Sac, Partie Inferieure	Korb, Unterteil	

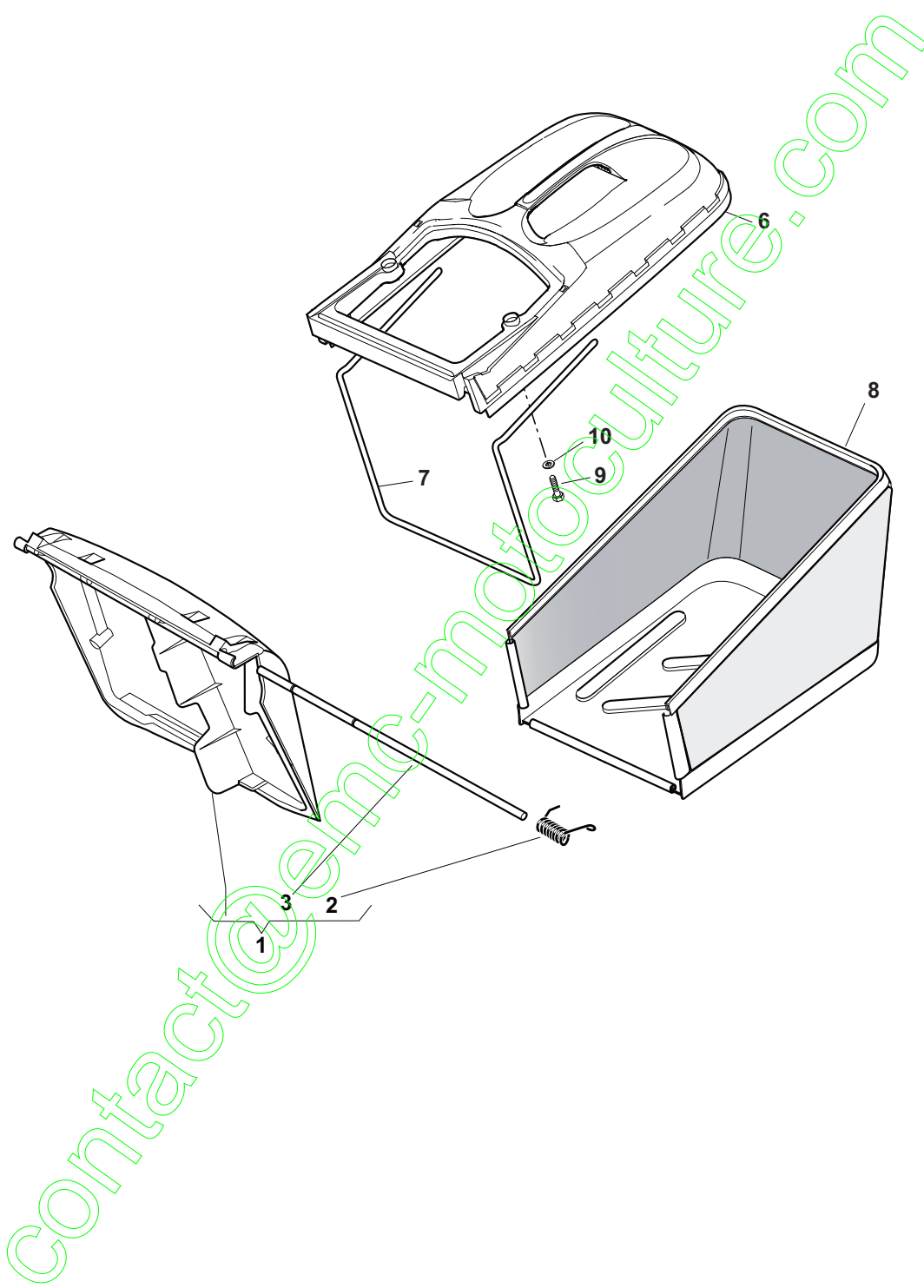
contact@enc-motoculture.com

contact@emc-photo.com



POS	PART. NO	Q.ty	DESCRIPTION	DESCRIZIONE	DESCRIPTION	BESCHREIBUNG	REMARKS
1	381008050/0	1	Stone-Guard	Parasassi	Pare-Pierres	Prallblech	
2	22451000/0	1	Spring	Molla	Ressort	Feder	
3	22517857/0	1	Pin	Perno	Pivot	Bolzen	
6	22486094/0	1	Grass-Box, Upper	Sacco, Parte Sup	Sac, Partie	Korb, Oberteil	
7	22608524/0	1	Stiffening Lower	Rinforzo Inf	Réinforcement Inf	Verstärkung	
8	12728445/0	2	Screw	Vite	Vis	Schraube	
9	81002196/0	1	Box, Fabric	Sacco, Tela	Sac, Toile	Sack, Tuck	

contact@enc-motoculture.com



POS	PART. NO	Q.ty	DESCRIPTION	DESCRIZIONE	DESCRIPTION	BESCHREIBUNG	REMARKS
1	381008050/0	1	Stone-Guard	Parasassi	Pare-Pierres	Prallblech	
2	22451000/0	1	Spring	Molla	Ressort	Feder	
3	22517857/0	1	Pin	Perno	Pivot	Bolzen	
6	22486102/0	1	Grass-Box, Upper	Sacco, Parte Sup	Sac, Partie	Korb, Oberteil	
7	22608526/0	1	Stiffening Lower	Rinforzo Inf	Réinforcement Inf	Verstärkung	
8	81002212/0	1	Box, Fabric	Sacco, Tela	Sac, Toile	Sack, Tuck	
9	12728680/0	2	Screw	Vite	Vis	Schraube	
10	12523050/0	2	Washer	Rosetta	Rondelle	Scheibe	

contact@emc-motoculture.com