

# Genuine Spare Parts

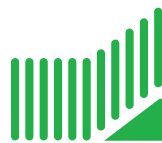
Catalogo delle parti di ricambio  
Spare parts catalogue  
Catalogue des pieces de rechange  
Ersatzteilkatalog

## 2008

- Use GLOBAL GARDEN PRODUCT Genuine Spare Parts specified in the parts list for repair and/or replacement.
- The contents described in the parts list may change due to improvement.
- The drawings of the spare parts are only indicative and might not represent the part in question exactly.
- The indications "right" - "left" - "front" - "rear" refer to the position of the operator when using the machine.
- When placing orders of parts for repair and/or replacement, make sure that the illustrated parts list is the one applying to the machine's year of manufacture, as shown on the identification plate attached to the machine.

COPYRIGHT by GLOBAL GARDEN PRODUCTS

All rights reserved. No part of this material may be reproduced or transmitted, in any form or by any means, electronic or mechanical, including photocopying, recording or by any information storage and retrieval system, without permission in writing from GLOBAL GARDEN PRODUCTS.



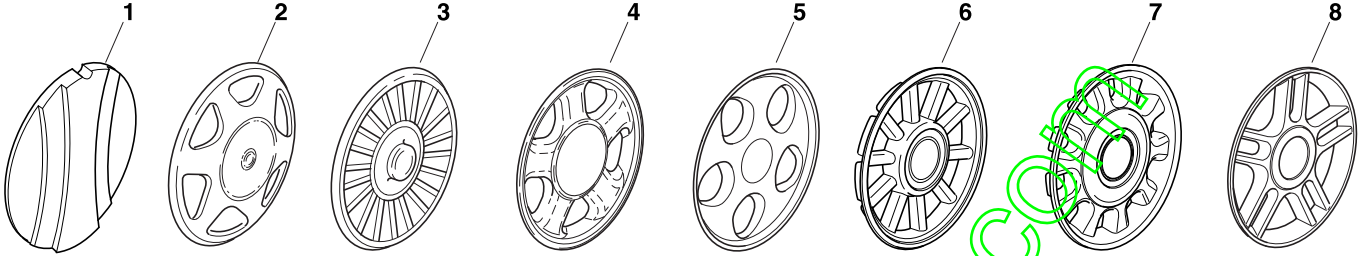
**GLOBAL GARDEN PRODUCTS**

# ENCLOSURE 1

2008

001.0

1 / 1



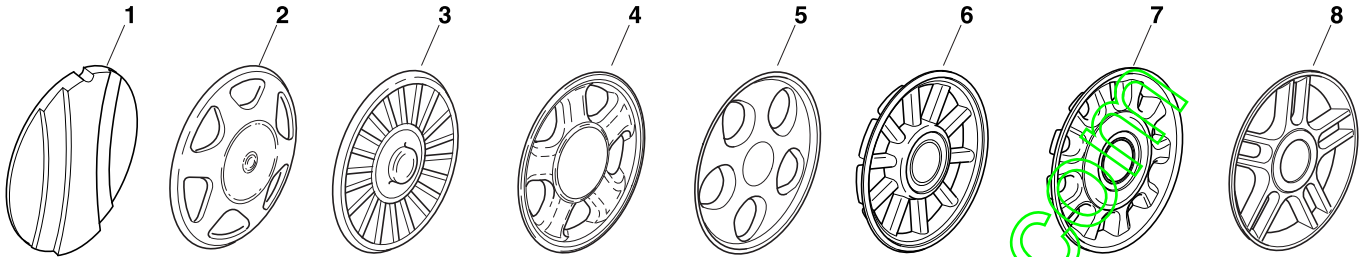
POS.	CODE	Q.TY	DESCRIZIONE	DESCRIPTION	DESCRIPTION	BESCHREIBUNG	REMARKS
1	22110252/1		COPRIMOZZO BIANCO	HUB CAP WHITE	COUVRE-MOYEU	RADKAPPE WEISSE	
-	22110254/1		COPRIMOZZO GIALLO	HUB CAP YELLOW	COUVRE-MOYEU	RADKAPPE GELBE	
-	22110255/1		COPRIMOZZO ROSSO	HUB CAP RED	COUVRE-MOYEU	RADKAPPE ROTE	
2	22110344/0		COPRIMOZZO BIANCO	HUB CAP WHITE	COUVRE-MOYEU	RADKAPPE WEIÙE	
-	22110395/0		COPRIMOZZO GRIGIO	HUB CAP GREY	COUVRE-MOYEU GRIS	RADKAPPE GRAU	
3	22110347/0		COPRIMOZZO GRIGIO	HUB CAP GREY	COUVRE-MOYEU GRIS	RADKAPPE GRAU	
4	22110381/0		COPRIMOZZO GRIGIO	HUB CAP GREY	COUVRE-MOYEU GRIS	RADKAPPE GRAU	
5	22110416/0		COPRIMOZZO GRIGIO	HUB CAP GREY	COUVRE-MOYEU GRIS	RADKAPPE GRAU	
6	22110495/0		COPRIMOZZO GRIGIO	HUB CAP GREY	COUVRE-MOYEU GRIS	RADKAPPE GRAU	
7	22110493/0		COPRIMOZZO GRIGIO	HUB CAP GREY	COUVRE-MOYEU GRIS	RADKAPPE GRAU	
8	22110491/0		COPRIMOZZO GRIGIO	HUB CAP GREY	COUVRE-MOYEU GRIS	RADKAPPE GRAU	

# ENCLOSURE 2

2008

002.0

1 / 1



POS.	CODE	Q.TY	DESCRIZIONE	DESCRIPTION	DESCRIPTION	BESCHREIBUNG	REMARKS
1	22110251/0		COPRIMOZZO BIANCO	HUB CAP WHITE	COUVRE-MOYEU	RADKAPPE WEISSE	
-	22110253/0		COPRIMOZZO GIALLO	HUB CAP YELLOW	COUVRE-MOYEU	RADKAPPE GELBE	
-	22110256/0		COPRIMOZZO ROSSO	HUB CAP RED	COUVRE-MOYEU	RADKAPPE ROTE	
2	22110313/0		COPRIMOZZO BIANCO	HUB CAP WHITE	COUVRE-MOYEU	RADKAPPE WEIßE	
-	22110314/0		COPRIMOZZO GRIGIO	HUB CAP GREY	COUVRE-MOYEU GRIS	RADKAPPE GRAU	
3	22110348/0		COPRIMOZZO GRIGIO	HUB CAP GREY	COUVRE-MOYEU GRIS	RADKAPPE GRAU	
4	22110382/0		COPRIMOZZO GRIGIO	HUB CAP GREY	COUVRE-MOYEU GRIS	RADKAPPE GRAU	
5	22110417/0		COPRIMOZZO GRIGIO	HUB CAP GREY	COUVRE-MOYEU GRIS	RADKAPPE GRAU	
6	22110496/0		COPRIMOZZO GRIGIO	HUB CAP GREY	COUVRE-MOYEU GRIS	RADKAPPE GRAU	
7	22110494/0		COPRIMOZZO GRIGIO	HUB CAP GREY	COUVRE-MOYEU GRIS	RADKAPPE GRAU	
8	22110492/0		COPRIMOZZO GRIGIO	HUB CAP GREY	COUVRE-MOYEU GRIS	RADKAPPE GRAU	

www.emc-motoculture.com

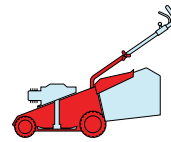
# NP 534

TR

TR/E

TR 3S

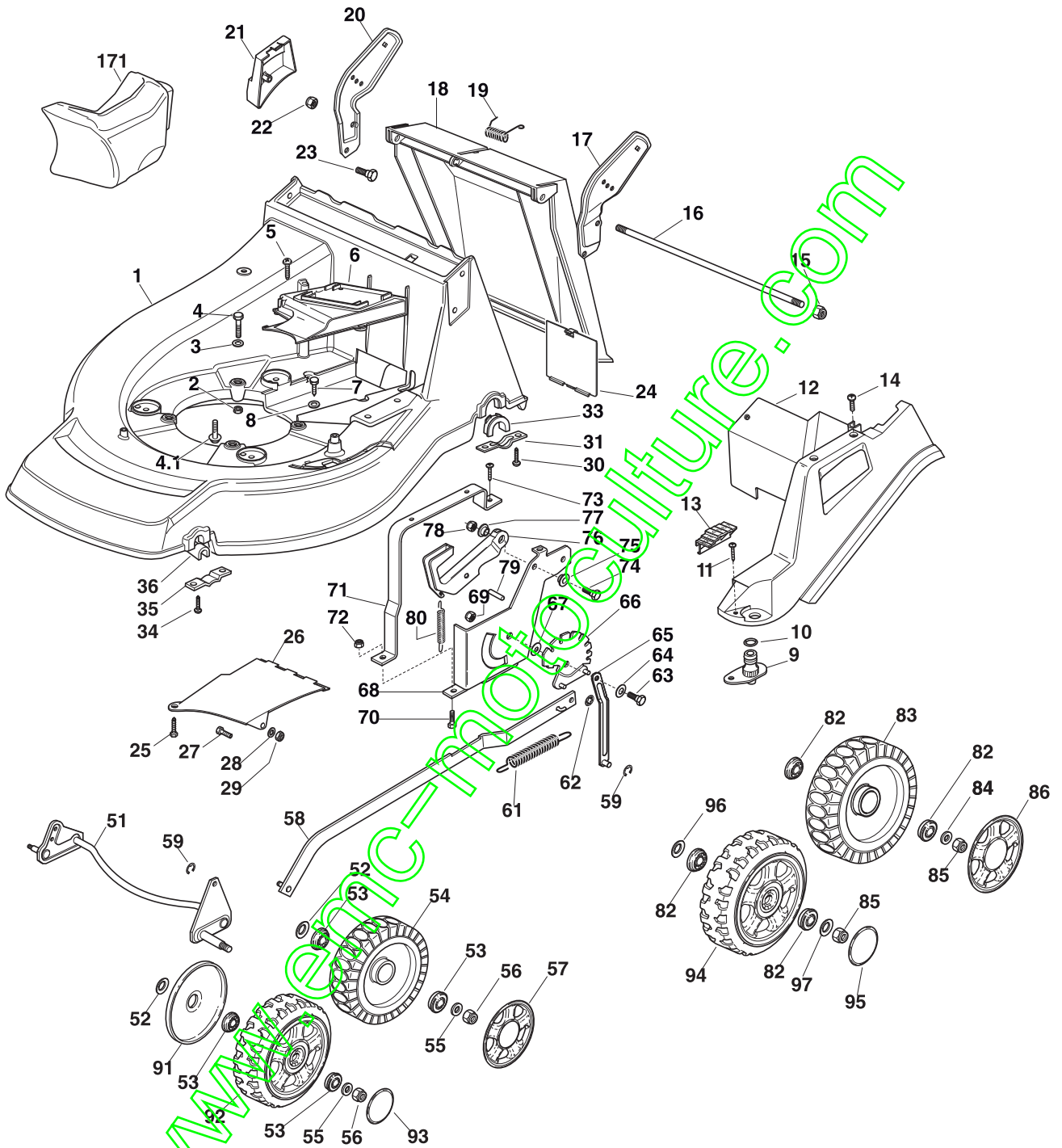
TR/E 3S



2008

841.0

1 / 3



POS.	CODE	Q.TY	DESCRIZIONE	DESCRIPTION	DESCRIPTION	BESCHREIBUNG	REMARKS
1	81003543/0	1	CHASSIS ROSSO	DECK RED	CHÂSSIS ROUGE	GEHÄUSE ROT	
2	12155000/0	3	DADO	NUT	ECROU	MUTTER	
3	12521350/0	3	ROSETTA	WASHER	RONDELLE	SCHEIBE	
4	12691800/0	2	VITE	SCREW	VIS	SCHRAUBE	(B&S)
-	12692080/0	1	VITE	SCREW	VIS	SCHRAUBE	(B&S)
-	12691900/0	3	VITE	SCREW	VIS	SCHRAUBE	(GGP)
4,1	112735108/1	3	VITE	SCREW	VIS	SCHRAUBE	(HONDA)

POS.	CODE	Q.Q.TY	DESCRIZIONE	DESCRIPTION	DESCRIPTION	BESCHREIBUNG	REMARKS
5	12728522/0	2	VITE	SCREW	VIS	SCHRAUBE	
6	22060200/1	1	CARTER CINGHIA	PROTECTION, BELT	PROTECTION	SCHUTZ, RIEMEN	
7	12729600/0	1	VITE	SCREW	VIS	SCHRAUBE	
8	12523040/0	2	ROSETTA	WASHER	RONDELLE	SCHEIBE	
9	22034000/0	1	ATTACCO ACQUA LAVAGGIO	WASHING CONNECTION	ATTAQUE LAVAGE	WASCHENVERBINDUNG	
10	19035000/0	1	ANELLO OR	OR RING	BAGUE OR	RING OR	
11	12728519/0	3	VITE	SCREW	VIS	SCHRAUBE	
12	322060144/2	1	CARTER REGOLAZIONE	DECK, ADJUSTMENT	CHÂSSIS REGLAGE	GEHÄUSE	
13	22570200/0	1	PLACCHETTA POSIZIONI	PLATE, CUTTING POSITIONS	PLAQUETTE REGLAGE	PLATTE, HÖHEVERSTELLUNG	
14	12728520/0	1	VITE	SCREW	VIS	SCHRAUBE	
15	12155000/0	2	DADO	NUT	ECROU	MUTTER	
16	22517856/1	1	PERNO	PIN	PIVOT	BOLZEN	
17	22778397/1	1	STAFFA SX	BRACKET, L	BRIDE G	PRATZE, LINKE	
18	22600023/2	1	PARASASSI	STONE-GUARD	PARE-PIERRES	FRÄHBLAUCH	
19	22450270/0	1	MOLLA	SPRING	RESSORT	FEDER	
20	22778396/1	1	STAFFA DX	BRACKET, R	BRIDE D	PRATZE, RECHTE	
21	22601001/0	1	PROTEZIONE	PROTECTION	PROTECTION	SCHUTZ	
22	12155000/0	2	DADO	NUT	ECROU	MUTTER	
23	12793301/0	2	VITE	SCREW	VIS	SCHRAUBE	
24	22595352/0	1	PORTINA CHIUSURA	INSPECTION DOOR	VOYANT DE VISITE	ABDECKPLATTE	
25	12729600/0	1	VITE	SCREW	VIS	SCHRAUBE	
26	22108205/0	1	CONVOGLIATORE	CONVEYOR	CONVOYEUR	KONVEYOR	
27	12789000/0	1	VITE	SCREW	VIS	SCHRAUBE	
28	12523020/0	1	ROSETTA	WASHER	RONDELLE	SCHEIBE	
29	12154330/0	1	DADO	NUT	ECROU	MUTTER	
30	12731350/0	4	VITE	SCREW	VIS	SCHRAUBE	
31	22545147/0	2	PIASTRINA	PLATE	PLAQUETTE	PLATTE	
33	22038407/0	2	BRONZINA	BRASS	DOUILLE	BUCHSE	
34	12731350/0	4	VITE	SCREW	VIS	SCHRAUBE	
35	22545156/0	2	PIASTRINA	PLATE	PLAQUETTE	PLATTE	
36	22038400/1	2	BRONZINA	BRASS	DOUILLE	BUCHSE	
51	81002801/1	1	ASSE RUOTE ANTERIORI	AXLE, FRONT WHEELS	AXE ROUES AVANT	ACHSE, VORDERRAD	
52	12530150/0	2	ROSETTA ELASTICA	ELASTIC WASHER	RONDELLE ELASTIQUE	ELASTISCHE SCHEIBE	
53	22122200/0	4	CUSCINETTO	BEARING	COUSSINET	LAGER	
54	81007317/0	2	RUOTA Ø 170	WHEEL Ø 170	ROUE Ø 170	RAD. Ø 170	
55	12369500/0	2	ROSETTA	WASHER	RONDELLE	SCHEIBE	
56	12155000/0	2	DADO	NUT	ECROU	MUTTER	
57	-	2	COPRIMOZZO	HUB CAP	COUVRE-MOYEU	RADKAPPE	(SEE ENCLOSURE 1)
58	81001134/0	1	ASTA COMANDO REGOL. ALTEZZA	ROD, HEIGHT ADJUSTMENT	TIGE COMMANDE REGLAGE HAUTEUR	STANGE, HÖHEVERSTELLUNG	(B&S - GGP)
-	81001136/0	1	ASTA COMANDO REGOL. ALTEZZA	ROD, HEIGHT ADJUSTMENT	TIGE COMMANDE REGLAGE HAUTEUR	STANGE, HÖHEVERSTELLUNG	(HONDA)
59	12000930/0	2	ANELLO ELASTICO	SNAP RING	ANNEAU RESSORT	SPRENGRING	
61	22446180/0	1	MOLLA	SPRING	RESSORT	FEDER	
62	12604899/0	2	FISSATORE A CORONA	CROWN FASTENER	FIXATEUR A	KRONESCHEIBE	
63	22529662/0	1	PERNO FULCRO	FULCRUM PIN	PIVOT	BOLZEN	
64	22672151/0	1	ROSETTA	WASHER	RONDELLE	SCHEIBE	
65	81001269/0	1	ASTA ASSE POSTERIORE	ROD, REAR WHEELS AXLE	TIGE, AXE ROUE ARRIERES	STANGE, HINTERRADACHSE	
66	381000479/1	1	SETTORE REGOLAZIONE ALTEZZA	SECTOR, HEIGHT ADJUSTMENT	SECTEUR REGLAGE HAUTEUR	SEKTOR, HÖHEVERSTELLUNG	

POS.	CODE	Q.TY	DESCRIZIONE	DESCRIPTION	DESCRIPTION	BESCHREIBUNG	REMARKS
67	22672152/0	1	ROSETTA	WASHER	RONDELLE	SCHEIBE	
68	22785109/0	1	SUPPORTO REGOLAZIONE ALTEZZA	SUPPORT, HEIGHT ADJUSTMENT	SUPPORT REGLAGE	HALTER, HÖHEVERSTELLUNG	
69	12293201/0	1	DADO	NUT	ECROU	MUTTER	
70	12793301/0	2	VITE	SCREW	VIS	SCHRAUBE	
71	22785113/0	1	SUPPORTO MANIGLIA	SUPPORT, HANDLE	SUPPORT POIGNÉE	HALTER, GRIFF	
72	12293201/0	2	DADO	NUT	ECROU	MUTTER	
73	12729600/0	1	VITE	SCREW	VIS	SCHRAUBE	
74	12793301/0	1	VITE	SCREW	VIS	SCHRAUBE	
75	25038002/1	2	BUSSOLA	BUSH	DOUILLE	BUCHSE	
76	22393611/1	1	MANIGLIA	HANDLE	POIGNÉE	GRIFF	
78	12293201/0	1	DADO	NUT	ECROU	MUTTER	
79	12622640/0	1	SPINA	PIN	GOUPILLE	STIFT	
80	22446175/0	1	MOLLA	SPRING	RESSORT	FEDER	
81	12530150/0	2	ROSETTA ELASTICA	ELASTIC WASHER	RONDELLE ELASTIQUE	ELASTISCHE SCHEIBE	
82	22122200/0	4	CUSCINETTO	BEARING	COUSSINET	LAGER	
83	81007318/1	2	RUOTA Ø 210	WHEEL Ø 210	ROUE Ø 210	RAD. Ø 210	
84	12521350/0	2	ROSETTA	WASHER	RONDELLE	SCHEIBE	
85	12155000/0	2	DADO	NUT	ECROU	MUTTER	
86	-	2	COPRIMOZZO	HUB CAP	COUVRE-MOYEU	RADKAPPE	(SEE ENCLOSURE 2)
91	22600144/0	2	PROTEZIONE	PROTECTION	PROTECTION	SCHUTZ	
92	81007376/0	2	RUOTA Ø 170	WHEEL Ø 170	ROUE Ø 170	RAD. Ø 170	
93	22110418/0	2	COPRIMOZZO	HUB CAP	COUVRE-MOYEU	RADKAPPE	
94	81007382/0	2	RUOTA Ø 210	WHEEL Ø 210	ROUE Ø 210	RAD. Ø 210	
95	22110419/0	2	COPRIMOZZO	HUB CAP	COUVRE-MOYEU	RADKAPPE	
96	22675100/0	2	ROSETTA	WASHER	RONDELLE	SCHEIBE	
97	22675100/0	2	ROSETTA	WASHER	RONDELLE	SCHEIBE	
171	22140224/0	1	TAPPO	CAP	BOUCHON	GUMMISTOPFEN	

# NP 534

2008

841a.0

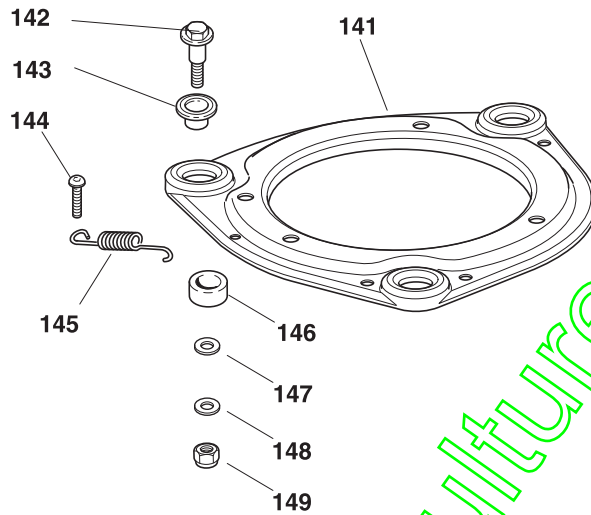
1 / 1

TR

TR/E

TR 3S

TR/E 3S



POS.	CODE	Q.TY	DESCRIZIONE	DESCRIPTION	DESCRIPTION	BESCHREIBUNG	REMARKS
141	22207223/0	1	FLANGIA	FLANGE	BRIDE	FLANSCH	
142	22524329/0	3	PERNO	PIN	PIVOT	BOLZEN	
143	22672201/0	3	ROSETTA	WASHER	RONDELLE	SCHEIBE	
144	12729601/1	1	VITE	SCREW	VIS	SCHRAUBE	
145	22450445/0	1	MOLLA	SPRING	RESSORT	FEDER	
146	22250012/0	3	GOMMINO	GROMMET	CAOUTCHOUC	GUMMI	
147	22671651/0	3	ROSETTA	WASHER	RONDELLE	SCHEIBE	
148	12521350/0	3	ROSETTA	WASHER	RONDELLE	SCHEIBE	
149	12155000/0	3	DADO	NUT	ECROU	MUTTER	

NP 534

2008

841b.0

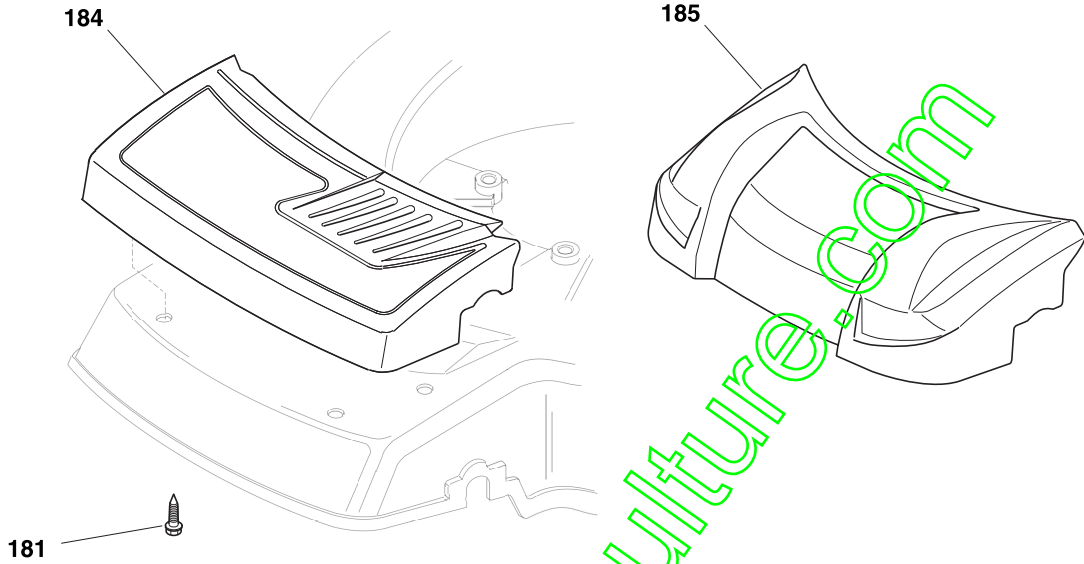
1 / 1

TR

TR/E

TR 3S

TR/E 3S



POS.	CODE	Q.TY	DESCRIZIONE	DESCRIPTION	DESCRIPTION	BESCHREIBUNG	REMARKS
181	12735420/0	4	VITE	SCREW	VIS	SCHRAUBE	
184	22226050/0	1	MASCHERINA, NERO	MASK, BLACK	MESQUE, NOIR	MASKE, SCHWARZ	
185	322226112/1	1	MASCHERINA, GRIGIO	MASK, GREY	MESQUE, GRIS	MASKE, GRAU	



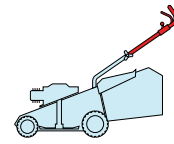
# NP 534

TR

TR/E

TR 3S

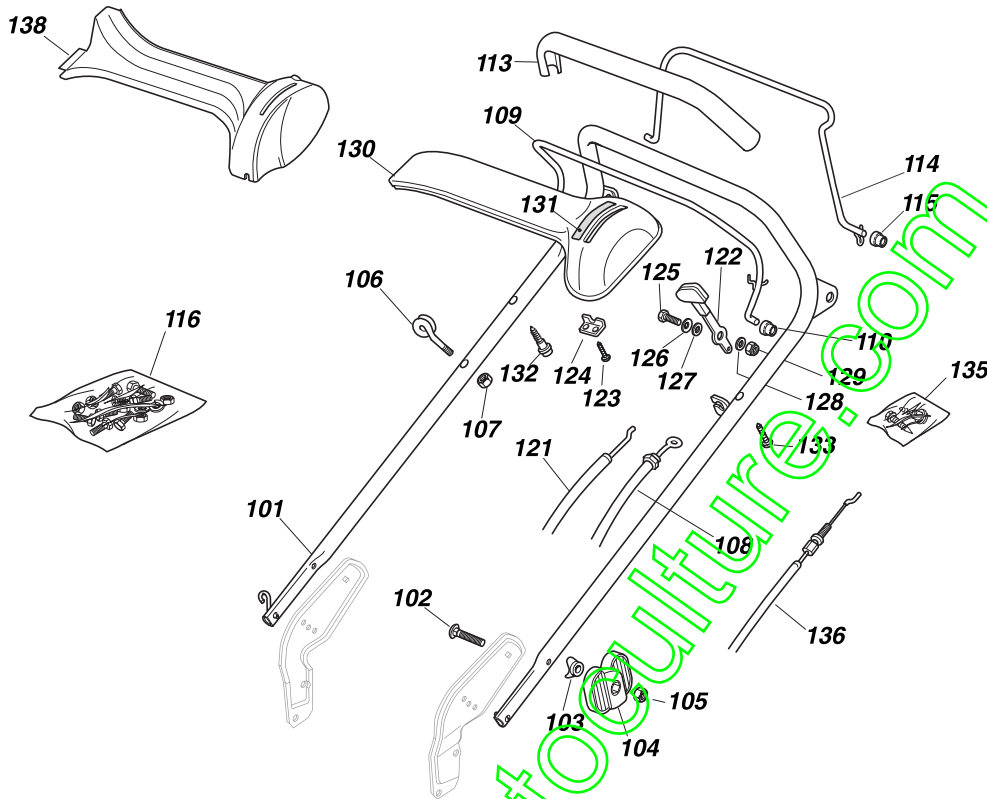
TR/E 3S



2008

842.0

1 / 2



POS.	CODE	Q.TY	DESCRIZIONE	DESCRIPTION	DESCRIPTION	BESCHREIBUNG	REMARKS
101	81006861/0	1	MANICO, PARTE SUP	HANDLE, UPPER PART	MANCHERON, PARTIE SUPERIEURE	HOLM, OBERTEIL	
102	12819120/0	2	VITE	SCREW	VIS	SCHRAUBE	
103	22680006/1	2	ROSETTA	WASHER	RONDELLE	SCHEIBE	
104	22399803/0	2	MANOPOLINA	KNOB	POIGNÉE	GRIFF	
105	12293200/0	2	DADO	NUT	ECROU	MUTTER	
106	22430309/0	1	MOLLA GUIDA	GUIDE SPRING	RESSORT DE GUIDE	FEDER FÜHRER	
107	12154330/0	1	DADO	NUT	ECROU	MUTTER	
108	81000757/0	1	CAVO FRENO MOTORE BRAKE	CABLE, THREAD ENGINE BRAKE	CABLE FREIN MOTEUR	KABEL, MOTORBREMSE	(B&S 675 series)
-	81000634/0	1	CAVO FRENO MOTORE BRAKE	CABLE, THREAD ENGINE BRAKE	CABLE FREIN MOTEUR	KABEL, MOTORBREMSE	534 TR/E (B&S 675 series ES)
-	181030006/0	1	CAVO FRENO MOTORE BRAKE	CABLE, THREAD ENGINE BRAKE	CABLE FREIN MOTEUR	KABEL, MOTORBREMSE	(B&S 700 series)
-	81000616/1	1	CAVO FRENO MOTORE BRAKE	CABLE, THREAD ENGINE BRAKE	CABLE FREIN MOTEUR	KABEL, MOTORBREMSE	(HONDA)
-	81000616/1	1	CAVO FRENO MOTORE BRAKE	CABLE, THREAD ENGINE BRAKE	CABLE FREIN MOTEUR	KABEL, MOTORBREMSE	(GGP 160cc)
-	81000616/1	1	CAVO FRENO MOTORE BRAKE	CABLE, THREAD ENGINE BRAKE	CABLE FREIN MOTEUR	KABEL, MOTORBREMSE	(GGP 200cc)
109	81003291/3	1	LEVA FRENO MOTORE	LEVER, ENGINE BRAKE	LEVIER FREIN MOTEUR	HEBEL, MOTORBREMSE	
110	22041966/0	2	BUSSOLA	BUSH	DOUILLE	BUCHSE	
111	12728518/0	1	VITE	SCREW	VIS	SCHRAUBE	
112	22806612/0	1	SUPPORTO	SUPPORT	SUPPORT	HALTER	
113	22291050/0	1	IMPUGNATURA MANICO NERA	HANDGRIP BLACK	POIGNÉE NOIRE	HANDGRIFF SCHWARZ	
114	81003288/1	1	LEVA TRAZIONE	LEVER, DRIVING	LEVIER TRACTION	HEBEL, ANTRIEB	
115	22041965/1	2	BUSSOLA	BUSH	DOUILLE	BUCHSE	

POS.	CODE	Q.TY	DESCRIZIONE	DESCRIPTION	DESCRIPTION	BESCHREIBUNG	REMARKS
116	81008610/0	1	DOTAZIONE VITERIA	OUTFIT, SCREWS	DOTATION VISSERIE	SATZ, SCHRAUBEN	
121	81007160/0	1	CAVO ACCELERATORE	THROTTLE CABLE	CABLE, ACCELERATEUR	GASHEBEL KABEL	
122	81007280/2	1	LEVA, ACCELERATORE	LEVER, THROTTLE	LEVIER,	HEBEL, BESHLEUNIGER	(B&S 625/650/675 series - HONDA - GGP 160/200 cc)
-	81007221/0	1	LEVA, ACCELERATORE	LEVER, THROTTLE	LEVIER,	HEBEL, BESHLEUNIGER	(B&S 450/500 series - GGP 150 cc)
123	12735105/0	2	VITE	SCREW	VIS	SCHRAUBE	
124	22981467/0	1	PIASTRINA	PLATE	PLAQUETTE	PLATTE	
125	12791500/0	1	VITE	SCREW	VIS	SCHRAUBE	
126	12530060/0	1	ROSETTA ELASTICA	ELASTIC WASHER	RONDELLE ELASTIQUE	ELASTISCHE SCHEIBE	
127	12523040/0	1	ROSETTA	WASHER	RONDELLE	SCHEIBE	
128	12523040/0	1	ROSETTA	WASHER	RONDELLE	SCHEIBE	
129	12154510/0	1	DADO	NUT	ECROU	MUTTER	
130	22120152/0	1	CRUSCOTTO GIALLO	DASH BOARD YELLOW	CONSOLE JAUNE	KONSOLE GELBE	
-	22120154/0	1	CRUSCOTTO ROSSO	DASH BOARD RED	CONSOLE ROUGE	KONSOLE ROTE	
-	22120158/0	1	CRUSCOTTO NERO	DASH BOARD BLACK	CONSOLE NOIRE	KONSOLE SCHWARZE	
131	114356744/1	1	ETICHETTA	LABEL	ETIQUETTE	ETIKETTE	(B&S)
-	114356743/1	1	ETICHETTA	LABEL	ETIQUETTE	ETIKETTE	(HONDA - GGP)
132	22943006/0	1	VITE	SCREW	VIS	SCHRAUBE	
133	12728460/0	1	VITE	SCREW	VIS	SCHRAUBE	
135	81008609/0	1	DOTAZIONE VITERIA CRUSCOTTO	OUTFIT, DASH-BOARD SCREWS	DOTATION VISSERIE CONSOLE	SATZ, KONSOLE SCHRAUBEN	
136	81000673/0	1	CAVO COMANDO TRAZIONE	CABLE, REAR DRIVE	CÂBLE, COMMANDE TRACTION	KABEL, ANTRIEB	(BI. CI. DI.)
-	81000669/0	1	CAVO COMANDO TRAZIONE	CABLE, REAR DRIVE	CÂBLE, COMMANDE TRACTION	KABEL, ANTRIEB	(GENERAL TRANSMISSION)
138	22120172/0	1	CRUSCOTTO NERO	DASH BOARD BLACK	CONSOLE NOIRE	KONSOLE SCHWARZE	
-	22120173/0	1	CRUSCOTTO ROSSO	DASH BOARD RED	CONSOLE ROUGE	KONSOLE ROTE	
-	22120174/0	1	CRUSCOTTO GIALLO	DASH BOARD YELLOW	CONSOLE JAUNE	KONSOLE GELBE	

www.emc-motoculture.com

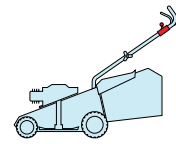
# NP 534

TR

TR/E

TR 3S

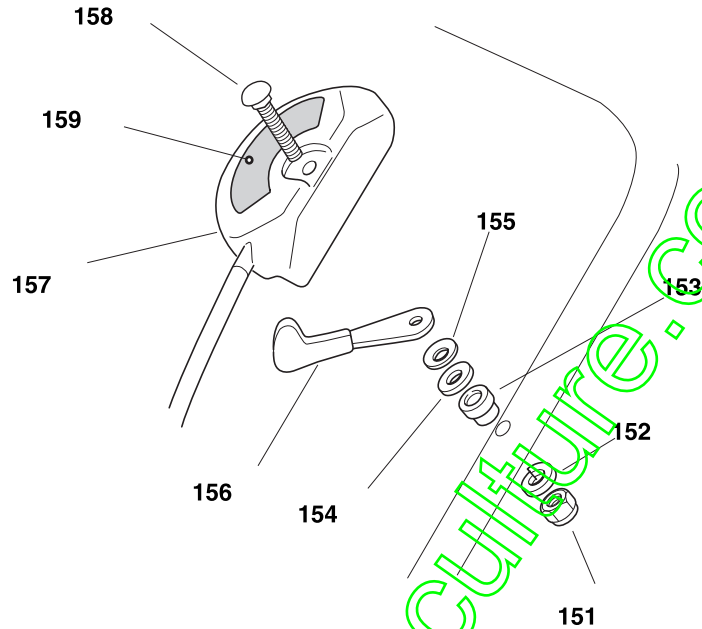
TR/E 3S



2008

842a.0

1 / 1



POS.	CODE	Q.TY	DESCRIZIONE	DESCRIPTION	DESCRIPTION	BESCHREIBUNG	REMARKS
151	12291000/0	1	DADO	NUT	ECROU	MUTTER	.
152	12581500/0	1	GROWER	GROWER	GROWER	FEDERRING	.
153	22171005/0	1	DISTANZIALE	SPACER	ENTRETOISE	DISTANZRING	.
154	12521360/0	1	ROSETTA	WASHER	RONDELLE	SCHEIBE	.
155	12508100/0	1	ROSETTA ELASTICA	SPRING WASHER	RONDELLE ELASTIQUE	ELASTISCHE SCHEIBE	.
156	81007279/1	1	LEVA, ACCELERATORE	LEVER, THROTTLE	LEVIER, ACCELERATEUR	HEBEL, BESHLEUNIGER	(B&S 625/650/675 series - HONDA - GGP 160/200 cc)
-	81007220/0	1	LEVA, ACCELERATORE	LEVER, THROTTLE	LEVIER, ACCELERATEUR	HEBEL, BESHLEUNIGER	(B&S 450/500 series - GGP 150 cc)
157	81007080/0	1	CAVO ACCELERATORE	THROTTLE CABLE	CABLE, ACCELERATEUR	GASHEBEL KABEL	.
158	12815000/0	1	VITE	SCREW	VIS	SCHRAUBE	.
159	14356703/0	1	ETICHETTA	LABEL	ETIQUETTE	ETIKETTE	(B&S)
-	14356702/0	1	ETICHETTA	LABEL	ETIQUETTE	ETIKETTE	(HONDA - GGP)

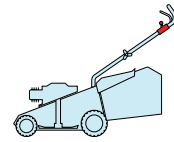
NP 534

TR

TR/E

TR 3S

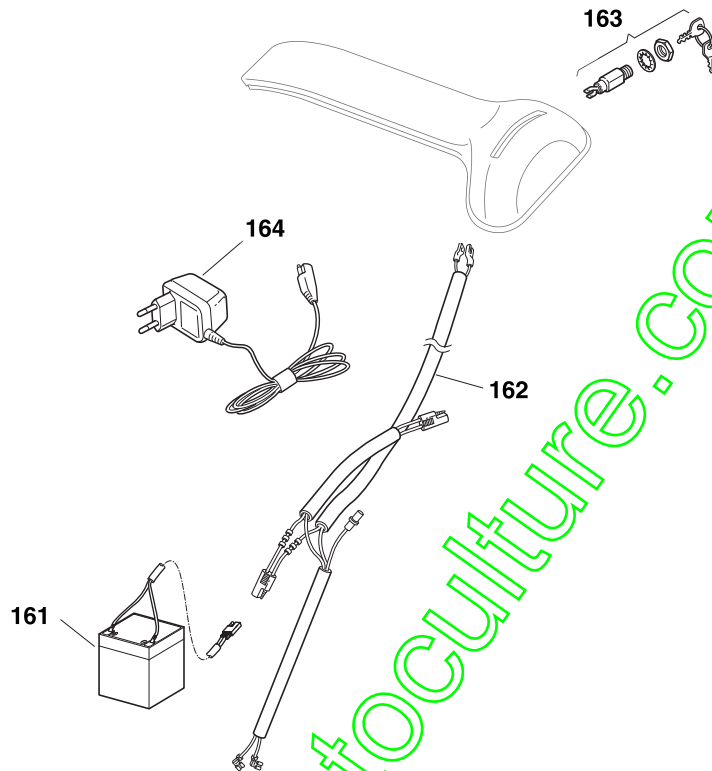
TR/E 3S



2008

842b.0

1 / 1



POS.	CODE	Q.TY	DESCRIZIONE	DESCRIPTION	DESCRIPTION	BESCHREIBUNG	REMARKS
161	18120052/0	1	BATTERIA	BATTERY	BATTERIE	BATTERIE	
162	118204192/3	1	CAVO AVVIAMENTO	CABLE, START	CABLE DÉMARRAGE	KABEL, START	(B&S - GGP)
-	18204198/0	1	CAVO AVVIAMENTO	CABLE, START	CABLE DÉMARRAGE	KABEL, START	(HONDA)
163	18450050/0	1	INTERRUTTORE	SWITCH	INTERRUPTEUR	SCHALTER	
164	18204120/0	1	CARICA BATTERIA	BATTERY CHARGER	CHARGEUR DE	LADGERÄT	
-	18204121/0	1	CARICA BATTERIA	BATTERY CHARGER	CHARGEUR DE	LADGERÄT	(UK)

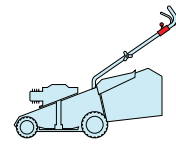
# NP 534

TR

TR/E

TR 3S

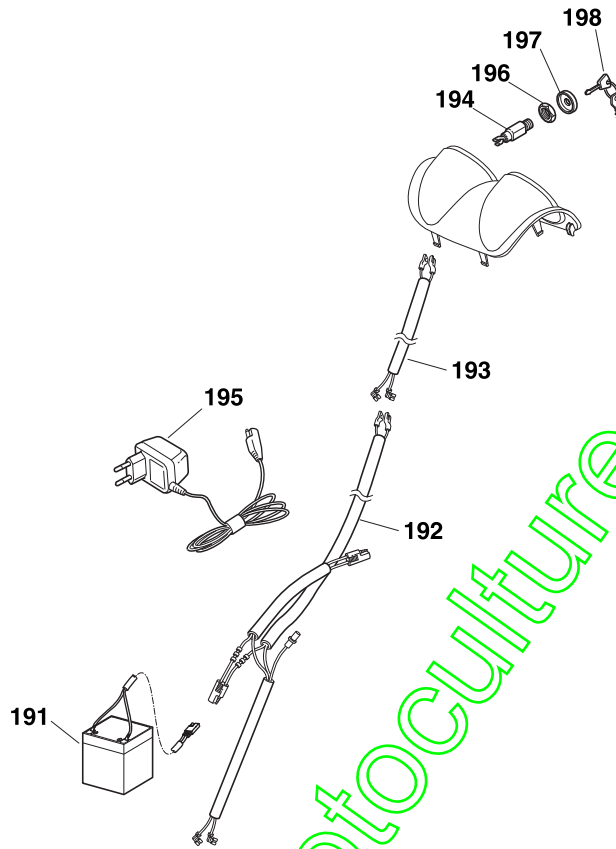
TR/E 3S



2008

842c.0

1 / 1



POS.	CODE	Q.TY	DESCRIZIONE	DESCRIPTION	DESCRIPTION	BESCHREIBUNG	REMARKS
191	18120052/0	1	BATTERIA	BATTERY	BATTERIE	BATTERIE	
192	118204192/3	1	CAVO AVVIAMENTO	CABLE, START	CABLE DÉMARRAGE	KABEL, START	(B&S - GGP)
-	18204198/0	1	CAVO AVVIAMENTO	CABLE, START	CABLE DÉMARRAGE	KABEL, START	(HONDA)
193	18204199/0	1	CAVO	CABLE	CABLE	KABEL	
194	18450050/0	1	INTERRUPTORE	SWITCH	INTERRUPTEUR	SCHALTER	
195	18204120/0	1	CARICA BATTERIA	BATTERY CHARGER	CHARGEUR DE	LADGERÄT	
-	18204121/0	1	CARICA BATTERIA	BATTERY CHARGER	CHARGEUR DE	LADGERÄT	(UK)
196	18400861/0	1	GHIERA	RINGNUT	EMBOUT	NUTMUTTER	
197	18565351/0	1	PROTEZIONE GHIERA	RINGNUT PROTECTION	PROTECTION EMBOUT	NUTMUTTER SCHUTZ	
198	18210016/1	1	CHIAVE AVVIAMENTO	STARTING KEY	CLEF A DEMARRAGE	SCHLÜSSEL FÜR START	

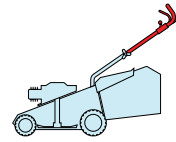
# NP 534

TR

TR/E

TR 3S

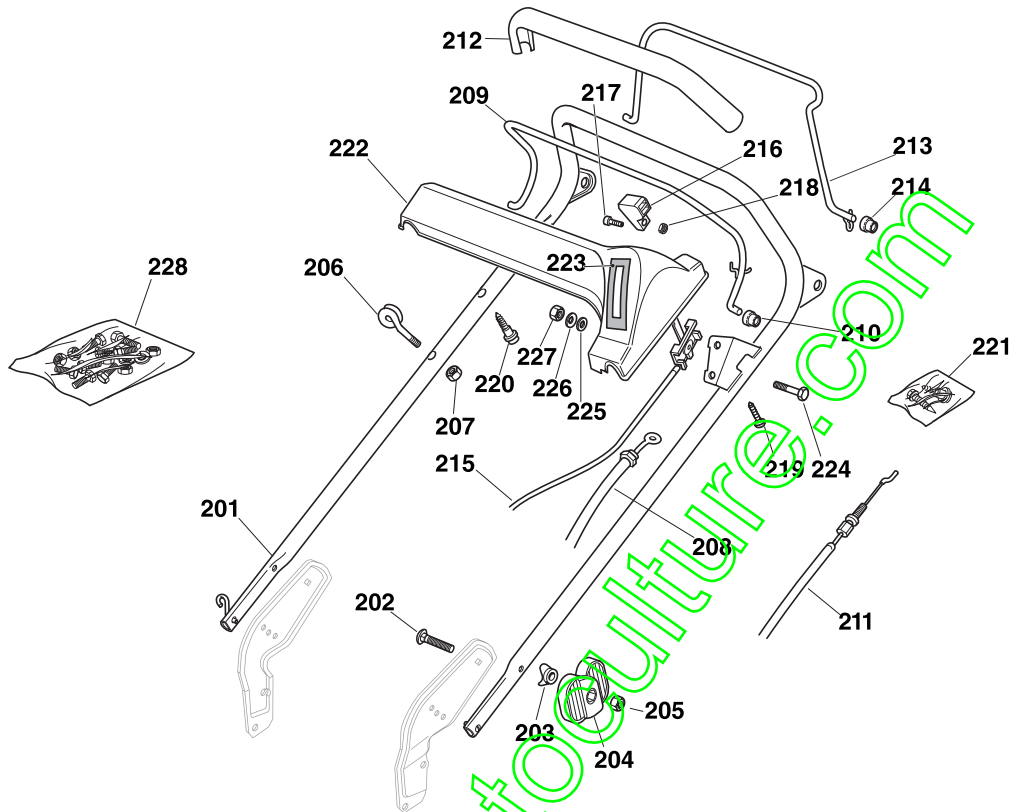
TR/E 3S



2008

842d.0

1 / 2



POS.	CODE	Q.TY	DESCRIZIONE	DESCRIPTION	DESCRIPTION	BESCHREIBUNG	REMARKS
201	81007028/1	1	MANICO, PARTE SUP	HANDLE, UPPER PART	MANCHERON, PARTIE SUPERIEURE	HOLM, OBERTEIL	
202	12819120/0	2	VITE	SCREW	VIS	SCHRAUBE	
203	22680006/1	2	ROSETTA	WASHER	RONDELLE	SCHEIBE	
204	22399803/0	2	MANOPOLINA	KNOB	POIGNÉE	GRIFF	
205	12293200/0	2	DADO	NUT	ECROU	MUTTER	
206	22430309/0	1	MOLLA GUIDA	GUIDE SPRING	RESSORT DE GUIDE	FEDER FÜHRER	
207	12154330/0	1	DADO	NUT	ECROU	MUTTER	
208	81000757/0	1	CAVO FRENO MOTORE	CABLE, THREAD ENGINE BRAKE	CABLE FREIN MOTEUR	KABEL, MOTORBREMSE	(B&S 675 series)
-	81000634/0	1	CAVO FRENO MOTORE	CABLE, THREAD ENGINE BRAKE	CABLE FREIN MOTEUR	KABEL, MOTORBREMSE	534 TR/E (B&S 675 series ES)
-	181030006/0	1	CAVO FRENO MOTORE	CABLE, THREAD ENGINE BRAKE	CABLE FREIN MOTEUR	KABEL, MOTORBREMSE	(B&S 700 series)
-	81000616/1	1	CAVO FRENO MOTORE	CABLE, THREAD ENGINE BRAKE	CABLE FREIN MOTEUR	KABEL, MOTORBREMSE	(HONDA)
-	81000616/1	1	CAVO FRENO MOTORE	CABLE, THREAD ENGINE BRAKE	CABLE FREIN MOTEUR	KABEL, MOTORBREMSE	(GGP 160cc)
-	81000616/1	1	CAVO FRENO MOTORE	CABLE, THREAD ENGINE BRAKE	CABLE FREIN MOTEUR	KABEL, MOTORBREMSE	(GGP 200cc)
209	81003291/3	1	LEVA FRENO MOTORE	LEVER, ENGINE BRAKE	LEVIER FREIN MOTEUR	HEBEL, MOTORBREMSE	
210	22041966/0	2	BUSSOLA	BUSH	DOUILLE	BUCHSE	
211	81000673/0	1	CAVO COMANDO TRAZIONE	CABLE, REAR DRIVE	CÂBLE, COMMANDE TRACTION	KABEL, ANTRIEB	(BI. CI. DI.)
-	81000669/0	1	CAVO COMANDO TRAZIONE	CABLE, REAR DRIVE	CÂBLE, COMMANDE TRACTION	KABEL, ANTRIEB	(GENERAL TRANSMISSION)
212	22291050/0	1	IMPUGNATURA MANICO NERA	HANDGRIP BLACK	POIGNÉE NOIRE	HANDGRIFF SCHWARZ	
213	81003288/1	1	LEVA TRAZIONE	LEVER, DRIVING	LEVIER TRACTION	HEBEL, ANTRIEB	

POS.	CODE	Q.Q.TY	DESCRIZIONE	DESCRIPTION	DESCRIPTION	BESCHREIBUNG	REMARKS
214	22041965/1	2	BUSSOLA	BUSH	DOUILLE	BUCHSE	
215	81007091/0	1	CAVO ACCELERATORE	THROTTLE CABLE	CABLE, ACCELERATEUR	GASHEBEL KABEL	(B&S)
-	81007092/0	1	CAVO ACCELERATORE	THROTTLE CABLE	CABLE, ACCELERATEUR	GASHEBEL KABEL	(HONDA - GGP)
216	22399801/0	1	MANOPOLINA	KNOB	POIGNÉE	GRIFF	
217	12726388/0	1	VITE	SCREW	VIS	SCHRAUBE	
218	12290800/0	1	DADO	NUT	ECROU	MUTTER	
219	12728460/0	1	VITE	SCREW	VIS	SCHRAUBE	
220	22943006/0	1	VITE	SCREW	VIS	SCHRAUBE	
221	81008499/1	1	DOTAZIONE VITERIA CRUSCOTTO	OUTFIT, DASH-BOARD SCREWS	DOTATION VISSERIE CONSOLLE	SATZ, KONSOLE SCHRAU- BEN	
222	22120148/0	1	CRUSCOTTO GIALLO	DASH BOARD YELLOW	CONSOLE JAUNE	KONSOLE GELBE	
-	22120150/0	1	CRUSCOTTO ROSSO	DASH BOARD RED	CONSOLE ROUGE	KONSOLE ROTE	
-	22120164/0	1	CRUSCOTTO NERO	DASH BOARD BLACK	CONSOLE NOIRE	KONSOLE SCHWARZE	
223	14361477/0	1	ETICHETTA	LABEL	ETIQUETTE	ETIKETTE	(GGP)
-	14356693/0	1	ETICHETTA	LABEL	ETIQUETTE	ETIKETTE	(B&S)
-	14356692/0	1	ETICHETTA	LABEL	ETIQUETTE	ETIKETTE	(HONDA)
224	12788910/0	2	VITE	SCREW	VIS	SCHRAUBE	
225	12523020/0	2	ROSETTA	WASHER	RONDELLE	SCHEIBE	
226	12581500/0	2	GROWER	GROWER	GROWER	FEDERRING	
227	12291000/0	2	DADO	NUT	ECROU	MUTTER	
228	81008610/0	1	DOTAZIONE VITERIA	OUTFIT, SCREWS	DOTATION VISSERIE	SATZ, SCHRAUBEN	

www.emc-motoculture.com

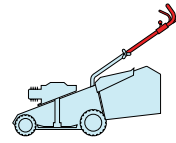
# NP 534

TR

TR/E

TR 3S

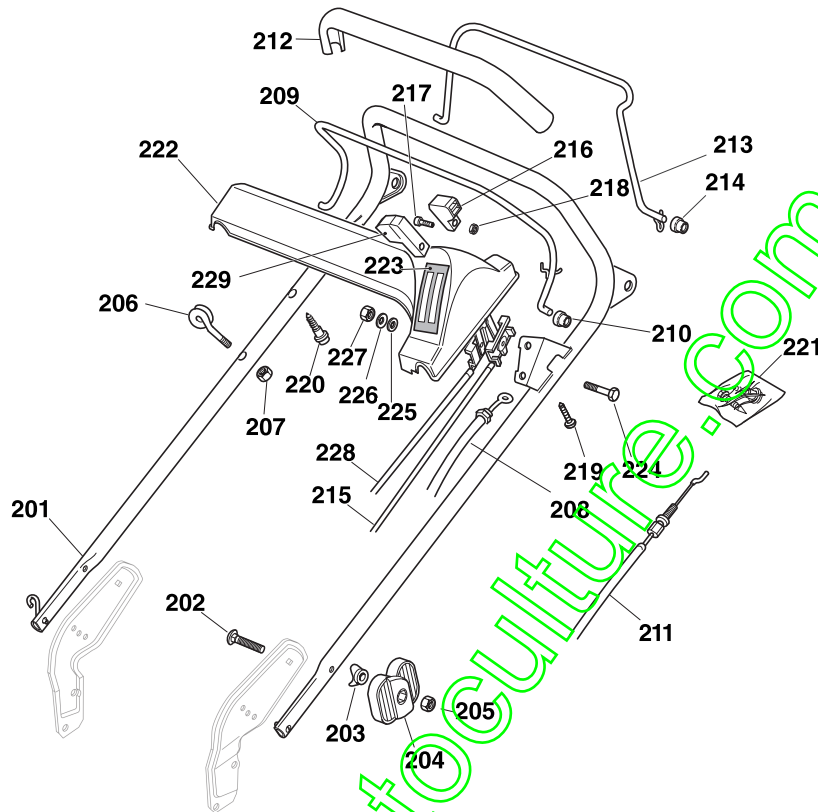
TR/E 3S



2008

842e.0

1 / 2



POS.	CODE	Q.TY	DESCRIZIONE	DESCRIPTION	DESCRIPTION	BESCHREIBUNG	REMARKS
201	81007028/1	1	MANICO, PARTE SUP	HANDLE, UPPER PART	MANCHERON, PARTIE SUPERIEURE	HOLM, OBERTEIL	
202	12819120/0	2	VITE	SCREW	VIS	SCHRAUBE	
203	22680006/1	2	ROSETTA	WASHER	RONDELLE	SCHEIBE	
204	22399803/0	2	MANOPOLINA	KNOB	POIGNÉE	GRIFF	
205	12293200/0	2	DADO	NUT	ECROU	MUTTER	
206	22430309/0	1	MOLLA GUIDA	GUIDE SPRING	RESSORT DE GUIDE	FEDER FÜHRER	
207	12154330/0	1	DADO	NUT	ECROU	MUTTER	
208	81000631/0	1	CAVO FRENO MOTORE	CABLE, THREAD ENGINE BRAKE	CABLE FREIN MOTEUR	KABEL, MOTORBREMSE	(B&S)
-	81000616/1	1	CAVO FRENO MOTORE	CABLE, THREAD ENGINE BRAKE	CABLE FREIN MOTEUR	KABEL, MOTORBREMSE	(HONDA)
-	81000634/0	1	CAVO FRENO MOTORE	CABLE, THREAD ENGINE BRAKE	CABLE FREIN MOTEUR	KABEL, MOTORBREMSE	(GGP 200cc)
209	81003291/3	1	LEVA FRENO MOTORE	LEVER, ENGINE BRAKE	LEVIER FREIN MOTEUR	HEBEL, MOTORBREMSE	
210	22041966/0	2	BUSSOLA	BUSH	DOUILLE	BUCHSE	
211	81000670/0	1	CAVO COMANDO TRAZIONE	CABLE, REAR DRIVE	CÂBLE, COMMANDE TRACTION	KABEL, ANTRIEB	
212	22291050/0	1	IMPUGNATURA MANICO NERA	HANDGRIP BLACK	POIGNÉE NOIRE	HANDGRIFF SCHWARZ	
213	81003288/1	1	LEVA TRAZIONE	LEVER, DRIVING	LEVIER TRACTION	HEBEL, ANTRIEB	
214	22041965/1	2	BUSSOLA	BUSH	DOUILLE	BUCHSE	
215	81007091/0	1	CAVO ACCELERATORE	THROTTLE CABLE	CABLE, ACCELERATEUR	GASHEBEL KABEL	(B&S)
-	81007092/0	1	CAVO ACCELERATORE	THROTTLE CABLE	CABLE, ACCELERATEUR	GASHEBEL KABEL	(HONDA - GGP)
216	22399801/0	1	MANOPOLINA	KNOB	POIGNÉE	GRIFF	
217	12726388/0	2	VITE	SCREW	VIS	SCHRAUBE	
218	12290800/0	2	DADO	NUT	ECROU	MUTTER	



POS.	CODE	Q.Q.TY	DESCRIZIONE	DESCRIPTION	DESCRIPTION	BESCHREIBUNG	REMARKS
219	12728460/0	1	VITE	SCREW	VIS	SCHRAUBE	
220	22943006/0	1	VITE	SCREW	VIS	SCHRAUBE	
221	81008499/1	1	DOTAZIONE VITERIA CRUSCOTTO	OUTFIT, DASH-BOARD SCREWS	DOTATION VISSERIE CONSOLLE	SATZ, KONSOLE SCHRAUBEN	
222	22120148/0	1	CRUSCOTTO GIALLO	DASH BOARD YELLOW	CONSOLE JAUNE	KONSOLE GELBE	
-	22120150/0	1	CRUSCOTTO ROSSO	DASH BOARD RED	CONSOLE ROUGE	KONSOLE ROTE	
-	22120164/0	1	CRUSCOTTO NERO	DASH BOARD BLACK	CONSOLE NOIRE	KONSOLE SCHWARZE	
223	14356795/0	1	ETICHETTA	LABEL	ETIQUETTE	ETIKETTE	(B&S)
-	14361303/0	1	ETICHETTA	LABEL	ETIQUETTE	ETIKETTE	(GGP)
-	14356797/0	1	ETICHETTA	LABEL	ETIQUETTE	ETIKETTE	(HONDA)
224	12788910/0	2	VITE	SCREW	VIS	SCHRAUBE	
225	12523020/0	2	ROSETTA	WASHER	RONDELLE	SCHEIBE	
226	12581500/0	2	GROWER	GROWER	GROWER	FEDERRING	
227	12291000/0	2	DADO	NUT	ECROU	MUTTER	
228	81007099/0	1	CAVO COMANDO MARCE	CABLE, SPEED DRIVE CONTROL	CABLE, COMM. CHANGE-MENT VITESSE	KABEL, GÄNGESCHALTUNG	
229	22399802/0	1	MANOPOLINA	KNOB	POIGNÉE	GRIF	

www.emc-motoculture.com

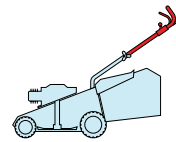
# NP 534

TR

TR/E

TR 3S

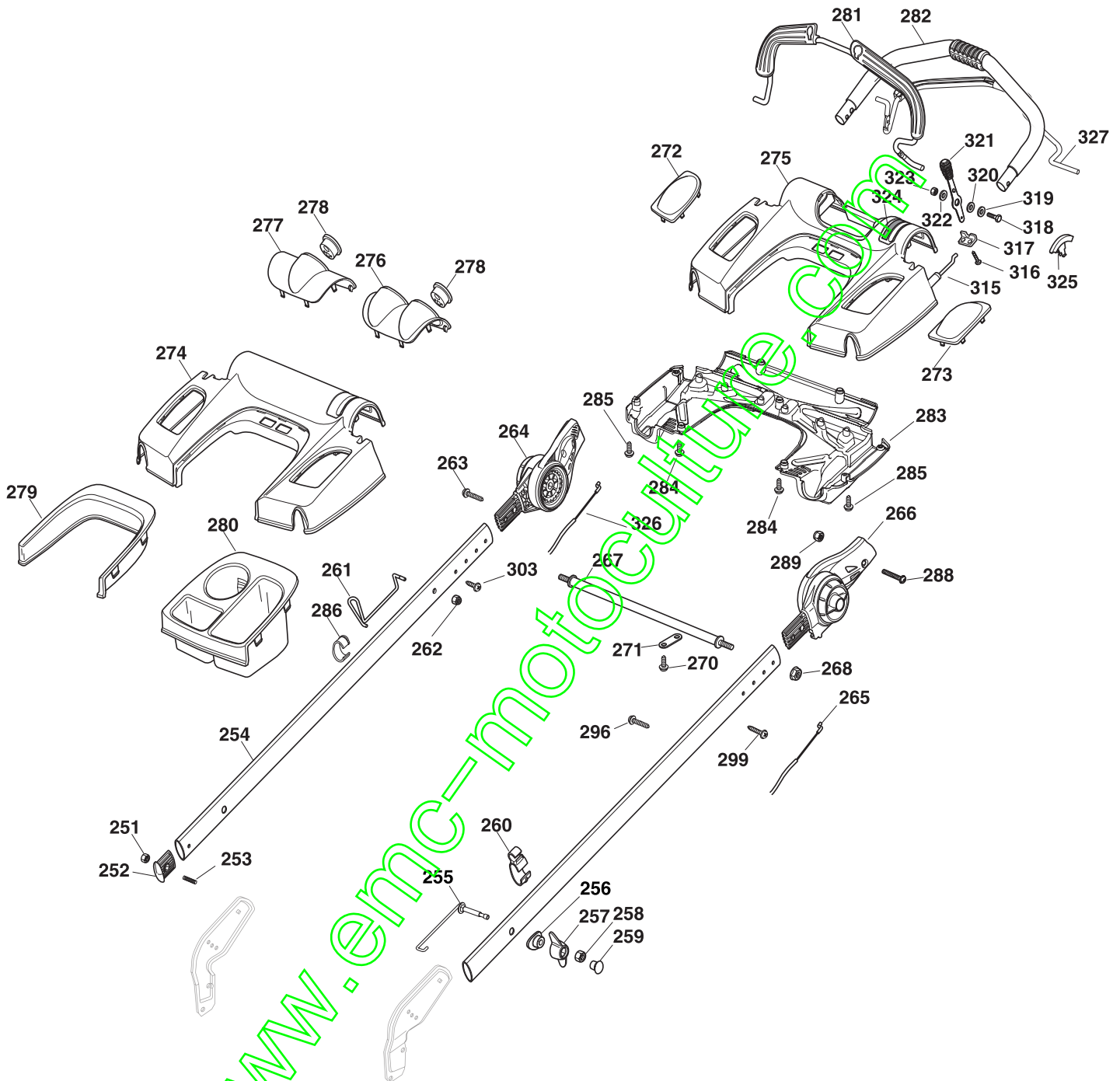
TR/E 3S



2008

842f.0

1 / 3



POS.	CODE	Q.TY	DESCRIZIONE	DESCRIPTION	DESCRIPTION	BESCHREIBUNG	REMARKS
251	12154510/0	2	DADO	NUT	ECROU	MUTTER	
252	22820071/0	2	PUNTALE	CAP	BOUCHON	GUMMISTOPFEN	
253	12789450/0	2	VITE	SCREW	VIS	SCHRAUBE	
254	322498105/1	2	MANICO	HANDLE	MANCHERON	HOLM	
255	381003805/0	2	MOLLA GUIDA	SPRING	RESSORT	FEDER	
256	22680012/0	2	ROSETTA	WASHER	RONDELLE	SCHEIBE	
257	22399821/0	2	MANOPOLINA	KNOB	POIGNÉE	GRIFF	
258	12293200/0	2	DADO	NUT	ECROU	MUTTER	

POS.	CODE	Q.Q.TY	DESCRIZIONE	DESCRIPTION	DESCRIPTION	BESCHREIBUNG	REMARKS
259	322820072/1	2	TAPPO	CAP	BOUCHON	STOPFEN	
260	22192003/0	1	FERMACAVO	FAIRLEAD	FIXATION CABLE	KABELBEFESTIGUNG	
261	122430316/1	1	MOLLA GUIDA	SPRING	RESSORT	FEDER	
262	12154330/0	1	DADO	NUT	ECROU	MUTTER	
263	12728698/0	1	VITE	SCREW	VIS	SCHRAUBE	
264	381745003/0	1	SNODO	JOINT	JOINT	GELENK	
265	81000752/0	1	CAVO FRENO MOTORE	CABLE, THREAD ENGINE BRAKE	CABLE FREIN MOTEUR	KABEL, MOTORBREMSE	(B&S 675 series)
-	81000751/0	1	CAVO FRENO MOTORE	CABLE, THREAD ENGINE BRAKE	CABLE FREIN MOTEUR	KABEL, MOTORBREMSE	534 TR/E (B&S 675 series ES)
-	181000759/0	1	CAVO FRENO MOTORE	CABLE, THREAD ENGINE BRAKE	CABLE FREIN MOTEUR	KABEL, MOTORBREMSE	(HONDA)
-	181000759/0	1	CAVO FRENO MOTORE	CABLE, THREAD ENGINE BRAKE	CABLE FREIN MOTEUR	KABEL, MOTORBREMSE	(GGP 200cc)
266	381745004/0	1	SNODO	JOINT	JOINT	GELENK	
267	122608537/1	1	RINFORZO	STIFFENING	REINFORCEMENT	VERSTAERKUNG	
268	12293201/0	2	DADO	NUT	ECROU	MUTTER	
270	12728691/0	2	VITE	SCREW	VIS	SCHRAUBE	
271	322981471/0	2	PIASTRINA	PLATE	PLAQUE	PLATTE	
272	322557155/1	1	COPERCHIO	COVER	COUVERCLE	DECKEL	
273	322557156/1	1	COPERCHIO	COVER	COUVERCLE	DECKEL	
274	322120184/2	1	CRUSCOTTO	DASH BOARD	CONSOLE	KONSOLE	
275	322120185/2	1	CRUSCOTTO	DASH BOARD	CONSOLE	KONSOLE	
276	322109542/1	1	COPERCHIO	COVER	COUVERCLE	DECKEL	
277	322109541/1	1	COPERCHIO	COVER	COUVERCLE	DECKEL	
278	122480000/1	1	OROLOGIO	CLOCK	MONTRE	UHR	
279	322109543/1	1	PROTEZIONE	PROTECTION	PROTECTION	SCHUTZ	
280	322109540/1	1	VASCHETTE PORTAOGGETTI	TRAY	BAC DE RANGEMENT	ABLAGE	
281	81003325/0	1	LEVA FRENO MOTORE	LEVER, ENGINE BRAKE	LEVIER FREIN MOTEUR	HEBEL, MOTORBREMSE	
282	381006670/1	1	IMPUGNATURA MANICO	HANDGRIP	POIGNÉE	HANDGRIFF	
283	322109547/0	1	COPERCHIO	COVER	COUVERCLE	DECKEL	
284	112728706/0	2	VITE	SCREW	VIS	SCHRAUBE	
285	112728695/0	7	VITE	SCREW	VIS	SCHRAUBE	
286	322192004/0	1	FASCETTA	ANCHOR CLAMP	COLLIER ANCRAGE	BOWDENZUGHALTER	
288	112727799/0	2	VITE	SCREW	VIS	SCHRAUBE	
289	12154510/0	2	DADO	NUT	ECROU	MUTTER	
296	12728526/0	1	VITE	SCREW	VIS	SCHRAUBE	
299	12728698/0	1	VITE	SCREW	VIS	SCHRAUBE	
303	12728526/0	1	VITE	SCREW	VIS	SCHRAUBE	
315	81007160/0	1	CAVO ACCELERATORE	THROTTLE CABLE	CABLE, ACCELERATEUR	GASHEBEL KABEL	
316	12735105/0	2	VITE	SCREW	VIS	SCHRAUBE	
317	22981467/0	1	PIASTRINA	PLATE	PLAQUETTE	PLATTE	
318	12791500/0	1	VITE	SCREW	VIS	SCHRAUBE	
319	12530060/0	1	ROSETTA	WASHER	RONDELLE	SCHEIBE	
320	12523040/0	1	ROSETTA	WASHER	RONDELLE	SCHEIBE	
321	381007225/1	1	LEVA, ACCELERATORE - NERA	LEVER, THROTTLE	LEVIER,	HEBEL, BESHLEUNIGER	
-	381007222/1	1	LEVA, ACCELERATORE - ROSSA	LEVER, THROTTLE	LEVIER,	HEBEL, BESHLEUNIGER	
322	12523040/0	1	ROSETTA	WASHER	RONDELLE	SCHEIBE	
323	12154510/0	1	DADO	NUT	ECROU	MUTTER	
324	114362568/0	1	ETICHETTA	LABEL	ETIQUETTE	ETIKETTE	(B&S 700)
-	114361912/1	1	ETICHETTA	LABEL	ETIQUETTE	ETIKETTE	(B&S)

POS.	CODE	Q.TY	DESCRIZIONE	DESCRIPTION	DESCRIPTION	BESCHREIBUNG	REMARKS
324	114361913/1	1	ETICHETTA	LABEL	ETIQUETTE	ETIKETTE	(HONDA)
-	114362229/1	1	ETICHETTA	LABEL	ETIQUETTE	ETIKETTE	(GGP 200 cc)
-	114362230/1	1	ETICHETTA	LABEL	ETIQUETTE	ETIKETTE	AVS (GGP 200cc)
325	22557160/0	1	TAPPO	CAP	BOUCHON	GUMMISTOPFEN	
326	381030015/0	1	CAVO COMANDO TRAZIONE	CABLE, REAR DRIVE	CÂBLE, COMMANDE TRACTION	KABEL, ANTRIEB	(BI. CI. DI.)
-	381030023/0	1	CAVO COMANDO TRAZIONE	CABLE, REAR DRIVE	CÂBLE, COMMANDE TRACTION	KABEL, ANTRIEB	(GENERAL TRANSMISSION)
327	381003328/0	1	LEVA TRAZIONE	LEVER, DRIVING	LEVIER TRACTION	HEBEL, ANTRIEB	

[www.emc-motoculture.com](http://www.emc-motoculture.com)

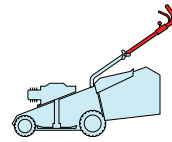
# NP 534

TR

TR/E

TR 3S

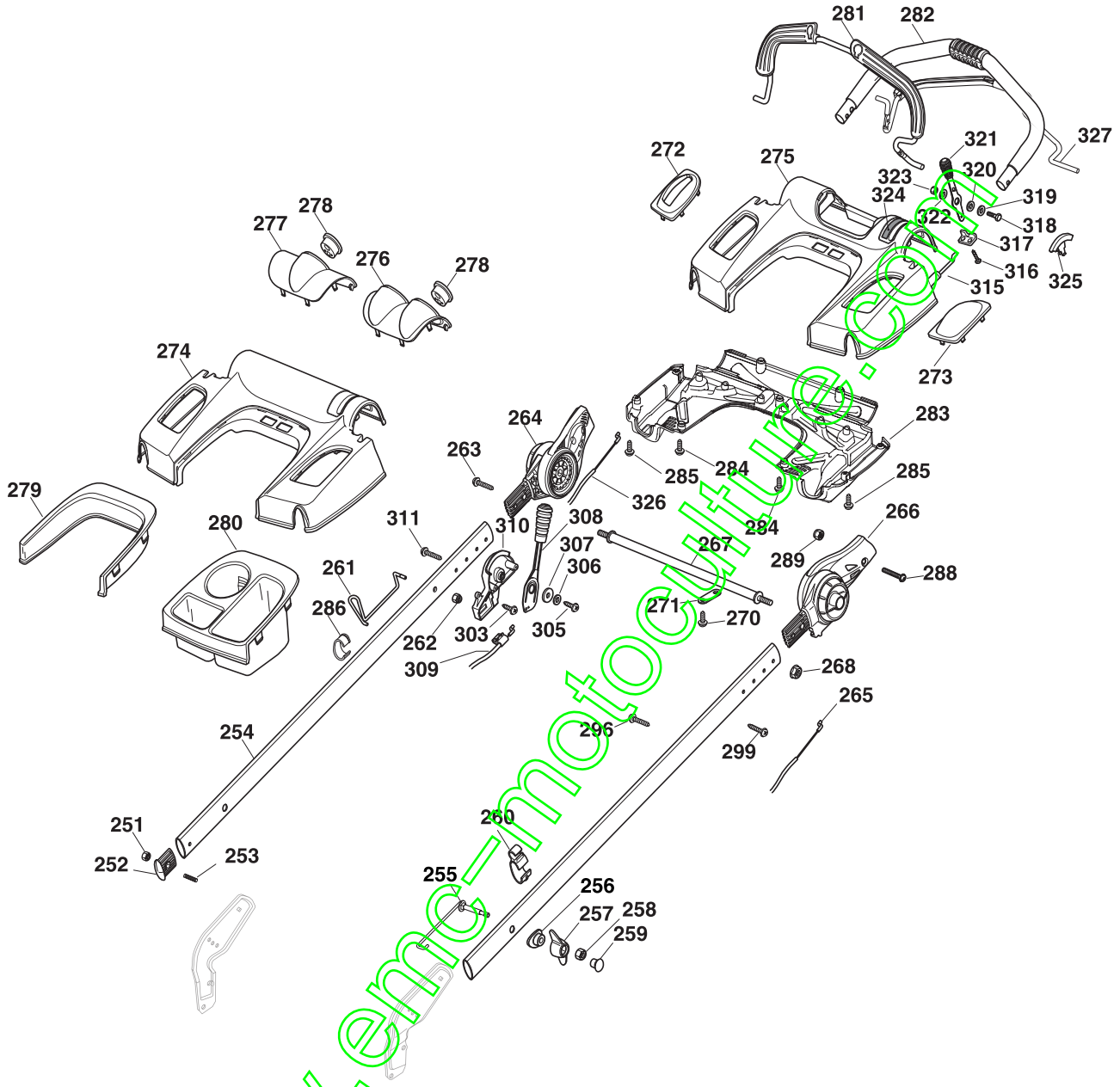
TR/E 3S



2008

842g.0

1 / 3



POS.	CODE	Q.TY	DESCRIZIONE	DESCRIPTION	DESCRIPTION	BESCHREIBUNG	REMARKS
251	12154510/0	2	DADO	NUT	ECROU	MUTTER	
252	22820071/0	2	PUNTALE	CAP	BOUCHON	GUMMISTOPFEN	
253	12789450/0	2	VITE	SCREW	VIS	SCHRAUBE	
254	322498105/1	2	MANICO	HANDLE	MANCHERON	HOLM	
255	381003805/0	2	MOLLA GUIDA	SPRING	RESSORT	FEDER	
256	22680012/0	2	ROSETTA	WASHER	RONDELLE	SCHEIBE	
257	22399821/0	2	MANOPOLINA	KNOB	POIGNÉE	GRIFF	
258	12293200/0	2	DADO	NUT	ECROU	MUTTER	
259	322820072/1	2	TAPPO	CAP	BOUCHON	STOPFEN	
260	22192003/0	1	FERMACAVO	FAIRLEAD	FIXATION CABLE	KABELBEFESTIGUNG	
261	122430316/1	1	MOLLA GUIDA	SPRING	RESSORT	FEDER	
262	12154330/0	1	DADO	NUT	ECROU	MUTTER	

POS.	CODE	Q.TY	DESCRIZIONE	DESCRIPTION	DESCRIPTION	BESCHREIBUNG	REMARKS
263	12728702/0	1	VITE	SCREW	VIS	SCHRAUBE	
264	381745003/0	1	SNODO	JOINT	JOINT	GELENK	
265	81000752/0	1	CAVO FRENO MOTORE	CABLE, THREAD ENGINE BRAKE	CABLE FREIN MOTEUR	KABEL, MOTORBREMSE	(B&S 675 series)
-	81000751/0	1	CAVO FRENO MOTORE	CABLE, THREAD ENGINE BRAKE	CABLE FREIN MOTEUR	KABEL, MOTORBREMSE	534 TR/E (B&S 675 series ES)
-	181000759/0	1	CAVO FRENO MOTORE	CABLE, THREAD ENGINE BRAKE	CABLE FREIN MOTEUR	KABEL, MOTORBREMSE	(HONDA)
-	181000759/0	1	CAVO FRENO MOTORE	CABLE, THREAD ENGINE BRAKE	CABLE FREIN MOTEUR	KABEL, MOTORBREMSE	(GGP 200cc)
266	381745004/0	1	SNODO	JOINT	JOINT	GELENK	
267	122608537/1	1	RINFORZO	STIFFENING	REINFORCEMENT	VERSTAERKUNG	
268	12293201/0	2	DADO	NUT	ECROU	MUTTER	
270	12728691/0	2	VITE	SCREW	VIS	SCHRAUBE	
271	322981471/0	2	PIASTRINA	PLATE	PLAQUE	PLATTE	
272	322557158/1	1	COPERCHIO	COVER	COUVERCLE	DECKEL	
273	322557156/1	1	COPERCHIO	COVER	COUVERCLE	DECKEL	
274	322120184/2	1	CRUSCOTTO	DASH BOARD	CONSOLE	KONSOLE	
275	322120185/2	1	CRUSCOTTO	DASH BOARD	CONSOLE	KONSOLE	
276	322109542/1	1	COPERCHIO	COVER	COUVERCLE	DECKEL	
277	322109541/1	1	COPERCHIO	COVER	COUVERCLE	DECKEL	
278	122480000/1	1	OROLOGIO	CLOCK	MONTRE	UHR	
279	322109543/1	1	PROTEZIONE	PROTECTION	PROTECTION	SCHUTZ	
280	322109540/1	1	VASCHEFFE PORTAOGGETTI	TRAY	BAC DE RANGEMENT	ABLAGE	
281	81003325/0	1	LEVA FRENO MOTORE	LEVER, ENGINE BRAKE	LEVIER FREIN MOTEUR	HEBEL, MOTORBREMSE	
282	381006670/1	1	IMPUGNATURA MANICO	HANDGRIP	POIGNÉE	HANDGRIFF	
283	322109547/0	1	COPERCHIO	COVER	COUVERCLE	DECKEL	
284	112728706/0	2	VITE	SCREW	VIS	SCHRAUBE	
285	112728695/0	7	VITE	SCREW	VIS	SCHRAUBE	
286	322192004/0	1	FASCETTA	ANCHOR CLAMP	COLLIER ANCRAGE	BOWDENZUGHALTER	
288	112727799/0	2	VITE	SCREW	VIS	SCHRAUBE	
289	12154510/0	2	DADO	NUT	ECROU	MUTTER	
296	12728526/0	1	VITE	SCREW	VIS	SCHRAUBE	
299	12728698/0	1	VITE	SCREW	VIS	SCHRAUBE	
303	12728527/0	1	VITE	SCREW	VIS	SCHRAUBE	
305	12728686/0	1	VITE	SCREW	VIS	SCHRAUBE	
306	12523020/0	1	ROSETTA	WASHER	RONDELLE	SCHEIBE	
307	22680013/0	1	RONDELLA	WASHER	RONDELLE	SCHEIBE	
308	381007226/1	1	LEVA TRAZIONE NERA	LEVER, DRIVING	LEVIER TRACTION	HEBEL, ANTRIEB	
309	381030021/0	1	CAVO COMANDO MARCE	CABLE, SPEED DRIVE CONTROL	CABLE, COMM. CHANGE-MENT VITESSE	KABEL, GÄNGESCHALTUNG	
310	22785233/0	1	SUPPORTO	SUPPORT	SUPPORT	HALTER	
315	81007160/0	1	CAVO ACCELERATORE	THROTTLE CABLE	CABLE, ACCELERATEUR	GASHEBEL KABEL	
316	12735105/0	2	VITE	SCREW	VIS	SCHRAUBE	
317	22981467/0	1	PIASTRINA	PLATE	PLAQUETTE	PLATTE	
318	12791500/0	1	VITE	SCREW	VIS	SCHRAUBE	
319	12530060/0	1	ROSETTA	WASHER	RONDELLE	SCHEIBE	
320	12523040/0	1	ROSETTA	WASHER	RONDELLE	SCHEIBE	
321	381007225/1	1	LEVA, ACCELERATORE - NERA	LEVER, THROTTLE	LEVIER,	HEBEL, BESHLEUNIGER	
-	381007222/1	1	LEVA, ACCELERATORE - ROSSA	LEVER, THROTTLE	LEVIER,	HEBEL, BESHLEUNIGER	
322	12523040/0	1	ROSETTA	WASHER	RONDELLE	SCHEIBE	

POS.	CODE	Q.Q.TY	DESCRIZIONE	DESCRIPTION	DESCRIPTION	BESCHREIBUNG	REMARKS
323	12154510/0	1	DADO	NUT	ECROU	MUTTER	
324	114362568/0	1	ETICHETTA	LABEL	ETIQUETTE	ETIKETTE	(B&S 700)
-	114361912/1	1	ETICHETTA	LABEL	ETIQUETTE	ETIKETTE	(B&S)
-	114361913/1	1	ETICHETTA	LABEL	ETIQUETTE	ETIKETTE	(HONDA)
-	114362229/1	1	ETICHETTA	LABEL	ETIQUETTE	ETIKETTE	(GGP 200 cc)
-	114362230/1	1	ETICHETTA	LABEL	ETIQUETTE	ETIKETTE	AVS (GGP 200cc)
325	22557160/0	1	TAPPO	CAP	BOUCHON	GUMMISTOPFEN	
326	381030015/0	1	CAVO COMANDO TRAZIONE	CABLE, REAR DRIVE	CÂBLE, COMMANDE TRACTION	KABEL, ANTRIEB	(BI. CI. DI.)
-	381030023/0	1	CAVO COMANDO TRAZIONE	CABLE, REAR DRIVE	CÂBLE, COMMANDE TRACTION	KABEL, ANTRIEB	(GENERAL TRANSMISSION)
327	381003328/0	1	LEVA TRAZIONE	LEVER, DRIVING	LEVIER TRACTION	HEBEL, ANTRIEB	

www.emc-motoculture.com



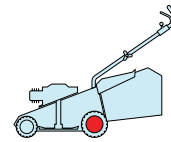
NP 534

TR

TR/E

TR 3S

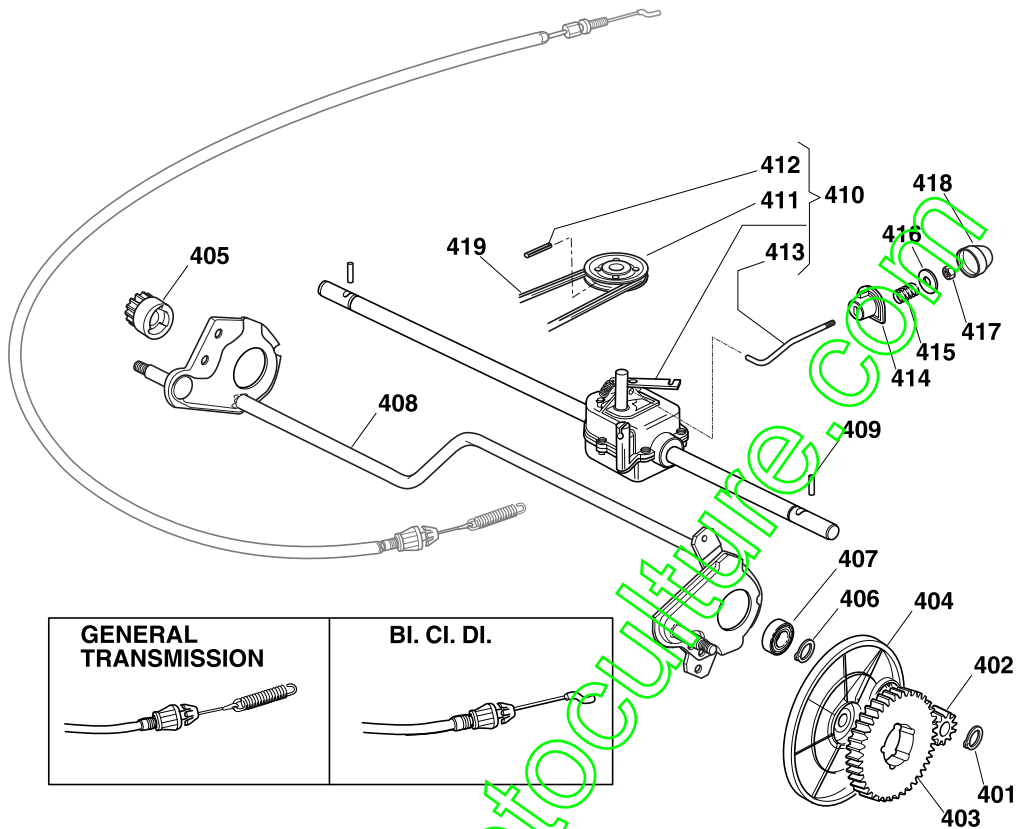
TR/E 3S



2008

843.0

1 / 1



POS.	CODE	Q.TY	DESCRIZIONE	DESCRIPTION	DESCRIPTION	BESCHREIBUNG	REMARKS
401	12608600/0	2	SEEGER	SEEGER	SEEGER	SEEGER	
402	22570120/1	1	PIGNONE SX	PINION L	PIGNON G	RITZEL LINKES	
403	22120105/1	2	CORONA	RING GEAR	COURONNE	KRANZ	
404	22600091/1	2	PROT. RUOTE	PROTECTION, WHEEL	PROTECTION ROUE	SCHÜTZ, RÄDER	
405	22570110/1	1	PIGNONE DX	PINION R	PIGNON D	RITZEL RECHTES	
406	12608600/0	2	SEEGER	SEEGER	SEEGER	SEEGER	
407	19216035/0	2	CUSCINETTO	BEARING	COUSSINET	LAGER	
408	81002811/0	1	ASSE RUOTE POSTERIORI	AXLE, REAR WHEELS	AXE ROUES ARRIERE	ACHSE, HINTERRAD	
409	22753000/0	2	SPINA	PIN	GOUPILLE	STIFT	
410	81003082/1	1	GRUPPO TRAZIONE (GRIGIO)	GEAR BOX (GREY)	GROUPE TRACTION (GRIS)	ANTRIEB (GRAU)	(BI. CI. DI.)
-	81003079/0	1	GRUPPO TRAZIONE	GEAR BOX	GROUPE TRACTION	ANTRIEB	(GENERAL TRANSMISSION)
411	22601909/0	1	PULEGGIA	PULLEY	POULIE	RIEMENSCHLEIBE	
412	12645705/0	1	SPINA	PIN	GOUPILLE	STIFT	
413	22033281/0	1	ASTA REGOLAZIONE	ADJUSTMENT ROD	TIGE REGLAGE	VERSTELLUNGSTANGE	
414	22041957/1	1	BUSSOLA	BUSH	DOUILLE	BUCHSE	
415	22450063/0	1	MOLLA	SPRING	RESSORT	FEDER	
416	22680009/0	1	ROSETTA	WASHER	RONDELLE	SCHEIBE	
417	12154510/0	1	DADO	NUT	ECROU	MUTTER	
418	22110230/0	1	TAPPO	CAP	BOUCHON	GUMMISTOPFEN	
419	35064195/0	1	CINGHIA Z 33	BELT Z 33	COURROIE Z 33	RIEMEN Z 33	



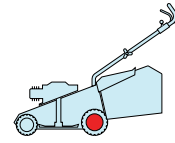
# NP 534

TR

TR/E

TR 3S

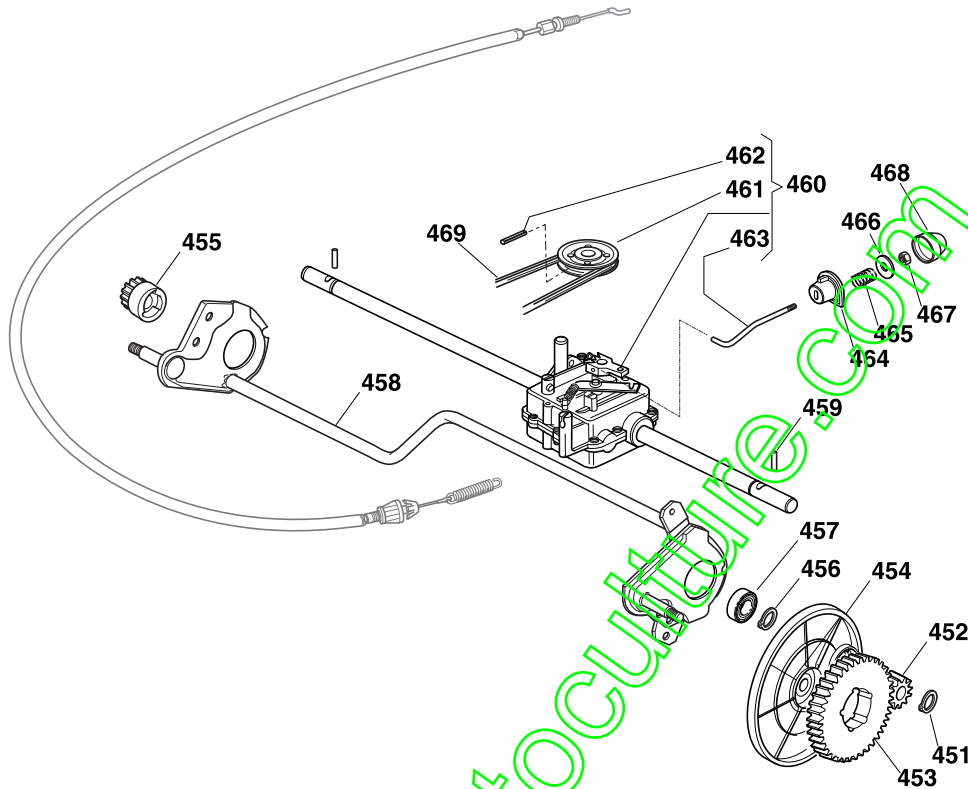
TR/E 3S



2008

843a.0

1 / 1



POS.	CODE	Q.TY	DESCRIZIONE	DESCRIPTION	DESCRIPTION	BESCHREIBUNG	REMARKS
451	12608600/0	2	SEEGER	SEEGER	SEEGER	SEEGER	
452	22570120/1	1	PIGNONE SX	PINION L	PIGNON G	RITZEL LINKES	
453	22120105/1	2	CORONA	RING GEAR	COURONNE	KRANZ	
454	22600091/1	2	PROT. RUOTE	PROTECTION, WHEEL	PROTECTION ROUE	SCHÜTZ, RÄDER	
455	22570110/1	1	PIGNONE DX	PINION R	PIGNON D	RITZEL RECHTES	
456	12608600/0	2	SEEGER	SEEGER	SEEGER	SEEGER	
457	19216035/0	2	CUSCINETTO	BEARING	COUSSINET	LAGER	
458	81002811/0	1	ASSE RUOTE POSTERIORI	AXLE, REAR WHEELS	AXE ROUES ARRIERE	ACHSE, HINTERRAD	
459	22753000/0	2	SPINA	PIN	GOUPILLE	STIFT	
460	81003080/0	1	GRUPPO TRAZIONE	GEAR BOX	GROUPE TRACTION	ANTRIEB	
461	22601908/0	1	PULEGGIA	PULLEY	POULIE	RIEMENSCHIEBE	
462	12645705/0	1	SPINA	PIN	GOUPILLE	STIFT	
463	22033282/1	1	ASTA REGOLAZIONE	ADJUSTMENT ROD	TIGE REGLAGE	VERSTELLUNGSTANGE	
464	22041957/1	1	BUSSOLA	BUSH	DOUILLE	BUCHSE	
465	22450063/0	1	MOLLA	SPRING	RESSORT	FEDER	
466	22680009/0	1	ROSETTA	WASHER	RONDELLE	SCHEIBE	
467	12154510/0	1	DADO	NUT	ECROU	MUTTER	
468	22110230/0	1	TAPPO	CAP	BOUCHON	GUMMISTOPFEN	
469	35064197/0	1	CINGHIA	BELT	COURROIRE	RIEMEN	(Z LP 885)

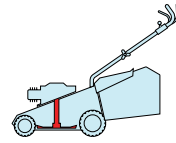
NP 534

TR

TR/E

TR 3S

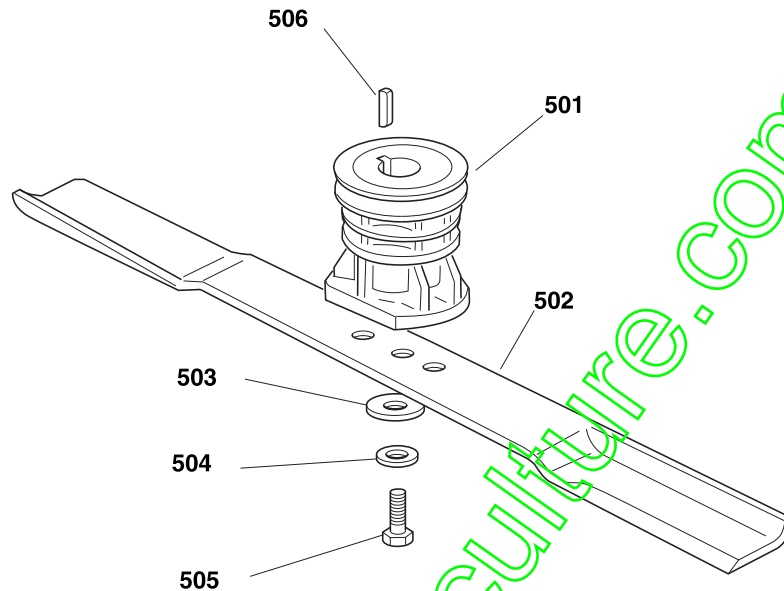
TR/E 3S



2008

844.0

1 / 1



POS.	CODE	Q.TY	DESCRIZIONE	DESCRIPTION	DESCRIPTION	BESCHREIBUNG	REMARKS
501	22465607/2	1	MOZZO CON PULEGGIA, ALBERO MOTORE Ø 22.2	HUB WITH PULLEY, CRANKSHAFT Ø 22.2	MOYEU AVEC POULIE, ARBRE MOTEUR Ø 22.2	NABE MIT SCHEIBE, MOTORWELLE Ø 22.2	
-	122465608/1	1	MOZZO CON PULEGGIA, ALBERO MOTORE Ø 25	HUB WITH PULLEY, CRANKSHAFT Ø 25	MOYEU AVEC POULIE, ARBRE MOTEUR Ø 25	NABE MIT SCHEIBE, MOTORWELLE Ø 25	
502	81004381/1	1	COLTELLO STANDARD	BLADE STANDARD	LAME STANDARD	MESSER STANDARD	
-	81004383/0	1	COLTELLO, AVS	BLADE, AVS	LAME, AVS	MESSER, AVS	
503	22160400/0	1	DISCO ELASTICO	ELASTIC WASHER	RONDELLE ELASTIQUE	ELASTISCHE SCHEIBE	
504	12523080/0	1	ROSETTA	WASHER	RONDELLE	SCHEIBE	
505	12735698/0	1	VITE	SCREW	VIS	SCHRAUBE	
506	12139100/0	1	LINGUETTA, ALBERO MOTORE Ø 22.2	FEATHER, CRANKSHAFT Ø 22.2	CLAVETTE, ARBRE MOTEUR Ø 22.2	KEIL, MOTORWELLE Ø 22.2	
-	12139150/0	1	LINGUETTA, ALBERO MOTORE Ø 25	FEATHER, CRANKSHAFT Ø 25	CLAVETTE, ARBRE MOTEUR Ø 25	KEIL, MOTORWELLE Ø 25	

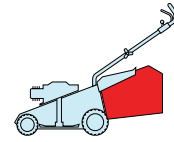
# NP 534

TR

TR/E

TR 3S

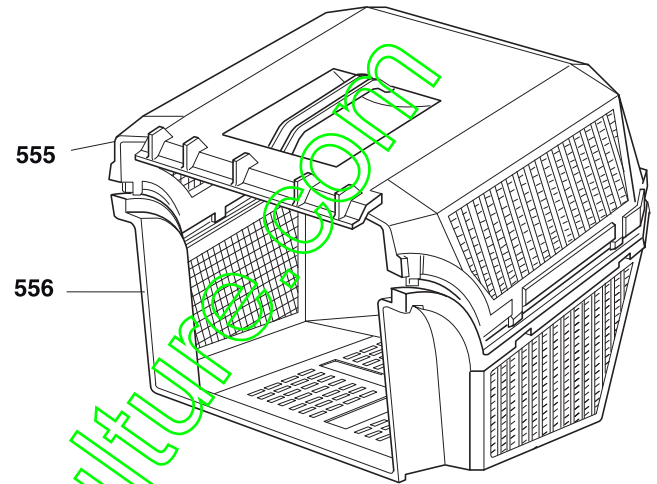
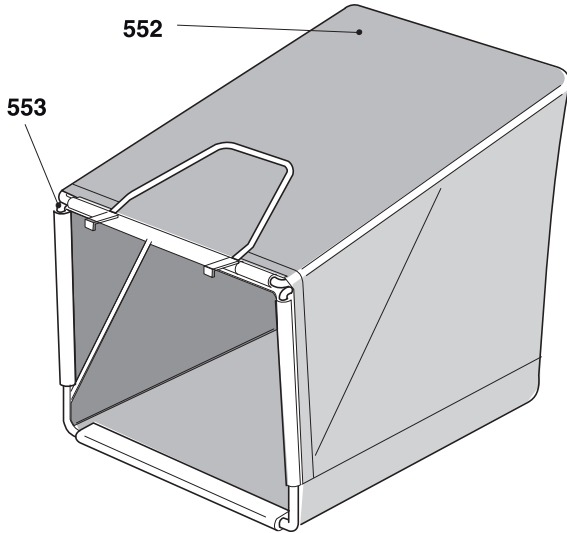
TR/E 3S



2008

845.0

1 / 1



POS.	CODE	Q.TY	DESCRIZIONE	DESCRIPTION	DESCRIPTION	BESCHREIBUNG	REMARKS
552	81002124/1	1	SACCO, TELA	BOX, FABRIC	SAC, TOILE	SACK, TUCK	
553	81006430/0	1	TELAIO SACCO	CHASSIS BOX	CHÂSSIS BAC	RAHMEN SACK	
555	22486065/0	1	SACCO, PARTE SUP	GRASS-BOX, UPPER	SAC, PARTIE SUPERIEU- RE	KORB, OBERTEIL	
556	22486064/0	1	SACCO, PARTE INF	GRASS-BOX, LOWER	SAC, PARTIE INFERIEURE	KORB, UNTERTEIL	

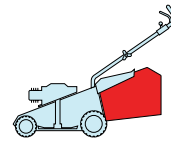
NP 534

TR

TR/E

TR 3S

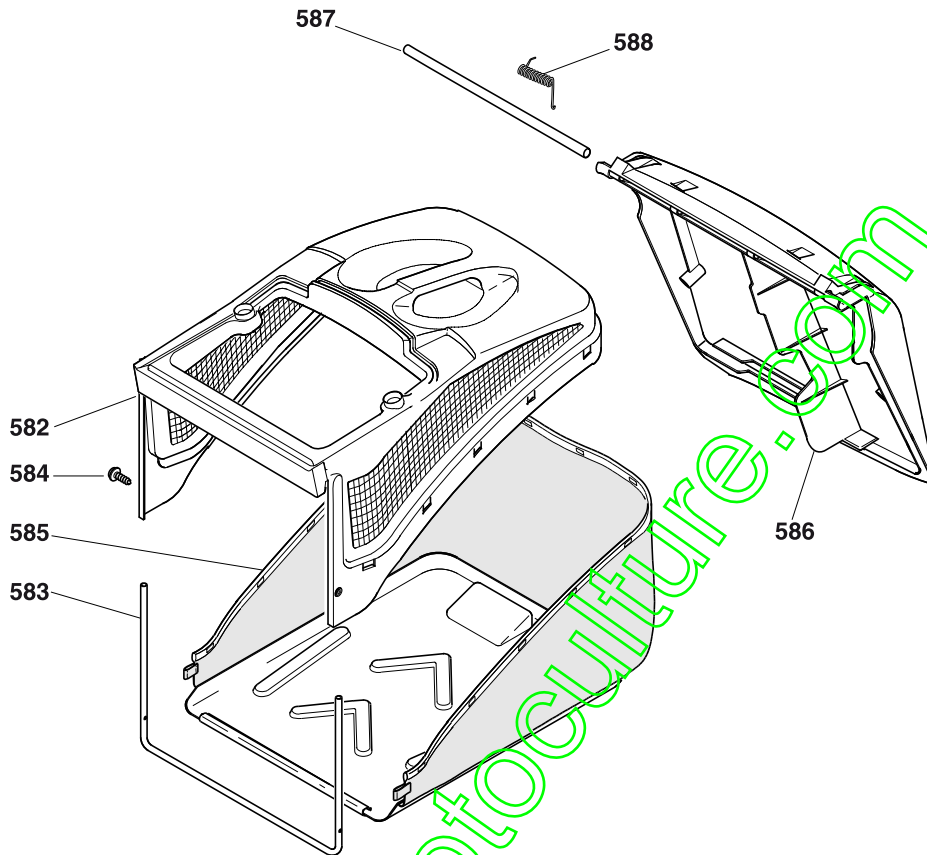
TR/E 3S



2008

845a.0

1 / 1



POS.	CODE	Q.TY	DESCRIZIONE	DESCRIPTION	DESCRIPTION	BESCHREIBUNG	REMARKS
582	22486094/0	1	SACCO, PARTE SUP	GRASS-BOX, UPPER	SAC, PARTIE	KORB, OBERTEIL	
583	22608524/0	1	RINFORZO INF	STIFFENING LOWER	RÉNFORCEMENT INF	VERSTÄRKUNG	
584	12728445/0	2	VITE	SCREW	VIS	SCHRAUBE	
585	81002196/0	1	SACCO, TELA	BOX, FABRIC	SAC, TOILE	SACK, TUCK	
586	22600066/2	1	PARASASSI	STONE-GUARD	PARE-PIERRES	PRALLBLECH	
587	22517857/0	1	PERNO	PIN	PIVOT	BOLZEN	
588	22451000/0	1	MOLLA	SPRING	RESSORT	FEDER	

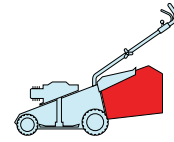
NP 534

TR

TR/E

TR 3S

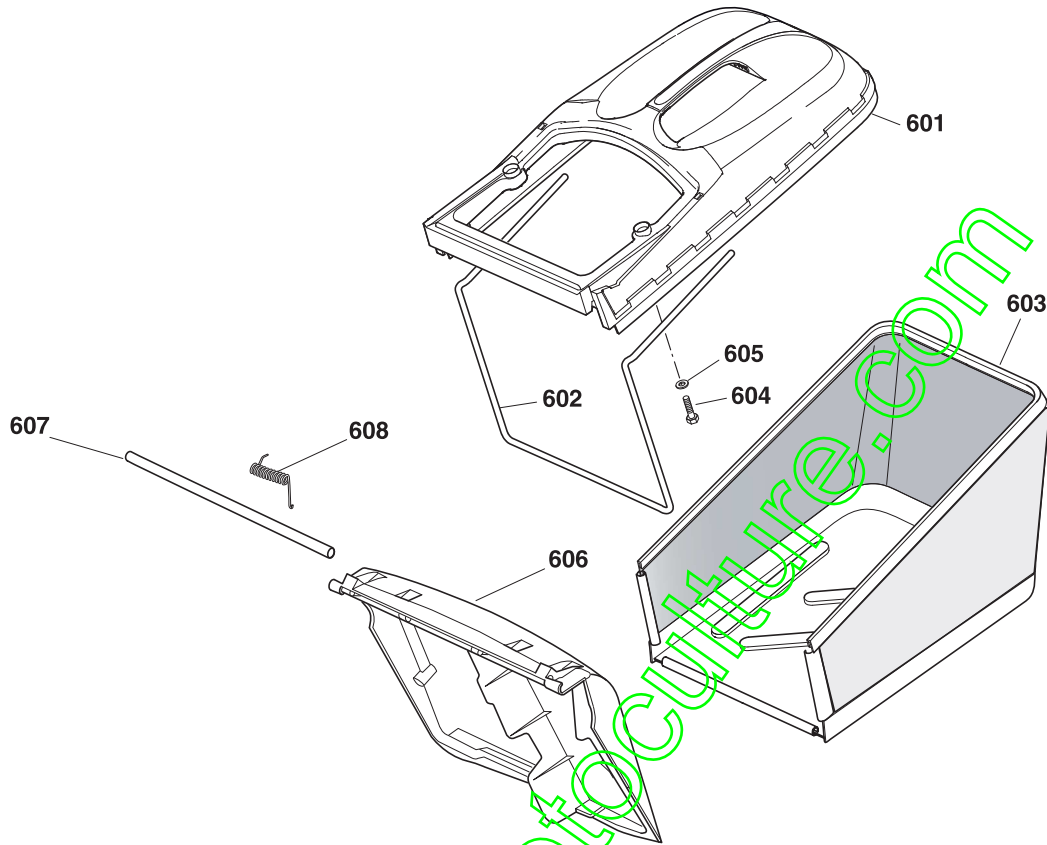
TR/E 3S



2008

845b.0

1 / 1



POS.	CODE	Q.TY	DESCRIZIONE	DESCRIPTION	DESCRIPTION	BESCHREIBUNG	REMARKS
601	22486102/0	1	SACCO, PARTE SUP	GRASS-BOX, UPPER	SAC, PARTIE	KORB, OBERTEIL	
602	22608526/0	1	RINFORZO INF	STIFFENING LOWER	RÉNFORCEMENT INF	VERSTÄRKUNG	
603	81002212/0	1	SACCO, TELA	BOX, FABRIC	SAC, TOILE	SACK, TUCK	
604	12728680/0	2	VITE	SCREW	VIS	SCHRAUBE	
605	12523050/0	2	ROSETTA	WASHER	RONDELLE	SCHEIBE	
606	22600066/2	1	PARASASSI	STONE GUARD	PARE-PIERRES	PRALLBLECH	
607	22517857/0	1	PERNO	PIN	PIVOT	BOLZEN	
608	22451000/0	1	MOLLA	SPRING	RESSORT	FEDER	