

# Genuine Spare Parts

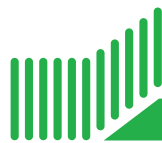
Catalogo delle parti di ricambio  
Spare parts catalogue  
Catalogue des pieces de rechange  
Ersatzteilkatalog

# 2009

- Use GLOBAL GARDEN PRODUCT Genuine Spare Parts specified in the parts list for repair and/or replacement.
- The contents described in the parts list may change due to improvement.
- The drawings of the spare parts are only indicative and might not represent the part in question exactly.
- The indications "right" - "left" - "front" - "rear" refer to the position of the operator when using the machine.
- When placing orders of parts for repair and/or replacement, make sure that the illustrated parts list is the one applying to the machine's year of manufacture, as shown on the identification plate attached to the machine.

COPYRIGHT by GLOBAL GARDEN PRODUCTS

All rights reserved. No part of this material may be reproduced or transmitted, in any form or by any means, electronic or mechanical, including photocopying, recording or by any information storage and retrieval system, without permission in writing from GLOBAL GARDEN PRODUCTS.



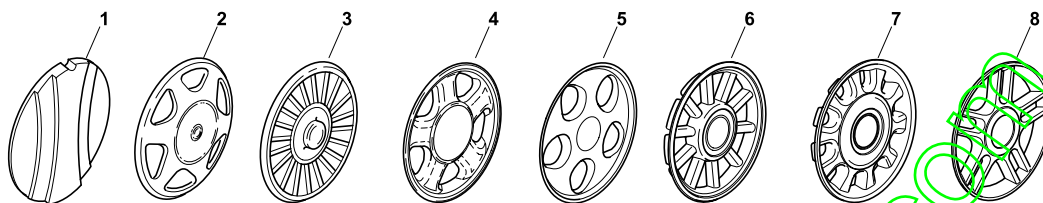
GLOBAL GARDEN PRODUCTS

# ENCLOSURE 1

2009

001.0

1 / 1



| POS. | CODE       | Q.TY | DESCRIZIONE       | DESCRIPTION    | DESCRIPTION       | BESCHREIBUNG   | REMARKS |
|------|------------|------|-------------------|----------------|-------------------|----------------|---------|
| 1    | 22110252/1 |      | Coprimozzo Bianco | Hub Cap White  | Couvre-Moyeu      | Radkappe Weiße |         |
| 1    | 22110254/1 |      | Coprimozzo Giallo | Hub Cap Yellow | Couvre-Moyeu      | Radkappe Gelbe |         |
| 1    | 22110255/1 |      | Coprimozzo Rosso  | Hub Cap Red    | Couvre-Moyeu      | Radkappe Rote  |         |
| 2    | 22110344/0 |      | Coprimozzo Bianco | Hub Cap White  | Couvre-Moyeu      | Radkappe Weiße |         |
| 2    | 22110395/0 |      | Coprimozzo Grigio | Hub Cap Grey   | Couvre-Moyeu Gris | Radkappe Grau  |         |
| 3    | 22110347/0 |      | Coprimozzo Grigio | Hub Cap Grey   | Couvre-Moyeu Gris | Radkappe Grau  |         |
| 4    | 22110381/0 |      | Coprimozzo Grigio | Hub Cap Grey   | Couvre-Moyeu Gris | Radkappe Grau  |         |
| 5    | 22110416/0 |      | Coprimozzo Grigio | Hub Cap Grey   | Couvre-Moyeu Gris | Radkappe Grau  |         |
| 6    | 22110495/0 |      | Coprimozzo Grigio | Hub Cap Grey   | Couvre-Moyeu Gris | Radkappe Grau  |         |
| 7    | 22110493/0 |      | Coprimozzo Grigio | Hub Cap Grey   | Couvre-Moyeu Gris | Radkappe Grau  |         |
| 8    | 22110491/0 |      | Coprimozzo Grigio | Hub Cap Grey   | Couvre-Moyeu Gris | Radkappe Grau  |         |

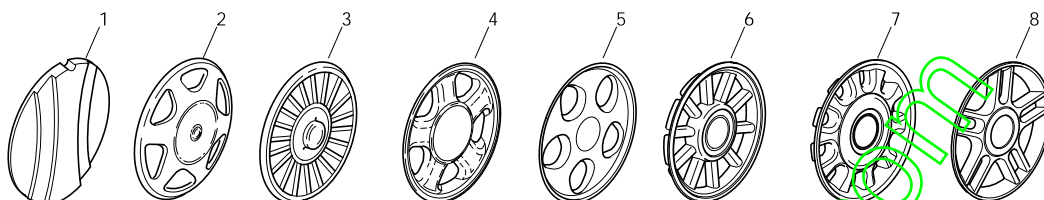
www.emc-motoculture.com

# ENCLOSURE 2

2009

002.0

1 / 1



| POS. | CODE       | Q.TY | DESCRIZIONE       | DESCRIPTION    | DESCRIPTION       | BESCHREIBUNG   | REMARKS |
|------|------------|------|-------------------|----------------|-------------------|----------------|---------|
| 1    | 22110251/0 |      | Coprimezzo Bianco | Hub Cap White  | Couvre-Moyeu      | Radkappe Weiße |         |
| 1    | 22110253/0 |      | Coprimezzo Giallo | Hub Cap Yellow | Couvre-Moyeu      | Radkappe Gelbe |         |
| 1    | 22110256/0 |      | Coprimezzo Rosso  | Hub Cap Red    | Couvre-Moyeu      | Radkappe Rote  |         |
| 2    | 22110313/0 |      | Coprimezzo Bianco | Hub Cap White  | Couvre-Moyeu      | Radkappe Weiße |         |
| 2    | 22110314/0 |      | Coprimezzo Grigio | Hub Cap Grey   | Couvre-Moyeu Gris | Radkappe Grau  |         |
| 3    | 22110348/0 |      | Coprimezzo Grigio | Hub Cap Grey   | Couvre-Moyeu Gris | Radkappe Grau  |         |
| 4    | 22110382/0 |      | Coprimezzo Grigio | Hub Cap Grey   | Couvre-Moyeu Gris | Radkappe Grau  |         |
| 5    | 22110417/0 |      | Coprimezzo Grigio | Hub Cap Grey   | Couvre-Moyeu Gris | Radkappe Grau  |         |
| 6    | 22110496/0 |      | Coprimezzo Grigio | Hub Cap Grey   | Couvre-Moyeu Gris | Radkappe Grau  |         |
| 7    | 22110494/0 |      | Coprimezzo Grigio | Hub Cap Grey   | Couvre-Moyeu Gris | Radkappe Grau  |         |
| 8    | 22110492/0 |      | Coprimezzo Grigio | Hub Cap Grey   | Couvre-Moyeu Gris | Radkappe Grau  |         |

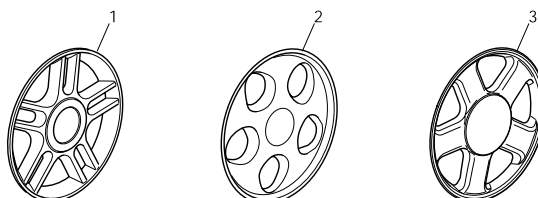
www.emc-motoculture.com

## ENCLOSURE 3

2009

003.0

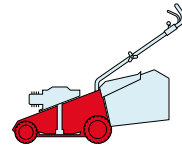
1 / 1



| POS. | CODE        | Q.TY | DESCRIZIONE       | DESCRIPTION  | DESCRIPTION       | BESCHREIBUNG  | REMARKS |
|------|-------------|------|-------------------|--------------|-------------------|---------------|---------|
| 1    | 322110560/0 |      | Coprimezzo Grigio | Hub Cap Grey | Couvre-Moyeu Gris | Radkappe Grau |         |
| 2    | 322110590/0 |      | Coprimezzo Grigio | Hub Cap Grey | Couvre-Moyeu Gris | Radkappe Grau |         |
| 3    | 22110511/0  |      | Coprimezzo Grigio | Hub Cap Grey | Couvre-Moyeu Gris | Radkappe Grau |         |

# NP 534

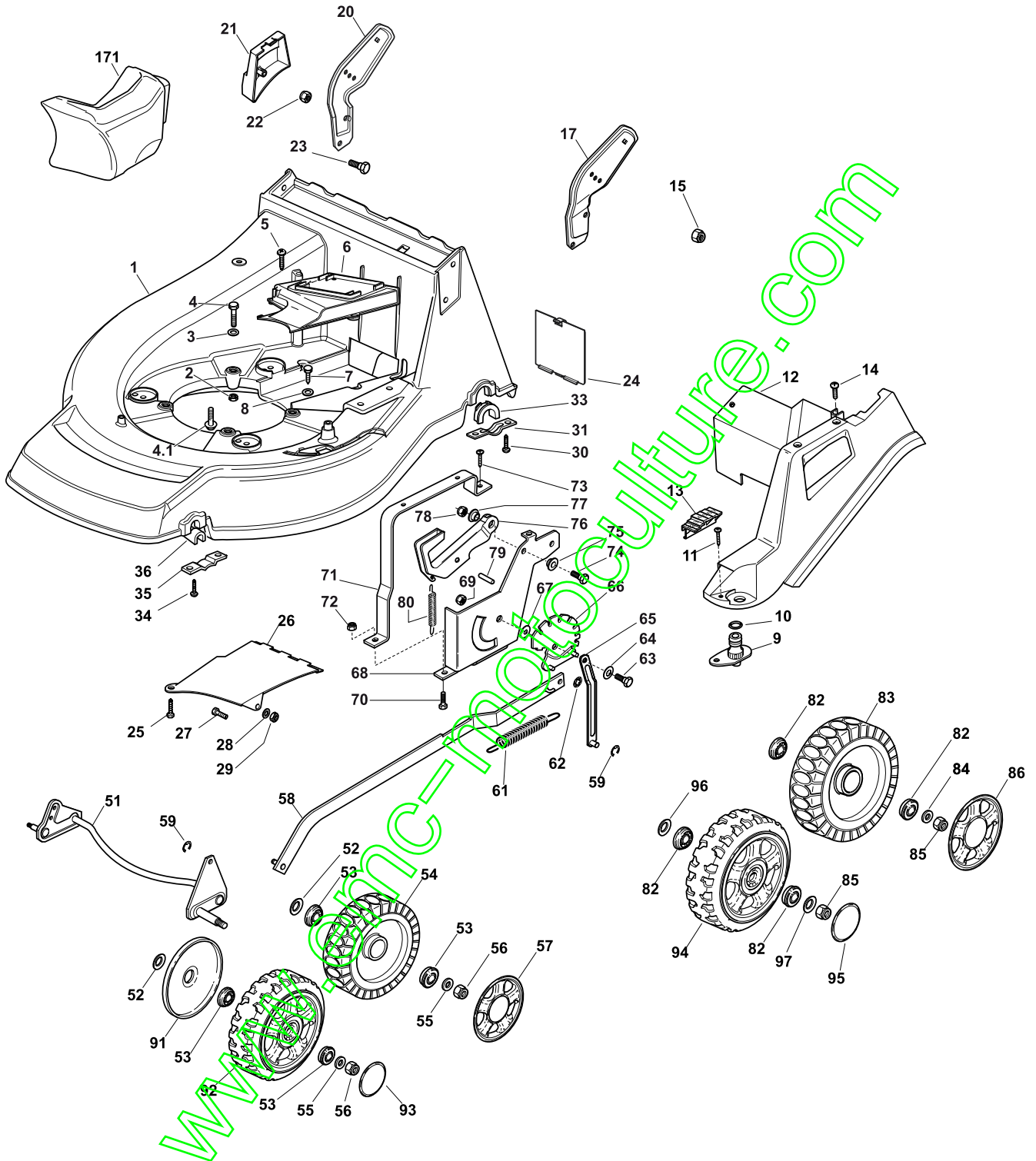
TR TR-E TR 3S TR-E 3S W TR W TR-E W TR 3S W TR-E 3S



2009

54\_001

1 / 3



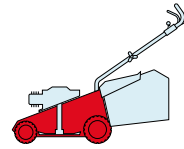
| POS. | CODE        | Q.TY | DESCRIZIONE   | DESCRIPTION | DESCRIPTION   | BESCHREIBUNG | REMARKS |
|------|-------------|------|---------------|-------------|---------------|--------------|---------|
| 1    | 381003543/1 | 1    | Chassis Rosso | Deck Red    | Châssis Rouge | Gehäuse Rot  |         |
| 2    | 12155000/0  | 3    | Dado          | Nut         | Ecrou         | Mutter       |         |
| 3    | 12521350/0  | 3    | Rosetta       | Washer      | Rondelle      | Scheibe      |         |
| 4    | 12691800/0  | 2    | Vite          | Screw       | Vis           | Schraube     | (B&S)   |
| 4    | 12692080/0  | 1    | Vite          | Screw       | Vis           | Schraube     | (B&S)   |
| 4    | 12691900/0  | 3    | Vite          | Screw       | Vis           | Schraube     | (Ggp)   |
| 4A   | 112735108/1 | 3    | Vite          | Screw       | Vis           | Schraube     | (Honda) |

| POS. | CODE        | Q.TY | DESCRIZIONE                  | DESCRIPTION                | DESCRIPTION                   | BESCHREIBUNG            | REMARKS           |
|------|-------------|------|------------------------------|----------------------------|-------------------------------|-------------------------|-------------------|
| 5    | 12728522/0  | 2    | Vite                         | Screw                      | Vis                           | Schraube                |                   |
| 6    | 22060200/1  | 1    | Carter Cinghia               | Protection, Belt           | Protection                    | Schutz, Riemen          |                   |
| 7    | 12729600/0  | 1    | Vite                         | Screw                      | Vis                           | Schraube                |                   |
| 8    | 12523040/0  | 2    | Rosetta                      | Washer                     | Rondelle                      | Scheibe                 |                   |
| 9    | 22034000/0  | 1    | Attacco Acqua Lavaggio       | Washing Connection         | Attaque Lavage                | Waschenverbindung       |                   |
| 10   | 19035000/0  | 1    | Anello Or                    | Or Ring                    | Bague Or                      | Ring Or                 |                   |
| 11   | 12728519/0  | 3    | Vite                         | Screw                      | Vis                           | Schraube                |                   |
| 12   | 322060144/3 | 1    | Carter Regolazione           | Deck, Adjustment           | Châssis Reglage               | Gehäuse                 |                   |
| 13   | 22570200/0  | 1    | Placchetta Posizioni         | Plate, Cutting Positions   | Plaquette Reglage             | Platte, Höheverstellung |                   |
| 14   | 12728520/0  | 1    | Vite                         | Screw                      | Vis                           | Schraube                |                   |
| 15   | 12155000/0  | 2    | Dado                         | Nut                        | Ecrou                         | Mutter                  |                   |
| 17   | 22778397/1  | 1    | Staffa Sx                    | Bracket, L                 | Bride G                       | Pratze, Linke           |                   |
| 20   | 22778396/1  | 1    | Staffa Dx                    | Bracket, R                 | Bride D                       | Pratze, Rechte          |                   |
| 21   | 22601001/0  | 1    | Protezione                   | Protection                 | Protection                    | Schutz                  |                   |
| 22   | 12155000/0  | 2    | Dado                         | Nut                        | Ecrou                         | Mutter                  |                   |
| 23   | 12793301/0  | 2    | Vite                         | Screw                      | Vis                           | Schraube                |                   |
| 24   | 22595352/0  | 1    | Portina Chiusura             | Inspection Door            | Voyant De Visite              | Abdeckplatte            |                   |
| 25   | 12729600/0  | 1    | Vite                         | Screw                      | Vis                           | Schraube                |                   |
| 26   | 22108205/0  | 1    | Convogliatore                | Conveyor                   | Convoyeur                     | Konveyor                |                   |
| 27   | 12789000/0  | 1    | Vite                         | Screw                      | Vis                           | Schraube                |                   |
| 28   | 12523020/0  | 1    | Rosetta                      | Washer                     | Rondelle                      | Scheibe                 |                   |
| 29   | 12154330/0  | 1    | Dado                         | Nut                        | Ecrou                         | Mutter                  |                   |
| 30   | 12731350/0  | 4    | Vite                         | Screw                      | Vis                           | Schraube                |                   |
| 31   | 22545147/0  | 2    | Piastrina                    | Plate                      | Plaquette                     | Platte                  |                   |
| 33   | 22038407/0  | 2    | Bronzina                     | Brass                      | Douille                       | Buchse                  |                   |
| 34   | 12731350/0  | 4    | Vite                         | Screw                      | Vis                           | Schraube                |                   |
| 35   | 22545156/0  | 2    | Piastrina                    | Plate                      | Plaquette                     | Platte                  |                   |
| 36   | 22038400/1  | 2    | Bronzina                     | Brass                      | Douille                       | Buchse                  |                   |
| 51   | 81002801/1  | 1    | Asse Ruote Anteriori         | Axle, Front Wheels         | Axe Roues Avant               | Achse, Vorderrad        |                   |
| 52   | 12530150/0  | 2    | Rosetta Elastica             | Elastic Washer             | Rondelle Elastique            | Elastische Scheibe      |                   |
| 53   | 22122200/0  | 4    | Cuscinetto                   | Bearing                    | Coussinet                     | Lager                   |                   |
| 54   | 81007317/0  | 2    | Ruota Ø 170                  | Wheel Ø 170                | Roue Ø 170                    | Rad. Ø 170              |                   |
| 55   | 12369500/0  | 2    | Rosetta                      | Washer                     | Rondelle                      | Scheibe                 |                   |
| 56   | 12155000/0  | 2    | Dado                         | Nut                        | Ecrou                         | Mutter                  |                   |
| 57   | -           | 2    | Coprismozzo                  | Hub Cap                    | Couvre-Moyeu                  | Radkappe                | (See Enclosure 1) |
| 58   | 81001136/0  | 1    | Asta Comando Regol. Altezza  | Rod, Height Adjustment     | Tige Commande Reglage Hauteur | Stange, Höheverstellung | (B&S - Ggp)       |
| 58   | 81001136/0  | 1    | Asta Comando Regol. Altezza  | Rod, Height Adjustment     | Tige Commande Reglage Hauteur | Stange, Höheverstellung | (Honda)           |
| 59   | 12000930/0  | 2    | Anello Elastico              | Snap Ring                  | Anneau Ressort                | Sprengring              |                   |
| 61   | 122446187/0 | 1    | Molla                        | Spring                     | Ressort                       | Feder                   |                   |
| 62   | 12604899/0  | 2    | Fissatore A Corona           | Crown Fastener             | Fixateur A                    | Kronescheibe            |                   |
| 63   | 22529662/0  | 1    | Perno Fulcro                 | Fulcrum Pin                | Pivot                         | Bolzen                  |                   |
| 64   | 22672151/0  | 1    | Rosetta                      | Washer                     | Rondelle                      | Scheibe                 |                   |
| 65   | 81001269/0  | 1    | Asta Asse Posteriore         | Rod, Rear Wheels Axle      | Tige, Axe Roue Arrieres       | Stange, Hinterradachse  |                   |
| 66   | 381000479/2 | 1    | Settore Regolazione Altezza  | Sector, Height Adjustment  | Secteur Reglage Hauteur       | Sektor, Höheverstellung |                   |
| 67   | 22672152/0  | 1    | Rosetta                      | Washer                     | Rondelle                      | Scheibe                 |                   |
| 68   | 22785109/0  | 1    | Supporto Regolazione Altezza | Support, Height Adjustment | Support Reglage               | Halter, Höheverstellung |                   |
| 69   | 12293201/0  | 1    | Dado                         | Nut                        | Ecrou                         | Mutter                  |                   |
| 70   | 12793301/0  | 2    | Vite                         | Screw                      | Vis                           | Schraube                |                   |
| 71   | 22785113/0  | 1    | Supporto Maniglia            | Support, Handle            | Support Poignée               | Halter, Griff           |                   |
| 72   | 12293201/0  | 2    | Dado                         | Nut                        | Ecrou                         | Mutter                  |                   |

| POS. | CODE        | Q.TY | DESCRIZIONE      | DESCRIPTION    | DESCRIPTION        | BESCHREIBUNG       | REMARKS           |
|------|-------------|------|------------------|----------------|--------------------|--------------------|-------------------|
| 73   | 12729600/0  | 1    | Vite             | Screw          | Vis                | Schraube           |                   |
| 74   | 12793301/0  | 1    | Vite             | Screw          | Vis                | Schraube           |                   |
| 75   | 25038002/1  | 2    | Bussola          | Bush           | Douille            | Buchse             |                   |
| 76   | 322393611/2 | 1    | Maniglia         | Handle         | Poignée            | Griff              |                   |
| 78   | 12293201/0  | 1    | Dado             | Nut            | Ecrou              | Mutter             |                   |
| 79   | 12622640/0  | 1    | Spina            | Pin            | Goupille           | Stift              |                   |
| 80   | 22446175/0  | 1    | Molla            | Spring         | Ressort            | Feder              |                   |
| 81   | 12530150/0  | 2    | Rosetta Elastica | Elastic Washer | Rondelle Elastique | Elastische Scheibe |                   |
| 82   | 22122200/0  | 4    | Cuscinetto       | Bearing        | Coussinet          | Lager              |                   |
| 83   | 81007318/1  | 2    | Ruota Ø 210      | Wheel Ø 210    | Roue Ø 210         | Rad. Ø 210         |                   |
| 84   | 12521350/0  | 2    | Rosetta          | Washer         | Rondelle           | Scheibe            |                   |
| 85   | 12155000/0  | 2    | Dado             | Nut            | Ecrou              | Mutter             |                   |
| 86   | -           | 2    | Coprimozzo       | Hub Cap        | Couvre-Moyeu       | Radkappe           | (See Enclosure 2) |
| 91   | 22600144/0  | 2    | Protezione       | Protection     | Protection         | Schutz             |                   |
| 92   | 81007376/0  | 2    | Ruota Ø 170      | Wheel Ø 170    | Roue Ø 170         | Rad. Ø 170         |                   |
| 93   | 22110418/0  | 2    | Coprimozzo       | Hub Cap        | Couvre-Moyeu       | Radkappe           |                   |
| 94   | 81007382/0  | 2    | Ruota Ø 210      | Wheel Ø 210    | Roue Ø 210         | Rad. Ø 210         |                   |
| 95   | 22110419/0  | 2    | Coprimozzo       | Hub Cap        | Couvre-Moyeu       | Radkappe           |                   |
| 96   | 22675100/0  | 2    | Rosetta          | Washer         | Rondelle           | Scheibe            |                   |
| 97   | 22675100/0  | 2    | Rosetta          | Washer         | Rondelle           | Scheibe            |                   |
| 171  | 22140224/0  | 1    | Tappo            | Cap            | Bouchon            | Gummistopfen       |                   |

www.emc-motoculture.com

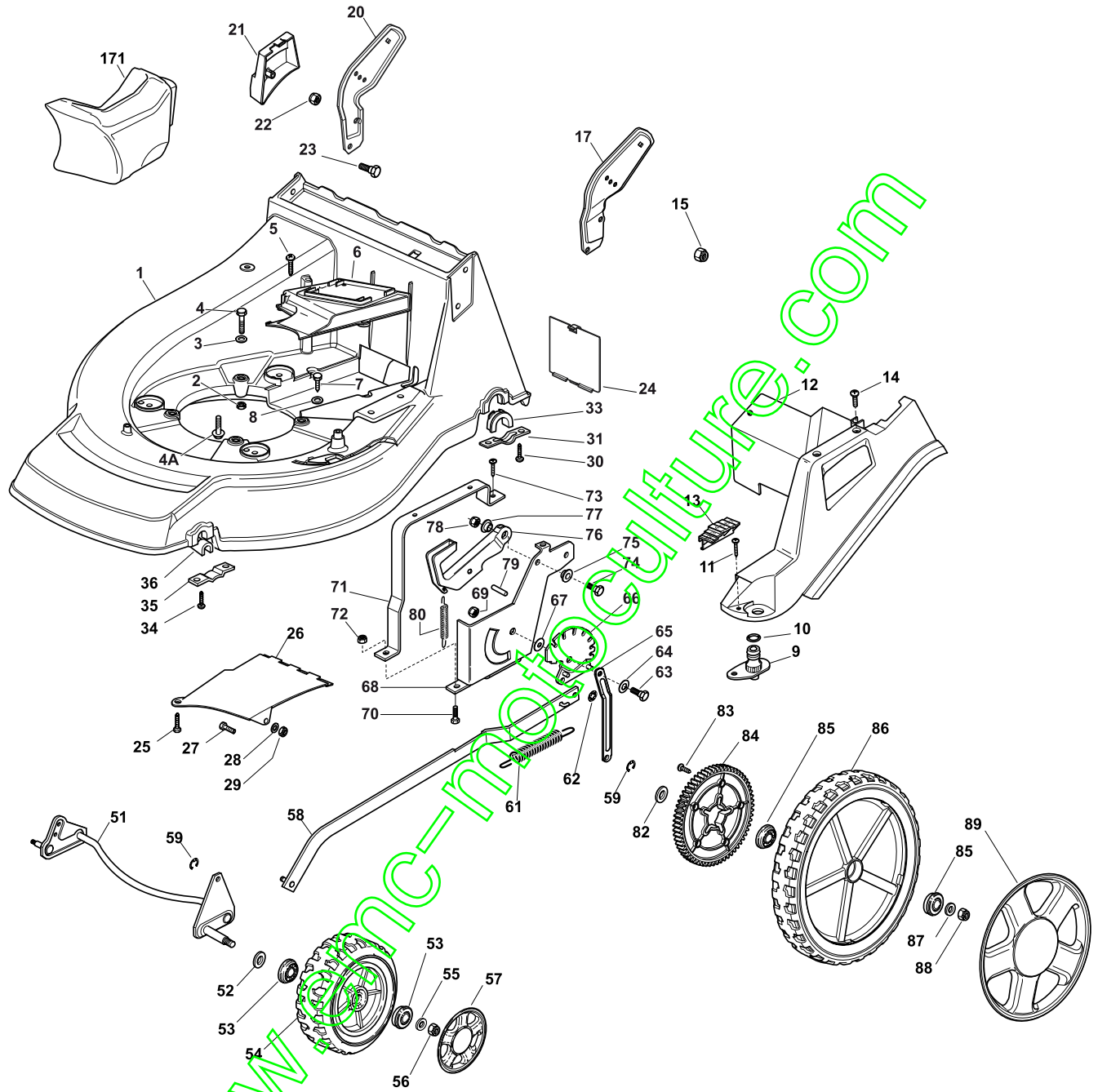
# NP 534



2009

54\_002

1 / 3



| POS. | CODE        | Q.TY | DESCRIZIONE    | DESCRIPTION      | DESCRIPTION   | BESCHREIBUNG   | REMARKS |
|------|-------------|------|----------------|------------------|---------------|----------------|---------|
| 1    | 381003543/1 | 1    | Chassis Rosso  | Deck Red         | Châssis Rouge | Gehäuse Rot    |         |
| 2    | 12155000/0  | 3    | Dado           | Nut              | Ecrou         | Mutter         |         |
| 3    | 12521350/0  | 3    | Rosetta        | Washer           | Rondelle      | Scheibe        |         |
| 4    | 12691800/0  | 2    | Vite           | Screw            | Vis           | Schraube       | (B&S)   |
| 4    | 12692080/0  | 1    | Vite           | Screw            | Vis           | Schraube       | (B&S)   |
| 4    | 12691900/0  | 3    | Vite           | Screw            | Vis           | Schraube       | (Ggp)   |
| 4A   | 112735108/1 | 3    | Vite           | Screw            | Vis           | Schraube       | (Honda) |
| 5    | 12728522/0  | 2    | Vite           | Screw            | Vis           | Schraube       |         |
| 6    | 22060200/1  | 1    | Carter Cinghia | Protection, Belt | Protection    | Schutz, Riemen |         |



| POS. | CODE        | Q.TY | DESCRIZIONE                  | DESCRIPTION                | DESCRIPTION                   | BESCHREIBUNG            | REMARKS |
|------|-------------|------|------------------------------|----------------------------|-------------------------------|-------------------------|---------|
| 7    | 12729600/0  | 1    | Vite                         | Screw                      | Vis                           | Schraube                |         |
| 8    | 12523040/0  | 2    | Rosetta                      | Washer                     | Rondelle                      | Scheibe                 |         |
| 9    | 22034000/0  | 1    | Attacco Acqua Lavaggio       | Washing Connection         | Attaque Lavage                | Waschenverbindung       |         |
| 10   | 19035000/0  | 1    | Anello Or                    | Or Ring                    | Bague Or                      | Ring Or                 |         |
| 11   | 12728519/0  | 3    | Vite                         | Screw                      | Vis                           | Schraube                |         |
| 12   | 322060144/3 | 1    | Carter Regolazione           | Deck, Adjustment           | Châssis Reglage               | Gehäuse                 |         |
| 13   | 22570200/0  | 1    | Placchetta Posizioni         | Plate, Cutting Positions   | Plaquette Reglage             | Platte, Höheverstellung |         |
| 14   | 12728520/0  | 1    | Vite                         | Screw                      | Vis                           | Schraube                |         |
| 15   | 12155000/0  | 2    | Dado                         | Nut                        | Ecrou                         | Mutter                  |         |
| 17   | 22778397/1  | 1    | Staffa Sx                    | Bracket, L                 | Bride G                       | Pratze, Linke           |         |
| 20   | 22778396/1  | 1    | Staffa Dx                    | Bracket, R                 | Bride D                       | Pratze, Rechte          |         |
| 21   | 22601001/0  | 1    | Protezione                   | Protection                 | Protection                    | Schutz                  |         |
| 22   | 12155000/0  | 2    | Dado                         | Nut                        | Ecrou                         | Mutter                  |         |
| 23   | 12793301/0  | 2    | Vite                         | Screw                      | Vis                           | Schraube                |         |
| 24   | 22595352/0  | 1    | Portina Chiusura             | Inspection Door            | Voyant De Visite              | Abdeckplatte            |         |
| 25   | 12729600/0  | 1    | Vite                         | Screw                      | Vis                           | Schraube                |         |
| 26   | 22108205/0  | 1    | Convogliatore                | Conveyor                   | Convoyeur                     | Konveyor                |         |
| 27   | 12789000/0  | 1    | Vite                         | Screw                      | Vis                           | Schraube                |         |
| 28   | 12523020/0  | 1    | Rosetta                      | Washer                     | Rondelle                      | Scheibe                 |         |
| 29   | 12154330/0  | 1    | Dado                         | Nut                        | Ecrou                         | Mutter                  |         |
| 30   | 12731350/0  | 4    | Vite                         | Screw                      | Vis                           | Schraube                |         |
| 31   | 322545177/0 | 2    | Piastrina                    | Plate                      | Plaque                        | Platte                  |         |
| 33   | 22038407/0  | 2    | Bronzina                     | Brass                      | Douille                       | Buchse                  |         |
| 34   | 12731350/0  | 4    | Vite                         | Screw                      | Vis                           | Schraube                |         |
| 35   | 22545156/0  | 2    | Piastrina                    | Plate                      | Plaque                        | Platte                  |         |
| 36   | 22038400/1  | 2    | Bronzina                     | Brass                      | Douille                       | Buchse                  |         |
| 51   | 381002865/0 | 1    | Asse Ruote Anteriori         | Axle, Front Wheels         | Axe Roues Avant               | Achse, Vorderrad        |         |
| 58   | 381002023/0 | 1    | Asta Comando Regol. Altezza  | Rod, Height Adjustment     | Tige Commande Reglage Hauteur | Stange, Höheverstellung |         |
| 59   | 12000930/0  | 2    | Anello Elastico              | Snap Ring                  | Anneau Ressort                | Sprengring              |         |
| 61   | 122446187/0 | 1    | Molla                        | Spring                     | Ressort                       | Feder                   |         |
| 62   | 12604899/0  | 2    | Fissatore A Corona           | Crown Fastener             | Fixateur A                    | Kronescheibe            |         |
| 63   | 22529662/0  | 1    | Perno Fulcro                 | Fulcrum Pin                | Pivot                         | Bolzen                  |         |
| 64   | 22672151/0  | 1    | Rosetta                      | Washer                     | Rondelle                      | Scheibe                 |         |
| 65   | 322033299/0 | 1    | Asta Asse Posteriore         | Rod, Rear Wheels Axle      | Tige, Axe Roue Arrieres       | Stange, Hinterradachse  |         |
| 66   | 381000499/0 | 1    | Settore Regolazione Altezza  | Sector, Height Adjustment  | Secteur Reglage Hauteur       | Sektor, Höheverstellung |         |
| 67   | 22672152/0  | 1    | Rosetta                      | Washer                     | Rondelle                      | Scheibe                 |         |
| 68   | 22785109/0  | 1    | Supporto Regolazione Altezza | Support, Height Adjustment | Support Reglage               | Halter, Höheverstellung |         |
| 69   | 12293201/0  | 1    | Dado                         | Nut                        | Ecrou                         | Mutter                  |         |
| 70   | 12793301/0  | 2    | Vite                         | Screw                      | Vis                           | Schraube                |         |
| 71   | 22785113/0  | 1    | Supporto Maniglia            | Support, Handle            | Support Poignée               | Halter, Griff           |         |
| 72   | 12293201/0  | 2    | Dado                         | Nut                        | Ecrou                         | Mutter                  |         |
| 73   | 12729600/0  | 1    | Vite                         | Screw                      | Vis                           | Schraube                |         |
| 74   | 12793301/0  | 1    | Vite                         | Screw                      | Vis                           | Schraube                |         |
| 75   | 25038002/1  | 2    | Bussola                      | Bush                       | Douille                       | Buchse                  |         |
| 76   | 322393611/2 | 1    | Maniglia                     | Handle                     | Poignée                       | Griff                   |         |
| 78   | 12293201/0  | 1    | Dado                         | Nut                        | Ecrou                         | Mutter                  |         |
| 79   | 12622640/0  | 1    | Spina                        | Pin                        | Goupille                      | Stift                   |         |
| 80   | 22446175/0  | 1    | Molla                        | Spring                     | Ressort                       | Feder                   |         |
| 52   | 12530150/0  | 2    | Rosetta                      | Washer                     | Rondelle                      | Scheibe                 |         |
| 53   | 22122200/0  | 4    | Cuscinetto                   | Bearing                    | Coussinet                     | Lager                   |         |

| POS. | CODE        | Q.TY | DESCRIZIONE    | DESCRIPTION   | DESCRIPTION        | BESCHREIBUNG   | REMARKS           |
|------|-------------|------|----------------|---------------|--------------------|----------------|-------------------|
| 54   | 381007390/0 | 2    | Ruota Ø 210    | Wheel Ø 210   | Roue Ø 210         | Rad Ø 210      |                   |
| 55   | 12521350/0  | 2    | Rosetta        | Washer        | Rondelle           | Scheibe        |                   |
| 56   | 12155000/0  | 2    | Dado           | Nut           | Ecrou              | Mutter         |                   |
| 57   | -           | 2    | Coprizzo       | Hub Cap       | Couvre-Moyeu       | Radkappe       | (See Enclosure 2) |
| 82   | 22675100/0  | 2    | Rosetta        | Washer        | Rondelle           | Scheibe        |                   |
| 83   | 12728691/0  | 6    | Vite           | Screw         | Vis                | Schraube       |                   |
| 84   | 22120110/0  | 2    | Ruota Dentata  | Sprocket      | Couronne           | Zahnkettenrad  |                   |
| 85   | 22122200/0  | 4    | Cuscinetto     | Bearing       | Coussinet          | Lager          |                   |
| 86   | 381007391/0 | 2    | Ruota Ø 300    | Wheel Ø 300   | Roue Ø 300         | Rad Ø 300      |                   |
| 87   | 12521350/0  | 4    | Rosetta        | Washer        | Rondelle           | Scheibe        |                   |
| 88   | 12155000/0  | 2    | Dado           | Nut           | Ecrou              | Mutter         |                   |
| 89   | -           | 2    | Coprizzo Ø 300 | Hub Cap Ø 300 | Couvre-Moyeu Ø 300 | Radkappe Ø 300 | (See Enclosure 3) |
| 171  | 22140224/0  | 1    | Tappo          | Cap           | Bouchon            | Gummistopfen   |                   |

www.emc-motoculture.com

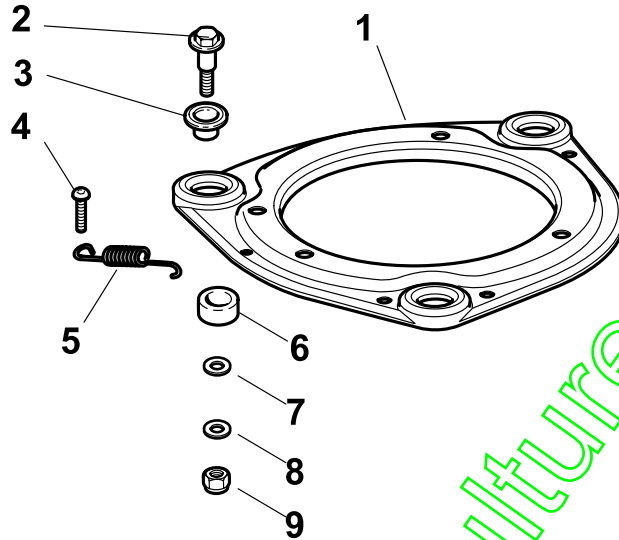
# NP 534

2009

54\_003

1 / 1

|    |      |       |         |         |           |            |              |
|----|------|-------|---------|---------|-----------|------------|--------------|
| TR | TR-E | TR 3S | TR-E 3S | W<br>TR | W<br>TR-E | W<br>TR 3S | W<br>TR-E 3S |
|----|------|-------|---------|---------|-----------|------------|--------------|



| POS. | CODE       | Q.TY | DESCRIZIONE | DESCRIPTION | DESCRIPTION | BESCHREIBUNG | REMARKS |
|------|------------|------|-------------|-------------|-------------|--------------|---------|
| 1    | 22207223/0 | 1    | Flangia     | Flange      | Bride       | Flansch      |         |
| 2    | 22524329/0 | 3    | Perno       | Pin         | Pivot       | Bolzen       |         |
| 3    | 22672201/0 | 3    | Rosetta     | Washer      | Rondelle    | Scheibe      |         |
| 4    | 12729601/1 | 1    | Vite        | Screw       | Vis         | Schraube     |         |
| 5    | 22450445/0 | 1    | Molla       | Spring      | Ressort     | Feder        |         |
| 6    | 22250012/0 | 3    | Gommino     | Grommet     | Caoutchouc  | Gummi        |         |
| 7    | 22671651/0 | 3    | Rosetta     | Washer      | Rondelle    | Scheibe      |         |
| 8    | 12521350/0 | 3    | Rosetta     | Washer      | Rondelle    | Scheibe      |         |
| 9    | 12155000/0 | 3    | Dado        | Nut         | Ecrou       | Mutter       |         |

# NP 534

2009

54\_004

1 / 1

TR

TR-E

TR 3S

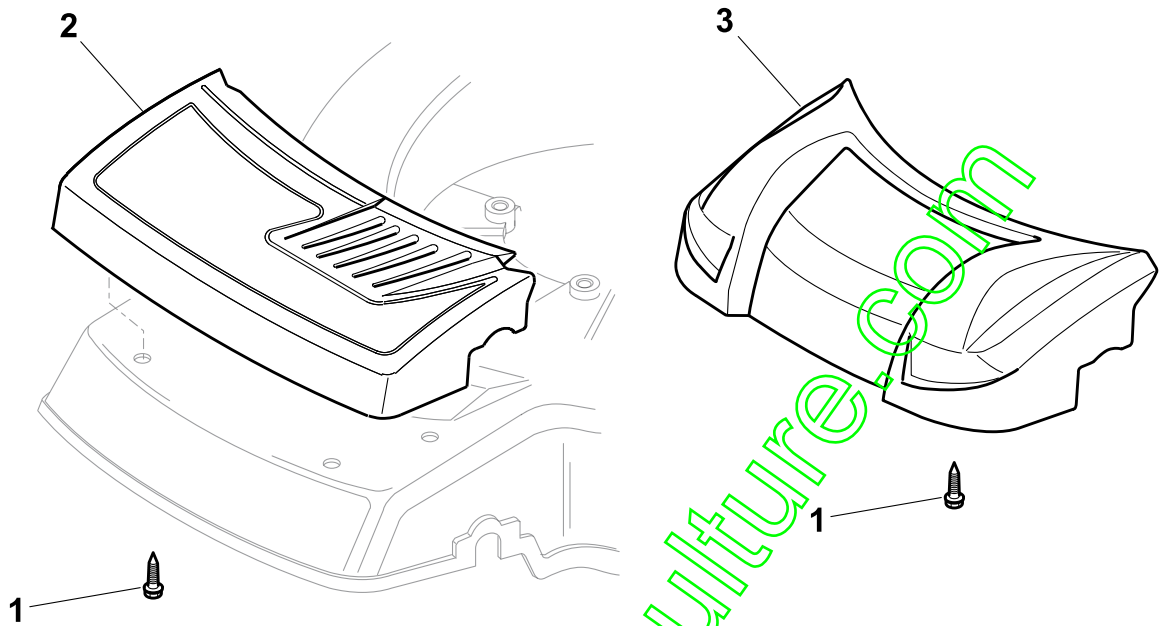
TR-E 3S

W  
TR

W  
TR-E

W  
TR 3S

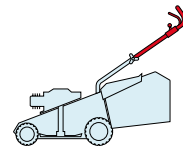
W  
TR-E 3S



| POS. | CODE        | Q.TY | DESCRIZIONE        | DESCRIPTION | DESCRIPTION  | BESCHREIBUNG   | REMARKS |
|------|-------------|------|--------------------|-------------|--------------|----------------|---------|
| 1    | 112735420/0 | 4    | Vite               | Screw       | Vis          | Schraube       |         |
| 2    | 22226050/0  | 1    | Mascherina, Nero   | Mask, Black | Mesque, Noir | Maske, Schwarz |         |
| 3    | 32226112/1  | 1    | Mascherina, Grigio | Mask, Grey  | Mesque, Gris | Maske, Grau    |         |

# NP 534

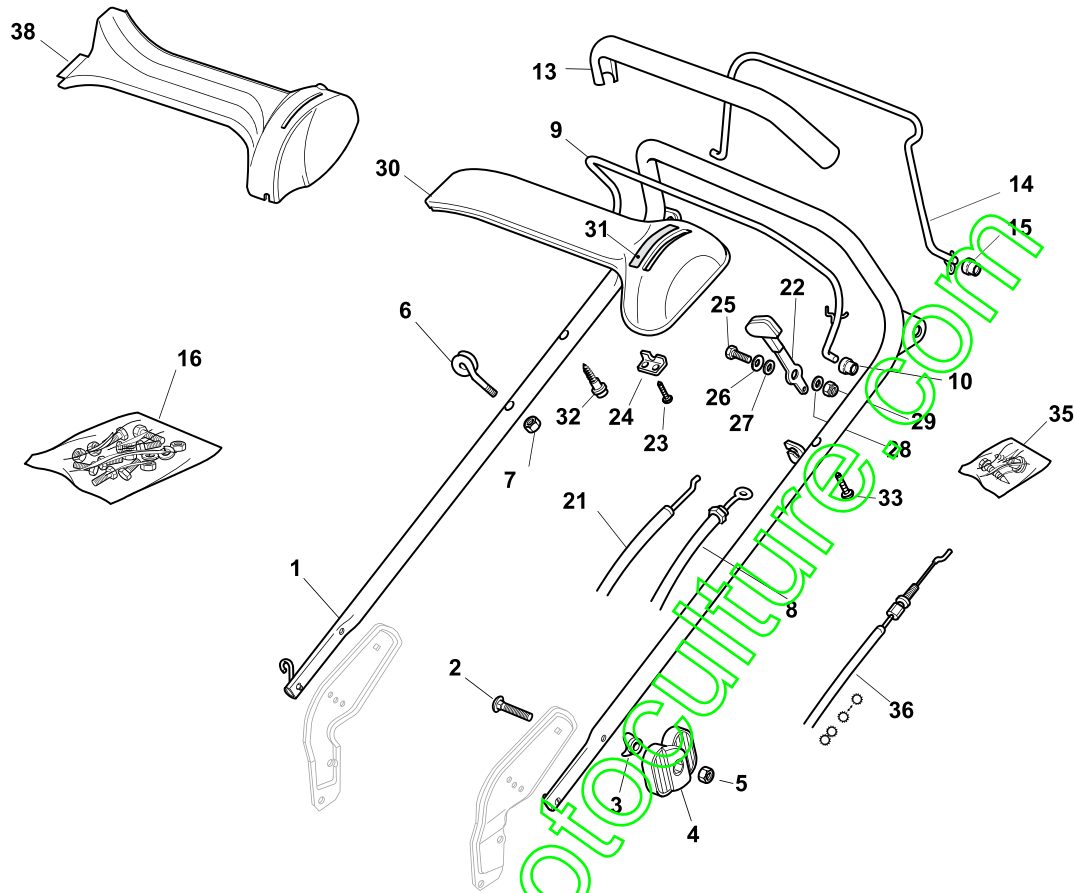
TR TR-E TR 3S TR-E 3S W TR W TR-E W TR 3S W TR-E 3S



2009

54\_005

1 / 2

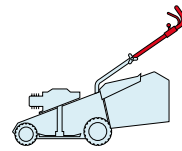


| POS. | CODE        | Q.TY | DESCRIZIONE             | DESCRIPTION                | DESCRIPTION                  | BESCHREIBUNG       | REMARKS                      |
|------|-------------|------|-------------------------|----------------------------|------------------------------|--------------------|------------------------------|
| 1    | 81006861/0  | 1    | Manico, Parte Sup       | Handle, Upper Part         | Mancheron, Partie Supérieure | Holm, Oberteil     |                              |
| 2    | 12819120/0  | 2    | Vite                    | Screw                      | Vis                          | Schraube           |                              |
| 3    | 22680006/1  | 2    | Rosetta                 | Washer                     | Rondelle                     | Scheibe            |                              |
| 4    | 22399803/0  | 2    | Manopolina              | Knob                       | Poignée                      | Griff              |                              |
| 5    | 12293200/0  | 2    | Dado                    | Nut                        | Ecrou                        | Mutter             |                              |
| 6    | 22430309/0  | 1    | Molla Guida             | Guide Spring               | Ressort De Guide             | Feder Führer       |                              |
| 7    | 12154330/0  | 1    | Dado                    | Nut                        | Ecrou                        | Mutter             |                              |
| 8    | 81000757/0  | 1    | Cavo Freno Motore       | Cable, Thread Engine Brake | Cable Frein Moteur           | Kabel, Motorbremse | (B&S 675 Series)             |
| 8    | 81000634/0  | 1    | Cavo Freno Motore       | Cable, Thread Engine Brake | Cable Frein Moteur           | Kabel, Motorbremse | 534 Tr/E (B&S 675 Series Es) |
| 8    | 181030006/0 | 1    | Cavo Freno Motore       | Cable, Thread Engine Brake | Cable Frein Moteur           | Kabel, Motorbremse | (B&S 700 Series)             |
| 8    | 81000616/1  | 1    | Cavo Freno Motore       | Cable, Thread Engine Brake | Cable Frein Moteur           | Kabel, Motorbremse | (Honda)                      |
| 8    | 81000616/1  | 1    | Cavo Freno Motore       | Cable, Thread Engine Brake | Cable Frein Moteur           | Kabel, Motorbremse | (Ggp 160cc)                  |
| 8    | 81000616/1  | 1    | Cavo Freno Motore       | Cable, Thread Engine Brake | Cable Frein Moteur           | Kabel, Motorbremse | (Ggp 196cc)                  |
| 9    | 81003291/3  | 1    | Leva Freno Motore       | Lever, Engine Brake        | Levier Frein Moteur          | Hebel, Motorbremse |                              |
| 10   | 22041966/0  | 2    | Bussola                 | Bush                       | Douille                      | Buchse             |                              |
| 11   | 12728518/0  | 1    | Vite                    | Screw                      | Vis                          | Schraube           |                              |
| 12   | 22806612/0  | 1    | Supporto                | Support                    | Support                      | Halter             |                              |
| 13   | 22291050/0  | 1    | Impugnatura Manico Nera | Handgrip Black             | Poignée Noire                | Handgriff Schwarz  |                              |
| 14   | 81003288/1  | 1    | Leva Trazione           | Lever, Driving             | Levier Traction              | Hebel, Antrieb     |                              |
| 15   | 22041965/1  | 2    | Bussola                 | Bush                       | Douille                      | Buchse             |                              |
| 16   | 81008610/0  | 1    | Dotazione Viteria       | Outfit, Screws             | Dotation Visserie            | Satz, Schrauben    |                              |

| POS. | CODE        | Q.TY | DESCRIZIONE                 | DESCRIPTION               | DESCRIPTION               | BESCHREIBUNG            | REMARKS                                               |
|------|-------------|------|-----------------------------|---------------------------|---------------------------|-------------------------|-------------------------------------------------------|
| 21   | 81007160/0  | 1    | Cavo Acceleratore           | Throttle Cable            | Cable, Accelérateur       | Gashebel Kabel          |                                                       |
| 22   | 81007280/2  | 1    | Leva, Acceleratore          | Lever, Throttle           | Levier,                   | Hebel, Beshleuniger     | (B&S 625-675-700 Series - Honda - Ggp 140-160-196 cc) |
| 22   | 81007221/0  | 1    | Leva, Acceleratore          | Lever, Throttle           | Levier,                   | Hebel, Beshleuniger     | (B&S 450-500 Series - Ggp 150 cc)                     |
| 23   | 12735105/0  | 2    | Vite                        | Screw                     | Vis                       | Schraube                |                                                       |
| 24   | 22981467/0  | 1    | Piastrina                   | Plate                     | Plaquette                 | Platte                  |                                                       |
| 25   | 12791500/0  | 1    | Vite                        | Screw                     | Vis                       | Schraube                |                                                       |
| 26   | 12530060/0  | 1    | Rosetta Elastica            | Elastic Washer            | Rondelle Elastique        | Elastische Scheibe      |                                                       |
| 27   | 12523040/0  | 1    | Rosetta                     | Washer                    | Rondelle                  | Scheibe                 |                                                       |
| 28   | 12523040/0  | 1    | Rosetta                     | Washer                    | Rondelle                  | Scheibe                 |                                                       |
| 29   | 12154510/0  | 1    | Dado                        | Nut                       | Ecrou                     | Mutter                  |                                                       |
| 30   | 22120152/0  | 1    | Cruscotto Giallo            | Dash Board Yellow         | Console Jaune             | Konsole Gelbe           |                                                       |
| 30   | 22120154/0  | 1    | Cruscotto Rosso             | Dash Board Red            | Console Rouge             | Konsole Rote            |                                                       |
| 30   | 22120158/0  | 1    | Cruscotto Nero              | Dash Board Black          | Console Noire             | Konsole Schwarze        |                                                       |
| 31   | 114356744/1 | 1    | Etichetta                   | Label                     | Etiquette                 | Etikette                | (B&S)                                                 |
| 31   | 114356906/1 | 1    | Etichetta                   | Label                     | Etiquette                 | Etikette                | (B&S 700 series DOV)                                  |
| 31   | 114356743/1 | 1    | Etichetta                   | Label                     | Etiquette                 | Etikette                | (GGP)                                                 |
| 31   | 114356743/1 | 1    | Etichetta                   | Label                     | Etiquette                 | Etikette                | (Honda)                                               |
| 31   | 114357646/1 | 1    | Etichetta                   | Label                     | Etiquette                 | Etikette                | (Honda GCV 160-190 Autochoke)                         |
| 32   | 22943006/0  | 1    | Vite                        | Screw                     | Vis                       | Schraube                |                                                       |
| 33   | 12728460/0  | 1    | Vite                        | Screw                     | Vis                       | Schraube                |                                                       |
| 35   | 81008609/0  | 1    | Dotazione Viteria Cruscotto | Outfit, Dash-Board Screws | Dotation Visserie Console | Satz, Konsole Schrauben |                                                       |
| 36   | 81000673/0  | 1    | Cavo Comando Trazione       | Cable, Rear Drive         | Câble, Commande Traction  | Kabel, Antrieb          | (Bi Ci Di)                                            |
| 36   | 81000669/0  | 1    | Cavo Comando Trazione       | Cable, Rear Drive         | Câble, Commande Traction  | Kabel, Antrieb          | (General Transmission)                                |
| 38   | 22120172/0  | 1    | Cruscotto Nero              | Dash Board Black          | Console Noire             | Konsole Schwarze        |                                                       |
| 38   | 22120173/0  | 1    | Cruscotto Rosso             | Dash Board Red            | Console Rouge             | Konsole Rote            |                                                       |
| 38   | 22120174/0  | 1    | Cruscotto Giallo            | Dash Board Yellow         | Console Jaune             | Konsole Gelbe           |                                                       |

# NP 534

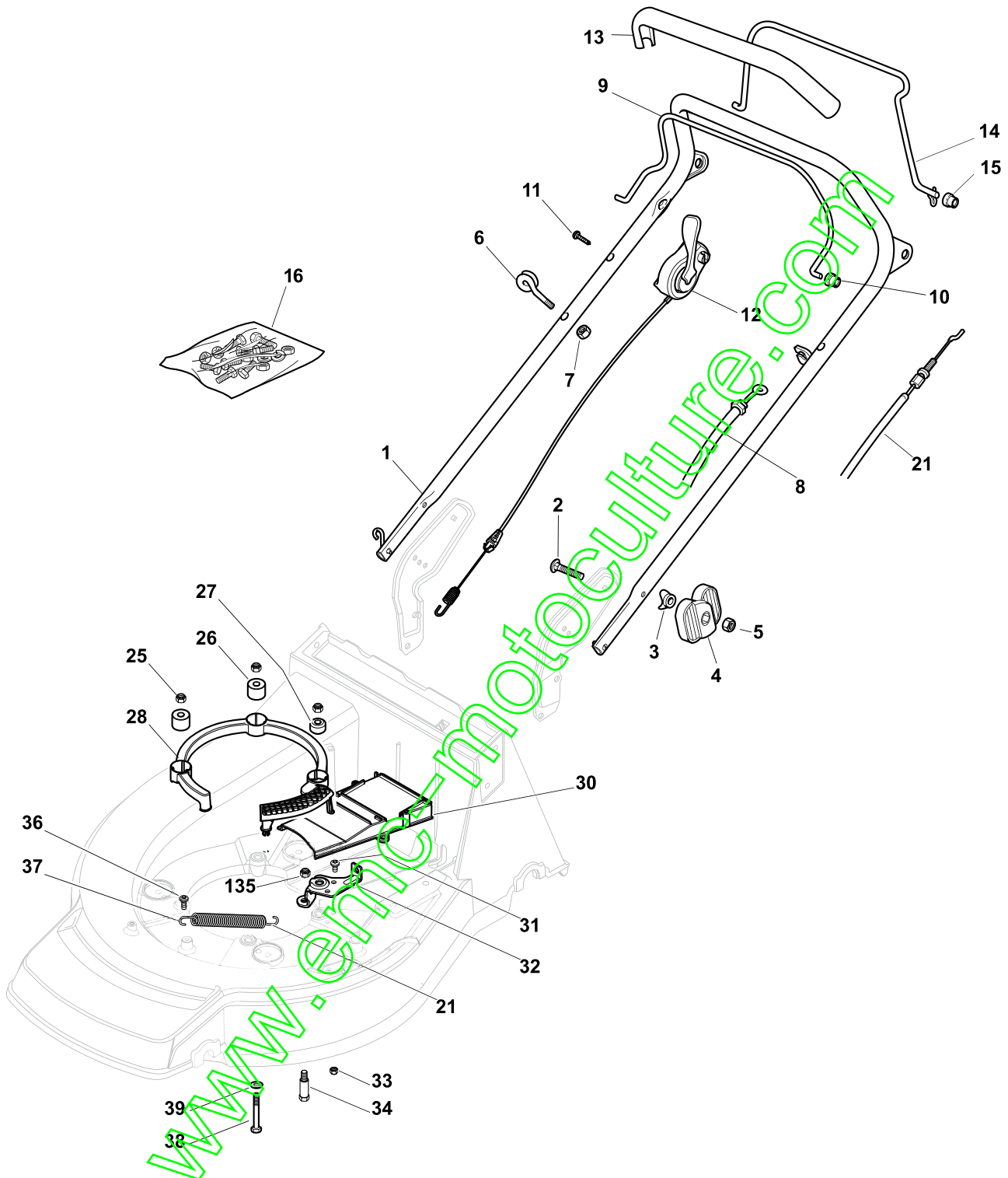
TR TR-E TR 3S TR-E 3S W TR W TR-E W TR 3S W TR-E 3S



2009

54\_006

1 / 2



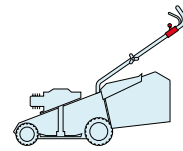
| POS. | CODE        | Q.TY | DESCRIZIONE       | DESCRIPTION        | DESCRIPTION                  | BESCHREIBUNG   | REMARKS |
|------|-------------|------|-------------------|--------------------|------------------------------|----------------|---------|
| 1    | 381006875/0 | 1    | Manico, Parte Sup | Handle, Upper Part | Mancheron, Partie Supérieure | Holm, Oberteil |         |
| 2    | 12819120/0  | 2    | Vite              | Screw              | Vis                          | Schraube       |         |
| 3    | 22680006/1  | 2    | Rosetta           | Washer             | Rondelle                     | Scheibe        |         |
| 4    | 22399803/0  | 2    | Manopolina        | Knob               | Poignée                      | Griff          |         |
| 5    | 12293200/0  | 2    | Dado              | Nut                | Ecrou                        | Mutter         |         |
| 6    | 22430309/0  | 1    | Molla Guida       | Guide Spring       | Ressort De Guide             | Feder Führer   |         |

| POS. | CODE        | Q.TY | DESCRIZIONE                     | DESCRIPTION                | DESCRIPTION                         | BESCHREIBUNG                | REMARKS                           |
|------|-------------|------|---------------------------------|----------------------------|-------------------------------------|-----------------------------|-----------------------------------|
| 7    | 12154330/0  | 1    | Dado                            | Nut                        | Ecrou                               | Mutter                      |                                   |
| 8    | 81000757/0  | 1    | Cavo Freno Motore               | Cable, Thread Engine Brake | Cable Frein Moteur                  | Kabel, Motorbremse          | (B&S 675 Series)                  |
| 8    | 81000634/0  | 1    | Cavo Freno Motore               | Cable, Thread Engine Brake | Cable Frein Moteur                  | Kabel, Motorbremse          | 534 Tr/E (B&S 675 Series Es)      |
| 8    | 181030006/0 | 1    | Cavo Freno Motore               | Cable, Thread Engine Brake | Cable Frein Moteur                  | Kabel, Motorbremse          | (B&S 700 Series)                  |
| 8    | 81000616/1  | 1    | Cavo Freno Motore               | Cable, Thread Engine Brake | Cable Frein Moteur                  | Kabel, Motorbremse          | (Honda)                           |
| 8    | 81000616/1  | 1    | Cavo Freno Motore               | Cable, Thread Engine Brake | Cable Frein Moteur                  | Kabel, Motorbremse          | (Ggp 160cc)                       |
| 8    | 81000616/1  | 1    | Cavo Freno Motore               | Cable, Thread Engine Brake | Cable Frein Moteur                  | Kabel, Motorbremse          | (Ggp 200cc)                       |
| 9    | 181003332/0 | 1    | Leva Freno Motore               | Lever, Engine Brake        | Levier Frein Moteur                 | Hebel, Motorbremse          |                                   |
| 10   | 22041966/0  | 2    | Bussola                         | Bush                       | Douille                             | Buchse                      |                                   |
| 11   | 12727784/0  | 1    | Vite                            | Screw                      | Vis                                 | Schraube                    |                                   |
| 12   | 381030033/0 | 1    | Cavo Comando Frizione Meccanica | Cable, Mechanical Clutch   | Câble, Commande Embrayage Mecanique | Kabel, Mechanische Kupplung |                                   |
| 13   | 22291050/0  | 1    | Impugnatura Manico Nera         | Handgrip Black             | Poignée Noire                       | Handgriff Schwarz           |                                   |
| 14   | 81003288/1  | 1    | Leva Trazione                   | Lever, Driving             | Levier Traction                     | Hebel, Antrieb              |                                   |
| 15   | 22041965/1  | 2    | Bussola                         | Bush                       | Douille                             | Buchse                      |                                   |
| 16   | 81008610/0  | 1    | Dotazione Viteria               | Outfit, Screws             | Dotation Visserie                   | Satz, Schrauben             |                                   |
| 21   | 81000673/0  | 1    | Cavo Comando Trazione           | Cable, Rear Drive          | Câble, Commande Traction            | Kabel, Antrieb              | (Bi Ci Di)                        |
| 21   | 81000669/0  | 1    | Cavo Comando Trazione           | Cable, Rear Drive          | Câble, Commande Traction            | Kabel, Antrieb              | (General Transmission)            |
| 25   | 12154210/0  | 3    | Dado                            | Nut                        | Ecrou                               | Mutter                      |                                   |
| 26   | 22170835/0  | 2    | Distanziale                     | Spacer                     | Entretoise                          | Distanzring                 |                                   |
| 27   | 122170836/0 | 1    | Distanziale                     | Spacer                     | Entretoise                          | Distanzring                 | (B&S 450-500 Series - Ggp 150 cc) |
| 28   | 322170961/0 | 1    | Protezione                      | Protection                 | Protection                          | Schutz                      |                                   |
| 30   | 322060228/0 | 1    | Carter Cinghia                  | Protection, Belt           | Protection                          | Schutz, Riemen              |                                   |
| 31   | 12735664/0  | 2    | Vite                            | Screw                      | Vis                                 | Schraube                    |                                   |
| 32   | 322551665/0 | 1    | Piastrina Fissaggio Cavo        | Plate For Cable Fastening  | Plaquette Fixage Câble              | Platte Kabelbefestigung     |                                   |
| 33   | 12154510/0  | 2    | Dado                            | Nut                        | Ecrou                               | Mutter                      |                                   |
| 34   | 125580018/0 | 1    | Perno                           | Pin                        | Pivot                               | Bolzen                      |                                   |
| 35   | 12155000/0  | 1    | Dado                            | Nut                        | Ecrou                               | Mutter                      |                                   |
| 36   | 12735664/0  | 1    | Vite                            | Screw                      | Vis                                 | Schraube                    |                                   |
| 37   | 122446188/0 | 1    | Molla                           | Spring                     | Ressort                             | Feder                       |                                   |
| 38   | 12692050/0  | 3    | Vite                            | Screw                      | Vis                                 | Schraube                    | (B&S)                             |
| 38   | 12692080/0  | 3    | Vite                            | Screw                      | Vis                                 | Schraube                    | (Honda)                           |
| 39   | 12521350/0  | 3    | Rosetta                         | Washer                     | Rondelle                            | Scheibe                     |                                   |



# NP 534

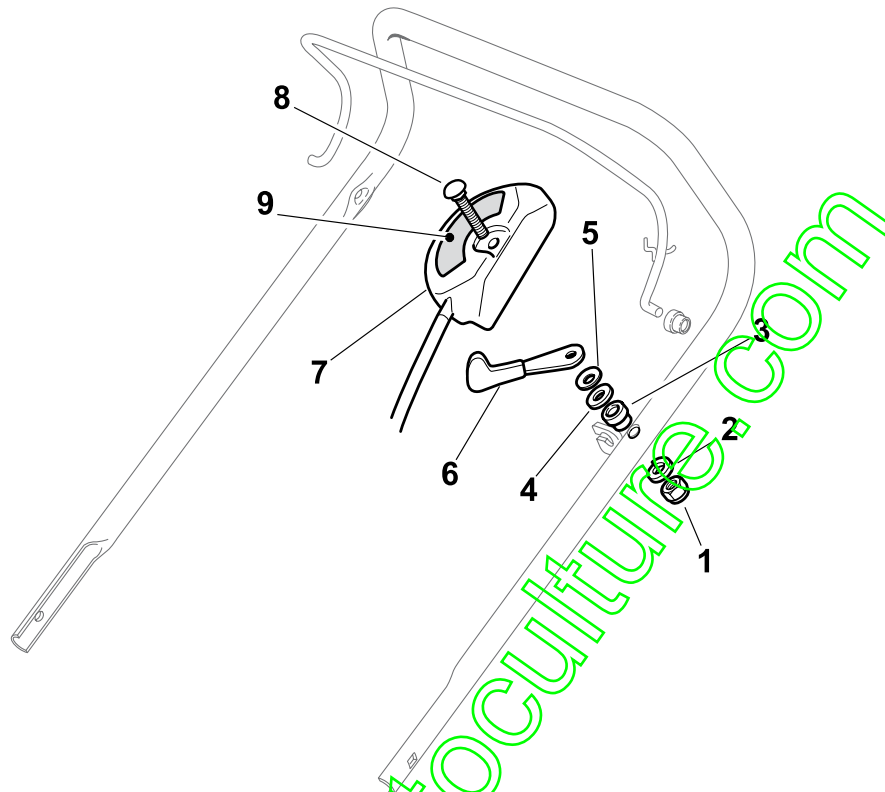
TR TR-E TR 3S TR-E 3S W TR W TR-E W TR 3S W TR-E 3S



2009

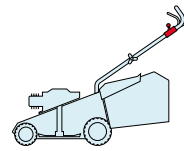
54\_007

1 / 1



| POS. | CODE        | Q.TY | DESCRIZIONE        | DESCRIPTION     | DESCRIPTION          | BESCHREIBUNG         | REMARKS                                               |
|------|-------------|------|--------------------|-----------------|----------------------|----------------------|-------------------------------------------------------|
| 1    | 12291000/0  | 1    | Dado               | Nut             | Ecrou                | Mutter               |                                                       |
| 2    | 12581500/0  | 1    | Grower             | Grower          | Grower               | Federring            |                                                       |
| 3    | 22171005/0  | 1    | Distanziale        | Spacer          | Entretoise           | Distanzring          |                                                       |
| 4    | 12521360/0  | 1    | Rosetta            | Washer          | Rondelle             | Scheibe              |                                                       |
| 5    | 12508100/0  | 1    | Rosetta Elastica   | Spring Washer   | Rondelle Elastique   | Elastische Scheibe   |                                                       |
| 6    | 81007279/1  | 1    | Leva, Acceleratore | Lever, Throttle | Levier, Accelérateur | Hebel, Beschleuniger | (B&S 625-675-700 Series - Honda - Ggp 140-160-196 cc) |
| 6    | 81007220/0  | 1    | Leva, Acceleratore | Lever, Throttle | Levier, Accelérateur | Hebel, Beschleuniger | (B&S 450-500 Series - Ggp 150 cc)                     |
| 7    | 81007080/0  | 1    | Cavo Acceleratore  | Throttle Cable  | Cable, Accelérateur  | Gashebel Kabel       |                                                       |
| 8    | 12815000/0  | 1    | Vite               | Screw           | Vis                  | Schraube             |                                                       |
| 9    | 14356703/0  | 1    | Etichetta          | Label           | Etiquette            | Etikette             | (B&S)                                                 |
| 9    | 114356905/0 | 1    | Etichetta          | Label           | Etiquette            | Etikette             | (B&S 700 series DOV)                                  |
| 9    | 14356702/0  | 1    | Etichetta          | Label           | Etiquette            | Etikette             | (GGP)                                                 |
| 9    | 114364264/0 | 1    | Etichetta          | Label           | Etiquette            | Etikette             | AVS (GGP 160-196)                                     |
| 9    | 14356702/0  | 1    | Etichetta          | Label           | Etiquette            | Etikette             | (Honda)                                               |
| 9    | 114356905/0 | 1    | Etichetta          | Label           | Etiquette            | Etikette             | (Honda GCV 160-190 Autochoke)                         |

# NP 534



2009

54\_008

1 / 1

TR

TR-E

TR 3S

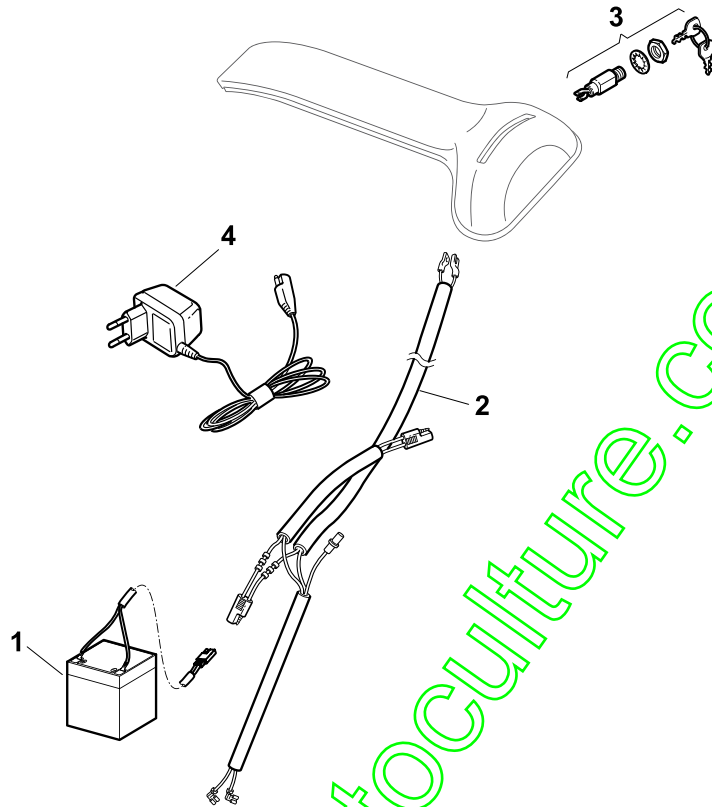
TR-E 3S

W  
TR

W  
TR-E

W  
TR 3S

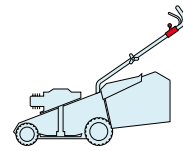
W  
TR-E 3S



| POS. | CODE        | Q.TY | DESCRIZIONE     | DESCRIPTION     | DESCRIPTION     | BESCHREIBUNG | REMARKS     |
|------|-------------|------|-----------------|-----------------|-----------------|--------------|-------------|
| 1    | 18120052/0  | 1    | Batteria        | Battery         | Batterie        | Batterie     |             |
| 2    | 118204192/3 | 1    | Cavo Avviamento | Cable, Start    | Cable Démarrage | Kabel, Start | (B&S - Ggp) |
| 2    | 18204198/0  | 1    | Cavo Avviamento | Cable, Start    | Cable Démarrage | Kabel, Start | (Honda)     |
| 3    | 18450050/0  | 1    | Interruttore    | Switch          | Interrupteur    | Schalter     |             |
| 4    | 18204120/0  | 1    | Carica Batteria | Battery Charger | Chargeur De     | Ladgerät     |             |
| 4    | 18204121/0  | 1    | Carica Batteria | Battery Charger | Chargeur De     | Ladgerät     | (Uk)        |

# NP 534

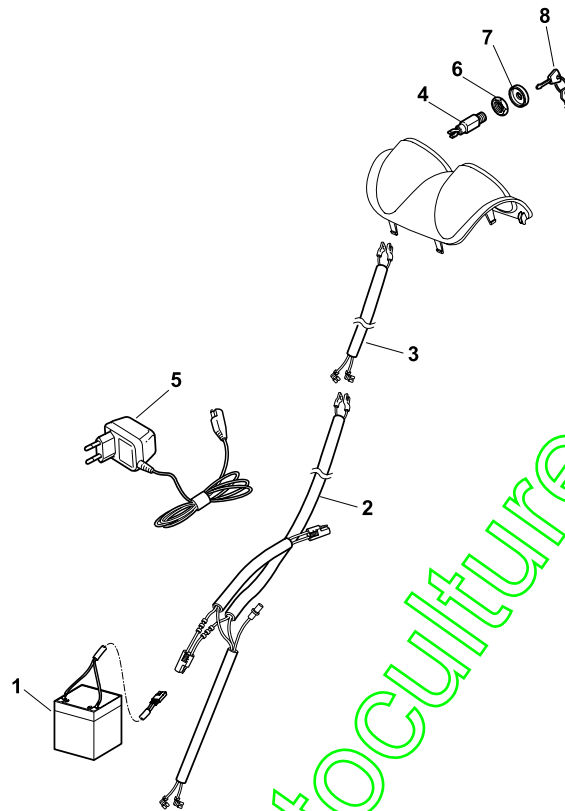
TR TR-E TR 3S TR-E 3S W TR W TR-E W TR 3S W TR-E 3S



2009

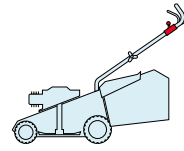
54\_009

1 / 1



| POS. | CODE        | Q.TY | DESCRIZIONE       | DESCRIPTION        | DESCRIPTION       | BESCHREIBUNG        | REMARKS     |
|------|-------------|------|-------------------|--------------------|-------------------|---------------------|-------------|
| 1    | 18120052/0  | 1    | Batteria          | Battery            | Batterie          | Batterie            |             |
| 2    | 118204192/3 | 1    | Cavo Avviamento   | Cable, Start       | Cable Démarrage   | Kabel, Start        | (B&S - Ggp) |
| 2    | 18204198/0  | 1    | Cavo Avviamento   | Cable, Start       | Cable Démarrage   | Kabel, Start        | (Honda)     |
| 3    | 18204199/0  | 1    | Cavo              | Cable              | Cable             | Kabel               |             |
| 4    | 18450050/0  | 1    | Interruttore      | Switch             | Interrupteur      | Schalter            |             |
| 5    | 18204120/0  | 1    | Carica Batteria   | Battery Charger    | Chargeur De       | Ladgerät            |             |
| 5    | 18204121/0  | 1    | Carica Batteria   | Battery Charger    | Chargeur De       | Ladgerät            | (Uk)        |
| 6    | 18400861/0  | 1    | Ghiera            | Ringnut            | Embout            | Nutmutter           |             |
| 7    | 18565351/0  | 1    | Protezione Ghiera | Ringnut Protection | Protection Embout | Nutmutter Schutz    |             |
| 8    | 18210016/1  | 1    | Chiave Avviamento | Starting Key       | Clef A Demarrage  | Schlüssel Für Start |             |

# NP 534

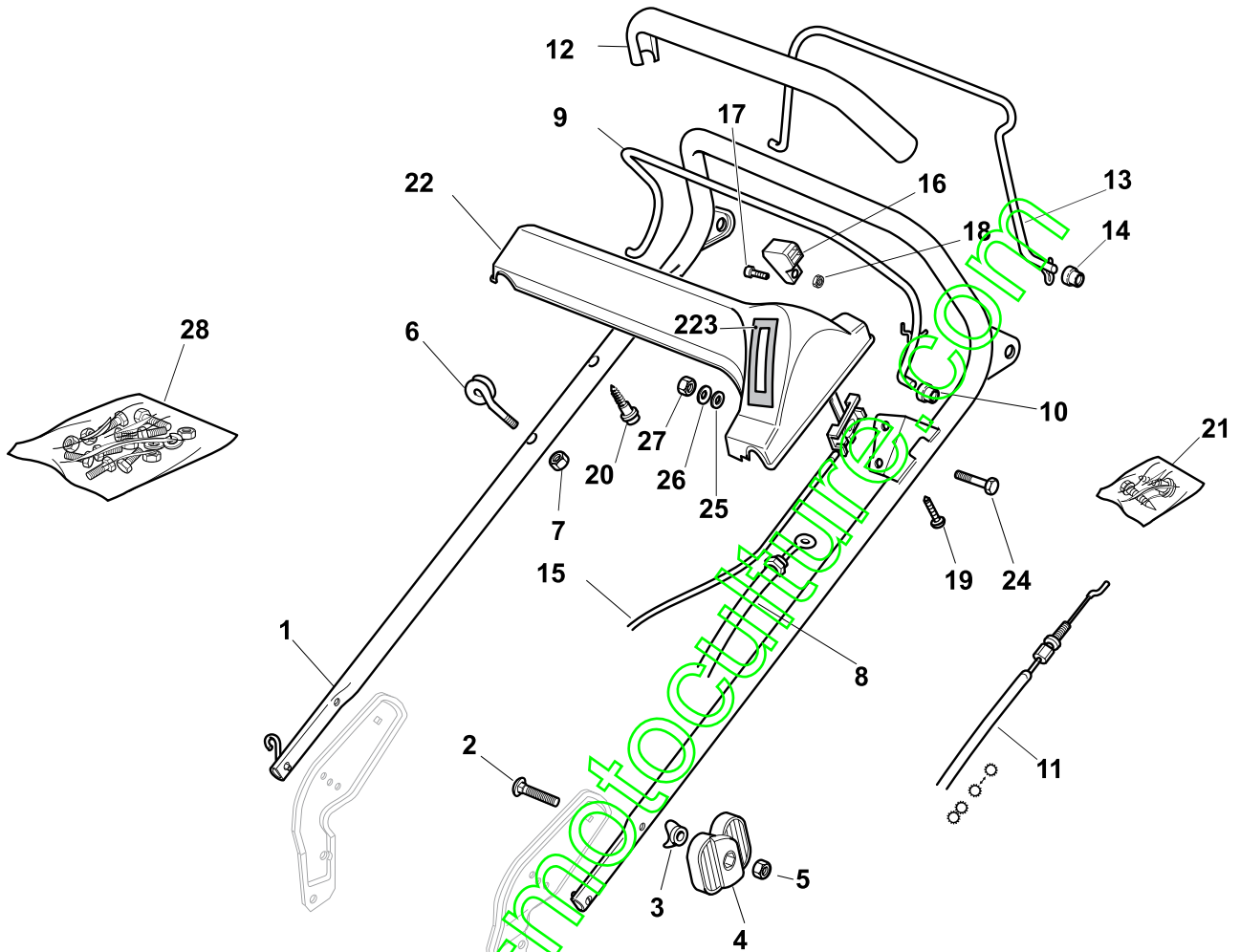


2009

54\_010

1 / 2

|    |      |       |         |      |        |         |           |
|----|------|-------|---------|------|--------|---------|-----------|
| TR | TR-E | TR 3S | TR-E 3S | W TR | W TR-E | W TR 3S | W TR-E 3S |
|----|------|-------|---------|------|--------|---------|-----------|



| POS. | CODE        | Q.TY | DESCRIZIONE           | DESCRIPTION                | DESCRIPTION                  | BESCHREIBUNG       | REMARKS                      |
|------|-------------|------|-----------------------|----------------------------|------------------------------|--------------------|------------------------------|
| 1    | 81007028/1  | 1    | Manico, Parte Sup     | Handle, Upper Part         | Mancheron, Partie Supérieure | Holm, Oberteil     |                              |
| 2    | 12819120/0  | 2    | Vite                  | Screw                      | Vis                          | Schraube           |                              |
| 3    | 22680006/1  | 2    | Rosetta               | Washer                     | Rondelle                     | Scheibe            |                              |
| 4    | 22399803/0  | 2    | Manopolina            | Knob                       | Poignée                      | Griff              |                              |
| 5    | 12293200/0  | 2    | Dado                  | Nut                        | Ecrou                        | Mutter             |                              |
| 6    | 22430309/0  | 1    | Molla Guida           | Guide Spring               | Ressort De Guide             | Feder Führer       |                              |
| 7    | 12154330/0  | 1    | Dado                  | Nut                        | Ecrou                        | Mutter             |                              |
| 8    | 81000757/0  | 1    | Cavo Freno Motore     | Cable, Thread Engine Brake | Cable Frein Moteur           | Kabel, Motorbremse | (B&S 675 Series)             |
| 8    | 81000634/0  | 1    | Cavo Freno Motore     | Cable, Thread Engine Brake | Cable Frein Moteur           | Kabel, Motorbremse | 534 Tr/E (B&S 675 Series Es) |
| 8    | 181030006/0 | 1    | Cavo Freno Motore     | Cable, Thread Engine Brake | Cable Frein Moteur           | Kabel, Motorbremse | (B&S 700 Series)             |
| 8    | 81000616/1  | 1    | Cavo Freno Motore     | Cable, Thread Engine Brake | Cable Frein Moteur           | Kabel, Motorbremse | (Honda)                      |
| 8    | 81000616/1  | 1    | Cavo Freno Motore     | Cable, Thread Engine Brake | Cable Frein Moteur           | Kabel, Motorbremse | (Ggp 160cc)                  |
| 8    | 81000616/1  | 1    | Cavo Freno Motore     | Cable, Thread Engine Brake | Cable Frein Moteur           | Kabel, Motorbremse | (Ggp 196cc)                  |
| 9    | 81003291/3  | 1    | Leva Freno Motore     | Lever, Engine Brake        | Levier Frein Moteur          | Hebel, Motorbremse |                              |
| 10   | 22041966/0  | 2    | Bussola               | Bush                       | Douille                      | Buchse             |                              |
| 11   | 81000673/0  | 1    | Cavo Comando Trazione | Cable, Rear Drive          | Câble, Commande Traction     | Kabel, Antrieb     | (Bi Ci Di)                   |
| 11   | 81000669/0  | 1    | Cavo Comando Trazione | Cable, Rear Drive          | Câble, Commande Traction     | Kabel, Antrieb     | (General Transmission)       |

| POS. | CODE        | Q.TY | DESCRIZIONE                 | DESCRIPTION               | DESCRIPTION               | BESCHREIBUNG            | REMARKS                       |
|------|-------------|------|-----------------------------|---------------------------|---------------------------|-------------------------|-------------------------------|
| 12   | 22291050/0  | 1    | Impugnatura Manico Nera     | Handgrip Black            | Poignée Noire             | Handgriff Schwarz       |                               |
| 13   | 81003288/1  | 1    | Leva Trazione               | Lever, Driving            | Levier Traction           | Hebel, Antrieb          |                               |
| 14   | 22041965/1  | 2    | Bussola                     | Bush                      | Douille                   | Buchse                  |                               |
| 15   | 81007091/0  | 1    | Cavo Acceleratore           | Throttle Cable            | Cable, Accelérateur       | Gashebel Kabel          | (B&S)                         |
| 15   | 81007092/0  | 1    | Cavo Acceleratore           | Throttle Cable            | Cable, Accelérateur       | Gashebel Kabel          | (Honda - GGP)                 |
| 16   | 22399801/0  | 1    | Manopolina                  | Knob                      | Poignée                   | Griff                   |                               |
| 17   | 12726388/0  | 1    | Vite                        | Screw                     | Vis                       | Schraube                |                               |
| 18   | 12290800/0  | 1    | Dado                        | Nut                       | Ecrou                     | Mutter                  |                               |
| 19   | 12728460/0  | 1    | Vite                        | Screw                     | Vis                       | Schraube                |                               |
| 20   | 22943006/0  | 1    | Vite                        | Screw                     | Vis                       | Schraube                |                               |
| 21   | 81008499/1  | 1    | Dotazione Viteria Cruscotto | Outfit, Dash-Board Screws | Dotation Visserie Console | Satz, Konsole Schrauben |                               |
| 22   | 22120148/0  | 1    | Cruscotto Giallo            | Dash Board Yellow         | Console Jaune             | Konsole Gelbe           |                               |
| 22   | 22120150/0  | 1    | Cruscotto Rosso             | Dash Board Red            | Console Rouge             | Konsole Rote            |                               |
| 22   | 22120164/0  | 1    | Cruscotto Nero              | Dash Board Black          | Console Noire             | Konsole Schwarze        |                               |
| 23   | 114356795/1 | 1    | Etichetta                   | Label                     | Etiquette                 | Etikette                | (B&S)                         |
| 23   | 114357651/1 | 1    | Etichetta                   | Label                     | Etiquette                 | Etikette                | (B&S 700 series DOV)          |
| 23   | 114356797/1 | 1    | Etichetta                   | Label                     | Etiquette                 | Etikette                | (Honda)                       |
| 23   | 114357651/1 | 1    | Etichetta                   | Label                     | Etiquette                 | Etikette                | (Honda GCV 160-190 Autochoke) |
| 24   | 12788910/0  | 2    | Vite                        | Screw                     | Vis                       | Schraube                |                               |
| 25   | 12523020/0  | 2    | Rosetta                     | Washer                    | Rondelle                  | Scheibe                 |                               |
| 26   | 12581500/0  | 2    | Grower                      | Grower                    | Grower                    | Federring               |                               |
| 27   | 12291000/0  | 2    | Dado                        | Nut                       | Ecrou                     | Mutter                  |                               |
| 28   | 81008610/0  | 1    | Dotazione Viteria           | Outfit, Screws            | Dotation Visserie         | Satz, Schrauben         |                               |

# NP 534

TR

TR-E

TR 3S

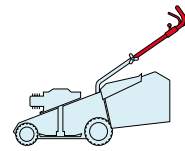
TR-E 3S

W  
TR

W  
TR-E

W  
TR 3S

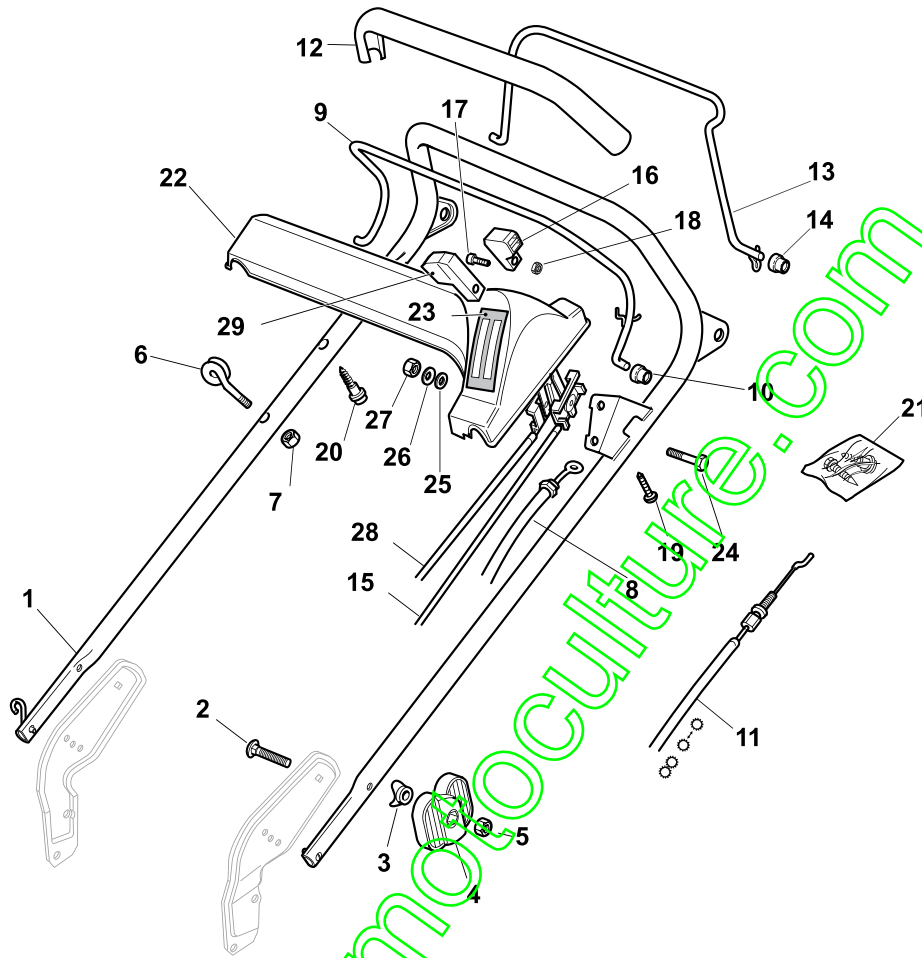
W  
TR-E 3S



2009

54\_011

1 / 2



| POS. | CODE       | Q.TY | DESCRIZIONE             | DESCRIPTION                | DESCRIPTION                  | BESCHREIBUNG       | REMARKS       |
|------|------------|------|-------------------------|----------------------------|------------------------------|--------------------|---------------|
| 1    | 81007028/1 | 1    | Manico, Parte Sup       | Handle, Upper Part         | Mancheron, Partie Supérieure | Holm, Oberteil     |               |
| 2    | 12819120/0 | 2    | Vite                    | Screw                      | Vis                          | Schraube           |               |
| 3    | 22680006/1 | 2    | Rosetta                 | Washer                     | Rondelle                     | Scheibe            |               |
| 4    | 22399803/0 | 2    | Manopolina              | Knob                       | Poignée                      | Griff              |               |
| 5    | 12293200/0 | 2    | Dado                    | Nut                        | Ecrou                        | Mutter             |               |
| 6    | 22430309/0 | 1    | Molla Guida             | Guide Spring               | Ressort De Guide             | Feder Führer       |               |
| 7    | 12154330/0 | 1    | Dado                    | Nut                        | Ecrou                        | Mutter             |               |
| 8    | 81000631/0 | 1    | Cavo Freno Motore       | Cable, Thread Engine Brake | Cable Frein Moteur           | Kabel, Motorbremse | (B&S)         |
| 8    | 81000616/1 | 1    | Cavo Freno Motore       | Cable, Thread Engine Brake | Cable Frein Moteur           | Kabel, Motorbremse | (Honda)       |
| 8    | 81000634/0 | 1    | Cavo Freno Motore       | Cable, Thread Engine Brake | Cable Frein Moteur           | Kabel, Motorbremse | (Ggp 200cc)   |
| 9    | 81003291/3 | 1    | Leva Freno Motore       | Lever, Engine Brake        | Levier Frein Moteur          | Hebel, Motorbremse |               |
| 10   | 22041966/0 | 2    | Bussola                 | Bush                       | Douille                      | Buchse             |               |
| 11   | 81000670/0 | 1    | Cavo Comando Trazione   | Cable, Rear Drive          | Câble, Commande Traction     | Kabel, Antrieb     |               |
| 12   | 22291050/0 | 1    | Impugnatura Manico Nera | Handgrip Black             | Poignée Noire                | Handgriff Schwarz  |               |
| 13   | 81003288/1 | 1    | Leva Trazione           | Lever, Driving             | Levier Traction              | Hebel, Antrieb     |               |
| 14   | 22041965/1 | 2    | Bussola                 | Bush                       | Douille                      | Buchse             |               |
| 15   | 81007091/0 | 1    | Cavo Acceleratore       | Throttle Cable             | Cable, Accelérateur          | Gashebel Kabel     | (B&S)         |
| 15   | 81007092/0 | 1    | Cavo Acceleratore       | Throttle Cable             | Cable, Accelérateur          | Gashebel Kabel     | (Honda - Ggp) |
| 16   | 22399801/0 | 1    | Manopolina              | Knob                       | Poignée                      | Griff              |               |
| 17   | 12726388/0 | 2    | Vite                    | Screw                      | Vis                          | Schraube           |               |

| POS. | CODE        | Q.TY | DESCRIZIONE                 | DESCRIPTION                | DESCRIPTION                      | BESCHREIBUNG            | REMARKS                       |
|------|-------------|------|-----------------------------|----------------------------|----------------------------------|-------------------------|-------------------------------|
| 18   | 12290800/0  | 2    | Dado                        | Nut                        | Ecrou                            | Mutter                  |                               |
| 19   | 12728460/0  | 1    | Vite                        | Screw                      | Vis                              | Schraube                |                               |
| 20   | 22943006/0  | 1    | Vite                        | Screw                      | Vis                              | Schraube                |                               |
| 21   | 81008499/1  | 1    | Dotazione Viteria Cruscotto | Outfit, Dash-Board Screws  | Dotation Visserie Consolle       | Satz, Konsole Schrauben |                               |
| 22   | 22120148/0  | 1    | Cruscotto Giallo            | Dash Board Yellow          | Console Jaune                    | Konsole Gelbe           |                               |
| 22   | 22120150/0  | 1    | Cruscotto Rosso             | Dash Board Red             | Console Rouge                    | Konsole Rote            |                               |
| 22   | 22120164/0  | 1    | Cruscotto Nero              | Dash Board Black           | Console Noire                    | Konsole Schwarze        |                               |
| 23   | 14356693/0  | 1    | Etichetta                   | Label                      | Etiquette                        | Etikette                | (B&S)                         |
| 23   | 114357387/0 | 1    | Etichetta                   | Label                      | Etiquette                        | Etikette                | (B&S 700 series DOV)          |
| 23   | 14356692/0  | 1    | Etichetta                   | Label                      | Etiquette                        | Etikette                | (Honda)                       |
| 23   | 114357387/0 | 1    | Etichetta                   | Label                      | Etiquette                        | Etikette                | (Honda GCV 160-190 Autochoke) |
| 24   | 12788910/0  | 2    | Vite                        | Screw                      | Vis                              | Schraube                |                               |
| 25   | 12523020/0  | 2    | Rosetta                     | Washer                     | Rondelle                         | Scheibe                 |                               |
| 26   | 12581500/0  | 2    | Grower                      | Grower                     | Grower                           | Federring               |                               |
| 27   | 12291000/0  | 2    | Dado                        | Nut                        | Ecrou                            | Mutter                  |                               |
| 28   | 81007099/0  | 1    | Cavo Comando Marce          | Cable, Speed Drive Control | Cable, Comm. Change-ment Vitesse | Kabel, Gängeschaltun    |                               |
| 29   | 22399802/0  | 1    | Manopolina                  | Knob                       | Poignée                          | Griff                   |                               |

www.emc-motoculture.com

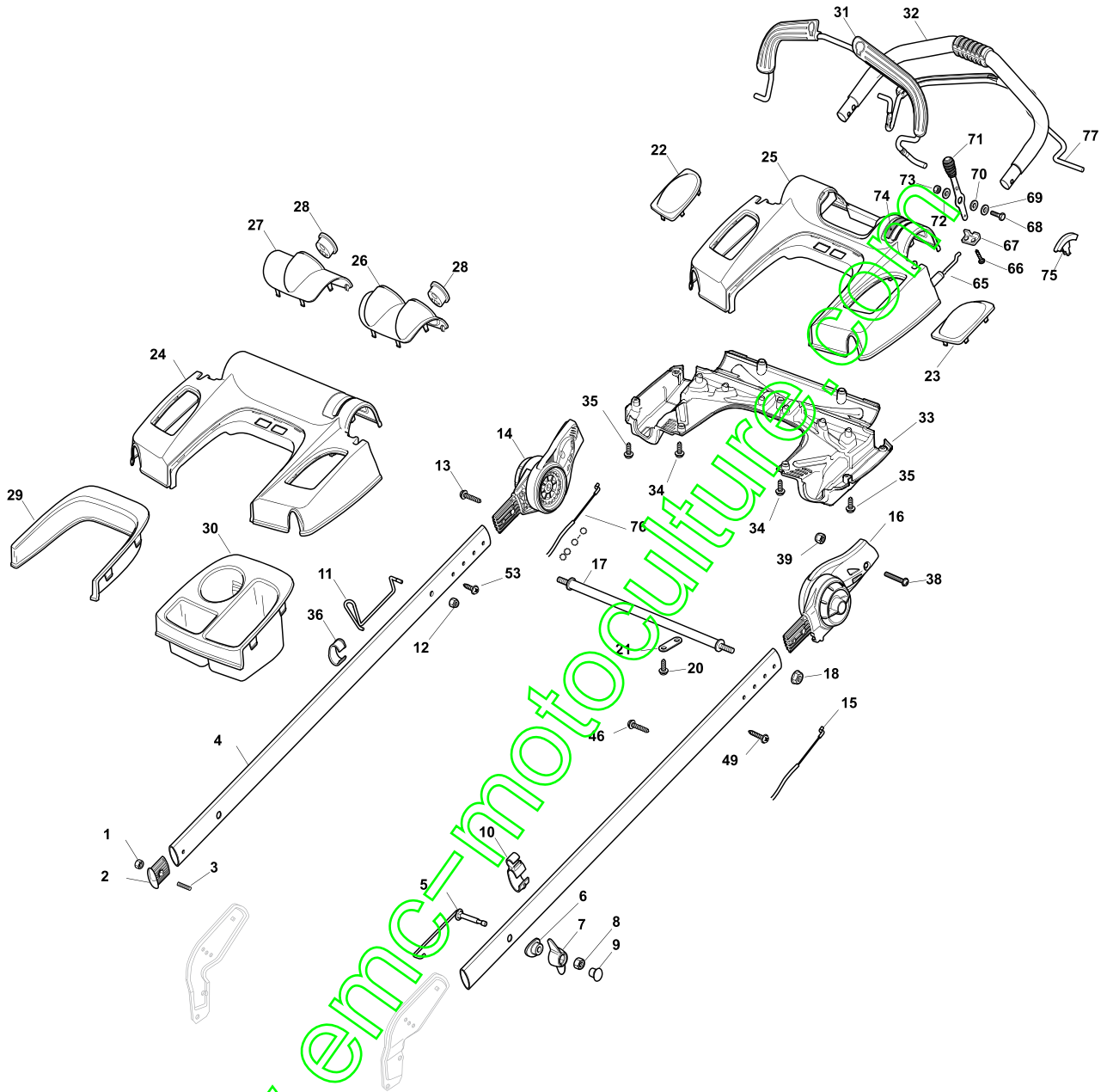
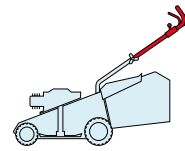
# NP 534

2009

54\_012

1 / 2

TR TR-E TR 3S TR-E 3S W TR W TR-E W TR 3S W TR-E 3S

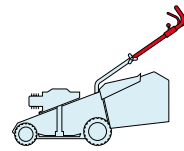


| POS. | CODE        | Q.TY | DESCRIZIONE | DESCRIPTION | DESCRIPTION    | BESCHREIBUNG     | REMARKS |
|------|-------------|------|-------------|-------------|----------------|------------------|---------|
| 1    | 12154510/0  | 2    | Dado        | Nut         | Ecrou          | Mutter           |         |
| 2    | 22820071/0  | 2    | Puntale     | Cap         | Bouchon        | Gummistopfen     |         |
| 3    | 12789450/0  | 2    | Vite        | Screw       | Vis            | Schraube         |         |
| 4    | 322498105/1 | 2    | Manico      | Handle      | Mancheron      | Holm             |         |
| 5    | 381003805/0 | 2    | Molla Guida | Spring      | Ressort        | Feder            |         |
| 6    | 22680012/0  | 2    | Rosetta     | Washer      | Rondelle       | Scheibe          |         |
| 7    | 22399821/0  | 2    | Manopolina  | Knob        | Poignée        | Griff            |         |
| 8    | 12293200/0  | 2    | Dado        | Nut         | Ecrou          | Mutter           |         |
| 9    | 322820072/1 | 2    | Tappo       | Cap         | Bouchon        | Stopfen          |         |
| 10   | 22192003/0  | 1    | Fermacavo   | Fairlead    | Fixation Cable | Kabelbefestigung |         |
| 11   | 122430316/1 | 1    | Molla Guida | Spring      | Ressort        | Feder            |         |
| 12   | 12154330/0  | 1    | Dado        | Nut         | Ecrou          | Mutter           |         |
| 13   | 112728698/0 | 1    | Vite        | Screw       | Vis            | Schraube         |         |



| POS. | CODE        | Q.TY | DESCRIZIONE                | DESCRIPTION                | DESCRIPTION              | BESCHREIBUNG        | REMARKS                       |
|------|-------------|------|----------------------------|----------------------------|--------------------------|---------------------|-------------------------------|
| 14   | 381745003/0 | 1    | Snodo                      | Joint                      | Joint                    | Gelenk              |                               |
| 15   | 181030019/1 | 1    | Cavo Freno Motore          | Cable, Thread Engine Brake | Cable Frein Moteur       | Kabel, Motorbremse  | (B&S 625-675 Series)          |
| 15   | 181030032/0 | 1    | Cavo Freno Motore          | Cable, Thread Engine Brake | Cable Frein Moteur       | Kabel, Motorbremse  | (B&S 700 Series)              |
| 15   | 181030019/1 | 1    | Cavo Freno Motore          | Cable, Thread Engine Brake | Cable Frein Moteur       | Kabel, Motorbremse  | (Ggp 140cc)                   |
| 15   | 181030019/1 | 1    | Cavo Freno Motore          | Cable, Thread Engine Brake | Cable Frein Moteur       | Kabel, Motorbremse  | (Ggp 160cc)                   |
| 15   | 181030019/1 | 1    | Cavo Freno Motore          | Cable, Thread Engine Brake | Cable Frein Moteur       | Kabel, Motorbremse  | (Ggp 196cc)                   |
| 15   | 181030018/0 | 1    | Cavo Freno Motore          | Cable, Thread Engine Brake | Cable Frein Moteur       | Kabel, Motorbremse  | (Honda)                       |
| 16   | 381745004/0 | 1    | Snodo                      | Joint                      | Joint                    | Gelenk              |                               |
| 17   | 122608537/1 | 1    | Rinforzo                   | Stiffening                 | Renforcement             | Verstaerkung        |                               |
| 18   | 12293201/0  | 2    | Dado                       | Nut                        | Ecrou                    | Mutter              |                               |
| 20   | 12728691/0  | 2    | Vite                       | Screw                      | Vis                      | Schraube            |                               |
| 21   | 322981471/0 | 2    | Piastrina                  | Plate                      | Plaque                   | Platte              |                               |
| 22   | 322557155/1 | 1    | Coperchio                  | Cover                      | Couvercle                | Deckel              |                               |
| 23   | 322557156/1 | 1    | Coperchio                  | Cover                      | Couvercle                | Deckel              |                               |
| 24   | 322120184/2 | 1    | Cruscotto                  | Dash Board                 | Console                  | Konsole             |                               |
| 25   | 322120185/2 | 1    | Cruscotto                  | Dash Board                 | Console                  | Konsole             |                               |
| 26   | 322109542/1 | 1    | Coperchio                  | Cover                      | Couvercle                | Deckel              |                               |
| 27   | 322109541/1 | 1    | Coperchio                  | Cover                      | Couvercle                | Deckel              |                               |
| 28   | 122480000/1 | 1    | Orologio                   | Clock                      | Montre                   | Uhr                 |                               |
| 29   | 322109543/1 | 1    | Protezione                 | Protection                 | Protection               | Schutz              |                               |
| 30   | 322109540/1 | 1    | Vaschette Portaoggetti     | Tray                       | Bac De Rangement         | Ablage              |                               |
| 31   | 81003325/0  | 1    | Leva Freno Motore          | Lever, Engine Brake        | Levier Frein Moteur      | Hebel, Motorbremse  |                               |
| 32   | 381006670/1 | 1    | Impugnatura Manico         | Handgrip                   | Poignée                  | Handgriff           |                               |
| 33   | 322109547/0 | 1    | Coperchio                  | Cover                      | Couvercle                | Deckel              |                               |
| 34   | 112728706/0 | 2    | Vite                       | Screw                      | Vis                      | Schraube            |                               |
| 35   | 112728695/0 | 7    | Vite                       | Screw                      | Vis                      | Schraube            |                               |
| 36   | 322192004/0 | 1    | Fascetta                   | Anchor Clamp               | Collier Ancre            | Bowdenzughalter     |                               |
| 38   | 112727799/0 | 2    | Vite                       | Screw                      | Vis                      | Schraube            |                               |
| 39   | 12154510/0  | 2    | Dado                       | Nut                        | Ecrou                    | Mutter              |                               |
| 46   | 12728526/0  | 1    | Vite                       | Screw                      | Vis                      | Schraube            |                               |
| 49   | 112728698/0 | 1    | Vite                       | Screw                      | Vis                      | Schraube            |                               |
| 53   | 12728526/0  | 1    | Vite                       | Screw                      | Vis                      | Schraube            |                               |
| 65   | 81007160/0  | 1    | Cavo Acceleratore          | Throttle Cable             | Cable, Accelérateur      | Gashebel Kabel      |                               |
| 66   | 12735105/0  | 2    | Vite                       | Screw                      | Vis                      | Schraube            |                               |
| 67   | 22981467/0  | 1    | Piastrina                  | Plate                      | Plaquette                | Platte              |                               |
| 68   | 12791500/0  | 1    | Vite                       | Screw                      | Vis                      | Schraube            |                               |
| 69   | 12530060/0  | 1    | Rosetta                    | Washer                     | Rondelle                 | Scheibe             |                               |
| 70   | 12523040/0  | 1    | Rosetta                    | Washer                     | Rondelle                 | Scheibe             |                               |
| 71   | 381007225/1 | 1    | Leva, Acceleratore - Nera  | Lever, Throttle            | Levier,                  | Hebel, Beshleuniger |                               |
| 71   | 381007222/1 | 1    | Leva, Acceleratore - Rossa | Lever, Throttle            | Levier,                  | Hebel, Beshleuniger |                               |
| 72   | 12523040/0  | 1    | Rosetta                    | Washer                     | Rondelle                 | Scheibe             |                               |
| 73   | 12154510/0  | 1    | Dado                       | Nut                        | Ecrou                    | Mutter              |                               |
| 74   | 114361912/1 | 1    | Etichetta                  | Label                      | Etiquette                | Etikette            | (B&S)                         |
| 74   | 114362568/0 | 1    | Etichetta                  | Label                      | Etiquette                | Etikette            | (B&S 700 series DOV)          |
| 74   | 114361913/1 | 1    | Etichetta                  | Label                      | Etiquette                | Etikette            | (Honda)                       |
| 74   | 114362568/0 | 1    | Etichetta                  | Label                      | Etiquette                | Etikette            | (Honda GCV 160-190 Autochoke) |
| 74   | 114362229/1 | 1    | Etichetta                  | Label                      | Etiquette                | Etikette            | (Ggp)                         |
| 74   | 114362230/1 | 1    | Etichetta                  | Label                      | Etiquette                | Etikette            | AVS (Ggp 196 cc)              |
| 75   | 22557160/0  | 1    | Tappo                      | Cap                        | Bouchon                  | Gummistopfen        |                               |
| 76   | 381030015/0 | 1    | Cavo Comando Trazione      | Cable, Rear Drive          | Câble, Commande Traction | Kabel, Antrieb      | (Bi Ci Di)                    |
| 76   | 381030023/0 | 1    | Cavo Comando Trazione      | Cable, Rear Drive          | Câble, Commande Traction | Kabel, Antrieb      | (General Transmission)        |
| 77   | 381003328/0 | 1    | Leva Trazione              | Lever, Driving             | Levier Traction          | Hebel, Antrieb      |                               |

# NP 534

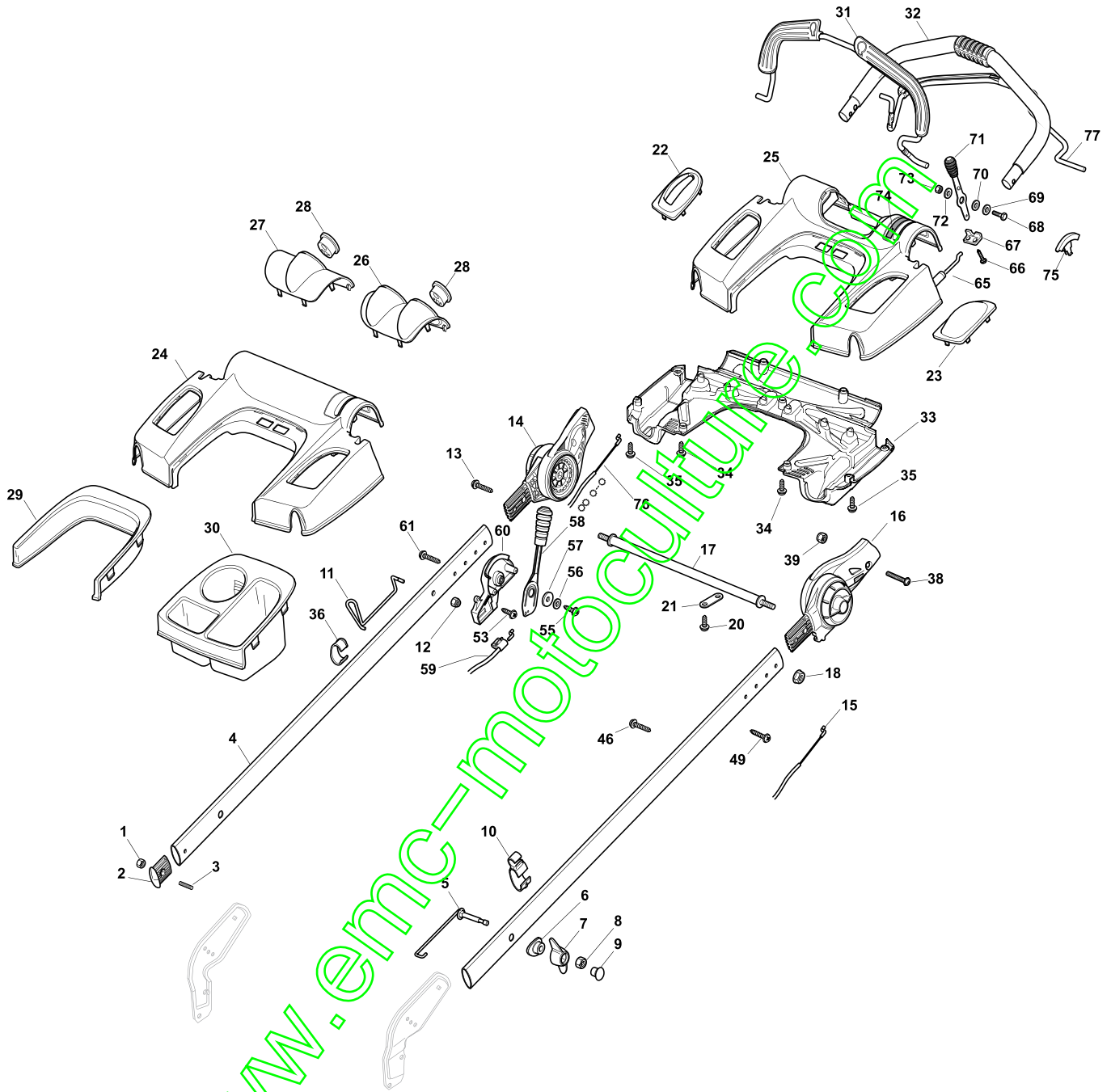


2009

54\_013

1 / 3

|    |      |       |         |         |           |            |              |
|----|------|-------|---------|---------|-----------|------------|--------------|
| TR | TR-E | TR 3S | TR-E 3S | W<br>TR | W<br>TR-E | W<br>TR 3S | W<br>TR-E 3S |
|----|------|-------|---------|---------|-----------|------------|--------------|



| POS. | CODE        | Q.TY | DESCRIZIONE | DESCRIPTION | DESCRIPTION    | BESCHREIBUNG     | REMARKS |
|------|-------------|------|-------------|-------------|----------------|------------------|---------|
| 1    | 12154510/0  | 2    | Dado        | Nut         | Ecrou          | Mutter           |         |
| 2    | 22820071/0  | 2    | Puntale     | Cap         | Bouchon        | Gummistopfen     |         |
| 3    | 12789450/0  | 2    | Vite        | Screw       | Vis            | Schraube         |         |
| 4    | 322498105/1 | 2    | Manico      | Handle      | Mancheron      | Holm             |         |
| 5    | 381003805/0 | 2    | Molla Guida | Spring      | Ressort        | Feder            |         |
| 6    | 22680012/0  | 2    | Rosetta     | Washer      | Rondelle       | Scheibe          |         |
| 7    | 22399821/0  | 2    | Manopolina  | Knob        | Poignée        | Griff            |         |
| 8    | 12293200/0  | 2    | Dado        | Nut         | Ecrou          | Mutter           |         |
| 9    | 322820072/1 | 2    | Tappo       | Cap         | Bouchon        | Stopfen          |         |
| 10   | 22192003/0  | 1    | Fermacavo   | Fairlead    | Fixation Cable | Kabelbefestigung |         |

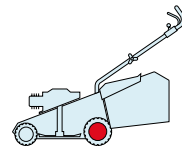
| POS. | CODE        | Q.TY | DESCRIZIONE                | DESCRIPTION                | DESCRIPTION                      | BESCHREIBUNG         | REMARKS              |
|------|-------------|------|----------------------------|----------------------------|----------------------------------|----------------------|----------------------|
| 11   | 122430316/1 | 1    | Molla Guida                | Spring                     | Ressort                          | Feder                |                      |
| 12   | 12154330/0  | 1    | Dado                       | Nut                        | Ecrou                            | Mutter               |                      |
| 13   | 12728702/0  | 1    | Vite                       | Screw                      | Vis                              | Schraube             |                      |
| 14   | 381745003/0 | 1    | Snodo                      | Joint                      | Joint                            | Gelenk               |                      |
| 15   | 181030019/1 | 1    | Cavo Freno Motore          | Cable, Thread Engine Brake | Cable Frein Moteur               | Kabel, Motorbremse   | (B&S 625-675 Series) |
| 15   | 181030032/0 | 1    | Cavo Freno Motore          | Cable, Thread Engine Brake | Cable Frein Moteur               | Kabel, Motorbremse   | (B&S 700 Series)     |
| 15   | 181030019/1 | 1    | Cavo Freno Motore          | Cable, Thread Engine Brake | Cable Frein Moteur               | Kabel, Motorbremse   | (Ggp 140cc)          |
| 15   | 181030019/1 | 1    | Cavo Freno Motore          | Cable, Thread Engine Brake | Cable Frein Moteur               | Kabel, Motorbremse   | (Ggp 160cc)          |
| 15   | 181030019/1 | 1    | Cavo Freno Motore          | Cable, Thread Engine Brake | Cable Frein Moteur               | Kabel, Motorbremse   | (Ggp 196cc)          |
| 15   | 181030018/0 | 1    | Cavo Freno Motore          | Cable, Thread Engine Brake | Cable Frein Moteur               | Kabel, Motorbremse   | (Honda)              |
| 16   | 381745004/0 | 1    | Snodo                      | Joint                      | Joint                            | Gelenk               |                      |
| 17   | 122608537/1 | 1    | Rinforzo                   | Stiffening                 | Renforcement                     | Verstaerkung         |                      |
| 18   | 12293201/0  | 2    | Dado                       | Nut                        | Ecrou                            | Mutter               |                      |
| 20   | 12728691/0  | 2    | Vite                       | Screw                      | Vis                              | Schraube             |                      |
| 21   | 322981471/0 | 2    | Piastrina                  | Plate                      | Plaque                           | Platte               |                      |
| 22   | 322557159/1 | 1    | Coperchio                  | Cover                      | Couvercle                        | Deckel               |                      |
| 23   | 322557156/1 | 1    | Coperchio                  | Cover                      | Couvercle                        | Deckel               |                      |
| 24   | 322120184/2 | 1    | Cruscotto                  | Dash Board                 | Console                          | Konsole              |                      |
| 25   | 322120185/2 | 1    | Cruscotto                  | Dash Board                 | Console                          | Konsole              |                      |
| 26   | 322109542/1 | 1    | Coperchio                  | Cover                      | Couvercle                        | Deckel               |                      |
| 27   | 322109541/1 | 1    | Coperchio                  | Cover                      | Couvercle                        | Deckel               |                      |
| 28   | 122480000/1 | 1    | Orologio                   | Clock                      | Montre                           | Uhr                  |                      |
| 29   | 322109543/1 | 1    | Protezione                 | Protection                 | Protection                       | Schutz               |                      |
| 30   | 322109540/1 | 1    | Vaschette Portaoggetti     | Tray                       | Bac De Rangement                 | Ablage               |                      |
| 31   | 81003325/0  | 1    | Leva Freno Motore          | Lever, Engine Brake        | Levier Frein Moteur              | Hebel, Motorbremse   |                      |
| 32   | 381006670/1 | 1    | Impugnatura Manico         | Handgrip                   | Poignée                          | Handgriff            |                      |
| 33   | 322109547/0 | 1    | Coperchio                  | Cover                      | Couvercle                        | Deckel               |                      |
| 34   | 112728706/0 | 2    | Vite                       | Screw                      | Vis                              | Schraube             |                      |
| 35   | 112728695/0 | 7    | Vite                       | Screw                      | Vis                              | Schraube             |                      |
| 36   | 322192004/0 | 1    | Fascetta                   | Anchor Clamp               | Collier Ancrage                  | Bowdenzughalter      |                      |
| 38   | 112727799/0 | 2    | Vite                       | Screw                      | Vis                              | Schraube             |                      |
| 39   | 12154510/0  | 2    | Dado                       | Nut                        | Ecrou                            | Mutter               |                      |
| 46   | 12728526/0  | 1    | Vite                       | Screw                      | Vis                              | Schraube             |                      |
| 49   | 112728698/0 | 1    | Vite                       | Screw                      | Vis                              | Schraube             |                      |
| 53   | 12728527/0  | 1    | Vite                       | Screw                      | Vis                              | Schraube             |                      |
| 55   | 12728686/0  | 1    | Vite                       | Screw                      | Vis                              | Schraube             |                      |
| 56   | 12523020/0  | 1    | Rosetta                    | Washer                     | Rondelle                         | Scheibe              |                      |
| 57   | 22680013/0  | 1    | Rondella                   | Washer                     | Rondelle                         | Scheibe              |                      |
| 58   | 381007226/1 | 1    | Leva Trazione - Nera       | Lever, Driving             | Levier Traction                  | Hebel, Antrieb       |                      |
| 59   | 81000738/0  | 1    | Cavo Comando Marce         | Cable, Speed Drive Control | Cable, Comm. Change-ment Vitesse | Kabel, Gängeschaltun |                      |
| 60   | 22785233/0  | 1    | Supporto                   | Support                    | Support                          | Halter               |                      |
| 65   | 81007160/0  | 1    | Cavo Acceleratore          | Throttle Cable             | Cable, Accelérateur              | Gashebel Kabel       |                      |
| 66   | 12735105/0  | 2    | Vite                       | Screw                      | Vis                              | Schraube             |                      |
| 67   | 22981467/0  | 1    | Piastrina                  | Plate                      | Plaquette                        | Platte               |                      |
| 68   | 12791500/0  | 1    | Vite                       | Screw                      | Vis                              | Schraube             |                      |
| 69   | 12530060/0  | 1    | Rosetta                    | Washer                     | Rondelle                         | Scheibe              |                      |
| 70   | 12523040/0  | 1    | Rosetta                    | Washer                     | Rondelle                         | Scheibe              |                      |
| 72   | 381007225/1 | 1    | Leva, Acceleratore - Nera  | Lever, Throttle            | Levier,                          | Hebel, Beshleuniger  |                      |
| 72   | 381007222/1 | 1    | Leva, Acceleratore - Rossa | Lever, Throttle            | Levier,                          | Hebel, Beshleuniger  |                      |
| 72   | 12523040/0  | 1    | Rosetta                    | Washer                     | Rondelle                         | Scheibe              |                      |
| 74   | 12154510/0  | 1    | Dado                       | Nut                        | Ecrou                            | Mutter               |                      |

| POS. | CODE        | Q.TY | DESCRIZIONE           | DESCRIPTION       | DESCRIPTION              | BESCHREIBUNG   | REMARKS                       |
|------|-------------|------|-----------------------|-------------------|--------------------------|----------------|-------------------------------|
| 74   | 114361912/1 | 1    | Etichetta             | Label             | Etiquette                | Etikette       | (B&S)                         |
| 74   | 114362568/0 | 1    | Etichetta             | Label             | Etiquette                | Etikette       | (B&S 700 series DOV)          |
| 74   | 114361913/1 | 1    | Etichetta             | Label             | Etiquette                | Etikette       | (Honda)                       |
| 74   | 114362568/0 | 1    | Etichetta             | Label             | Etiquette                | Etikette       | (Honda GCV 160-190 Autochoke) |
| 74   | 114362229/1 | 1    | Etichetta             | Label             | Etiquette                | Etikette       | (Ggp)                         |
| 74   | 114362230/1 | 1    | Etichetta             | Label             | Etiquette                | Etikette       | AVS (Ggp 196cc)               |
| 75   | 22557160/0  | 1    | Tappo                 | Cap               | Bouchon                  | Gummistopfen   |                               |
| 76   | 381030015/0 | 1    | Cavo Comando Trazione | Cable, Rear Drive | Câble, Commande Traction | Kabel, Antrieb | (Bi Ci Di)                    |
| 76   | 381030023/0 | 1    | Cavo Comando Trazione | Cable, Rear Drive | Câble, Commande Traction | Kabel, Antrieb | (General Transmission)        |
| 77   | 381003328/0 | 1    | Leva Trazione         | Lever, Driving    | Levier Traction          | Hebel, Antrieb |                               |

www.emc-motoculture.com

# NP 534

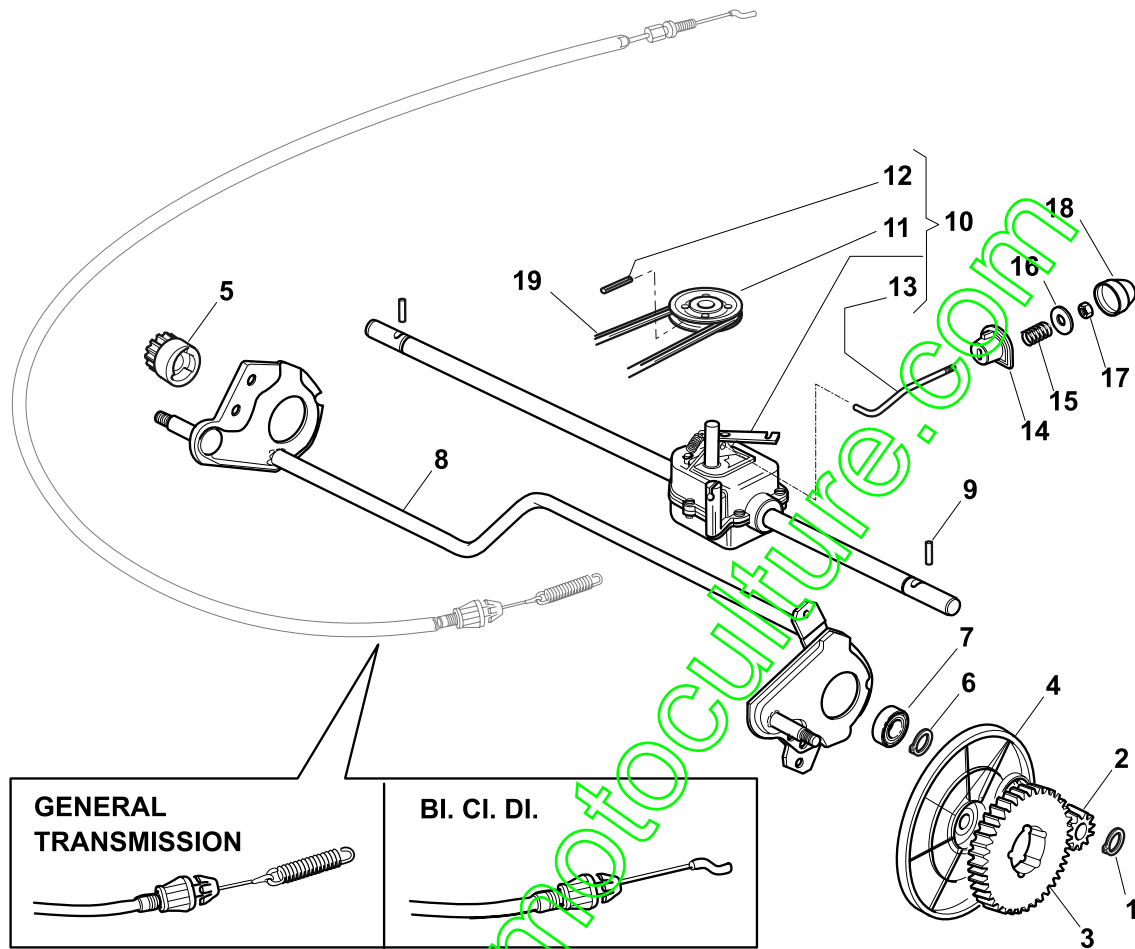
TR TR-E TR 3S TR-E 3S W TR W TR-E W TR 3S W TR-E 3S



2009

54\_014

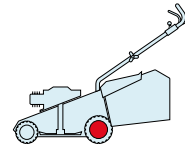
1 / 1



| POS. | CODE       | Q.TY | DESCRIZIONE              | DESCRIPTION       | DESCRIPTION            | BESCHREIBUNG      | REMARKS                |
|------|------------|------|--------------------------|-------------------|------------------------|-------------------|------------------------|
| 1    | 12608600/0 | 2    | Seeger                   | Seeger            | Seeger                 | Seeger            |                        |
| 2    | 22570120/1 | 1    | Pignone Sx               | Pinion L          | Pignon G               | Ritzel Linkes     |                        |
| 3    | 22120105/1 | 2    | Corona                   | Ring Gear         | Couronne               | Kranz             |                        |
| 4    | 22600091/1 | 2    | Prot. Ruote              | Protection, Wheel | Protection Roue        | Schütz, Räder     |                        |
| 5    | 22570110/1 | 1    | Pignone Dx               | Pinion R          | Pignon D               | Ritzel Rechtes    |                        |
| 6    | 12608600/0 | 2    | Seeger                   | Seeger            | Seeger                 | Seeger            |                        |
| 7    | 19216035/0 | 2    | Cuscinetto               | Bearing           | Coussinet              | Lager             |                        |
| 8    | 81002811/0 | 1    | Asse Ruote Posteriori    | Axle, Rear Wheels | Axe Roues Arriere      | Achse, Hinterrad  |                        |
| 9    | 22753000/0 | 2    | Spina                    | Pin               | Goupille               | Stift             |                        |
| 10   | 81003082/1 | 1    | Gruppo Trazione (Grigio) | Gear Box (Grey)   | Groupe Traction (Gris) | Antrieb (Grau)    | (Bi Ci Di)             |
| 10   | 81003079/0 | 1    | Gruppo Trazione          | Gear Box          | Groupe Traction        | Antrieb           | (General Transmission) |
| 11   | 22601909/0 | 1    | Puleggia                 | Pulley            | Poulie                 | Riemenscheibe     |                        |
| 12   | 12645705/0 | 1    | Spina                    | Pin               | Goupille               | Stift             |                        |
| 13   | 22033281/0 | 1    | Asta Regolazione         | Adjustment Rod    | Tige Reglage           | Verstellungstange |                        |
| 14   | 22041957/1 | 1    | Bussola                  | Bush              | Douille                | Buchse            |                        |
| 15   | 22450063/0 | 1    | Molla                    | Spring            | Ressort                | Feder             |                        |
| 16   | 22680009/0 | 1    | Rosetta                  | Washer            | Rondelle               | Scheibe           |                        |
| 17   | 12154510/0 | 1    | Dado                     | Nut               | Ecrou                  | Mutter            |                        |
| 18   | 22110230/0 | 1    | Tappo                    | Cap               | Bouchon                | Gummistopfen      |                        |
| 19   | 35064195/0 | 1    | Cinghia Z 33             | Belt Z 33         | Courroie Z 33          | Riemen Z 33       |                        |

# NP 534

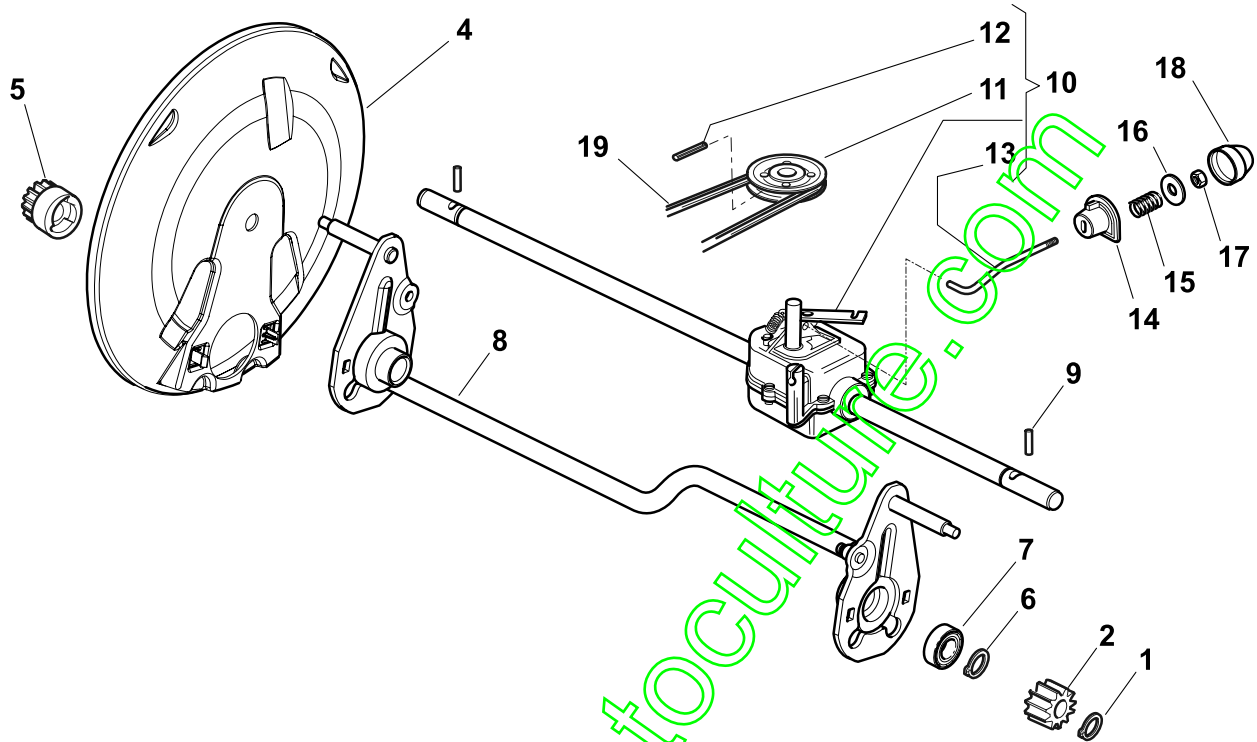
TR TR-E TR 3S TR-E 3S W TR W TR-E W TR 3S W TR-E 3S



2009

54\_015

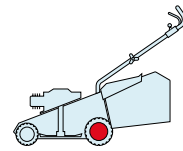
1 / 1



| POS. | CODE        | Q.TY | DESCRIZIONE           | DESCRIPTION       | DESCRIPTION       | BESCHREIBUNG      | REMARKS                |
|------|-------------|------|-----------------------|-------------------|-------------------|-------------------|------------------------|
| 1    | 12608600/0  | 2    | Seeger                | Seeger            | Seeger            | Seeger            |                        |
| 2    | 22570120/1  | 1    | Pignone Sx            | Pinion L          | Pignon G          | Ritzel Linkes     |                        |
| 4    | 22600091/1  | 2    | Prot. Ruote           | Protection, Wheel | Protection Roue   | Schütz, Räder     |                        |
| 5    | 22570110/1  | 1    | Pignone Dx            | Pinion R          | Pignon D          | Ritzel Rechtes    |                        |
| 6    | 12608600/0  | 2    | Seeger                | Seeger            | Seeger            | Seeger            |                        |
| 7    | 19216035/0  | 2    | Cuscinetto            | Bearing           | Coussinet         | Lager             |                        |
| 8    | 381002863/0 | 1    | Asse Ruote Posteriori | Axle, Rear Wheels | Axe Roues Arriere | Achse, Hinterrad  |                        |
| 9    | 22753000/0  | 2    | Spina                 | Pin               | Goupille          | Stift             |                        |
| 10   | 81003079/0  | 1    | Gruppo Trazione       | Gear Box          | Groupe Traction   | Antrieb           | (General Transmission) |
| 11   | 22601909/0  | 1    | Puleggia              | Pulley            | Poulie            | Riemenscheibe     |                        |
| 12   | 12645705/0  | 1    | Spina                 | Pin               | Goupille          | Stift             |                        |
| 13   | 22033281/0  | 1    | Asta Regolazione      | Adjustment Rod    | Tige Reglage      | Verstellungstange |                        |
| 14   | 22041957/1  | 1    | Bussola               | Bush              | Douille           | Buchse            |                        |
| 15   | 22450063/0  | 1    | Molla                 | Spring            | Ressort           | Feder             |                        |
| 16   | 22680009/0  | 1    | Rosetta               | Washer            | Rondelle          | Scheibe           |                        |
| 17   | 12154510/0  | 1    | Dado                  | Nut               | Ecrou             | Mutter            |                        |
| 18   | 22110230/0  | 1    | Tappo                 | Cap               | Bouchon           | Gummistopfen      |                        |
| 19   | 35064195/0  | 1    | Cinghia Z 33          | Belt Z 33         | Courroie Z 33     | Riemen Z 33       |                        |

# NP 534

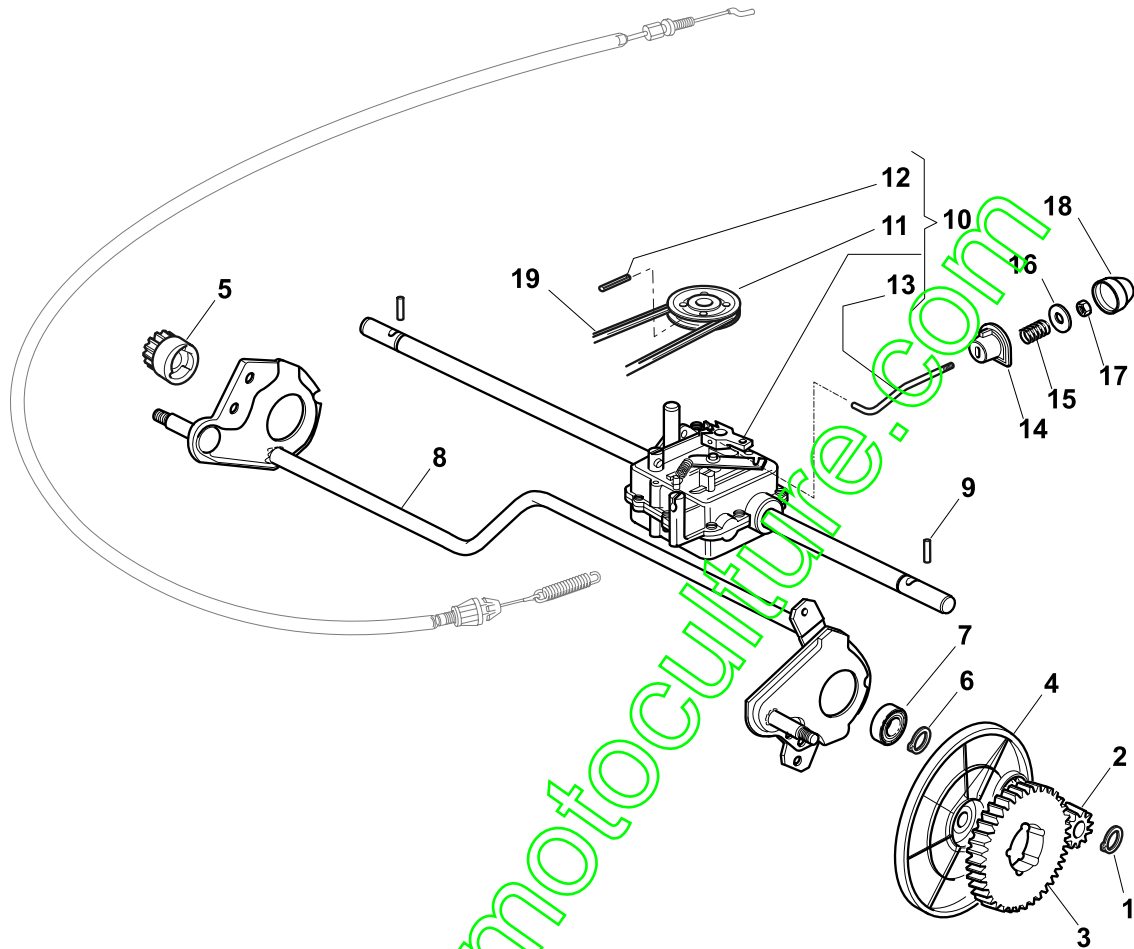
TR TR-E TR 3S TR-E 3S W TR W TR-E W TR 3S W TR-E 3S



2009

54\_016

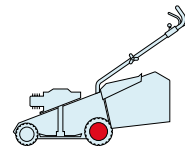
1 / 1



| POS. | CODE       | Q.TY | DESCRIZIONE           | DESCRIPTION       | DESCRIPTION       | BESCHREIBUNG      | REMARKS    |
|------|------------|------|-----------------------|-------------------|-------------------|-------------------|------------|
| 1    | 12608600/0 | 2    | Seeger                | Seeger            | Seeger            | Seeger            |            |
| 2    | 22570120/1 | 1    | Pignone Sx            | Pinion L          | Pignon G          | Ritzel Linkes     |            |
| 3    | 22120105/1 | 2    | Corona                | Ring Gear         | Couronne          | Kranz             |            |
| 4    | 22600091/1 | 2    | Prot. Ruote           | Protection, Wheel | Protection Roue   | Schütz, Räder     |            |
| 5    | 22570110/1 | 1    | Pignone Dx            | Pinion R          | Pignon D          | Ritzel Rechtes    |            |
| 6    | 12608600/0 | 2    | Seeger                | Seeger            | Seeger            | Seeger            |            |
| 7    | 19216035/0 | 2    | Cuscinetto            | Bearing           | Coussinet         | Lager             |            |
| 8    | 81002811/0 | 1    | Asse Ruote Posteriori | Axle, Rear Wheels | Axe Roues Arriere | Achse, Hinterrad  |            |
| 9    | 22753000/0 | 2    | Spina                 | Pin               | Goupille          | Stift             |            |
| 10   | 81003080/0 | 1    | Gruppo Trazione       | Gear Box          | Groupe Traction   | Antrieb           |            |
| 11   | 22601908/0 | 1    | Puleggia              | Pulley            | Poulie            | Riemenscheibe     |            |
| 12   | 12645705/0 | 1    | Spina                 | Pin               | Goupille          | Stift             |            |
| 13   | 22033282/1 | 1    | Asta Regolazione      | Adjustment Rod    | Tige Reglage      | Verstellungstange |            |
| 14   | 22041957/1 | 1    | Bussola               | Bush              | Douille           | Buchse            |            |
| 15   | 22450063/0 | 1    | Molla                 | Spring            | Ressort           | Feder             |            |
| 16   | 22680009/0 | 1    | Rosetta               | Washer            | Rondelle          | Scheibe           |            |
| 17   | 12154510/0 | 1    | Dado                  | Nut               | Ecrou             | Mutter            |            |
| 18   | 22110230/0 | 1    | Tappo                 | Cap               | Bouchon           | Gummistopfen      |            |
| 19   | 35064197/0 | 1    | Cinghia               | Belt              | Courroire         | Riemen            | (Z Lp 885) |

# NP 534

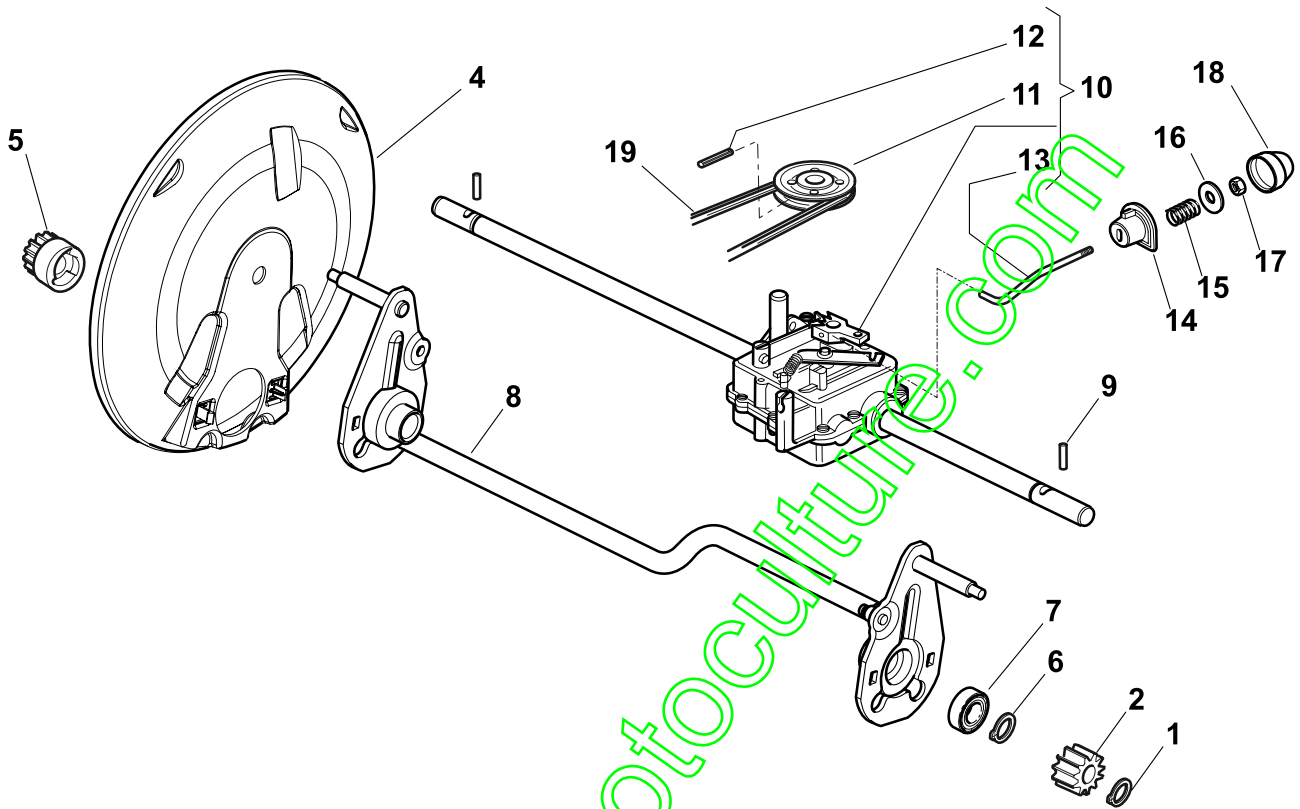
TR TR-E TR 3S TR-E 3S W TR W TR-E W TR 3S W TR-E 3S



2009

54\_017

1 / 1

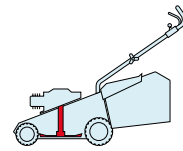


| POS. | CODE        | Q.TY | DESCRIZIONE           | DESCRIPTION       | DESCRIPTION       | BESCHREIBUNG      | REMARKS    |
|------|-------------|------|-----------------------|-------------------|-------------------|-------------------|------------|
| 1    | 12608600/0  | 2    | Seeger                | Seeger            | Seeger            | Seeger            |            |
| 2    | 22570120/1  | 1    | Pignone Sx            | Pinion L          | Pignon G          | Ritzel Linkes     |            |
| 4    | 22600091/1  | 2    | Prot. Ruote           | Protection, Wheel | Protection Roue   | Schütz, Räder     |            |
| 5    | 22570110/1  | 1    | Pignone Dx            | Pinion R          | Pignon D          | Ritzel Rechtes    |            |
| 6    | 12608600/0  | 2    | Seeger                | Seeger            | Seeger            | Seeger            |            |
| 7    | 19216035/0  | 2    | Cuscinetto            | Bearing           | Coussinet         | Lager             |            |
| 8    | 381002863/0 | 1    | Asse Ruote Posteriori | Axle, Rear Wheels | Axe Roues Arriere | Achse, Hinterrad  |            |
| 9    | 22753000/0  | 2    | Spina                 | Pin               | Goupille          | Stift             |            |
| 10   | 81003080/0  | 1    | Gruppo Trazione       | Gear Box          | Groupe Traction   | Antrieb           |            |
| 11   | 22601908/0  | 1    | Puleggia              | Pulley            | Poulie            | Riemenscheibe     |            |
| 12   | 12645705/0  | 1    | Spina                 | Pin               | Goupille          | Stift             |            |
| 13   | 22033282/1  | 1    | Asta Regolazione      | Adjustment Rod    | Tige Reglage      | Verstellungstange |            |
| 14   | 22041957/1  | 1    | Bussola               | Bush              | Douille           | Buchse            |            |
| 15   | 22450063/0  | 1    | Molla                 | Spring            | Ressort           | Feder             |            |
| 16   | 22680009/0  | 1    | Rosetta               | Washer            | Rondelle          | Scheibe           |            |
| 17   | 12154510/0  | 1    | Dado                  | Nut               | Ecrou             | Mutter            |            |
| 18   | 22110230/0  | 1    | Tappo                 | Cap               | Bouchon           | Gummistopfen      |            |
| 19   | 35064197/0  | 1    | Cinghia               | Belt              | Courroie          | Riemen            | (Z Lp 885) |



# NP 534

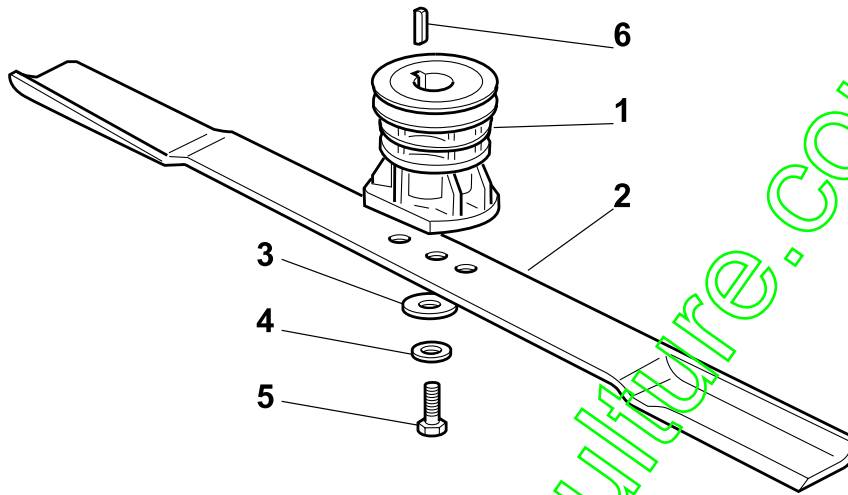
TR TR-E TR 3S TR-E 3S W TR W TR-E W TR 3S W TR-E 3S



2009

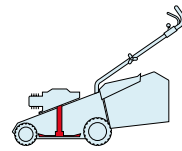
54\_018

1 / 1



| POS. | CODE        | Q.TY | DESCRIZIONE                              | DESCRIPTION                        | DESCRIPTION                            | BESCHREIBUNG                        | REMARKS |
|------|-------------|------|------------------------------------------|------------------------------------|----------------------------------------|-------------------------------------|---------|
| 1    | 22465607/2  | 1    | Mozzo Con Puleggia, Albero Motore Ø 22.2 | Hub With Pulley, Crankshaft Ø 22.2 | Moyeu Avec Poulie, Arbre Moteur Ø 22.2 | Nabe Mit Scheibe, Motorwelle Ø 22.2 |         |
| 1    | 122465608/1 | 1    | Mozzo Con Puleggia, Albero Motore Ø 25   | Hub With Pulley, Crankshaft Ø 25   | Moyeu Avec Poulie, Arbre Moteur Ø 25   | Nabe Mit Scheibe, Motorwelle Ø 25   |         |
| 2    | 81004381/1  | 1    | Coltello Standard                        | Blade Standard                     | Lame Standard                          | Messer Standard                     |         |
| 2    | 81004383/0  | 1    | Coltello, Avs                            | Blade, Avs                         | Lame, Avs                              | Messer, Avs                         |         |
| 3    | 22160400/0  | 1    | Disco Elastico                           | Elastic Washer                     | Rondelle Elastique                     | Elastischescheibe                   |         |
| 4    | 12523080/0  | 1    | Rosetta                                  | Washer                             | Rondelle                               | Scheibe                             |         |
| 5    | 12735698/0  | 1    | Vite                                     | Screw                              | Vis                                    | Schraube                            |         |
| 6    | 12139100/0  | 1    | Linguetta, Albero Motore Ø 22.2          | Feather, Crankshaft Ø 22.2         | Clavette, Arbre Moteur Ø 22.2          | Keil, Motorwelle Ø 22.2             |         |
| 6    | 12139150/0  | 1    | Linguetta, Albero Motore Ø 25            | Feather, Crankshaft Ø 25           | Clavette, Arbre Moteur Ø 25            | Keil, Motorwelle Ø 25               |         |

# NP 534

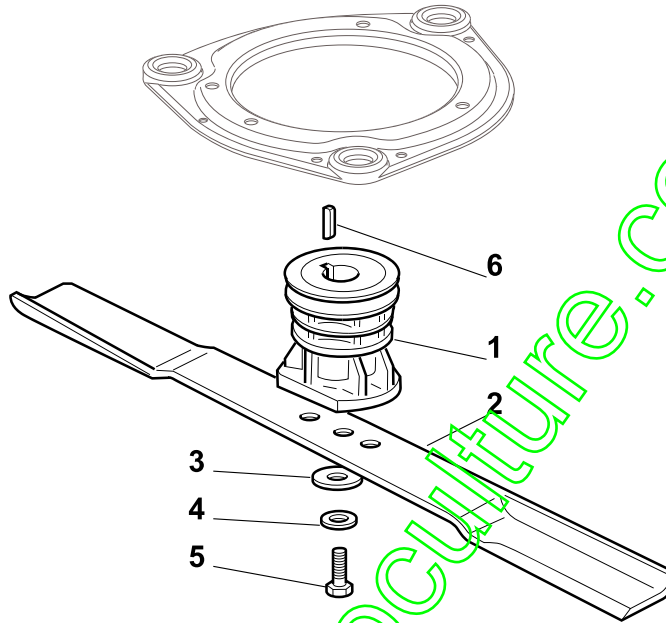


2009

54\_019

1 / 1

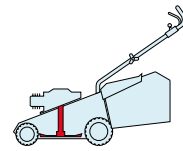
TR TR-E TR 3S TR-E 3S W TR W TR-E W TR 3S W TR-E 3S



| POS. | CODE        | Q.TY | DESCRIZIONE                              | DESCRIPTION                        | DESCRIPTION                            | BESCHREIBUNG                        | REMARKS |
|------|-------------|------|------------------------------------------|------------------------------------|----------------------------------------|-------------------------------------|---------|
| 1    | 122465638/0 | 1    | Mozzo Con Puleggia, Albero Motore Ø 22.2 | Hub With Pulley, Crankshaft Ø 22.2 | Moyeu Avec Poulie, Arbre Moteur Ø 22.2 | Nabe Mit Scheibe, Motorwelle Ø 22.2 |         |
| 1    | 122465639/0 | 1    | Mozzo Con Puleggia, Albero Motore Ø 25   | Hub With Pulley, Crankshaft Ø 25   | Moyeu Avec Poulie, Arbre Moteur Ø 25   | Nabe Mit Scheibe, Motorwelle Ø 25   |         |
| 2    | 81004381/1  | 1    | Coltello Standard                        | Blade Standard                     | Lame Standard                          | Messer Standard                     |         |
| 2    | 81004383/0  | 1    | Coltello, Avs                            | blade, Avs                         | Lame, Avs                              | Messer, Avs                         |         |
| 3    | 22160400/0  | 1    | Disco Elastico                           | Elastic Washer                     | Rondelle Elastique                     | Elastischescheibe                   |         |
| 4    | 12523080/0  | 1    | Rosetta                                  | Washer                             | Rondelle                               | Scheibe                             |         |
| 5    | 12736815/0  | 1    | Vite                                     | Screw                              | Vis                                    | Schraube                            |         |
| 6    | 12139100/0  | 1    | Linguetta, Albero Motore Ø 22.2          | Feather, Crankshaft Ø 22.2         | Clavette, Arbre Moteur Ø 22.2          | Keil, Motorwelle Ø 22.2             |         |
| 6    | 12139150/0  | 1    | Linguetta, Albero Motore Ø 25            | Feather, Crankshaft Ø 25           | Clavette, Arbre Moteur Ø 25            | Keil, Motorwelle Ø 25               |         |

# NP 534

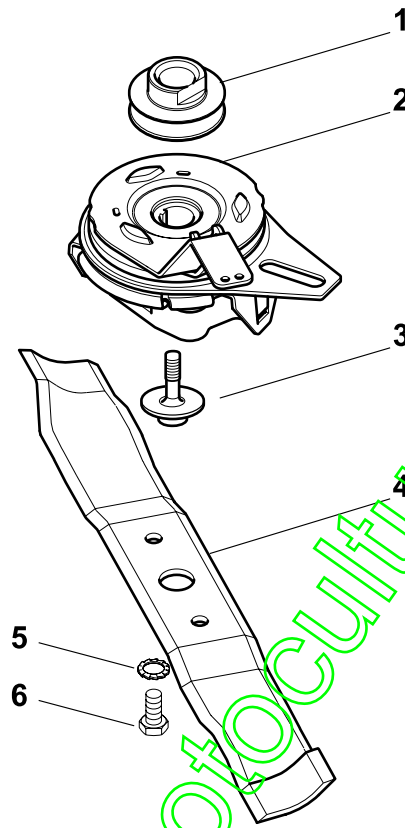
|    |      |       |         |         |           |            |              |
|----|------|-------|---------|---------|-----------|------------|--------------|
| TR | TR-E | TR 3S | TR-E 3S | W<br>TR | W<br>TR-E | W<br>TR 3S | W<br>TR-E 3S |
|----|------|-------|---------|---------|-----------|------------|--------------|



2009

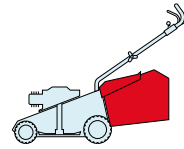
54\_020

1 / 1



| POS. | CODE        | Q.TY | DESCRIZIONE                    | DESCRIPTION               | DESCRIPTION                 | BESCHREIBUNG               | REMARKS |
|------|-------------|------|--------------------------------|---------------------------|-----------------------------|----------------------------|---------|
| 1    | 122601922/0 | 1    | Puleggia, Albero Motore Ø 22.2 | Pulley, Crankshaft Ø 22.2 | Poulie, Arbre Moteur Ø 22.2 | Scheibe, Motorwelle Ø 22.2 |         |
| 1    | 122601923/0 | 1    | Puleggia, Albero Motore Ø 25   | Pulley, Crankshaft Ø 25   | Poulie, Arbre Moteur Ø 25   | Scheibe, Motorwelle Ø 25   |         |
| 2    | 118399051/0 | 1    | Ass. Frizione Meccanica        | Mechanical Clutch         | Embrayage Mecanique         | Mechanische Kupplung       |         |
| 3    | 12735460/0  | 1    | Vite                           | Screw                     | Vis                         | Schraube                   |         |
| 4    | 181004382/0 | 1    | Coltello Standard              | Blade Standard            | Lame Standard               | Messer Standard            |         |
| 5    | 12523070/0  | 2    | Rosetta                        | Washer                    | Rondelle                    | Scheibe                    |         |
| 6    | 12794110/0  | 2    | Vite                           | Screw                     | Vis                         | Schraube                   |         |

# NP 534

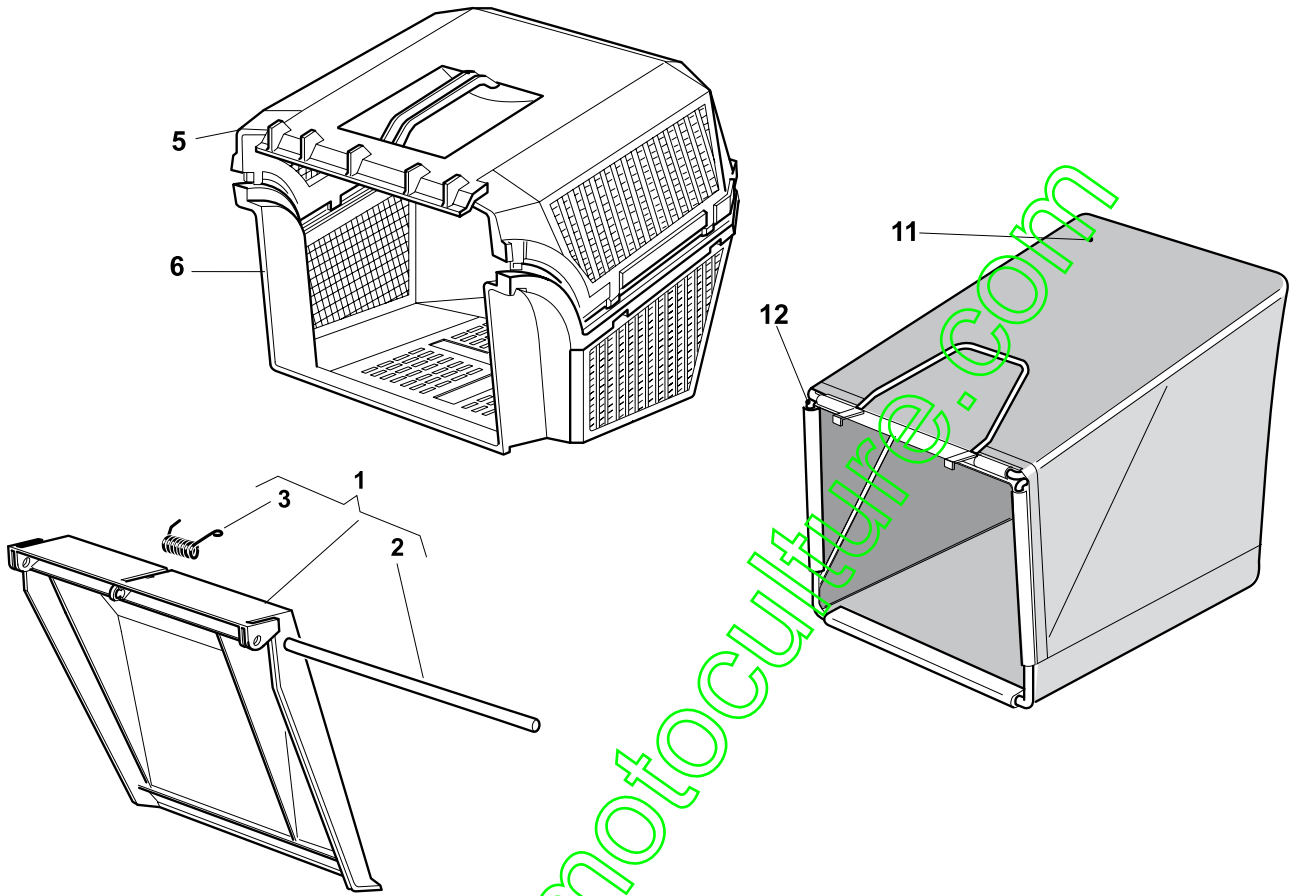


2009

54\_021

1 / 1

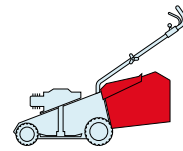
TR TR-E TR 3S TR-E 3S W TR W TR-E W TR 3S W TR-E 3S



| POS. | CODE        | Q.TY | DESCRIZIONE      | DESCRIPTION      | DESCRIPTION            | BESCHREIBUNG    | REMARKS |
|------|-------------|------|------------------|------------------|------------------------|-----------------|---------|
| 1    | 381008044/0 | 1    | Parasassi        | Stone-Guard      | Pare-Pierres           | Prallblech      |         |
| 2    | 22517856/1  | 1    | Perno            | Pin              | Pivot                  | Bolzen          |         |
| 3    | 22450270/0  | 1    | Molla            | Spring           | Ressort                | Feder           |         |
| 5    | 22486065/0  | 1    | Sacco, Parte Sup | Grass-Box, Upper | Sac, Partie Superieure | Korb, Oberteil  |         |
| 6    | 22486064/0  | 1    | Sacco, Parte Inf | Grass-Box, Lower | Sac, Partie Inferieure | Korb, Unterteil |         |
| 11   | 81002124/1  | 1    | Sacco, Tela      | Box, Fabric      | Sac, Toile             | Sack, Tuck      |         |
| 12   | 81006430/0  | 1    | Telaio Sacco     | Chassis Box      | Châssis Bac            | Rahmen Sack     |         |

# NP 534

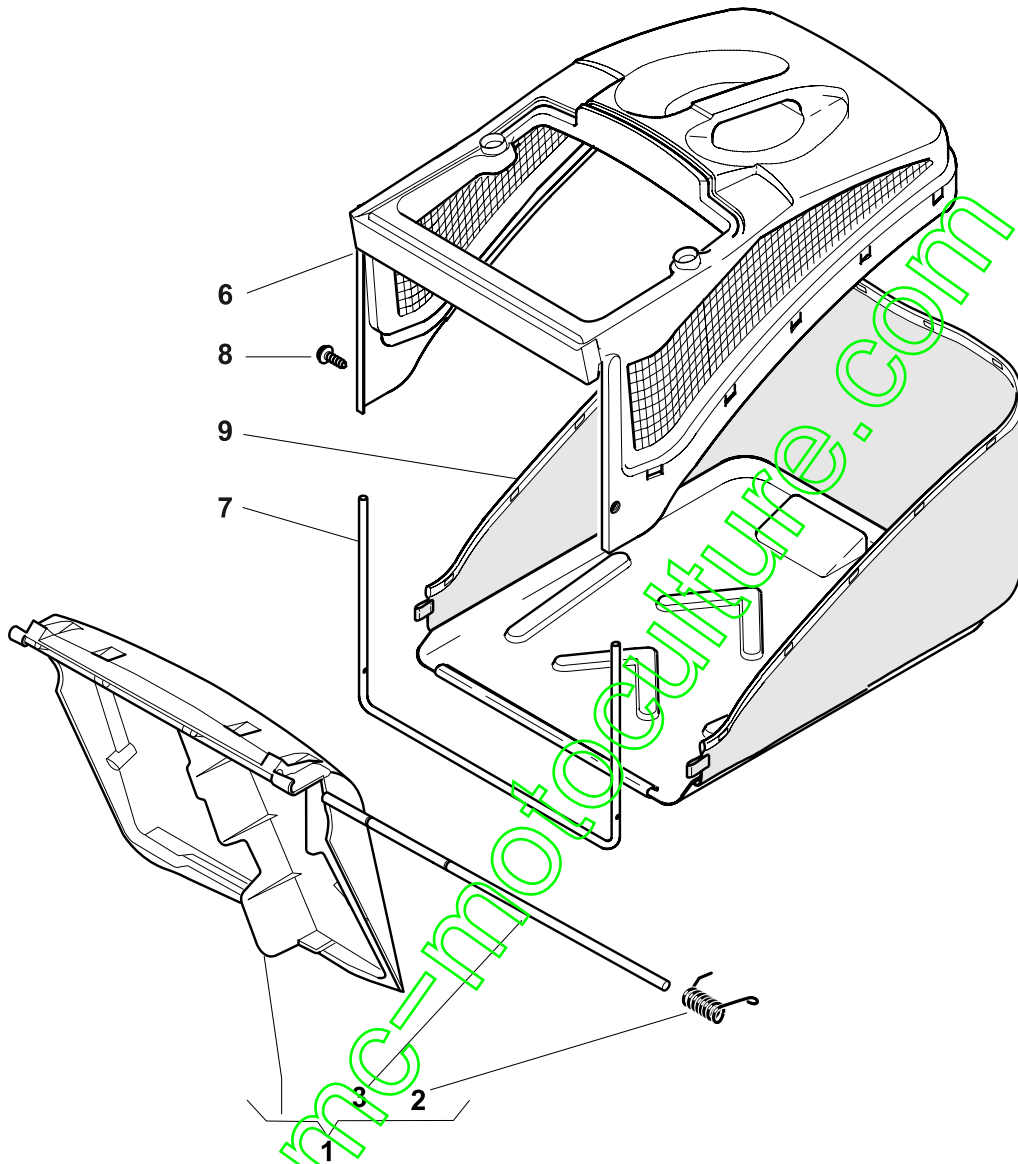
|    |      |       |         |         |           |            |              |
|----|------|-------|---------|---------|-----------|------------|--------------|
| TR | TR-E | TR 3S | TR-E 3S | W<br>TR | W<br>TR-E | W<br>TR 3S | W<br>TR-E 3S |
|----|------|-------|---------|---------|-----------|------------|--------------|



2009

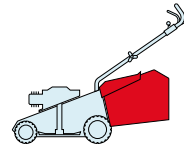
54\_022

1 / 1



| POS. | CODE        | Q.TY | DESCRIZIONE      | DESCRIPTION      | DESCRIPTION       | BESCHREIBUNG   | REMARKS |
|------|-------------|------|------------------|------------------|-------------------|----------------|---------|
| 1    | 381008050/0 | 1    | Parasassi        | Stone-Guard      | Pare-Pierres      | Prallblech     |         |
| 2    | 22451000/0  | 1    | Molla            | Spring           | Ressort           | Feder          |         |
| 3    | 22517857/0  | 1    | Perno            | Pin              | Pivot             | Bolzen         |         |
| 6    | 22486094/0  | 1    | Sacco, Parte Sup | Grass-Box, Upper | Sac, Partie       | Korb, Oberteil |         |
| 7    | 22608524/0  | 1    | Rinforzo inf     | Stiffening Lower | Réinforcement Inf | Verstärkung    |         |
| 8    | 12728445/0  | 2    | vite             | Screw            | Vis               | Schraube       |         |
| 9    | 81002196/0  | 1    | Sacco, Tela      | Box, Fabric      | Sac, Toile        | Sack, Tuck     |         |

# NP 534

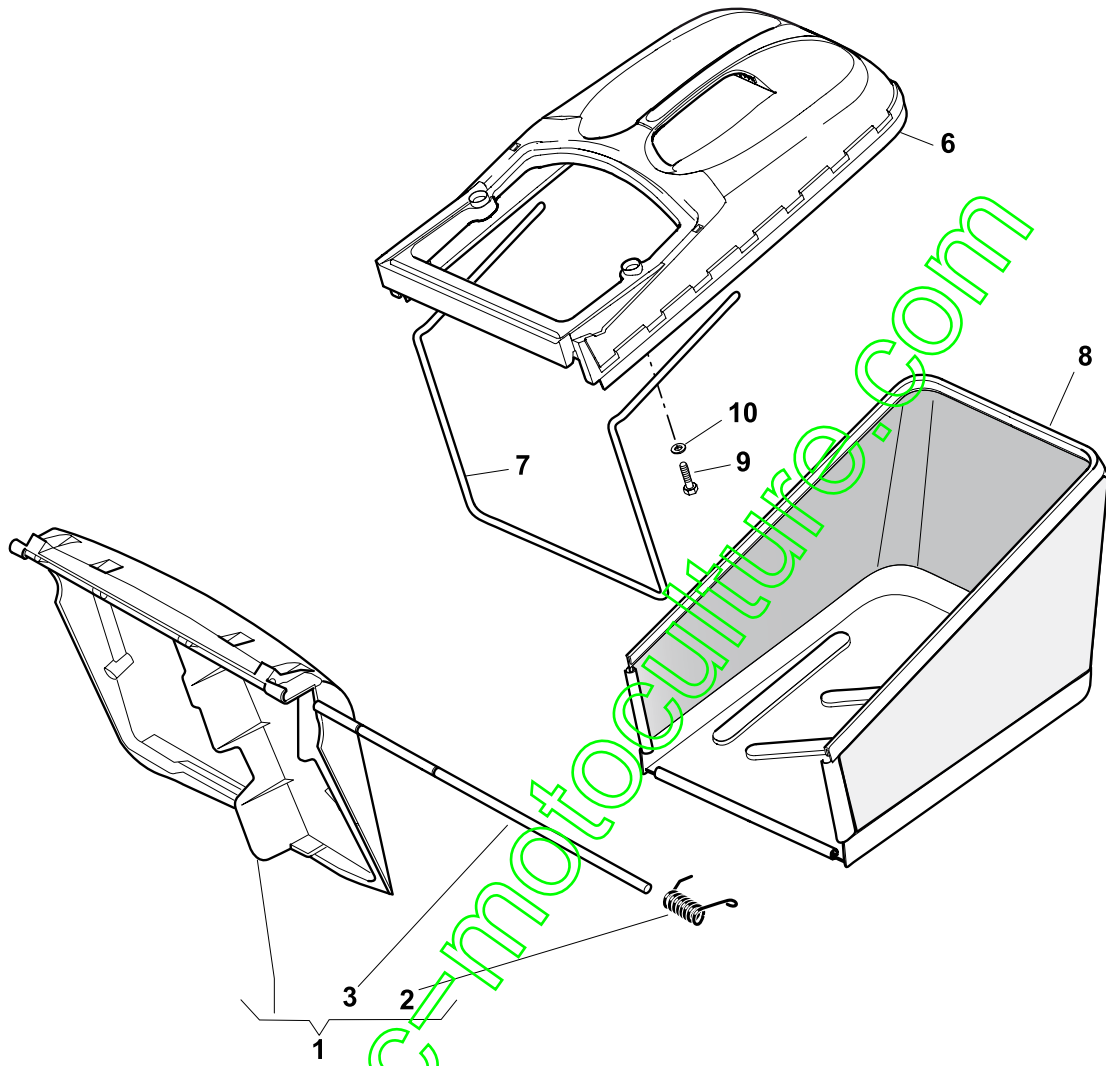


2009

54\_023

1 / 1

|    |      |       |         |         |           |            |              |
|----|------|-------|---------|---------|-----------|------------|--------------|
| TR | TR-E | TR 3S | TR-E 3S | W<br>TR | W<br>TR-E | W<br>TR 3S | W<br>TR-E 3S |
|----|------|-------|---------|---------|-----------|------------|--------------|



| POS. | CODE        | Q.TY | DESCRIZIONE          | DESCRIPTION      | DESCRIPTION       | BESCHREIBUNG   | REMARKS |
|------|-------------|------|----------------------|------------------|-------------------|----------------|---------|
| 1    | 381008050/0 | 1    | Parasassi            | Stone-Guard      | Pare-Pierres      | Prallblech     |         |
| 2    | 22451000/0  | 1    | Molla                | Spring           | Ressort           | Feder          |         |
| 3    | 22517857/0  | 1    | Perno                | Pin              | Pivot             | Bolzen         |         |
| 6    | 22486102/0  | 1    | Sacchetto, Parte Sup | Grass-Box, Upper | Sac, Partie       | Korb, Oberteil |         |
| 7    | 22608526/0  | 1    | Rinforzo Inf         | Stiffening Lower | Réinforcement Inf | Verstärkung    |         |
| 8    | 81002212/0  | 1    | Sacchetto, Tela      | Box, Fabric      | Sac, Toile        | Sack, Tuck     |         |
| 9    | 12728680/0  | 2    | Vite                 | Screw            | Vis               | Schraube       |         |
| 10   | 12523050/0  | 2    | Rosetta              | Washer           | Rondelle          | Scheibe        |         |