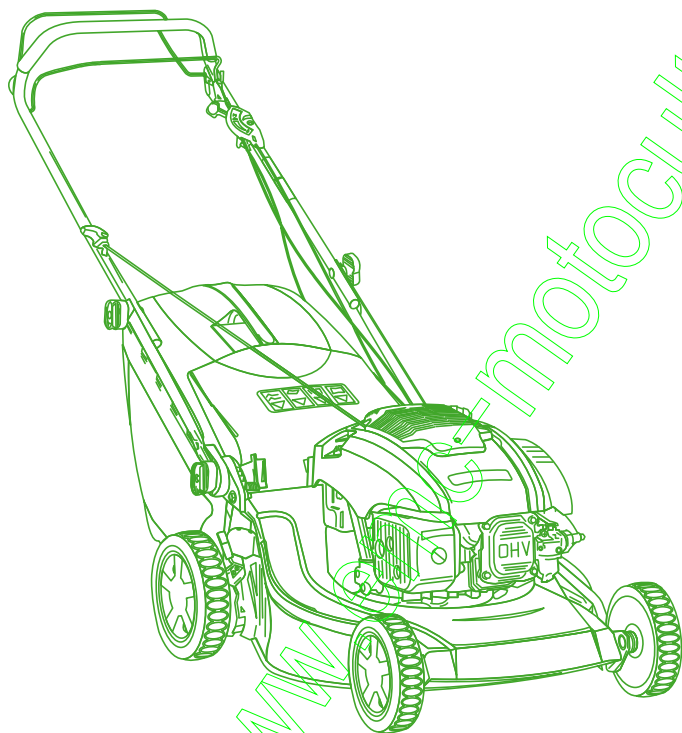


ILLUSTRATED PARTS LIST

NP 534 WTR

NP 534 WTR-E



- Use GLOBAL GARDEN PRODUCT Genuine Spare Parts specified in the parts list for repair and/or replacement.
- The contents described in the parts list may change due to improvement.
- The drawings of the spare parts are only indicative and might not represent the part in question exactly.
- The indications "right" - "left" - "front" - "rear" refer to the position of the operator when using the machine.
- When placing orders of parts for repair and/or replacement, make sure that the illustrated parts list is the one applying to the machine's year of manufacture, as shown on the identification plate attached to the machine.

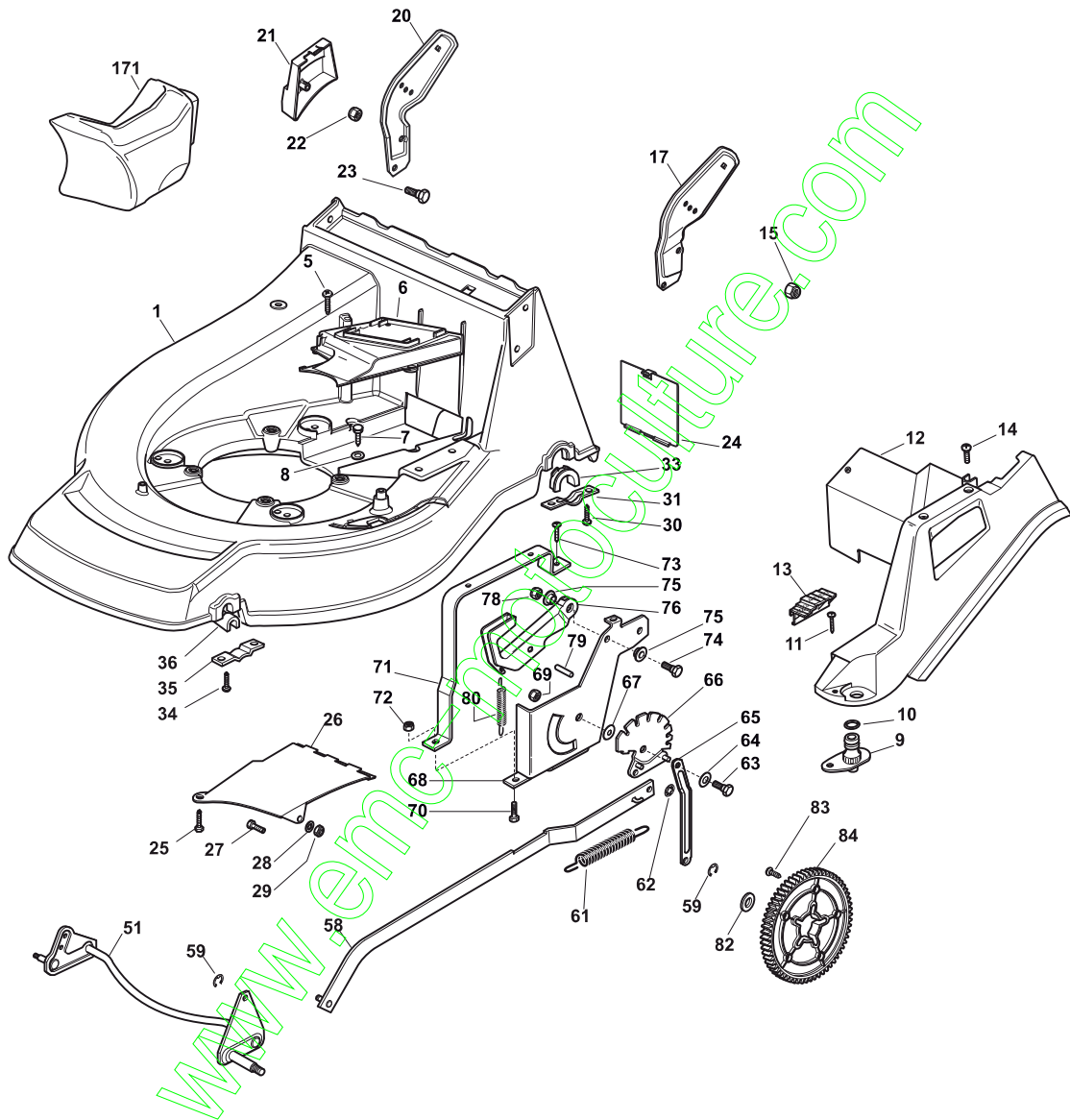
© Copyright 2013 Global Garden Products

All content is subject to copyright by Global Garden Products and may not be reproduced in whole or in part by any means, electronic or otherwise, without prior written approval.

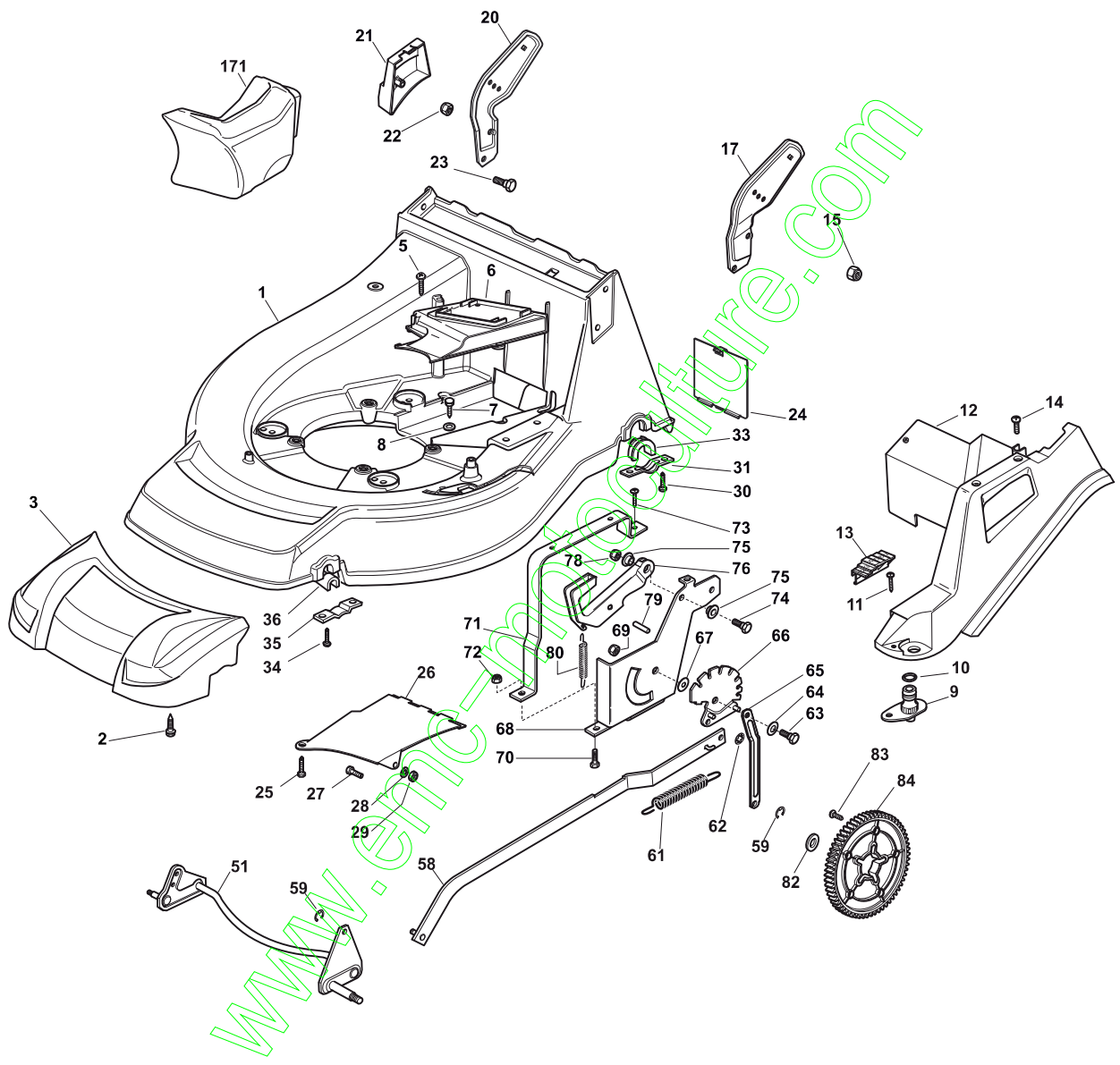
THIS INFORMATION IS NOT INTENDED FOR SALE OR RESALE, AND THIS NOTICE MUST REMAIN ON ALL COPIES.



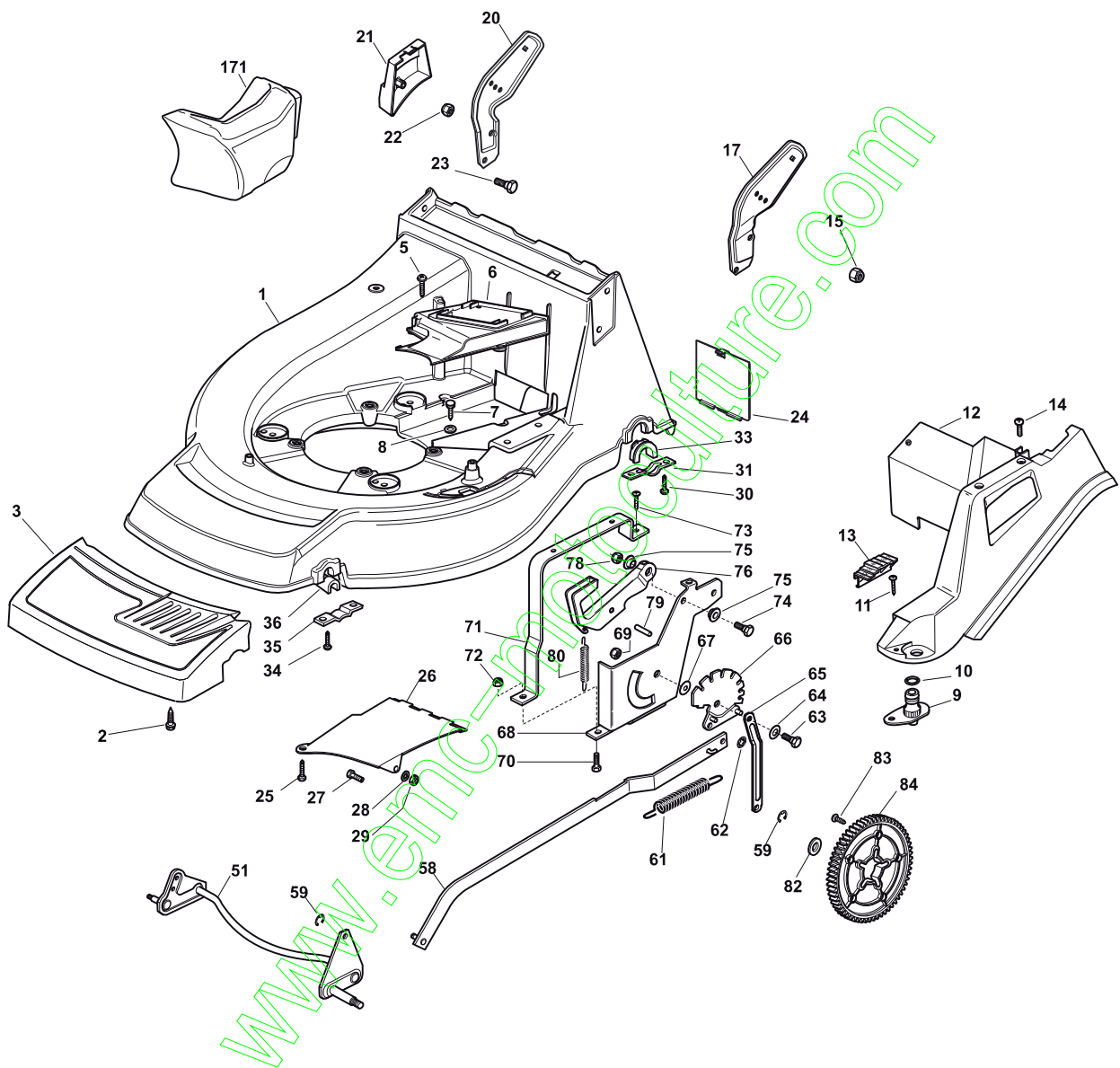
GLOBAL GARDEN PRODUCTS



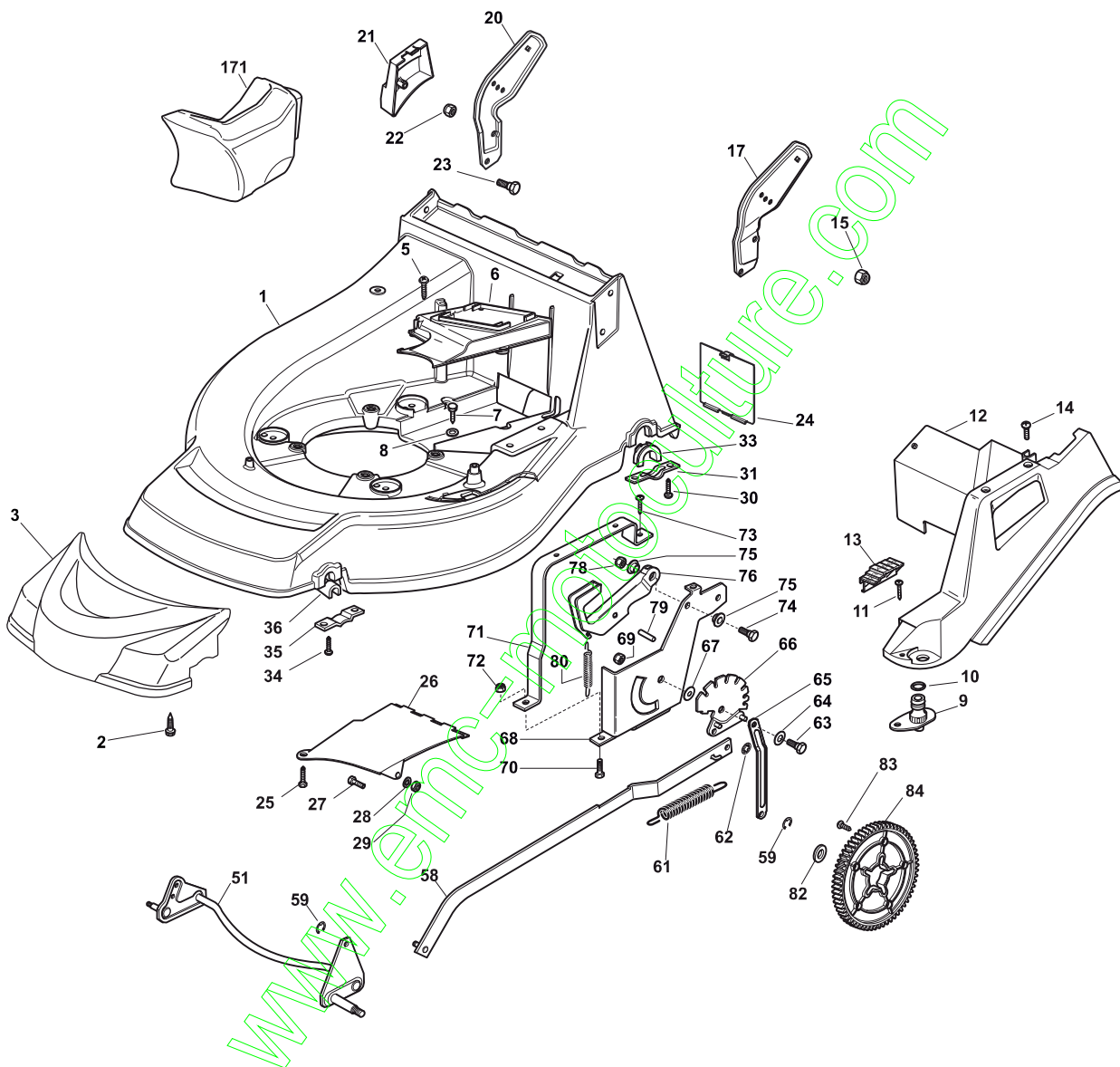
POS	PART. NO	Q.ty	DESCRIPTION	DESCRIZIONE	DESCRIPTION	BESCHREIBUNG	REMARKS
1	381003543/1	1	Deck Red	Chassis Rosso	Châssis Rouge	Gehäuse Rot	
5	112728522/0	2	Screw	Vite	Vis	Schraube	
6	322060200/1	1	Protection, Belt	Carter Cinghia	Protection Courroire	Schutz, Riemen	Not For BBC Models
7	112731350/0	1	Screw	Vite	Vis	Schraube	
8	112523040/0	2	Washer	Rosetta	Rondelle	Scheibe	
9	122034000/0	1	Washing Connection	Attacco Acqua Lavaggio	Attaque Lavage	Waschenverbindung	
10	119035000/0	1	Or Ring	Anello Or	Bague Or	Ring Or	
11	112728519/0	3	Screw	Vite	Vis	Schraube	
12	322060144/3	1	Deck, Adjustment	Carter Regolazione	Châssis Reglage	Gehäuse	
13	122570200/0	1	Plate, Cutting Positions	Placchetta Posizioni	Plaquette Reglage	Platte, Höheverstellung	
14	112728520/0	1	Screw	Vite	Vis	Schraube	
15	112155000/0	2	Nut	Dado	Ecrou	Mutter	
17	322778397/1	1	Bracket, L	Staffa Sx	Etrier Gauche	Steigbügel, Linke	
20	322778396/1	1	Bracket, R	Staffa Dx	Etrier Droit	Steigbügel, Rechte	
21	122601001/0	1	Protection	Cappuccio	Capuchon	Stecker	
22	112155000/0	2	Nut	Dado	Ecrou	Mutter	
23	112793301/0	2	Screw	Vite	Vis	Schraube	
24	122595352/0	1	Inspection Door	Portina Chiusura	Voyant De Visite	Abdeckplatte	
25	112731350/0	1	Screw	Vite	Vis	Schraube	
26	322108205/0	1	Conveyor	Convogliatore	Convoyeur	Konveyor	
27	112789000/0	1	Screw	Vite	Vis	Schraube	
28	112523020/0	1	Washer	Rosetta	Rondelle	Scheibe	
29	112154330/0	1	Nut	Dado	Ecrou	Mutter	
30	112731350/0	4	Screw	Vite	Vis	Schraube	
31	322545177/0	2	Plate	Piastrina	Plaquette	Plättchen	
33	322038407/0	2	Brass	Bronzina	Douille	Buchse	
34	112731350/0	4	Screw	Vite	Vis	Schraube	
35	322545156/0	2	Plate	Piastrina	Plaquette	Plättchen	
36	122038400/1	2	Brass	Bronzina	Douille	Buchse	
51	381302865/0	1	Axle, Front Wheels	Asse Ruote Anteriori	Axe Roues Avant	Achse, Vorderrad	
58	381002023/0	1	Rod, Height Adjustment	Asta Comando Regol. Altezza	Tige Commande Reglage Hauteur	Stange, Höheverstellung	
59	112000930/0	2	Snap Ring	Anello Elastico	Anneau Ressort	Sprengring	
61	122446187/0	1	Spring	Molla	Ressort	Feder	
62	112604899/0	2	Crown Fastener	Fissatore A Corona	Fixateur A Couronne	Kronescheibe	
63	122529662/0	1	Fulcrum Pin	Perno Fulcro	Pivot	Gelenkpunkt	
64	322672151/0	1	Washer	Rosetta	Rondelle	Scheibe	
65	322033299/0	1	Rod, Rear Wheels Axle	Asta Asse Posteriore	Tige, Axe Roue Arrieres	Stange, Hinterradachse	
66	381000499/0	1	Sector, Height Adjustment	Settore Regolazione Altezza	Secteur Reglage Hauteur	Sektor, Höheverstellung	
67	322672152/0	1	Washer	Rosetta	Rondelle	Scheibe	
68	322785109/0	1	Support, Height Adjustment	Supporto Regolazione Altezza	Support Reglage	Halter, Höheverstellung	
69	112155000/0	1	Nut	Dado	Ecrou	Mutter	
70	112793301/0	2	Screw	Vite	Vis	Schraube	
71	322785113/0	1	Support, Handle	Supporto Maniglia	Support Poignée	Halter, Griff	
72	112293201/0	2	Nut	Dado	Ecrou	Mutter	
73	112729600/0	1	Screw	Vite	Vis	Schraube	
74	112793301/0	1	Screw	Vite	Vis	Schraube	
75	125038002/1	2	Bush	Bussola	Douille	Büchse	
76	322393611/2	1	Handle	Maniglia	Poignée	Griff	
78	112293201/0	1	Nut	Dado	Ecrou	Mutter	
79	112622640/0	1	Pin	Perno	Pivot	Bolzen	
80	122446175/0	1	Spring	Molla	Ressort	Feder	
82	122675100/0	2	Washer	Rosetta	Rondelle	Scheibe	
83	112728691/0	6	Screw	Vite	Vis	Schraube	
84	322120110/0	2	Sprocket	Ruota Dentata	Couronne	Zahnkettenrad	
171	322140224/0	1	Cap	Puntale	Bouchon	Gummistopfen	



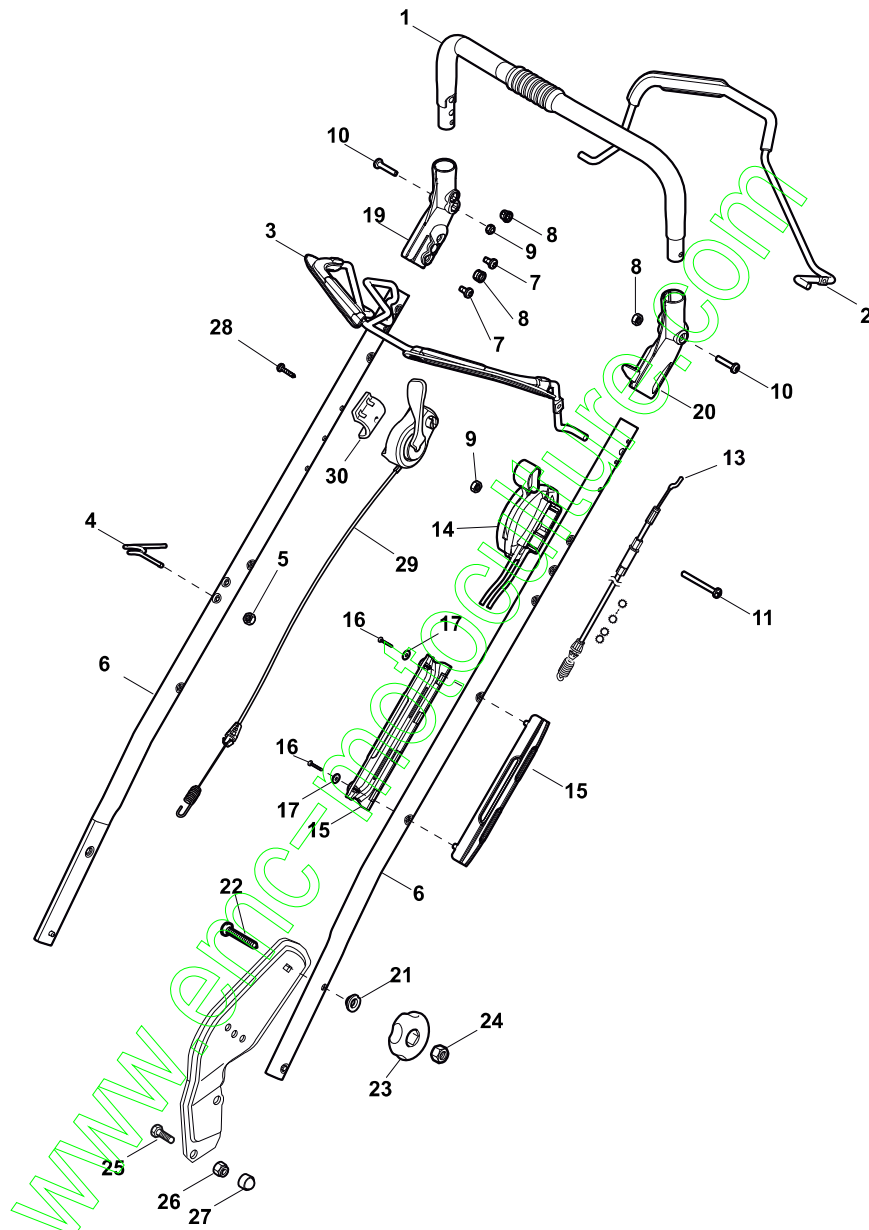
POS	PART. NO	Q.ty	DESCRIPTION	DESCRIZIONE	DESCRIPTION	BESCHREIBUNG	REMARKS
1	381003543/1	1	Deck Red	Chassis Rosso	Châssis Rouge	Gehäuse Rot	
2	112735420/0	4	Screw	Vite	Vis	Schraube	
3	322226112/1	1	Mask, Grey	Mascherina, Grigio	Mesque	Maske	
5	112728522/0	2	Screw	Vite	Vis	Schraube	
6	322060200/1	1	Protection, Belt	Carter Cinghia	Protection Courroire	Schutz, Riemen	Not For BBC Models
7	112731350/0	1	Screw	Vite	Vis	Schraube	
8	112523040/0	2	Washer	Rosetta	Rondelle	Scheibe	
9	122034000/0	1	Washing Connection	Attacco Acqua Lavaggio	Attaque Lavage	Waschenverbindung	
10	119035000/0	1	Or Ring	Anello Or	Bague Or	Ring Or	
11	112728519/0	3	Screw	Vite	Vis	Schraube	
12	322060144/3	1	Deck, Adjustment	Carter Regolazione	Châssis Reglage	Gehäuse	
13	122570200/0	1	Plate, Cutting Positions	Placchetta Posizioni	Plaquette Reglage	Platte, Höheverstellung	
14	112728520/0	1	Screw	Vite	Vis	Schraube	
15	112155000/0	2	Nut	Dado	Ecrou	Mutter	
17	322778397/1	1	Bracket, L	Staffa Sx	Etrier Gauche	Steigbügel, Linke	
20	322778396/1	1	Bracket, R	Staffa Dx	Etrier Droit	Steigbügel, Rechte	
21	122601001/0	1	Protection	Cappuccio	Capuchon	Stecker	
22	112155000/0	2	Nut	Dado	Ecrou	Mutter	
23	112793301/0	2	Screw	Vite	Vis	Schraube	
24	122595352/0	1	Inspection Door	Portina Chiusura	Voyant De Visite	Abdeckplatte	
25	112731350/0	1	Screw	Vite	Vis	Schraube	
26	322108205/0	1	Conveyor	Convogliatore	Convoyeur	Konveyor	
27	112789000/0	1	Screw	Vite	Vis	Schraube	
28	112523020/0	1	Washer	Rosetta	Rondelle	Scheibe	
29	112154330/0	1	Nut	Dado	Ecrou	Mutter	
30	112731350/0	4	Screw	Vite	Vis	Schraube	
31	322545177/0	2	Plate	Piastrina	Plaquette	Plättchen	
33	322038407/0	2	Brass	Bronzina	Douille	Buchse	
34	112731350/0	4	Screw	Vite	Vis	Schraube	
35	322545156/0	2	Plate	Piastrina	Plaquette	Plättchen	
36	122038400/1	2	Brass	Bronzina	Douille	Buchse	
51	381302865/0	1	Axle, Front Wheels	Asse Ruote Anteriori	Axe Roues Avant	Achse, Vorderrad	
58	381002023/0	1	Rod, Height Adjustment	Asta Comando Regol. Altezza	Tige Commande Reglage Hauteur	Stange, Höheverstellung	
59	112000930/0	2	Snap Ring	Anello Elastico	Anneau Ressort	Sprengring	
61	122446187/0	1	Spring	Molla	Ressort	Feder	
62	112604899/0	2	Crown Fastener	Fissatore A Corona	Fixateur A Couronne	Kronescheibe	
63	122529662/0	1	Fulcrum Pin	Perno Fulcro	Pivot	Gelenkpunkt	
64	322672151/0	1	Washer	Rosetta	Rondelle	Scheibe	
65	322033299/0	1	Rod, Rear Wheels Axle	Asta Asse Posteriore	Tige, Axe Roue Arrieres	Stange, Hinterradachse	
66	381000499/0	1	Support, Height Adjust.	Settore Reg. Altezza	Support Reglage	Sektor, Höheverstellung	
67	322672152/0	1	Washer	Rosetta	Rondelle	Scheibe	
68	322785109/0	1	Support, Height Adjust.	Settore Reg. Altezza	Support Reglage	Halter, Höheverstellung	
69	112155000/0	1	Nut	Dado	Ecrou	Mutter	
70	112793301/0	2	Screw	Vite	Vis	Schraube	
71	322785113/0	1	Support, Handle	Supporto Maniglia	Support Poignée	Halter, Griff	
72	112293201/0	2	Nut	Dado	Ecrou	Mutter	
73	112729600/0	1	Screw	Vite	Vis	Schraube	
74	112793301/0	1	Screw	Vite	Vis	Schraube	
75	125038002/1	2	Bush	Bussola	Douille	Büchse	
76	322393611/2	1	Handle	Maniglia	Poignée	Griff	
78	112293201/0	1	Nut	Dado	Ecrou	Mutter	
79	112622640/0	1	Pin	Perno	Pivot	Bolzen	
80	122446175/0	1	Spring	Molla	Ressort	Feder	
82	122675100/0	2	Washer	Rosetta	Rondelle	Scheibe	
83	112728691/0	6	Screw	Vite	Vis	Schraube	
84	322120110/0	2	Sprocket	Ruota Dentata	Couronne	Zahnkettenrad	
171	322140224/0	1	Cap	Puntale	Bouchon	Gummistopfen	



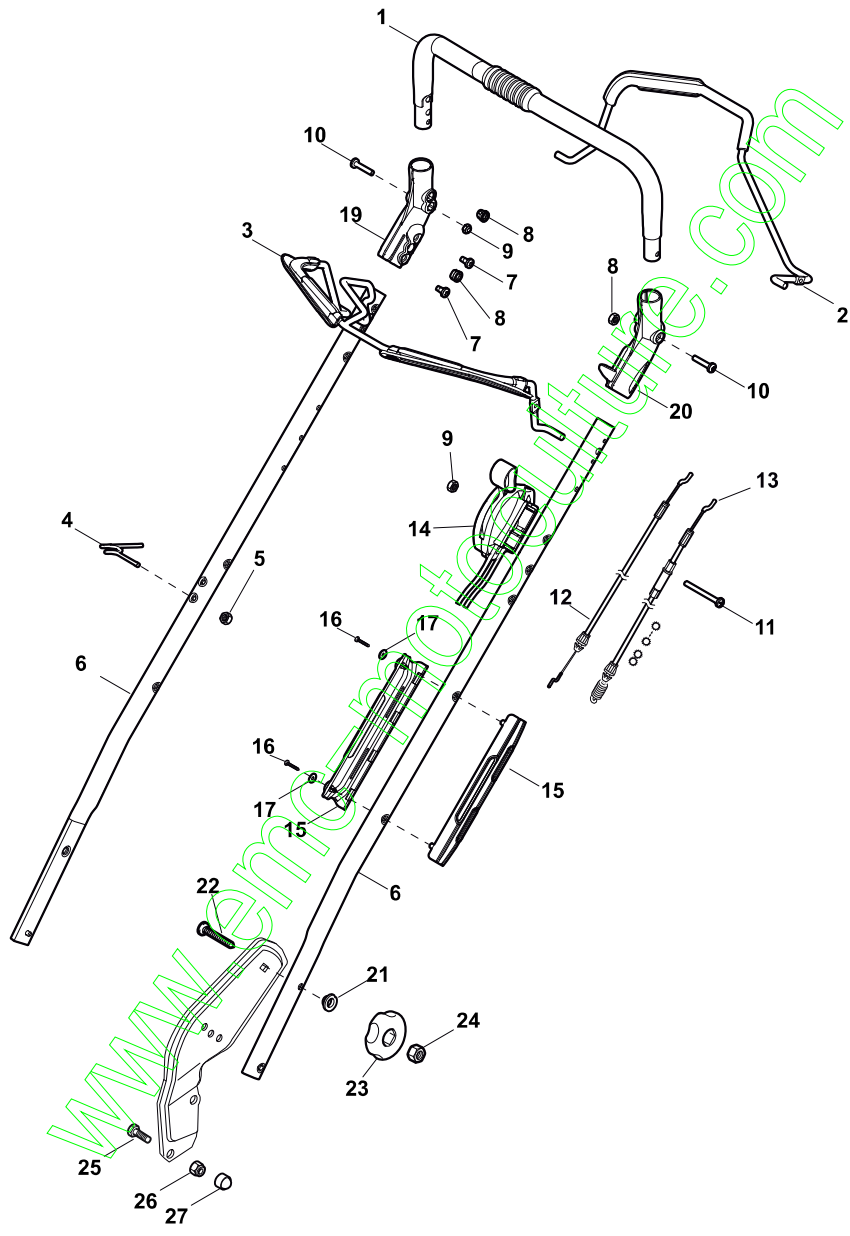
POS	PART. NO	Q.ty	DESCRIPTION	DESCRIZIONE	DESCRIPTION	BESCHREIBUNG	REMARKS
1	381003543/1	1	Deck Red	Chassis Rosso	Châssis Rouge	Gehäuse Rot	
2	112735420/0	4	Screw	Vite	Vis	Schraube	
3	322226124/0	1	Mask, Black	Mascherina, Nero	Mesque, Noir	Maske, Schwarz	
5	112728522/0	2	Screw	Vite	Vis	Schraube	
6	322060200/1	1	Protection, Belt	Carter Cinghia	Protection Courroire	Schutz, Riemen	Not For BBC Models
7	112731350/0	1	Screw	Vite	Vis	Schraube	
8	112523040/0	2	Washer	Rosetta	Rondelle	Scheibe	
9	122034000/0	1	Washing Connection	Attacco Acqua Lavaggio	Attaque Lavage	Waschenverbindung	
10	119035000/0	1	Or Ring	Anello Or	Bague Or	Ring Or	
11	112728519/0	3	Screw	Vite	Vis	Schraube	
12	322060144/3	1	Deck, Adjustment	Carter Regolazione	Châssis Reglage	Gehäuse	
13	122570200/0	1	Plate, Cutting Positions	Placchetta Posizioni	Plaquette Reglage	Platte, Höheverstellung	
14	112728520/0	1	Screw	Vite	Vis	Schraube	
15	112155000/0	2	Nut	Dado	Ecrou	Mutter	
17	322778397/1	1	Bracket, L	Staffa Sx	Etrier Gauche	Steigbügel, Linke	
20	322778396/1	1	Bracket, R	Staffa Dx	Etrier Droit	Steigbügel, Rechte	
21	122601001/0	1	Protection	Cappuccio	Capuchon	Stecker	
22	112155000/0	2	Nut	Dado	Ecrou	Mutter	
23	112793301/0	2	Screw	Vite	Vis	Schraube	
24	122595352/0	1	Inspection Door	Portina Chiusura	Voyant De Visite	Abdeckplatte	
25	112731350/0	1	Screw	Vite	Vis	Schraube	
26	322108205/0	1	Conveyor	Convogliatore	Convoyeur	Konveyor	
27	112789000/0	1	Screw	Vite	Vis	Schraube	
28	112523020/0	1	Washer	Rosetta	Rondelle	Scheibe	
29	112154330/0	1	Nut	Dado	Ecrou	Mutter	
30	112731350/0	4	Screw	Vite	Vis	Schraube	
31	322545177/0	2	Plate	Piastrina	Plaquette	Plättchen	
33	322038407/0	2	Brass	Bronzina	Douille	Buchse	
34	112731350/0	4	Screw	Vite	Vis	Schraube	
35	322545156/0	2	Plate	Piastrina	Plaquette	Plättchen	
36	122038400/1	2	Brass	Bronzina	Douille	Buchse	
51	381302865/0	1	Axle, Front Wheels	Asse Ruote Anteriori	Axe Roues Avant	Achse, Vorderrad	
58	381002023/0	1	Rod, Height Adjustment	Asta Comando Regol. Altezza	Tige Commande Reglage Hauteur	Stange, Höheverstellung	
59	112000930/0	2	Snap Ring	Anello Elastico	Anneau Ressort	Sprengring	
61	122446187/0	1	Spring	Molla	Ressort	Feder	
62	112604899/0	2	Crown Fastener	Fissatore A Corona	Fixateur A Couronne	Kronescheibe	
63	122529662/0	1	Fulcrum Pin	Perno Fulcro	Pivot	Gelenkpunkt	
64	322672151/0	1	Washer	Rosetta	Rondelle	Scheibe	
65	322033299/0	1	Rod, Rear Wheels Axle	Asta Asse Posteriore	Tige, Axe Roue Arrieres	Stange, Hinterradachse	
66	381000499/0	1	Sector, Height Adjustment	Settore Regolazione Altezza	Secteur Reglage Hauteur	Sektor, Höheverstellung	
67	322672152/0	1	Washer	Rosetta	Rondelle	Scheibe	
68	322785109/0	1	Support, Height Adjustment	Supporto Regolazione Altezza	Support Reglage	Halter, Höheverstellung	
69	112155000/0	1	Nut	Dado	Ecrou	Mutter	
70	112793301/0	2	Screw	Vite	Vis	Schraube	
71	322785113/0	1	Support, Handle	Supporto Maniglia	Support Poignée	Halter, Griff	
72	112293201/0	2	Nut	Dado	Ecrou	Mutter	
73	112729600/0	1	Screw	Vite	Vis	Schraube	
74	112793301/0	1	Screw	Vite	Vis	Schraube	
75	125038002/1	2	Bush	Bussola	Douille	Büchse	
76	322393611/2	1	Handle	Maniglia	Poignée	Griff	
78	112293201/0	1	Nut	Dado	Ecrou	Mutter	
79	112622640/0	1	Pin	Perno	Pivot	Bolzen	
80	122446175/0	1	Spring	Molla	Ressort	Feder	
82	122675100/0	2	Washer	Rosetta	Rondelle	Scheibe	
83	112728691/0	6	Screw	Vite	Vis	Schraube	
84	322120110/0	2	Sprocket	Ruota Dentata	Couronne	Zahnkettenrad	
171	322140224/0	1	Cap	Puntale	Bouchon	Gummistopfen	



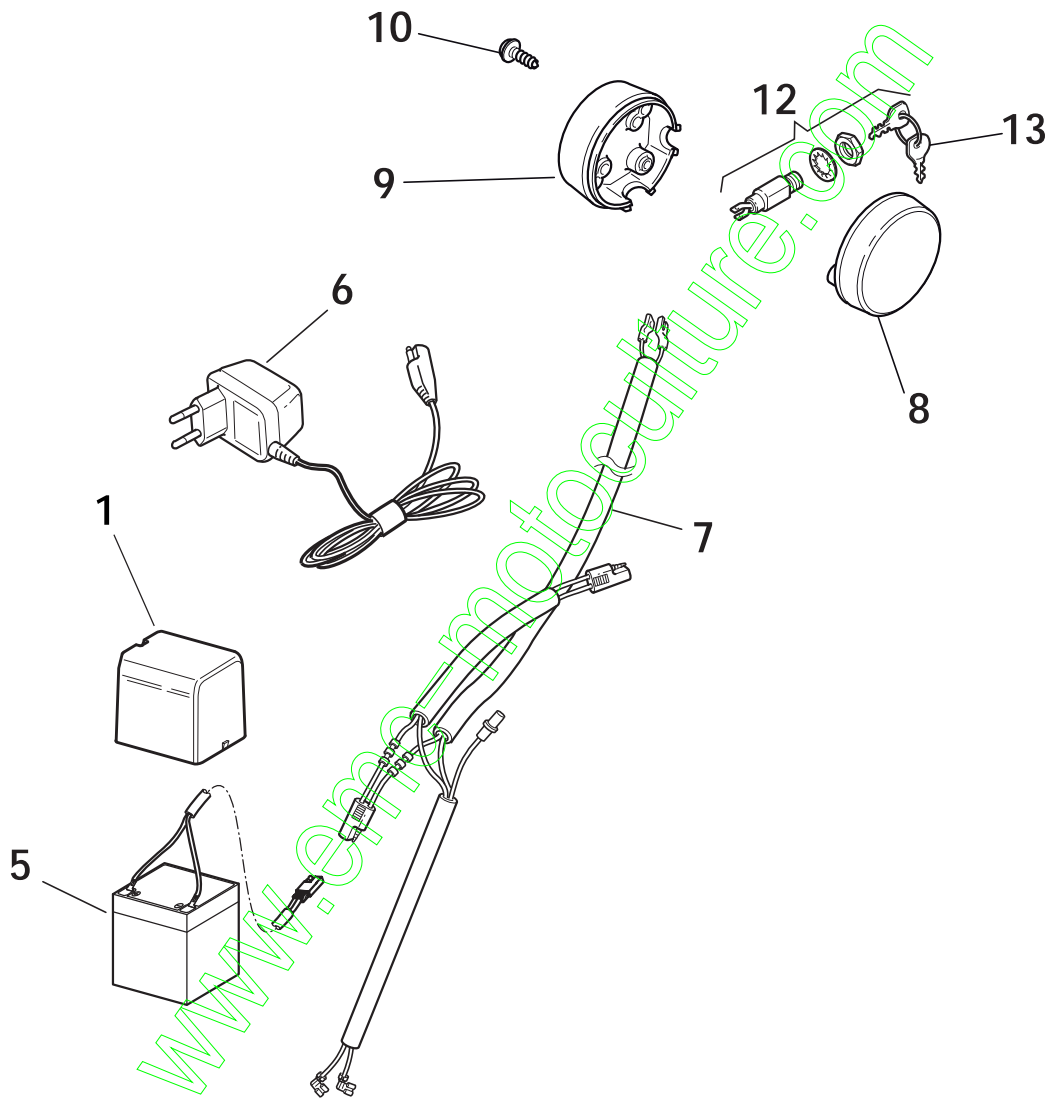
POS	PART. NO	Q.ty	DESCRIPTION	DESCRIZIONE	DESCRIPTION	BESCHREIBUNG	REMARKS
1	381003543/1	1	Deck Red	Chassis Rosso	Châssis Rouge	Gehäuse Rot	
2	112735420/0	4	Screw	Vite	Vis	Schraube	
3	122226050/0	1	Mask, Black	Mascherina, Nero	Mesque, Noir	Maske, Schwarz	
5	112728522/0	2	Screw	Vite	Vis	Schraube	
6	322060200/1	1	Protection, Belt	Carter Cinghia	Protection Courroire	Schutz, Riemen	Not For BBC Models
7	112731350/0	1	Screw	Vite	Vis	Schraube	
8	112523040/0	2	Washer	Rosetta	Rondelle	Scheibe	
9	122034000/0	1	Washing Connection	Attacco Acqua Lavaggio	Attaque Lavage	Waschenverbindung	
10	119035000/0	1	Or Ring	Anello Or	Bague Or	Ring Or	
11	112728519/0	3	Screw	Vite	Vis	Schraube	
12	322060144/3	1	Deck, Adjustment	Carter Regolazione	Châssis Reglage	Gehäuse	
13	122570200/0	1	Plate, Cutting Positions	Placchetta Posizioni	Plaquette Reglage	Platte, Höheverstellung	
14	112728520/0	1	Screw	Vite	Vis	Schraube	
15	112155000/0	2	Nut	Dado	Ecrou	Mutter	
17	322778397/1	1	Bracket, L	Staffa Sx	Etrier Gauche	Steigbügel, Linke	
20	322778396/1	1	Bracket, R	Staffa Dx	Etrier Droit	Steigbügel, Rechte	
21	122601001/0	1	Protection	Cappuccio	Capuchon	Stecker	
22	112155000/0	2	Nut	Dado	Ecrou	Mutter	
23	112793301/0	2	Screw	Vite	Vis	Schraube	
24	122595352/0	1	Inspection Door	Portina Chiusura	Voyant De Visite	Abdeckplatte	
25	112731350/0	1	Screw	Vite	Vis	Schraube	
26	322108205/0	1	Conveyor	Convogliatore	Convoyeur	Konveyor	
27	112789000/0	1	Screw	Vite	Vis	Schraube	
28	112523020/0	1	Washer	Rosetta	Rondelle	Scheibe	
29	112154330/0	1	Nut	Dado	Ecrou	Mutter	
30	112731350/0	4	Screw	Vite	Vis	Schraube	
31	322545177/0	2	Plate	Piastrina	Plaquette	Plättchen	
33	322038407/0	2	Brass	Bronzina	Douille	Buchse	
34	112731350/0	4	Screw	Vite	Vis	Schraube	
35	322545156/0	2	Plate	Piastrina	Plaquette	Plättchen	
36	122038400/1	2	Brass	Bronzina	Douille	Buchse	
51	381302865/0	1	Axle, Front Wheels	Asse Ruote Anteriori	Axe Roues Avant	Achse, Vorderrad	
58	381002023/0	1	Rod, Height Adjustment	Asta Comando Regol. Altezza	Tige Commande Reglage Hauteur	Stange, Höheverstellung	
59	112000930/0	2	Snap Ring	Anello Elastico	Anneau Ressort	Sprengring	
61	122446187/0	1	Spring	Molla	Ressort	Feder	
62	112604899/0	2	Crown Fastener	Fissatore A Corona	Fixateur A Couronne	Kronescheibe	
63	122529662/0	1	Fulcrum Pin	Perno Fulcro	Pivot	Gelenkpunkt	
64	322672151/0	1	Washer	Rosetta	Rondelle	Scheibe	
65	322033299/0	1	Rod, Rear Wheels Axle	Asta Asse Posteriore	Tige, Axe Roue Arrieres	Stange, Hinterradachse	
66	381000499/0	1	Sector, Height Adjustment	Settore Regolazione Altezza	Secteur Reglage Hauteur	Sektor, Höheverstellung	
67	322672152/0	1	Washer	Rosetta	Rondelle	Scheibe	
68	322785109/0	1	Support, Height Adjustment	Supporto Regolazione Altezza	Support Reglage	Halter, Höheverstellung	
69	112155000/0	1	Nut	Dado	Ecrou	Mutter	
70	112793301/0	2	Screw	Vite	Vis	Schraube	
71	322785113/0	1	Support, Handle	Supporto Maniglia	Support Poignée	Halter, Griff	
72	112293201/0	2	Nut	Dado	Ecrou	Mutter	
73	112729600/0	1	Screw	Vite	Vis	Schraube	
74	112793301/0	1	Screw	Vite	Vis	Schraube	
75	125038002/1	2	Bush	Bussola	Douille	Büchse	
76	322393611/2	1	Handle	Maniglia	Poignée	Griff	
78	112293201/0	1	Nut	Dado	Ecrou	Mutter	
79	112622640/0	1	Pin	Perno	Pivot	Bolzen	
80	122446175/0	1	Spring	Molla	Ressort	Feder	
82	122675100/0	2	Washer	Rosetta	Rondelle	Scheibe	
83	112728691/0	6	Screw	Vite	Vis	Schraube	
84	322120110/0	2	Sprocket	Ruota Dentata	Couronne	Zahnkettenrad	
171	322140224/0	1	Cap	Puntale	Bouchon	Gummistopfen	



POS	PART. NO	Q.ty	DESCRIPTION	DESCRIZIONE	DESCRIPTION	BESCHREIBUNG	REMARKS
1	381006670/2	1	Handgrip	Impugnatura	Poignée	Handgriff	
2	381003349/0	1	Lever, Driving	Leva Trazione	Levier Traction	Antriebhebel	
3	381003346/0	1	Lever, Engine Brake	Leva Freno Motore	Levier Frein Moteur	Hebel, Motorbremse	
4	122430309/0	1	Spring	Molla	Ressort	Feder	
5	112154330/0	1	Nut	Dado	Ecrou	Mutter	
6	381007046/0	2	Handle Black, R	Manico Nero, Parte Dx	Mancheron Noir, D	Holm Schwarz, Rechte	Black
6	381007047/0	2	Handle Grey, R	Manico Grigio	Mancheron Gris	Holm Grau	Grey
7	112735662/1	4	Screw	Vite	Vis	Schraube	
8	322041967/0	3	Bush	Bussola	Douille	Büchse	
9	112154510/0	3	Nut	Dado	Ecrou	Mutter	
10	112728721/0	2	Screw	Vite	Vis	Schraube	
11	112727786/0	2	Screw	Vite	Vis	Schraube	
13	381030078/0	1	Cable, Rear Drive	Cavo Comando Trazione	Câble, Comm. Traction	Kabel, Antrieb	
14	181007145/0	1	Throttle Cable	Cavo Acceleratore	Cable, Accelérateur	Gashebel Kabel	B&S
14	181007199/0	1	Throttle Cable	Cavo Acceleratore	Cable, Accelérateur	Gashebel Kabel	Honda-GGP
15	322806644/0	1	Protection	Cappuccio	Capuchon	Stecker	
16	112727812/0	2	Screw	Vite	Vis	Schraube	
17	112523000/1	2	Washer	Rosetta	Rondelle	Scheibe	
19	322488301/0	1	Support , R	Supporto, Parte Dx	Support, D	Halter, Rechte	
20	322488303/0	1	Support, L	Supporto, Parte Sx	Support, G	Halter, Linke	
21	122671651/0	2	Washer	Rosetta	Rondelle	Scheibe	
22	112819105/0	2	Screw	Vite	Vis	Schraube	
23	322399804/1	2	Knob	Manopolina	Poignée	Griff	
24	112293200/0	2	Nut	Dado	Ecrou	Mutter	
25	112793301/0	2	Screw	Vite	Vis	Schraube	
26	112155000/0	2	Nut	Dado	Ecrou	Mutter	
27	118203854/0	2	Protection	Cappuccio	Capuchon	Stecker	
28	112727786/0	1	Screw	Vite	Vis	Schraube	
29	381030081/0	1	Cable, Mechanical Clutch	Cavo Comando Frizione Meccanica	Câble, Commande Embrayage Mecanique	Kabel, Mechanische Kupplung	
30	322000020/0	1	Support	Supporto	Support	Halter	

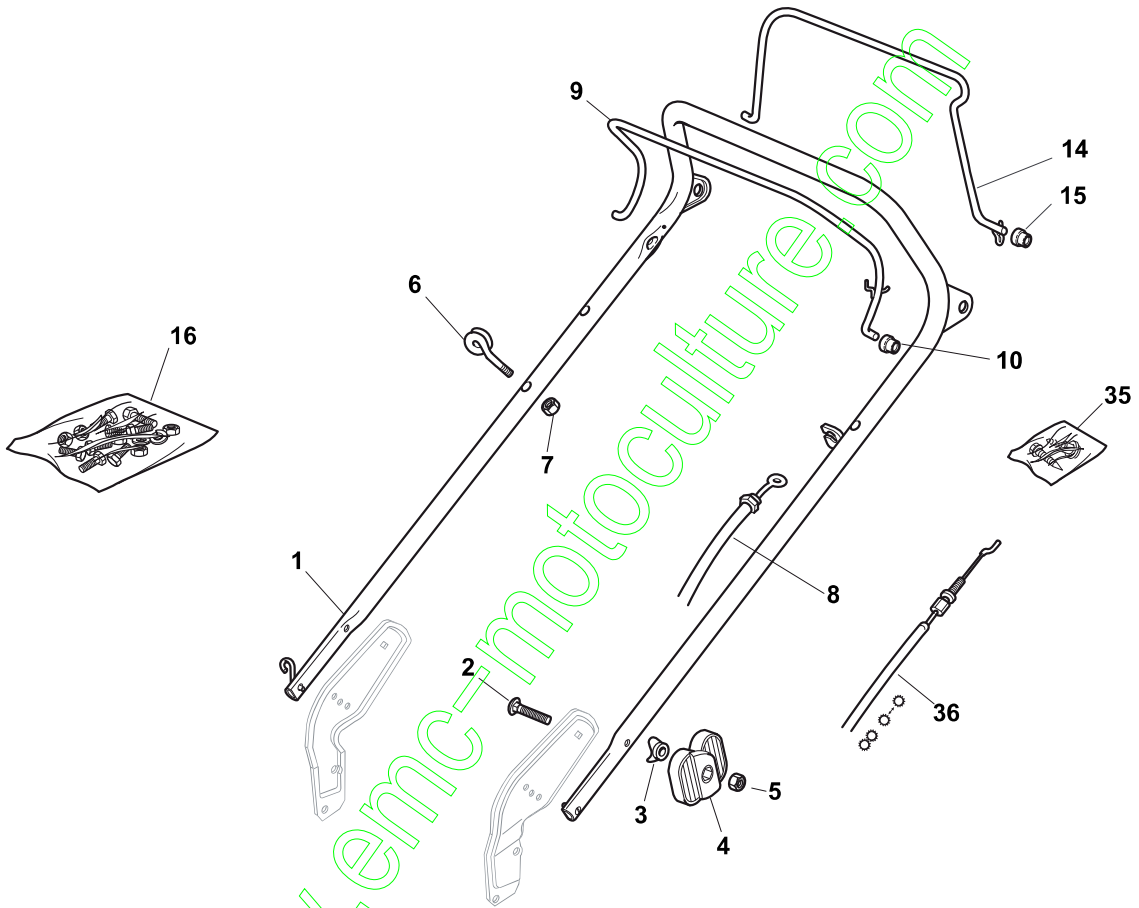


POS	PART. NO	Q.ty	DESCRIPTION	DESCRIZIONE	DESCRIPTION	BESCHREIBUNG	REMARKS
1	381006670/2	1	Handgrip	Impugnatura	Poignée	Handgriff	
2	381003349/0	1	Lever, Driving	Leva Trazione	Levier Traction	Antriebhebel	
3	381003344/0	1	Lever, Engine Brake	Leva Freno Motore	Levier Frein Moteur	Hebel, Motorbremse	
4	122430309/0	1	Spring	Molla	Ressort	Feder	
5	112154330/0	1	Nut	Dado	Ecrou	Mutter	
6	381007046/0	2	Handle Black, R	Manico Nero, Parte Dx	Mancheron Noir, D	Holm Schwarz, Rechte	Black
6	381007047/0	2	Handle Grey, R	Manico Grigio	Mancheron Gris	Holm Grau	Grey
7	112735662/1	4	Screw	Vite	Vis	Schraube	
8	322041967/0	4	Bush	Bussola	Douille	Büchse	
9	112154510/0	3	Nut	Dado	Ecrou	Mutter	
10	112728721/0	2	Screw	Vite	Vis	Schraube	
11	112727786/0	1	Screw	Vite	Vis	Schraube	
12	181030077/0	1	Cable, Thread Engine Brake	Cavo Freno Motore	Cable Frein Moteur	Kabel, Motorbremse	
13	381030078/0	1	Cable, Rear Drive	Cavo Comando Trazione	Câble, Comm. Traction	Kabel, Antrieb	
14	181007145/0	1	Throttle Cable	Cavo Acceleratore	Cable, Accelérateur	Gashebel Kabel	B&S
14	181007199/0	1	Throttle Cable	Cavo Acceleratore	Cable, Accelérateur	Gashebel Kabel	Honda-GGP
15	322806644/0	2	Protection	Cappuccio	Capuchon	Stecker	
16	112727812/0	2	Screw	Vite	Vis	Schraube	
17	112523000/1	2	Washer	Rosetta	Rondelle	Scheibe	
19	322488301/0	1	Support , R	Supporto, Parte Dx	Support, D	Halter, Rechte	
20	322488303/0	1	Support, L	Supporto, Parte Sx	Support, G	Halter, Linke	
21	122671651/0	2	Washer	Rosetta	Rondelle	Scheibe	
22	112819105/0	2	Screw	Vite	Vis	Schraube	
23	322399804/1	2	Knob	Manopolina	Poignée	Griff	
24	112293200/0	2	Nut	Dado	Ecrou	Mutter	
25	112793301/0	2	Screw	Vite	Vis	Schraube	
26	112155000/0	2	Nut	Dado	Ecrou	Mutter	
27	118203854/0	2	Protection	Cappuccio	Capuchon	Stecker	

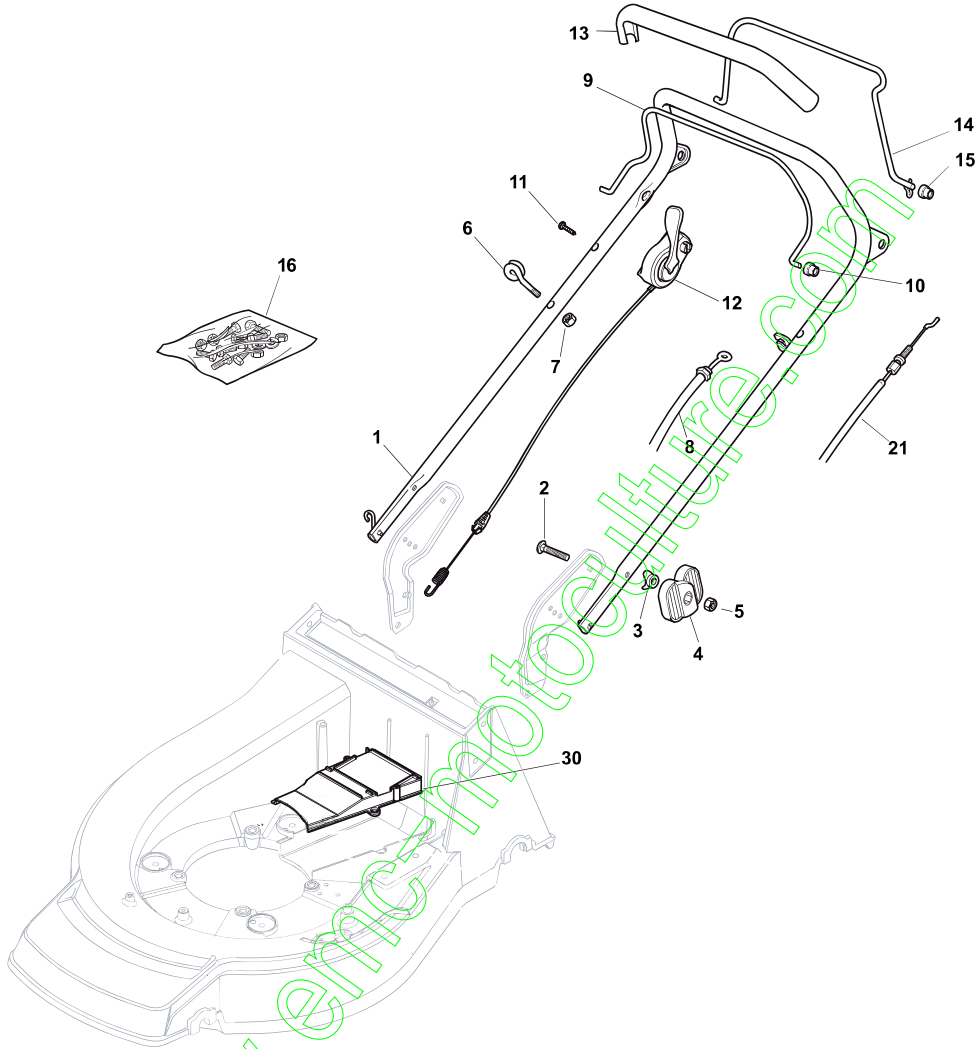


POS	PART. NO	Q.ty	DESCRIPTION	DESCRIZIONE	DESCRIPTION	BESCHREIBUNG	REMARKS
1	322109530/0	1	Cover	Capottina	Capot	Haube	
5	118120052/0	1	Battery	Batteria	Batterie	Batterie	
6	118204120/0	1	Battery Charger	Carica Batteria	Chargeur De Batterie	Ladgerät	(CE)
6	118204121/0	1	Battery Charger	Carica Batteria	Chargeur De Batterie	Ladgerät	(UK)
7	118204198/0	1	Cable, Start	Cavo Avviamento	Cable Démarrage	Kabel, Start	Honda
7	118204192/3	1	Cable, Start	Cavo Avviamento	Cable Démarrage	Kabel, Start	B&S-GGP
8	322722801/0	1	R Protection	Protezione Dx	Protection D	Rechte Schutz	
9	322722808/0	1	L Protection	Protezione Sx	Protection G	Linke Schutz	
10	112728702/0	2	Screw	Vite	Vis	Schraube	
12	118450050/0	1	Switch	Interruttore	Interrupteur	Schalter	
13	118210016/1	1	Starting Key	Chiave Avviamento	Clef A Demarrage	Schlüssel Für Start	

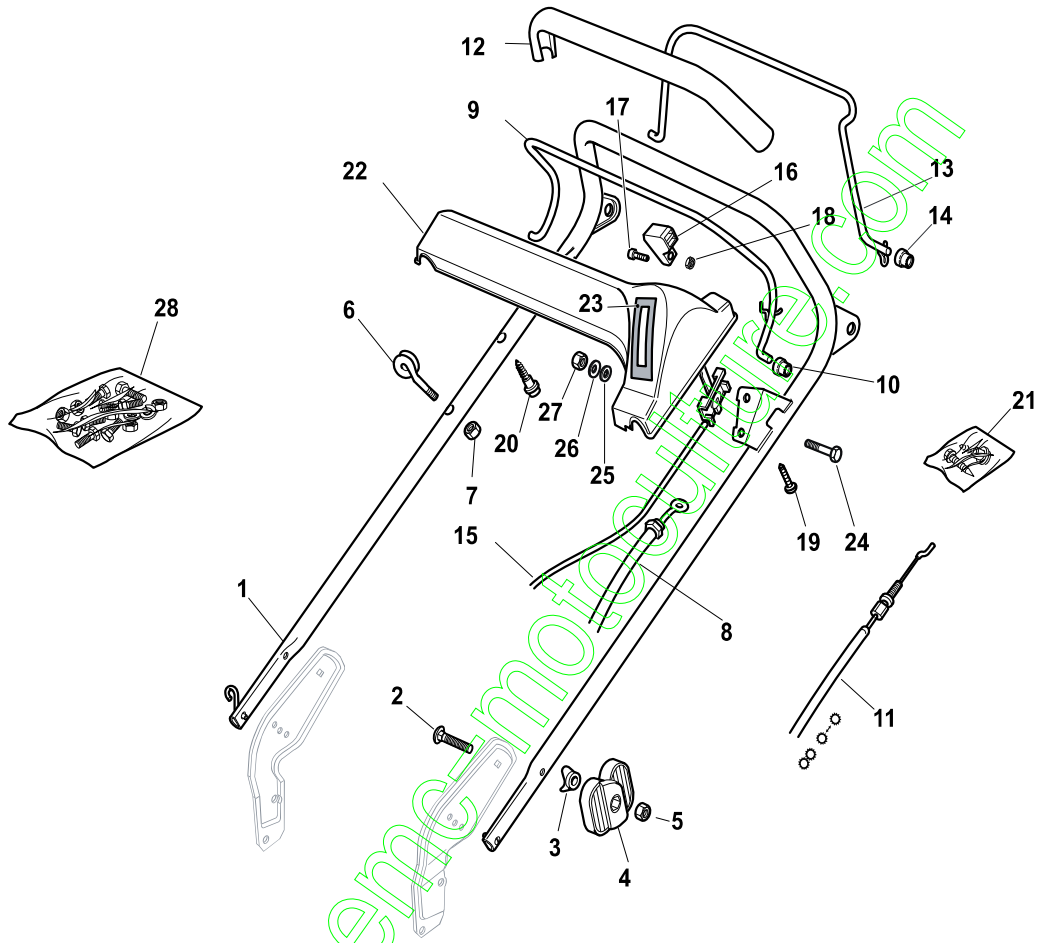
www.emc-motoculture.com



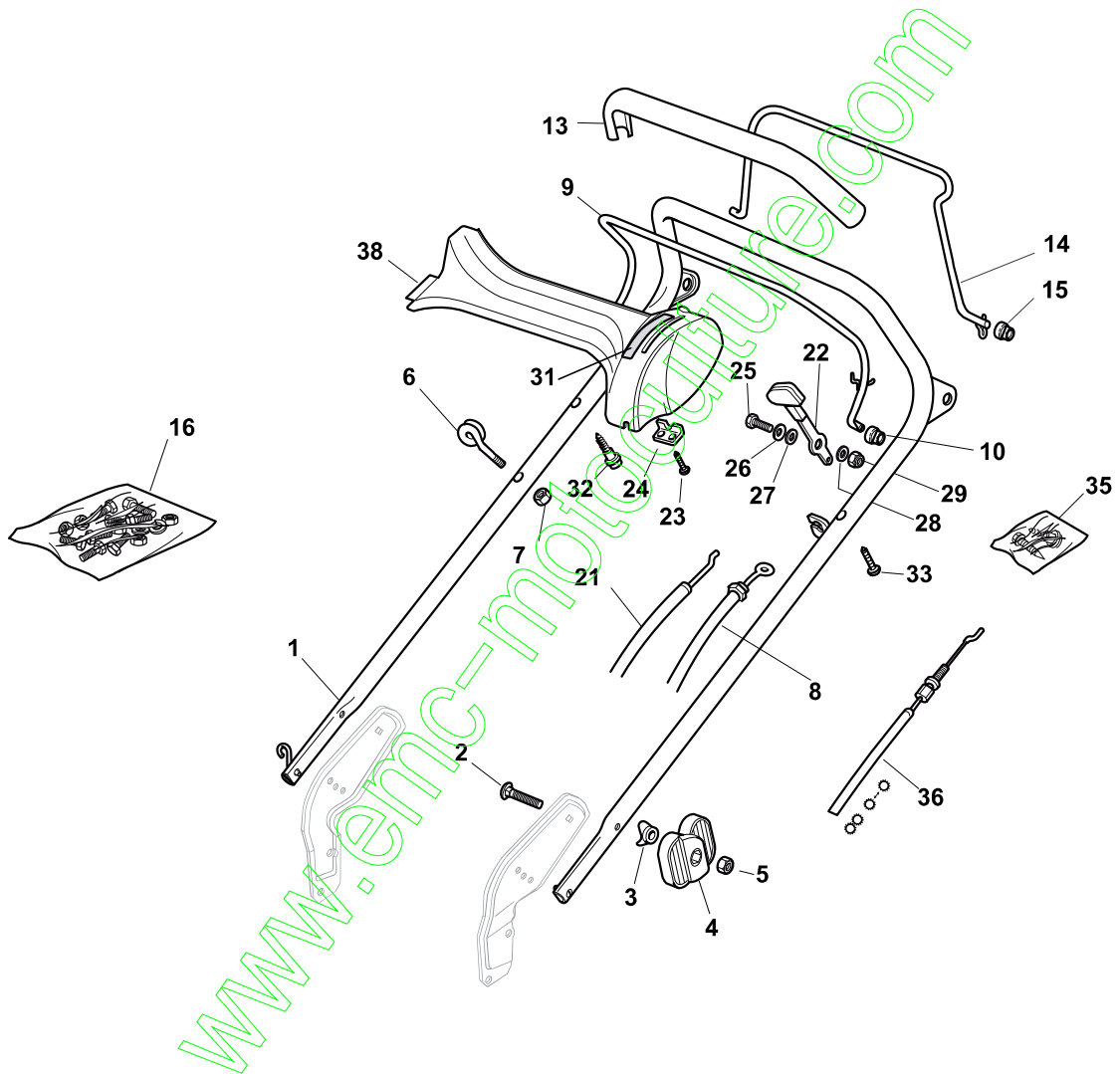
POS	PART. NO	Q.ty	DESCRIPTION	DESCRIZIONE	DESCRIPTION	BESCHREIBUNG	REMARKS
1	381006861/0	1	Handle, Upper Part	Manico, Parte Sup	Mancheron, Partie Superieure	Holm, Oberteil	
2	112819120/0	2	Screw	Vite	Vis	Schraube	
3	122671651/0	2	Washer	Rosetta	Rondelle	Scheibe	
4	322399804/1	2	Knob	Manopolina	Poignée	Griff	
5	112293200/0	2	Nut	Dado	Ecrou	Mutter	
6	122430309/0	1	Spring	Molla	Ressort	Feder	
7	112154330/0	1	Nut	Dado	Ecrou	Mutter	
8	181030006/0	1	Cable, Thread Engine Brake	Cavo Freno Motore	Cable Frein Moteur	Kabel, Motorbremse	B&S 750
8	181000616/1	1	Cable, Thread Engine Brake	Cavo Freno Motore	Cable Frein Moteur	Kabel, Motorbremse	Honda
8	181000616/1	1	Cable, Thread Engine Brake	Cavo Freno Motore	Cable Frein Moteur	Kabel, Motorbremse	GGP
8	181000634/0	1	Cable, Thread Engine Brake	Cavo Freno Motore	Cable Frein Moteur	Kabel, Motorbremse	B&S 550-500
8	181000757/0	1	Cable, Thread Engine Brake	Cavo Freno Motore	Cable Frein Moteur	Kabel, Motorbremse	B&S 625-675
9	181003291/3	1	Lever, Engine Brake	Leva Freno Motore	Levier Frein Moteur	Hebel, Motorbremse	
10	122041966/0	2	Bush	Bussola	Douille	Büchse	
12	122291050/0	1	Handgrip Black	Impugnatura Manico Nera	Poignée Noir	Handgriff Schwarz	
14	181003288/1	1	Lever, Driving	Leva Trazione	Levier Traction	Antriebhebel	
15	322041965/1	2	Bush	Bussola	Douille	Büchse	
16	381008610/1	1	Outfit, Screws	Dotazione Viteria	Dotation Visserie	Satz, Schrauben	
35	381008609/0	1	Outfit, Screws	Dotazione Viteria	Dotation Visserie	Satz, Schrauben	
36	381000669/0	1	Cable, Rear Drive	Cavo Comando Trazione	Cable, Comm. Traction	Kabel, Antrieb	(GT)
36	381000673/0	1	Cable, Rear Drive	Cavo Comando Trazione	Cable, Comm. Traction	Kabel, Antrieb	(Bi. Ci. Di.)



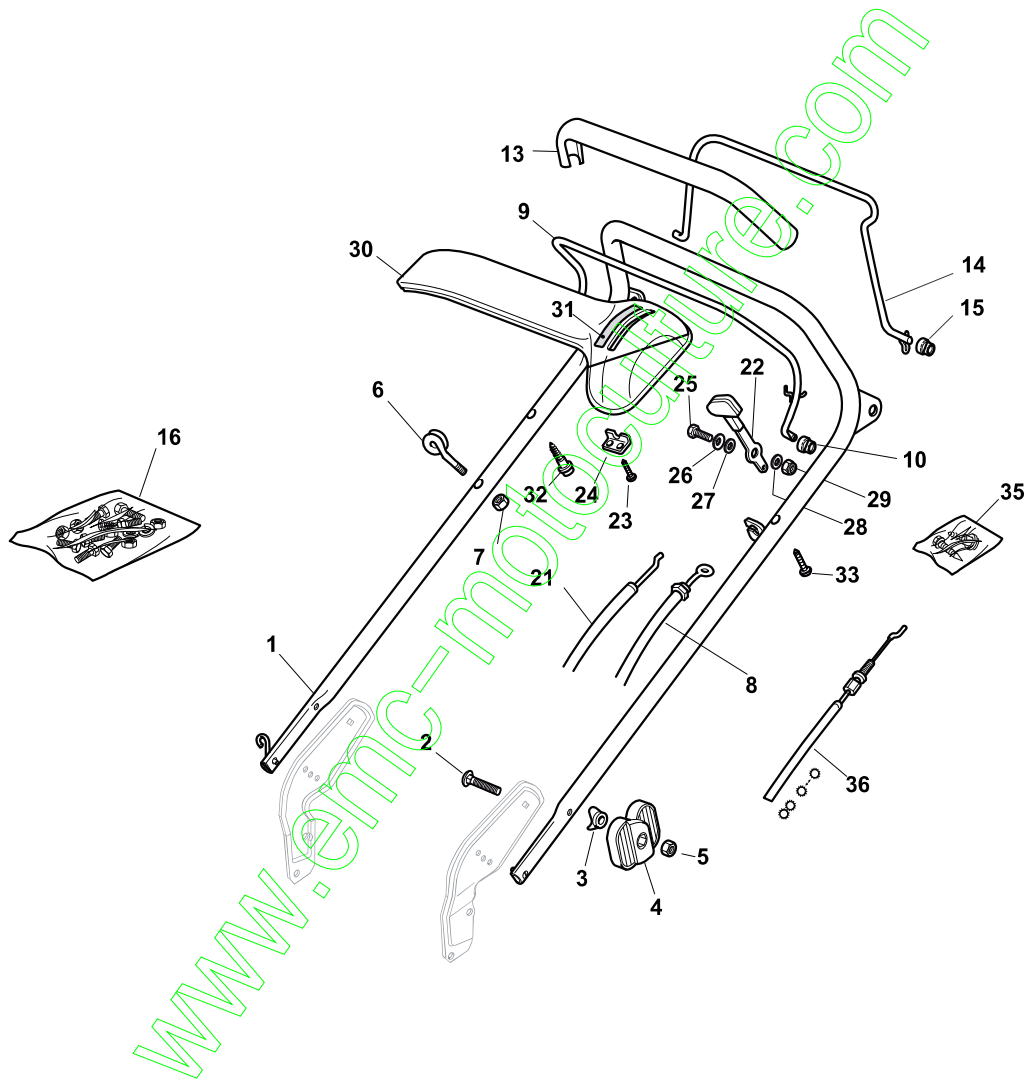
POS	PART. NO	Q.ty	DESCRIPTION	DESCRIZIONE	DESCRIPTION	BESCHREIBUNG	REMARKS
1	381006875/0	1	Handle, Upper Part, Grey	Manico, Parte Sup. Grigio	Mancheron, Partie Superieure, Gris	Holm, Oberteil, Grau	Grey
1	381006869/1	1	Handle, Upper Part, Black	Manico, Parte Sup, Nero	Mancheron, Partie Superieure, Noir	Holm, Oberteil, Schwarz	Black
2	112819120/0	2	Screw	Vite	Vis	Schraube	
3	122671651/0	2	Washer	Rosetta	Rondelle	Scheibe	
4	322399804/1	2	Knob	Manopolina	Poignée	Griff	
5	112293200/0	2	Nut	Dado	Ecrou	Mutter	
6	122430309/0	1	Spring	Molla	Ressort	Feder	
7	112154330/0	1	Nut	Dado	Ecrou	Mutter	
8	181000616/1	1	Cable, Thread Engine Brake	Cavo Freno Motore	Cable Frein Moteur	Kabel, Motorbremse	Honda
8	181000616/1	1	Cable, Thread Engine Brake	Cavo Freno Motore	Cable Frein Moteur	Kabel, Motorbremse	GGP
8	181000634/0	1	Cable, Thread Engine Brake	Cavo Freno Motore	Cable Frein Moteur	Kabel, Motorbremse	B&S675Es
8	181000757/0	1	Cable, Thread Engine Brake	Cavo Freno Motore	Cable Frein Moteur	Kabel, Motorbremse	B&S675-625
8	181030006/0	1	Cable, Thread Engine Brake	Cavo Freno Motore	Cable Frein Moteur	Kabel, Motorbremse	B&S750-700
9	181003332/1	1	Lever, Engine Brake	Leva Freno Motore	Levier Frein Moteur	Hebel, Motorbremse	
10	122041966/0	2	Bush	Bussola	Douille	Büchse	
11	112727784/0	1	Screw	Vite	Vis	Schraube	
12	381030033/0	1	Cable, Mechanical Clutch	Cavo Comando Frizione Meccanica	Câble, Commande Embrayage Mecanique	Kabel, Mechanische Kupplung	
13	122291050/0	1	Handgrip Black	Impugnatura Manico Nera	Poignée Noir	Handgriff Schwarz	
14	181003288/1	1	Lever, Driving	Leva Trazione	Levier Traction	Antriebhebel	
15	322041965/1	2	Bush	Bussola	Douille	Büchse	
16	381008610/1	1	Outfit, Screws	Dotazione Viteria	Dotation Visserie	Satz, Schrauben	
21	381000669/0	1	Cable, Rear Drive	Cavo Comando Trazione	Câble, Comm. Traction	Kabel, Antrieb	(GT)
21	381000673/0	1	Cable, Rear Drive	Cavo Comando Trazione	Câble, Comm. Traction	Kabel, Antrieb	(Bi.Ci.Di.)
30	322060228/0	1	Protection, Belt	Carter Cinghia	Protection Courroire	Schutz, Riemen	



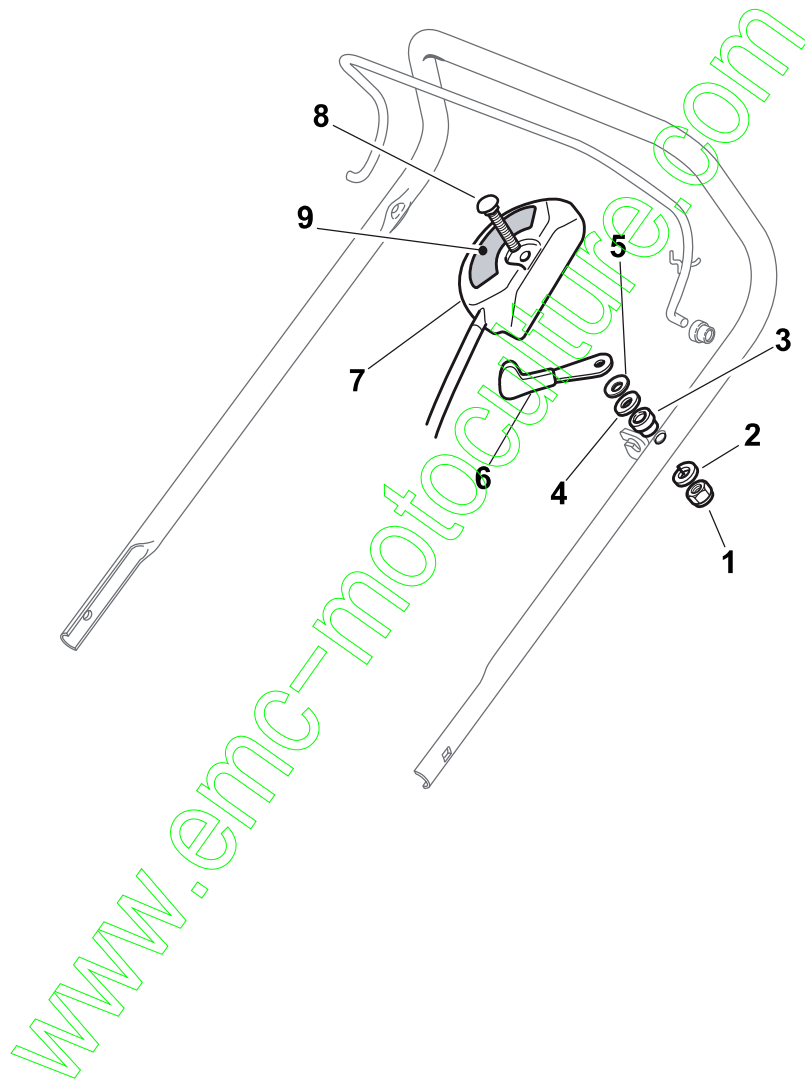
POS	PART. NO	Q.ty	DESCRIPTION	DESCRIZIONE	DESCRIPTION	BESCHREIBUNG	REMARKS
1	381007028/1	1	Handle, Upper Part	Manico, Parte Sup	Mancheron, Partie Superieure	Holm, Oberteil	
2	112819120/0	2	Screw	Vite	Vis	Schraube	
3	122671651/0	2	Washer	Rosetta	Rondelle	Scheibe	
4	322399804/1	2	Knob	Manopolina	Poignée	Griff	
5	112293200/0	2	Nut	Dado	Ecrou	Mutter	
6	122430309/0	1	Spring	Molla	Ressort	Feder	
7	112154330/0	1	Nut	Dado	Ecrou	Mutter	
8	181000616/1	1	Cable, Thread Engine Brake	Cavo Freno Motore	Cable Frein Moteur	Kabel, Motorbremse	HONDA-GGP
8	181000634/0	1	Cable, Thread Engine Brake	Cavo Freno Motore	Cable Frein Moteur	Kabel, Motorbremse	B&S675Es
8	181000757/0	1	Cable, Thread Engine Brake	Cavo Freno Motore	Cable Frein Moteur	Kabel, Motorbremse	B&S675-625
8	181030006/0	1	Cable, Thread Engine Brake	Cavo Freno Motore	Cable Frein Moteur	Kabel, Motorbremse	B&S700-750
9	181003291/3	1	Lever, Engine Brake	Leva Freno Motore	Levier Frein Moteur	Hebel, Motorbremse	
10	122041966/0	2	Bush	Bussola	Douille	Büchse	
11	381000669/0	1	Cable, Rear Drive	Cavo Comando Trazione	Câble, Comm. Traction	Kabel, Antrieb	(GT)
11	381000673/0	1	Cable, Rear Drive	Cavo Comando Trazione	Câble, Comm. Traction	Kabel, Antrieb	(Bi. Ci. Di.)
12	122291050/0	1	Handgrip Black	Impugnatura Manico Nera	Poignée Noir	Handgriff Schwarz	
13	181003288/1	1	Lever, Driving	Leva Trazione	Levier Traction	Antriebhebel	
14	322041965/1	2	Bush	Bussola	Douille	Büchse	
15	181007091/0	1	Throttle Cable	Cavo Acceleratore	Cable, Accelérateur	Gashebel Kabel	B&S
15	181007092/0	1	Throttle Cable	Cavo Acceleratore	Cable, Accelérateur	Gashebel Kabel	Honda
16	122399801/0	1	Knob	Manopolina	Poignée	Griff	
17	112726388/0	1	Screw	Vite	Vis	Schraube	
18	112290800/0	1	Nut	Dado	Ecrou	Mutter	
19	112728460/0	1	Screw	Vite	Vis	Schraube	
20	122943006/0	1	Screw	Vite	Vis	Schraube	
21	381008499/1	1	Outfit, Screws	Dotazione Viteria	Dotation Visserie	Satz, Schrauben	
22	422120148/0	1	Dash Board Yellow	Cruscotto Giallo	Console Jaune	Konsole Gelbe	
22	422120150/0	1	Dash Board Red	Cruscotto Rosso	Console Rouge	Konsole Rote	
22	422120164/0	1	Dash Board Black	Cruscotto Nero	Console Noire	Konsole Schwarze	
23	114356692/0	1	Label	Etichetta	Etiquette	Etikette	Honda
23	114356693/0	1	Label	Etichetta	Etiquette	Etikette	B&S
23	114357387/0	1	Label	Etichetta	Etiquette	Etikette	TECUMSEH
23	114361477/0	1	Label	Etichetta	Etiquette	Etikette	GGP
24	112788910/0	2	Screw	Vite	Vis	Schraube	
25	112523020/0	2	Washer	Rosetta	Rondelle	Scheibe	
26	112581500/0	2	Grower	Grower	Grower	Federring	
27	112291000/0	2	Nut	Dado	Ecrou	Mutter	
28	381008610/1	1	Outfit, Screws	Dotazione Viteria	Dotation Visserie	Satz, Schrauben	



POS	PART. NO	Q.ty	DESCRIPTION	DESCRIZIONE	DESCRIPTION	BESCHREIBUNG	REMARKS
1	381006861/0	1	Handle, Upper Part	Manico, Parte Sup	Mancheron, Partie Superieure	Holm, Oberteil	
2	112819120/0	2	Screw	Vite	Vis	Schraube	
3	122671651/0	2	Washer	Rosetta	Rondelle	Scheibe	
4	322399804/1	2	Knob	Manopolina	Poignée	Griff	
5	112293200/0	2	Nut	Dado	Ecrou	Mutter	
6	122430309/0	1	Spring	Molla	Ressort	Feder	
7	112154330/0	1	Nut	Dado	Ecrou	Mutter	
8	181030006/0	1	Cable, Thread Engine Brake	Cavo Freno Motore	Cable Frein Moteur	Kabel, Motorbremse	B&S750
8	181000616/1	1	Cable, Thread Engine Brake	Cavo Freno Motore	Cable Frein Moteur	Kabel, Motorbremse	Honda
8	181000616/1	1	Cable, Thread Engine Brake	Cavo Freno Motore	Cable Frein Moteur	Kabel, Motorbremse	GGP
8	181000634/0	1	Cable, Thread Engine Brake	Cavo Freno Motore	Cable Frein Moteur	Kabel, Motorbremse	B&S550-500
8	181000757/0	1	Cable, Thread Engine Brake	Cavo Freno Motore	Cable Frein Moteur	Kabel, Motorbremse	B&S625-675
9	181003291/3	1	Lever, Engine Brake	Leva Freno Motore	Levier Frein Moteur	Hebel, Motorbremse	
10	122041966/0	2	Bush	Bussola	Douille	Büchse	
13	122291050/0	1	Handgrip Black	Impugnatura Manico Nera	Poignée Noir	Handgriff Schwarz	
14	181003288/1	1	Lever, Driving	Leva Trazione	Levier Traction	Antriebhebel	
15	322041965/1	2	Bush	Bussola	Douille	Büchse	
16	381008610/1	1	Outfit, Screws	Dotazione Viteria	Dotation Visserie	Satz, Schrauben	
21	481007160/0	1	Throttle Cable	Cavo Acceleratore	Cable, Accelérateur	Gashebel Kabel	
22	381007221/0	1	Lever, Throttle	Leva, Acceleratore	Levier, Accelérateur	Hebel, Beshleuniger	B&S 450-500/ GGP150
22	381007280/2	1	Lever, Throttle	Leva, Acceleratore	Levier, Accelérateur	Hebel, Beshleuniger	Honda-GGP- B&S
23	112735105/0	2	Screw	Vite	Vis	Schraube	
24	322981467/0	1	Plate	Piastrina	Plaquette	Plättchen	
25	112791500/0	1	Screw	Vite	Vis	Schraube	
26	112530060/0	1	Elastic Washer	Disco Elastico	Disque Elastique	Federscheibe	
27	112523040/0	1	Washer	Rosetta	Rondelle	Scheibe	
28	112523040/0	1	Washer	Rosetta	Rondelle	Scheibe	
29	112154510/0	1	Nut	Dado	Ecrou	Mutter	
31	114356743/1	1	Label	Etichetta	Etiquette	Etikette	B&S 700
31	114356743/1	1	Label	Etichetta	Etiquette	Etikette	Honda-GGP
31	114356744/1	1	Label	Etichetta	Etiquette	Etikette	B&S675-625
31	114356905/0	1	Label	Etichetta	Etiquette	Etikette	B&S550-500
31	114356906/1	1	Label	Etichetta	Etiquette	Etikette	B&S675Es
31	114357646/1	1	Label	Etichetta	Etiquette	Etikette	Honda Autochoke
32	122943006/0	1	Screw	Vite	Vis	Schraube	
33	112728460/0	1	Screw	Vite	Vis	Schraube	
35	381008609/0	1	Outfit, Screws	Dotazione Viteria	Dotation Visserie	Satz, Schrauben	
36	381000669/0	1	Cable, Rear Drive	Cavo Comando Trazione	Câble, Comm. Traction	Kabel, Antrieb	(GT)
36	381000673/0	1	Cable, Rear Drive	Cavo Comando Trazione	Câble, Comm. Traction	Kabel, Antrieb	(Bi.Ci.Di.)
38	422120172/0	1	Dash Board Black	Cruscotto Nero	Console Noire	Konsole Schwarze	
38	422120173/0	1	Dash Board Red	Cruscotto Rosso	Console Rouge	Konsole Rote	
38	422120174/0	1	Dash Board Yellow	Cruscotto Giallo	Console Jaune	Konsole Gelbe	

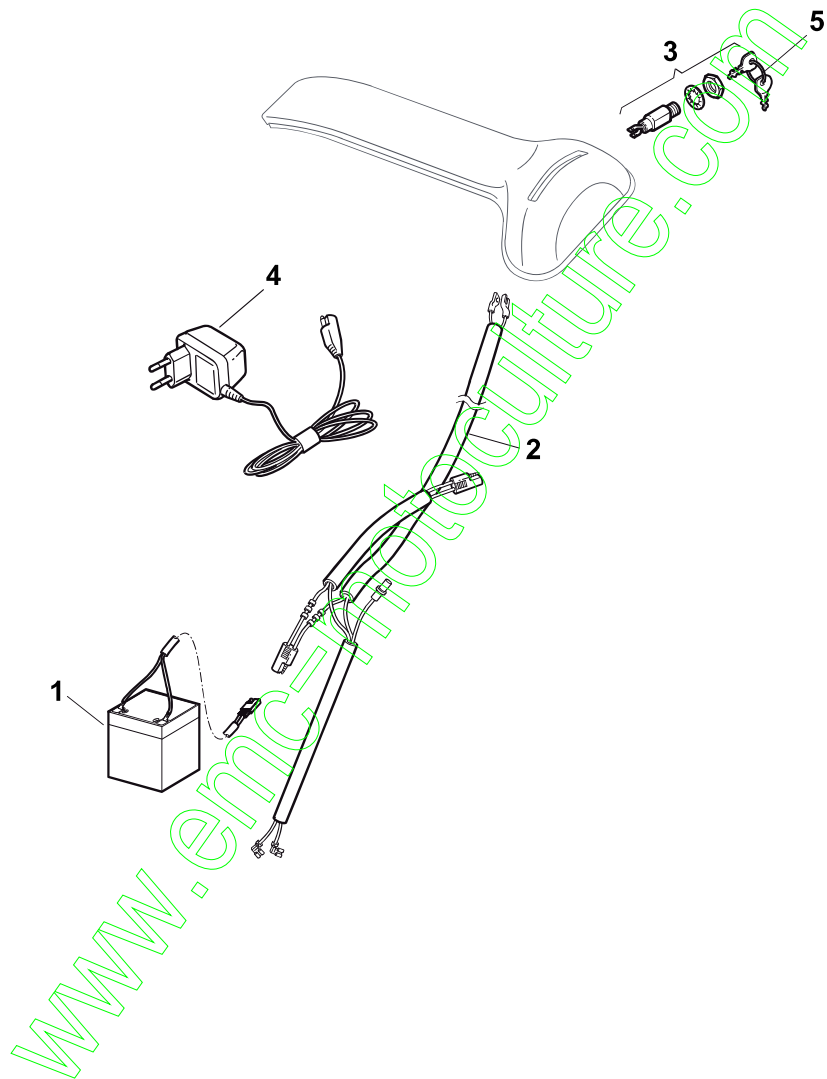


POS	PART. NO	Q.ty	DESCRIPTION	DESCRIZIONE	DESCRIPTION	BESCHREIBUNG	REMARKS
1	381006861/0	1	Handle, Upper Part	Manico, Parte Sup	Mancheron, Partie Superieure	Holm, Oberteil	
2	112819120/0	2	Screw	Vite	Vis	Schraube	
3	122671651/0	2	Washer	Rosetta	Rondelle	Scheibe	
4	322399804/1	2	Knob	Manopolina	Poignée	Griff	
5	112293200/0	2	Nut	Dado	Ecrou	Mutter	
6	122430309/0	1	Spring	Molla	Ressort	Feder	
7	112154330/0	1	Nut	Dado	Ecrou	Mutter	
8	181030006/0	1	Cable, Thread Engine Brake	Cavo Freno Motore	Cable Frein Moteur	Kabel, Motorbremse	B&S750
8	181000616/1	1	Cable, Thread Engine Brake	Cavo Freno Motore	Cable Frein Moteur	Kabel, Motorbremse	Honda
8	181000616/1	1	Cable, Thread Engine Brake	Cavo Freno Motore	Cable Frein Moteur	Kabel, Motorbremse	GGP
8	181000634/0	1	Cable, Thread Engine Brake	Cavo Freno Motore	Cable Frein Moteur	Kabel, Motorbremse	B&S550-500
8	181000757/0	1	Cable, Thread Engine Brake	Cavo Freno Motore	Cable Frein Moteur	Kabel, Motorbremse	B&S625-675
9	181003291/3	1	Lever, Engine Brake	Leva Freno Motore	Levier Frein Moteur	Hebel, Motorbremse	
10	122041966/0	2	Bush	Bussola	Douille	Büchse	
13	122291050/0	1	Handgrip Black	Impugnatura Manico Nera	Poignée Noir	Handgriff Schwarz	
14	181003288/1	1	Lever, Driving	Leva Trazione	Levier Traction	Antriebhebel	
15	322041965/1	2	Bush	Bussola	Douille	Büchse	
16	381008610/1	1	Outfit, Screws	Dotazione Viteria	Dotation Visserie	Satz, Schrauben	
21	481007160/0	1	Throttle Cable	Cavo Acceleratore	Cable, Accelérateur	Gashebel Kabel	
22	381007221/0	1	Lever, Throttle	Leva, Acceleratore	Levier, Accelérateur	Hebel, Beshleuniger	B&S 450-500/ GGP150
22	381007280/2	1	Lever, Throttle	Leva, Acceleratore	Levier, Accelérateur	Hebel, Beshleuniger	Honda-GGP- B&S
23	112735105/0	2	Screw	Vite	Vis	Schraube	
24	322981467/0	1	Plate	Piastrina	Plaquette	Plättchen	
25	112791500/0	1	Screw	Vite	Vis	Schraube	
26	112530060/0	1	Elastic Washer	Disco Elastico	Disque Elastique	Federscheibe	
27	112523040/0	1	Washer	Rosetta	Rondelle	Scheibe	
28	112523040/0	1	Washer	Rosetta	Rondelle	Scheibe	
29	112154510/0	1	Nut	Dado	Ecrou	Mutter	
30	422120152/0	1	Dash Board Yellow	Cruscotto Giallo	Console Jaune	Konsole Gelbe	
30	422120154/0	1	Dash Board Red	Cruscotto Rosso	Console Rouge	Konsole Rote	
30	422120158/0	1	Dash Board Black	Cruscotto Nero	Console Noire	Konsole Schwarze	
31	114356743/1	1	Label	Etichetta	Etiquette	Etikette	B&S 700
31	114356743/1	1	Label	Etichetta	Etiquette	Etikette	Honda-GGP
31	114356744/1	1	Label	Etichetta	Etiquette	Etikette	B&S675-625
31	114356905/0	1	Label	Etichetta	Etiquette	Etikette	B&S550-500
31	114356906/1	1	Label	Etichetta	Etiquette	Etikette	B&S675Es
31	114357646/1	1	Label	Etichetta	Etiquette	Etikette	Honda Autochoke
32	122943006/0	1	Screw	Vite	Vis	Schraube	
33	112728460/0	1	Screw	Vite	Vis	Schraube	
35	381008609/0	1	Outfit, Screws	Dotazione Viteria	Dotation Visserie	Satz, Schrauben	
36	381000669/0	1	Cable, Rear Drive	Cavo Comando Trazione	Câble, Comm. Traction	Kabel, Antrieb	(GT)
36	381000673/0	1	Cable, Rear Drive	Cavo Comando Trazione	Câble, Comm. Traction	Kabel, Antrieb	(Bi.Ci.Di.)



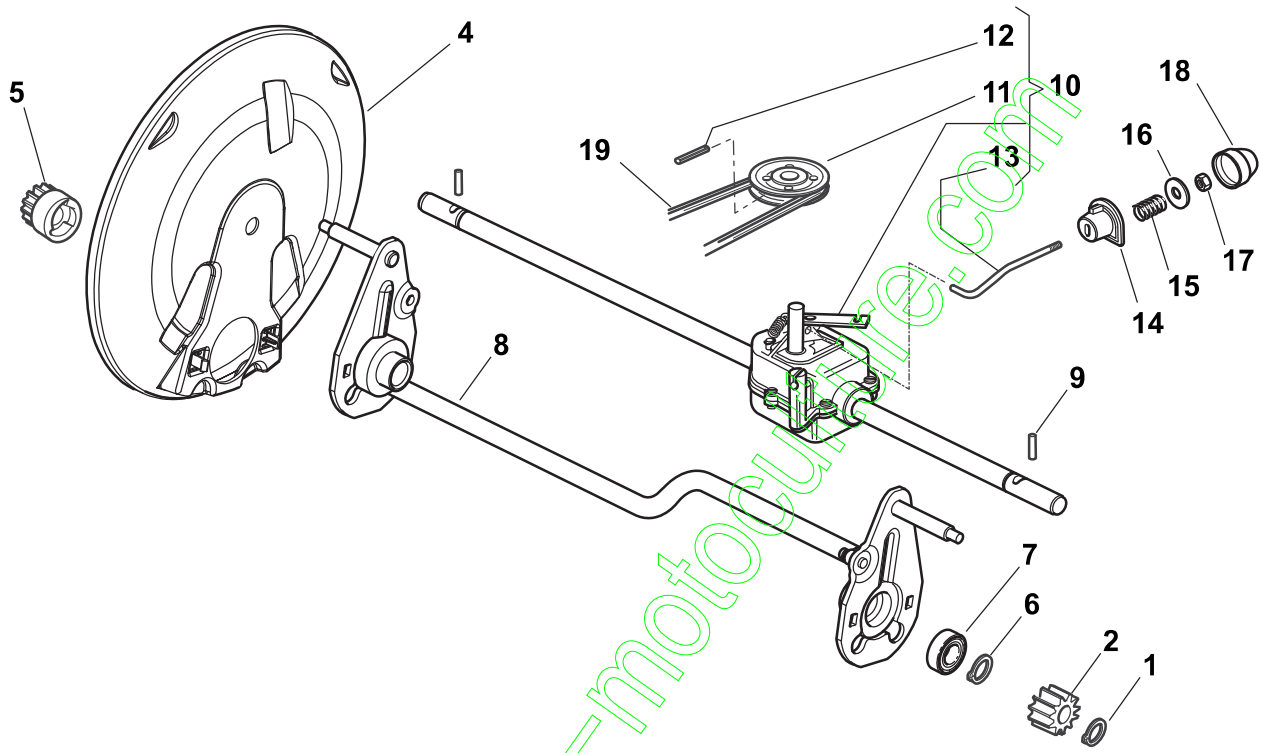
POS	PART. NO	Q.ty	DESCRIPTION	DESCRIZIONE	DESCRIPTION	BESCHREIBUNG	REMARKS
1	112291000/0	1	Nut	Dado	Ecrou	Mutter	
2	112581500/0	1	Grower	Grower	Grower	Federring	
3	122171005/0	1	Spacer	Distanziale	Entretoise	Distanzring	
4	112521360/0	1	Washer	Rosetta	Rondelle	Scheibe	
5	112508100/0	1	Spring Washer	Rosetta Elastica	Rondelle Elastique	Elastische Scheibe	
6	381007220/0	1	Lever, Throttle	Leva, Acceleratore	Levier, Accelérateur	Hebel, Beshleuniger	B&S 450-500 / GGP150cc
6	381007279/1	1	Lever, Throttle	Leva, Acceleratore	Levier, Accelérateur	Hebel, Beshleuniger	Honda-B&s- GGP
7	481007080/0	1	Throttle Cable	Cavo Acceleratore	Cable, Accelérateur	Gashebel Kabel	
8	112815000/0	1	Screw	Vite	Vis	Schraube	
9	114356702/0	1	Label	Etichetta	Etiquette	Etikette	GGP
9	114356702/0	1	Label	Etichetta	Etiquette	Etikette	Honda
9	114356703/0	1	Label	Etichetta	Etiquette	Etikette	B&S
9	114356905/0	1	Label	Etichetta	Etiquette	Etikette	DOV
9	114356905/0	1	Label	Etichetta	Etiquette	Etikette	Autochoke
9	114364264/0	1	Label	Etichetta	Etiquette	Etikette	AVS

www.emc-motoculture.com



POS	PART. NO	Q.ty	DESCRIPTION	DESCRIZIONE	DESCRIPTION	BESCHREIBUNG	REMARKS
1	118120052/0	1	Battery	Batteria	Batterie	Batterie	
2	118204192/3	1	Cable, Start	Cavo Avviamento	Cable Démarrage	Kabel, Start	B&S-GGP
2	118204198/0	1	Cable, Start	Cavo Avviamento	Cable Démarrage	Kabel, Start	Honda
3	118450050/0	1	Switch	Interruttore	Interrupteur	Schalter	
4	118204120/0	1	Battery Charger	Carica Batteria	Chargeur De Batterie	Ladgerät	(CE)
4	118204121/0	1	Battery Charger	Carica Batteria	Chargeur De Batterie	Ladgerät	(UK)
5	118210016/1	1	Starting Key	Chiave Avviamento	Clef A Demarrage	Schlüssel Für Start	

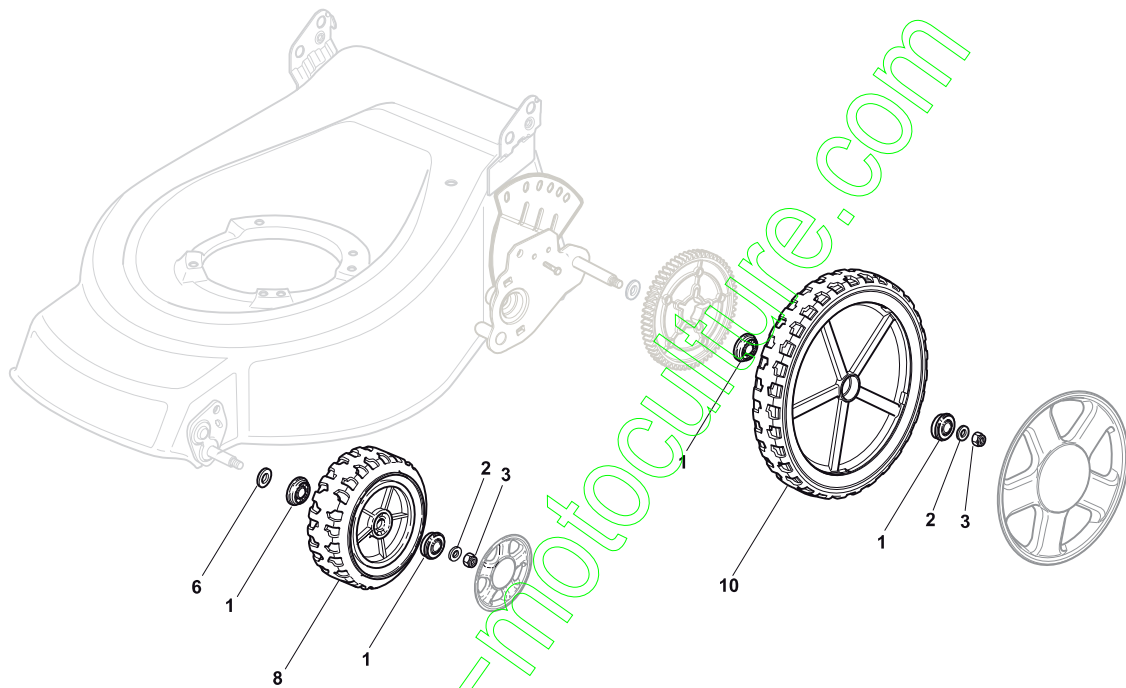
www.emc-motoculture.com



www.emc-motoculture.com

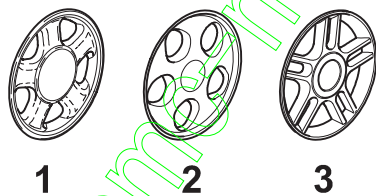
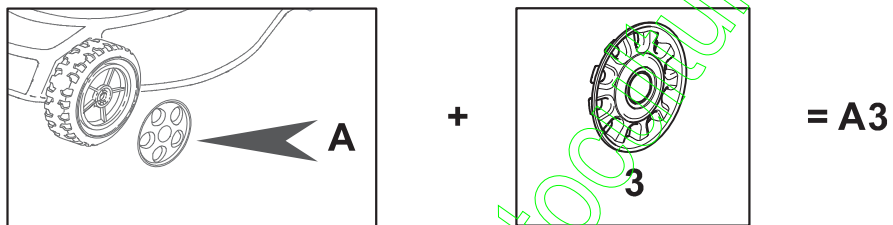
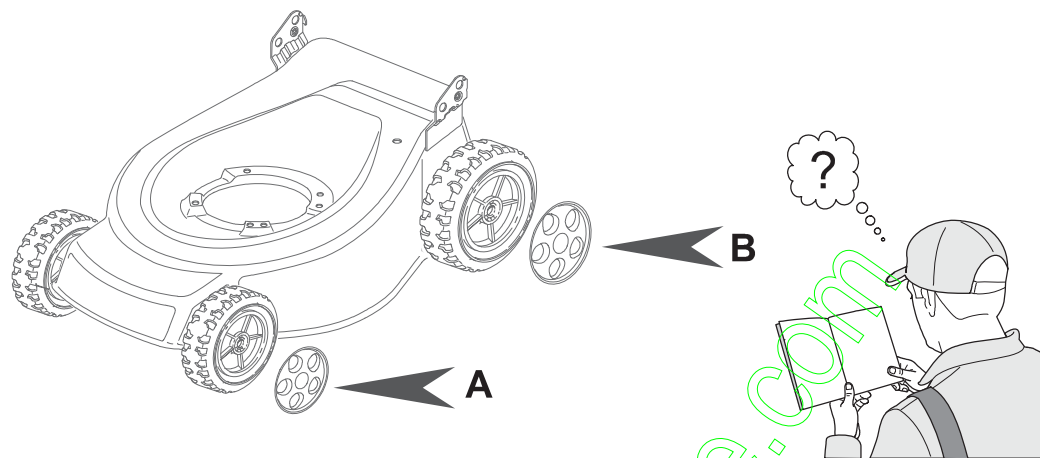
POS	PART. NO	Q.ty	DESCRIPTION	DESCRIZIONE	DESCRIPTION	BESCHREIBUNG	REMARKS
1	112608600/0	2	Seeger	Seeger	Seeger	Seeger	
2	122570120/1	1	Pinion L	Pignone Sx	Pignon G	Ritzel Linkes	
4	322600160/0	2	Protection, Wheel	Protezione Ruote	Protection Roue	Schütz, Räder	
5	122570110/1	1	Pinion R	Pignone Dx	Pignon D	Ritzel Rechtes	
6	112608600/0	2	Seeger	Seeger	Seeger	Seeger	
7	119216035/0	2	Bearing	Cuscinetto	Coussinet	Lager	
8	381002863/0	1	Axle, Rear Wheels	Asse Ruote Posteriore	Axe Roues Arriere	Achse, Hinterrad	
9	122753000/0	2	Pin	Perno	Pivot	Bolzen	
10	181003079/1	1	Gear Box	Gruppo Trazione	Groupe Traction	Antrieb	
11	122601909/0	1	Pulley	Puleggia	Poulie	Riemenscheibe	
12	112645705/0	1	Pin	Perno	Pivot	Bolzen	
13	122033281/0	1	Adjustment Rod	Asta Regolazione	Tige Reglage	Verstellungstange	
14	122041957/1	1	Bush	Bussola	Douille	Büchse	
15	122450063/0	1	Spring	Molla	Ressort	Feder	
16	322680009/0	1	Washer	Rosetta	Rondelle	Scheibe	
17	112154510/0	1	Nut	Dado	Ecrou	Mutter	
18	122110230/0	1	Cap	Puntale	Bouchon	Gummistopfen	
19	135064195/0	1	Belt	Cinghia	Courroire	Riemen	

www.emc-motoculture.com



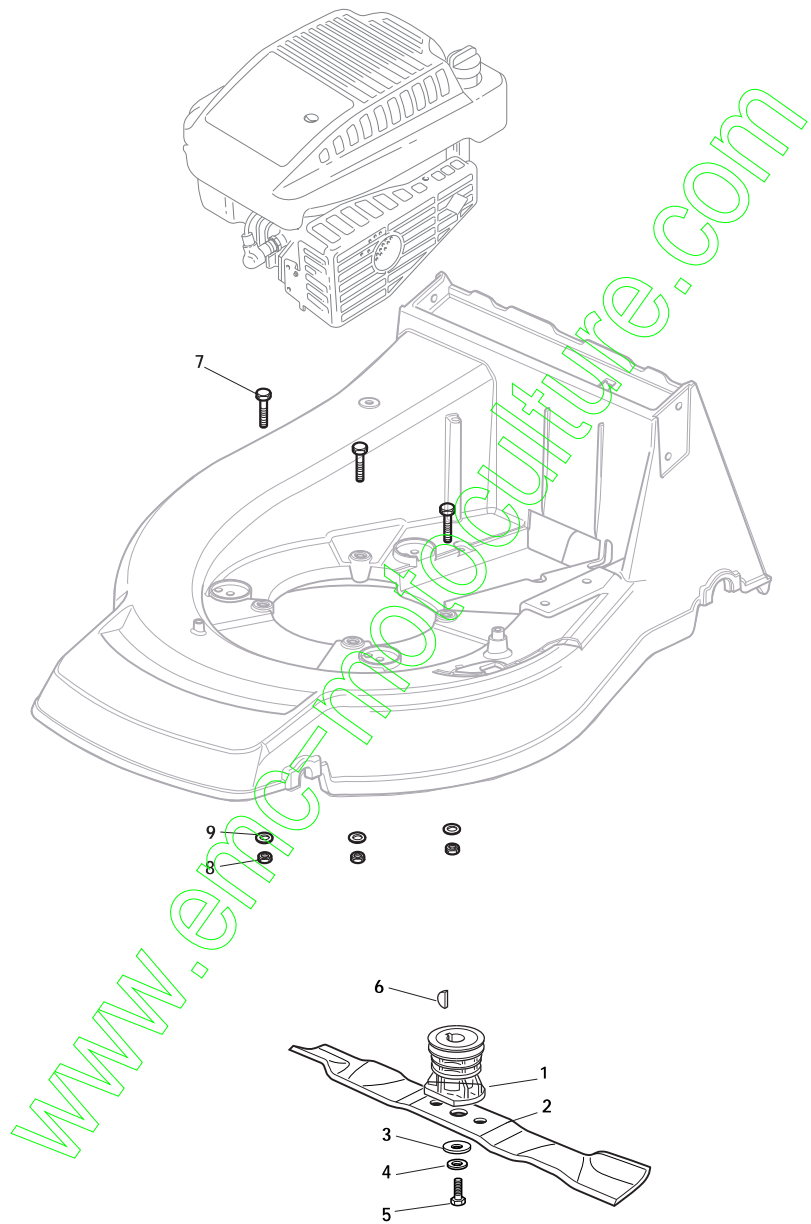
POS	PART. NO	Q.ty	DESCRIPTION	DESCRIZIONE	DESCRIPTION	BESCHREIBUNG	REMARKS
1	122122200/0	8	Bearing	Cuscinetto	Coussinet	Lager	
2	112521350/0	4	Washer	Rosetta	Rondelle	Scheibe	
3	112155000/0	2	Nut	Dado	Ecrou	Mutter	
6	112530150/0	2	Elastic Washer	Disco Elastico	Disque Elastique	Federscheibe	
8	381007390/1	2	Wheel Ø 210	Ruota Ø 210	Roue Ø 210	Rad Ø 210	
10	381007391/1	2	Wheel Ø 300	Ruota Ø 300	Roue Ø 300	Rad Ø 300	

www.emc-motoculture.com



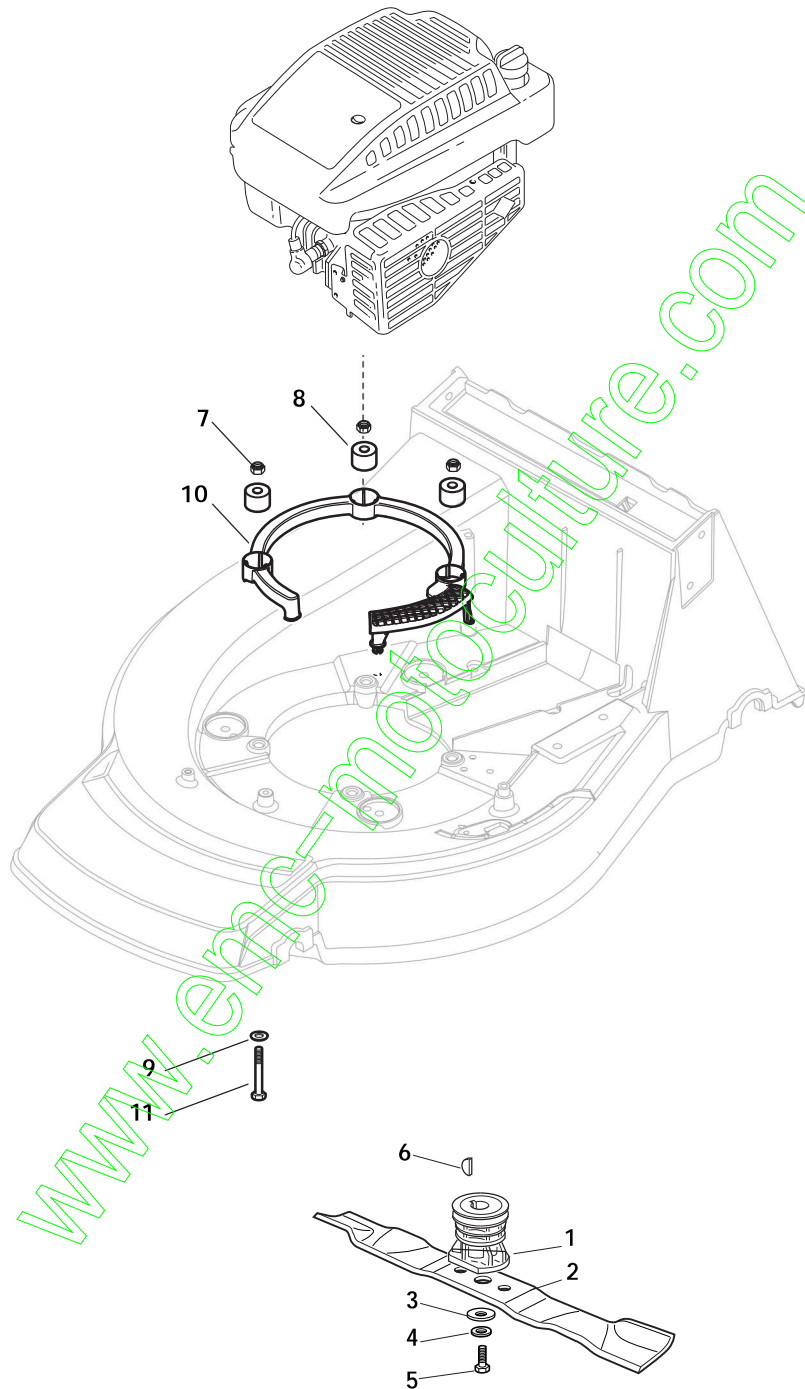
POS	PART. NO	Q.ty	DESCRIPTION	DESCRIZIONE	DESCRIPTION	BESCHREIBUNG	REMARKS
A1	322110382/0	2	Hub Cap Grey	Coprimozzo Grigio	Couvre-Moyeu Gris	Radkappe Grau	
B1	322110511/0	2	Hub Cap Grey	Coprimozzo Grigio	Couvre-Moyeu Gris	Radkappe Grau	
A2	322110417/0	2	Hub Cap Grey	Coprimozzo Grigio	Couvre-Moyeu Gris	Radkappe Grau	
B2	322110590/0	2	Hub Cap Grey	Coprimozzo Grigio	Couvre-Moyeu Gris	Radkappe Grau	
A3	322110492/0	2	Hub Cap Grey	Coprimozzo Grigio	Couvre-Moyeu Gris	Radkappe Grau	
B3	322110560/0	2	Hub Cap Grey	Coprimozzo Grigio	Couvre-Moyeu Gris	Radkappe Grau	

www.emc-motoculture.com



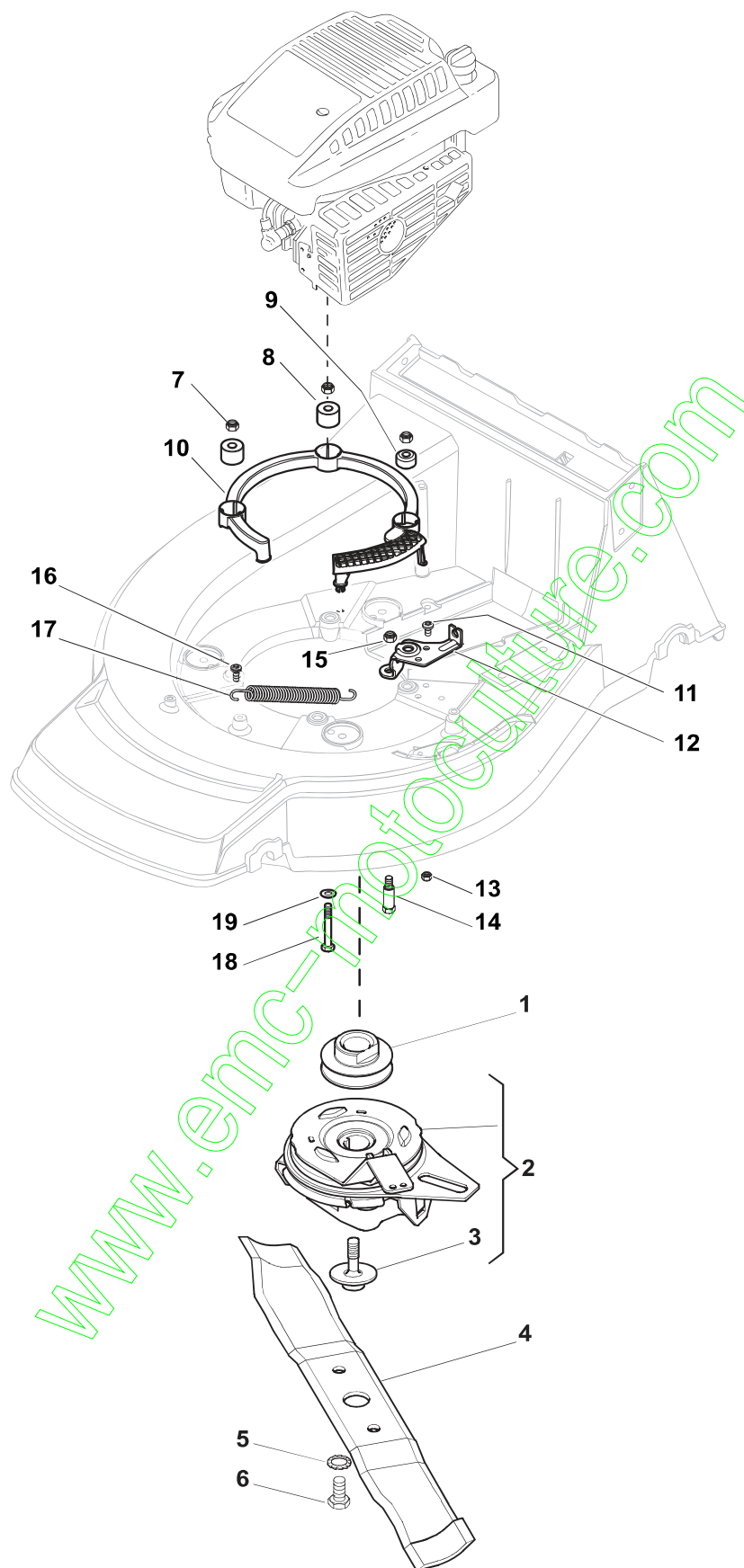
POS	PART. NO	Q.ty	DESCRIPTION	DESCRIZIONE	DESCRIPTION	BESCHREIBUNG	REMARKS
1	122465607/3	1	Hub With Pulley, Crankshaft Ø 22.2	Mozzo Con Puleggia, Albero Motore Ø 22.2	Moyeu Avec Poulie, Arbre Moteur Ø 22.2	Nabe Mit Scheibe, Motorwelle Ø 22.2	B&S-GGP
1	122465608/2	1	Hub With Pulley, Crankshaft Ø 25	Mozzo Con Puleggia, Albero Motore Ø 25	Moyeu Avec Poulie, Arbre Moteur Ø 25	Nabe Mit Scheibe, Motorwelle Ø 25	Honda
2	181004381/1	1	Blade Standard	Coltello Standard	Lame Standard	Messer Standard	
3	122160400/0	1	Elastic Washer	Disco Elastico	Disque Elastique	Federscheibe	
4	112523080/0	1	Washer	Rosetta	Rondelle	Scheibe	
5	112735698/0	1	Screw	Vite	Vis	Schraube	
6	112139100/0	1	Feather, Crankshaft Ø 22.2	Linguetta, Albero Motore Ø 22.2	Clavette, Arbre Moteur Ø 22.2	Keil, Motorwelle Ø 22.2	B&S-GGP
6	112139150/0	1	Feather, Crankshaft Ø 25	Linguetta, Albero Motore Ø 25	Clavette, Arbre Moteur Ø 25	Keil, Motorwelle Ø 25	Honda
7	112691900/0	3	Screw	Vite	Vis	Schraube	Honda-GGP
7	112691600/0	3	Screw	Vite	Vis	Schraube	GGP 196cc
7	112691800/0	2	Screw	Vite	Vis	Schraube	B&S
7	112692080/0	1	Screw	Vite	Vis	Schraube	B&S
7	112691900/0	3	Screw	Vite	Vis	Schraube	DOV
8	112155000/0	3	Nut	Dado	Ecrou	Mutter	
9	112521350/0	3	Washer	Rosetta	Rondelle	Washer	

www.emc-motoculture.com



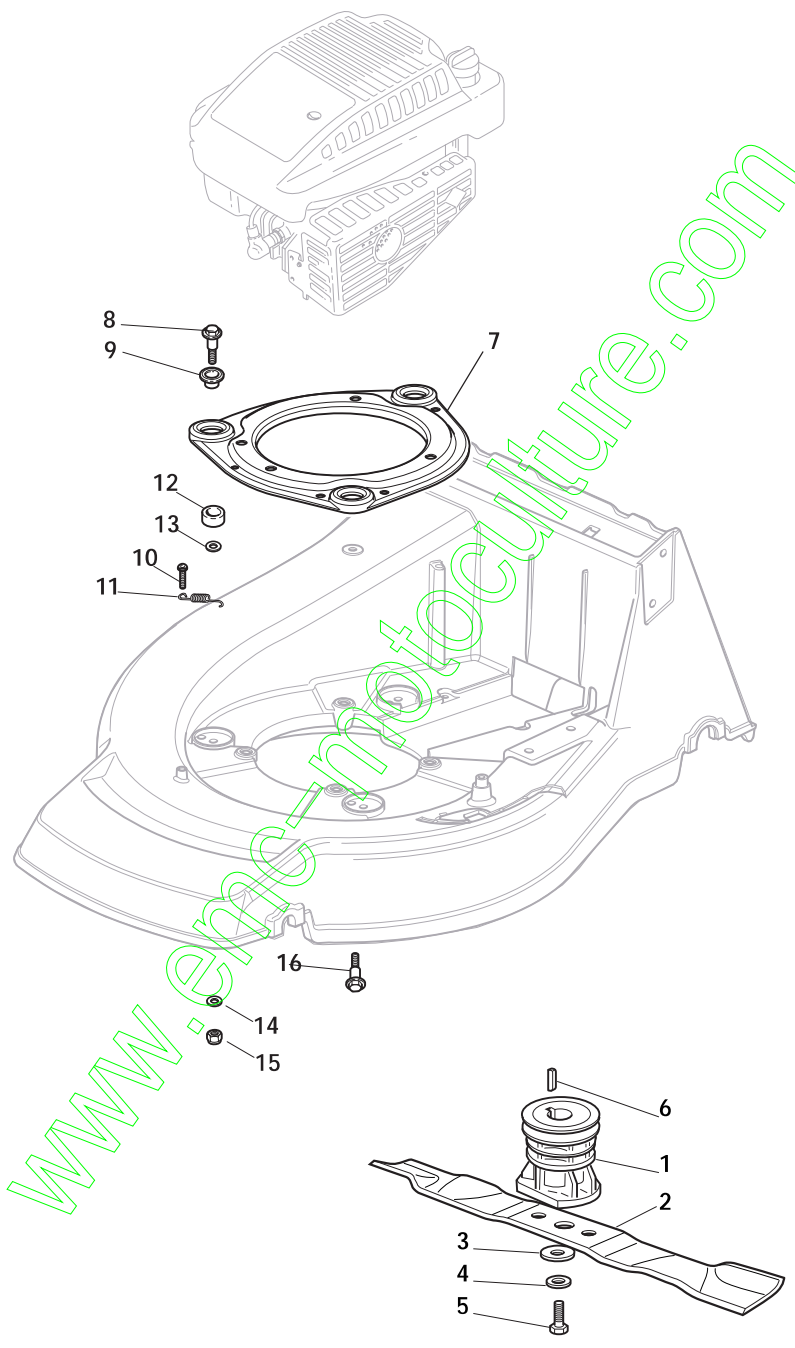
POS	PART. NO	Q.ty	DESCRIPTION	DESCRIZIONE	DESCRIPTION	BESCHREIBUNG	REMARKS
1	122465638/1	1	Hub With Pulley, Crankshaft Ø 22.2	Mozzo Con Puleggia, Albero Motore Ø 22.2	Moyeu Avec Poulie, Arbre Moteur Ø 22.2	Nabe Mit Scheibe, Motorwelle Ø 22.2	
2	181004381/1	1	Blade Standard	Coltello Standard	Lame Standard	Messer Standard	
3	122160400/0	1	Washer	Rosetta	Rondelle	Scheibe	
4	112523080/0	1	Washer	Rosetta	Rondelle	Scheibe	
5	112736815/0	1	Screw	Vite	Vis	Schraube	
6	112139100/0	1	Feather, Crankshaft Ø 22.2	Linguetta, Albero Motore Ø 22.2	Clavette, Arbre Moteur Ø 22.2	Keil, Motorwelle Ø 22.2	
7	112154210/0	3	Nut	Dado	Ecrou	Mutter	
8	122170835/0	3	Spacer	Distanziale	Entretoise	Distanzring	
9	112521350/0	3	Washer	Rosetta	Rondelle	Scheibe	
10	322170964/0	1	Protection	Protezione	Protection	Schutz	
11	112692050/0	3	Screw	Vite	Vis	Schraube	

www.emc-motoculture.com



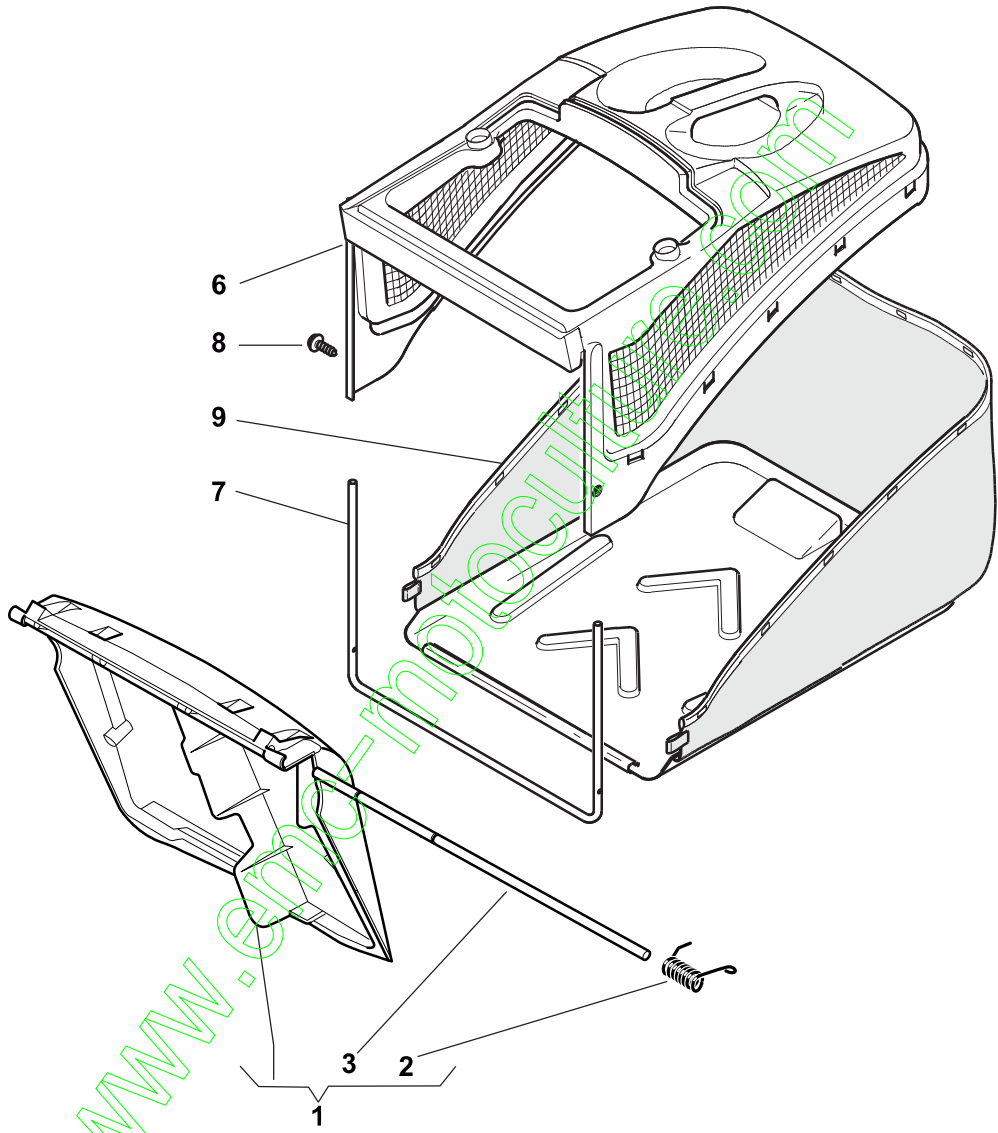
POS	PART. NO	Q.ty	DESCRIPTION	DESCRIZIONE	DESCRIPTION	BESCHREIBUNG	REMARKS
1	122601922/0	1	Pulley, Crankshaft Ø 22.2	Puleggia, Albero Motore Ø 22.2	Poulie, Arbre Moteur Ø 22.2	Riemenscheibe, Motorwelle Ø 22.2	B&S
1	122601923/0	1	Pulley, Crankshaft Ø 25	Puleggia, Albero Motore Ø 25	Poulie, Arbre Moteur Ø 25	Riemenscheibe, Motorwelle Ø 25	Honda
2	118399052/0	1	Mechanical Clutch	Ass. Frizione Meccanica	Embrayage Mecanique	Mechanische Kupplung	
3	112735460/0	1	Screw	Vite	Vis	Schraube	
4	181004382/0	1	Blade Standard	Coltello Standard	Lame Standard	Messer Standard	
5	112540070/0	2	Washer	Rosetta	Rondelle	Scheibe	
6	112794110/0	2	Screw	Vite	Vis	Schraube	
7	112154210/0	3	Nut	Dado	Ecrou	Mutter	
8	122170835/0	2	Spacer	Distanziale	Entretoise	Distanzring	
9	122170836/1	1	Spacer	Distanziale	Entretoise	Distanzring	
10	322170961/0	1	Protection	Cappuccio	Capuchon	Stecker	
11	112735664/0	2	Screw	Vite	Vis	Schraube	
12	322551665/0	1	Plate For Cable Fastening	Piastrina Fissaggio Cavo	Plaquette Fixage Câble	Platte Kabelbefestigung	
13	112154510/0	2	Nut	Dado	Ecrou	Mutter	
14	125580018/0	1	Pin	Perno	Pivot	Bolzen	
15	112155000/0	1	Nut	Dado	Ecrou	Mutter	
16	112735664/0	1	Screw	Vite	Vis	Schraube	
17	122446188/0	1	Spring	Molla	Ressort	Feder	
18	112692050/0	3	Screw	Vite	Vis	Schraube	B&S
18	112692080/0	3	Screw	Vite	Vis	Schraube	Honda
19	112521350/0	3	Washer	Rosetta	Rondelle	Scheibe	

www.emc-motoculture.com



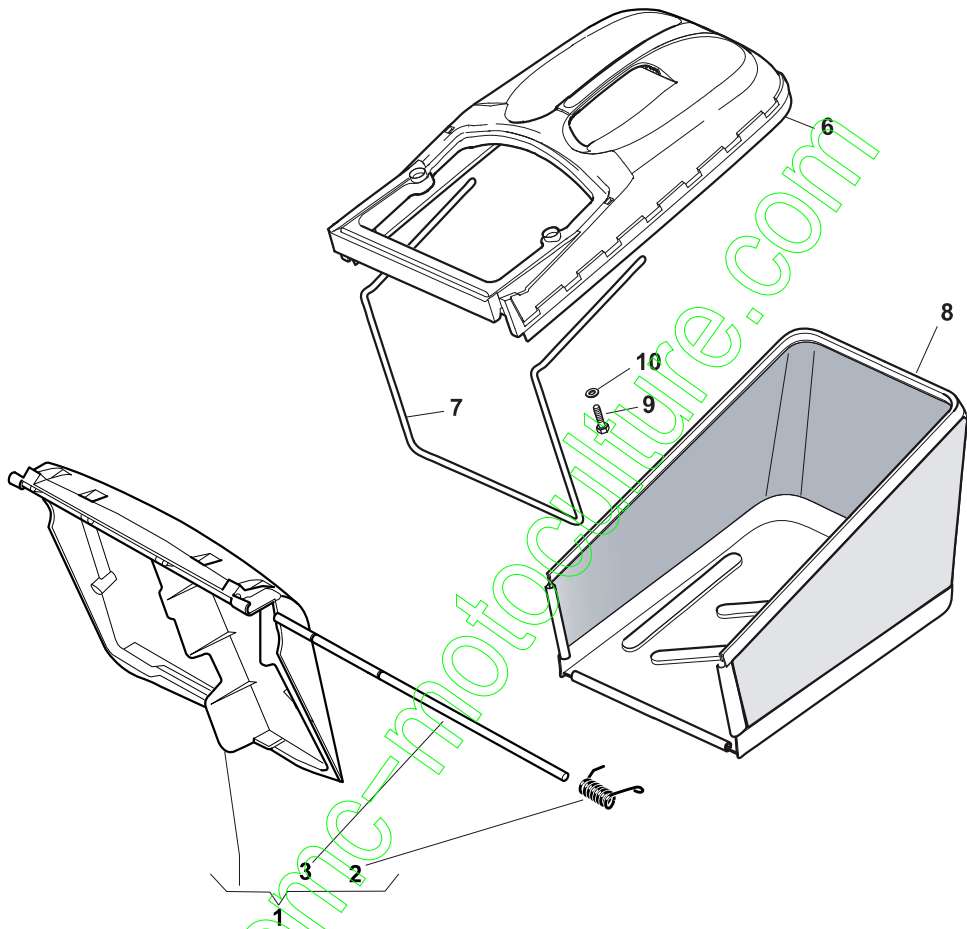
POS	PART. NO	Q.ty	DESCRIPTION	DESCRIZIONE	DESCRIPTION	BESCHREIBUNG	REMARKS
1	122465638/1	1	Hub With Pulley, Crankshaft Ø 22.2	Mozzo Con Puleggia, Albero Motore Ø 22.2	Moyeu Avec Poulie, Arbre Moteur Ø 22.2	Nabe Mit Scheibe, Motorwelle Ø 22.2	GGP-B&S
1	122465639/1	1	Hub With Pulley, Crankshaft Ø 25	Mozzo Con Puleggia, Albero Motore Ø 25	Moyeu Avec Poulie, Arbre Moteur Ø 25	Nabe Mit Scheibe, Motorwelle Ø 25	Honda
2	181004383/0	1	Blade, Avs	Coltello, Avs	Lame, Avs	Messer, Avs	
3	122160400/0	1	Elastic Washer	Disco Elastico	Disque Elastique	Federscheibe	
4	112523080/0	1	Washer	Rosetta	Rondelle	Scheibe	
5	112736815/0	1	Screw	Vite	Vis	Schraube	
6	112139100/0	1	Feather, Crankshaft Ø 22.2	Linguetta, Albero Motore Ø 22.2	Clavette, Arbre Moteur Ø 22.2	Keil, Motorwelle Ø 22.2	GGP-B&S
6	112139150/0	1	Feather, Crankshaft Ø 25	Linguetta, Albero Motore Ø 25	Clavette, Arbre Moteur Ø 25	Keil, Motorwelle Ø 25	Honda
7	322207223/0	1	Flange	Flangia	Bride	Flansch	
8	122524329/0	3	Pin	Perno	Pivot	Bolzen	
9	322672201/0	3	Washer	Rosetta	Rondelle	Scheibe	
10	112729601/1	1	Screw	Vite	Vis	Schraube	
11	122450445/0	1	Spring	Molla	Ressort	Feder	
12	322250012/0	3	Grommet	Gommino	Caoutchouc	Gummi	
13	122671651/0	3	Washer	Rosetta	Rondelle	Scheibe	
14	112521350/0	3	Washer	Rosetta	Rondelle	Scheibe	
15	112155000/0	3	Nut	Dado	Ecrou	Mutter	
16	112735108/1	3	Screw	Vite	Vis	Schraube	Only Honda Engine

www.emc-motoculture.com



POS	PART. NO	Q.ty	DESCRIPTION	DESCRIZIONE	DESCRIPTION	BESCHREIBUNG	REMARKS
1	381008050/0	1	Stone-Guard Black	Parasassi Nero	Pare-Pierres, Noir	Prallblech, Schwarz	
2	122451000/0	1	Spring	Molla	Ressort	Feder	
3	122517856/1	1	Pin	Perno	Pivot	Bolzen	
6	122486094/0	1	Grass-Box, Upper	Sacco, Parte Sup	Sac, Partie Superieure	Korb, Oberteil	
7	122608524/0	1	Stiffening Lower	Rinforzo Inf	Réforcement Inf	Verstärkung Untere	
8	112728445/0	2	Screw	Vite	Vis	Schraube	
9	181002196/0	1	Box, Fabric	Sacco, Tela	Sac, Toile	Sack, Tuck	

www.emc-motoculture.com



POS	PART. NO	Q.ty	DESCRIPTION	DESCRIZIONE	DESCRIPTION	BESCHREIBUNG	REMARKS
1	381008050/0	1	Stone-Guard Black	Parasassi Nero	Pare-Pierres, Noir	Prallblech, Schwarz	
2	122451000/0	1	Spring	Molla	Ressort	Feder	
3	122517856/1	1	Pin	Perno	Pivot	Bolzen	
6	322486102/0	1	Grass-Box, Upper	Sacco, Parte Sup	Sac, Partie Superieure	Korb, Oberteil	
7	122608526/0	1	Stiffening Lower	Rinforzo Inf	Réforcement Inf	Verstärkung Untere	
8	181002212/0	1	Box, Fabric	Sacco, Tela	Sac, Toile	Sack, Tuck	
9	112728680/0	2	Screw	Vite	Vis	Schraube	
10	112523050/0	2	Washer	Rosetta	Rondelle	Scheibe	

www.emc-motoculture.com