

# Genuine Spare Parts

**NT 534 TR - NT 534 TR/E**

Catalogo delle parti di ricambio  
Spare parts catalogue  
Catalogue des pieces de rechange  
Ersatzteilkatalog

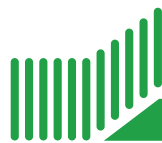
**2011**

- Use GLOBAL GARDEN PRODUCT Genuine Spare Parts specified in the parts list for repair and/or replacement.
- The contents described in the parts list may change due to improvement.
- The drawings of the spare parts are only indicative and might not represent the part in question exactly.
- The indications "right" - "left" - "front" - "rear" refer to the position of the operator when using the machine.
- When placing orders of parts for repair and/or replacement, make sure that the illustrated parts list is the one applying to the machine's year of manufacture, as shown on the identification plate attached to the machine.

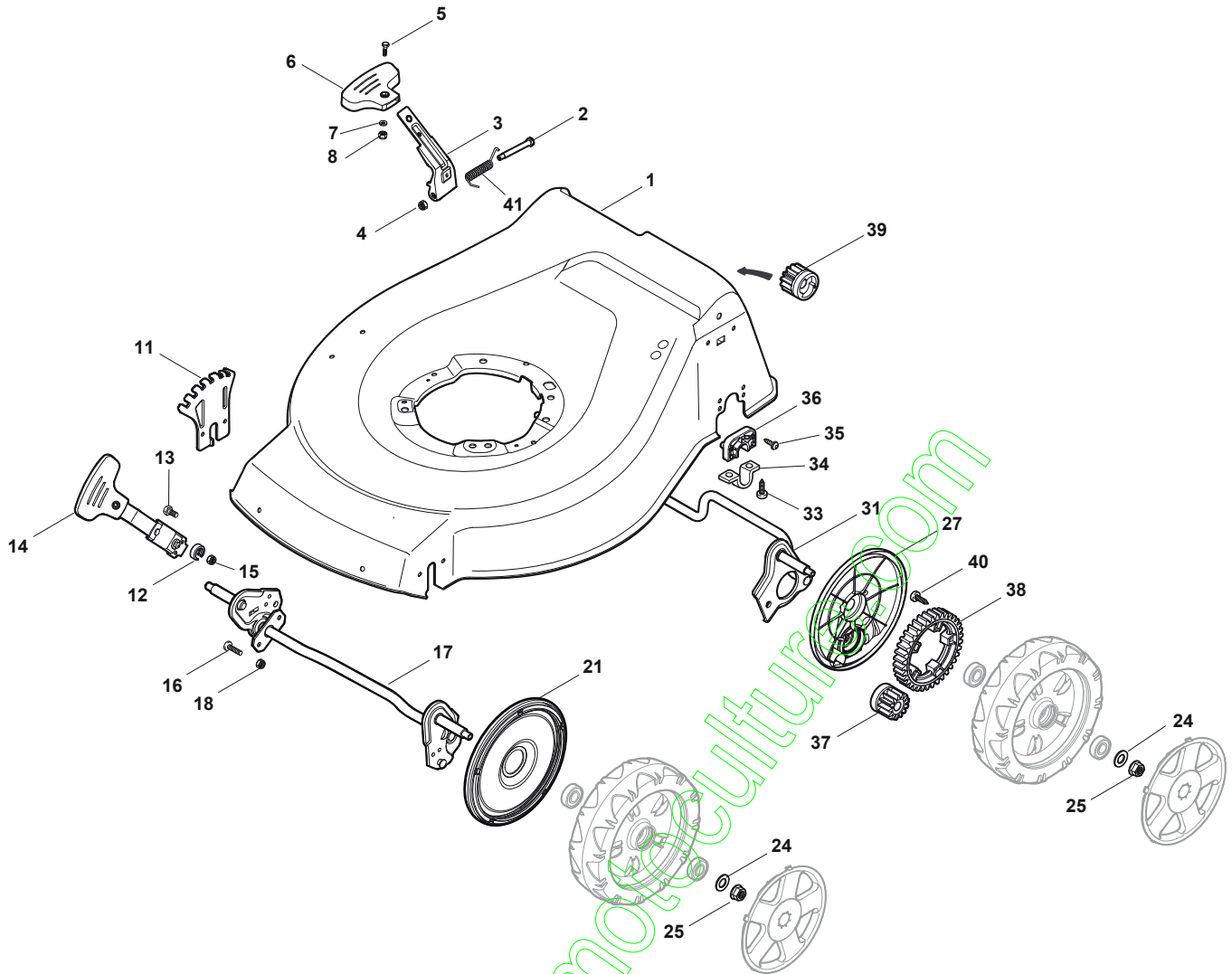
© Copyright 2011 Global Garden Products

All content is subject to copyright by Global Garden Products and may not be reproduced in whole or in part by any means, electronic or otherwise, without prior written approval.

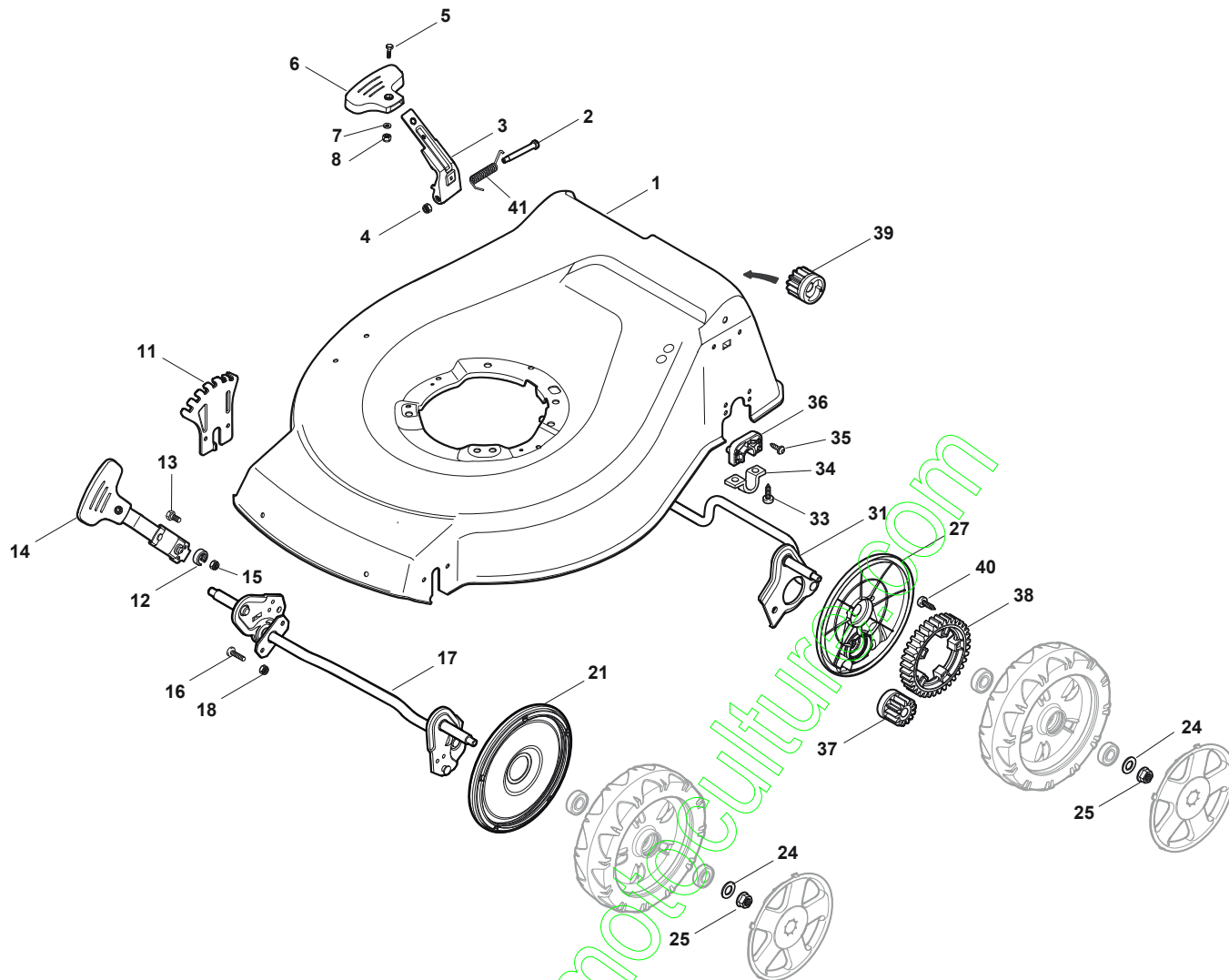
THIS INFORMATION IS NOT INTENDED FOR SALE OR RESALE, AND THIS NOTICE MUST REMAIN ON ALL COPIES.



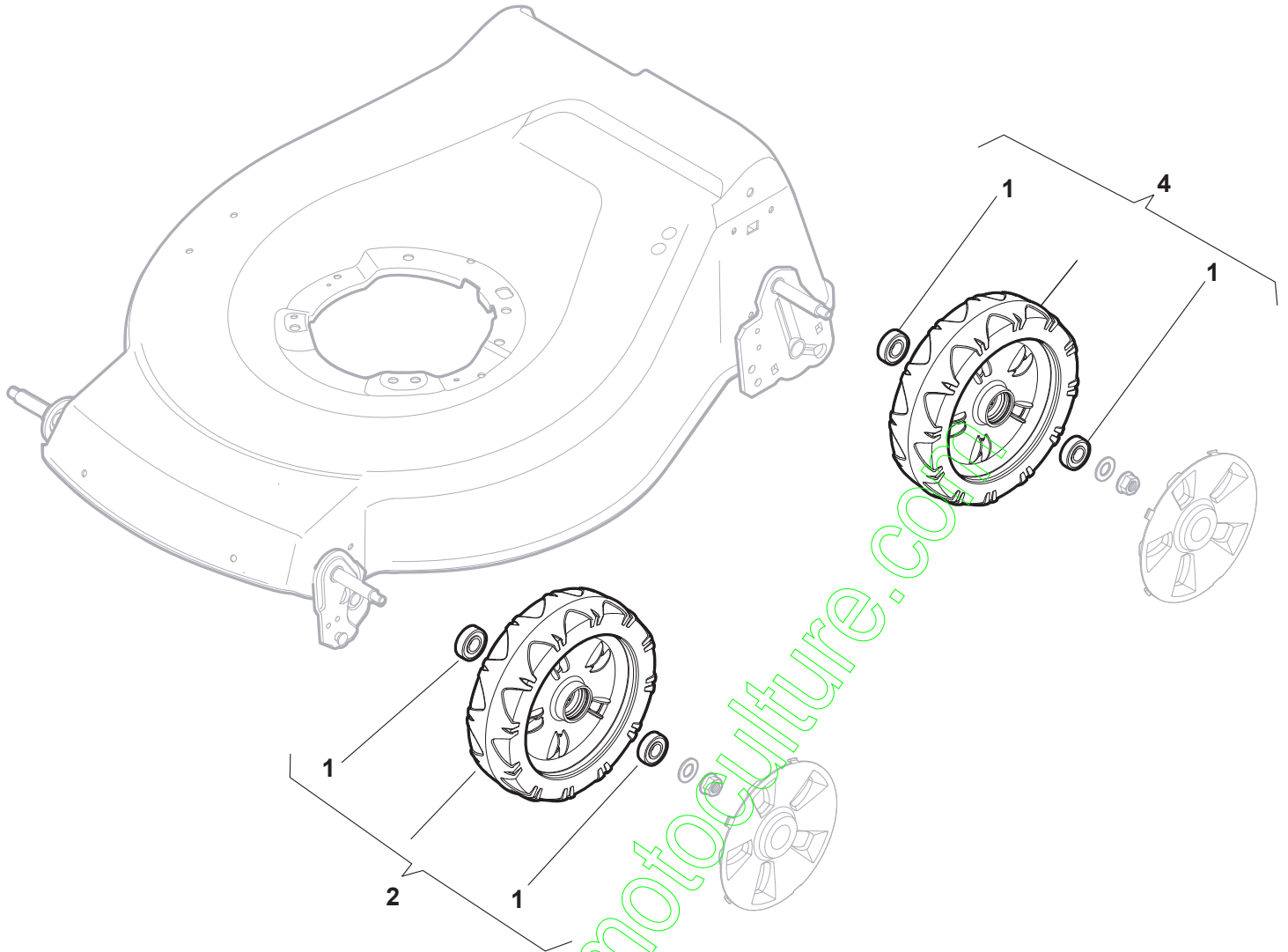
**GLOBAL GARDEN PRODUCTS**



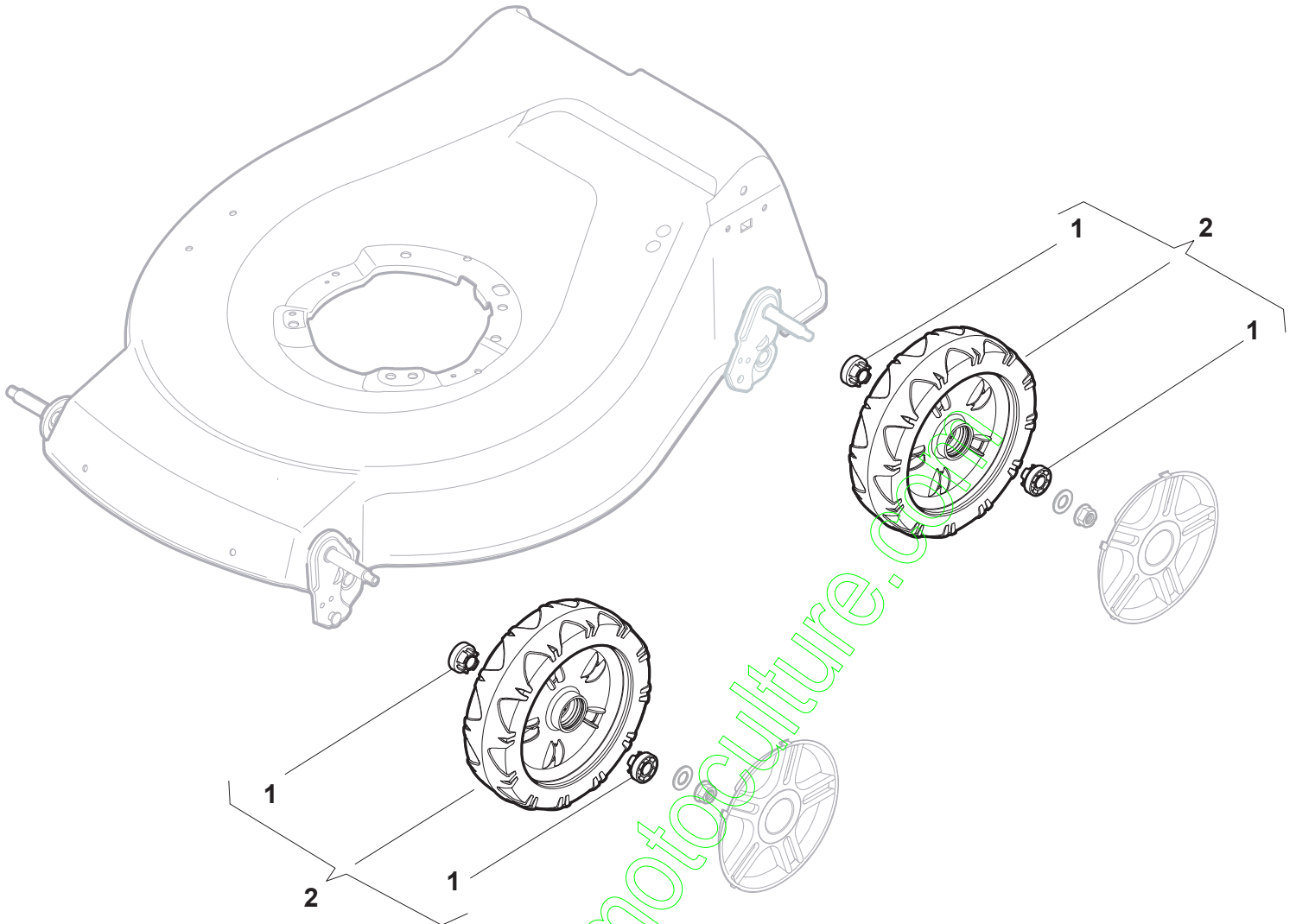
N.	CODE	Q.TY	DESCRIZIONE	DESCRIPTION	DESCRIPTION	BESCHREIBUNG	REMARK
1	381003909/0	1	Chassis Rosso	Deck Red	Châssis Rouge	Gehäuse Rot	
1	381003915/0	1	Chassis Giallo	Deck Yellow	Châssis Jaune	Gehäuse Gelb	
1	381003945/0	1	Chassis Nero	Deck Black	Châssis Noir	Gehäuse Schwarz	
1	381003984/0	1	Chassis Grigio	Deck Grey	Châssis Gris	Gehäuse Grau	
2	122534131/0	1	Perno	Pin	Pivot	Bolzen	
3	322322851/0	1	Leva Regolazione Altezza	Lever, Height Adjustment	Levier, Reglage Hauteur	Hebel, Höheverstellung	
4	112154510/0	1	Dado	Nut	Ecrou	Mutter	
5	12788512/0	1	Vite	Screw	Vis	Schraube	
6	322394503/0	1	Manopolina	Knob	Poignée	Griff	
7	12521310/0	1	Rondella	Washer	Rondelle	Scheibe	
8	12150000/0	1	Dado	Nut	Ecrou	Mutter	
11	322735587/0	1	Settore Regolazione Altezza	Sector, Height Adjustment	Secteur Reglage Hauteur	Sektor, Höheverstellung	
12	22171002/0	2	Distanziale	Spacer	Entretoise	Distanzring	
13	12789000/0	2	Vite	Screw	Vis	Schraube	
14	381003351/0	1	Leva Regolazione Altezza	Lever, Height Adjustment	Levier Reglage Hauteur	Hebel, Höheverstellung	
15	12154330/0	2	Dado	Nut	Ecrou	Mutter	
16	112727803/0	4	Vite	Screw	Vis	Schraube	
17	381002885/1	1	Asse Ruote Anteriori	Axle, Front Wheels	Axe Roues Avant	Achse, Vorderrad	
18	12154510/0	4	Dado	Nut	Ecrou	Mutter	
21	322600145/0	2	Prot. Ruote	Protection, Wheel	Protection Roue	Schütz, Räder	
24	12521350/0	4	Rosetta	Washer	Rondelle	Scheibe	
25	12155000/0	4	Dado	Nut	Ecrou	Mutter	
27	322600193/0	2	Prot. Ruote	Protection, Wheel	Protection Roue	Schütz, Räder	
31	381302827/0	1	Asse Ruote Posteriori	Axle, Rear Wheels	Axe Roues Arriere	Achse, Hinterrad	
32	122450460/0	1	Molla	Spring	Ressort	Feder	
33	112728697/0	4	Vite	Screw	Vis	Schraube	
34	22545152/0	2	Piastrina	Plate	Plaquette	Platte	



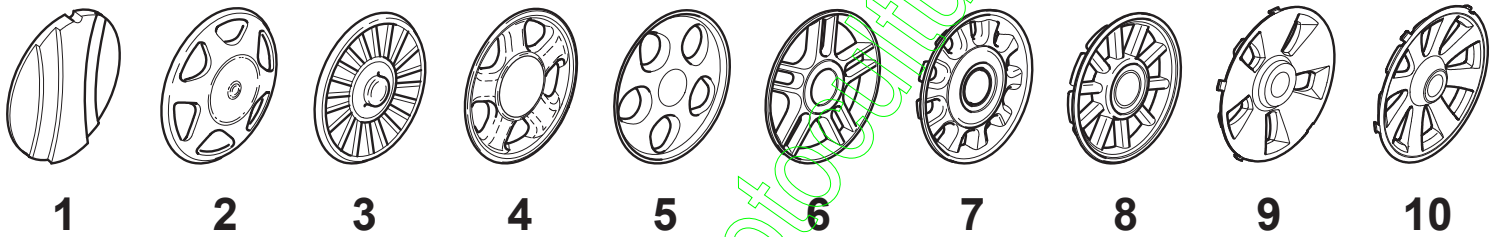
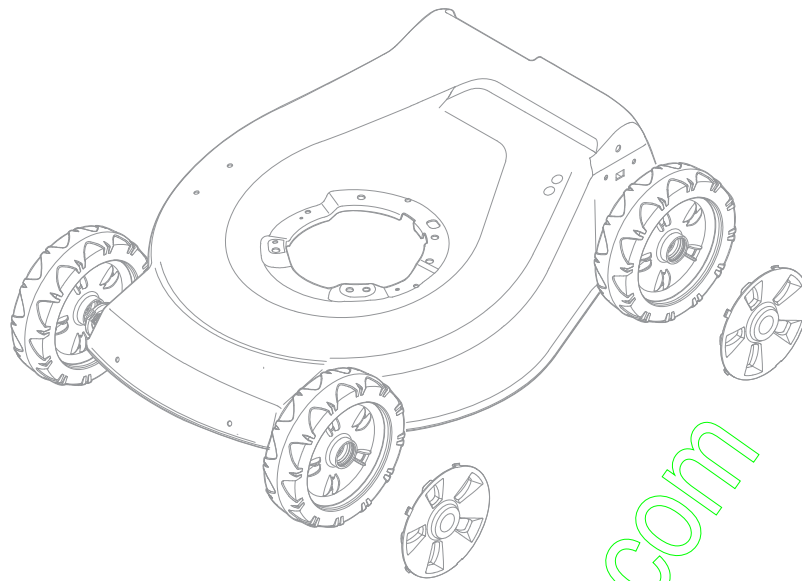
N. CODE	Q.TY	DESCRIZIONE	DESCRIPTION	DESCRIPTION	BESCHREIBUNG	REMARK	
35	112728697/0	4	Vite	Screw	Vis	Schraube	
36	322785304/0	2	Supporto	Support	Support	Halter	
37	22570120/1	1	Pignone Sx	Pinion L	Pignon G	Ritzel Linkes	
38	322120114/0	2	Corona Trascinamento	Ring Gear	Couronne	Kranz	
39	22570110/1	1	Pignone Dx	Pinion R	Pignon D	Ritzel Rechtes	
40	122446192/0	1	Molla	Spring	Ressort	Feder	



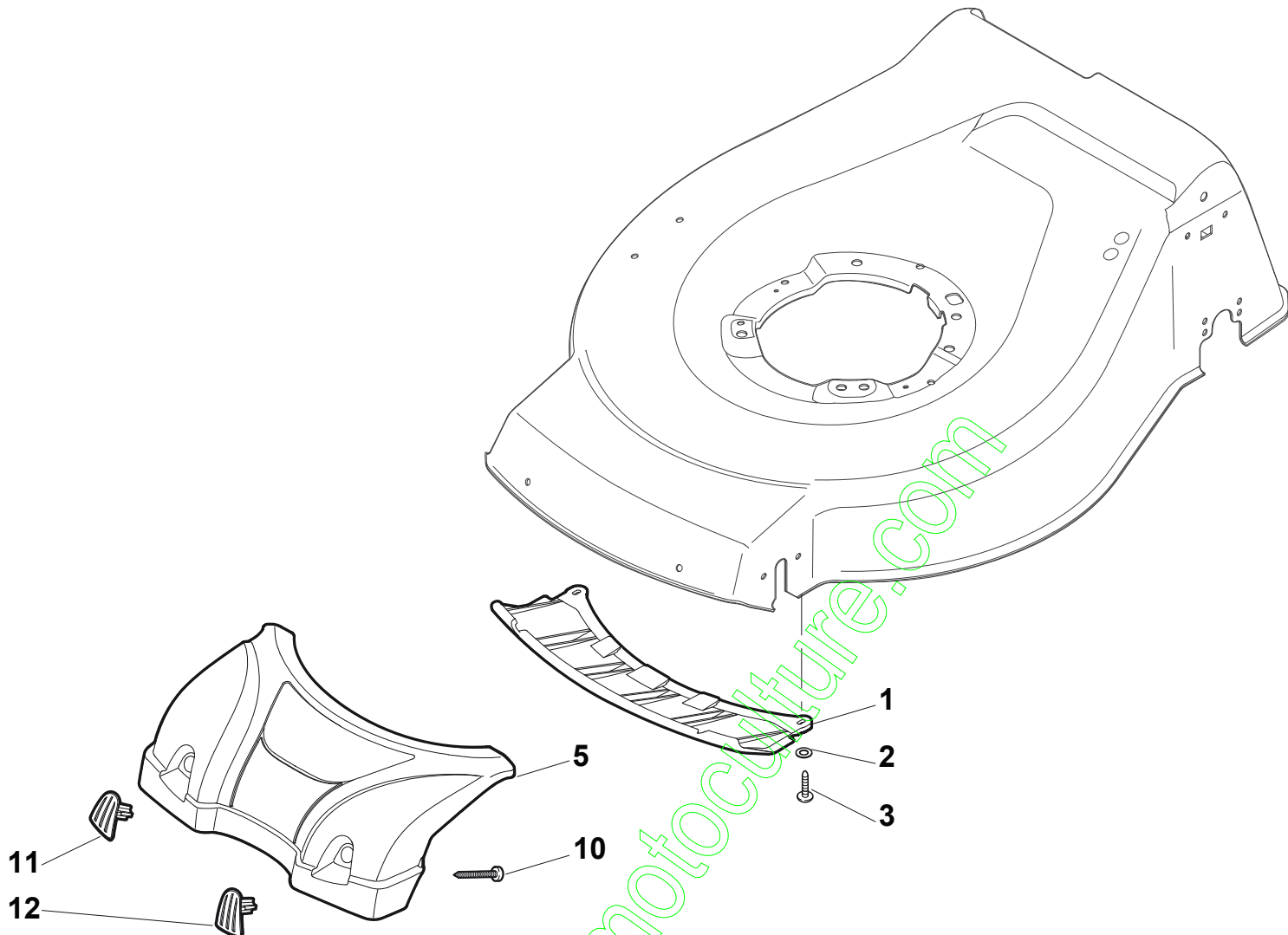
N.	CODE	Q.TY	DESCRIZIONE	DESCRIPTION	DESCRIPTION	BESCHREIBUNG	REMARK
1	19216035/0	8	Cuscinetto	Bearing	Coussinet	Lager	
2	381007416/1	4	Ruota Ø 200	Ruota Ø 200	Roue Ø 200	Rad Ø 200	



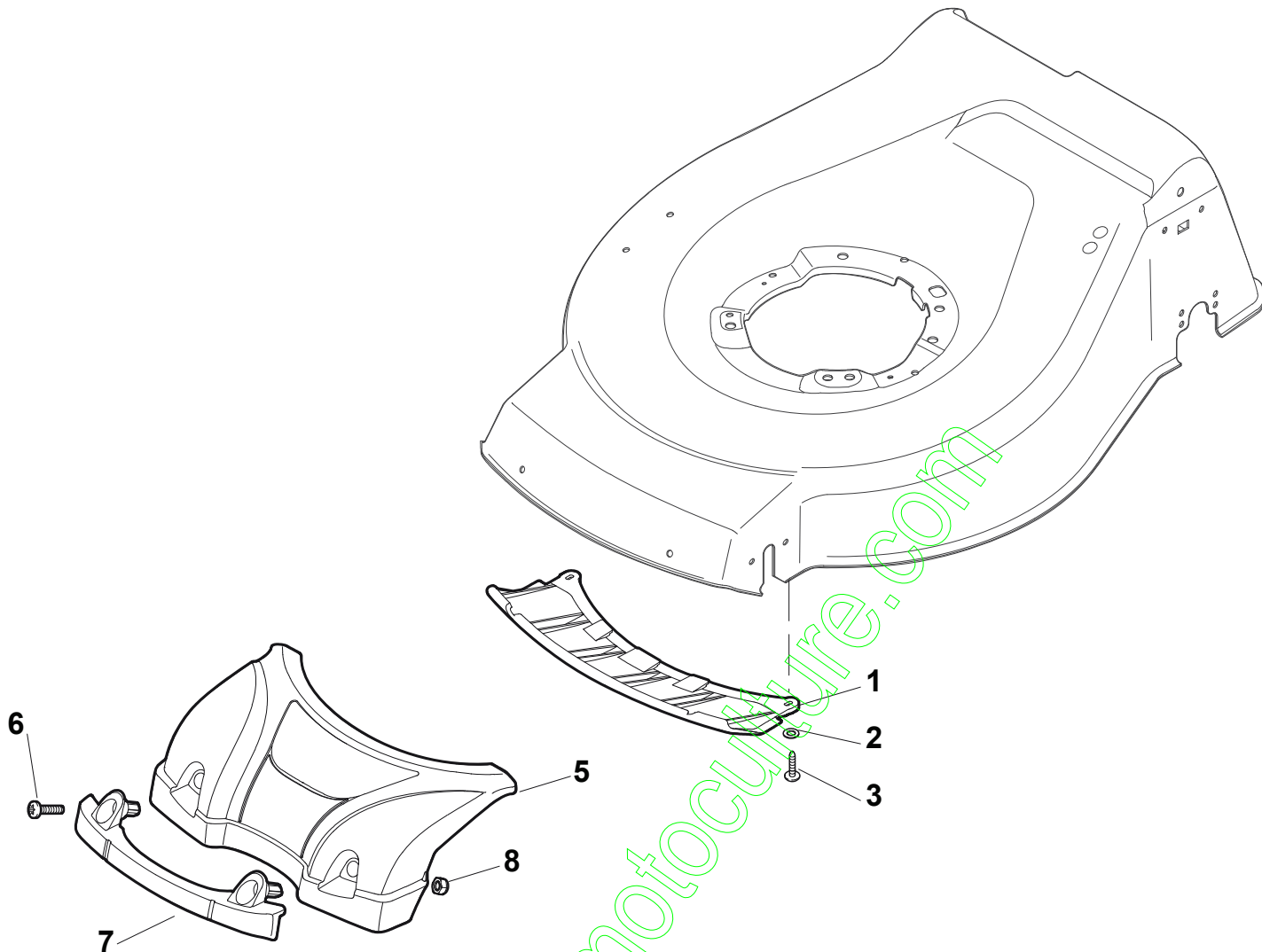
N.	CODE	Q.TY	DESCRIZIONE	DESCRIPTION	DESCRIPTION	BESCHREIBUNG	REMARK
1	322042063/0	8	Bussola	Bearing	Coussinet	Lager	
2	381007435/0	4	Ruota Ø 200	Ruota Ø 200	Roue Ø 200	Rad Ø 200	



N.	CODE	Q.TY	DESCRIZIONE	DESCRIPTION	DESCRIPTION	BESCHREIBUNG	REMARK
1	22110251/0	2	Coprismozzo Bianco	Hub Cap White	Couvre-Moyeu	Radkappe Weiße	
1	22110253/0	2	Coprismozzo Giallo	Hub Cap Yellow	Couvre-Moyeu	Radkappe Gelbe	
1	22110256/0	2	Coprismozzo Rosso	Hub Cap Red	Couvre-Moyeu	Radkappe Rote	
1	22110382/0	2	Coprismozzo Grigio	Hub Cap Grey	Couvre-Moyeu Gris	Radkappe Grau	
2	22110313/0	2	Coprismozzo Bianco	Hub Cap White	Couvre-Moyeu	Radkappe Weiße	
2	22110314/0	2	Coprismozzo Grigio	Hub Cap Grey	Couvre-Moyeu Gris	Radkappe Grau	
3	22110348/0	2	Coprismozzo Grigio	Hub Cap Grey	Couvre-Moyeu Gris	Radkappe Grau	
4	22110382/0	2	Coprismozzo Grigio	Hub Cap Grey	Couvre-Moyeu Gris	Radkappe Grau	
5	22110417/0	2	Coprismozzo Grigio	Hub Cap Grey	Couvre-Moyeu Gris	Radkappe Grau	
6	22110492/0	2	Coprismozzo Grigio	Hub Cap Grey	Couvre-Moyeu Gris	Radkappe Grau	
7	22110494/0	2	Coprismozzo Grigio	Hub Cap Grey	Couvre-Moyeu Gris	Radkappe Grau	
8	22110496/0	2	Coprismozzo Grigio	Hub Cap Grey	Couvre-Moyeu Gris	Radkappe Grau	
9	322110643/0	2	Coprismozzo Grigio	Hub Cap Grey	Couvre-Moyeu	Radkappe	
10	322110645/0	2	Coprismozzo Grigio	Hub Cap Grey	Couvre-Moyeu	Radkappe	

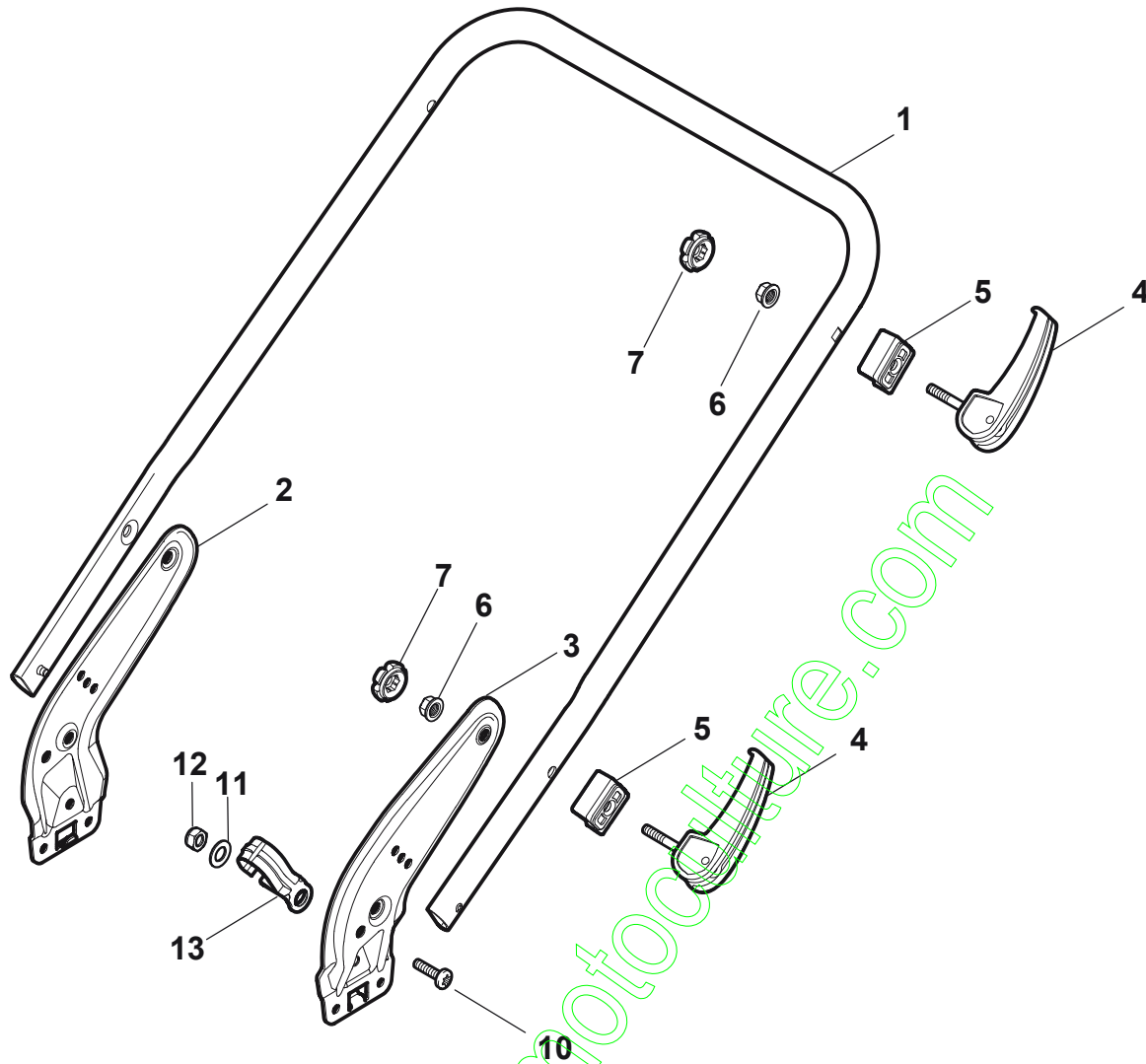


N.	CODE	Q.TY	DESCRIZIONE	DESCRIPTION	DESCRIPTION	BESCHREIBUNG	REMARK
1	322500103/0	1	Griglia Aspirazione	Air Intake Grill	Grille D'Aspiration	Ansauggitter	
2	112523000/1	2	Rosetta	Washer	Rondelle	Scheibe	
3	12728124/0	2	Vite	Screw	Vis	Schraube	
5	322226145/0	1	Mascherina, Rosso	Mask, Red	Mesque, Rouge	Maske, Rot	
5	322226154/0	1	Mascherina, Nero	Mask, Black	Mesque, Noire	Maske, Schwarz	
10	112728697/0	2	Vite	Screw	Vis	Schraube	
11	322820082/0	1	Tappo	Cap	Bouchon	Gummistopfen	
12	322820083/0	1	Tappo	Cap	Bouchon	Gummistopfen	

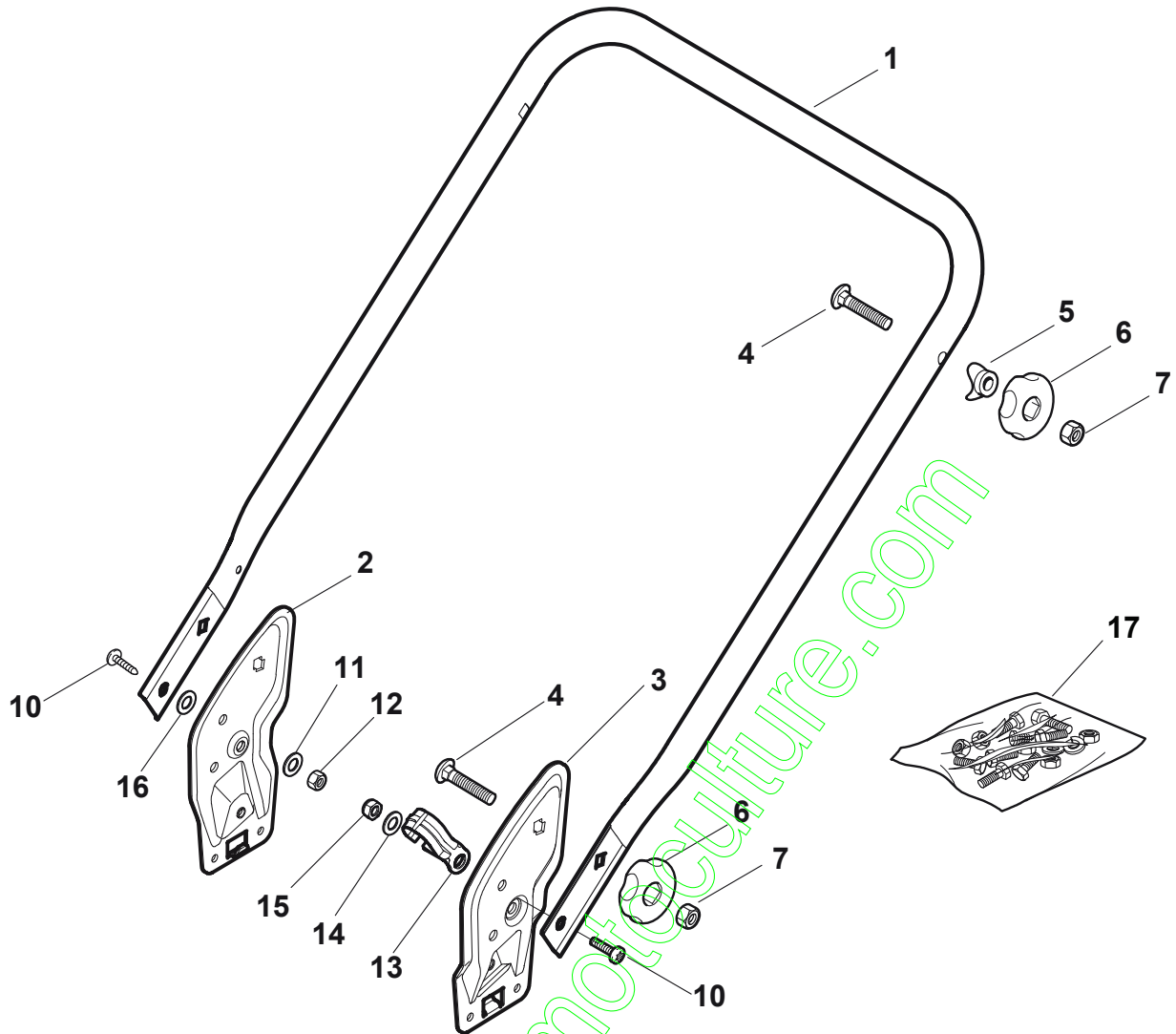


N.	CODE	Q.TY	DESCRIZIONE	DESCRIPTION	DESCRIPTION	BESCHREIBUNG	REMARK
1	322500103/0	1	Griglia Aspirazione	Air Intake Grill	Grille D'Aspiration	Ansauggitter	
2	112523000/1	2	Rosetta	Washer	Rondelle	Scheibe	
3	12728124/0	2	Vite	Screw	Vis	Schraube	
5	322226145/0	1	Mascherina, Rosso	Mask, Red	Mesque, Rouge	Maske, Rot	
5	322226154/0	1	Mascherina, Nero	Mask, Black	Mesque, Noire	Maske, Schwarz	
6	112727799/0	2	Vite	Screw	Vis	Schraube	
7	322393638/0	1	Maniglia, Nero	Handle, Black	Poignee, Noire	Griff, Schwarz	
7	322393639/0	1	Maniglia, Grigio	Handle, Grey	Poignee, Gris	Griff, Grau	
7	322393640/0	1	Maniglia, Gialla	Handle, Yellow	Poignee, Jaune	Griff, Gelb	
8	12154510/0	2	Dado	Nut	Ecrou	Mutter	

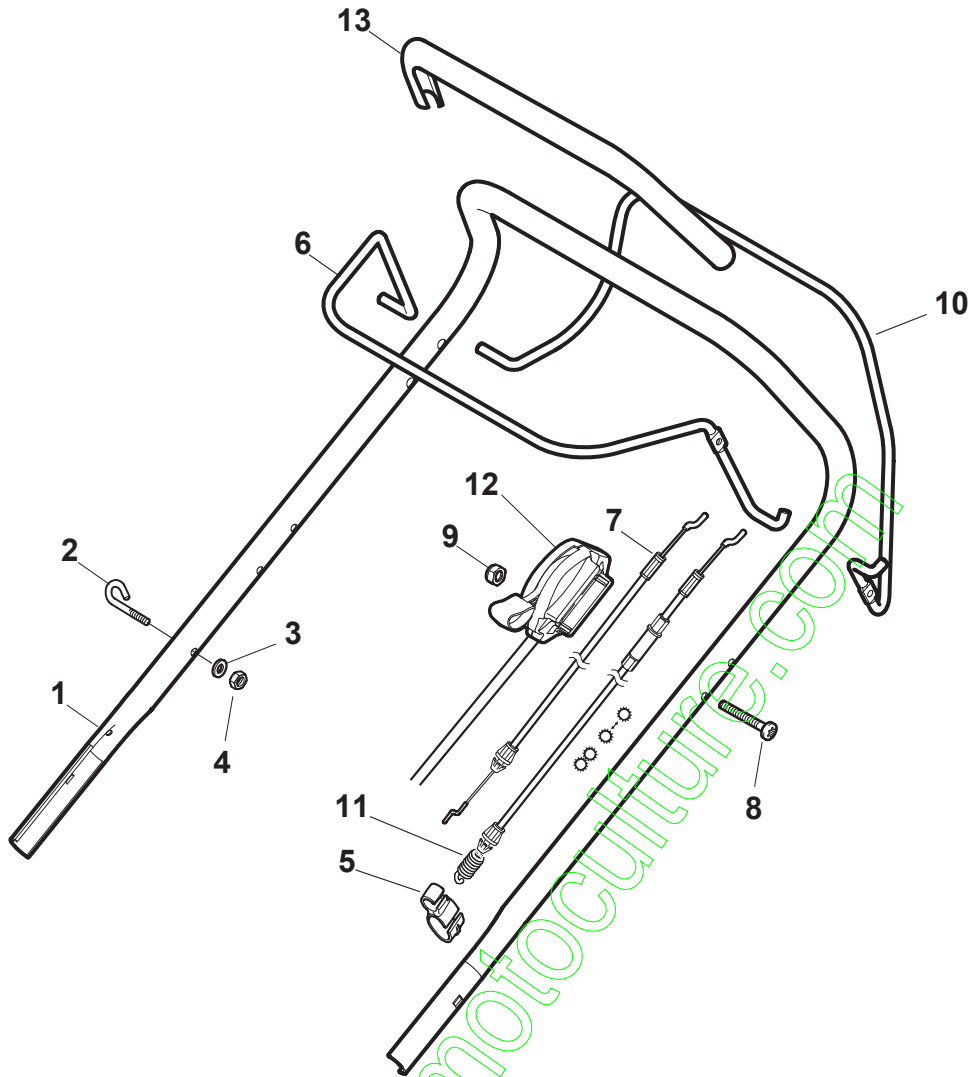




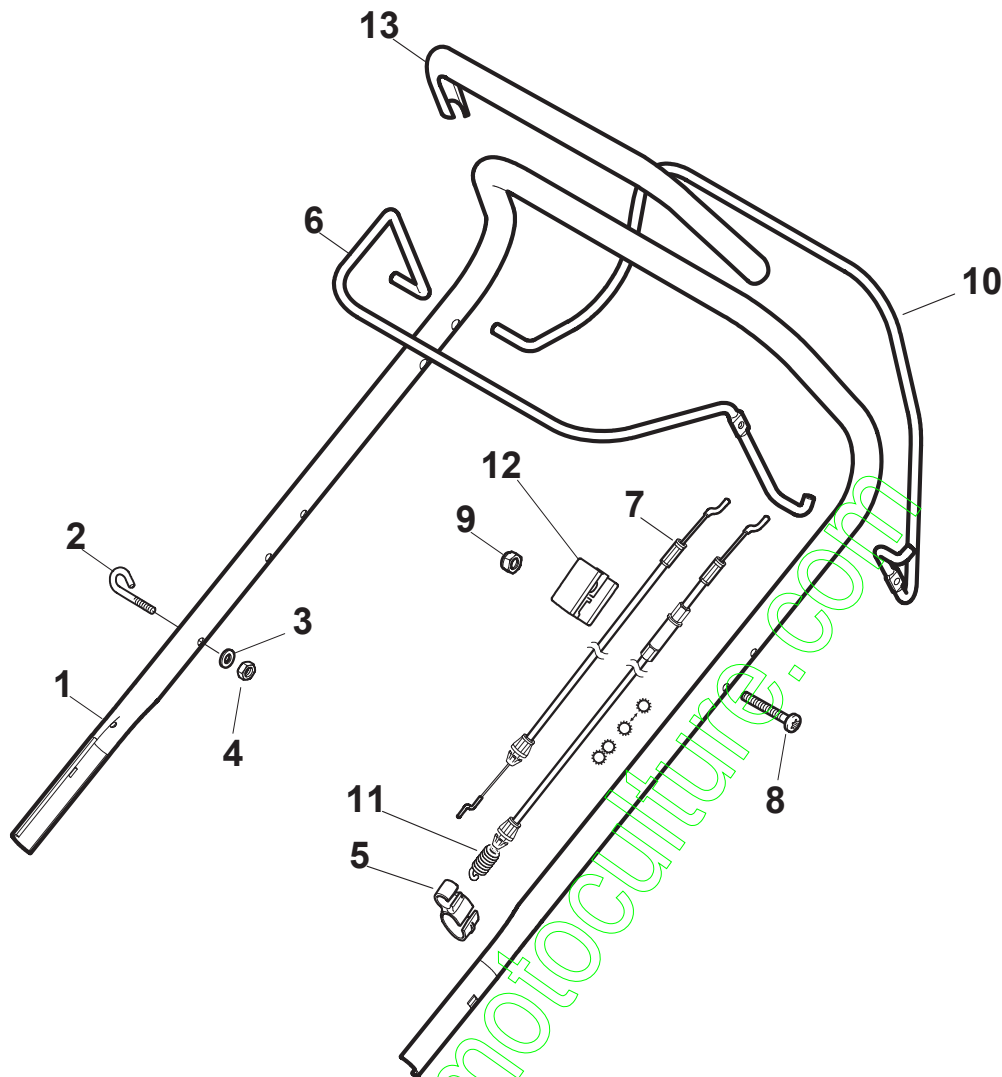
N.	CODE	Q.TY	DESCRIZIONE	DESCRIPTION	DESCRIPTION	BESCHREIBUNG	REMARK
1	381006719/0	1	Manico, Parte Inf	Handle, Lower Part	Mancheron, Partie Inferieure	Holm, Unterteil	
1	381006720/0	1					
2	381005149/0	1	Staffa Dx	Bracket, R	Bride D	Pratze, Rechte	
3	381005151/0	1	Staffa Sx	Bracket, L	Bride G	Pratze, Linke	
4	381003253/0	4	Maniglia	Handle	Poignee	Griff	
5	322680016/0	4	Supporto	Support	Support	Halter	
6	22131750/0	4	Dado	Nut	Ecrou	Mutter	
7	322399835/0	4	Manopolina	Knob	Poignée	Griff	
10	12760605/0	2	Vite	Screw	Vis	Schraube	
11	25038002/1	2	Bussola	Bush	Douille	Buchse	
12	12155000/0	2	Dado	Nut	Ecrou	Mutter	
13	322192156/0	1	Fascetta	Fair Led	Fixation De Cable	Kabelbefestigung	



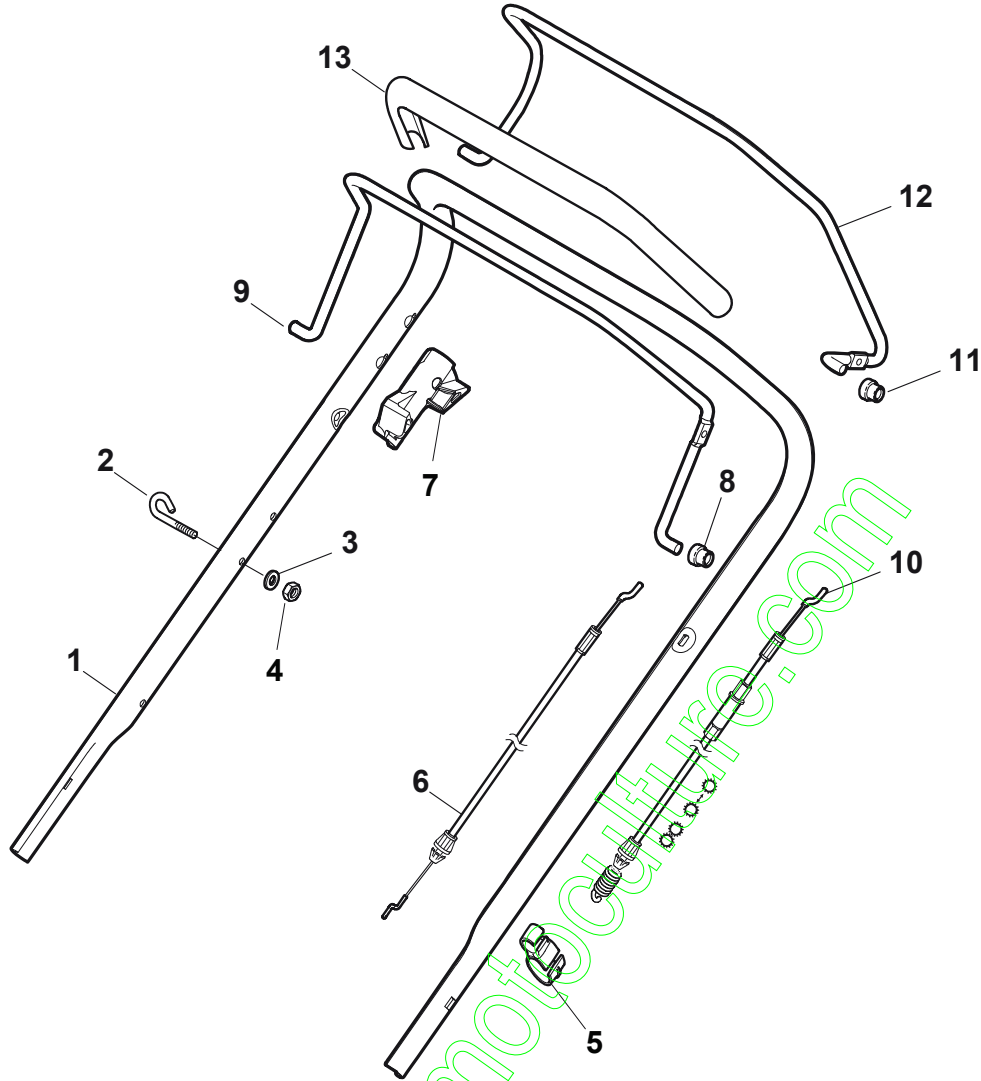
N.	CODE	Q.TY	DESCRIZIONE	DESCRIPTION	DESCRIPTION	BESCHREIBUNG	REMARK
1	381007043/0	1	Manico, Parte Inf	Handle, Lower Part	Mancheron, Partie Inferieure	Holm, Unterteil	
2	381005149/0	1	Staffa Dx	Bracket, R	Bride D	Pratze, Rechte	
3	381005151/0	1	Staffa Sx	Bracket, L	Bride G	Pratze, Linke	
4	12819120/0	4	Vite	Screw	Vis	Schraube	
5	22680006/1	4	Rosetta	Washer	Rondelle	Scheibe	
6	322399804/1	4	Manopolina	Knob	Poignée	Griff	
7	12293200/0	4	Dado	Nut	Ecrou	Mutter	
10	12760605/0	3	Vite	Screw	Vis	Schraube	
11	12521350/0	2	Rosetta	Washer	Rondelle	Scheibe	
12	12155000/0	2	Dado	Nut	Ecrou	Mutter	
13	322192156/0	1	Fascetta	Fair Led	Fixation De Cable	Kabelbefestigung	
14	12523040/0	1	Rosetta	Washer	Rondelle	Scheibe	
15	12154510/0	1	Dado	Nut	Ecrou	Mutter	
16	12369500/0	2	Rosetta Elastica	Elastic Washer	Rondelle Elastique	Elastische Scheibe	



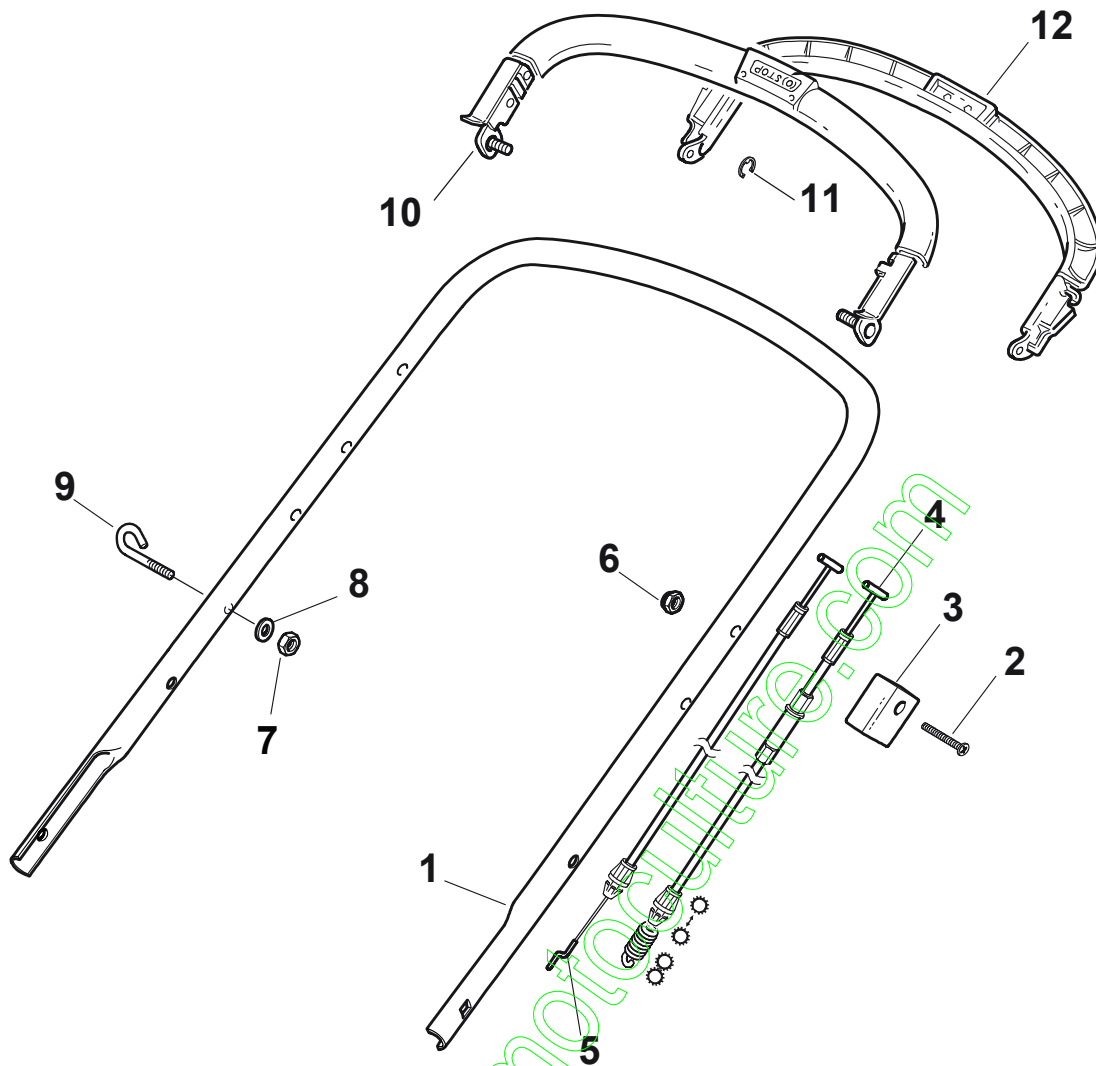
N.	CODE	Q.TY	DESCRIZIONE	DESCRIPTION	DESCRIPTION	BESCHREIBUNG	REMARK
1	381007508/0	1	Manico, Parte Sup	Handle, Upper Part	Mancheron, Partie Superieure	Holm, Oberteil	
1	381007510/0	1	Manico, Parte Sup. con impugantura in spugna	Handle, Upper Part with sponge handgrip	Mancheron, Partie Superieure avec eponge poignée	Holm, Oberteil Handgriff Schwamm	
2	22430313/0	1	Molla Guida	Guide Spring	Ressort De Guide	Feder Führer	
3	12521330/0	1	Rosetta	Washer	Rondelle	Scheibe	
4	12154510/0	1	Dado	Nut	Ecrou	Mutter	
5	118390020/0	1	Fermacavo	Fairlead	Fixation Cable	Kabelbefestigung	
6	181003363/1	1	Leva Freno Motore	Lever, Engine Brake	Levier Frein Moteur	Hebel, Motorbremse	Black
6	381003365/0	1	Leva Freno Motore	Lever, Engine Brake	Levier Frein Moteur	Hebel, Motorbremse	Yellow
6	381003376/0	1	Leva Freno Motore	Lever, Engine Brake	Levier Frein Moteur	Hebel, Motorbremse	Red
7	181030053/0	1	Cavo Freno Motore	Cable, Thread Eng. Brake	Cable Frein Moteur	Kabel, Motorbremse	B&S
7	181030053/0	1	Cavo Freno Motore	Cable, Thread Eng. Brake	Cable Frein Moteur	Kabel, Motorbremse	GGP
7	181030070/0	1	Cavo Freno Motore	Cable, Thread Eng. Brake	Cable Frein Moteur	Kabel, Motorbremse	HONDA
8	12727783/0	1	Vite	Screw	Vis	Schraube	
9	12154510/0	1	Dado	Nut	Ecrou	Mutter	
10	181003364/0	1	Leva Trazione	Lever, Driving	Levier Traction	Hebel, Antrieb	Black
10	381003366/0	1	Leva Trazione	Lever, Driving	Levier Traction	Hebel, Antrieb	Yellow
10	381003377/0	1	Leva Trazione	Lever, Driving	Levier Traction	Hebel, Antrieb	Red
11	381030051/0	1	Cavo Comando Trazione	Cable, Rear Drive	Câble, Commande Traction	Kabel, Antrieb	
12	181005504/1	1	Cavo Acceleratore	Throttle Cable	Cable, Accelérateur	Gashebel Kabel	GGP 150 cc
12	181005511/0	1	Cavo Acceleratore	Throttle Cable	Cable, Accelérateur	Gashebel Kabel	B&S
12	181005517/0	1	Cavo Acceleratore	Throttle Cable	Cable, Accelérateur	Gashebel Kabel	HONDA
12	181005517/0	1	Cavo Acceleratore	Throttle Cable	Cable, Accelérateur	Gashebel Kabel	GGP
13	22291050/0	1	Impugnatura Manico Nera	Handgrip Black	Poignée Noire	Handgriff Schwarz	only for handle part no. 381007508/0



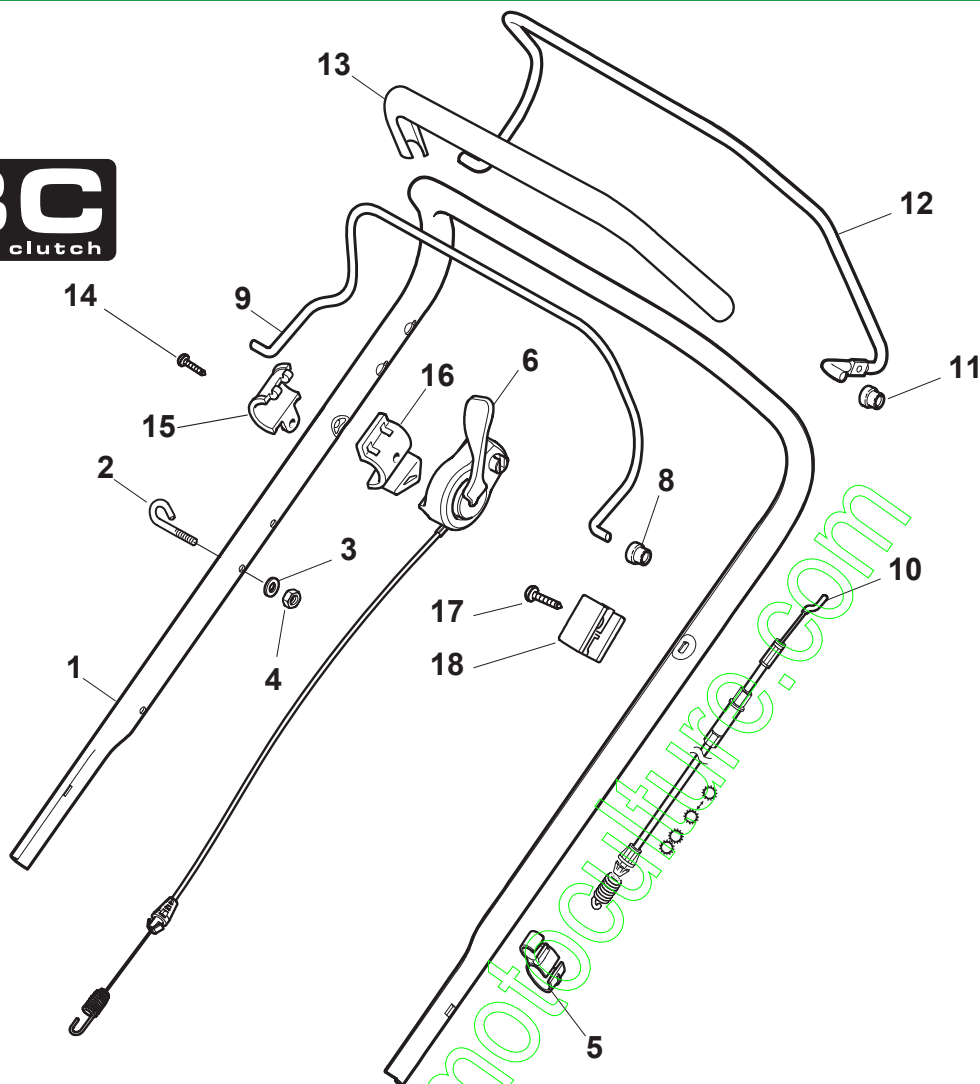
N.	CODE	Q.TY	DESCRIZIONE	DESCRIPTION	DESCRIPTION	BESCHREIBUNG	REMARK
1	381006739/0	1	Manico, Parte Sup	Handle, Upper Part	Mancheron, Partie Superieure	Holm, Oberteil	
1	381006745/0	1	Manico, Parte Sup. con impugantura in spugna	Handle, Upper Part with sponge handgrip	Mancheron, Partie Superieure avec éponge poignée	Holm, Oberteil Handgriff Schwamm	
2	22430313/0	1	Molla Guida	Guide Spring	Ressort De Guide	Feder Führer	
3	12521330/0	1	Rosetta	Washer	Rondelle	Scheibe	
4	12154510/0	1	Dado	Nut	Ecrou	Mutter	
5	118390020/0	1	Fermacavo	Fairlead	Fixation Cable	Kabelbefestigung	
6	181003363/1	1	Leva Freno Motore	Lever, Engine Brake	Levier Frein Moteur	Hebel, Motorbremse	Black
6	381003365/0	1	Leva Freno Motore	Lever, Engine Brake	Levier Frein Moteur	Hebel, Motorbremse	Yellow
6	381003376/0	1	Leva Freno Motore	Lever, Engine Brake	Levier Frein Moteur	Hebel, Motorbremse	Red
7	181030053/0	1	Cavo Freno Motore	Cable, Thread Eng. Brake	Cable Frein Moteur	Kabel, Motorbremse	B&S
7	181030053/0	1	Cavo Freno Motore	Cable, Thread Eng. Brake	Cable Frein Moteur	Kabel, Motorbremse	GGP
7	181030070/0	1	Cavo Freno Motore	Cable, Thread Eng. Brake	Cable Frein Moteur	Kabel, Motorbremse	HONDA
8	12727783/0	1	Vite	Screw	Vis	Schraube	
9	12154510/0	1	Dado	Nut	Ecrou	Mutter	
10	181003364/0	1	Leva Trazione	Lever, Driving	Levier Traction	Hebel, Antrieb	Black
10	381003366/0	1	Leva Trazione	Lever, Driving	Levier Traction	Hebel, Antrieb	Yellow
10	381003377/0	1	Leva Trazione	Lever, Driving	Levier Traction	Hebel, Antrieb	Red
11	381030051/0	1	Cavo Comando Trazione	Cable, Rear Drive	Câble, Commande Traction	Kabel, Antrieb	
12	22551640/0	1	Piastrina	Plate	Plaquette	Plättchen	
13	22291050/0	1	Impugnatura Manico Nera	Handgrip Black	Poignée Noire	Handgriff Schwarz	only for handle part no. 381007508/0



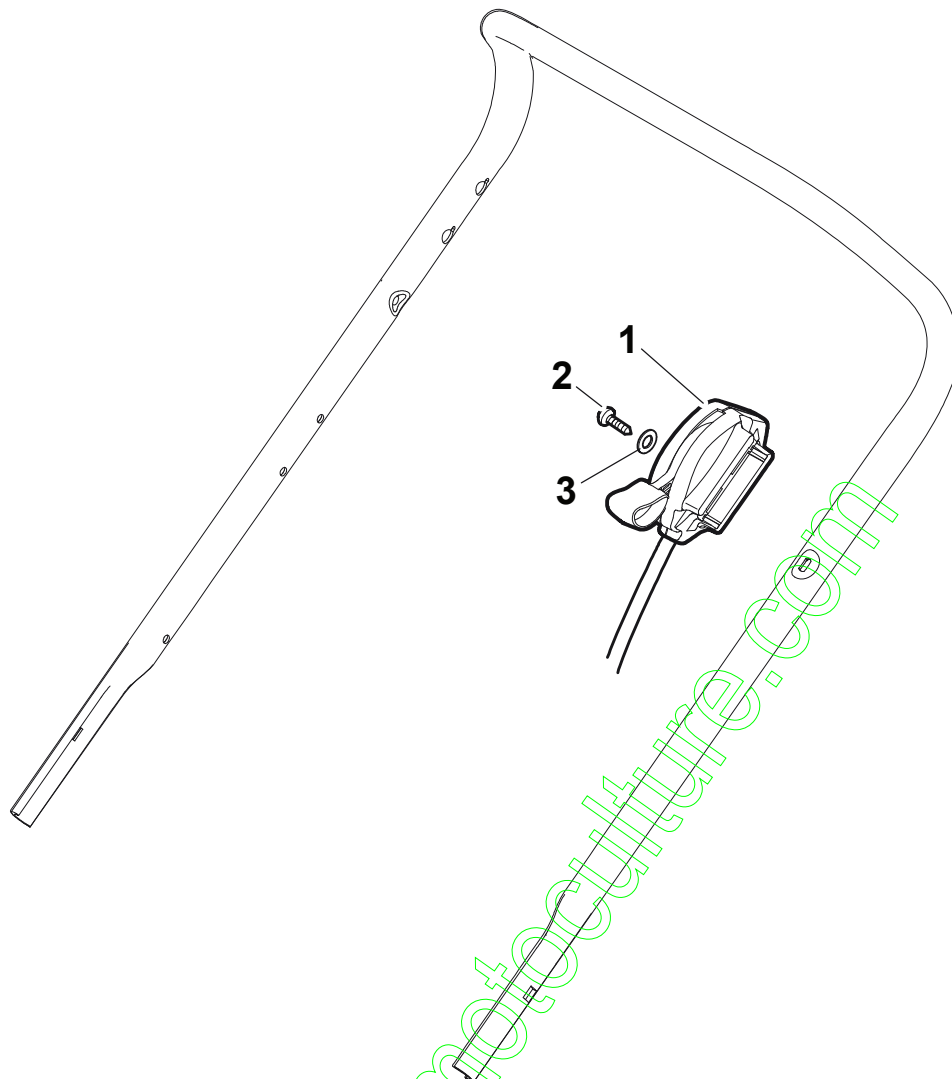
N.	CODE	Q.TY	DESCRIZIONE	DESCRIPTION	DESCRIPTION	BESCHREIBUNG	REMARK
1	381006807/0	1	Manico, Parte Sup. con impugantura in spugna	Handle, Upper Part with sponge handgrip	Mancheron, Partie Superieure avec éponge poignée	Holm, Oberteil Handgriff Schwamm	
1	381006887/0	1	Manico, Parte Sup	Handle, Upper Part	Mancheron, Partie Superieure	Holm, Oberteil	
2	22430313/0	1	Molla Guida	Guide Spring	Ressort De Guide	Feder Führer	
3	12521330/0	1	Rosetta	Washer	Rondelle	Scheibe	
4	12154510/0	1	Dado	Nut	Ecrou	Mutter	
5	118390020/0	1	Fermacavo	Fairlead	Fixation Cable	Kabelbefestigung	
6	181030053/0	1	Cavo Freno Motore	Cable, Thread Eng. Brake	Cable Frein Moteur	Kabel, Motorbremse	534 (GGP 140-160-196 / B&S 450-500-550-625-675)
6	181030053/0	1	Cavo Freno Motore	Cable, Thread Eng. Brake	Cable Frein Moteur	Kabel, Motorbremse	534 (HONDA 135-160-190)
7	322545204/0	1	Fulcro	Fulcrum Pin	Point D'Appui	Gelenkpunkt	
8	22041966/0	2	Bussola	Bush	Douille	Buchse	
9	181003300/0	1	Leva Freno Motore	Lever, Engine Brake	Levier Frein Moteur	Hebel, Motorbremse	
10	381030051/0	1	Cavo Comando Trazione	Cable, Rear Drive	Câble, Commande Traction	Kabel, Antrieb	
11	22041966/0	2	Bussola	Bush	Douille	Buchse	
12	181003301/0	1	Leva Trazione	Lever, Driving	Levier Traction	Hebel, Antrieb	
13	22291050/0	1	Impugnatura Manico Nera	Handgrip Black	Poignée Noire	Handgriff Schwarz	only for handle part no. 381006887/0
14	22551640/0	1	Piastrina	Plate	Plaquette	Plättchen	
15	12728640/0	1	Vite	Screw	Vis	Schraube	



N.	CODE	Q.TY	DESCRIZIONE	DESCRIPTION	DESCRIPTION	BESCHREIBUNG	REMARK
1	381006803/0	1	Manico, Parte Sup	Handle, Upper Part	Mancheron, Partie Superieure	Holm, Oberteil	
2	12727787/0	1	Vite	Screw	Vis	Schraube	
3	22551640/0	1	Piastrina	Plate	Plaquette	Plättchen	
4	381030055/0	1	Cavo Comando Trazione	Cable, Rear Drive	Câble, Comm. Traction	Kabel, Antrieb	
5	181030056/0	1	Cavo Freno Motore	Cable, Thread Engine Brake	Cable Frein Moteur	Kabel, Motorbremse	(GGP 150cc)
5	181030057/0	1	Cavo Freno Motore	Cable, Thread Engine Brake	Cable Frein Moteur	Kabel, Motorbremse	
6	12154510/0	1	Dado	Nut	Ecrou	Mutter	
7	12154510/0	1	Dado	Nut	Ecrou	Mutter	
8	12521330/0	1	Rosetta	Washer	Rondelle	Scheibe	
9	22430313/0	1	Molla Guida	Guide Spring	Ressort De Guide	Feder Führer	
10	381003330/0	1	Leva Freno Motore	Lever, Engine Brake	Levier Frein Moteur	Hebel, Motorbremse	
11	81003297/1	1	Leva Trazione	Driving Lever	Levier Traction	Antriebhebel	
12	12000930/0	1	Anello Elastico	Snap Ring	Anneau Ressort	Sprenging	

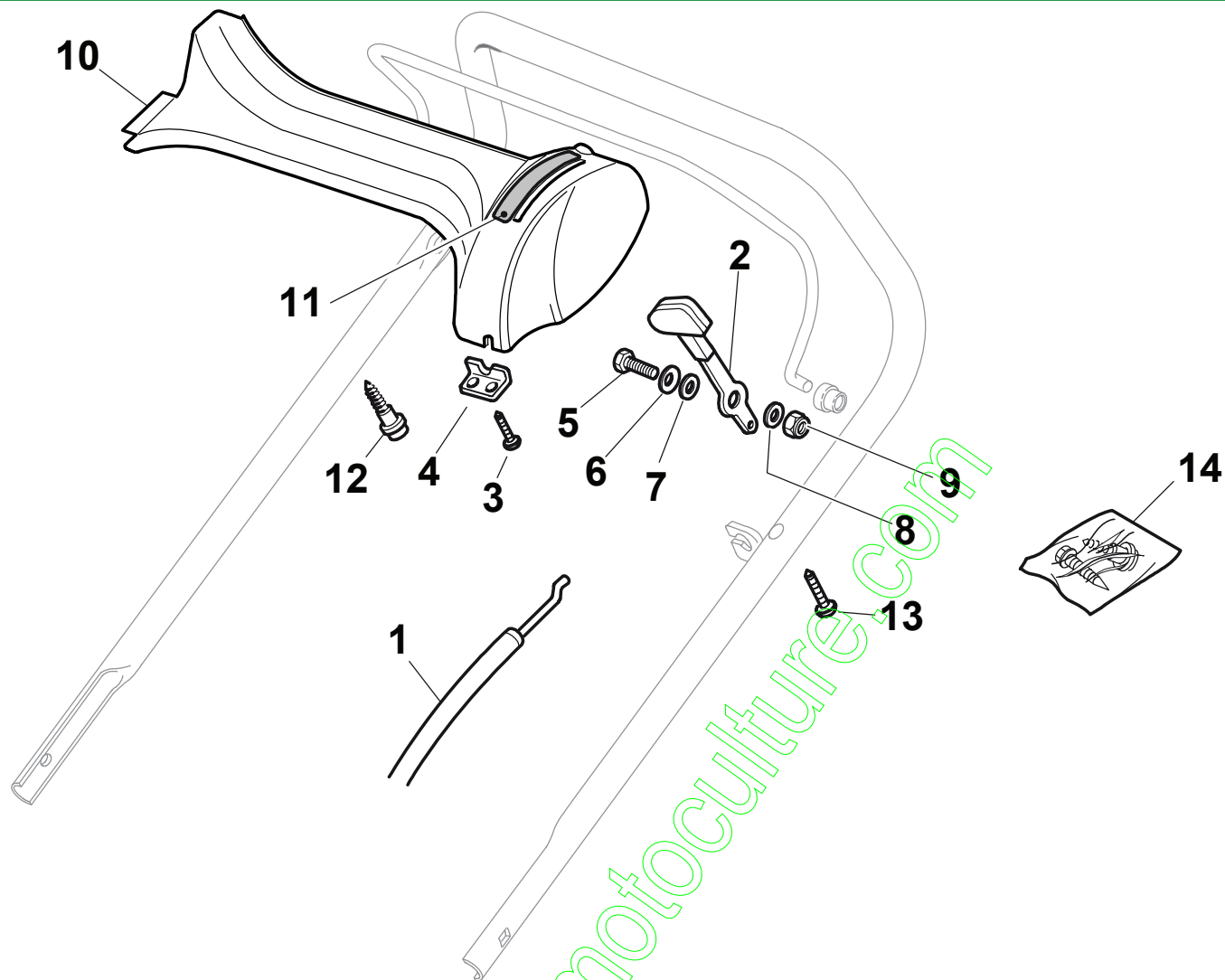


N.	CODE	Q.TY	DESCRIZIONE	DESCRIPTION	DESCRIPTION	BESCHREIBUNG	REMARK
1	381006893/0	1	Manico, Parte Sup	Handle, Upper Part	Mancheron, Partie Superieure	Holm, Oberteil	
2	22430313/0	1	Molla Guida	Guide Spring	Ressort De Guide	Feder Führer	
3	12521330/0	1	Rosetta	Washer	Rondelle	Scheibe	
4	12154510/0	1	Dado	Nut	Ecrou	Mutter	
5	118390020/0	1	Fermacavo	Fairlead	Fixation Cable	Kabelbefestigung	
6	381030060/0	1	Cavo Comando Frizione Meccanic	Cable, Mechanical Clutch	Câble, Commande Embrayage Mecan	Kabel, Mechanische Kupplung	
8	22041966/0	2	Bussola	Bush	Douille	Buchse	
9	181003332/1	1	Leva Freno Motore	Lever, Engine Brake	Levier Frein Moteur	Hebel, Motorbremse	
10	381030051/0	1	Cavo Comando Trazione	Cable, Rear Drive	Câble, Commande Traction	Kabel, Antrieb	
11	22041966/0	2	Bussola	Bush	Douille	Buchse	
12	181003301/0	1	Leva Trazione	Lever, Driving	Levier Traction	Hebel, Antrieb	
13	22291050/0	1	Impugnatura Manico Nera	Handgrip Black	Poignée Noire	Handgriff Schwarz	
14	12728688/0	1	Vite	Screw	Vis	Schraube	
15	322545207/0	1	Protezione Dx	R Protection	Protection D	Rechte Schutz	
16	322545208/0	1	Protezione Sx	L Protection	Protection G	Linke Schutz	
17	22551640/0	1	Piastrina	Plate	Plaquette	Plättchen	
18	12728640/0	1	Vite	Screw	Vis	Schraube	

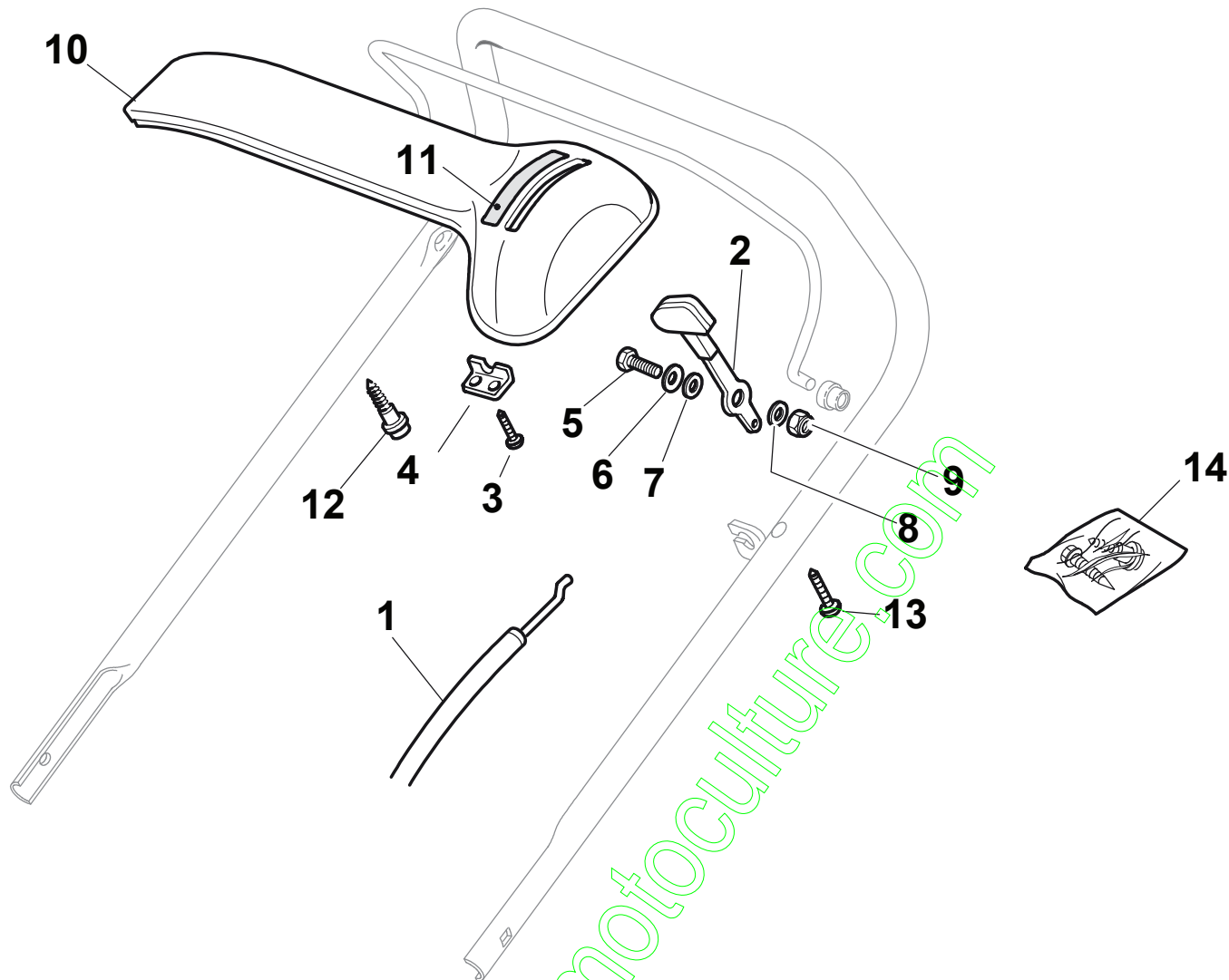


N.	CODE	Q.TY	DESCRIZIONE	DESCRIPTION	DESCRIPTION	BESCHREIBUNG	REMARK
1	181005501/1	1	Cavo Acceleratore	Throttle Cable	Cable, Accelérateur	Gashebel Kabel	(GGP 140-160-190 cc)
1	181005501/1	1	Cavo Acceleratore	Throttle Cable	Cable, Accelérateur	Gashebel Kabel	(Honda GCV 135-160-190)
1	181005502/1	1	Cavo Acceleratore	Throttle Cable	Cable, Accelérateur	Gashebel Kabel	(B&S 450-500-550-625-675-700)
1	181005503/1	1	Cavo Acceleratore	Throttle Cable	Cable, Accelérateur	Gashebel Kabel	(Honda GCV 135-160-190 Autochoke)
1	181005504/1	1	Cavo Acceleratore	Throttle Cable	Cable, Accelérateur	Gashebel Kabel	(Ggp 150cc)
1	181005505/1	1	Cavo Acceleratore	Throttle Cable	Cable, Accelérateur	Gashebel Kabel	534 BBC (B&S 675)
1	181005506/1	1	Cavo Acceleratore	Throttle Cable	Cable, Accelérateur	Gashebel Kabel	534 BBC (Honda GCV 190)
2	12735103/0	1	Vite	Screw	Vis	Schraube	
3	12523040/0	1	Rosetta	Washer	Rondelle	Scheibe	

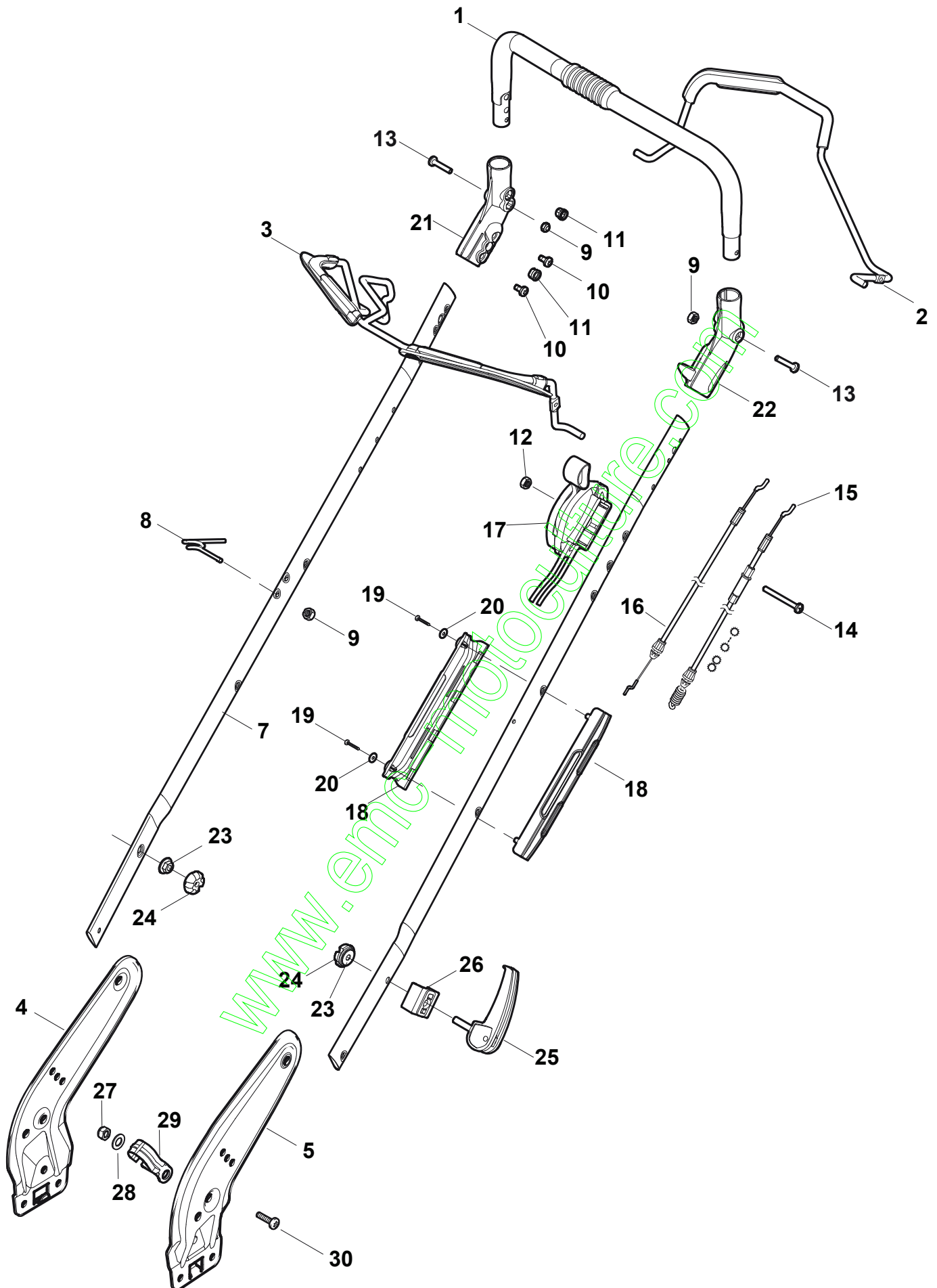




N.	CODE	Q.TY	DESCRIZIONE	DESCRIPTION	DESCRIPTION	BESCHREIBUNG	REMARK
1	81007160/0	1	Cavo Acceleratore	Throttle Cable	Cable, Accelérateur	Gashebel Kabel	
2	81007221/0	1	Leva, Acceleratore	Lever, Throttle	Levier,	Hebel, Beschleuniger	(B&S 450-500 Series - GGP 150 cc)
2	81007280/2	1	Leva, Acceleratore	Lever, Throttle	Levier,	Hebel, Beschleuniger	(B&S 625-675-700 Series - Honda - GGP 140-160-196 cc)
3	12735105/0	2	Vite	Screw	Vis	Schraube	
4	22981467/0	1	Piastrina	Plate	Plaquette	Platte	
5	12791500/0	1	Vite	Screw	Vis	Schraube	
6	12530060/0	1	Rosetta Elastica	Elastic Washer	Rondelle Elastique	Elastische Scheibe	
7	12523040/0	1	Rosetta	Washer	Rondelle	Scheibe	
8	12523040/0	1	Rosetta	Washer	Rondelle	Scheibe	
9	12154510/0	1	Dado	Nut	Ecrou	Mutter	
10	22120172/0	1	Cruscotto Nero	Dash Board Black	Console Noire	Konsole Schwarze	
10	22120173/0	1	Cruscotto Rosso	Dash Board Red	Console Rouge	Konsole Rote	
10	22120174/0	1	Cruscotto Giallo	Dash Board Yellow	Console Jaune	Konsole Gelbe	
11	114356743/1	1	Etichetta	Label	Etiquette	Etikette	(GGP)
11	114356743/1	1	Etichetta	Label	Etiquette	Etikette	(Honda)
11	114356744/1	1	Etichetta	Label	Etiquette	Etikette	(B&S)
11	114356906/1	1	Etichetta	Label	Etiquette	Etikette	(B&S 700 series DOV)
11	114357646/1	1	Etichetta	Label	Etiquette	Etikette	(Honda GCV 160-190 Autochoke)
12	22943006/0	1	Vite	Screw	Vis	Schraube	
13	12728460/0	1	Vite	Screw	Vis	Schraube	
14	81008609/0	1	Dotazione Viteria Cruscotto	Outfit, Dash-Board Screws	Dotation Visserie Consolle	Satz, Konsole Schrauben	



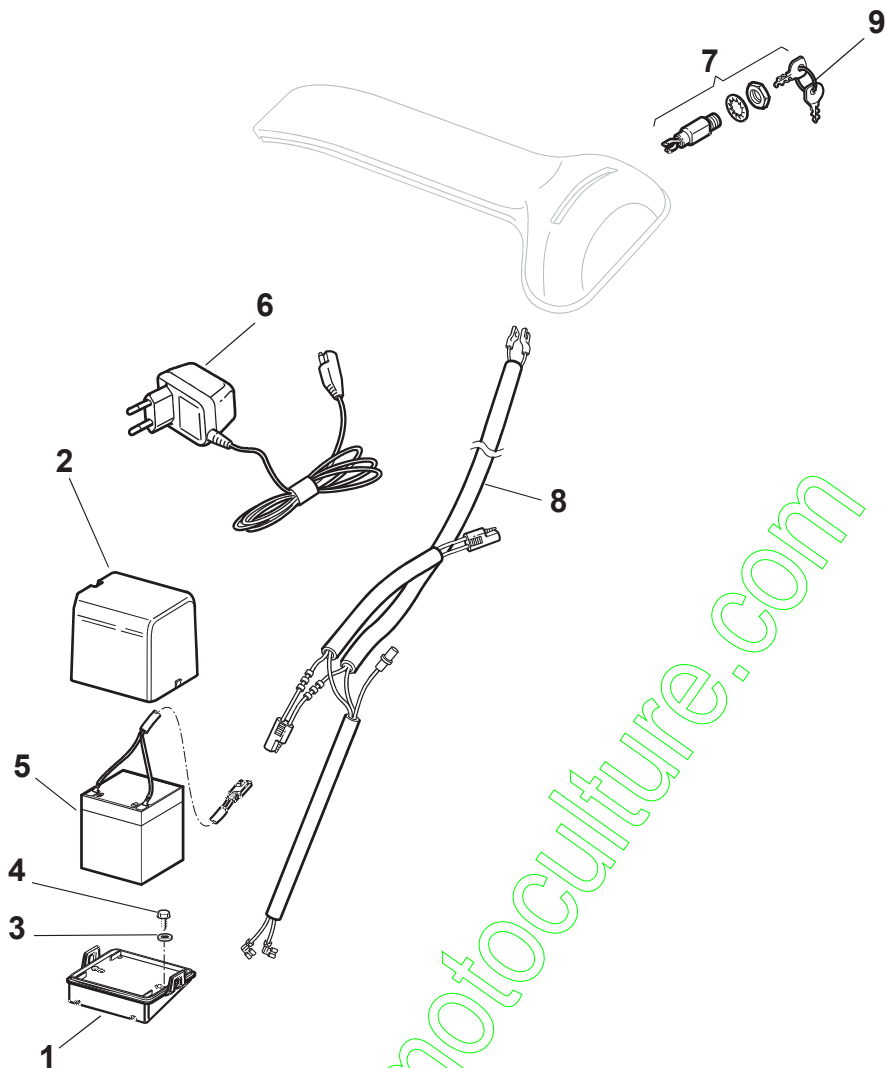
N.	CODE	Q.TY	DESCRIZIONE	DESCRIPTION	DESCRIPTION	BESCHREIBUNG	REMARK
1	81007160/0	1	Cavo Acceleratore	Throttle Cable	Cable, Accelérateur	Gashebel Kabel	
2	81007221/0	1	Leva, Acceleratore	Lever, Throttle	Levier,	Hebel, Beschleuniger	(B&S 450-500 Series - GGP 150 cc)
2	81007280/2	1	Leva, Acceleratore	Lever, Throttle	Levier,	Hebel, Beschleuniger	(B&S 625-675-700 Series - Honda - GGP 140-160-196 cc)
3	12735105/0	2	Vite	Screw	Vis	Schraube	
4	22981467/0	1	Piastrina	Plate	Plaquette	Platte	
5	12791500/0	1	Vite	Screw	Vis	Schraube	
6	12530060/0	1	Rosetta Elastica	Elastic Washer	Rondelle Elastique	Elastische Scheibe	
7	12523040/0	1	Rosetta	Washer	Rondelle	Scheibe	
8	12523040/0	1	Rosetta	Washer	Rondelle	Scheibe	
9	12154510/0	1	Dado	Nut	Ecrou	Mutter	
10	22120152/0	1	Cruscotto Giallo	Dash Board Yellow	Console Jaune	Konsole Gelbe	
10	22120154/0	1	Cruscotto Rosso	Dash Board Red	Console Rouge	Konsole Rote	
10	22120158/0	1	Cruscotto Nero	Dash Board Black	Console Noire	Konsole Schwarze	
11	114356743/1	1	Etichetta	Label	Etiquette	Etikette	(GGP)
11	114356743/1	1	Etichetta	Label	Etiquette	Etikette	(Honda)
11	114356744/1	1	Etichetta	Label	Etiquette	Etikette	(B&S)
11	114356906/1	1	Etichetta	Label	Etiquette	Etikette	(B&S 700 series DOV)
11	114357646/1	1	Etichetta	Label	Etiquette	Etikette	(Honda GCV 160-190 Autochoke)
12	22943006/0	1	Vite	Screw	Vis	Schraube	
13	12728460/0	1	Vite	Screw	Vis	Schraube	
14	81008609/0	1	Dotazione Viteria Cruscotto	Outfit, Dash-Board Screws	Dotation Visserie Console	Satz, Konsole Schrauben	



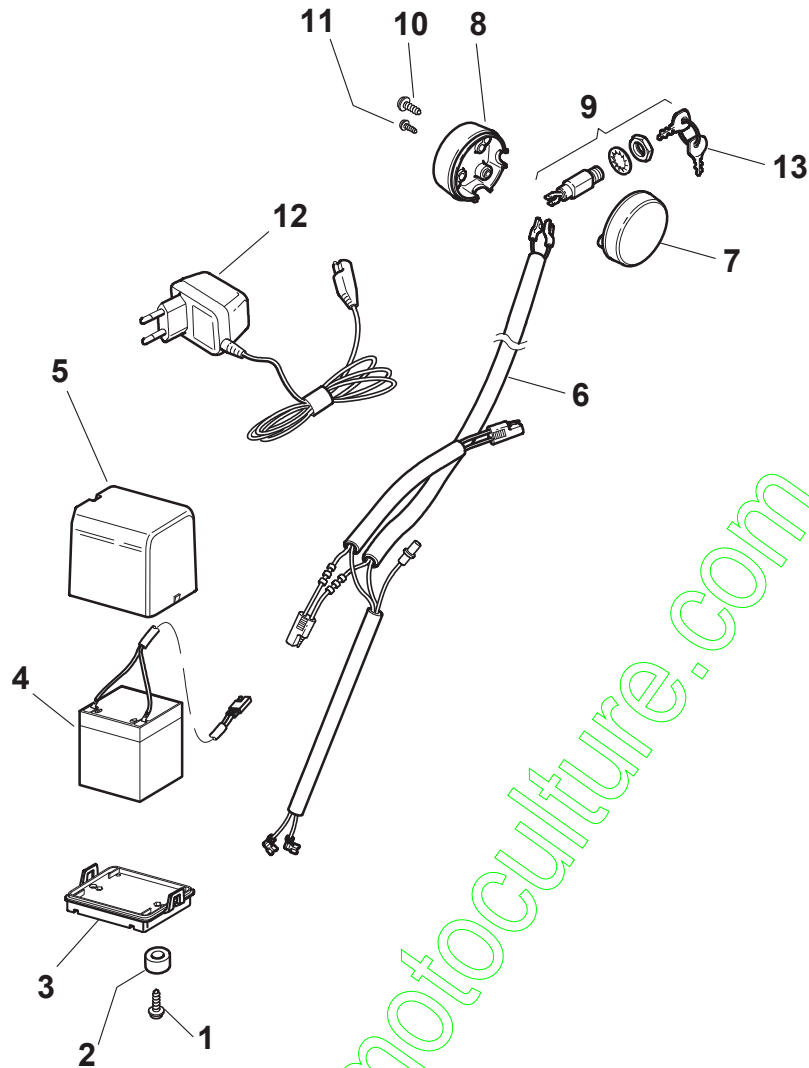
NTL 534 TR 4S - NTL 534 TR/E 4S

N.	CODE	Q.TY	DESCRIZIONE	DESCRIPTION	DESCRIPTION	BESCHREIBUNG	REMARK
1	381006670/2	1	Impugnatura Manico	Handgrip	Poignée	Handgriff	
2	381003349/0	1	Leva Trazione	Lever, Driving	Levier Traction	Hebel, Antrieb	
3	381003344/0	1	Leva Freno Motore	Lever, Engine Brake	Levier Frein Moteur	Hebel, Motorbremse	
4	381005149/0	1	Staffa Dx	Bracket, R	Bride D	Pratze, Rechte	
5	381005151/0	1	Staffa Sx	Bracket, L	Bride G	Pratze, Linke	
7	381006773/0	1	Manico Nero	Handle Black	Mancheron Noire	Holm Schwarz	
7	381006774/0	1	Manico Grigio	Handle Grey	Mancheron Gris	Holm Grau	
8	22430309/0	1	Molla Guida	Guide Spring	Ressort De Guide	Feder Führer	
9	12154330/0	2	Dado	Nut	Ecrou	Mutter	
10	112735662/1	4	Vite	Screw	Vis	Schraube	
11	322041967/0	4	Bussola	Bush	Douille	Buchse	
12	12154510/0	3	Dado	Nut	Ecrou	Mutter	
13	112728721/0	2	Vite	Screw	Vis	Schraube	
14	12727786/0	1	Vite	Screw	Vis	Schraube	
15	181030065/0	1	Cavo Freno Motore	Cable, Thread Eng. Brake	Cable Frein Moteur	Kabel, Motorbremse	
16	381030067/0	1	Cavo Comando Trazione	Cable, Rear Drive	Câble, Commande Traction	Kabel, Antrieb	
17	181005501/1	1	Cavo Acceleratore	Throttle Cable	Cable, Accelérateur	Gashebel Kabel	(GGP 140-160-190 cc)
17	181005502/1	1	Cavo Acceleratore	Throttle Cable	Cable, Accelérateur	Gashebel Kabel	(B&S 450-500-550-625-675-700)
17	181005503/1	1	Cavo Acceleratore	Throttle Cable	Cable, Accelérateur	Gashebel Kabel	(Honda GCV 135-160-190)
18	322806644/0	1	Protezione	Protection	Protection	Schutz	
19	12727812/0	2	Vite	Screw	Vis	Schraube	
20	112523000/1	2	Rosetta	Washer	Rondelle	Scheibe	
21	322488301/0	1	Supporto	Support	Support	Halter	
22	322488303/0	1	Supporto	Support	Support	Halter	
23	112154220/0	2	Dado	Nut	Ecrou	Mutter	
24	322399835/0	2	Manopolina	Knob	Poignée	Griff	
25	381003253/0	2	Maniglia	Handle	Poignée	Griff	
26	322680017/0	2	Supporto	Support	Support	Halter	
27	12155000/0	1	Dado	Nut	Ecrou	Mutter	
28	25038002/1	1	Bussola	Bush	Douille	Buchse	
29	322192156/0	1	Fascetta	Fair Led	Fixation De Cable	Kabelbefestigung	
30	12760605/0	1	Vite	Screw	Vis	Schraube	

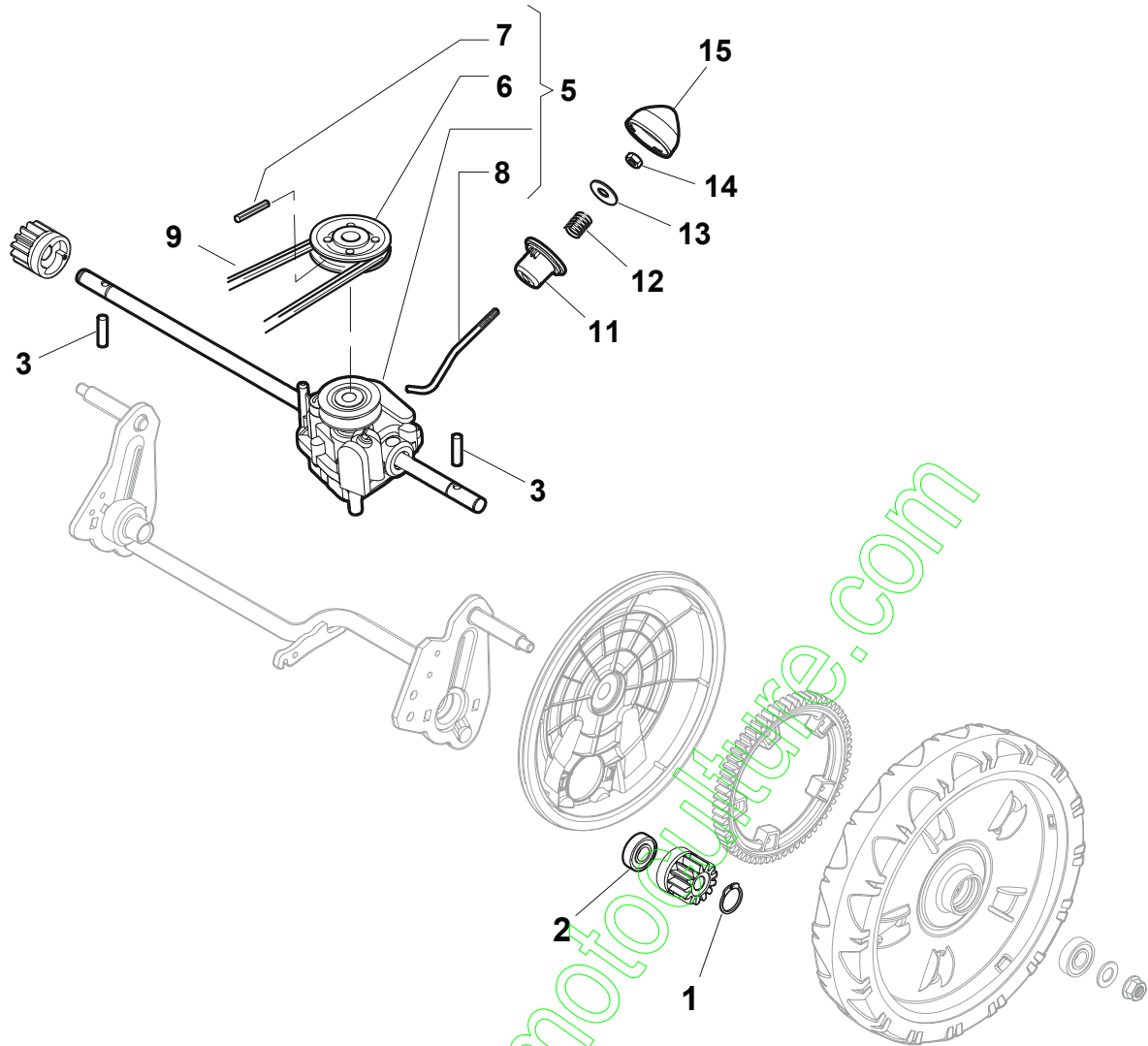
www.emc-motoculture.com



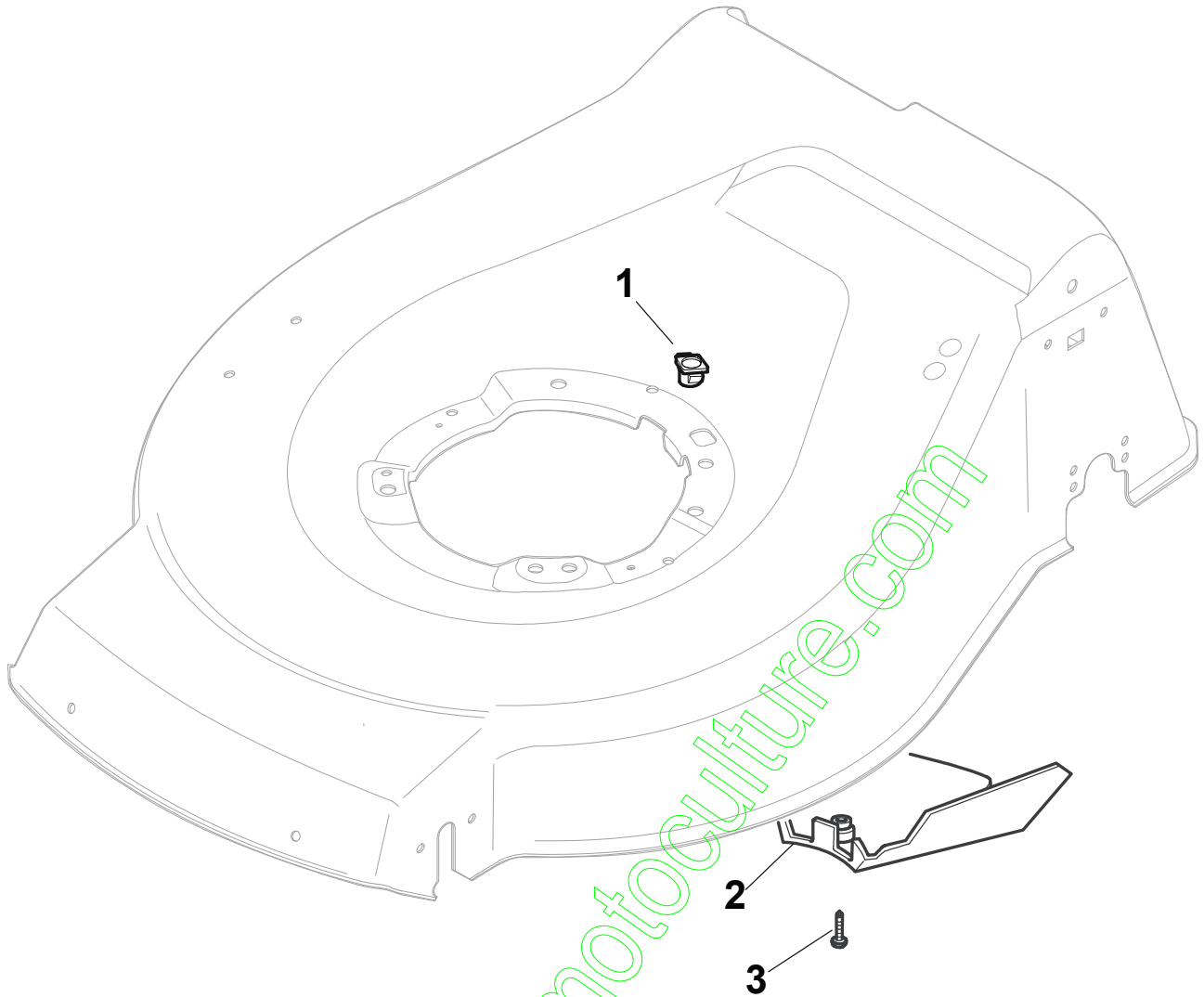
N.	CODE	Q.TY	DESCRIZIONE	DESCRIPTION	DESCRIPTION	BESCHREIBUNG	REMARK
1	22785123/0	1	Supporto Batteria	Support, Battery	Support Batterie	Halter, Batterie	
2	22109530/0	1	Coperchio	Cover	Couvercle	Deckel	
3	12521310/0	2	Rondella	Washer	Rondelle	Scheibe	
4	12731590/0	2	Vite	Screw	Vis	Schraube	
5	18120052/0	1	Batteria	Battery	Batterie	Batterie	
6	18204120/0	1	Carica Batteria	Battery Charger	Chargeur De	Ladgerät	(CE)
6	18204121/0	1	Carica Batteria	Battery Charger	Chargeur De	Ladgerät	(UK)
7	18450050/0	1	Interruttore	Switch	Interrupteur	Schalter	
8	118204192/3	1	Cavo Avviamento	Cable, Start	Cable Démarrage	Kabel, Start	(B&S - GGP)
8	18204198/0	1	Cavo Avviamento	Cable, Start	Cable Démarrage	Kabel, Start	(Honda)
9	18210016/1	1	Chiave Avviamento	Starting Key	Clef A Demarrage	Schlüssel Für Start	



N.	CODE	Q.TY	DESCRIZIONE	DESCRIPTION	DESCRIPTION	BESCHREIBUNG	REMARK
1	12728535/0	2	Vite	Screw	Vis	Schraube	
1	12728702/0	2	Vite	Screw	Vis	Schraube	
1	22785123/0	1	Supporto Batteria	Support, Battery	Support Batterie	Halter, Batterie	
2	22109530/0	1	Coperchio	Cover	Couvercle	Deckel	
2	25160012/0	2	Distanziale	Spacer	Entretoise	Distanzring	
3	12521310/0	2	Rondella	Washer	Rondelle	Scheibe	
3	22785122/0	1	Supporto Batteria	Support, Battery	Support Batterie	Halter, Batterie	
4	12731590/0	2	Vite	Screw	Vis	Schraube	
4	18120052/0	1	Batteria	Battery	Batterie	Batterie	
5	18120052/0	1	Batteria	Battery	Batterie	Batterie	
5	22109530/0	1	Coperchio	Cover	Couvercle	Deckel	
6	18204120/0	1	Carica Batteria	Battery Charger	Chargeur De	Ladgerät	(CE)
6	18204121/0	1	Carica Batteria	Battery Charger	Chargeur De	Ladgerät	(UK)
6	18204197/0	1	Cavo Avviamento	Cable, Start	Cable Démarrage	Kabel, Start	
7	118204192/3	1	Cavo Avviamento	Cable, Start	Cable Démarrage	Kabel, Start	(B&S - GGP)
7	18204198/0	1	Cavo Avviamento	Cable, Start	Cable Démarrage	Kabel, Start	(Honda)
7	22722801/0	1	Protezione Sx	L Protection	Protection G	Linke Schutz	
8	22722800/0	1	Protezione Dx	R Protection	Protection D	Rechte Schutz	
9	18450050/0	1	Interruttore	Switch	Interrupteur	Schalter	
9	22722801/0	1	Protezione Sx	L Protection	Protection G	Linke Schutz	
10	12728300/0	2	Vite	Screw	Vis	Schraube	
10	12728702/0	2	Vite	Screw	Vis	Schraube	
11	12728691/0	1	Vite	Screw	Vis	Schraube	
12	18204120/0	1	Carica Batteria	Battery Charger	Chargeur De	Ladgerät	(CE)
12	18204121/0	1	Carica Batteria	Battery Charger	Chargeur De	Ladgerät	(UK)
12	18450050/0	1	Interruttore	Switch	Interrupteur	Schalter	
13	18210016/1	1	Chiave Avviamento	Starting Key	Clef A Demarrage	Schlüssel Für Start	

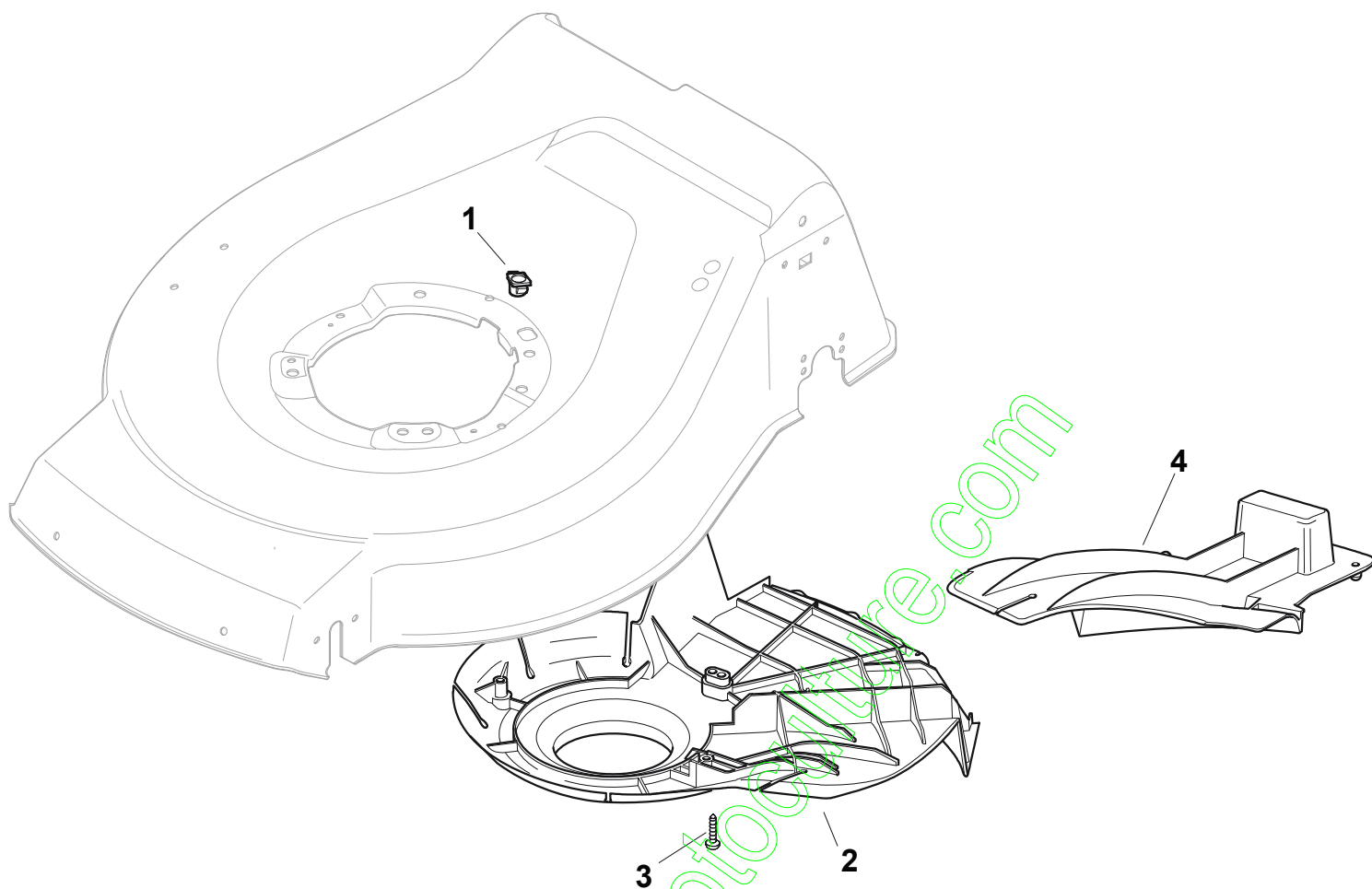


N.	CODE	Q.TY	DESCRIZIONE	DESCRIPTION	DESCRIPTION	BESCHREIBUNG	REMARK
1	12608600/0	2	Seeger	Seeger	Seeger	Seeger	
2	19216035/0	2	Cuscinetto	Bearing	Coussinet	Lager	
3	22753000/0	2	Spina	Pin	Goupille	Stift	
5	81003092/0	1	Gruppo Trazione	Gear Box	Groupe Traction	Antrieb	
6	22601904/0	1	Puleggia	Pulley	Poulie	Riemenscheibe	
7	12645700/0	1	Spina	Pin	Goupille	Stift	
8	22033283/0	1	Asta Regolazione	Adjustment Rod	Tige Reglage	Verstellungstange	
9	35063902/0	1	Cinghia Z 29.5	Belt Z 29.5	Courroie Z 29.5	Riemen Z 29.5	
11	22041957/1	1	Bussola	Bush	Douille	Buchse	
12	22450063/0	1	Molla	Spring	Ressort	Feder	
13	22680009/0	1	Rosetta	Washer	Rondelle	Scheibe	
14	12154510/0	1	Dado	Nut	Ecrou	Mutter	
15	22110230/0	1	Tappo	Cap	Bouchon	Gummistopfen	



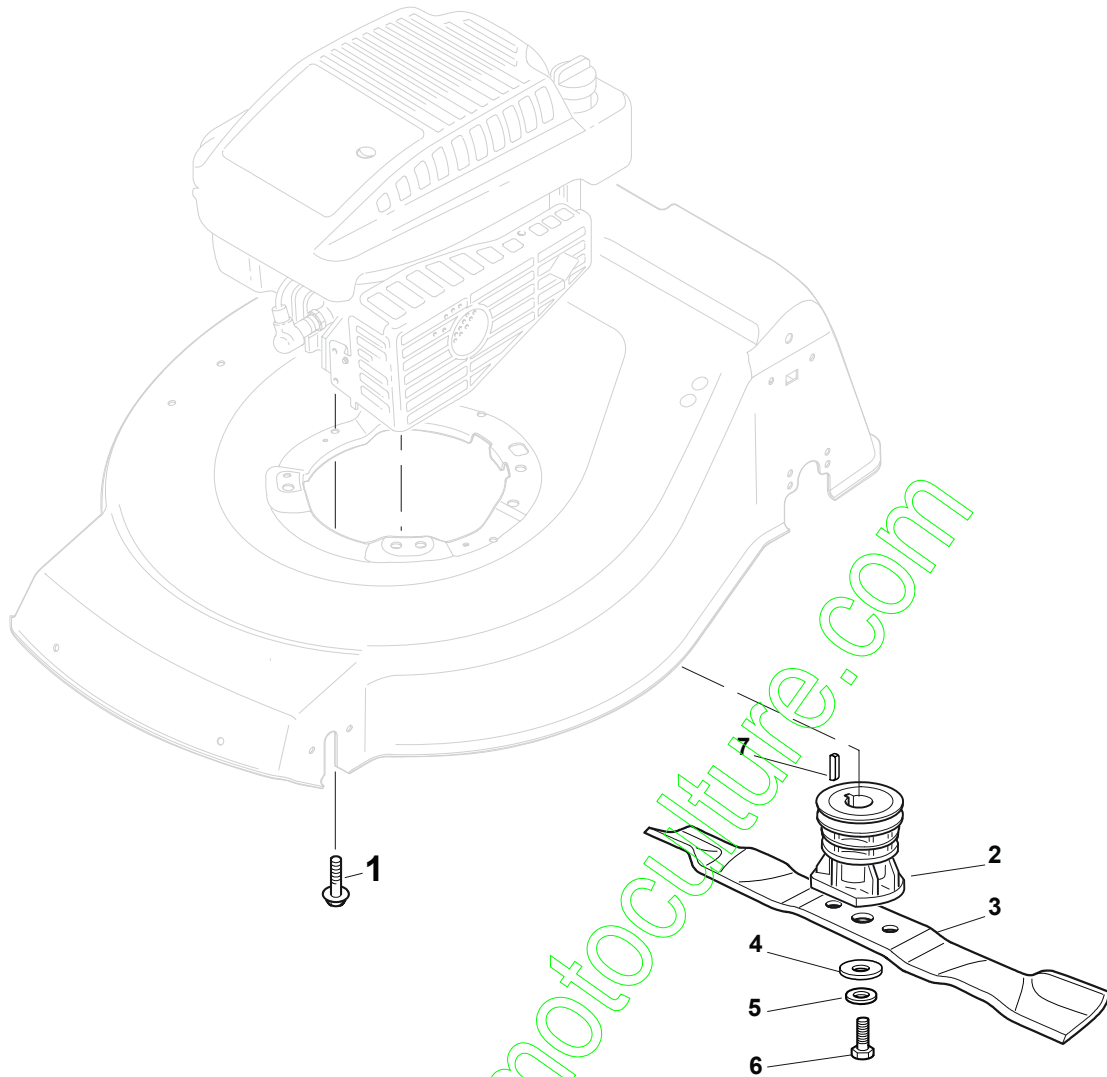
N.	CODE	Q.TY	DESCRIZIONE	DESCRIPTION	DESCRIPTION	BESCHREIBUNG	REMARK
1	22291150/0	1	Inserto In Gomma	Rubber Insert	Insert De	Gummi Einsatz	
2	22060193/0	1	Carter Cinghia	Protection, Belt	Protection	Schutz, Riemen	
3	12728530/0	1	Vite	Screw	Vis	Schraube	



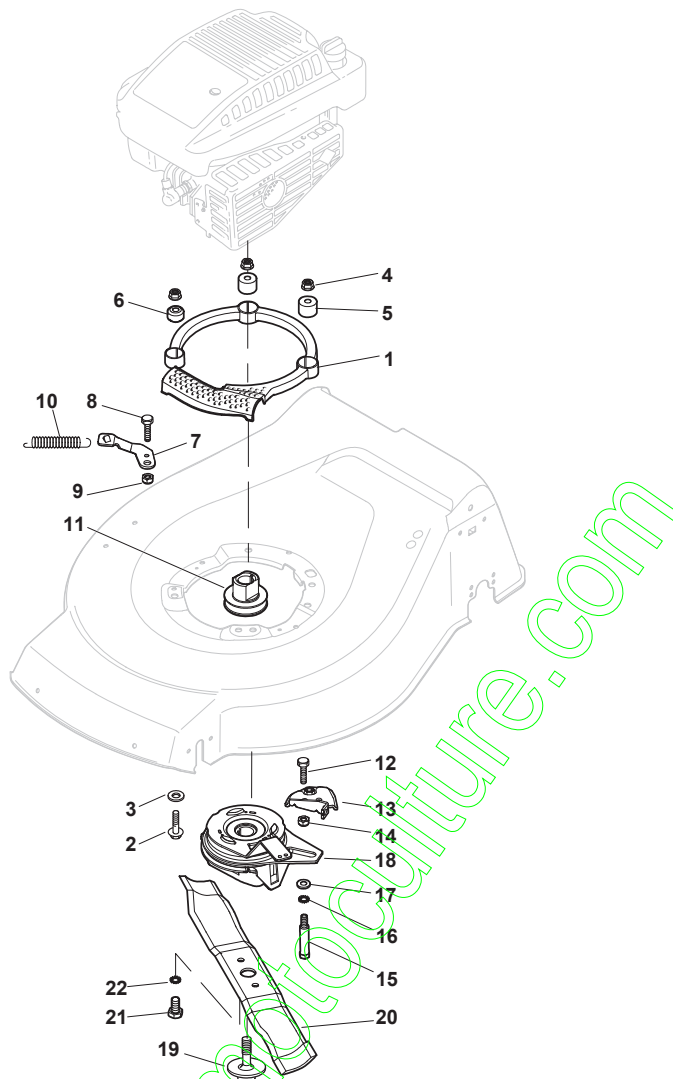


N.	CODE	Q.TY	DESCRIZIONE	DESCRIPTION	DESCRIPTION	BESCHREIBUNG	REMARK
1	22291150/0	1	Inserto In Gomma	Rubber Insert	Insert De	Gummi Einsatz	
2	322060197/2	1	Carter Cinghia	Protection, Belt	Protection	Schutz, Riemen	
2	322060238/0	1	Carter Cinghia	Protection, Belt	Protection	Schutz, Riemen	only for BBC
3	12728530/0	3	Vite	Screw	Vis	Schraube	
4	22140222/0	1	Deflettore	Deflector	Deflecteur	Deflektor	

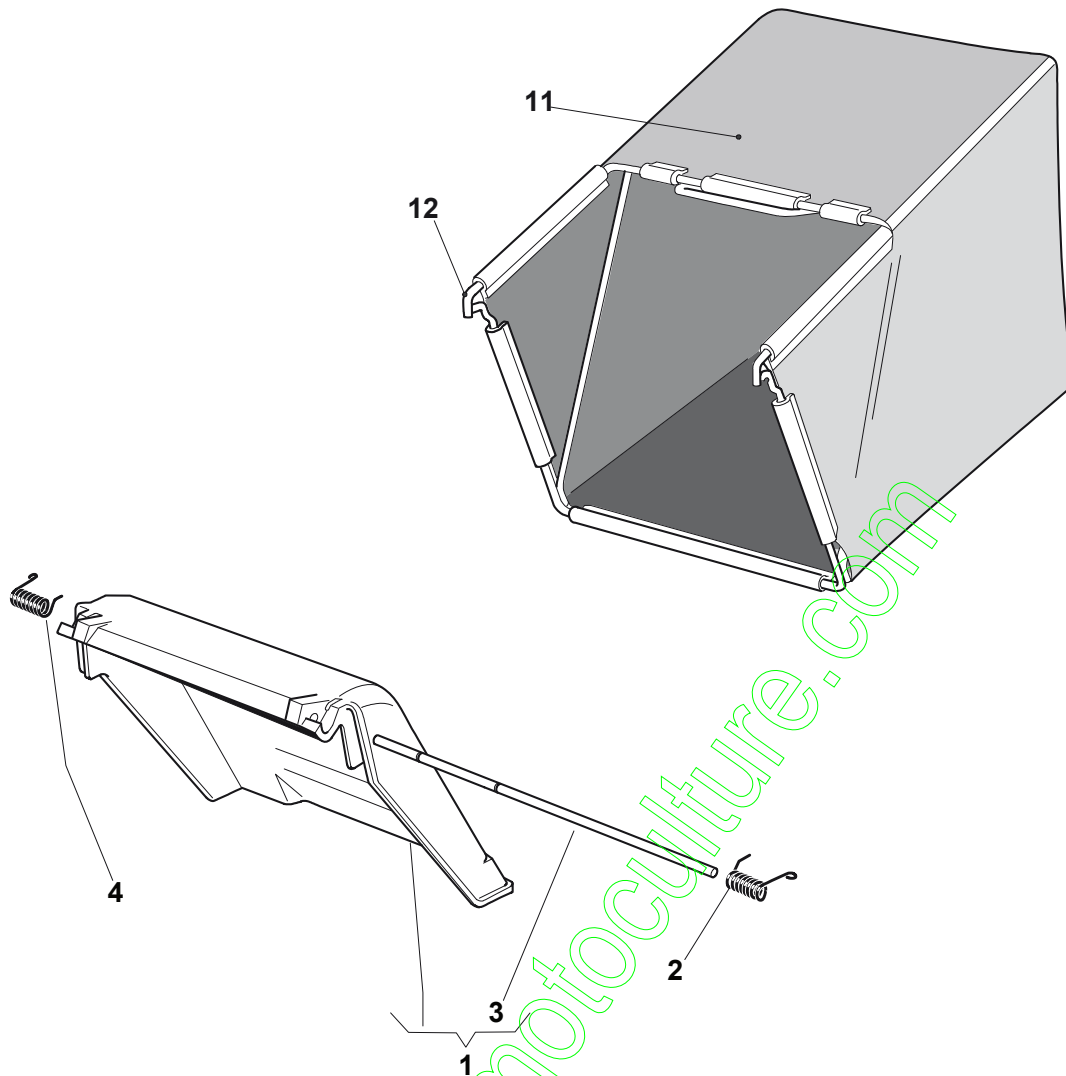
www.eric-motoculture.com



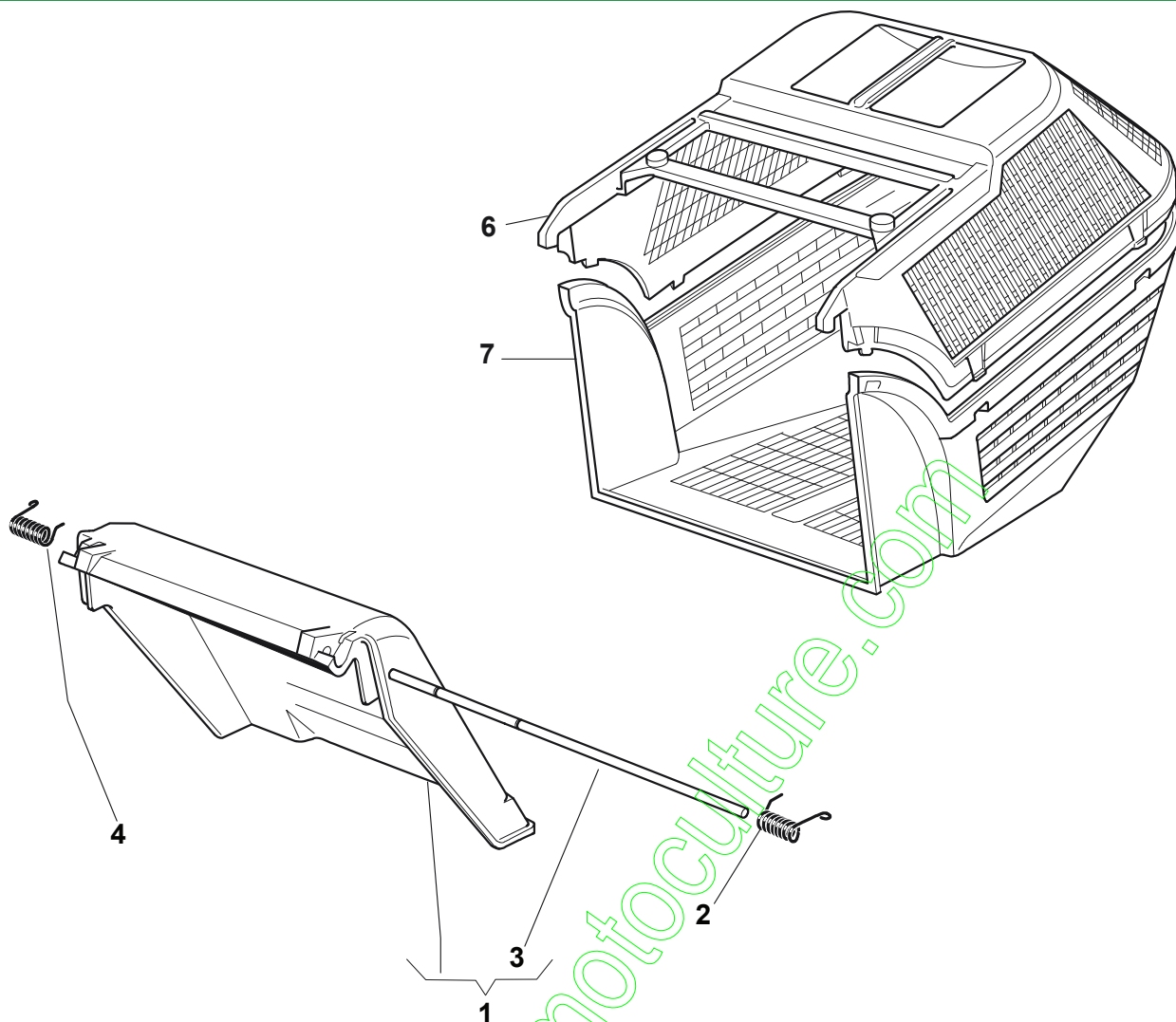
N.	CODE	Q.TY	DESCRIZIONE	DESCRIPTION	DESCRIPTION	BESCHREIBUNG	REMARK
1	112735108/1	2	Vite	Screw	Vis	Schraube	(GGP 196cc)
1	112735108/1	3	Vite	Screw	Vis	Schraube	
1	112735109/1	1	Vite	Screw	Vis	Schraube	(GGP 196cc)
2	122465607/3	1	Mozzo, Albero Motore Ø 22.2	Hub, Crankshaft Ø 22.2	Moyeu, Arbre Moteur Ø 22.2	Halter, Motorwelle Ø 22.2	(B&S/GGP)
2	122465608/2	1	Mozzo, Albero Motore Ø 25	Hub, Crankshaft Ø 25	Moyeu, Arbre Moteur Ø 25	Halter, Motorwelle Ø 25	(Honda)
3	81004381/1	1	Coltello Standard	Blade Standard	Lame Standard	Messer Standard	
4	22160400/0	1	Disco Elastico	Elastic Washer	Rondelle Elastique	Elastischescheibe	
5	12523080/0	1	Rosetta	Washer	Rondelle	Scheibe	
6	12735698/0	1	Vite	Screw	Vis	Schraube	
7	12139100/0	1	Linguetta, Albero Motore Ø 22.2	Feather, Crankshaft Ø 22.2	Clavette, Arbre Moteur Ø 22.2	Keil, Motorwelle Ø 22.2	(B&S/GGP)
7	12139150/0	1	Linguetta, Albero Motore Ø 25	Feather, Crankshaft Ø 25	Clavette, Arbre Moteur Ø 25	Keil, Motorwelle Ø 25	(Honda)



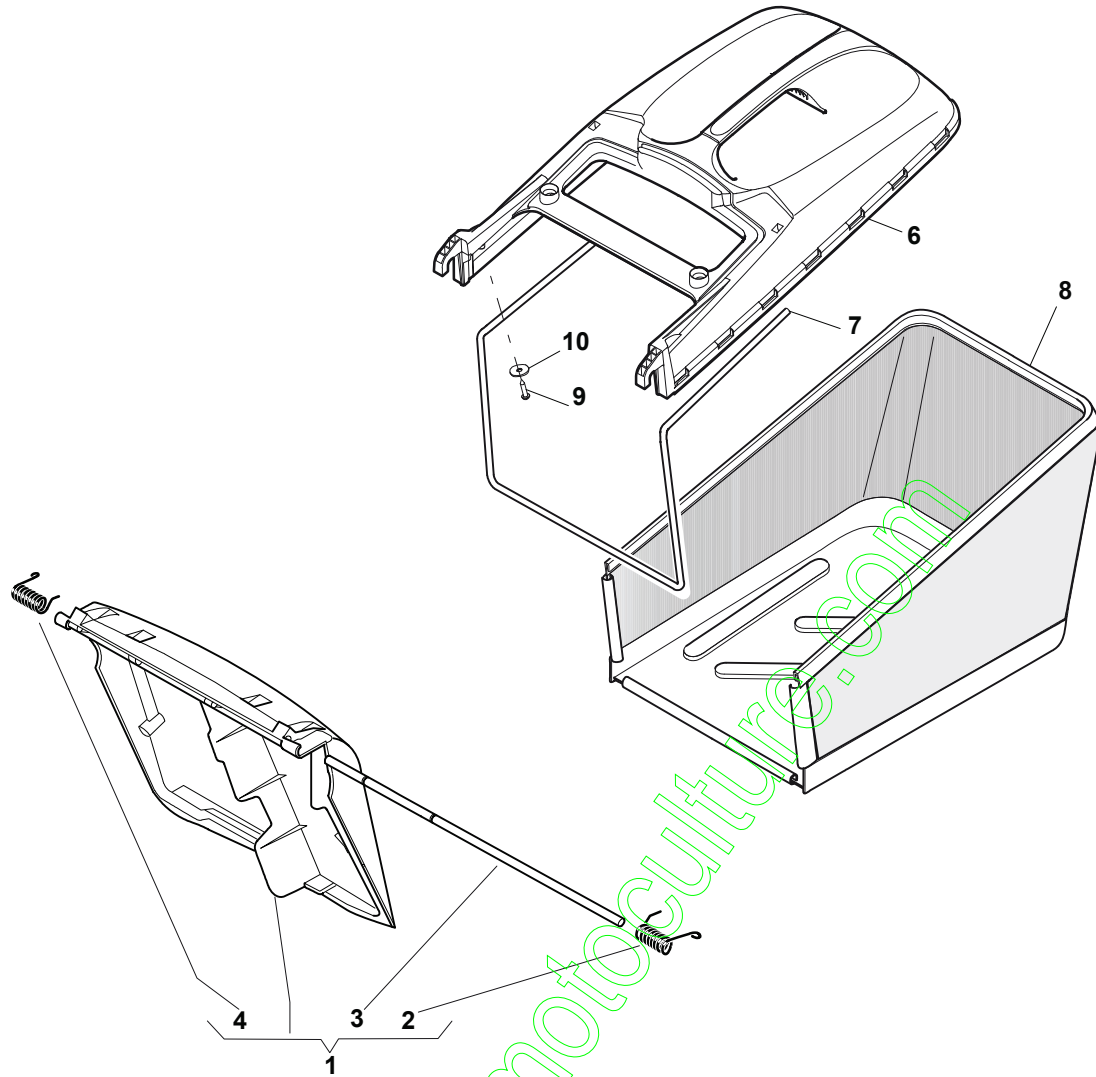
N.	CODE	Q.TY	DESCRIZIONE	DESCRIPTION	DESCRIPTION	BESCHREIBUNG	REMARK
1	322170963/0	1	Protezione	Protection	Protection	Schutz	
2	12691700/0	2	Vite	Screw	Vis	Schraube	(B&S)
2	12691700/0	3	Vite	Screw	Vis	Schraube	(Honda)
2	12692050/0	1	Vite	Screw	Vis	Schraube	(B&S)
3	12521350/0	3	Rosetta	Washer	Rondelle	Scheibe	
4	12154210/0	3	Dado	Nut	Ecrou	Mutter	
5	22170835/0	2	Distanziale	Spacer	Entretoise	Distanzring	
6	122170836/1	1	Distanziale	Spacer	Entretoise	Distanzring	
7	322551671/0	1	Supporto	Support	Support	Halter	
8	112791200/1	1	Vite	Screw	Vis	Schraube	
9	12154510/0	1	Dado	Nut	Ecrou	Mutter	
10	122446188/0	1	Molla	Spring	Ressort	Feder	
11	122601922/0	1	Puleggia, Albero Motore Ø 22.2	Pulley, Crankshaft Ø 22.2	Poulie, Arbre Moteur Ø 22.2	Scheibe, Motorwelle Ø 22.2	(B&S/GGP)
11	122601923/0	1	Puleggia, Albero Motore Ø 25	Pulley, Crankshaft Ø 25	Poulie, Arbre Moteur Ø 25	Scheibe, Motorwelle Ø 25	(Honda)
12	112791200/1	2	Vite	Screw	Vis	Schraube	
13	381545335/0	1	Supporto	Support	Support	Halter	
14	12154510/0	2	Dado	Nut	Ecrou	Mutter	
15	122534127/0	1	Piolo	Pin	Bondon	Dübel	
16	12540060/0	1	Rondella	Washer	Rondelle	Scheibe	
17	22671653/0	1	Rosetta	Washer	Rondelle	Scheibe	
18	118399051/0	1	Ass. Frizione Meccanica	Mechanical Clutch	Embrayage Mecanique	Mechanische Kupplung	
19	12735460/0	1	Vite	Screw	Vis	Schraube	
20	181004382/0	1	Coltello Standard	Blade Standard	Lame Standard	Messer Standard	
21	12540060/0	2	Rondella	Washer	Rondelle	Scheibe	
22	12794110/0	2	Vite	Screw	Vis	Schraube	



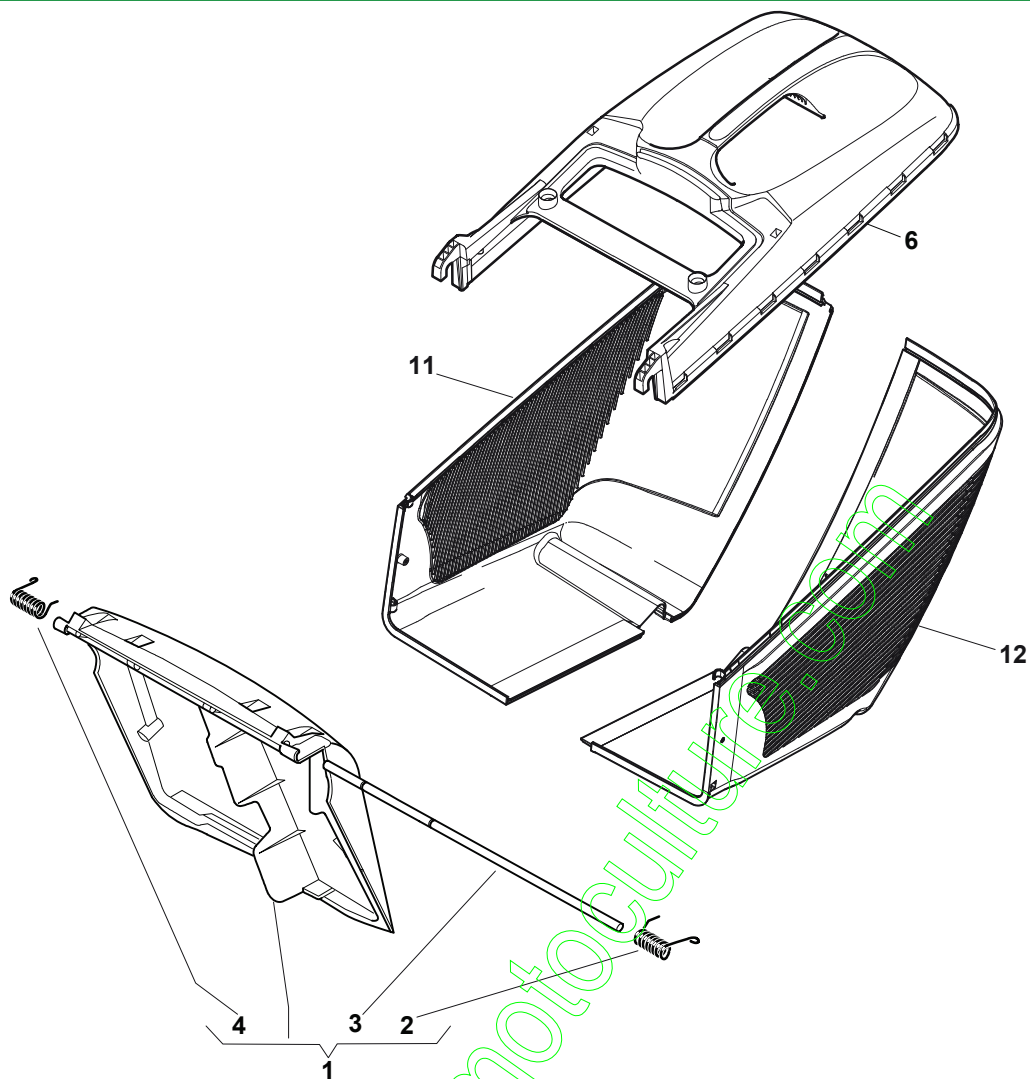
N.	CODE	Q.TY	DESCRIZIONE	DESCRIPTION	DESCRIPTION	BESCHREIBUNG	REMARK
1	381007308/2	1	Parasassi	Stone-Guard	Pare-Pierres	Prallblech	
2	122450466/0	1	Molla Sx	L Spring	Ressort G	Linke Feder	
3	122517882/0	1	Perno	Pin	Pivot	Bolzen	
4	122450465/0	1	Molla Dx	R Spring	Ressort D	Rechte Feder	
6	322486073/1	1	Sacco, Parte Sup	Grass-Box Upper	Sac, Partie Superieure	Korb, Oberteil	
11	81002105/2	1	Sacco, Tela	Box, Fabric	Sac, Toile	Sack, Tuck	
12	81006418/0	1	Telaio Sacco	Chassis Box	Châssis Bac	Rahmen Sack	



N.	CODE	Q.TY	DESCRIZIONE	DESCRIPTION	DESCRIPTION	BESCHREIBUNG	REMARK
1	381007308/2	1	Parasassi	Stone-Guard	Pare-Pierres	Prallblech	
2	122450466/0	1	Molla Sx	L Spring	Ressort G	Linke Feder	
3	122517882/0	1	Perno	Pin	Pivot	Bolzen	
4	122450465/0	1	Molla Dx	R Spring	Ressort D	Rechte Feder	
6	322486073/1	1	Sacco, Parte Sup	Grass-Box, Upper	Sac, Partie Superieure	Korb, Oberteil	
7	22486074/0	1	Sacco, Parte Inf	Grass-Box, Lower	Sac, Partie Inferieure	Korb, Unterteil	



N.	CODE	Q.TY	DESCRIZIONE	DESCRIPTION	DESCRIPTION	BESCHREIBUNG	REMARK
1	381008081/0	1	Parasassi	Stone-Guard	Pare-Pierres	Prallblech	
2	122450466/0	1	Molla Sx	L Spring	Ressort G	Linke Feder	
3	122517882/0	1	Perno	Pin	Pivot	Bolzen	
4	122450465/0	1	Molla Dx	R Spring	Ressort D	Rechte Feder	
6	22486101/0	1	Sacco, Parte Sup	Grass-Box Upper	Sac, Partie	Korb, Oberteil	
7	22608525/0	1	Rinforzo Inf	Stiffening Lower	Réforcement Inf	Verstärkung	
8	81002211/0	1	Sacco, Tela	Box, Fabric	Sac, Toile	Sack, Tuck	
9	12728680/0	2	Vite	Screw	Vis	Schraube	
10	12523050/0	2	Rosetta	Washer	Rondelle	Scheibe	



N.	CODE	Q.TY	DESCRIZIONE	DESCRIPTION	DESCRIPTION	BESCHREIBUNG	REMARK
1	381008081/1	1	Parasassi	Stone-Guard	Pare-Pierres	Prallblech	
2	122450466/0	1	Molla Sx	L Spring	Ressort G	Linke Feder	
3	122517882/0	1	Perno	Pin	Pivot	Bolzen	
4	122450465/0	1	Molla Dx	R Spring	Ressort D	Rechte Feder	
6	22486101/0	1	Sacco, Parte Sup	Grass-Box Upper	Sac, Partie	Korb, Oberteil	
11	322486150/1	1	Sacco, Parte Inf Dx	Grass-Box, R Lower	Sac, Partie Inferieure D	Korb, R Unterteil	
12	322486151/1	1	Sacco, Parte Inf Sx	Grass-Box, L Lower	Sac, Partie Inferieure G	Korb, L Unterteil	