

McCULLOCH

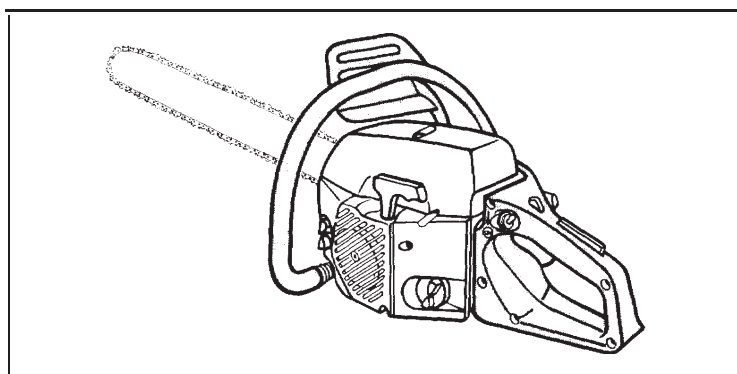
PARTNER

ILLUSTRATED PARTSLIST

PROMAC 40-46 PARTNER P461

SERIAL NUMBER PREFIX 04

CC



March 2000

C	1	240872	McCulloch	1	80	240328	2
C		241937		1	81	240334	M4x40 2
	2	240288		1	82	240262	
	3	a240369	McCulloch		a3	235248	2
		i241936			84	235216	2
B	4	240311			B 85	240263	
	5	0227349			86	240322	2
	6	240326			87	240338	40cc
	7	227351				240871	46cc
	8	227352				241935	46cc
	9	240928			88	240320	
	10	240929			89	240321	
	11	240690			90	236936	
	12	227521			91	240272	
	13	a229394			C 92	240344	
	14	a227524			93	240291	
	15	235367			94	240297	
	16	235811			95	236981	2
	17	240863		3	96	240299	
	18	235500		2	97	236997	M5x30
	19	227259			98	227626	2
C	20	240360			99	227567	M5x70 2
A	21	227762		2	c100	240359	
c	22	240339			C 101	240855	
C	23	240301			102	248056	
C	24	240302			103	235899	
	25	240303			C 104	228872	
C	26	240367			105	235900	
	27	0240862			105A	236728	
	28	229524			105B	241597	2
c	29	240859			106	240312	
	30	227259				241255	40cc
	31	240845	M5x16			241256	46cc
C	32	247259			C 108	227631	40cc
	33	240315		2	C 109	227631	
	34	235248		2	110	235672	
	35	235802	M5x14	2	111	248057	
	36	235806	M5x20	2	112	241253	
	37	240281		1	113	228872	
B	38	241231	40cc	1	B 114	240349	M8/M6
B		240289	46cc	1	117	227259	
B	39	240285			118	235806	M5x20
40	240354				A 119	240317	
41	235248				B 120	229208	
42	235802	M5x14			B 121	240205	
43	235248				B 122	240318	
44	235803	M5x25			123	235642	
45	227259				124	240310	
46	235802	M5x14			125	240333	
C	47	240336	McCulloch		126	240309	
C		241933			C 127	240363	
48	240316	M5x35			B 128	240286	
49	240921				129	241098	
50	229208				C 130	241096	
51	240884				131	240867	
B	52	0235372			132	240920	
A	53	235042			133	240300	
B	54	235040			B 134	240868	
55	235248		3		C 135	235675	
56	236997	M5x30	3		A 136	240452	
B	57	240866			C 137	227582	
C	58	235511			138	229716	
B	59	240865			139	241099	
C	60	235510			B 141	240260	3/8"
61	247290				B	240266	325"
62	240358		3		142	240323	
63	235218				143	241275	
64	241204				144	241285	
B	65	235516		2	145	229250	
B	66	235517		2	146	236997	M5x30
B	67	235518		2	B 147	241100	
c	68	241291			C 148	228854	
C	69	240370			149	240308	
C	70	FIGURE 2			150	240874	
71	227565	M5x25			C 151	225062	
72	236934				152	241272	
A	73	92879			153	241274	
B	74	240345			B 154	240926	3
75	240271	40cc			155	227359	3
	240261	46cc			156	241273	1
76	236997	M5x30		2	157	235248	
77	236529			2	158	228139	
A	78	227692			159	241162	
C	79	FIGURE 3			160	241984	

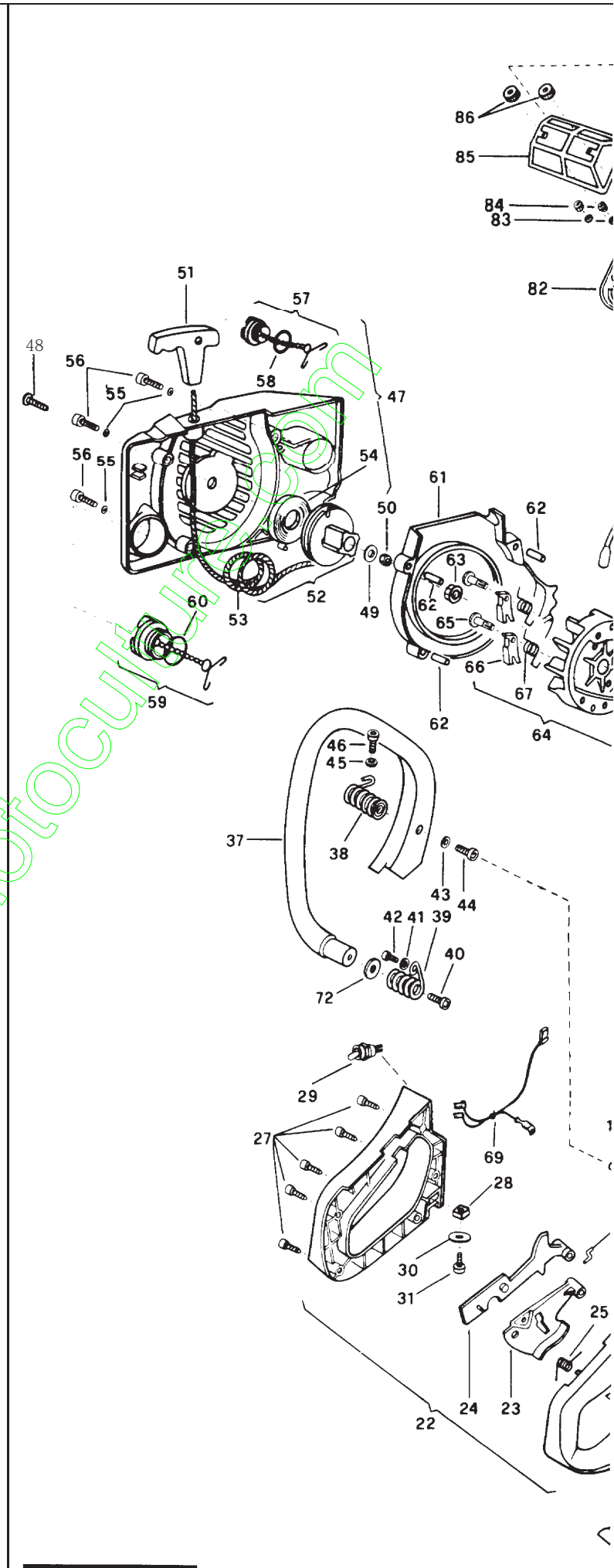
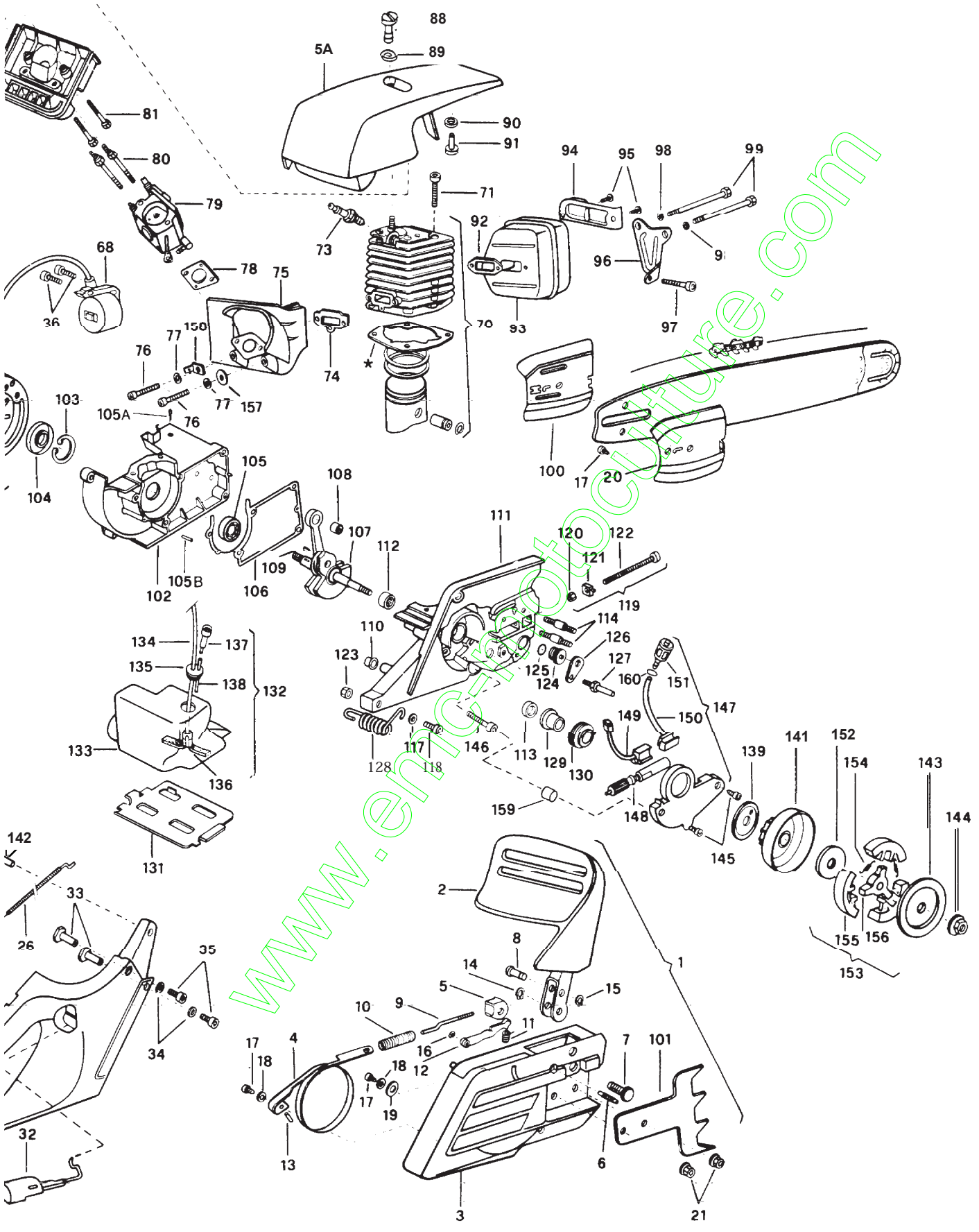


FIGURE 1

A = high moving - alta rotazione/alta demande - große Nachfrage
 B = medium moving - media rotazione/moyenne demande - mittelmäßige Nachfrage
 C = slow moving - bassa rotazione - basse demande - wenige Nachfrage

B Kit gasket	PN 247249 (*-58-60-74-78-92-106-125)
B Kit guarnizioni	PN 247249 (*-58-60-74-78-92-106-125)
B Kit joint	PN 247249 (*-58-60-74-78-92-106-125)
B Kit dichtung	PN 247249 (*-58-60-74-78-92-106-125)



	40 cc	<table border="0"> <tr><td>C</td><td>1</td><td></td><td>247254</td><td>1</td></tr> <tr><td>B</td><td>2</td><td>i</td><td>240343</td><td>1</td></tr> <tr><td>C</td><td>3</td><td>i</td><td>247257</td><td>1</td></tr> <tr><td></td><td>4</td><td>me</td><td>235008</td><td>2</td></tr> <tr><td>B</td><td>5</td><td>i@</td><td>240085</td><td>2</td></tr> </table>	C	1		247254	1	B	2	i	240343	1	C	3	i	247257	1		4	me	235008	2	B	5	i@	240085	2
	C	1		247254	1																						
B	2	i	240343	1																							
C	3	i	247257	1																							
	4	me	235008	2																							
B	5	i@	240085	2																							
46 cc	<table border="0"> <tr><td>C</td><td>1</td><td></td><td>247255</td><td>1</td></tr> <tr><td>B</td><td>2</td><td>i</td><td>240343</td><td>1</td></tr> <tr><td>C</td><td>3</td><td>i</td><td>247258</td><td>1</td></tr> <tr><td></td><td>4</td><td>i e</td><td>229544</td><td>2</td></tr> <tr><td>B</td><td>5</td><td>i *</td><td>240353</td><td>1</td></tr> </table>	C	1		247255	1	B	2	i	240343	1	C	3	i	247258	1		4	i e	229544	2	B	5	i *	240353	1	
C	1		247255	1																							
B	2	i	240343	1																							
C	3	i	247258	1																							
	4	i e	229544	2																							
B	5	i *	240353	1																							

FIGURE 2

WALBRO WT 414			
C	-	240350	carbur.
B	1	i 247260	1
A	2	i e 229191	1
	3	i 247261	1
	4	i 237481	1
	5	i 247388	H 1
	6	• 246540	L 1
	7	• 229601	2
C	8	i 247387	1

FIGURE 3

A = high moving - alta rotazione - haute demande - große Nachfrage
 B = medium moving - media rotazione - moyenne demande - mittelmäßige Nachfrage
 C = slow moving - bassa rotazione - basse demande - wenige Nachfrage