

MCCULLOCH[®] ***PARTNER***

ILLUSTRATED PARTS LIST

MAC 538E-540E-545E
CALIFORNIA
EUROMAC S42-S44-S45
PARTNER P538

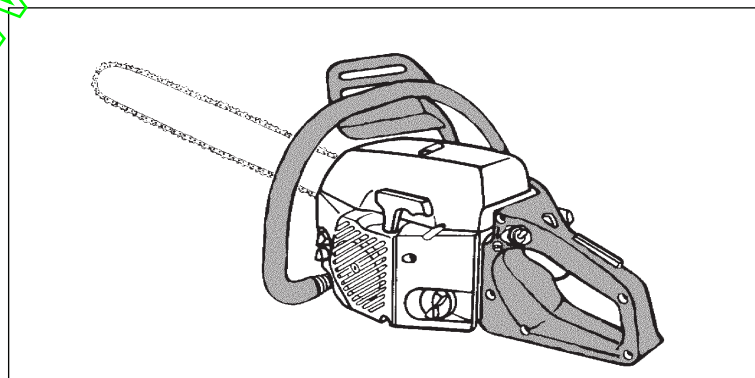
9539002-20 Mac 538E

9539002-23 Mac 540E

9539002-24 California

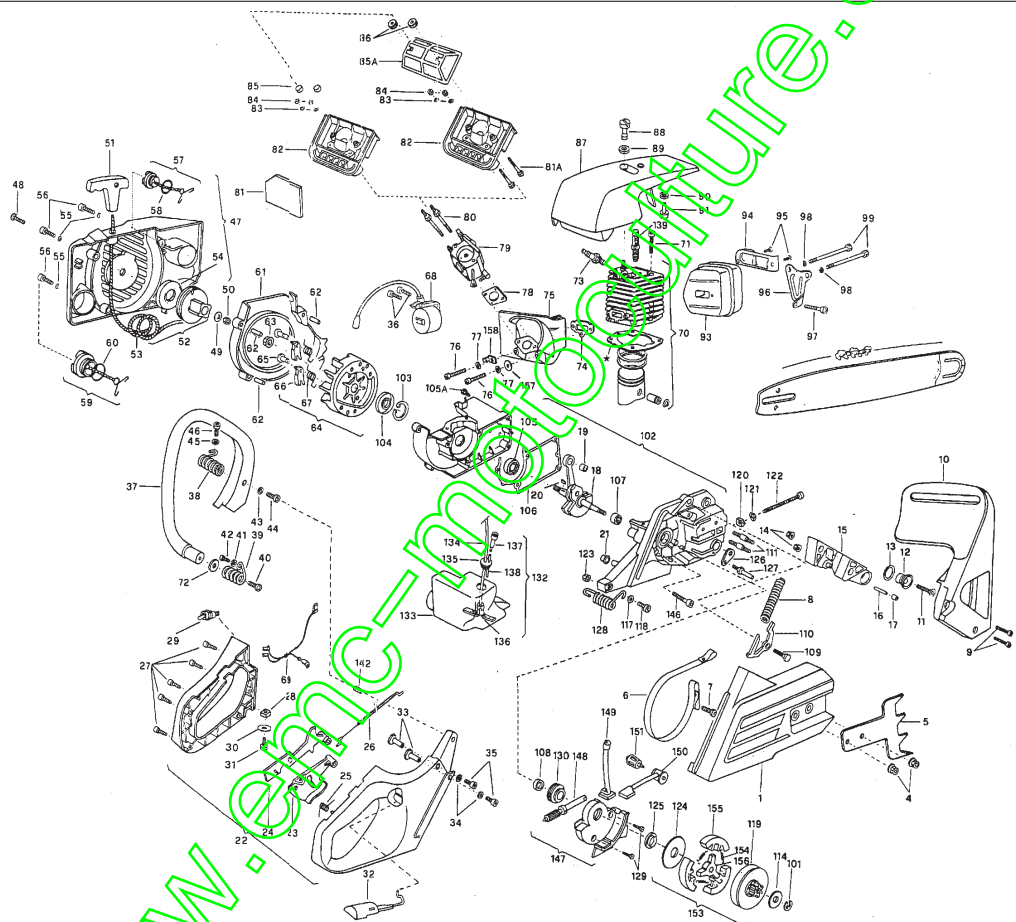
SERIAL NUMBER PREFIX 01

CE



September 2000

FIGURE 1



- B Kit gasket PN 538247249 (*59-60-74-78-105-129)
- B Kit guarnizoni PN 538247249 (*59-60-74-78-105-129)
- B Kit joint PN 538247249 (*59-60-74-78-105-129)
- B Kit dichtung PN 538247249 (*59-60-74-78-105-129)

9539002-20 Mac 538E
9539002-23 Mac 540E
9539002-24 California

* C	1	538248438		1	B	81	538241238		1
A	4	538235217		2	81A	538240334	M4x40		1
* C	5	538241993		1	82	538240262			1
B	6	538235073		1	83	538235248			2
	7	538235812		1	84	538235216			2
	8	538235076		1	85	538241239			2
	9	538235806	M5x20	2	B 85A	538240263			1
* C	10	538241907		1	86	538240322			2
*	11	538241905		1	* 87	538241998	38-40cc McC		1
*	12	538241904		1	*	538241995	46cc McCulloch		1
*	13	538241906		1		538242063	California		1
*	14	538235642		1		538241515	Euromac		1
*	15	538241902		1	*	538241931	Partner		1
*	16	538242017		1	88●	538240320			1
*	17	538241903		1	89●	538240321			1
*	18	538241871	38-40cc	1	90●	538236936			1
		538241873	46cc	1	91●	538240272			1
C	19●	538235742	38-40cc	1	93●	538240291			1
C		538227329	46cc	1	94●	538240297			1
C	20	538227631		1	95●	538236981			2
	21	538235672		1	96	538240299			1
C	22	538240339		1	97	538236997	M5x30		1
C	23●	538240301		1	98	538227626			2
C	24●	538240302		1	99	538227567	M5x70		2
	25●	538240303		1	101	538229137			1
C	26●	538240367		1	* 102	538248497			1
	27●	538240862		1	103●	538235899			1
	28	538229524		1	* C 104●	538241879			1
C	29	538240859		1	105●	538235900			1
	30	538247259		1	105A●	538241077			1
	31	538240845	M5x16	1	106●	538240312			1
C	32	538247259		1	107●	538241253			1
	33	538240375		2	C 108●	538228872			1
	34	538235248		2	109●	538235075			1
	35	538235802	M5x14	2	110●	538094006			1
	36	538235806	M5x20	2	* B 111●	538241880	M6		2
	37	538240281		1	114	538235287			2
B	38	538241231	38-40cc	1	117	538227259			1
B	39	538240289	46cc	1	118	538235806	M5x20		1
B	40	538240354		1	B 119	538240260	3/8		1
	41	538235248		1	B	538240266	.325		1
	42	538235802	M5x14	1	* B 120	538241908			1
	43	538235248		1	B 121	538235367			1
	44	538235803	M5x25	1	* B 122	538241909			1
	45	538227259		1	123	538235642			1
	46	538235802	M5x14	1	124	538241346			1
* C	47	538240336	McCulloch	1	* 125	538242006			1
C		538241933	Partner	1	126	538240309			1
	48●	538240316	M5x35	1	C 127	538240363			1
	49●	538240921		1	B 128	538240286			1
	50●	538229208		1	129	538235802	M5x14		2
	51●	538240884		1	C 130	538241882			1
B	52●	538235372		1	132	538240920			1
A	53●●	538235042		1	133●	538240300			1
B	54●	538235040		1	B 134●	538240868			1
	55	538235248		3	C 135●	538235675			1
	56	538236997	M5x20	3	A 136●	538240452			1
B	57	538240866		1	C 137●	538227582			1
C	58●	538235511		1	138●	538229716			1
B	59	538240865		1	139	538094273			1
C	60●	538235510		1	142	538240323			1
	61	538247290		1	146	538236997	M5x30		4
	62●	538240358		3	* B 147	538241883			1
	63	538235218		1	* C 148●	538241885			1
	64	538241204		1	* 149●	538241895			1
B	65●	538235516		2	* 150●	538241896			1
B	66●	538235517		2	C 151	538225062			1
B	67●	538235518		2	* 153	538242004			1
C	68	538241291		1	B 154●	538240926			3
C	69●	538240370		1	155●	538227359			3
C	70	SEE FIGURE 2			* 156●	538242005			1
	71	538227565	M5x25	4	157	538235248			1
	72	538236934		1	158	538228139			1
A	73	538092879		1					
B	74	538240345		1					
	75	538240271	38-40cc	1					
		538240261	46cc	1					
	76	538236997	M5x30	1					
	77	538236529		1					
A	78	538227692		1					
C	79	SEE FIGURE 3							
	80	538240328		2					

A= High Moving

B= Medium Moving

C= Slow Moving

* = New Part

9539002-20 Mac 538E

9539002-23 Mac 540E

9539002-24 California

	38cc	<table border="0"> <tr><td>C</td><td>1</td><td>•</td><td>538247253</td><td>1</td></tr> <tr><td>B</td><td>2</td><td>•</td><td>538240343</td><td>1</td></tr> <tr><td>C</td><td>3</td><td>•</td><td>538247256</td><td>1</td></tr> <tr><td>4</td><td>••</td><td></td><td>538235008</td><td>2</td></tr> <tr><td>B</td><td>5</td><td>••</td><td>538240005</td><td>2</td></tr> </table>	C	1	•	538247253	1	B	2	•	538240343	1	C	3	•	538247256	1	4	••		538235008	2	B	5	••	538240005	2
	C	1	•	538247253	1																						
	B	2	•	538240343	1																						
C	3	•	538247256	1																							
4	••		538235008	2																							
B	5	••	538240005	2																							
40cc	<table border="0"> <tr><td>C</td><td>1</td><td></td><td>538247254</td><td>1</td></tr> <tr><td>B</td><td>2</td><td>•</td><td>538240343</td><td>1</td></tr> <tr><td>C</td><td>3</td><td>•</td><td>538247257</td><td>1</td></tr> <tr><td>4</td><td>••</td><td></td><td>538235008</td><td>2</td></tr> <tr><td>B</td><td>5</td><td>••</td><td>538240085</td><td>2</td></tr> </table>	C	1		538247254	1	B	2	•	538240343	1	C	3	•	538247257	1	4	••		538235008	2	B	5	••	538240085	2	
C	1		538247254	1																							
B	2	•	538240343	1																							
C	3	•	538247257	1																							
4	••		538235008	2																							
B	5	••	538240085	2																							
46cc	<table border="0"> <tr><td>* C</td><td>1</td><td></td><td>538248500</td><td>1</td></tr> <tr><td>B</td><td>2</td><td>•</td><td>538240343</td><td>1</td></tr> <tr><td>C</td><td>3</td><td>•</td><td>538247258</td><td>1</td></tr> <tr><td>4</td><td>••</td><td></td><td>538229544</td><td>2</td></tr> <tr><td>B</td><td>5</td><td>••</td><td>538240353</td><td>2</td></tr> </table>	* C	1		538248500	1	B	2	•	538240343	1	C	3	•	538247258	1	4	••		538229544	2	B	5	••	538240353	2	
* C	1		538248500	1																							
B	2	•	538240343	1																							
C	3	•	538247258	1																							
4	••		538229544	2																							
B	5	••	538240353	2																							

FIGURE 2

WALBRO WT 414	ZAMA C1Q M39																																																												
<table border="0"> <tr><td>* C</td><td>-</td><td>•</td><td>538240350</td><td>carbur.</td></tr> <tr><td>B</td><td>1</td><td>•</td><td>538247260</td><td>1</td></tr> <tr><td>A</td><td>2</td><td>••</td><td>538229191</td><td>1</td></tr> <tr><td>C</td><td>3</td><td>•</td><td>538247261</td><td>1</td></tr> <tr><td>4</td><td>•</td><td></td><td>538237481</td><td>1</td></tr> <tr><td>5</td><td>•</td><td></td><td>538247388</td><td>1</td></tr> <tr><td>6</td><td>•</td><td></td><td>538246540</td><td>1</td></tr> <tr><td>7</td><td>•</td><td></td><td>538229601</td><td>2</td></tr> <tr><td>8</td><td></td><td></td><td>538247387</td><td>1</td></tr> </table>	* C	-	•	538240350	carbur.	B	1	•	538247260	1	A	2	••	538229191	1	C	3	•	538247261	1	4	•		538237481	1	5	•		538247388	1	6	•		538246540	1	7	•		538229601	2	8			538247387	1	<table border="0"> <tr><td>* C</td><td>-</td><td></td><td>538242062</td><td>carbur.</td></tr> <tr><td>B</td><td>1</td><td>•</td><td>538226226</td><td>1</td></tr> <tr><td>* A</td><td>2</td><td>••</td><td>538226227</td><td>1</td></tr> </table>	* C	-		538242062	carbur.	B	1	•	538226226	1	* A	2	••	538226227	1
* C	-	•	538240350	carbur.																																																									
B	1	•	538247260	1																																																									
A	2	••	538229191	1																																																									
C	3	•	538247261	1																																																									
4	•		538237481	1																																																									
5	•		538247388	1																																																									
6	•		538246540	1																																																									
7	•		538229601	2																																																									
8			538247387	1																																																									
* C	-		538242062	carbur.																																																									
B	1	•	538226226	1																																																									
* A	2	••	538226227	1																																																									

FIGURE 3

A= High Moving
 B= Medium Moving
 C= Slow Moving
 * = New Part

9539002-20 Mac 538E
9539002-23 Mac 540E
9539002-24 California