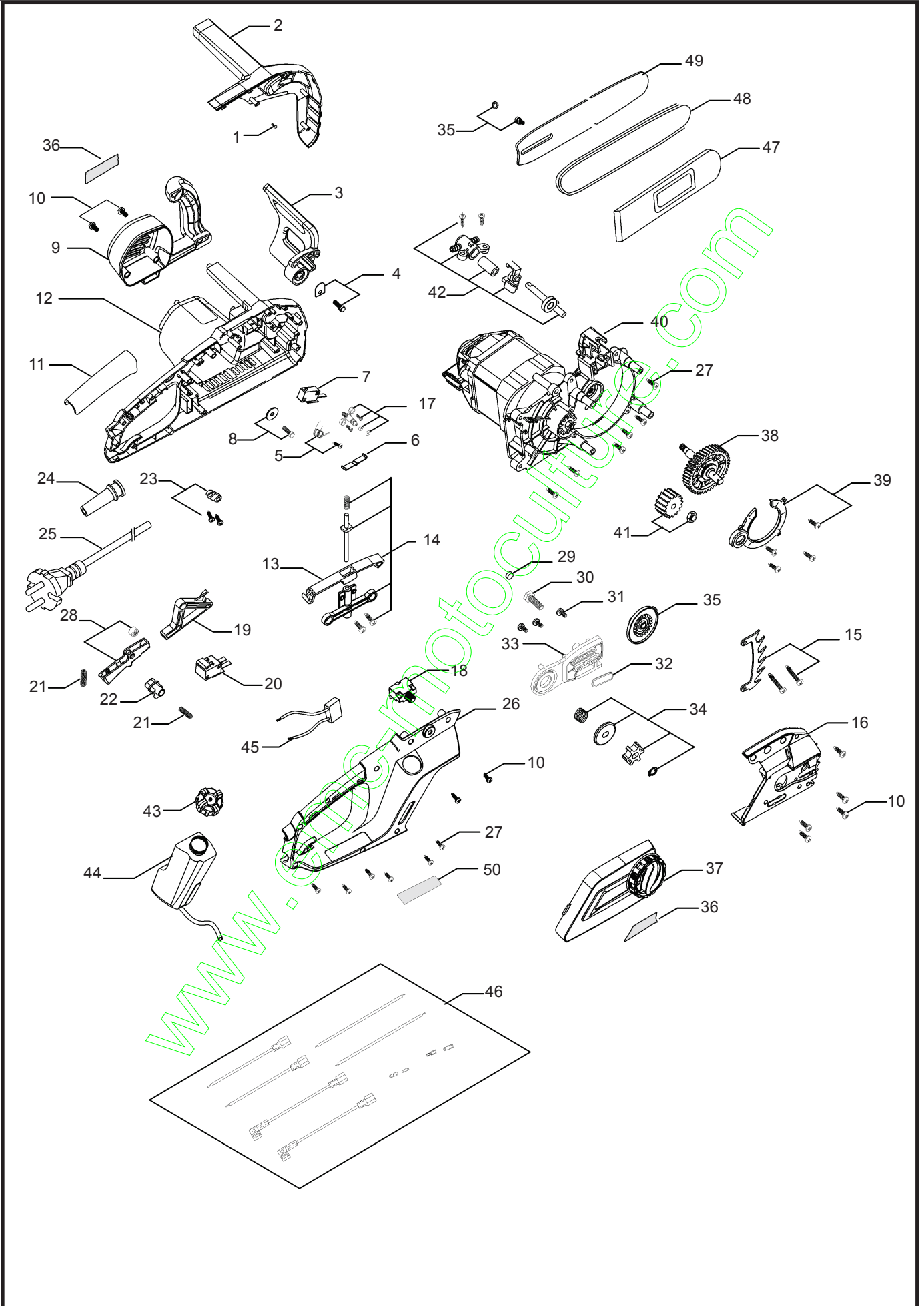


600 Series Tool Less



**IPL, Partner, P620T, 9648309-01, McCulloch, Power Plus 1840T 9648314-02, 2008-04  
600 Series Tool Less**

| Item | Part Number | Description                | Qty | Note         |
|------|-------------|----------------------------|-----|--------------|
| 1    | 5054688-01  | Screw Pack x 4             | 1   |              |
| 2    | 5054689-01  | Handle Cover LHS           | 1   |              |
| 3    | 5054721-01  | Chain Brake Lever          | 1   |              |
| 4    | 5055310-01  | Retainer Kit - Brake Lever | 1   |              |
| 5    | 5054668-01  | Spring Kit                 | 1   |              |
| 6    | 5054693-01  | Plate spring               | 1   |              |
| 7    | 5054694-01  | Micro Switch               | 1   |              |
| 8    | 5054669-01  | Washer Kit - Brake Lever   | 1   |              |
| 9    | 5054695-01  | Cover Motor                | 1   |              |
| 10   | 5054670-01  | Screw Pack x 9             | 1   |              |
| 11   | 5054696-01  | Cover Grip                 | 1   |              |
| 12   | 5054697-01  | Clamshell LHS              | 1   |              |
| 13   | 5054698-01  | Actuator Switch            | 1   |              |
| 14   | 5054671-01  | Stop Pin Assy              | 1   | Inc 13       |
| 15   | 5054672-01  | Bumper Spike Kit           | 1   |              |
| 16   | 5054699-01  | Bar Support Cover          | 1   |              |
| 17   | 5054673-01  | Nozzle Assy Oil            | 1   |              |
| 18   | 5054700-01  | Overload Protector         | 1   |              |
| 19   | 5054701-01  | Connector Arm              | 1   |              |
| 20   | 5054702-01  | Switch                     | 1   |              |
| 21   | 5054674-01  | Spring x 2                 | 1   |              |
| 22   | 5054703-01  | Button Safety              | 1   |              |
| 23   | 5055608-01  | Cable Clamp kit            | 1   |              |
| 24   | 5054704-01  | Sleeve Protection          | 1   |              |
| 25   | 5055619-01  | Power Cord                 | 1   | EU           |
| 25   | 5051058-01  | Power Cord                 | 1   | CH           |
| 26   | 5054706-01  | Clamshell RHS              | 1   |              |
| 27   | 5055592-01  | Screw Kit x 2              | 3   |              |
| 28   | 5054676-01  | Lever Switch & Roller Assy | 1   |              |
| 29   | 5054722-01  | Rubber Plug                | 1   |              |
| 30   | 5054708-01  | Bar Stud                   | 1   |              |
| 31   | 5054709-01  | Screw Kit x 6              | 1   |              |
| 32   | 5055589-01  | Oil Seal                   | 1   |              |
| 33   | 5054677-01  | Mount Plate Assy           | 1   | inc 29 to 32 |
| 34   | 5055590-01  | Drive Gear Kit             | 1   |              |
| 35   | 5055644-01  | Adjustment Assy Chain      | 1   | Inc 38 & 39  |
| 36   | 5102158-01  | Label Kit                  | 1   |              |
| 37   | 5054682-01  | Chain Cover Assy           | 1   |              |
| 38   | 5054715-01  | Output Shaft Assy          | 1   |              |
| 39   | 5054683-01  | Gear Box Cover Kit         | 1   |              |
| 40   | 5054717-01  | Motor Assy                 | 1   |              |
| 41   | 5054718-01  | Gear Kit                   | 1   |              |
| 42   | 5054684-01  | Oil Pump Assy              | 1   |              |
| 43   | 5054719-01  | Oil Cap Assy               | 1   |              |
| 44   | 5054685-01  | Oil Tank Assy              | 1   | Inc 43       |
| 45   | 5055299-01  | Capacitor                  | 1   |              |
| 46   | 5054687-01  | Wiring Kit                 | 1   | Inc 45       |
| 47   | 5300475-13  | Cover Sheath 16"           | 1   |              |
| 48   | 5310241-28  | Chain 16"                  | 1   |              |
| 49   | 5310242-37  | Bar 16"                    | 1   |              |
| 50   | 5055337-01  | Label Warning              | 1   |              |