

ST. S.P.A.

PA185KB102H (2016)

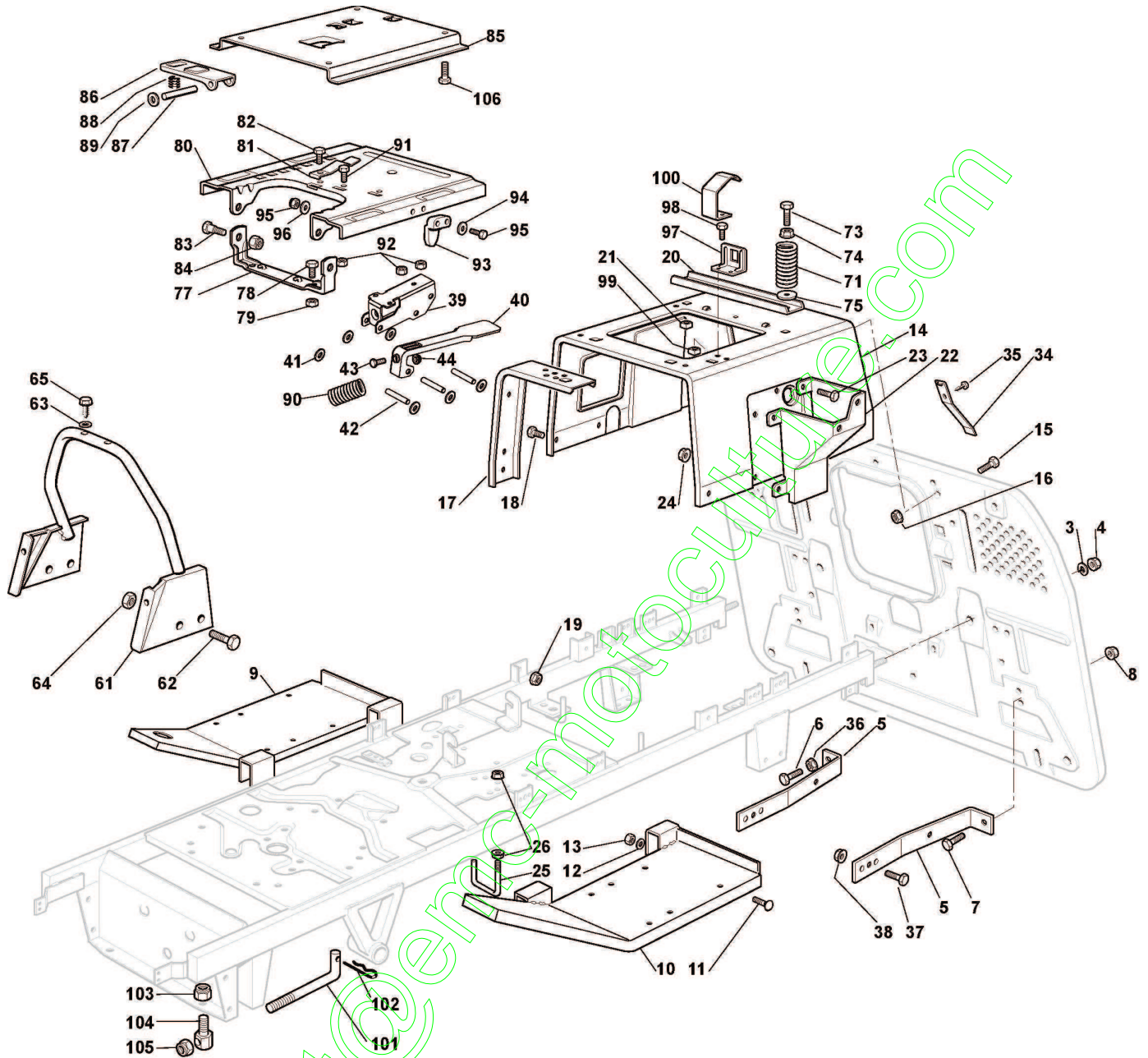
2T0910673/PM

Spare parts list
Reservdelar
Repuestos
Ersatzteile
Pièces détachées
Reserve onderdelen
Catalogo ricambi

contact@emc-motoculture.com

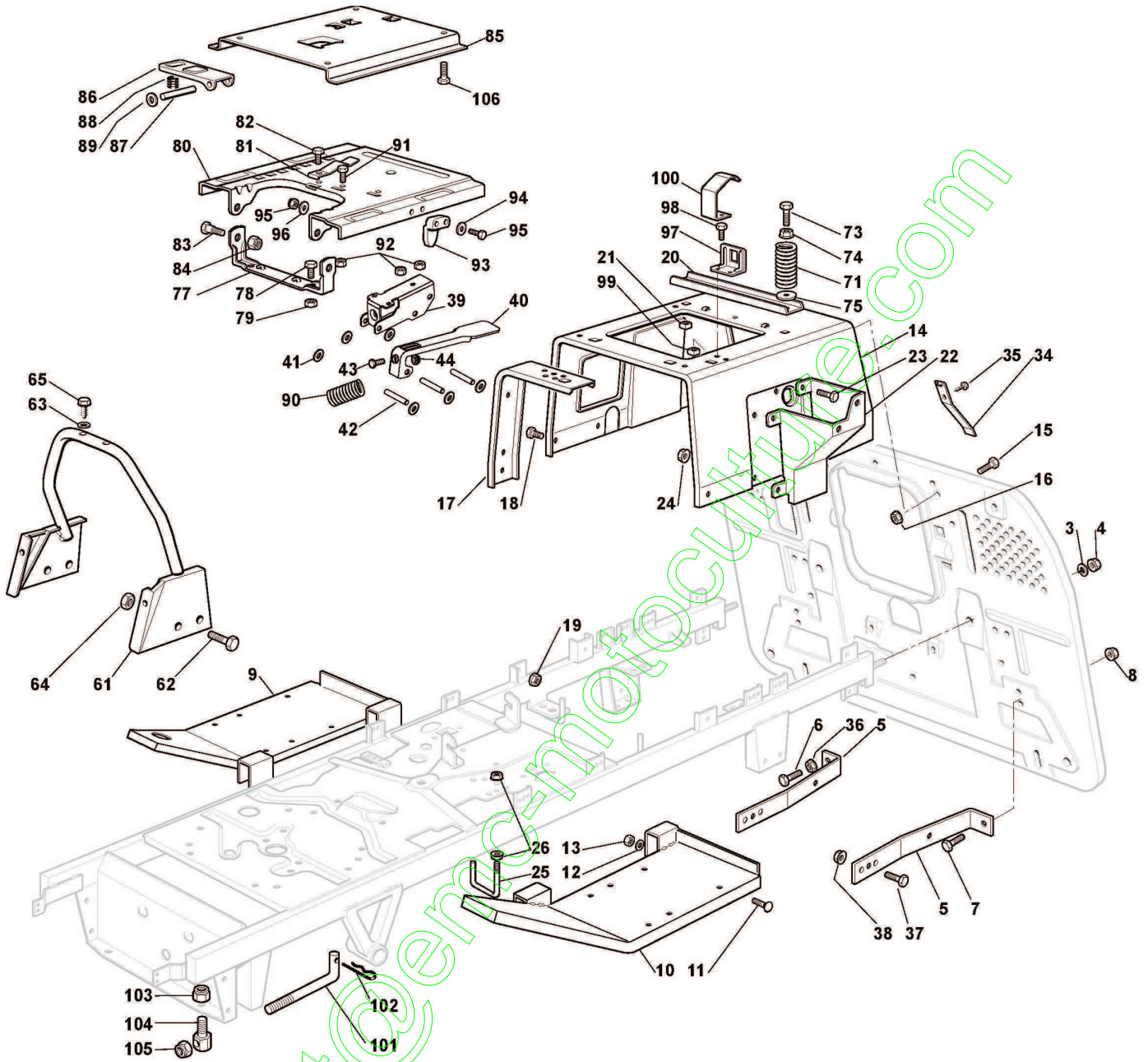
- Use ST. S.p.A. Genuine Spare Parts specified in the parts list for repair and/or replacement.
- The contents described in the parts list may change due to improvement.
- The drawings of the spare parts are only indicative And might Not represent the part in question exactly.
- The indications "right" - "left" - "front" - "rear" refer to the position of the operator when using the machine.
- When placing orders of parts for repair And/Or replacement, make sure that the illustrated parts list is the one applying to the machine's year of manufacture, as shown on the identification plate attached to the machine.

All rights reserved. No part Of this material may be reproduced Or transmitted, in any form Or by any means, electronic Or mechanical, including photocopying, recording Or by any information storage And retrieval system, without permission in writing from ST. S.p.A.



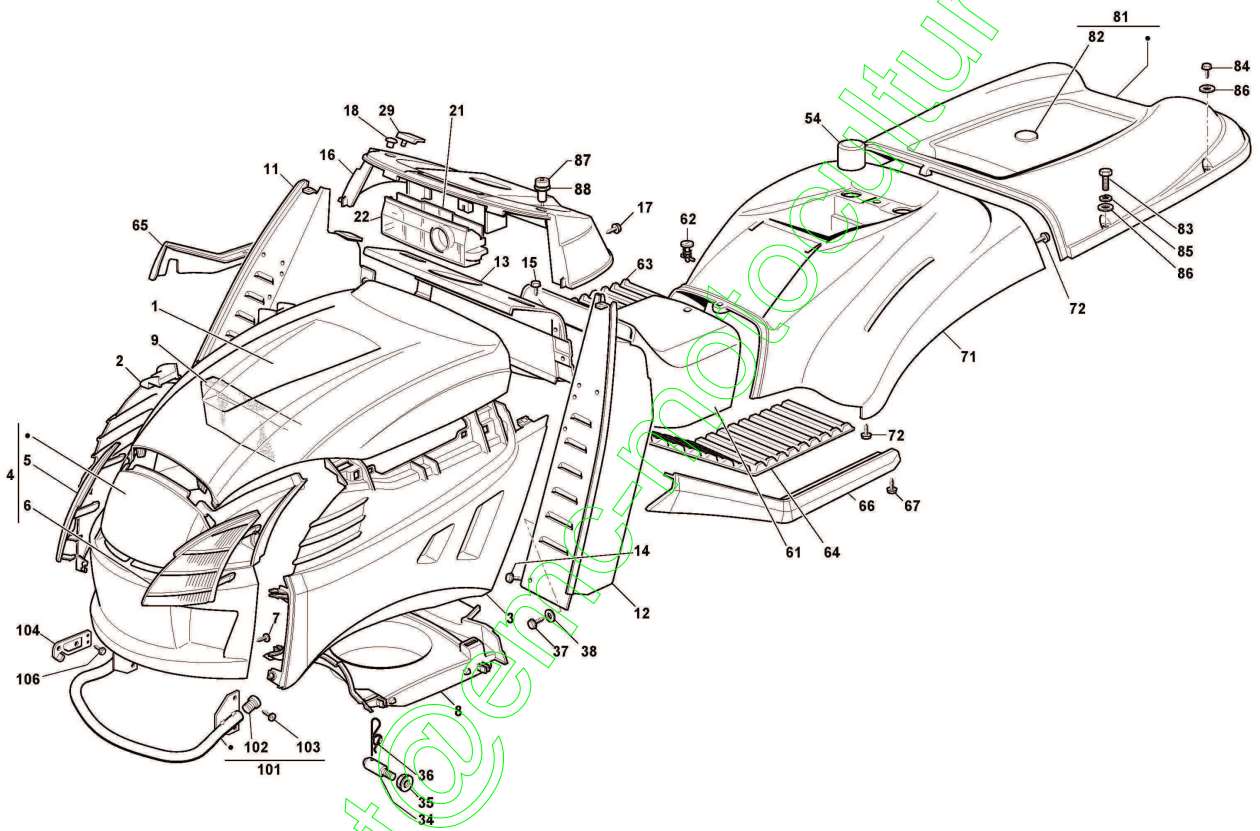
Chassis

| Réf. N° | Q.té : | Code article | Description | Articles | De | Jusqu'à |
|---------|--------|--------------|----------------------------|----------|------------------------|-------------------|
| 3 | 2 | 112523060/0 | Rondelle | | From 01-September-2016 | To 31-August-2016 |
| 3 | 2 | 112585100/0 | Rondelle | | | |
| 4 | 2 | 112295200/0 | Ecrou | | | |
| 4 | 2 | 9739-1031-22 | Ecrou | | From 01-September-2016 | To 31-August-2016 |
| 5 | 2 | 325774273/1 | Renforcement | | | |
| 5 | 2 | 325774273/2 | Renforcement | | From 01-September-2016 | To 31-August-2013 |
| 6 | 1 | 112691100/0 | Vis | | | |
| 7 | 3 | 112793102/0 | Vis | | | |
| 8 | 2 | 112154220/0 | Ecrou | | From 01-September-2016 | To 31-August-2016 |
| 8 | 4 | 112293201/0 | Ecrou | | | |
| 9 | 1 | 382510041/2 | Marchepied Droit Support | | | |
| 10 | 1 | 382510043/2 | Support Marchepied Gauche | | | |
| 11 | 4 | 112815245/0 | Vis | | | |
| 12 | 4 | 112523040/0 | Rondelle | | | |
| 13 | 4 | 112154510/0 | Ecrou | | | |
| 14 | 1 | 325785133/5 | Support Siege | | | |
| 15 | 4 | 112791011/0 | Vis | | | |
| 16 | 5 | 112292102/0 | Ecrou | | | |
| 17 | 2 | 325650065/0 | Renforcement | | | To 31-August-2015 |
| 17 | 2 | 325650065/1 | Reinforcement Poulie | | From 01-September-2015 | To 31-August-2015 |
| 18 | 6 | 112791011/0 | Vis | | | To 31-August-2016 |
| 18 | 8 | 112791200/1 | Vis | | From 01-September-2016 | To 31-August-2016 |
| 19 | 6 | 112292102/0 | Ecrou | | | |
| 20 | 1 | 325650067/0 | Renforcement | | | To 31-August-2015 |
| 20 | 1 | 325650067/1 | Reinforcement Poulie | | From 01-September-2015 | To 31-August-2015 |
| 21 | 2 | 112360420/0 | Ecrou | | | |
| 22 | 1 | 325785137/1 | Support | | | |
| 23 | 4 | 112791011/0 | Vis | | | To 31-August-2016 |
| 23 | 4 | 112791200/1 | Vis | | From 01-September-2016 | To 31-August-2016 |
| 24 | 4 | 112292102/0 | Ecrou | | | |
| 25 | 1 | 125580019/0 | Cheville Guide De Courroie | | | To 31-August-2015 |
| 25 | 1 | 125580019/1 | Guide De Courroie (Hydro) | | From 01-September-2015 | To 31-August-2015 |
| 26 | 2 | 112292102/0 | Ecrou | | | |
| 34 | 1 | 125430238/1 | Ressort | | | |
| 35 | 1 | 112731580/0 | Vis | | | |
| 36 | 1 | 112154220/0 | Ecrou | | From 01-September-2016 | To 31-August-2016 |
| 36 | 1 | 112293200/0 | Ecrou | | | To 31-August-2016 |
| 37 | 2 | 112793102/0 | Vis | | | |
| 37 | 3 | 112800815/0 | Vis | | From 01-September-2016 | To 31-August-2016 |
| 38 | 2 | 112154220/0 | Ecrou | | From 01-September-2016 | To 31-August-2016 |
| 38 | 2 | 112293201/0 | Ecrou | | | To 31-August-2016 |
| 39 | 1 | 325774575/0 | Bride | | | To 31-August-2016 |
| 40 | 1 | 325318327/0 | Hebel | | | To 31-August-2016 |
| 40 | 1 | 382318315/0 | Levier | | From 01-September-2017 | To 31-August-2017 |
| 41 | 6 | 112604896/0 | Fixateur A Couronne | | | |
| 42 | 3 | 122517866/0 | Pivot | | | |
| 43 | 1 | 112735661/0 | Vis | | | |
| 44 | 1 | 112154510/0 | Ecrou | | | |



Chassis

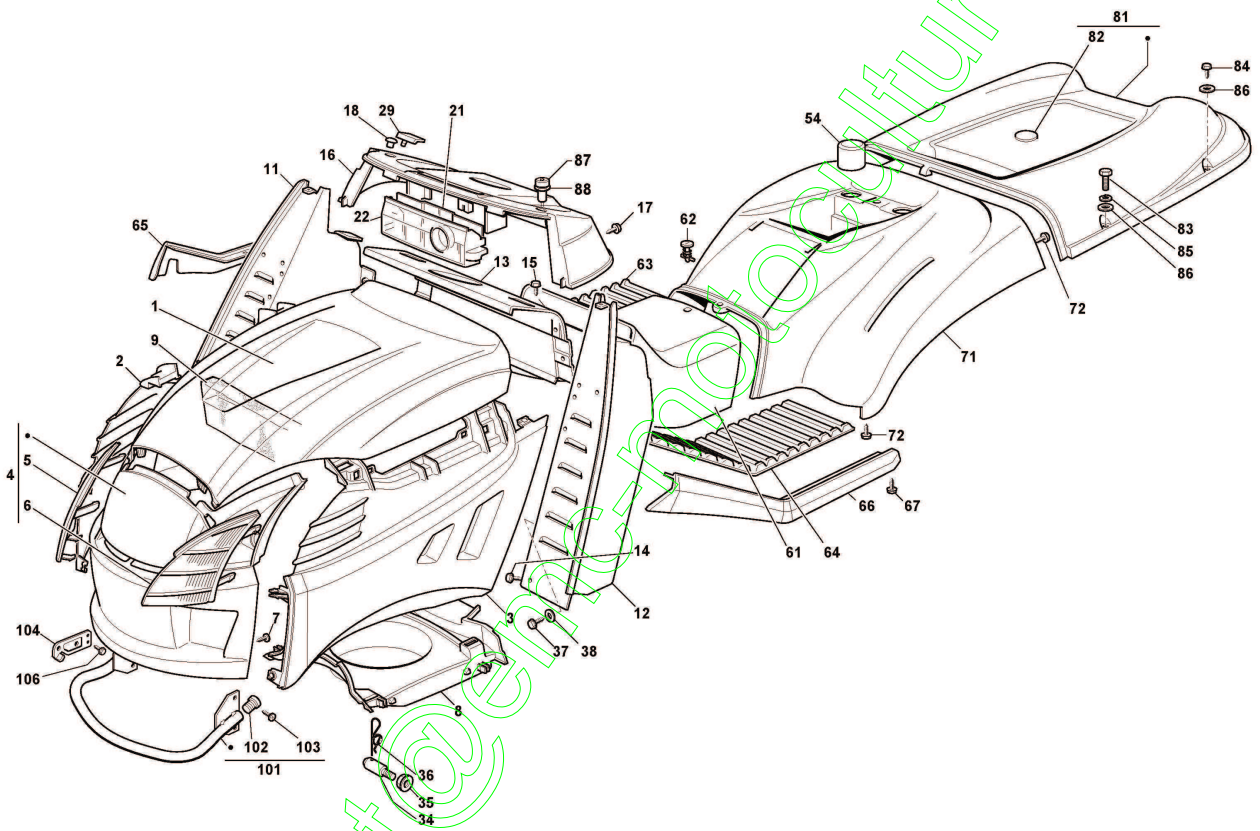
| Réf. N° | Q.té : | Code article | Description | Articles | De | Jusqu'à |
|---------|--------|--------------|-------------------------|----------|---------------------|-------------------|
| 61 | 1 | 382650045/0 | Chassis | | | |
| 62 | 4 | 112792611/0 | Vis | | | |
| 63 | 2 | 112521330/0 | Rondelle | | | |
| 64 | 4 | 112292102/0 | Ecrou | | | |
| 65 | 2 | 112731350/0 | Vis | | | |
| 65 | 2 | 9943-0516-16 | Vis | | From 01-Septem-2016 | To 31-August-2016 |
| 71 | 2 | 125430205/1 | Ressort | | | |
| 73 | 2 | 125943001/1 | Vis | | | |
| 74 | 2 | 112154220/0 | Ecrou | | From 01-Septem-2016 | To 31-August-2016 |
| 74 | 2 | 112293201/0 | Ecrou | | | |
| 75 | 2 | 112523070/0 | Rondelle | | | |
| 77 | 1 | 382774207/0 | Etrier Support Siege | | | |
| 77 | 1 | 382774305/0 | Etrier Support Siege | | From 01-Septem-2017 | To 31-August-2017 |
| 78 | 2 | 112792611/0 | Vis | | | |
| 79 | 2 | 112293201/0 | Ecrou | | | |
| 80 | 1 | 325785149/3 | Support Siege Fixe | | | |
| 80 | 1 | 382785301/0 | Support Siege Fixe | | From 01-Septem-2017 | To 31-August-2017 |
| 81 | 1 | 125430203/1 | Ressort | | | |
| 82 | 1 | 112731580/0 | Vis | | | |
| 83 | 2 | 122524970/3 | Goupille | | | |
| 84 | 2 | 112155010/0 | Ecrou | | | |
| 85 | 1 | 325785147/2 | Support Siege | | | |
| 86 | 1 | 325318109/1 | Levier D'Arret | | | |
| 87 | 1 | 125510000/0 | Pivot | | | |
| 88 | 1 | 125430202/1 | Ressort | | | |
| 89 | 2 | 112604897/0 | Disque Elastique | | | |
| 90 | 1 | 125430285/0 | Ressort | | | |
| 90 | 1 | 125430291/0 | Ressort | | From 01-Septem-2017 | To 31-August-2017 |
| 91 | 1 | 112789000/0 | Vis | | | |
| 92 | 1 | 112154330/0 | Ecrou | | | |
| 93 | 1 | 325060049/0 | Came Interrupteur Siege | | | |
| 94 | 2 | 112815050/0 | Vis | | | |
| 95 | 4 | 112521320/0 | Rondelle | | | |
| 96 | 2 | 112154330/0 | Ecrou | | | |
| 97 | 1 | 325755025/2 | Equerre-Support | | | |
| 97 | 1 | 325755025/3 | Equerre-Support | | From 01-Septem-2018 | To 31-August-2018 |
| 98 | 2 | 112735110/0 | Vis | | | |
| 98 | 2 | 112789000/0 | Vis | | From 01-Septem-2016 | To 31-August-2016 |
| 99 | 2 | 112437502/0 | Plaquette | | | |
| 99 | 2 | 9739-0531-22 | Ecrou | | From 01-Septem-2016 | To 31-August-2016 |
| 100 | 1 | 325430255/0 | Ressort | | | |
| 101 | 2 | 125510119/0 | Tirant | | | |
| 102 | 2 | 124487997/0 | Goupille | | | |
| 103 | 2 | 112155000/0 | Ecrou | | | |
| 104 | 2 | 125510040/1 | Pivot | | | |
| 104 | 2 | 125510040/2 | Pivot | | From 01-Septem-2013 | To 31-August-2013 |
| 105 | 2 | 112155000/0 | Ecrou | | | |
| 106 | 2 | 9959-0820-16 | Vis | | | |



contact@propteculture.com

Carrosserie

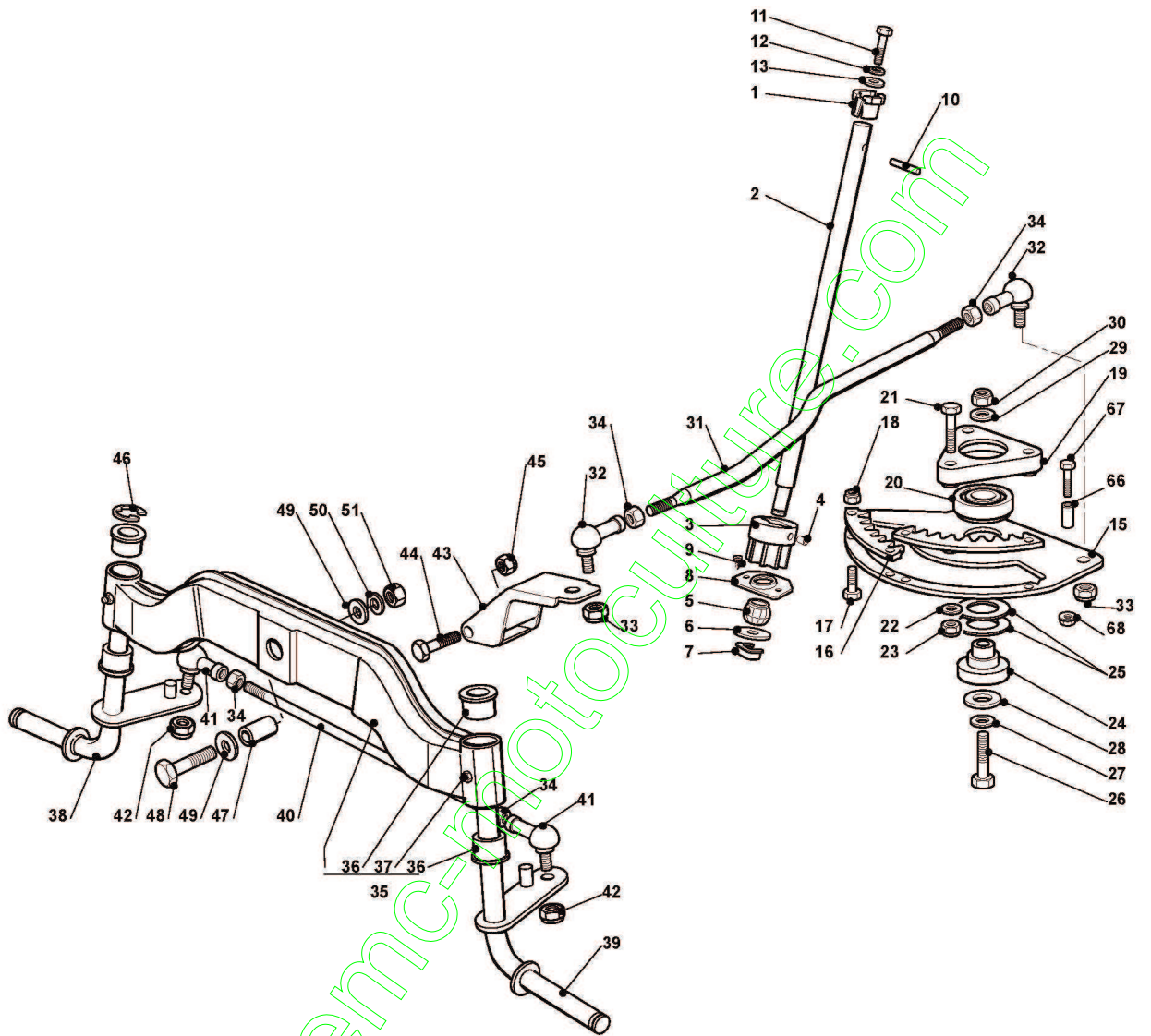
| Réf. N° | Q.té : | Code article | Description | Articles | De | Jusqu'à |
|---------|--------|--------------|---------------------------------------|----------------------------------|-------------------|----------------|
| 1 | 1 | 325076858/0 | Capot Superieure Rouge | | | |
| 2 | 1 | 325207120/1 | Capot Droit | | | |
| 3 | 1 | 325207121/1 | Capot Gauche | | | |
| 4 | 1 | 382394607/0 | Capot Avant | | | |
| 5 | 1 | 325410874/0 | Panneau Phares Droite | | | |
| 6 | 1 | 325410875/0 | Lentille Phare Gauche | | | |
| 7 | 6 | 112735405/0 | Vis | | | |
| 8 | 1 | 325108025/0 | Convoyeur | | | |
| 9 | 1 | 125730018/0 | Separateur Aspirations | | | |
| 11 | 1 | 382785022/10 | Support Tableau Droit | | From | |
| 11 | 1 | 382785022/9 | Support Tableau Droit | | | To |
| 12 | 1 | 382785021/8 | Support Tableau Gauche | | | 31-August-2017 |
| 12 | 1 | 382785021/9 | Support Tableau Gauche | | From | |
| 13 | 1 | 382785137/1 | Support Tableau Centr. | | 01-September-2017 | |
| 14 | 2 | 112735110/0 | Vis | | | To |
| 14 | 2 | 112735654/0 | Vis | | From | 31-August-2010 |
| 15 | 4 | 112735110/0 | Vis | | | |
| 16 | 1 | 325120257/0 | Console | for Electronic Card with Display | | To |
| 17 | 4 | 112728440/0 | Vis | | | 31-August- |
| 18 | 2 | 125120200/0 | Bouchon | | | |
| 21 | 1 | 125600009/0 | Protection Carte Electronique arriere | Not Electronic Card - TX/TS | | |
| 22 | 1 | 125600051/0 | Protection | Not Electronic Card - TX/TS | | |
| 29 | 2 | 125260000/0 | Protection | | | |
| 34 | 2 | 125510068/0 | Pivot | | | |
| 35 | 2 | 112293201/0 | Ecrou | | | |
| 36 | 1 | 124487998/0 | Goupille | | | |
| 37 | 2 | 112731350/0 | Vis | | | To |
| 37 | 2 | 112735654/0 | Vis | | From | 31-August-2010 |
| 38 | 2 | 112521330/0 | Rondelle | | | |
| 54 | 2 | 325122000/2 | Capot | | | |
| 61 | 1 | 125110240/0 | Couvre Central (Hydro) Vert | Green | | |
| 61 | 1 | 325110239/1 | Couvre Central Rouge (Hydro) | | | |
| 62 | 1 | 125580020/2 | Pivot | | | |
| 63 | 1 | 325110278/1 | Couvre Marchepied Droit | | | |
| 64 | 1 | 325110279/0 | Couvre Marchepied Gauche | | | |
| 65 | 1 | 325599000/0 | Profil Droit Gris | | | |
| 66 | 1 | 325599001/0 | Profil Gauche | | | |
| 67 | 6 | 112731580/0 | Vis | | | |
| 71 | 1 | 325109701/1 | Couvre Roues Rouge | | | |
| 71 | 1 | 325109705/0 | Couvre Roues Vert | Green | | |
| 72 | 4 | 112735402/0 | Vis | | | To |
| 72 | 4 | 112735420/0 | Vis | | From | 31-August-2010 |
| 81 | 1 | 182110201/0 | Couvre-Bac Vert | Green | | |
| 81 | 1 | 382110200/1 | Couvre-Bac, Rouge | | | |
| 82 | 1 | 125547026/0 | Plaquette Vert | Green | | |
| 82 | 1 | 325547025/1 | Plaquette Capot Rouge | | | |
| 83 | 2 | 112674701/0 | Vis | | | |



Carrosserie

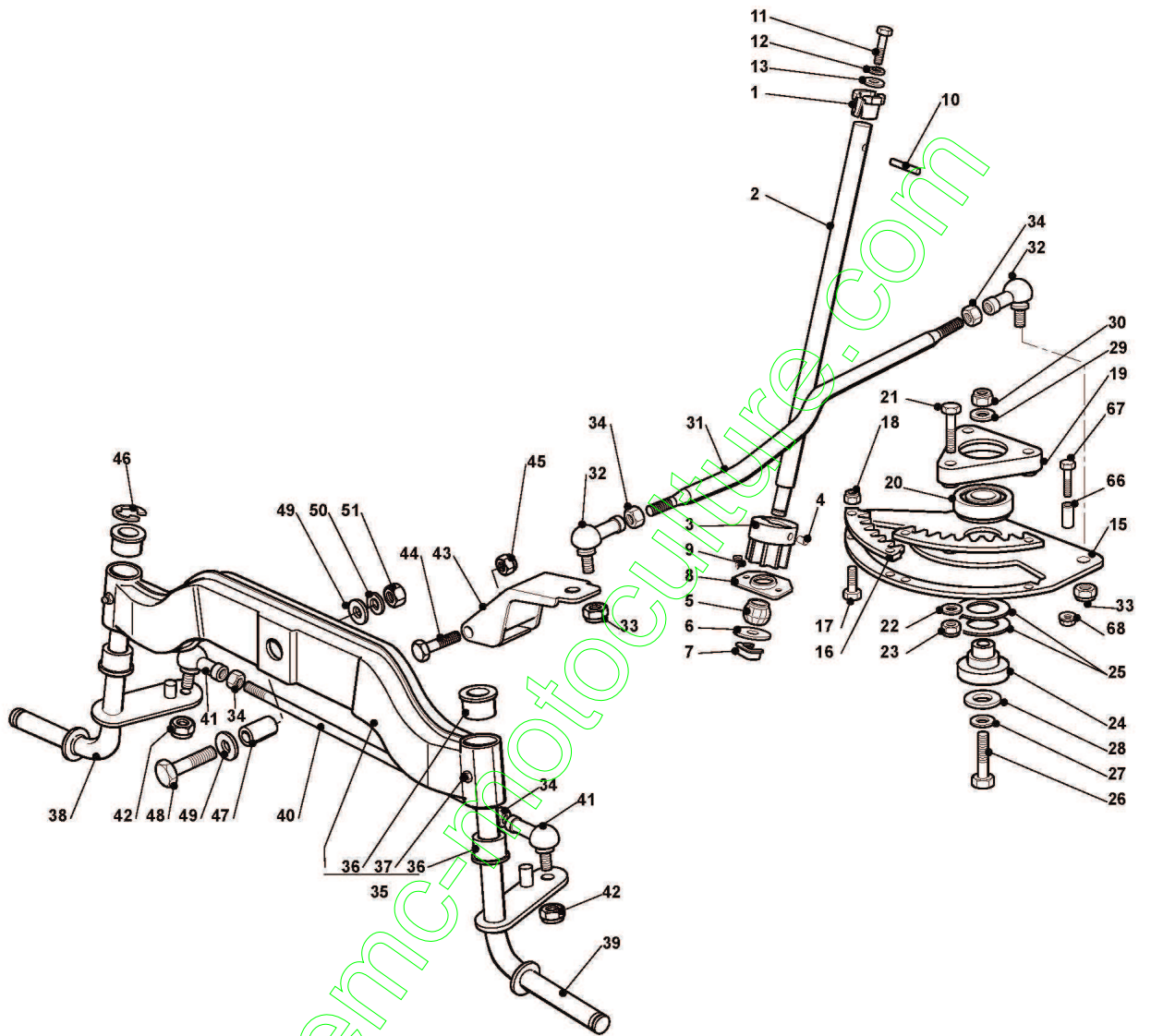
| Réf. N° | Q.té : | Code article | Description | Articles | De | Jusqu'à |
|---------|--------|--------------|-------------------------|----------|----|---------|
| 84 | 4 | 112729601/1 | Vis | | | |
| 85 | 2 | 112582101/0 | Grower | | | |
| 86 | 6 | 112521331/0 | Rondelle | | | |
| 87 | 1 | 325605003/0 | Bouton D'Entrée Inverse | | | |
| 88 | 1 | 325256250/0 | Embout | | | |
| 101 | 1 | 382869019/0 | Protection Silencieux | | | |
| 102 | 2 | 118737857/0 | Bouchon | | | |
| 103 | 4 | 112735120/0 | Vis | | | |
| 104 | 2 | 325547109/2 | Plaquette | | | |
| 106 | 4 | 112731580/0 | Vis | | | |

contact@enc-motoculture.com



Barre De Direction

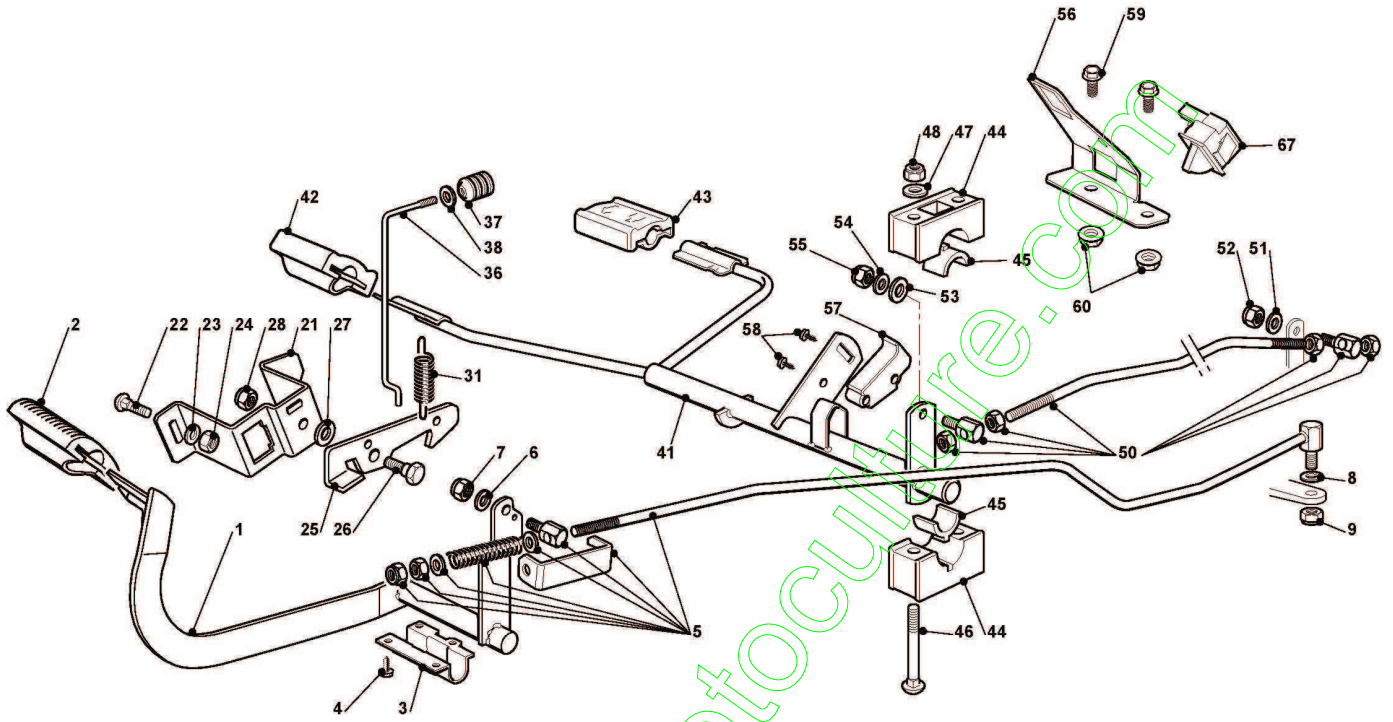
| Réf. N° | Q.té : | Code article | Description | Articles | De | Jusqu'à |
|---------|--------|--------------|-------------------------------------|----------|-----------------------|--------------------------|
| 1 | 1 | 325038004/0 | Douille | | | |
| 2 | 1 | 125520010/0 | Tube De Direction | | | |
| 3 | 1 | 125570004/0 | Pignon | | | |
| 4 | 1 | 112714300/0 | Vis sans tête | | | |
| 5 | 1 | 325743000/0 | Joint | | | |
| 6 | 1 | 322672151/0 | Rondelle Antifriction | | | |
| 7 | 1 | 112436030/0 | Plaquette | | | |
| 8 | 1 | 325785213/1 | Support | | | |
| 9 | 2 | 112729601/1 | Vis | | | |
| 10 | 1 | 112620250/0 | Goupille | | | |
| 11 | 1 | 112691800/0 | Vis | | | |
| 12 | 1 | 112583500/0 | Grower | | | |
| 13 | 1 | 112523060/0 | Rondelle | | | To 31-August- 2017 |
| 13 | 1 | 122671651/0 | Rondelle | | From | |
| 15 | 1 | 325735523/0 | Secteur Direction | | | To |
| 15 | 1 | 325735523/1 | Secteur Direction | | From | 31-August- 2016 |
| 16 | 2 | 325150000/0 | Cremaillere Direction | | | |
| 17 | 4 | 112791213/1 | Vis | | | |
| 18 | 4 | 112154510/0 | Ecrou | | | |
| 19 | 1 | 325774453/0 | Etrier | | | |
| 20 | 1 | 119216047/0 | Roulement | | | |
| 21 | 3 | 112691100/0 | Vis | | | |
| 22 | 3 | 112523060/0 | Rondelle | | | To |
| 22 | 3 | 122671651/0 | Rondelle | | From | 31-August- 2017 |
| 23 | 3 | 112155000/0 | Ecrou | | | |
| 24 | 1 | 125510120/0 | Support | | | |
| 25 | 2 | 322672153/0 | Rondelle Antifriction | | | |
| 26 | 1 | 112692395/1 | Vis | | | To |
| 26 | 1 | 112692395/2 | Vis | | From | |
| 27 | 1 | 112523080/0 | Rondelle | | 01-Septem ber-2017 | |
| 28 | 1 | 112521390/0 | Rondelle | | | |
| 29 | 1 | 112523080/0 | Rondelle | | | |
| 30 | 1 | 112156602/0 | Ecrou | | | |
| 31 | 1 | 125033003/1 | Barre De Direction | | | |
| 32 | 2 | 122746600/0 | Joint | | | To |
| 32 | 2 | 122746616/0 | Joint | | From | 31-August- 2013 |
| 33 | 2 | 112156602/0 | Ecrou | | | |
| 34 | 4 | 112295201/0 | Ecrou | | | |
| 35 | 1 | 382034001/3 | Balancier Avec Douille Et Graisseur | | | |
| 36 | 4 | 125034002/1 | Douille | | | |
| 37 | 2 | 112379511/0 | Graisseur | | | |
| 38 | 1 | 382230361/0 | Fuseau Droit | | | |
| 39 | 1 | 382230359/0 | Fuseau Gauche | | | |
| 40 | 1 | 325840001/0 | Tirant | | | To |
| 40 | 1 | 325840001/1 | Tirant | | From | |
| 41 | 2 | 122746616/0 | Joint | | 01-Septem ber-2013 | |
| 42 | 2 | 112156602/0 | Ecrou | | | |
| 43 | 1 | 382318185/0 | Ens. Levier | | | |



Barre De Direction

| Réf. N° | Q.té : | Code article | Description | Articles | De | Jusqu'à |
|---------|--------|--------------|----------------|----------|------|--------------------------|
| 44 | 1 | 112692395/1 | Vis | | | |
| 44 | 1 | 112692395/2 | Vis | | From | To 31-August- 2017 |
| 45 | 1 | 112155000/0 | Ecrou | | | |
| 46 | 1 | 112001000/0 | Anneau Benzing | | | |
| 47 | 1 | 125160005/0 | Entretoise | | | |
| 47 | 1 | 125160005/1 | Entretoise | | From | To 31-August- 2015 |
| 48 | 1 | 112694100/0 | Vis | | | |
| 49 | 2 | 112521390/0 | Rondelle | | | |
| 50 | 1 | 112587900/0 | Grower | | | |
| 51 | 1 | 112295800/0 | Ecrou | | | |
| 66 | 1 | 122167840/0 | Entretoise | | | |
| 67 | 1 | 112691200/0 | Vis | | | |
| 68 | 1 | 112293201/0 | Ecrou | | | |

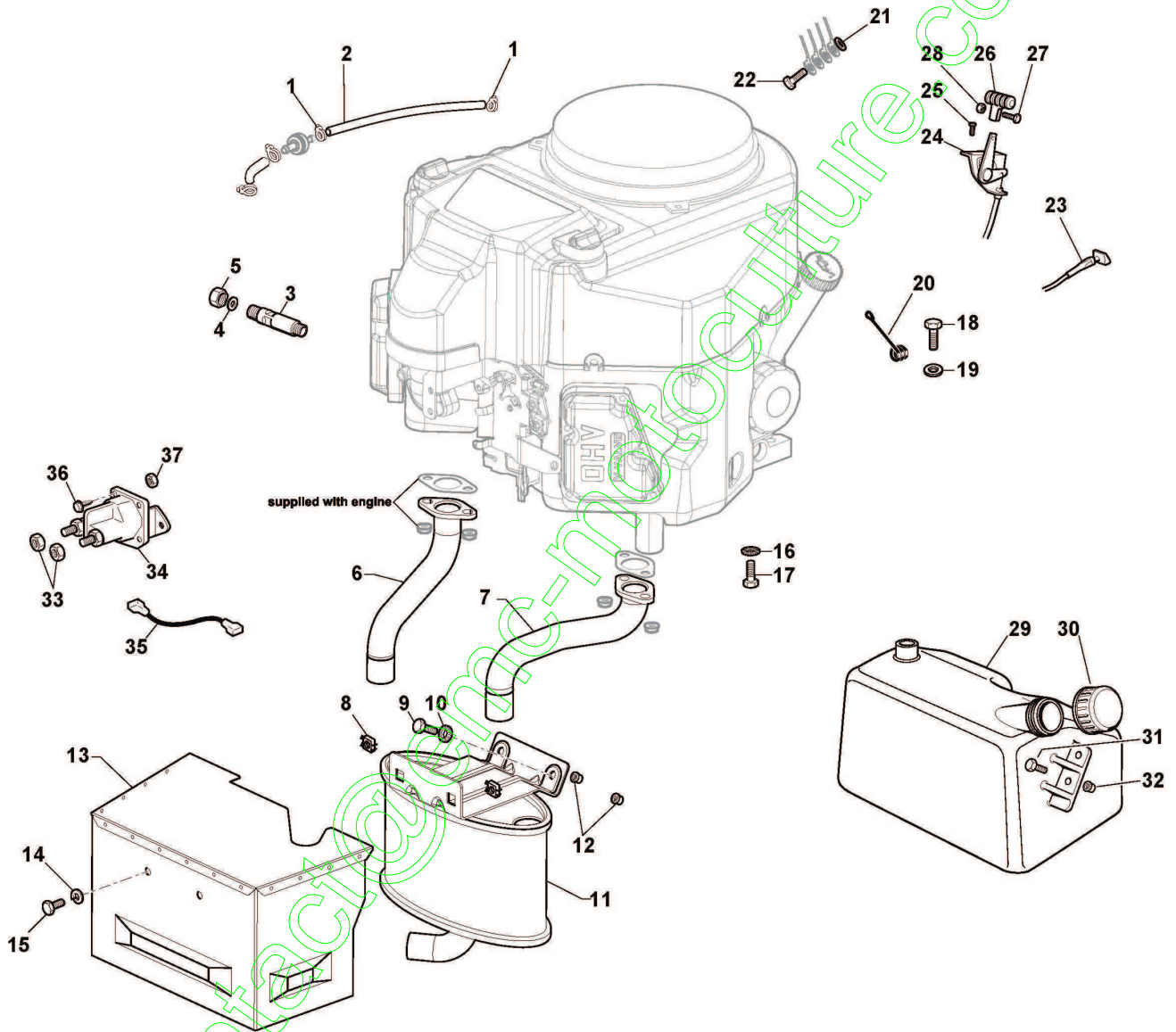
contact@emc-motoculture.com



contact@emc-motocultiv

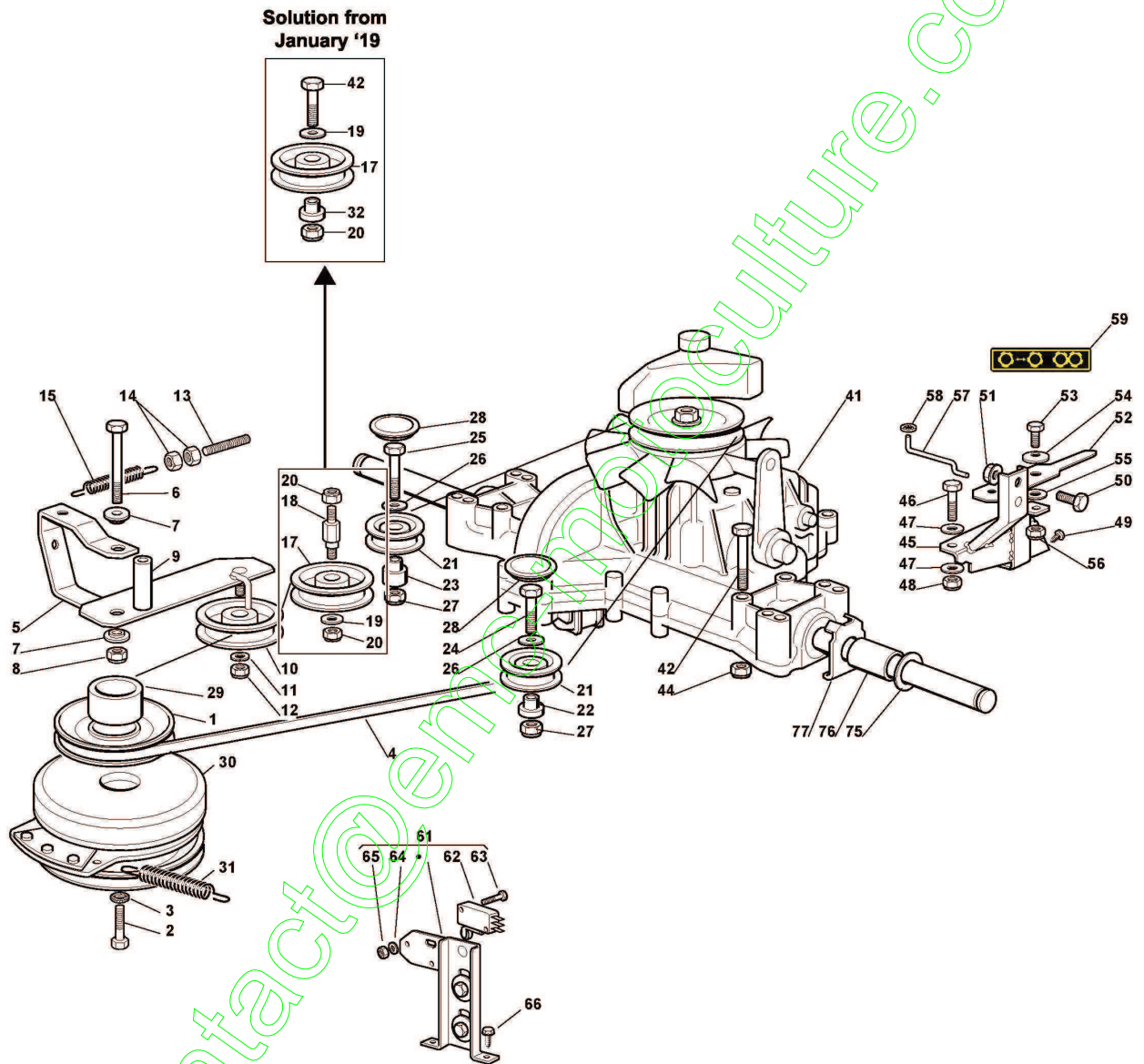
Commande Frein Et Boite De Vitesse - TT

| Réf. N° | Q.té : | Code article | Description | Articles | De | Jusqu'à |
|---------|--------|--------------|-----------------------|----------|------------|------------|
| 1 | 1 | 382500011/2 | Pedal | | | |
| 2 | 1 | 325110416/0 | Couvre Etrier | | | |
| 3 | 1 | 325547081/2 | Plaquette | | | |
| 4 | 4 | 112731601/0 | Vis | | | |
| 5 | 1 | 382000582/0 | Tige | | | |
| 6 | 2 | 112521350/0 | Rondelle | | | |
| 7 | 2 | 112155000/0 | Ecrou | | | |
| 8 | 2 | 112521360/0 | Rondelle | | | |
| 9 | 1 | 112155000/0 | Ecrou | | | |
| 21 | 1 | 325785143/1 | Support | | | |
| 22 | 2 | 112815210/0 | Vis | | | |
| 23 | 1 | 112523040/0 | Rondelle | | | |
| 24 | 2 | 112154510/0 | Ecrou | | | |
| 25 | 1 | 325253001/0 | Accrochage | | | |
| 26 | 1 | 122524970/3 | Goupille | | | |
| 27 | 1 | 325670011/0 | Rondelle Antifriction | | | |
| 28 | 1 | 112155000/0 | Ecrou | | | |
| 31 | 1 | 125430213/0 | Ressort | | | |
| 36 | 1 | 125033034/0 | Tige | | | |
| 37 | 1 | 125394509/1 | Poignée | | | |
| 38 | 1 | 112523020/0 | Rondelle | | | |
| 41 | 1 | 382000391/1 | Pedale Transmission | | | |
| 42 | 1 | 325110417/0 | Couvre Etrier Avant | | | |
| 43 | 1 | 325110418/0 | Couvre Etrier Arriere | | | |
| 44 | 4 | 325785354/0 | Support | | | |
| 45 | 4 | 325034003/0 | Douille | | | |
| 46 | 4 | 112815271/0 | Vis | | | |
| 47 | 4 | 112523040/0 | Rondelle | | | |
| 48 | 4 | 112154510/0 | Ecrou | | | |
| 50 | 1 | 382000579/0 | Tige | | | |
| 51 | 1 | 112523040/0 | Rondelle | | | |
| 52 | 1 | 112154510/0 | Ecrou | | | |
| 53 | 1 | 112521360/0 | Rondelle | | | |
| 54 | 1 | 112523040/0 | Rondelle | | | |
| 55 | 1 | 112154510/0 | Ecrou | | | |
| 56 | 1 | 325785481/0 | Support Micro | | | |
| 57 | 1 | 325060034/1 | Came | | | |
| 58 | 1 | 112735404/0 | Vis | | | |
| 59 | 2 | 112793102/0 | Vis | | | |
| 60 | 2 | 112154220/0 | Ecrou | | From | |
| 60 | 2 | 112293201/0 | Ecrou | | | To |
| 67 | 1 | 119410614/0 | Microinterrupteur | | | 31-August- |
| 67 | 1 | 119410623/0 | Microinterrupteur | | From | 2016 |
| | | | | | 01-Septem- | |
| | | | | | ber-2019 | |



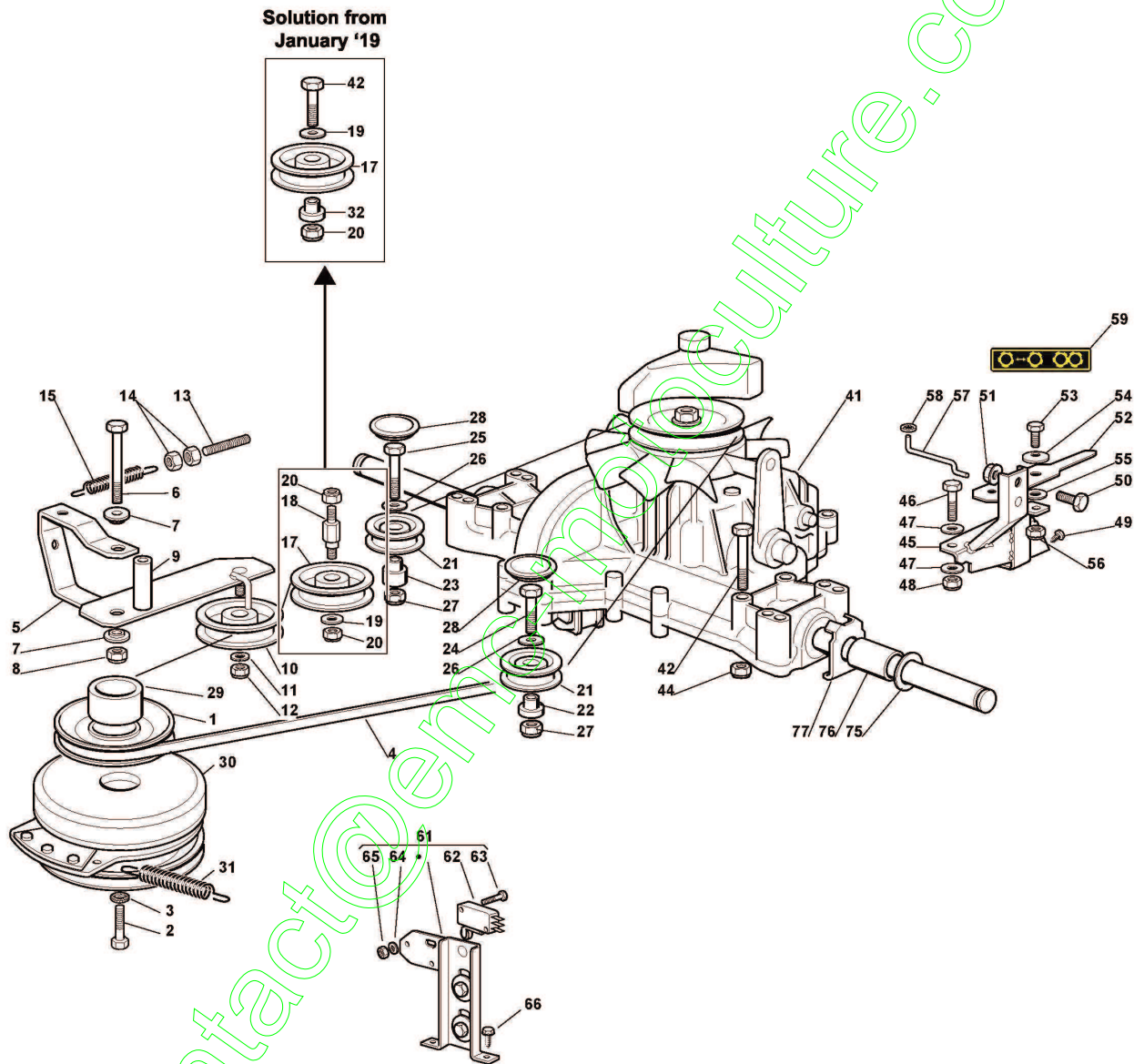
Moteur - Kawasaki

| Réf. N° | Q.té : | Code article | Description | Articles | De | Jusqu'à |
|---------|--------|--------------|------------------------------|----------|-------------------------------|---------|
| 1 | 2 | 118375051/1 | Fixation De Cable | | | |
| 2 | 1 | 325869057/0 | Tube De Connexion | | | |
| 3 | 1 | 127598060/0 | Rallonge Dechargement Huile | | | |
| 4 | 1 | 118401001/1 | Garniture | | | |
| 5 | 1 | 118737849/0 | Bouchon | | | |
| 6 | 1 | 118738256/0 | Connexion Echappement Gauche | | | |
| 7 | 1 | 118738257/0 | Connexion Echappement Droite | | | |
| 8 | 3 | 112360425/0 | Ecrou | | | |
| 9 | 3 | 112793102/0 | Vis | | | |
| 10 | 2 | 112540260/0 | Rondelle | | | |
| 11 | 1 | 182750014/0 | Silencieux | | | |
| 12 | 2 | 112280100/0 | Ecrou | | | |
| 13 | 1 | 382598065/0 | Protection Silencieux | | | |
| 14 | 2 | 112583500/0 | Grower | | | |
| 15 | 2 | 112792611/0 | Vis | | | |
| 16 | 4 | 112540070/0 | Rondelle | | | |
| 17 | 4 | 112735821/0 | Vis | | | |
| 18 | 1 | 112792611/0 | Vis | | | |
| 19 | 1 | 112521350/0 | Rondelle | | | |
| 20 | 1 | 127430562/1 | Ressort | | | |
| 21 | 3 | 112540260/0 | Rondelle | | | |
| 22 | 3 | 112793102/0 | Vis | | | |
| 23 | 1 | 125090001/2 | Commande Starter | | | |
| 24 | 1 | 182000201/2 | Accelerateur | | | |
| 25 | 2 | 125943012/0 | Vis | | | |
| 26 | 1 | 325592000/0 | Pommeau | | | To |
| 26 | 1 | 325592000/1 | Poignee | | From 01-Septem ber-2013 | |
| 27 | 1 | 112726388/0 | Vis | | | |
| 28 | 1 | 112290800/0 | Ecrou | | | |
| 29 | 1 | 325735111/3 | Reservoir | | | |
| 30 | 1 | 125795000/1 | Bouchon Reservoir | | | |
| 30 | 1 | 125795001/1 | Bouchon | | From | |
| 31 | 1 | 112788910/0 | Vis | | | |
| 32 | 1 | 112500092/0 | Rivet | | | |
| 33 | 2 | 112361005/0 | Ecrou | | | |
| 34 | 1 | 118736113/0 | Relais D'Allumage | | | |
| 35 | 1 | 125065017/0 | Cable | | | |
| 36 | 2 | 112791011/0 | Vis | | | |
| 37 | 2 | 112292102/0 | Ecrou | | | |



Transmission TT avec Embrayage Electromagnétique

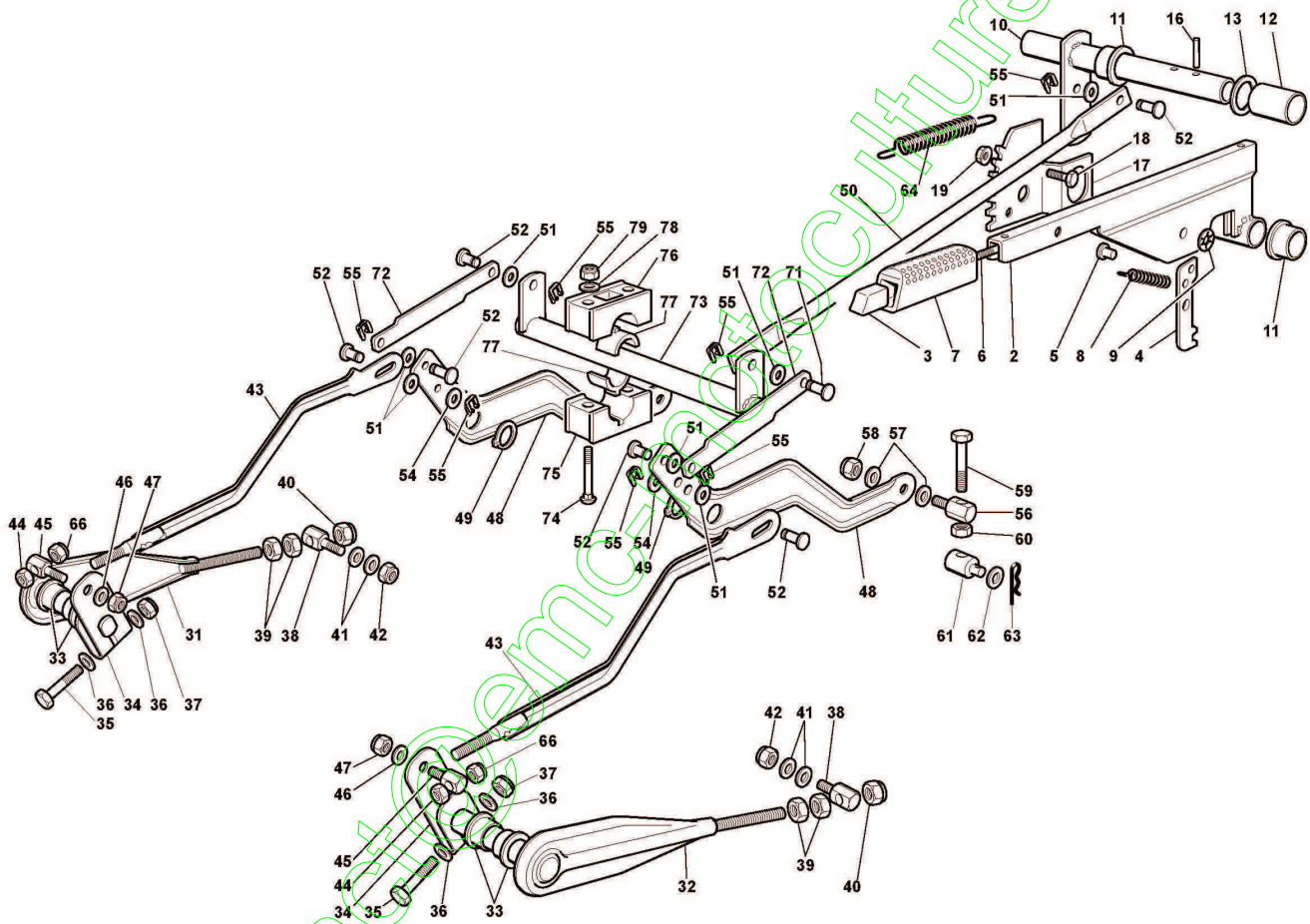
| Réf. N° | Q.té : | Code article | Description | Articles | De | Jusqu'à |
|---------|--------|--------------|----------------------------|----------|------|----------------|
| 1 | 1 | 125601566/1 | Poulie | | | |
| 2 | 1 | 112737320/0 | Vis | | | |
| 3 | 1 | 112543000/0 | Rondelle | | | |
| 4 | 1 | 135062020/1 | Courroie Trapézoïdale | | | |
| 5 | 1 | 382318165/1 | Levier | | | To |
| 5 | 1 | 382318165/2 | Levier | | From | 31-August-2016 |
| 6 | 1 | 112793905/0 | Vis | | | |
| 7 | 2 | 125038002/1 | Douille | | | |
| 8 | 1 | 112155000/0 | Ecrou | | | |
| 9 | 1 | 125160027/0 | Entretoise | | | |
| 10 | 1 | 125601554/0 | Poulie | | | |
| 11 | 1 | 112523060/0 | Rondelle | | | |
| 12 | 1 | 112155000/0 | Ecrou | | | |
| 13 | 1 | 125840010/1 | Tirant | | | |
| 14 | 2 | 112293200/0 | Ecrou | | | |
| 15 | 1 | 125430219/0 | Ressort | | | |
| 17 | 1 | 325601599/0 | Poulie | | | |
| 18 | 1 | 125510139/0 | Pivot | | | |
| 19 | 2 | 112523060/0 | Rondelle | | | |
| 20 | 3 | 112155000/0 | Ecrou | | | |
| 21 | 2 | 325601570/1 | Poulie | | | |
| 22 | 1 | 125160030/2 | Entretoise Gauche | | | |
| 23 | 1 | 125160024/2 | Entretoise | | | |
| 24 | 1 | 112691115/0 | Vis | | | |
| 25 | 1 | 112691400/0 | Vis | | | |
| 26 | 2 | 112523060/0 | Rondelle | | | |
| 27 | 2 | 112155000/0 | Ecrou | | | |
| 28 | 2 | 125109521/1 | Couvercle | | | |
| 29 | 1 | 125160021/0 | Entretoise | | | |
| 30 | 1 | 118399062/0 | Friction | | | |
| 31 | 1 | 125430210/1 | Ressort Frein | | | |
| 32 | 1 | 125160056/0 | Entretoise | | | |
| 41 | 1 | 118400950/1 | Axe Arriere Tuff Torq K46F | | | |
| 42 | 5 | 112691800/0 | Vis | | | |
| 44 | 4 | 112154210/0 | Ecrou | | | |
| 45 | 1 | 382785109/1 | Support | | | |
| 46 | 1 | 112691200/0 | Vis | | | |
| 47 | 2 | 112521350/0 | Rondelle | | | |
| 48 | 1 | 112155000/0 | Ecrou | | | |
| 49 | 2 | 112735120/0 | Vis | | | |
| 50 | 1 | 112792611/0 | Vis | | | |
| 51 | 1 | 112154220/0 | Ecrou | | From | |
| 51 | 1 | 112293201/0 | Ecrou | | | To |
| 52 | 1 | 325318157/0 | Levier | | | 31-August-2016 |
| 53 | 1 | 112793102/0 | Vis | | | |
| 54 | 1 | 112369500/0 | Disque Elastique | | | |
| 55 | 1 | 325670011/0 | Rondelle Antifriction | | | |
| 56 | 1 | 112155000/0 | Ecrou | | | |



Transmission TT avec Embrayage Electromagnétique

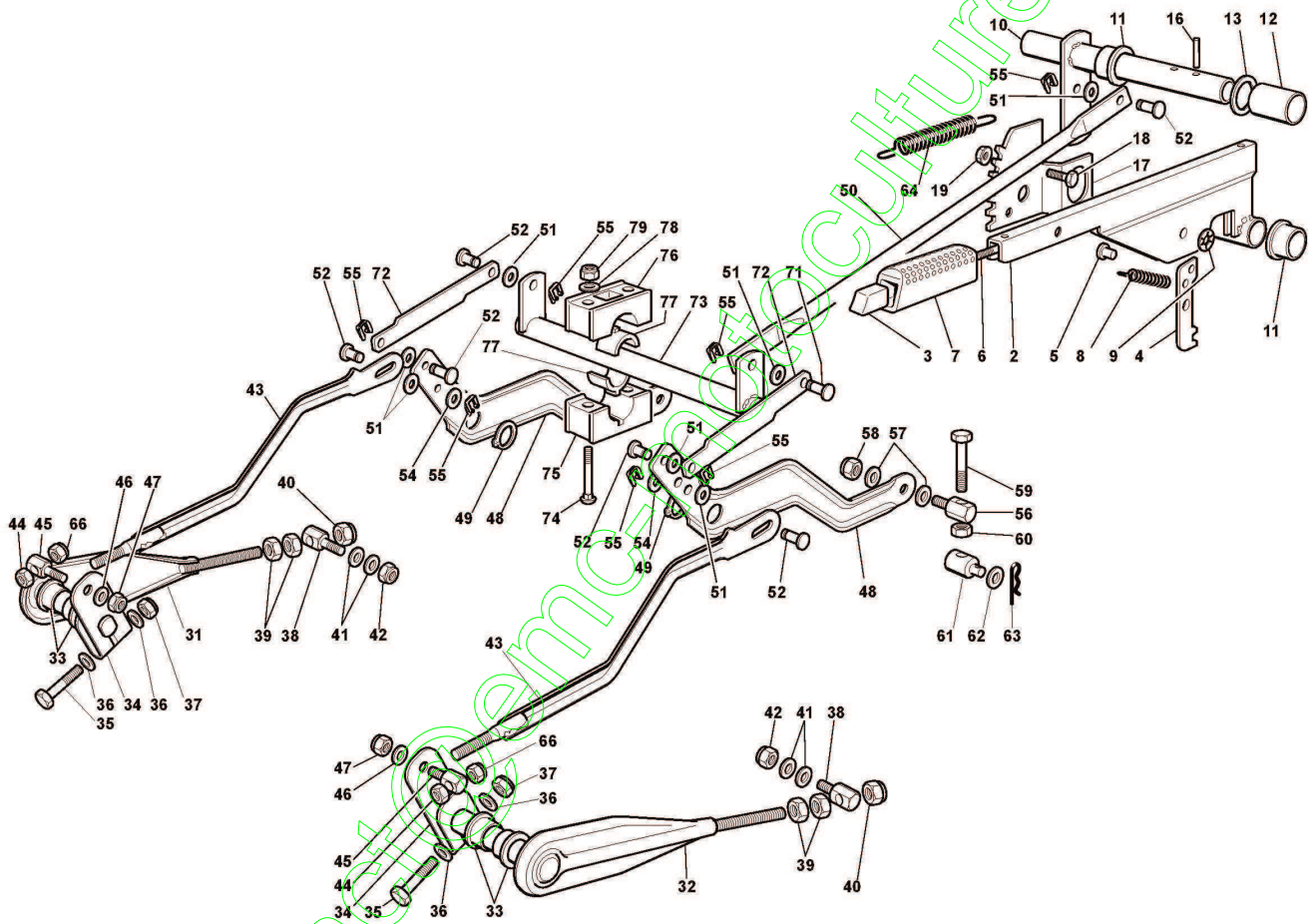
| Réf. N° | Q.té : | Code article | Description | Articles | De | Jusqu'à |
|---------|--------|---------------|---------------------|----------|------|----------------|
| 57 | 1 | 125033033/0 | Tige | | | To |
| 57 | 1 | 125033033/1 | Tige | | From | 31-August-2014 |
| 58 | 1 | 112604896/0 | Fixateur A Couronne | | | |
| 59 | 1 | 114357423/2 | Etiquette | | | |
| 61 | 1 | 382394853/0LC | Micro. Ens. | | | |
| 62 | 1 | 119410609/1LC | Microinterrupteur | | | |
| 63 | 2 | 112735602/0 | Vis | | | |
| 64 | 2 | 112581100/0 | Grower | | | |
| 65 | 2 | 112290791/0 | Ecrou | | | |
| 66 | 2 | 112735110/0 | Vis | | | |
| 75 | 4 | 112521410/0 | Rondelle | | | |
| 76 | 2 | 125160023/0 | Entretoise | | | |
| 77 | 2 | 325670025/0 | Rondelle | | | |

contact@emc-motoculture.com



Soulevement Plateau De Coupe

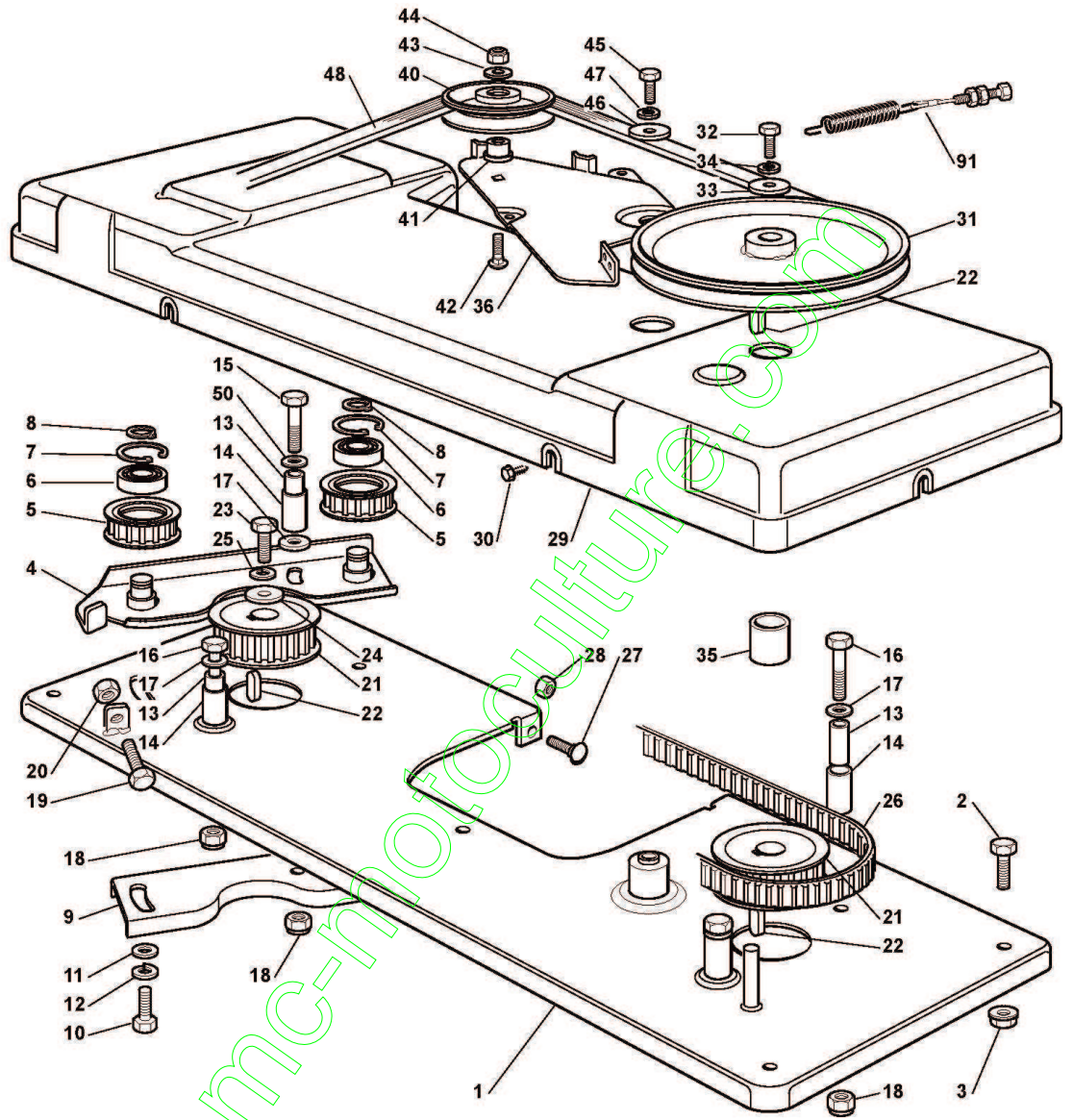
| Réf. N° | Q.té : | Code article | Description | Articles | De | Jusqu'à |
|---------|--------|--------------|----------------------------------|----------|-------------------------------|--------------------------|
| 2 | 1 | 382318139/0 | Levier Soulevement Plateau Coupe | | | To 31-August- 2016 |
| 2 | 1 | 382318139/1 | Levier Soulevement Plateau Coupe | | From 01-Septem | |
| 3 | 1 | 125605000/1 | Poussoir | | | |
| 4 | 1 | 325470901/0 | Declic | | | To |
| 4 | 1 | 325470901/1 | Declic | | From 01-Septem ber-2011 | To |
| 5 | 1 | 125510011/0 | Pivot | | | To |
| 5 | 1 | 125510011/1 | Pivot | | From 01-Septem ber-2013 | To |
| 6 | 1 | 125033002/0 | Tige | | | To |
| 6 | 1 | 125033002/1 | Tige | | From 01-Septem ber-2011 | |
| 7 | 1 | 325394536/0 | Poignée | | | |
| 8 | 1 | 125430208/0 | Ressort | | | To 31-August- 2015 |
| 8 | 1 | 125430208/1 | Ressort | | From | |
| 9 | 1 | 112604899/0 | Fixateur A Couronne | | | |
| 10 | 1 | 382000551/0 | Axe | | | |
| 11 | 2 | 122034523/0 | Douille | | | |
| 12 | 1 | 125160025/0 | Entretoise | | | To |
| 12 | 1 | 125160025/1 | Entretoise | | From 01-Septem ber-2015 | |
| 13 | 1 | 322672153/0 | Rondelle Antifriction | | | |
| 16 | 2 | 112620206/0 | Goupille | | | |
| 17 | 1 | 325735506/1 | Secteur, Gauche | | | To |
| 17 | 1 | 325735506/2 | Secteur, Gauche | | From 01-Septem ber-2015 | |
| 18 | 2 | 112792611/0 | Vis | | | |
| 19 | 2 | 112154220/0 | Ecrou | | From | |
| 19 | 2 | 112293201/0 | Ecrou | | From 01-Septem ber-2016 | To |
| 31 | 1 | 382318155/0 | Front Right Fulcrum Lever | | | |
| 32 | 1 | 382318157/0 | Point D'Appui | | | |
| 33 | 4 | 125040605/0 | Douille | | | |
| 34 | 2 | 325318161/0 | Levier | | | |
| 35 | 2 | 112691700/0 | Vis | | | |
| 36 | 4 | 112521350/0 | Rondelle | | | |
| 37 | 2 | 112155000/0 | Ecrou | | | |
| 38 | 2 | 125510056/0 | Pivot | | | |
| 39 | 4 | 112295200/0 | Ecrou | | | |
| 40 | 2 | 112156602/0 | Ecrou | | | |
| 41 | 4 | 325670008/1 | Rondelle | | | |
| 42 | 2 | 112156602/0 | Ecrou | | | |
| 43 | 2 | 382000477/2 | Ens. Tige De Connexion | | | To 31-August- 2011 |
| 43 | 1 | 382000477/3 | Tige De Connexion | | From | |
| 44 | 2 | 112155000/0 | Ecrou | | | |
| 45 | 2 | 125510055/1 | Pivot | | | |
| 46 | 2 | 112521350/0 | Rondelle | | | |
| 47 | 2 | 112155000/0 | Ecrou | | | |
| 48 | 2 | 325318153/1 | Levier Arriere | | | |
| 49 | 2 | 112609255/0 | Seeger | | | |
| 50 | 1 | 325033071/0 | Tige | | | |
| 51 | 7 | 325670011/0 | Rondelle Antifriction | | | |
| 52 | 7 | 125510117/0 | Pivot | | | |



Soulevement Plateau De Coupe

| Réf. N° | Q.té : | Code article | Description | Articles | De | Jusqu'à |
|---------|--------|--------------|-------------|----------|-------------------------------|---------|
| 54 | 2 | 112521350/0 | Rondelle | | | |
| 55 | 7 | 112436050/0 | Plaquette | | | |
| 56 | 2 | 125510056/0 | Pivot | | | |
| 57 | 4 | 325670008/1 | Rondelle | | | |
| 58 | 2 | 112156602/0 | Ecrou | | | |
| 59 | 2 | 112794980/0 | Vis | | | |
| 60 | 2 | 112295200/0 | Ecrou | | | |
| 61 | 2 | 125510070/0 | Pivot | | | |
| 62 | 2 | 112523090/0 | Rondelle | | | |
| 63 | 2 | 124487998/0 | Goupille | | | |
| 64 | 1 | 125430218/0 | Ressort | | | To |
| 64 | 1 | 125430218/1 | Ressort | | From 01-Septem ber-2015 | |
| 66 | 2 | 112293200/0 | Ecrou | | | |
| 71 | 1 | 125510048/1 | Pivot | | | |
| 72 | 2 | 325318223/0 | Levier | | | |
| 73 | 1 | 382000585/0 | Axe | | | |
| 74 | 4 | 112815271/0 | Vis | | | |
| 75 | 2 | 325785355/0 | Support | | | |
| 76 | 2 | 325785354/0 | Support | | | |
| 77 | 4 | 325034003/0 | Douille | | | |
| 78 | 4 | 112523040/0 | Rondelle | | | |
| 79 | 4 | 112154510/0 | Ecrou | | | |

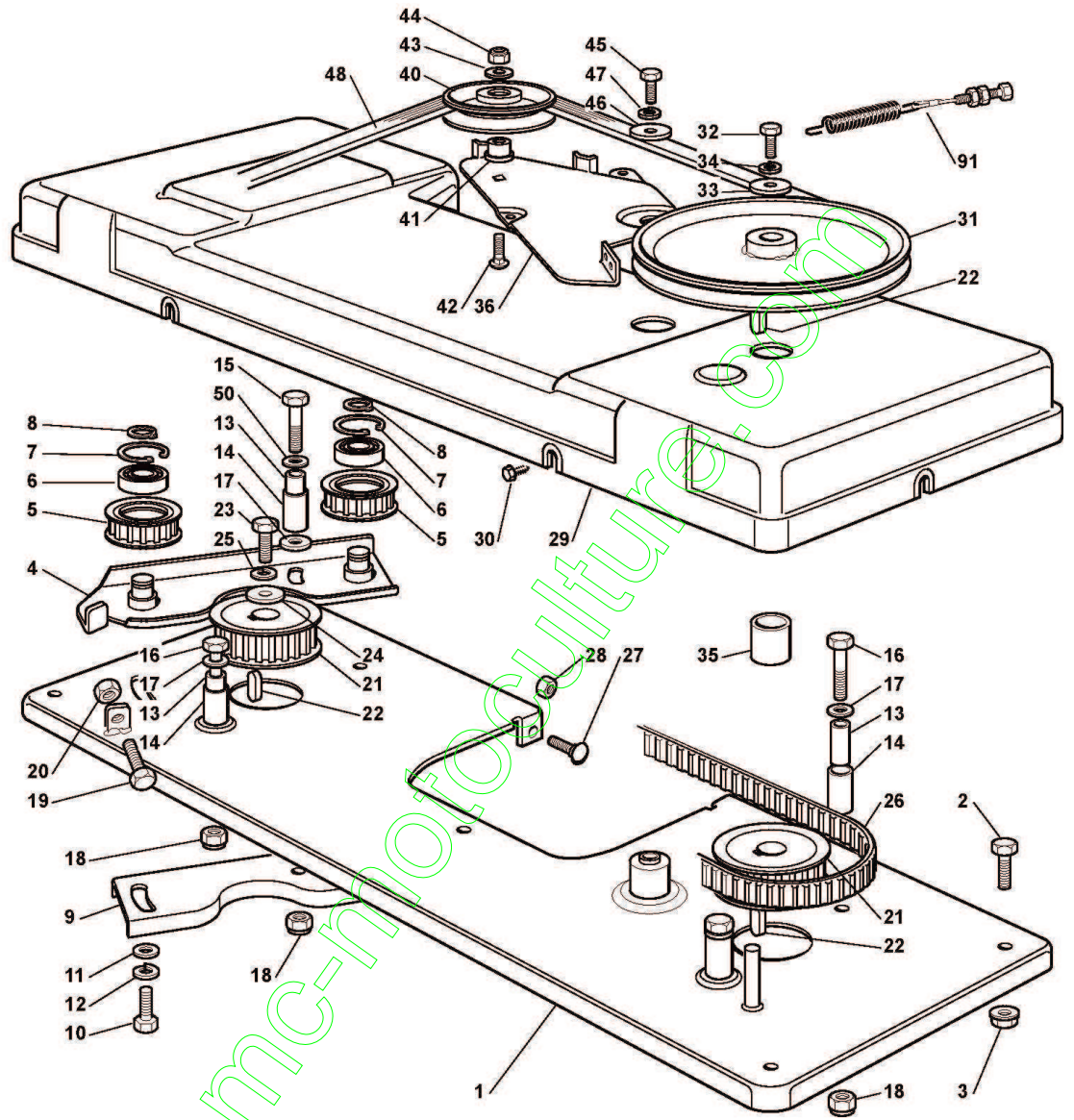
contact@emc-motoculture.com



Embrayage des Lames

| Réf. N° | Q.té : | Code article | Description | Articles | De | Jusqu'à |
|---------|--------|--------------|----------------------|----------|-------------------|-------------------|
| 1 | 1 | 382547029/0 | Plaque | | | To |
| 1 | 1 | 382547029/1 | Plaque | | From | 31-August-2011 |
| 1 | 1 | 382547029/2 | Plaque | | From | To |
| 1 | 1 | 382547029/3 | Plaque | | 01-September-2012 | 31-August-2015 |
| 2 | 4 | 112792611/0 | Vis | | | To |
| 2 | 4 | 112793102/0 | Vis | | From | 31-August-2016 |
| 3 | 4 | 112154220/0 | Ecrou | | From | |
| 3 | 4 | 112293201/0 | Ecrou | | 01-September-2016 | To |
| 4 | 1 | 382785084/1 | Support | | | To |
| 4 | 1 | 382785084/2 | Support | | From | 31-August-2015 |
| 5 | 2 | 125601559/1 | Poulie | | | |
| 6 | 2 | 119216048/0 | Roulement | | | |
| 7 | 2 | 112610800/0 | Anneau Ressort | | | |
| 8 | 2 | 112609200/0 | Seeger | | | |
| 9 | 1 | 325650037/0 | Reinforcement Poulie | | | To |
| 9 | 1 | 325650037/1 | Reinforcement Poulie | | From | 31-August-2015 |
| 10 | 2 | 112793102/0 | Vis | | | To |
| 10 | 2 | 9959-0820-16 | Vis | | From | 31-August-2016 |
| 11 | 2 | 112521350/0 | Rondelle | | | |
| 12 | 2 | 112583500/0 | Grower | | | |
| 13 | 4 | 125160003/1 | Entretoise | | | To |
| 13 | 4 | 125160003/2 | Entretoise | | From | 31-August-2014 |
| 14 | 4 | 125038000/0 | Douille | | | |
| 15 | 1 | 112691700/0 | Vis | | | |
| 16 | 3 | 112691200/0 | Vis | | | |
| 17 | 4 | 112521350/0 | Rondelle | | | |
| 18 | 4 | 112293201/0 | Ecrou | | | |
| 19 | 1 | 112793900/0 | Vis | | | |
| 20 | 1 | 112293200/0 | Ecrou | | | |
| 21 | 2 | 125601560/0 | Poulie | | | |
| 22 | 3 | 112139480/0 | Clavette | | | |
| 23 | 1 | 112793102/0 | Vis | | | |
| 24 | 1 | 125670007/0 | Rondelle | | | |
| 25 | 1 | 112583500/0 | Grower | | | |
| 26 | 1 | 135065605/0 | Courroie | | | |
| 27 | 3 | 112815200/0 | Vis | | | |
| 28 | 3 | 112292102/0 | Ecrou | | | |
| 29 | 1 | 125060100/3 | Protection | | | To |
| 29 | 1 | 325060128/0 | Carter | | From | 01-September-2014 |
| 30 | 6 | 112735110/0 | Vis | | | |
| 31 | 1 | 125601550/0 | Poulie | | | |
| 32 | 1 | 112793102/0 | Vis | | | |
| 33 | 1 | 125670007/0 | Rondelle | | | |
| 34 | 1 | 112583500/0 | Grower | | | |
| 35 | 1 | 125160002/0 | Entretoise | | | To |
| 35 | 1 | 125160002/1 | Entretoise | | From | 31-August-2015 |
| 36 | 1 | 325318115/1 | Levier | | | To |
| 36 | 1 | 325318115/2 | Levier Frein | | From | 01-September-2015 |

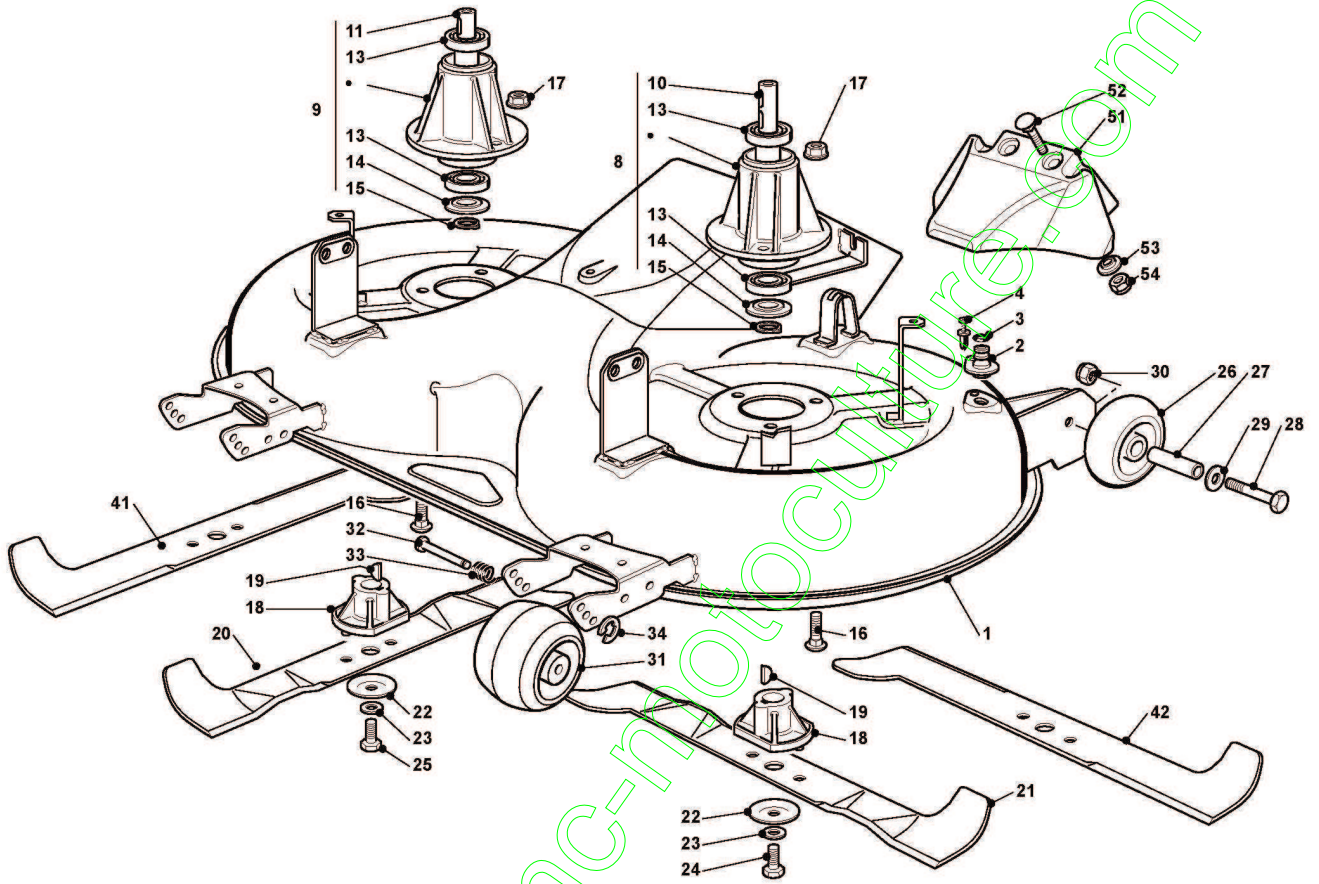
contact@enc-motoculture.com



Embrayage des Lames

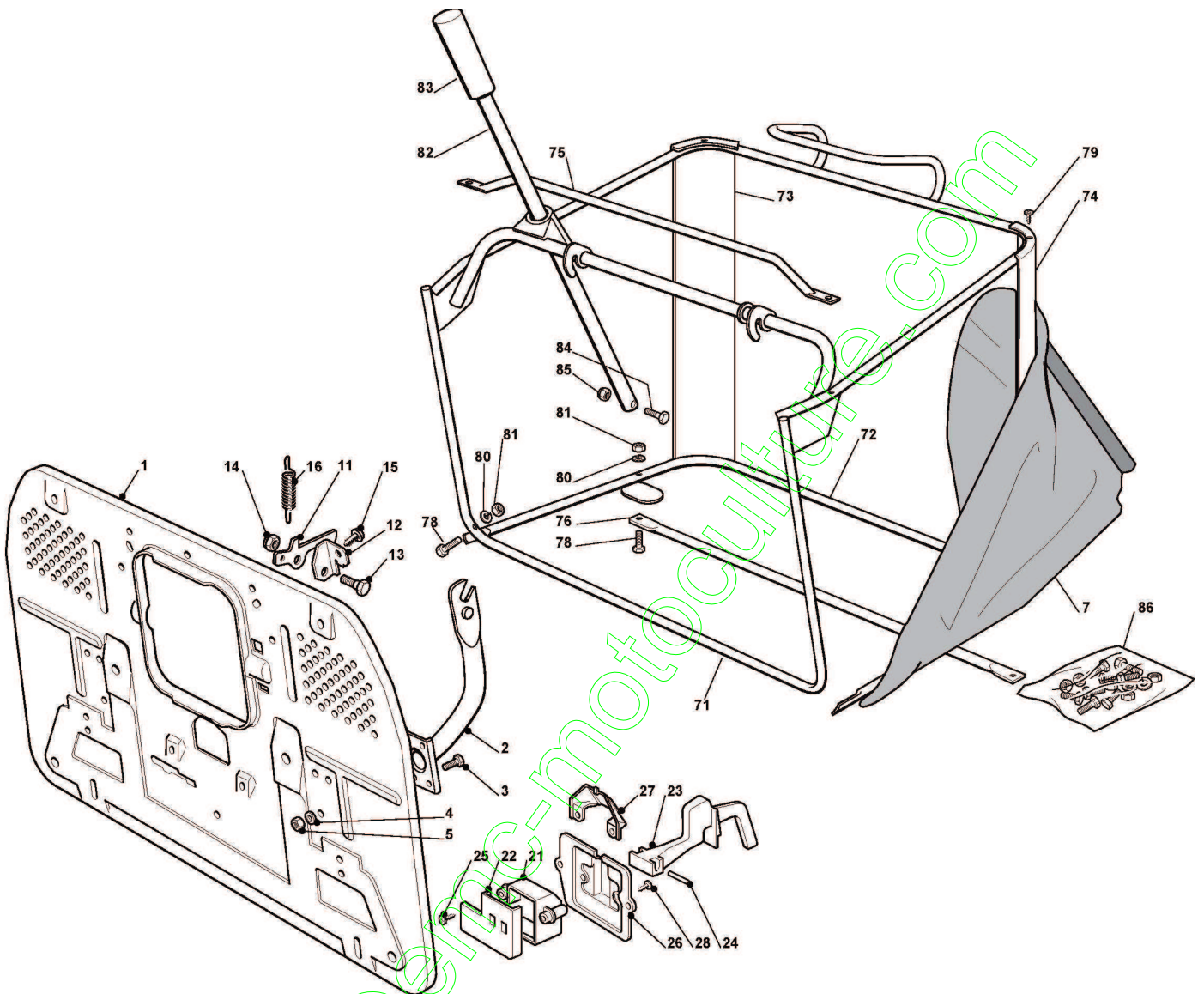
| Réf. N° | Q.té : | Code article | Description | Articles | De | Jusqu'à |
|---------|--------|--------------|-------------|----------|-------------------|----------------|
| 40 | 1 | 125601555/0 | Poulie | | | To |
| 40 | 1 | 325601599/0 | Poulie | | From | 31-August-2013 |
| 41 | 1 | 125160007/0 | Entretoise | | | To |
| 41 | 1 | 125160007/1 | Entretoise | | From | 31-August-2010 |
| 41 | 1 | 125160079/0 | Entretoise | | From | |
| 42 | 1 | 112818900/0 | Vis | | 01-September-2013 | |
| 43 | 1 | 112523060/0 | Rondelle | | | |
| 44 | 1 | 112155000/0 | Ecrou | | | |
| 45 | 1 | 112793102/0 | Vis | | | To |
| 45 | 1 | 9959-0820-16 | Vis | | From | 31-August-2016 |
| 46 | 1 | 112523070/0 | Rondelle | | | |
| 47 | 1 | 112583500/0 | Grower | | | |
| 48 | 1 | 135062811/0 | Courroie | | | |
| 50 | 1 | 112523060/0 | Rondelle | | | To |
| 50 | 1 | 122671651/0 | Rondelle | | From | |
| 91 | 1 | 182004608/0 | Fil | | 01-September-2014 | |

contact@emc-motoculture.com



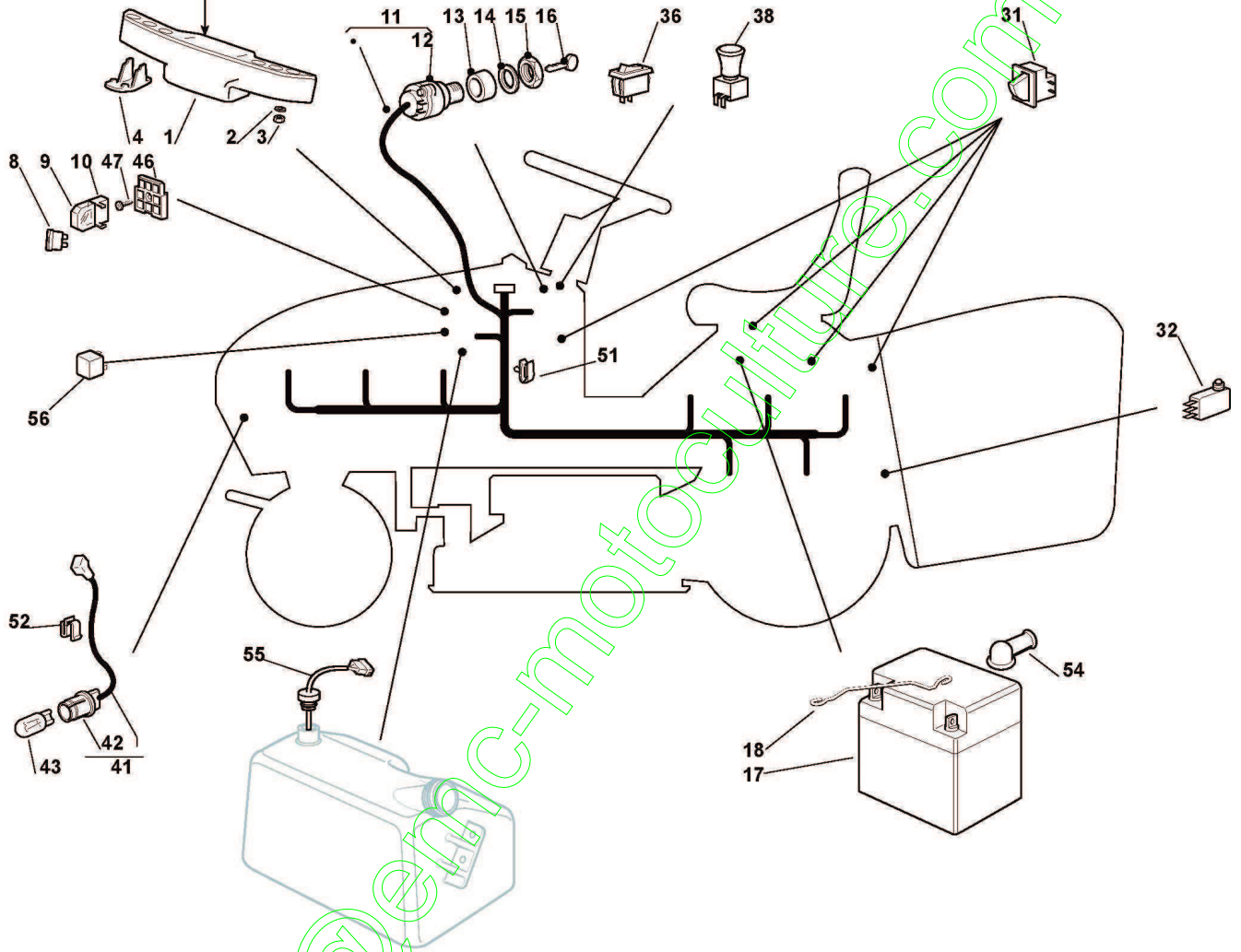
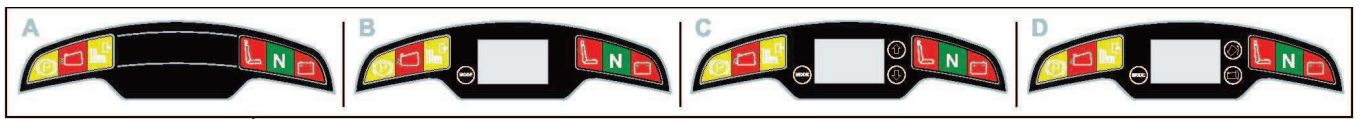
Plateau De Coupe

| Réf. N° | Q.té : | Code article | Description | Articles | De | Jusqu'à |
|---------|--------|--------------|---------------------------------|----------|-------------------|----------------|
| 1 | 1 | 382564132/0 | Plateau De Coupe Rouge | | | |
| 1 | 1 | 382564153/0 | Plateau De Coupe Gris | | | |
| 2 | 2 | 125033060/0 | Attaque Lavage Plateau De Coupe | | | |
| 3 | 2 | 119035000/0 | Joint Or | | | |
| 4 | 2 | 112500030/0 | Rivet | | | |
| 8 | 1 | 382207200/1 | Ensamble Bride | | | |
| 9 | 1 | 382207201/2 | Flange Arbre Lame Secondaire | | | |
| 10 | 1 | 125020800/1 | Arbre Lame Principal | | | |
| 11 | 1 | 125020801/2 | Arbre Lame Secondaire | | | |
| 13 | 4 | 119216032/0 | Roulement | | | |
| 14 | 2 | 325160501/0 | Protege-Poussiere | | | |
| 15 | 2 | 112609260/0 | Seeger | | | |
| 16 | 6 | 112818700/0 | Vis | | | |
| 17 | 6 | 112154210/0 | Ecrou | | | |
| 18 | 2 | 125463200/0 | Moyeu Lame | | | |
| 19 | 2 | 112139100/0 | Languette | | | |
| 20 | 1 | 182004348/0 | Lame Droit Mulching, Aillettee | | | |
| 21 | 1 | 182004347/0 | Lame Gauche Mulching, Aillettee | | | |
| 22 | 2 | 122160400/0 | Disque Elastique | | | To |
| 22 | 2 | 125160503/0 | Flasque Elastique Moyeu | | From | 31-August-2015 |
| 23 | 2 | 112523080/0 | Rondelle | | | To |
| 24 | 1 | 112735694/0 | Vis | | | 31-August-2015 |
| 24 | 1 | 112735696/0 | Vis | | From | |
| 25 | 1 | 112735695/1 | Vis | | 01-September-2015 | To |
| 25 | 1 | 112735697/1 | Vis | | From | |
| 26 | 2 | 182700003/0 | Roulettes Antiscalp | | 01-September-2015 | |
| 27 | 2 | 125510072/0 | Pivot | | | |
| 28 | 2 | 112692050/0 | Vis | | | |
| 29 | 2 | 112523060/0 | Rondelle | | | |
| 30 | 2 | 112293201/0 | Ecrou | | | |
| 31 | 2 | 182700004/0 | Roulettes Antiscalp | | | |
| 32 | 2 | 125510121/0 | Pivot | | | |
| 33 | 2 | 122450115/0 | Ressort | | | |
| 34 | 2 | 112000930/0 | Anneau Benzing | | | |
| 41 | 1 | 182004341/1 | Lame Droit, Aillettee | | | |
| 42 | 1 | 182004340/1 | Lame Gauche, Aillettee | | | |
| 51 | 1 | 325140100/0 | Deflecteur | | | |
| 52 | 2 | 112815210/0 | Vis | | | |
| 53 | 2 | 125038002/1 | Douille | | | |
| 54 | 2 | 112154510/0 | Ecrou | | | |



Bac

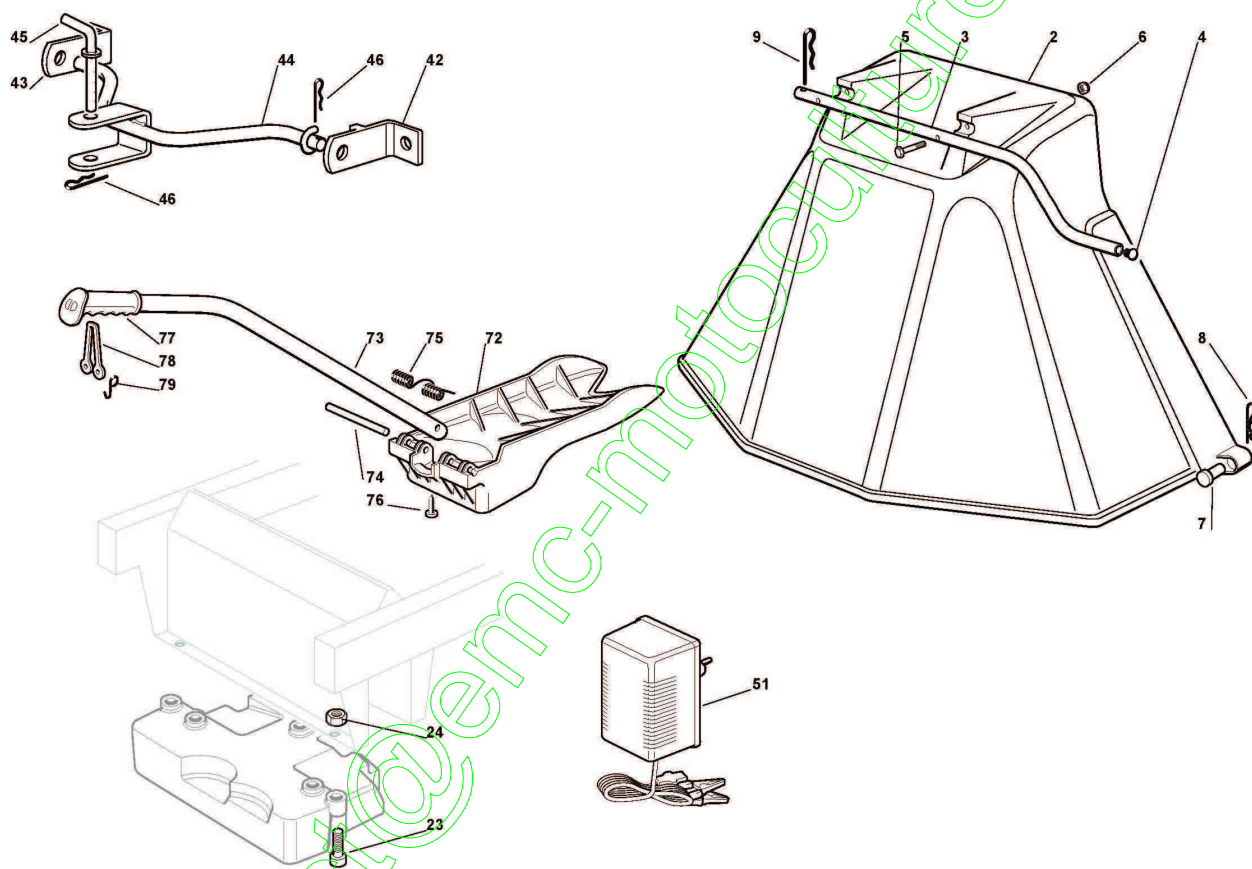
| Réf. N° | Q.té : | Code article | Description | Articles | De | Jusqu'à |
|---------|--------|--------------|------------------------------------|--------------------|--------------------------|----------------|
| 1 | 1 | 382547051/0 | Plaque Arriere | | | To |
| 1 | 1 | 382547051/1 | Plaque Arriere | | From | 31-August-2016 |
| 2 | 2 | 182774225/1 | Etrier | | | |
| 3 | 6 | 112793102/0 | Vis | | | |
| 4 | 6 | 112523060/0 | Rondelle | | | |
| 5 | 6 | 112293201/0 | Ecrou | | | |
| 7 | 1 | 182106000/2 | Sac | Black without Logo | | |
| 11 | 1 | 325774315/1 | Etrier | | From | |
| 11 | 1 | 325774417/0 | Etrier | | | To |
| 12 | 1 | 325755031/0 | Etrier | | | 31-August-2010 |
| 12 | 1 | 325755031/1 | Equerre-Support | | From | To |
| 12 | 1 | 325755031/2 | Equerre-Support | | 01-September-2010 | 31-August-2015 |
| 13 | 1 | 125510080/0 | Pivot | | | To |
| 13 | 1 | 125510080/1 | Pivot | | From | 31-August-2010 |
| 13 | 1 | 125510080/2 | Pivot | | From | |
| 14 | 1 | 112292102/0 | Ecrou | | 01-September-2016 | |
| 15 | 1 | 112735122/0 | Vis | | | To |
| 15 | 1 | 112735122/1 | Vis | | From | 31-August-2014 |
| 15 | 1 | 112735661/0 | Vis | | From | |
| 16 | 1 | 125430210/1 | Ressort Frein | | 01-September-2016 | |
| 16 | 1 | 127430579/0 | Ressort | | | To |
| 21 | 1 | 125600041/0 | Grassc.Full Micro Protection Tcj-F | | | 31-August-2010 |
| 22 | 1 | 125600042/0 | Grasscatcher Micro Prot Cover | | | |
| 23 | 1 | 125318124/0 | Levier Microint. | | | |
| 24 | 1 | 112400030/0 | Pivot | | | |
| 25 | 1 | 112728510/0 | Vis | | | |
| 26 | 1 | 325785272/0 | Protection Micro | | | To |
| 26 | 1 | 325785272/1 | Protection Micro | | From | 31-August-2017 |
| 27 | 1 | 125600048/0 | Couvercle Micro | | | |
| 28 | 2 | 112728450/0 | Vis | | | |
| 71 | 1 | 382800051/0 | Chassis Superieur | | | |
| 72 | 1 | 382800002/2 | Chassis Inferieur | | | |
| 73 | 1 | 325032001/1 | Support Angulaire Droit | | | |
| 74 | 1 | 325032002/1 | Support Angulaire Gauche | | | |
| 75 | 1 | 382394001/2 | Poignee Anterieure | | | |
| 76 | 1 | 382650038/0 | Renforcement Inferieure | | | To S/N |
| 76 | 1 | 382650038/1 | Renforcement Inferieure | | From S/N 19KA1RON 000308 | |
| 78 | 4 | 112792099/0 | Vis | | | |
| 79 | 4 | 112729601/0 | Vis | | | To |
| 79 | 4 | 112729601/1 | Vis | | From | 31-August-2003 |
| 80 | 4 | 112582101/0 | Grower | | | |
| 81 | 4 | 112292100/0 | Ecrou | | | |
| 82 | 1 | 125869029/1 | Tube | | | |
| 83 | 1 | 125394508/0 | Poignée | | | |
| 84 | 1 | 112792099/0 | Vis | | | |
| 85 | 1 | 112154510/0 | Ecrou | | | |
| 86 | 1 | 382180027/1 | Dotation Visserie | | | |



contact@enc-motocycling.com

Parties Electriques

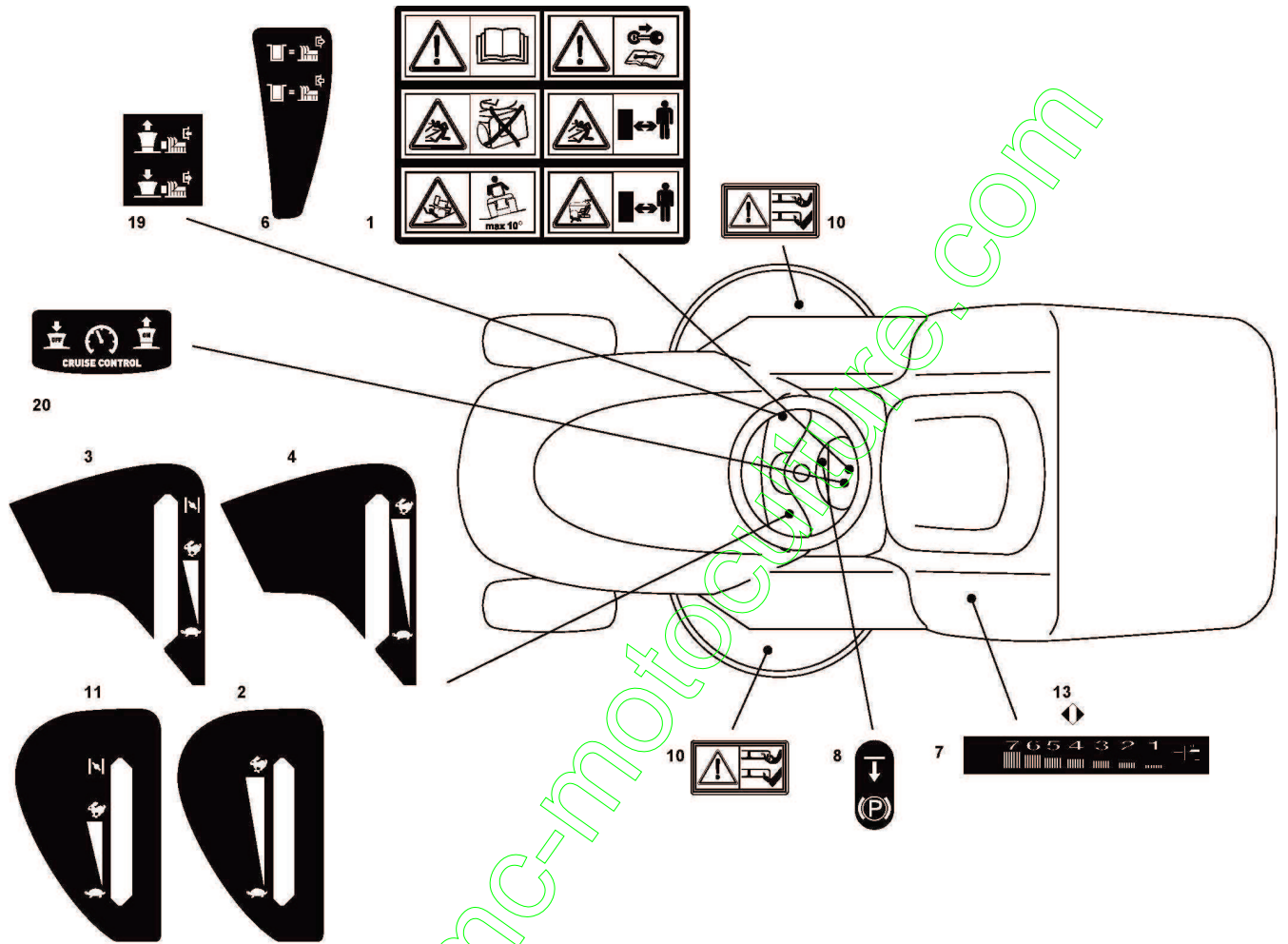
| Réf. N° | Q.té : | Code article | Description | Articles | De | Jusqu'à |
|---------|--------|---------------|-----------------------------|----------|-------------------|----------------|
| 1 | 1 | 382722421/1 | Card + guard (B) | B | | To |
| 1 | 1 | 382722421/2 | Cartes + Protections (B) | B | From | 31-August-2010 |
| 1 | 1 | 382722432/0 | Cartes + Protections (B) | B | From | To |
| 1 | 1 | 382722432/1 | Cartes + Protections (B) | B | 01-September-2014 | 31-August-2017 |
| 2 | 2 | 112521320/0 | Rondelle | | | |
| 3 | 2 | 112154330/0 | Ecrou | | | |
| 4 | 1 | 325031501/0 | Amplificateur Sonore Buzzer | | | |
| 12 | 1 | 118450072/0 | Interrupteur Demarrage | | | |
| 13 | 1 | 118550136/0 | Entretoise | | | |
| 14 | 1 | 118550135/0 | Rondelle | | | |
| 15 | 1 | 118400862/0 | Bague | | | |
| 16 | 1 | 118210022/0 | Clef A Demarrage | | | |
| 17 | 1 | 118120002/1 | Batterie | | | To |
| 17 | 1 | 118120007/0 | Batterie | | From | 31-August-2016 |
| 18 | 1 | 125430230/0 | Ressort | | | |
| 31 | 3 | 119410613/0 | Microinterrupteur | | | To |
| 31 | 1 | 119410622/1 | Microinterrupteur | | From | |
| 32 | 1 | 119410605/1 | Microinterrupteur | | 01-September-2019 | |
| 36 | 1 | 118450060/1 | Interrupteur Phares | | | To |
| 36 | 1 | 118450060/1LC | Interrupteur Phares | | From | 31-August-2016 |
| 36 | 1 | 118450084/0 | Interrupteur Phares | | From | |
| 38 | 1 | 118450073/0 | Interrupteur Embrajage | Yellow | 27-June-2019 | |
| 38 | 1 | 118450074/0 | Interrupteur Embrajage | Red | | |
| 41 | 1 | 182040073/0 | Câble de phare | | | |
| 42 | 2 | 133500030/0 | Douille De Lampe | | | |
| 43 | 2 | 118459100/0 | Ampoule De Phares | | | |
| 46 | 1 | 133500010/1 | Plaquette | | | |
| 47 | 1 | 112735170/0 | Vis | | | |
| 51 | 5 | 133320506/0 | Fixation Cable | | | |
| 52 | 1 | 133320504/0 | Fixation Cable | | | |
| 54 | 1 | 118564864/1 | Capuchon | | | |
| 55 | 1 | 125290001/0 | Indicateur Niveau | | | |
| 56 | 1 | 133567000/0 | Relais | | | |



Accessoires Sur Demande

| Réf. N° | Q.té : | Code article | Description | Articles | De | Jusqu'à |
|---------|--------|--------------|---|----------|------------------------|-------------------|
| 2 | 1 | 382400003/0 | Protection Sortie | | | To 31-August-2003 |
| 2 | 1 | 382400003/1 | Protection Sortie | | From | |
| 3 | 1 | 325869043/0 | Support Arriere | | | |
| 4 | 2 | 118566112/0 | Bouchon Tube Guidon | | | |
| 5 | 2 | 112689515/0 | Vis | | | |
| 6 | 2 | 112154510/0 | Ecrou | | | |
| 7 | 2 | 125510022/0 | Pivot | | | To 31-August-2012 |
| 7 | 1 | 125510022/1 | Pivot | | From | |
| 8 | 2 | 124487998/0 | Goupille | | | |
| 9 | 1 | 124487999/0 | Goupille | | | |
| 23 | 3 | 112760520/0 | Vis | | | |
| 24 | 3 | 112155000/0 | Ecrou | | | |
| 42 | 1 | 382735502/0 | Etrier | | | |
| 43 | 1 | 325774213/0 | Etrier | | | |
| 44 | 1 | 382033105/1 | Tige | | | To 31-August-2014 |
| 44 | 1 | 382033115/0 | Barre De Trainage | | From | |
| 45 | 1 | 125510021/1 | Pivot | | | |
| 46 | 2 | 124487999/0 | Goupille | | | |
| 51 | 1 | 182180050/0 | Chargeur De Batteries | CE Plug | From 01-September-2009 | To 31-August- |
| 51 | 1 | 182180090/0 | Chargeur De Batteries 12V 1A - CE Plugg | CE Plug | | |
| 72 | 1 | 325140097/0 | Deflecteur | | | |
| 73 | 1 | 325394005/0 | Guidon | | | |
| 74 | 1 | 125510077/0 | Pivot | | | |
| 75 | 1 | 125430245/0 | Ressort | | | |
| 76 | 1 | 112735405/0 | Vis | | | |
| 77 | 1 | 325280000/1 | Branche | | | |
| 78 | 1 | 125840011/0 | Tirant Elastique | | | To 31-August-2003 |
| 78 | 1 | 125840011/1 | Tirant | | From | |
| 79 | 2 | 125253004/0 | Crochet Fixage Kit Mulching | | | |

contact@emc-motoculture.com

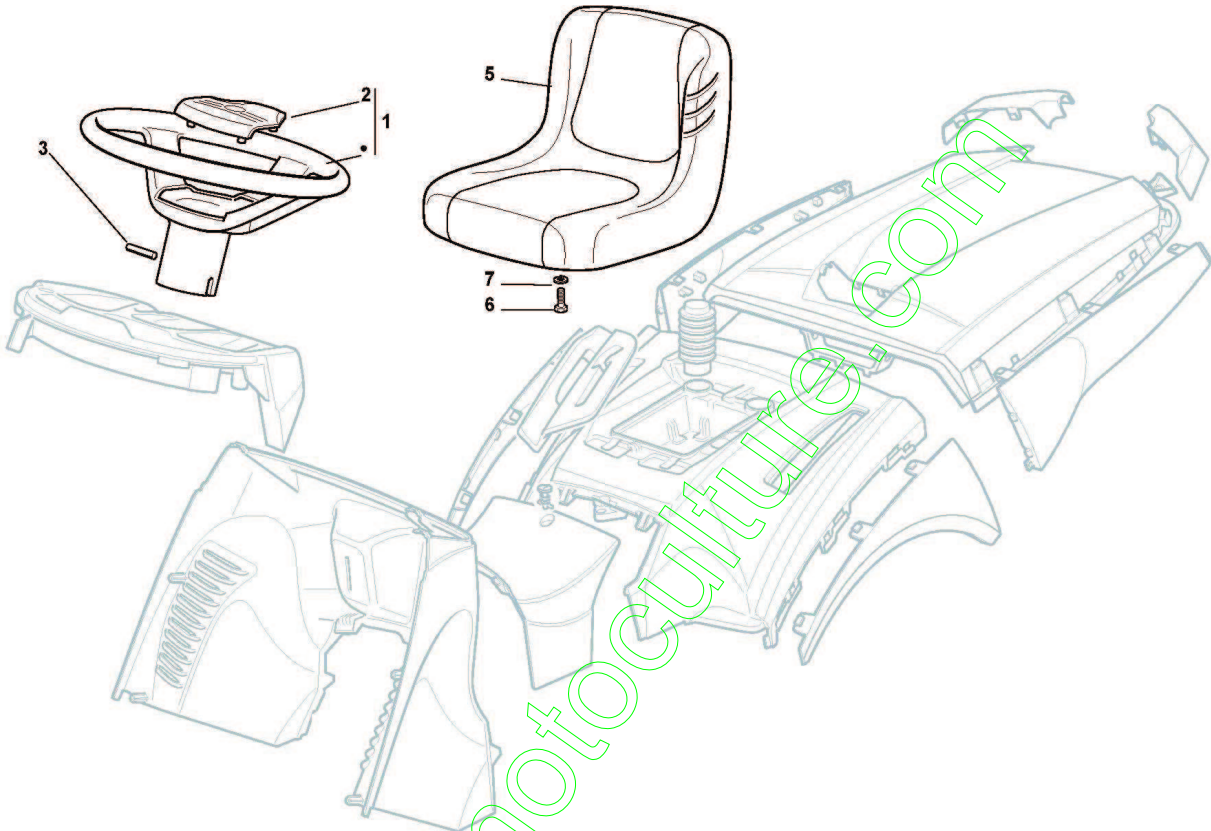


contact@emc-motocycle.com

Etiquettes

| Réf. N° | Q.té : | Code article | Description | Articles | De | Jusqu'à |
|---------|--------|--------------|------------------------------------|----------|---------------------------|----------------|
| 1 | 1 | 114357428/1 | Etiquette | | | To |
| 1 | 1 | 114361553/1 | Étiquette D'Avertissement | | From | 31-August-2016 |
| 2 | 1 | 114356756/2 | Etiquette d'accélérateur | | | |
| 3 | 1 | 114356177/2 | Etiquette d'accélérateur | | | |
| 4 | 1 | 114356184/3 | Etiquette d'accélérateur | | | |
| 6 | 1 | 114357967/0 | Etiquette D'Engagement D'Embrayage | | | |
| 7 | 1 | 114357905/0 | Etiquette | | | |
| 8 | 1 | 114357526/1 | Etiquette Frein De Stationnement | | | |
| 10 | 2 | 114356699/1 | Etiquette De Plaque De Danger | | | |
| 11 | 1 | 114356754/1 | Etiquette D'Accelérateur | | | |
| 13 | 1 | 114357913/0 | Etiquette De Levage Plat | | | |
| 19 | 1 | 114360912/0 | Etiquette D'Engagement D'Embrayage | | | |
| 20 | 1 | 114365612/0 | Etiquette Cruise Control | | | To |
| 20 | 1 | 114365612/1 | Etiquette Cruise Control | | From 01-September-2017 | 31-August-2017 |

contact@emc-motoculture.com

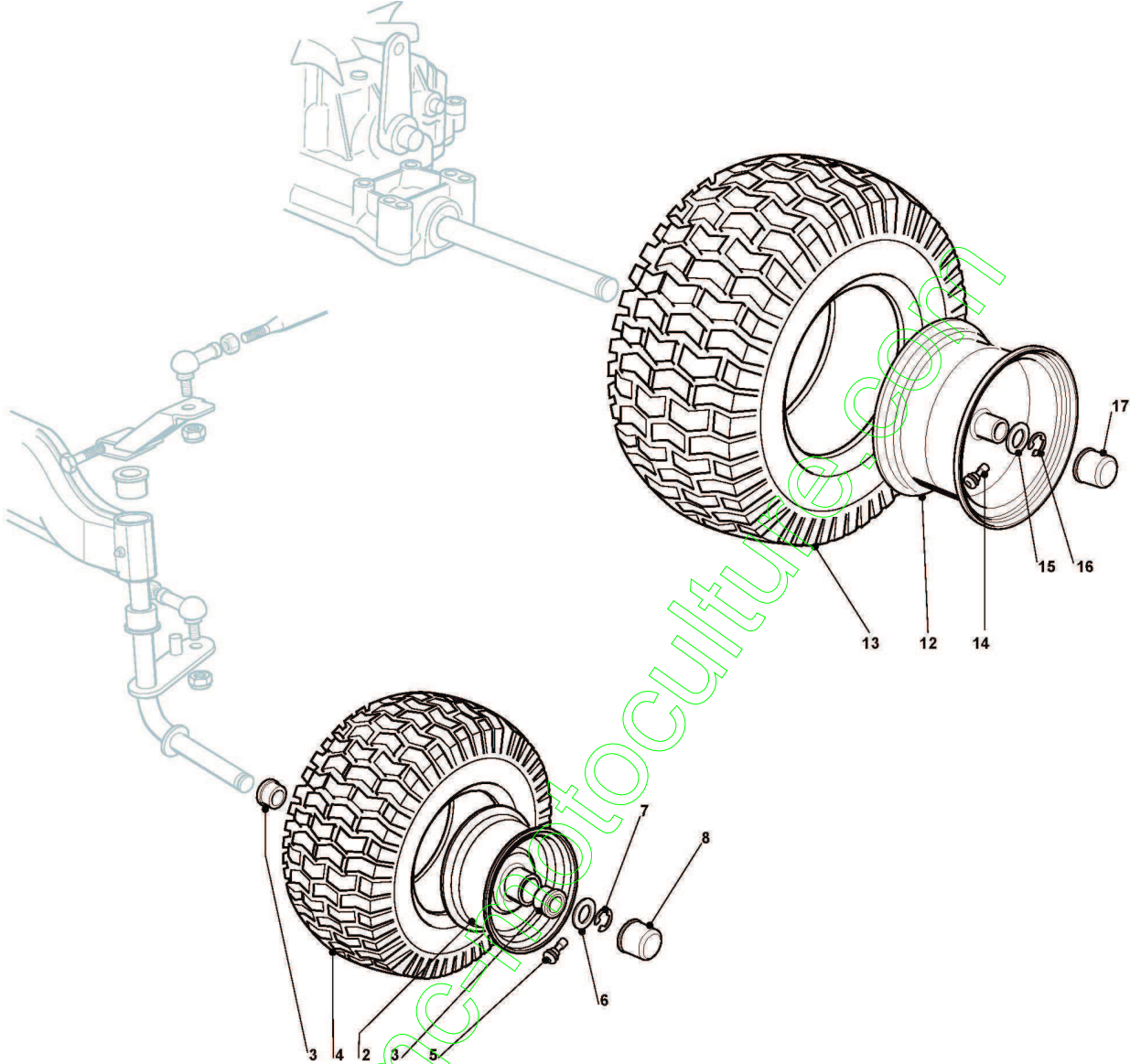


contact@enc-motoculture.com

Siege & Volant

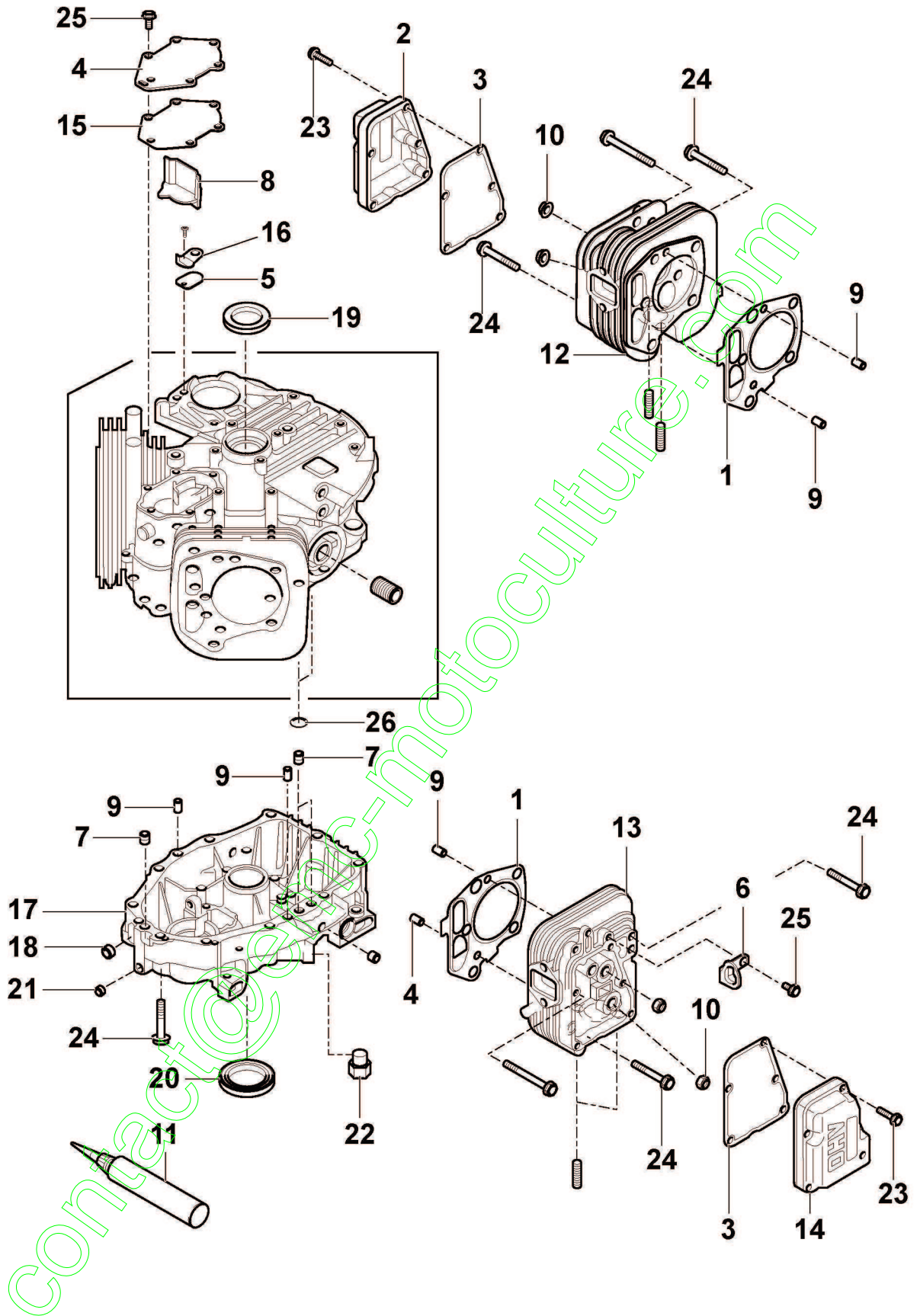
| Réf. N° | Q.té : | Code article | Description | Articles | De | Jusqu'à |
|---------|--------|--------------|--------------------|----------|-----------|---------|
| 1 | 1 | 125961214/0 | Volant | | | |
| 2 | 1 | 325580500/0 | Bouchon | | | |
| 3 | 1 | 112620299/0 | Goupille Élastique | | | |
| 5 | 1 | 125722459/0 | Siege | | | To |
| 5 | 1 | 125722468/0 | Siege | | From | |
| 6 | 4 | 112793102/0 | Vis | | 01-Septem | |
| 7 | 4 | 112583500/0 | Grower | | ber-2016 | |

contact@enc-motoculture.com



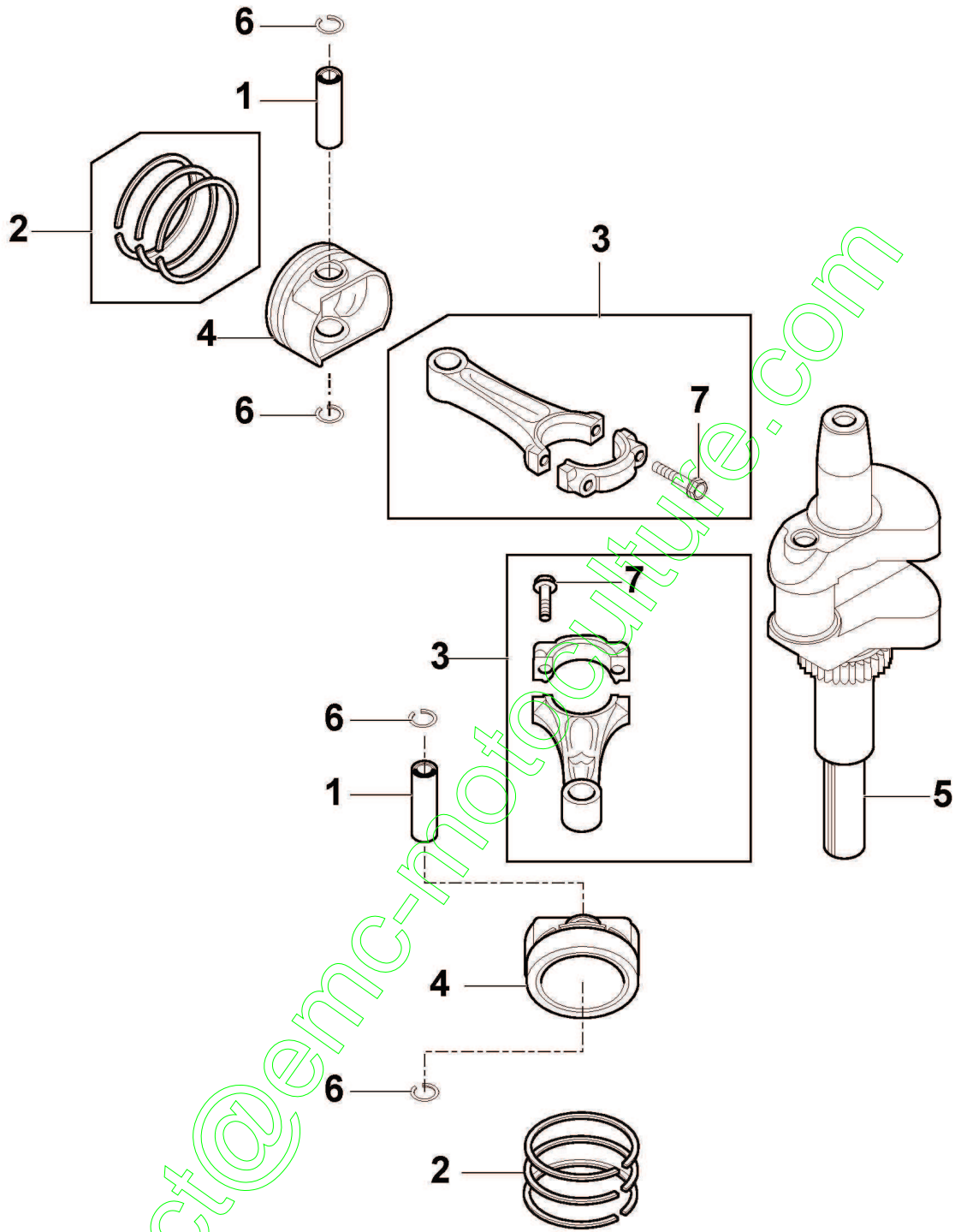
Roues

| Réf. N° | Q.té : | Code article | Description | Articles | De | Jusqu'à |
|---------|--------|--------------|----------------------------------|-----------------------------|------|-------------------|
| 2 | 2 | 182000590/1 | Bandage Roue | 4"X6" | | To |
| 2 | 2 | 182000595/1 | Bandage Roue | 4"X6" STARCO | From | 31-August-2015 |
| 2 | 2 | 182000598/0 | Bandage Roue | 4"X6" FENGCHI | | |
| 3 | 4 | 125122200/2 | Roulement | | | |
| 4 | 2 | 125590000/0 | Pneu Avant | 13x5.00-6 CARLISE | | To |
| 4 | 2 | 125590019/0 | Pneu 15x6.00-6 P512 WANDA | 15X6.00-6 PR2 TL P512 WANDA | From | 31-August-2015 |
| 4 | 2 | 125590020/0 | Pneu 15x6.00-6 P519 WANDA | 15X6.00-6 PR2 TL P519 WANDA | | |
| 4 | 2 | 127590051/0 | Pneu 15x6.00x6 CARLISLE | 15X6.00-6 CARLISE | | To |
| 5 | 2 | 125950000/0 | Vanne | | | |
| 6 | 2 | 125670005/1 | Rondelle | | | To |
| 6 | 2 | 125670005/2 | Rondelle | | From | 01-September-2014 |
| 7 | 2 | 112001000/0 | Anneau Benzing | | | |
| 8 | 2 | 122110230/0 | Couvre Moyeu | | | |
| 12 | 2 | 182000592/0 | Bandage Roue Arriere | 7,5"X8" | | To |
| 12 | 2 | 182000596/1 | Bandage Roue | 7,5"X8" STARCO | From | 01-September-2015 |
| 12 | 2 | 182000599/0 | Bandage Roue | 7,5"X8" FENGCHI | | |
| 13 | 2 | 125590001/0 | Pneu Arriere | 18x8.50-8 CARLISLE | | To |
| 13 | 2 | 125590015/0 | Pneu 18x8.50-8 P332 WANDA | 18X8.50-8 P 332 | | 31-August-2015 |
| 13 | 2 | 125590021/0 | Pneu 18x8.50-8 P512 WANDA | 18X8.50-8 PR2 TL P512 WANDA | From | 01-September-2015 |
| 13 | 2 | 125590022/0 | Pneu 18x8.50-8 P519 WANDA | 18X8.50-8 PR2 TL P519 WANDA | | To |
| 13 | 2 | 125590033/0 | Pneu 18X8.50-8 PR2 TL S373A DELI | 18X8.50-8 PR2 TL S373A DELI | From | 01-September-2018 |
| 14 | 2 | 125950000/0 | Vanne | | | |
| 15 | 2 | 125670005/1 | Rondelle | | | To |
| 15 | 2 | 125670005/2 | Rondelle | | From | 31-August-2014 |
| 16 | 2 | 112001010/0 | Anneau Benzing | | | |
| 17 | 2 | 122110230/0 | Couvre Moyeu | | | |



Cylinder/Carter Moteur

| Réf. N° | Q.té : | Code article | Description | Articles | De | Jusqu'à |
|---------|--------|--------------|-----------------------|-------------------------|----|---------|
| 1 | 2 | 118550948/0 | Joint d'étanchéité | Kawasaki p/n 11004-7027 | | |
| 2 | 1 | 118550956/0 | Carter | Kawasaki p/n 11022-0710 | | |
| 3 | 2 | 118550963/0 | Joint d'étanchéité | Kawasaki p/n 11061-7083 | | |
| 4 | 1 | 118551005/0 | Couvre | Kawasaki p/n 14091-7064 | | |
| 5 | 1 | 118551013/0 | Vanne Évent Réservoir | Kawasaki p/n 16126-7020 | | |
| 6 | 1 | 118551028/0 | Accrochage | Kawasaki p/n 27012-0721 | | |
| 7 | 3 | 118551030/0 | Tube | Kawasaki p/n 32154-7019 | | |
| 8 | 1 | 118551031/0 | Tube | Kawasaki p/n 32155-7003 | | |
| 9 | 6 | 118551071/0 | Pivot | Kawasaki p/n 92043-1263 | | |
| 10 | 4 | 118551072/0 | Anneau De Tenue | Kawasaki p/n 92049-7001 | | |
| 11 | 1 | 118551080/0 | Joint d'étanchéité | Kawasaki p/n 92104-7001 | | |
| 12 | 1 | 118550951/0 | Cylindre | Kawasaki p/n 11008-7050 | | |
| 13 | 1 | 118550952/0 | Cylindre | Kawasaki p/n 11008-7051 | | |
| 14 | 1 | 118550957/0 | Carter | Kawasaki p/n 11022-7020 | | |
| 15 | 1 | 118550968/0 | Joint d'étanchéité | Kawasaki p/n 11061-7094 | | |
| 16 | 1 | 118550999/0 | Plaquette | Kawasaki p/n 13272-1374 | | |
| 17 | 1 | 118551037/0 | Carter Moteur | Kawasaki p/n 49015-0019 | | |
| 18 | 1 | 118551074/0 | Anneau De Tenue | Kawasaki p/n 92049-7019 | | |
| 19 | 1 | 118551073/0 | Anneau De Tenue | Kawasaki p/n 92049-7010 | | |
| 20 | 1 | 118551075/0 | Anneau De Tenue | Kawasaki p/n 92049-7028 | | |
| 21 | 1 | 118551077/0 | Bouchon | Kawasaki p/n 92066-0761 | | |
| 22 | 2 | 118551078/0 | Bouchon | Kawasaki p/n 92066-0762 | | |
| 23 | 10 | 112735405/0 | Vis | Kawasaki p/n 130AA0625 | | |
| 24 | 14 | 112691400/0 | Vis | Kawasaki p/n 92153-7054 | | |
| 25 | 7 | 112735699/0 | Vis | Kawasaki p/n 92153-7043 | | |
| 26 | 14 | 118551062/0 | Joint Or | Kawasaki p/n 670B2011 | | |

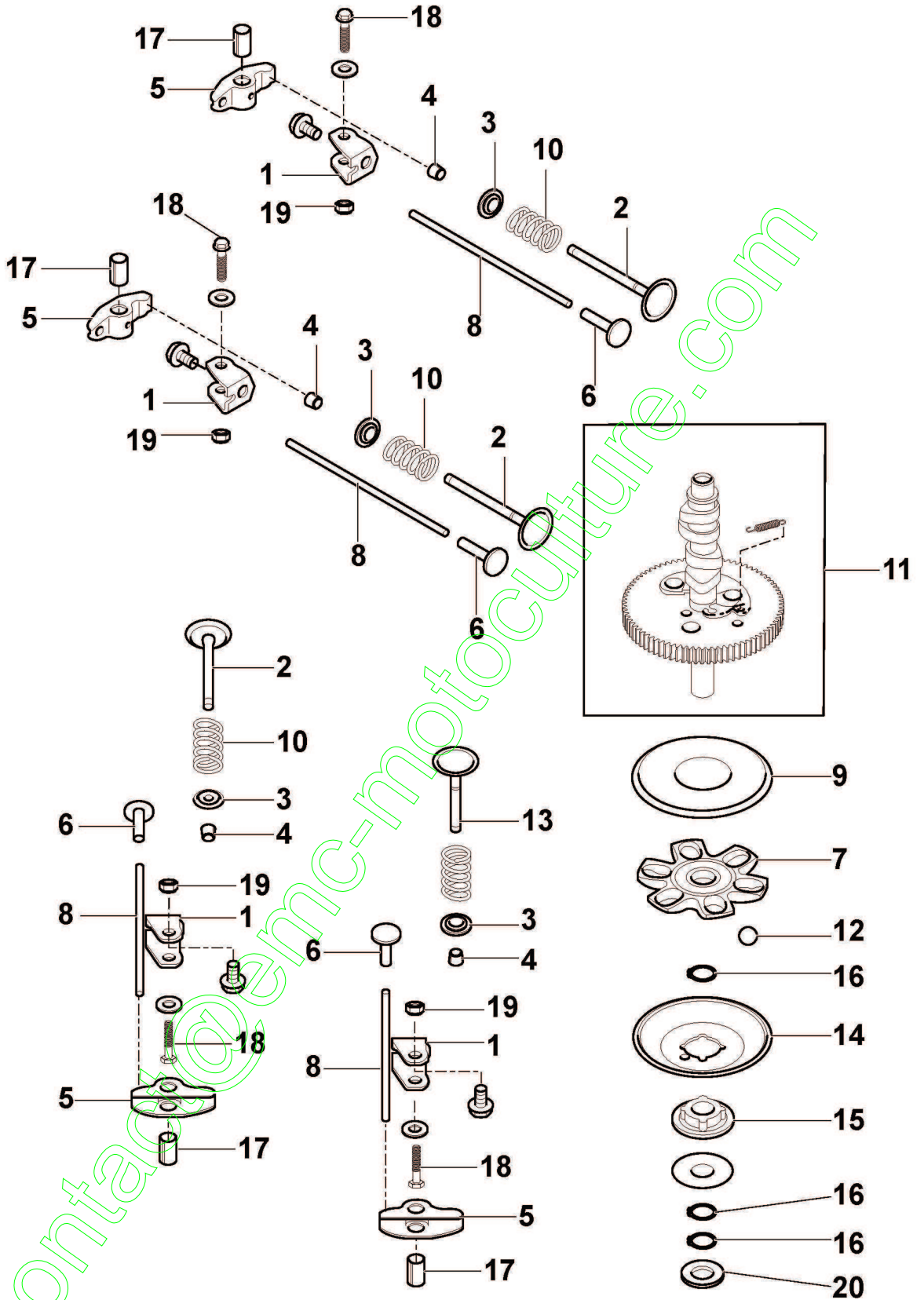


contact@enc-moto-outlet.com

Piston/Arbre Moteur

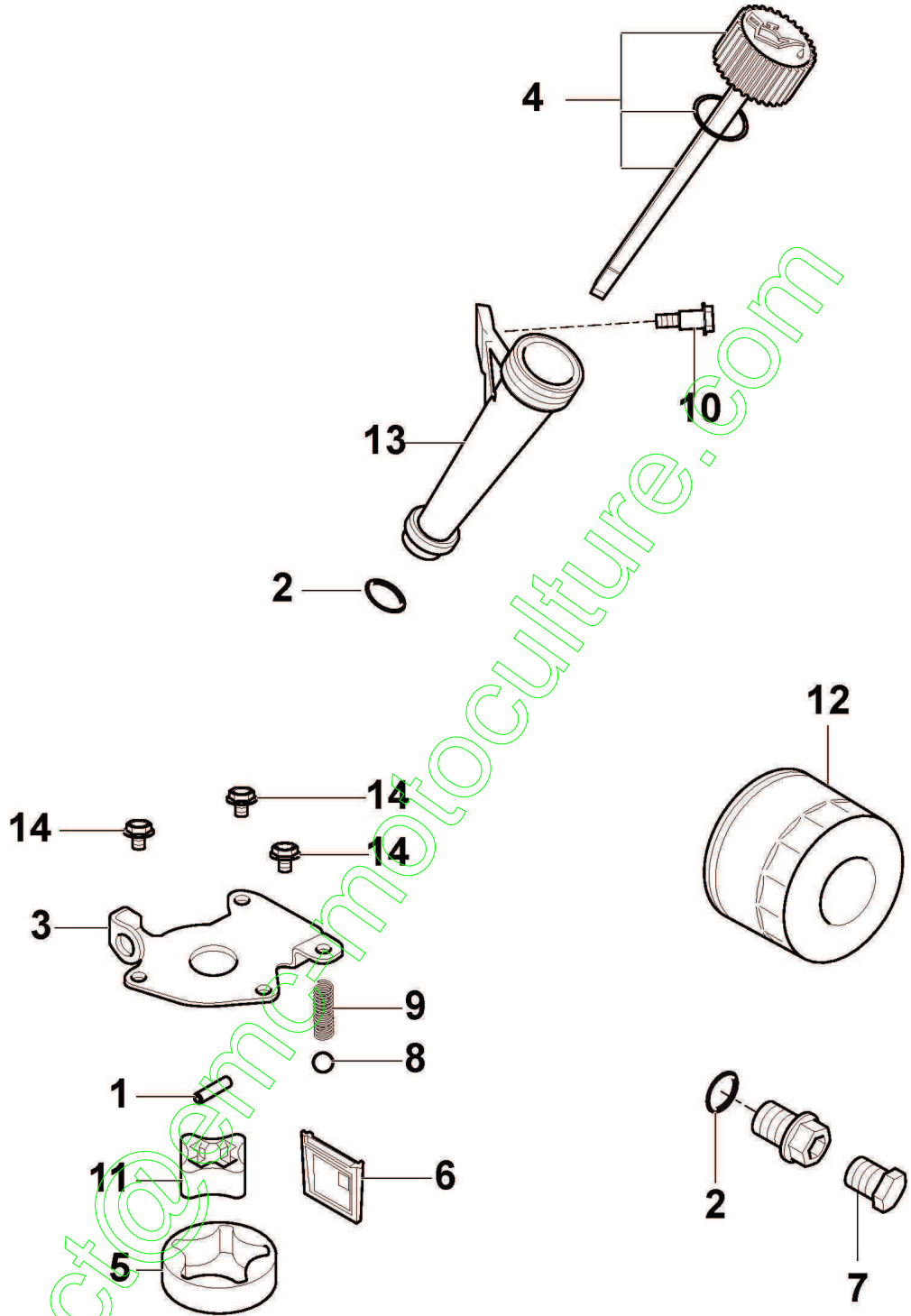
| Réf. N° | Q.té : | Code article | Description | Articles | De | Jusqu'à |
|---------|--------|--------------|-------------------|-------------------------|----|---------|
| 1 | 2 | 118550982/0 | Pointeau Piston | Kawasaki p/n 13002-7001 | | |
| 2 | 2 | 118550984/0 | Collier Élastique | Kawasaki p/n 13008-7006 | | |
| 3 | 2 | 118550994/0 | Tige | Kawasaki p/n 13251-7021 | | |
| 4 | 2 | 118550980/0 | Piston | Kawasaki p/n 13001-7031 | | |
| 5 | 1 | 118550985/0 | Arbre Moteur | Kawasaki p/n 13031-0731 | | |
| 6 | 4 | 118551068/0 | Anneau Ressort | Kawasaki p/n 92033-0725 | | |
| 7 | 4 | 112735410/0 | Vis | Kawasaki p/n 92151-7017 | | |

contact@emc-motoculture.com



Cam Shaft

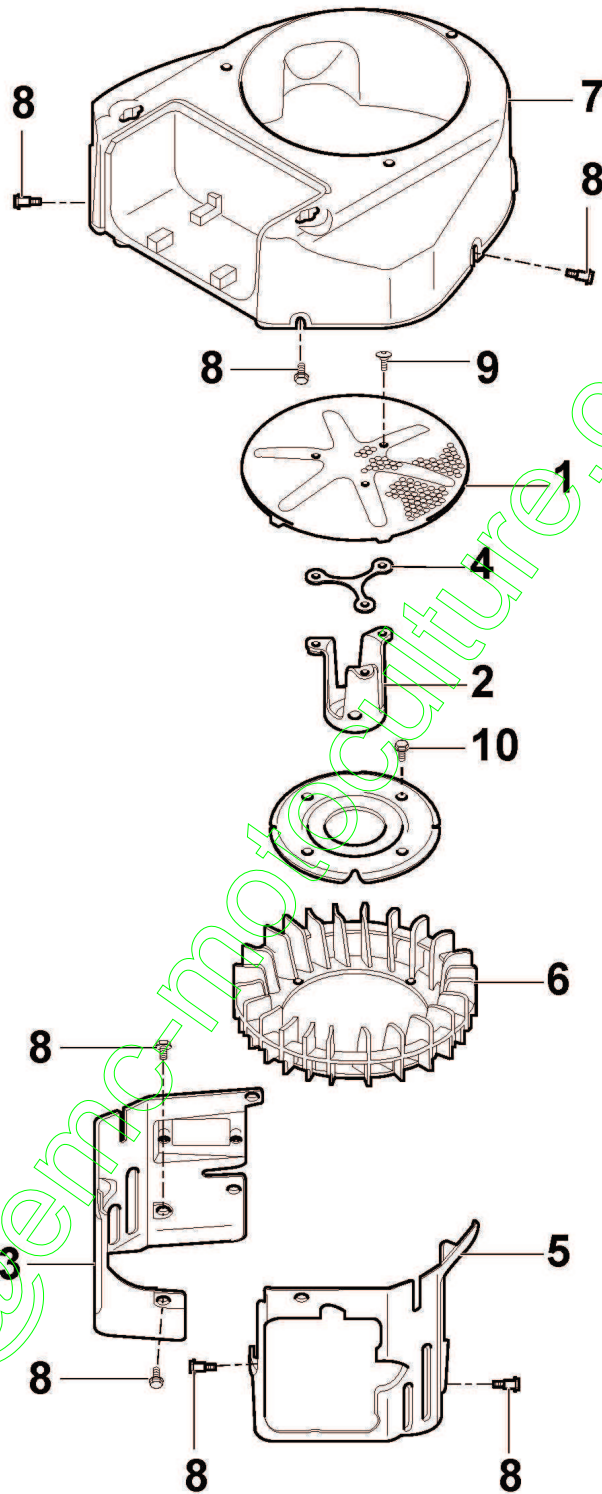
| Réf. N° | Q.té : | Code article | Description | Articles | De | Jusqu'à |
|---------|--------|--------------|----------------|-------------------------|----|---------|
| 1 | 4 | 118550958/0 | Etrier | Kawasaki p/n 11055-7009 | | |
| 2 | 2 | 118550972/0 | Vanne | Kawasaki p/n 12004-7009 | | |
| 3 | 4 | 118550975/0 | Ressort | Kawasaki p/n 12009-7001 | | |
| 4 | 8 | 118550976/0 | Collet | Kawasaki p/n 12011-2056 | | |
| 5 | 4 | 118550977/0 | Levier | Kawasaki p/n 12016-2066 | | |
| 6 | 4 | 118550978/0 | Poussoir | Kawasaki p/n 12032-7001 | | |
| 7 | 1 | 118550987/0 | Guide | Kawasaki p/n 13070-7017 | | |
| 8 | 4 | 118550993/0 | Tige | Kawasaki p/n 13116-7008 | | |
| 9 | 1 | 118550996/0 | Plaquette | Kawasaki p/n 13271-7007 | | |
| 10 | 4 | 118551043/0 | Ressort | Kawasaki p/n 49078-7002 | | |
| 11 | 1 | 118551053/0 | Cam Shaft | Kawasaki p/n 49118-0809 | | |
| 12 | 6 | 118551082/0 | Sphère | Kawasaki p/n 92140-7005 | | |
| 13 | 2 | 118550974/0 | Vanne | Kawasaki p/n 12005-0735 | | |
| 14 | 1 | 118550997/0 | Plaquette | Kawasaki p/n 13271-7021 | | |
| 15 | 1 | 118551035/0 | Sleeve | Kawasaki p/n 42036-7021 | | |
| 16 | 3 | 118551069/0 | Anneau Ressort | Kawasaki p/n 92033-0727 | | |
| 17 | 4 | 118551086/0 | Collier | Kawasaki p/n 92152-1689 | | |
| 18 | 4 | 112674550/0 | Vis | Kawasaki p/n 92153-7100 | | |
| 19 | 4 | 112292100/0 | Ecrou | Kawasaki p/n 312AA0600 | | |
| 20 | 1 | 112521390/0 | Rondelle | Kawasaki p/n 92200-7048 | | |



Lubrification Equipement

| Réf. N° | Q.té : | Code article | Description | Articles | De | Jusqu'à |
|---------|--------|--------------|-----------------|-------------------------|----|---------|
| 1 | 1 | 118551056/0 | Goupille | Kawasaki p/n 555A0420 | | |
| 2 | 2 | 118551063/0 | Joint Or | Kawasaki p/n 670D2016 | | |
| 3 | 1 | 118551001/0 | Plaquette | Kawasaki p/n 13272-7011 | | |
| 4 | 1 | 118551004/0 | Bouchon | Kawasaki p/n 14075-7013 | | |
| 5 | 1 | 118551014/0 | Rotor extérieur | Kawasaki p/n 16154-7010 | | |
| 6 | 1 | 118551041/0 | Filtre À Huile | Kawasaki p/n 49065-7006 | | |
| 7 | 1 | 118551079/0 | Bouchon | Kawasaki p/n 92066-7003 | | |
| 8 | 1 | 118551081/0 | Sphère | Kawasaki p/n 92140-7003 | | |
| 9 | 1 | 118551083/0 | Ressort | Kawasaki p/n 92145-7002 | | |
| 10 | 1 | 118551087/0 | Vis | Kawasaki p/n 92153-7008 | | |
| 11 | 1 | 118551015/0 | Rotor interne | Kawasaki p/n 16154-7011 | | |
| 12 | 1 | 118551042/0 | Filtre À Huile | Kawasaki p/n 49065-7007 | | |
| 13 | 1 | 118551061/0 | Filler | Kawasaki p/n 59231-0712 | | |
| 14 | 3 | 112735699/0 | Vis | Kawasaki p/n 92153-7043 | | |

contact@emc-motoculture.com

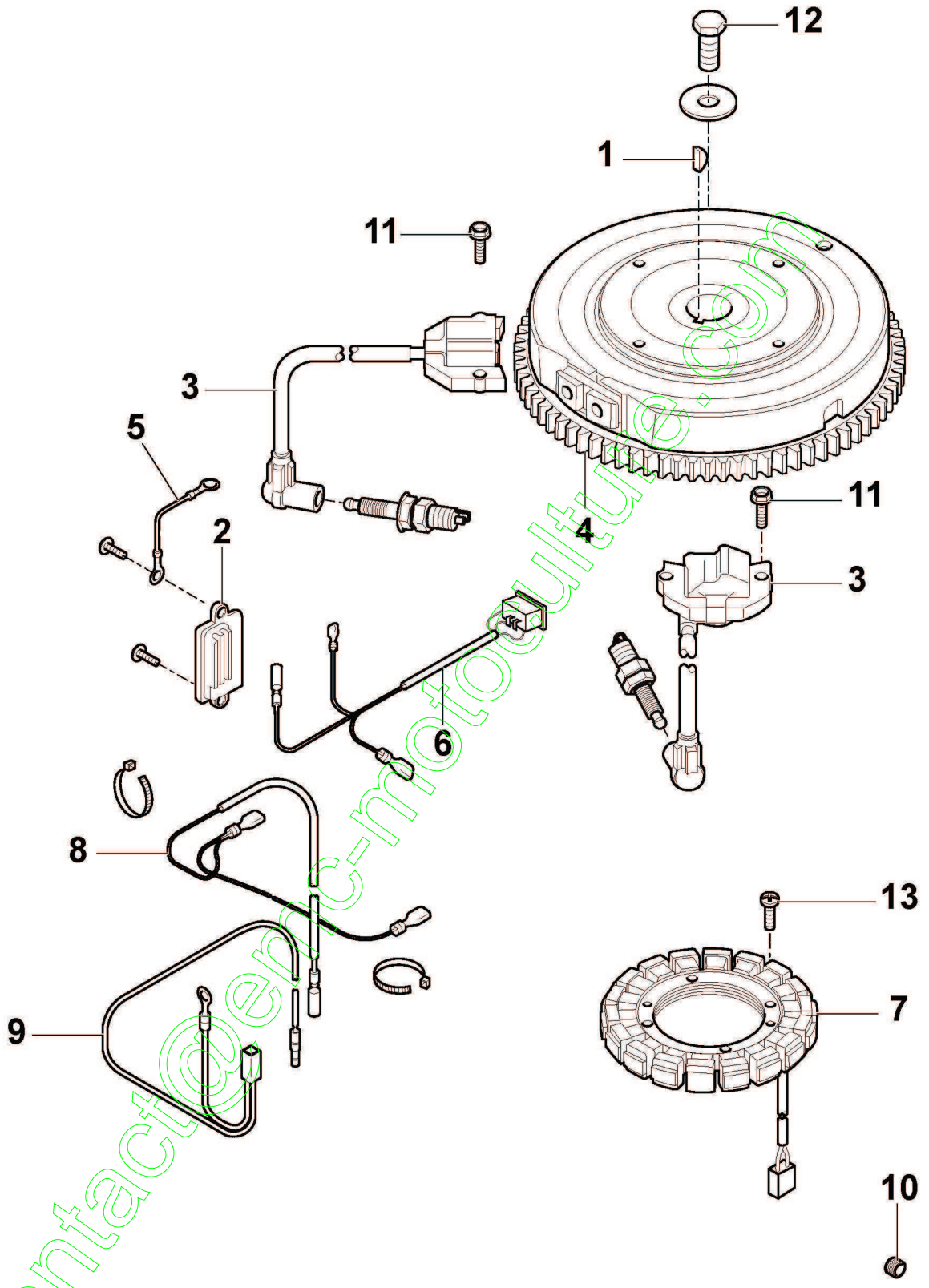


contact@engculture.com

Cooling-Equipment

| Réf. N° | Q.té : | Code article | Description | Articles | De | Jusqu'à |
|---------|--------|--------------|---------------------|----------------------------|----|---------|
| 1 | 1 | 118551003/0 | Ecran | Kawasaki p/n 14037-7008-9H | | |
| 2 | 1 | 118551023/0 | Etrier | Kawasaki p/n 23062-7022 | | |
| 3 | 1 | 118551046/0 | Couvre Moteur | Kawasaki p/n 49089-7083 | | |
| 4 | 1 | 118551067/0 | Entretoise | Kawasaki p/n 92026-7007 | | |
| 5 | 1 | 118551047/0 | Couvre Moteur | Kawasaki p/n 49089-7084 | | |
| 6 | 1 | 118551059/0 | Ventilateur Moteur | Kawasaki p/n 59041-0008 | | |
| 7 | 1 | 118551102/0 | Grille D'Aspiration | Kawasaki p/n 59066-0044 | | |
| 8 | 8 | 112735402/0 | Vis | Kawasaki p/n 92153-7007 | | |
| 9 | 3 | 112727794/0 | Vis | Kawasaki p/n 92151-7012 | | |
| 10 | 4 | 112735699/0 | Vis | Kawasaki p/n 92153-7043 | | |

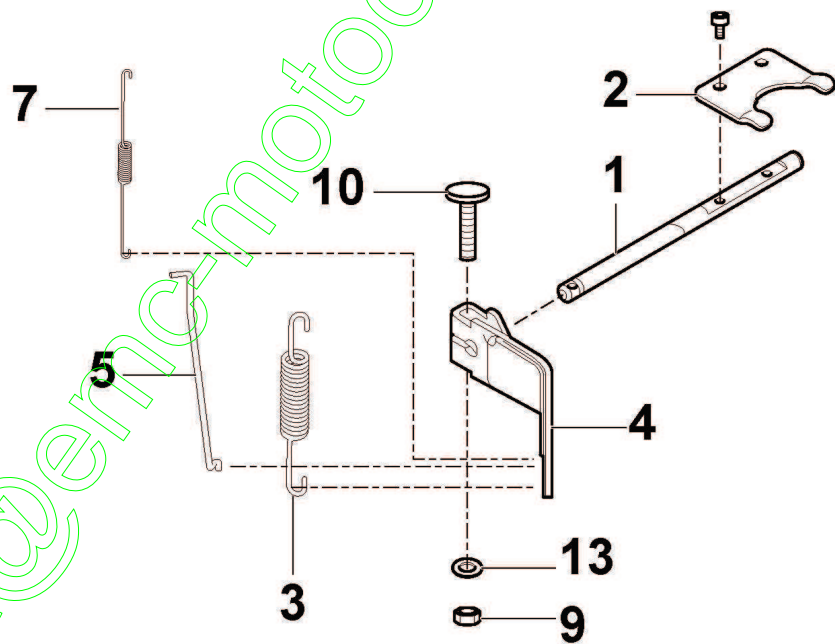
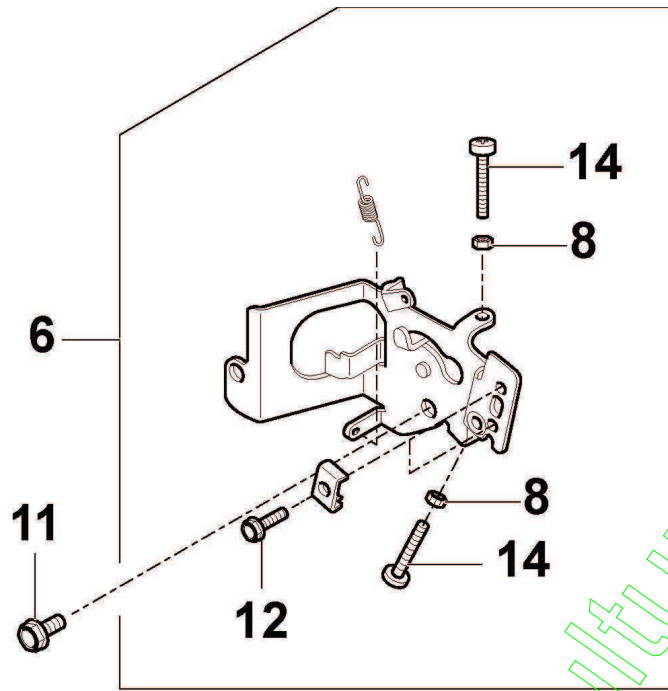
contact@emc-motoculture.com



Parties Electriques

| Réf. N° | Q.té : | Code article | Description | Articles | De | Jusqu'à |
|---------|--------|--------------|---------------------|-------------------------|----|---------|
| 1 | 1 | 118551054/0 | Languette Volant | Kawasaki p/n 510A5100 | | |
| 2 | 1 | 118551018/0 | Régulateur | Kawasaki p/n 21066-7017 | | |
| 3 | 2 | 118551020/0 | Bobine Électronique | Kawasaki p/n 21171-0711 | | |
| 4 | 1 | 118551021/0 | Ens. Volant | Kawasaki p/n 21193-7038 | | |
| 5 | 1 | 118551024/0 | Fixation Cable | Kawasaki p/n 26011-7025 | | |
| 6 | 1 | 118551104/0 | Kabelsatz | Kawasaki p/n 26031-1624 | | |
| 7 | 1 | 118551057/0 | Charging Coil | Kawasaki p/n 59031-7017 | | |
| 8 | 1 | 118551025/0 | Kabelsatz | Kawasaki p/n 26031-7040 | | |
| 9 | 1 | 118551027/0 | Kabelsatz | Kawasaki p/n 26031-7047 | | |
| 10 | 1 | 118551078/0 | Bouchon | Kawasaki p/n 92066-0762 | | |
| 11 | 4 | 112735592/0 | Vis | Kawasaki p/n 130AA0620 | | |
| 12 | 1 | 112692600/0 | Vis | Kawasaki p/n 92154-7003 | | |
| 13 | 4 | 112727795/0 | Vis | Kawasaki p/n 92172-7018 | | |

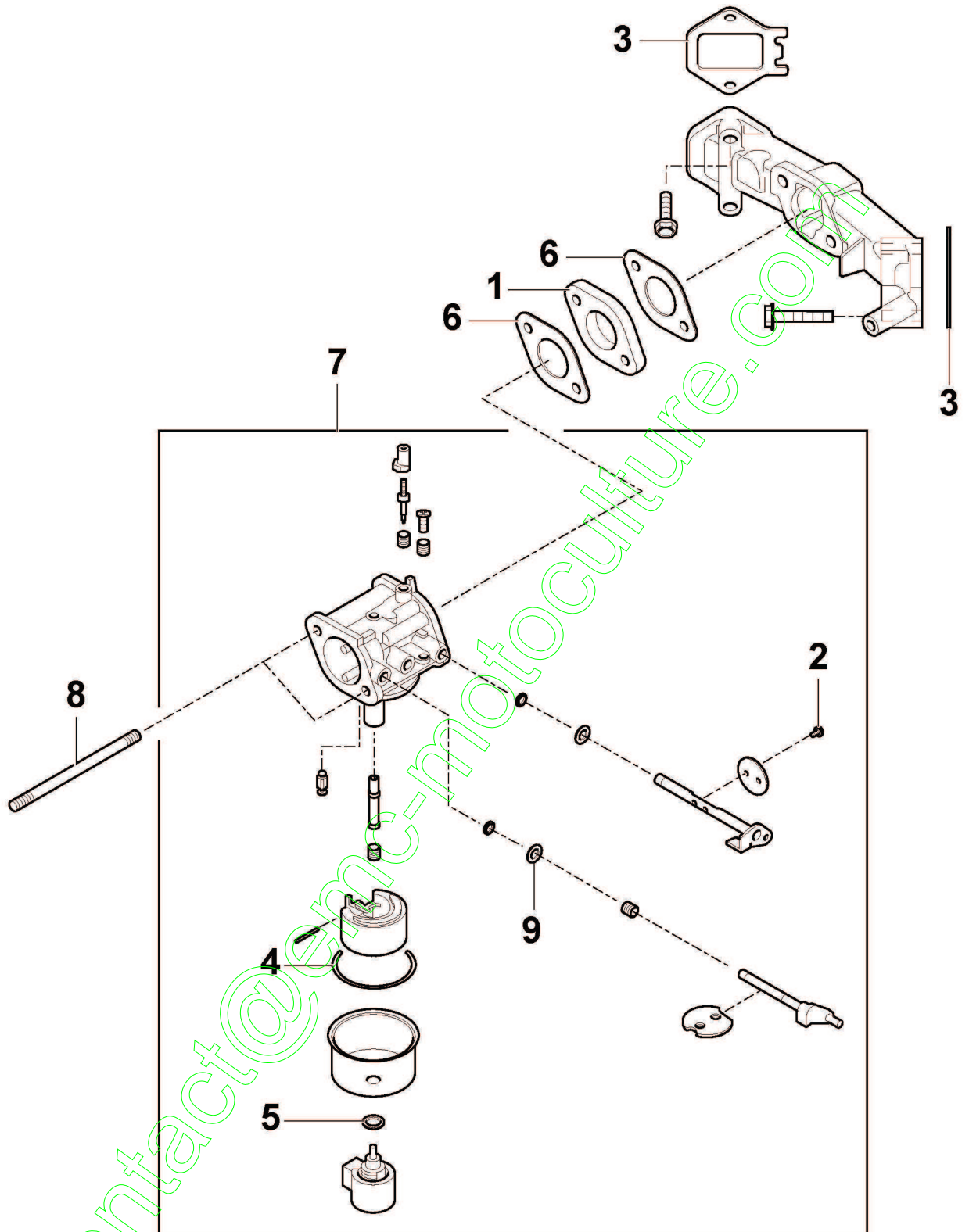
contact@emc-motoculture.com



contact@eric-motoculture.com

Control-Equipment

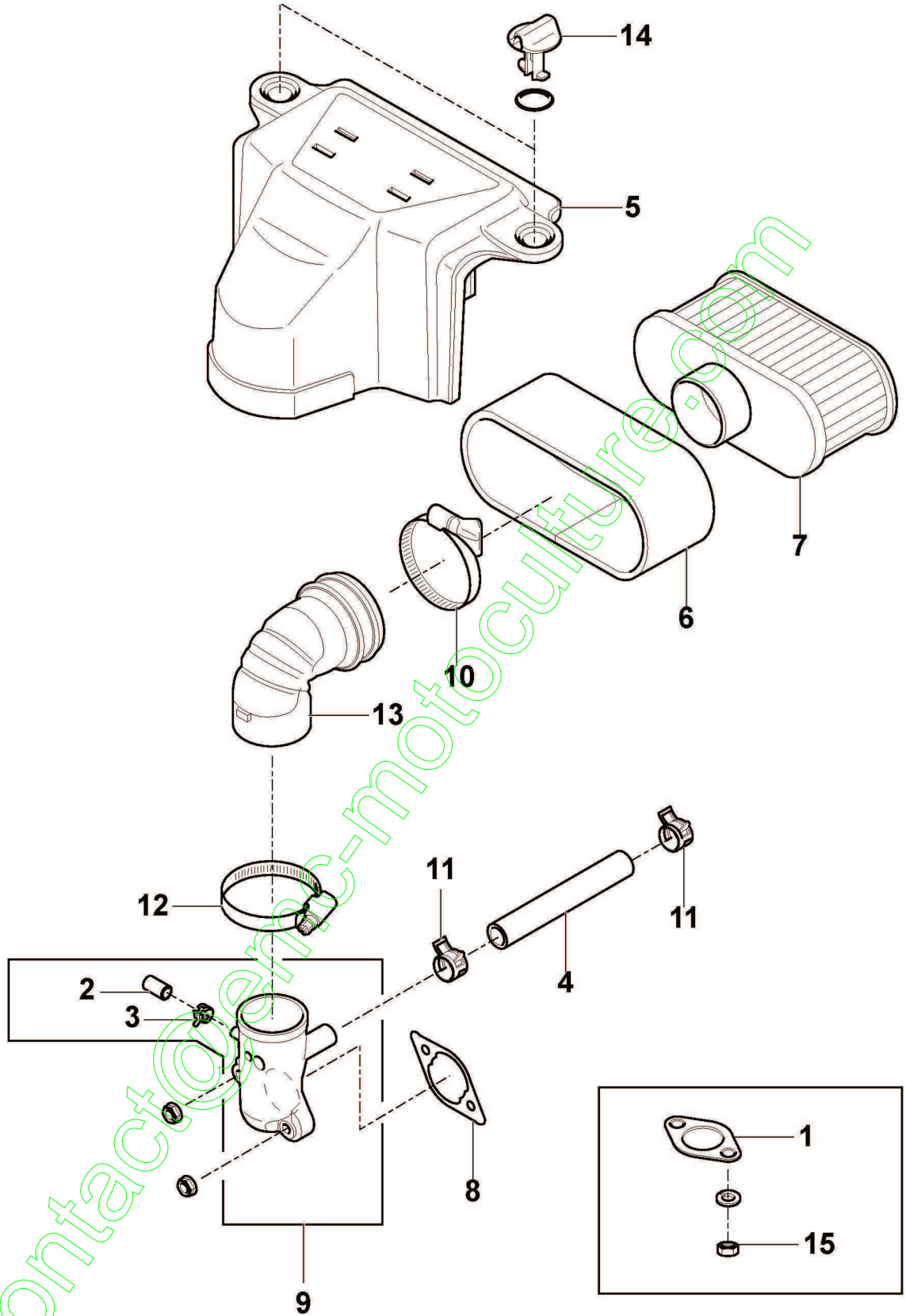
| Réf. N° | Q.té : | Code article | Description | Articles | De | Jusqu'à |
|---------|--------|--------------|-------------|-------------------------|----|---------|
| 1 | 1 | 118550991/0 | Arbre | Kawasaki p/n 13107-7049 | | |
| 2 | 1 | 118550998/0 | Plaquette | Kawasaki p/n 13271-7038 | | |
| 3 | 1 | 118551032/0 | Ressort | Kawasaki p/n 39129-0725 | | |
| 4 | 1 | 118551050/0 | Levier | Kawasaki p/n 49103-7017 | | |
| 5 | 1 | 118551017/0 | Lien | Kawasaki p/n 16171-7025 | | |
| 6 | 1 | 118551051/0 | Panneau | Kawasaki p/n 49113-0715 | | |
| 7 | 1 | 118551084/0 | Ressort | Kawasaki p/n 92145-7057 | | |
| 8 | 2 | 112291000/0 | Ecrou | Kawasaki p/n 312AA0500 | | |
| 9 | 1 | 112292100/0 | Ecrou | Kawasaki p/n 312AA0600 | | |
| 10 | 1 | 112674700/0 | Vis | Kawasaki p/n 92153-7033 | | |
| 11 | 1 | 112735699/0 | Vis | Kawasaki p/n 92153-7043 | | |
| 12 | 2 | 112735654/0 | Vis | Kawasaki p/n 92153-7001 | | |
| 13 | 1 | 112521330/0 | Rondelle | Kawasaki p/n 411AA0600 | | |
| 14 | 1 | 112735657/0 | Vis | Kawasaki p/n 92172-0754 | | |



Carburateur

| Réf. N° | Q.té : | Code article | Description | Articles | De | Jusqu'à |
|---------|--------|--------------|--------------------|-------------------------|----|---------|
| 1 | 1 | 118551011/0 | Insulator | Kawasaki p/n 16073-7007 | | |
| 2 | 2 | 118551066/0 | Vis | Kawasaki p/n 92009-2083 | | |
| 3 | 2 | 118550960/0 | Joint d'étanchéité | Kawasaki p/n 11061-0877 | | |
| 4 | 1 | 118550961/0 | Joint d'étanchéité | Kawasaki p/n 11061-7009 | | |
| 5 | 1 | 118550962/0 | Joint d'étanchéité | Kawasaki p/n 11061-7010 | | |
| 6 | 2 | 118550970/0 | Joint d'étanchéité | Kawasaki p/n 11061-7096 | | |
| 7 | 1 | 118551006/0 | Carburateur | Kawasaki p/n 15004-0822 | | |
| 8 | 2 | 118551065/0 | Pivot | Kawasaki p/n 92004-2149 | | |
| 9 | 1 | 2312280 | Rondelle | Kawasaki p/n 92200-2061 | | |

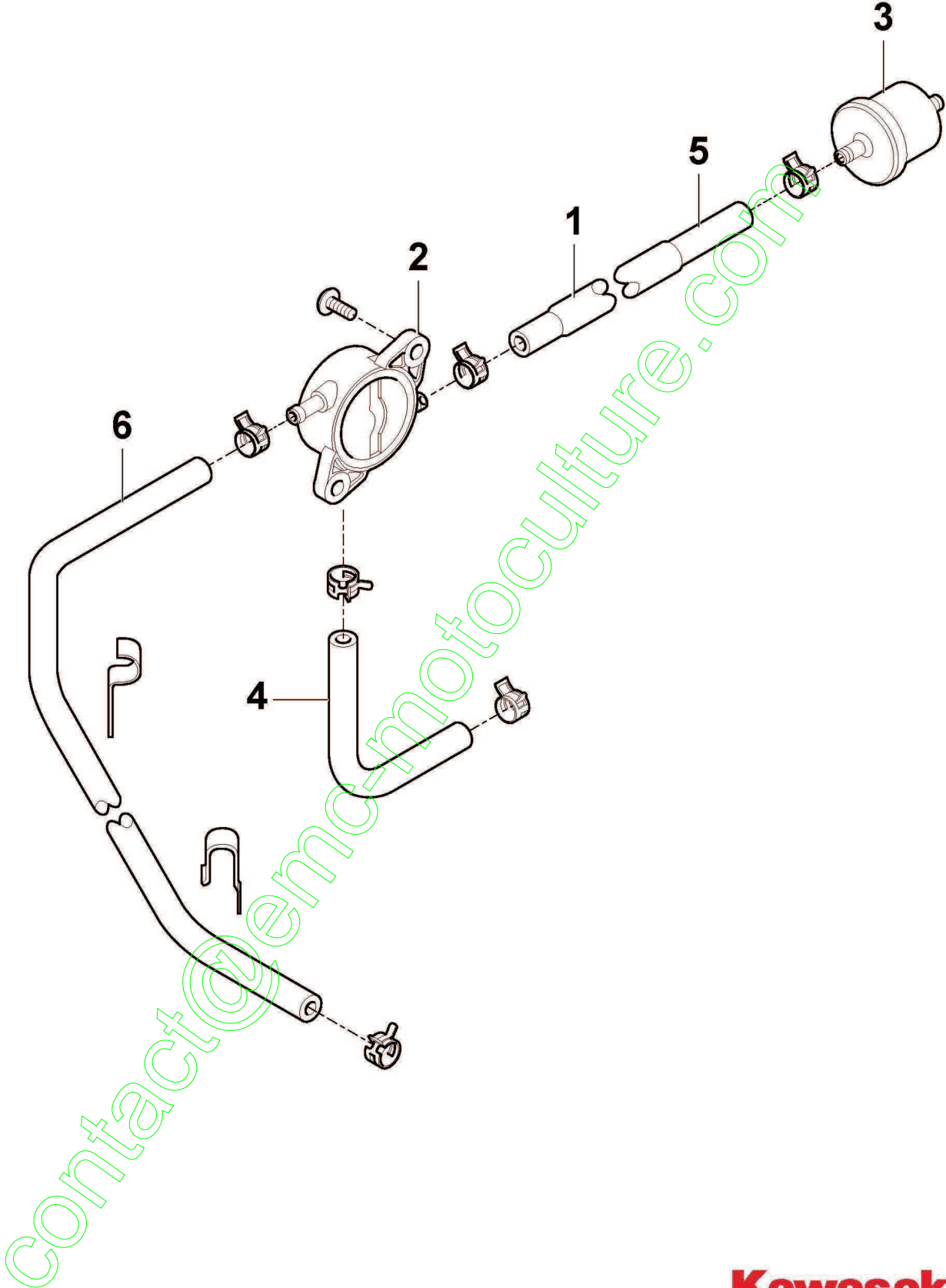
contact@enc-motoculture.com



Filtre À Air/Silencieux

| Réf. N° | Q.té : | Code article | Description | Articles | De | Jusqu'à |
|---------|--------|--------------|----------------------|-------------------------|----|---------|
| 1 | 2 | 118550959/0 | Garniture Silencieux | Kawasaki p/n 11060-7016 | | |
| 2 | 1 | 118551076/0 | Bouchon | Kawasaki p/n 92066-0095 | | |
| 3 | 1 | 118551088/0 | Etrier | Kawasaki p/n 92170-2042 | | |
| 4 | 1 | 118551093/0 | Tube | Kawasaki p/n 92192-7146 | | |
| 5 | 1 | 118550954/0 | Couvre-Filtre À Air | Kawasaki p/n 11011-0787 | | |
| 6 | 1 | 118550955/0 | Filtre À Air | Kawasaki p/n 11013-7046 | | |
| 7 | 1 | 118551100/0 | Filtre À Air | Kawasaki p/n 99999-0384 | | |
| 8 | 1 | 118550969/0 | Joint d'étanchéité | Kawasaki p/n 11061-7095 | | |
| 9 | 1 | 118551010/0 | Tube | Kawasaki p/n 16060-0742 | | |
| 10 | 1 | 118551089/0 | Etrier | Kawasaki p/n 92173-1001 | | |
| 11 | 2 | 118551090/0 | Etrier | Kawasaki p/n 92173-7003 | | |
| 12 | 1 | 118551091/0 | Etrier | Kawasaki p/n 92173-7009 | | |
| 13 | 1 | 118551095/0 | Tube | Kawasaki p/n 92192-7164 | | |
| 14 | 2 | 118551105/0 | Pommeau | Kawasaki p/n 92210-7038 | | |
| 15 | 4 | 112293200/0 | Ecrou | Kawasaki p/n 92210-7027 | | |
| 16 | 4 | 112583500/0 | Grower | Kawasaki p/n 461DA0800 | | |

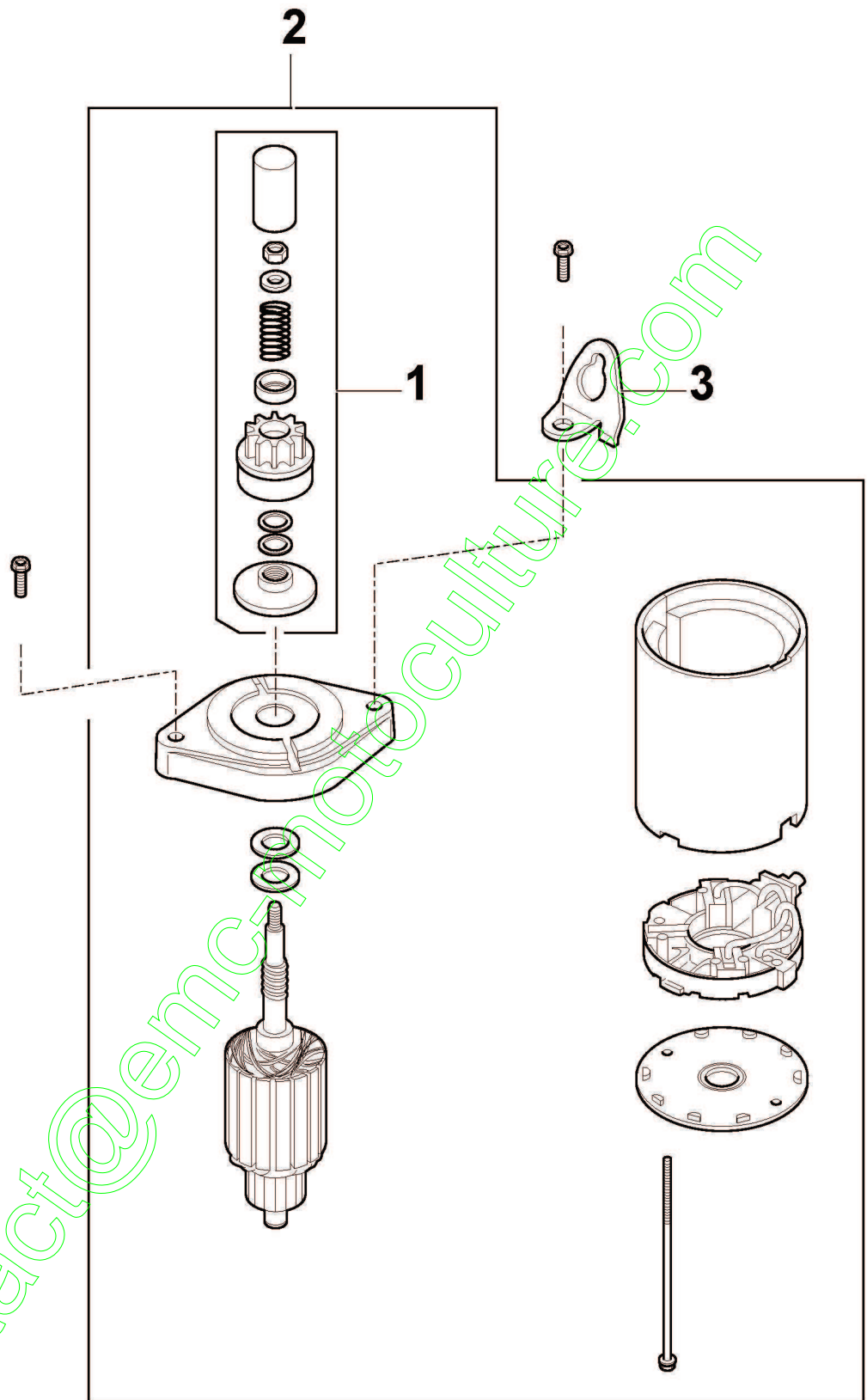
contact@emc-motoculture.com



Fuel-Tank/Fuel-Valve

| Réf. N° | Q.té : | Code article | Description | Articles | De | Jusqu'à |
|---------|--------|--------------|-------------------|-------------------------|----|---------|
| 1 | 1 | 118551034/0 | Sleeve | Kawasaki p/n 42036-7015 | | |
| 2 | 1 | 118551040/0 | Pompe à carburant | Kawasaki p/n 49040-7008 | | |
| 3 | 1 | 118551039/0 | Filtre | Kawasaki p/n 49019-7001 | | |
| 4 | 1 | 118551094/0 | Tube | Kawasaki p/n 92192-7148 | | |
| 5 | 1 | 118551097/0 | Tube | Kawasaki p/n 92192-7172 | | |
| 6 | 1 | 118551098/0 | Tube | Kawasaki p/n 92192-7185 | | |

contact@enc-motoculture.com



Démarreur

| Réf. N° | Q.té : | Code article | Description | Articles | De | Jusqu'à |
|---------|--------|--------------|-------------|-------------------------|----|---------|
| 1 | 1 | 118550989/0 | Engrenage | Kawasaki p/n 13101-7010 | | |
| 2 | 1 | 118551019/0 | Démarreur | Kawasaki p/n 21163-0727 | | |
| 3 | 1 | 118551029/0 | Accrochage | Kawasaki p/n 27012-7008 | | |

contact@enc-motoculture.com