

PAN 504

2008

821.0

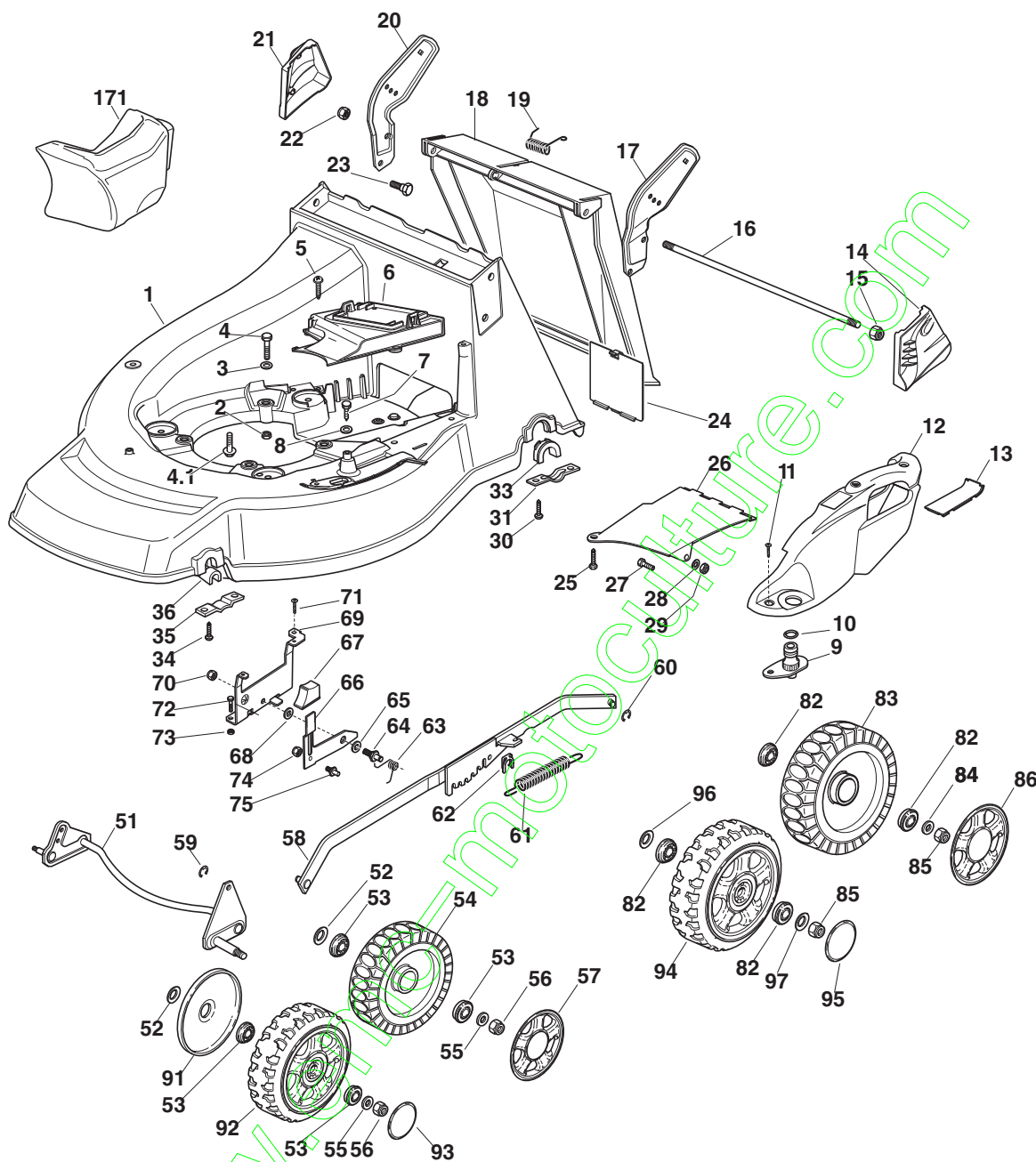
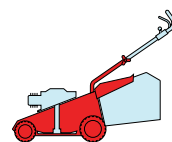
1 / 3

TR

TR/E

TR 4S

TR/E 4S



POS.	CODE	Q.TY	DESCRIZIONE	DESCRIPTION	DESCRIPTION	BESCHREIBUNG	REMARKS
1	81003500/0	1	CHASSIS ROSSO	DECK RED	CHÂSSIS ROUGE	GEHÄUSE ROT	
2	12155000/0	3	DADO	NUT	ECROU	MUTTER	
3	12521350/0	3	ROSETTA	WASHER	RONDELLE	SCHEIBE	
4	12691800/0	2	VITE	SCREW	VIS	SCHRAUBE	(B&S)
-	12692080/0	1	VITE	SCREW	VIS	SCHRAUBE	(B&S)
-	12691900/0	3	VITE	SCREW	VIS	SCHRAUBE	(GGP)
4,1	112735108/1	3	VITE	SCREW	VIS	SCHRAUBE	(HONDA)
5	12728522/0	2	VITE	SCREW	VIS	SCHRAUBE	
6	22060221/0	1	CARTER CINGHIA	PROTECTION, BELT	PROTECTION	SCHUTZ, RIEMEN	
7	12729600/0	1	VITE	SCREW	VIS	SCHRAUBE	
8	12523040/0	2	ROSETTA	WASHER	RONDELLE	SCHEIBE	

POS.	CODE	Q.TY	DESCRIZIONE	DESCRIPTION	DESCRIPTION	BESCHREIBUNG	REMARKS
9	22034000/0	1	ATTACCO ACQUA LAVAGGIO	WASHING CONNECTION	ATTAQUE LAVAGE	WASCHENVERBINDUNG	
10	19035000/0	1	ANELLO OR	OR RING	BAGUE OR	RING OR	
11	12728520/0	3	VITE	SCREW	VIS	SCHRAUBE	
12	22060146/0	1	CARTER REGOLAZIONE	DECK, ADJUSTMENT	CHÂSSIS REGLAGE	GEHÄUSE	
13	22546070/0	1	PIASTRINA	PLATE	PLAQUETTE	PLATTE	
14	22601003/0	1	PROTEZIONE	PROTECTION	PROTECTION	SCHUTZ	
15	12155000/0	2	DADO	NUT	ECROU	MUTTER	
16	22517856/1	1	PERNO	PIN	PIVOT	BOLZEN	
17	22778397/1	1	STAFFA SX	BRACKET, L	BRIDE G	PRATZE, LINKE	
18	22600023/2	1	PARASASSI	STONE-GUARD	PARE-PIERRES	PRALLBLECH	
19	22450270/0	1	MOLLA	SPRING	RESSORT	FEDER	
20	22778396/1	1	STAFFA DX	BRACKET, R	BRIDE D	PRATZE, RECHTE	
21	322601002/1	1	PROTEZIONE	PROTECTION	PROTECTION	SCHUTZ	
22	12155000/0	2	DADO	NUT	ECROU	MUTTER	
23	12793301/0	2	VITE	SCREW	VIS	SCHRAUBE	
24	22595352/0	1	PORTINA CHIUSURA	INSPECTION DOOR	VOYANT DE VISITE	ABDECKPLATTE	
25	12729600/0	1	VITE	SCREW	VIS	SCHRAUBE	
26	22108205/0	1	CONVOGLIATORE	CONVEYOR	CONVOYEUR	KONVEYOR	
27	12789000/0	1	VITE	SCREW	VIS	SCHRAUBE	
28	12523020/0	1	ROSETTA	WASHER	RONDELLE	SCHEIBE	
29	12154330/0	1	DADO	NUT	ECROU	MUTTER	
30	12731350/0	4	VITE	SCREW	VIS	SCHRAUBE	
31	22545147/0	2	PIASTRINA	PLATE	PLAQUETTE	PLATTE	
33	22038407/0	2	BRONZINA	BRASS	DOUILLE	BUCHSE	
34	12731350/0	4	VITE	SCREW	VIS	SCHRAUBE	
35	22545156/0	2	PIASTRINA	PLATE	PLAQUETTE	PLATTE	
36	22038400/1	2	BRONZINA	BRASS	DOUILLE	BUCHSE	
51	81002801/1	1	ASSE RUOTE ANTERIORI	AXLE, FRONT WHEELS	AXE ROUES AVANT	ACHSE, VORDERRAD	
52	12530150/0	2	ROSETTA ELASTICA	ELASTIC WASHER	RONDELLE ELASTIQUE	ELASTISCHE SCHEIBE	
53	22122200/0	4	CUSCINETTO	BEARING	COUSSINET	LAGER	
54	81007317/0	2	RUOTA Ø 170	WHEEL Ø 170	ROUE Ø 170	RAD. Ø 170	
55	12369500/0	2	ROSETTA	WASHER	RONDELLE	SCHEIBE	
56	12155000/0	2	DADO	NUT	ECROU	MUTTER	
57	-	2	COPRIMOZZO	HUB CAP	COUVRE-MOYEU	RADKAPPE	(SEE ENCLOSURE 1)
58	81001137/0	1	ASTA COMANDO REGOL. ALTEZZA	ROD, HEIGHT ADJUSTMENT	TIGE COMMANDE REGLAGE HAUTEUR	STANGE, HÖHEVERSTELLUNG	
59	12000930/0	1	ANELLO ELASTICO	SNAP RING	ANNEAU RESSORT	SPRENGRING	
60	12000930/0	1	ANELLO ELASTICO	SNAP RING	ANNEAU RESSORT	SPRENGRING	
61	22446180/0	1	MOLLA	SPRING	RESSORT	FEDER	
62	112436050/1	1	PIASTRINA	PLATE	PLAQUETTE	PLÄTTCHEN	
63	22446176/0	1	MOLLA	SPRING	RESSORT	FEDER	
64	22517880/1	1	PERNO	PIN	PIVOT	BOLZEN	
65	22672152/0	1	ROSETTA	WASHER	RONDELLE	SCHEIBE	
66	22322829/1	1	LEVA REGOLAZIONE ALTEZZA	LEVER, HEIGHT ADJUSTMENT	LEVIER, REGLAGE HAUTEUR	HEBEL, HÖHEVERSTELLUNG	
67	22602000/0	1	PULSANTE COMANDO	PUSHBUTTON, LEVER	BOUTON DE	STEUERHEBELDRUCKK	
68	22672151/0	1	ROSETTA	WASHER	RONDELLE	SCHEIBE	
69	22785115/0	1	SUPPORTO	SUPPORT, HEIGHT	SUPPORT REGLAGE	HALTER,	
70	12155000/0	1	DADO	NUT	ECROU	MUTTER	
71	12729600/0	1	VITE	SCREW	VIS	SCHRAUBE	

POS.	CODE	Q.Q.TY	DESCRIZIONE	DESCRIPTION	DESCRIPTION	BESCHREIBUNG	REMARKS
72	12793101/0	2	VITE	SCREW	VIS	SCHRAUBE	
73	12293201/0	2	DADO	NUT	ECROU	MUTTER	
74	12154510/0	1	DADO	NUT	ECROU	MUTTER	
75	22519746/0	1	PERNO	PIN	PIVOT	BOLZEN	
82	22122200/0	4	CUSCINETTO	BEARING	COUSSINET	LAGER	
83	81007318/1	2	RUOTA Ø 210	WHEEL Ø 210	ROUE Ø 210	RAD. Ø 210	
84	12369500/0	2	ROSETTA	WASHER	RONDELLE	SCHEIBE	
85	12155000/0	2	DADO	NUT	ECROU	MUTTER	
86	-	2	COPRIMOZZO	HUB CAP	COUVRE-MOYEU	RADKAPPE	(SEE ENCLOSURE 2)
91	22600144/0	2	PROTEZIONE	PROTECTION	PROTECTION	SCHUTZ	
92	81007376/0	2	RUOTA Ø 170	WHEEL Ø 170	ROUE Ø 170	RAD. Ø 170	
93	22110418/0	2	COPRIMOZZO	HUB CAP	COUVRE-MOYEU	RADKAPPE	
94	81007382/0	2	RUOTA Ø 210	WHEEL Ø 210	ROUE Ø 210	RAD. Ø 210	
95	22110419/0	2	COPRIMOZZO	HUB CAP	COUVRE-MOYEU	RADKAPPE	
96	22675100/0	2	ROSETTA	WASHER	RONDELLE	SCHEIBE	
97	22675100/0	2	ROSETTA	WASHER	RONDELLE	SCHEIBE	
171	22140224/0	1	TAPPO	CAP	BOUCHON	GUMMISTOPFEN	

**PAN 504**

2008

**821a.0**

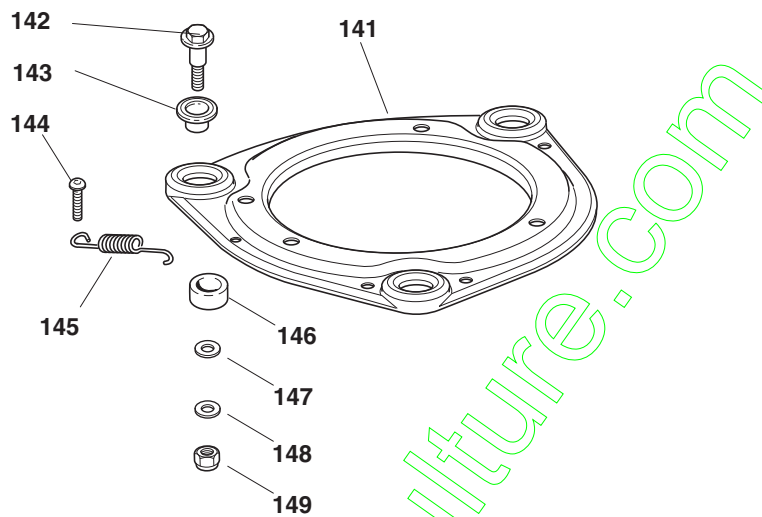
1 / 1

**TR**

**TR/E**

**TR 4S**

**TR/E 4S**



POS.	CODE	Q.TY	DESCRIZIONE	DESCRIPTION	DESCRIPTION	BESCHREIBUNG	REMARKS
141	22207223/0	1	FLANGIA	FLANGE	BRIDE	FLANSCH	
142	22524329/0	3	PERNO	PIN	PIVOT	BOLZEN	
143	22672201/0	3	ROSETTA	WASHER	RONDELLE	SCHEIBE	
144	12729601/1	1	VITE	SCREW	VIS	SCHRAUBE	
145	22450445/0	1	MOLLA	SPRING	RESSORT	FEDER	
146	22250012/0	3	GOMMINO	GROMMET	CAOUTCHOUC	GUMMI	
147	22671651/0	3	ROSETTA	WASHER	RONDELLE	SCHEIBE	
148	12521350/0	3	ROSETTA	WASHER	RONDELLE	SCHEIBE	
149	12155000/0	3	DADO	NUT	ECROU	MUTTER	

PAN 504

2008

821b.0

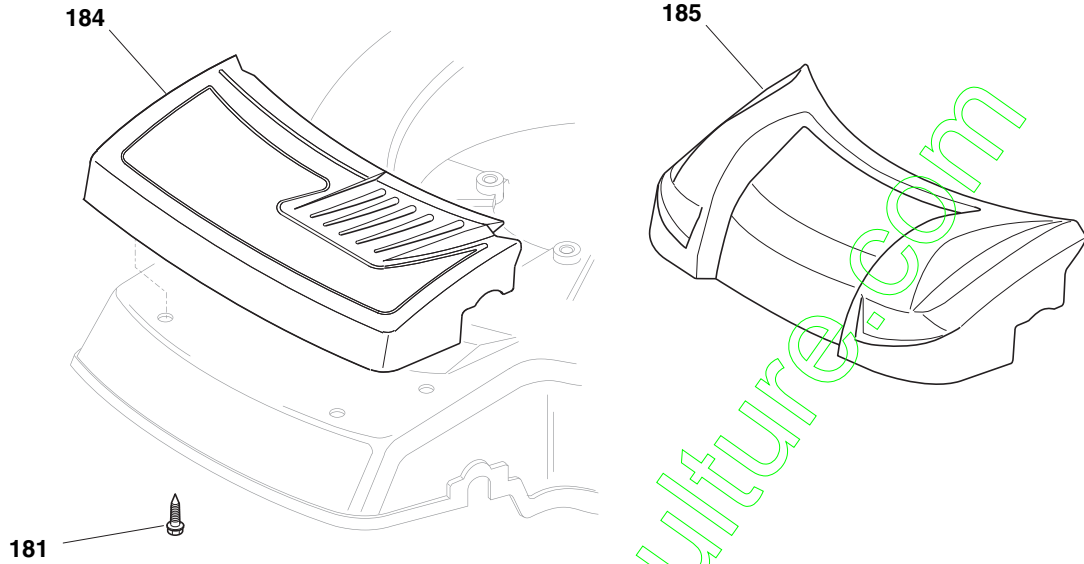
1 / 1

TR

TR/E

TR 4S

TR/E 4S



POS.	CODE	Q.TY	DESCRIZIONE	DESCRIPTION	DESCRIPTION	BESCHREIBUNG	REMARKS
181	12735420/0	4	VITE	SCREW	VIS	SCHRAUBE	
184	22226050/0	1	MASCHERINA, NERO	MASK, BLACK	MESQUE, NOIR	MASKE, SCHWARZ	
185	322226112/1	1	MASCHERINA, GRIGIO	MASK, GREY	MESQUE, GRIS	MASKE, GRAU	

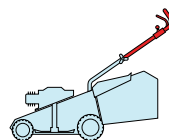
PAN 504

TR

TR/E

TR 4S

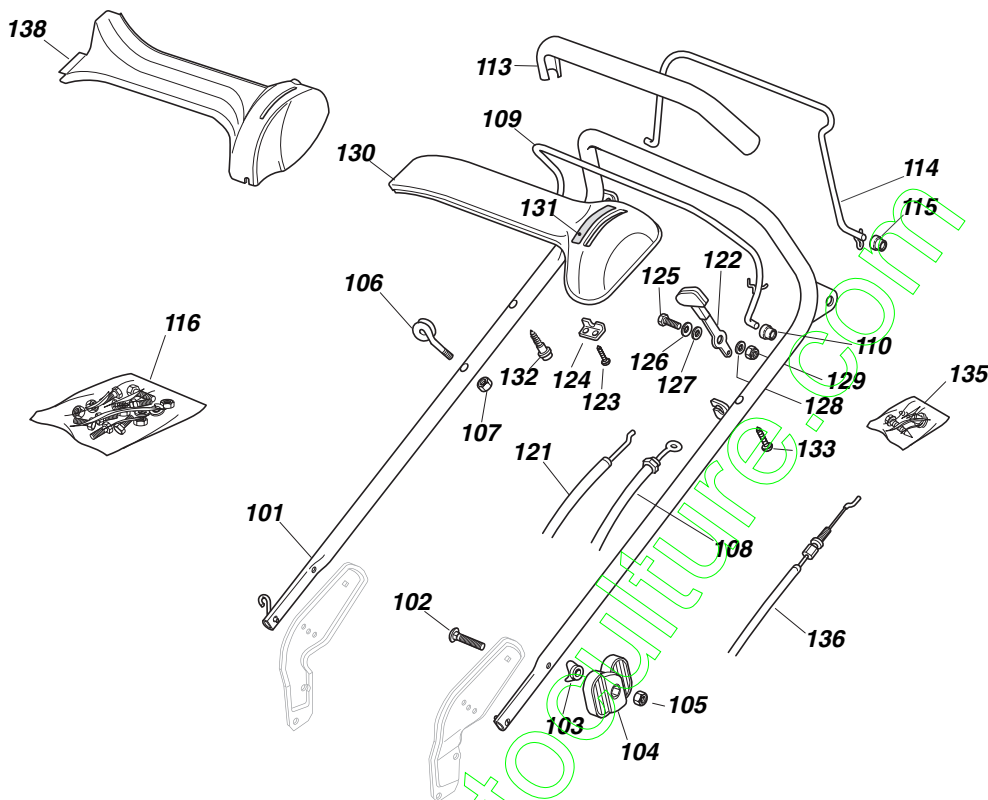
TR/E 4S



2008

822.0

1 / 2



POS.	CODE	Q.TY	DESCRIZIONE	DESCRIPTION	DESCRIPTION	BESCHREIBUNG	REMARKS
101	81006861/0	1	MANICO, PARTE SUP	HANDLE, UPPER PART	MANCHERON, PARTIE SUPERIEURE	HOLM, OBERTEIL	
102	12819120/0	2	VITE	SCREW	VIS	SCHRAUBE	
103	22680006/1	2	ROSETTA	WASHER	RONDELLE	SCHEIBE	
104	22399803/0	2	MANOPOLINA	KNOB	POIGNÉE	GRIFF	
105	12293200/0	2	DADO	NUT	ECROU	MUTTER	
106	22430309/0	1	MOLLA GUIDA	GUIDE SPRING	RESSORT DE GUIDE	FEDER FÜHRER	
107	12154330/0	1	DADO	NUT	ECROU	MUTTER	
108	81000631/0	1	CAVO FRENO MOTORE	CABLE, THREAD ENGINE BRAKE	CABLE FREIN MOTEUR	KABEL, MOTORBREMSE	(B&S 675 series)
-	81000757/0	1	CAVO FRENO MOTORE	CABLE, THREAD ENGINE BRAKE	CABLE FREIN MOTEUR	KABEL, MOTORBREMSE	(B&S 675ser.Ready-Start)
-	81000616/1	1	CAVO FRENO MOTORE	CABLE, THREAD ENGINE BRAKE	CABLE FREIN MOTEUR	KABEL, MOTORBREMSE	(HONDA)
-	81000757/0	1	CAVO FRENO MOTORE	CABLE, THREAD ENGINE BRAKE	CABLE FREIN MOTEUR	KABEL, MOTORBREMSE	(GGP 160cc)
-	81000634/0	1	CAVO FRENO MOTORE	CABLE, THREAD ENGINE BRAKE	CABLE FREIN MOTEUR	KABEL, MOTORBREMSE	(GGP 200cc)
109	81003291/3	1	LEVA FRENO MOTORE	LEVER, ENGINE BRAKE	LEVIER FREIN MOTEUR	HEBEL, MOTORBREMSE	
110	22041966/0	2	BUSSOLA	BUSH	DOUILLE	BUCHSE	
111	12728518/0	1	VITE	SCREW	VIS	SCHRAUBE	
112	22806612/0	1	SUPPORTO	SUPPORT	SUPPORT	HALTER	
113	22291050/0	1	IMPUGNATURA MANICO NERA	HANDGRIP BLACK	POIGNÉE NOIRE	HANDGRIFF SCHWARZ	
114	81003288/1	1	LEVA TRAZIONE	LEVER, DRIVING	LEVIER TRACTION	HEBEL, ANTRIEB	
115	22041965/1	2	BUSSOLA	BUSH	DOUILLE	BUCHSE	
116	81008610/0	1	DOTAZIONE VITERIA	OUTFIT, SCREWS	DOTATION VISSERIE	SATZ, SCHRAUBEN	

POS.	CODE	Q.Q.TY	DESCRIZIONE	DESCRIPTION	DESCRIPTION	BESCHREIBUNG	REMARKS
121	81007160/0	1	CAVO ACCELERATORE	THROTTLE CABLE	CABLE, ACCELERATEUR	GASHEBEL KABEL	
122	81007280/2	1	LEVA, ACCELERATORE	LEVER, THROTTLE	LEVIER,	HEBEL, BESHLEUNIGER	(B&S 625/650/675 series - HONDA - GGP 160/200 cc)
-	81007221/0	1	LEVA, ACCELERATORE	LEVER, THROTTLE	LEVIER,	HEBEL, BESHLEUNIGER	(B&S 450/500 series - GGP 150 cc)
123	12735105/0	2	VITE	SCREW	VIS	SCHRAUBE	
124	22981467/0	1	PIASTRINA	PLATE	PLAQUETTE	PLATTE	
125	12791500/0	1	VITE	SCREW	VIS	SCHRAUBE	
126	12530060/0	1	ROSETTA ELASTICA	ELASTIC WASHER	RONDELLE ELASTIQUE	ELASTISCHE SCHEIBE	
127	12523040/0	1	ROSETTA	WASHER	RONDELLE	SCHEIBE	
128	12523040/0	1	ROSETTA	WASHER	RONDELLE	SCHEIBE	
129	12154510/0	1	DADO	NUT	ECROU	MUTTER	
130	22120152/0	1	CRUSCOTTO GIALLO	DASH BOARD YELLOW	CONSOLE JAUNE	KONSOLE GELBE	
-	22120154/0	1	CRUSCOTTO ROSSO	DASH BOARD RED	CONSOLE ROUGE	KONSOLE ROTE	
-	22120158/0	1	CRUSCOTTO NERO	DASH BOARD BLACK	CONSOLE NOIRE	KONSOLE SCHWARZE	
131	114356744/1	1	ETICHETTA	LABEL	ETIQUETTE	ETIKETTE	(B&S)
-	114356743/1	1	ETICHETTA	LABEL	ETIQUETTE	ETIKETTE	(HONDA - GGP)
132	22943006/0	1	VITE	SCREW	VIS	SCHRAUBE	
133	12728460/0	1	VITE	SCREW	VIS	SCHRAUBE	
135	81008609/0	1	DOTAZIONE VITERIA CRUSCOTTO	OUTFIT, DASH-BOARD SCREWS	DOTATION VISSERIE CONSOLLE	SATZ, KONSOLE SCHRAUBEN	
136	81000673/0	1	CAVO COMANDO TRAZIONE	CABLE, REAR DRIVE	CÂBLE, COMMANDE TRACTION	KABEL, ANTRIEB	(BI. CI. DI.)
-	81000669/0	1	CAVO COMANDO TRAZIONE	CABLE, REAR DRIVE	CÂBLE, COMMANDE TRACTION	KABEL, ANTRIEB	(GENERAL TRANSMISSION)
138	22120172/0	1	CRUSCOTTO NERO	DASH BOARD BLACK	CONSOLE NOIRE	KONSOLE SCHWARZE	
-	22120173/0	1	CRUSCOTTO ROSSO	DASH BOARD RED	CONSOLE ROUGE	KONSOLE ROTE	
-	22120174/0	1	CRUSCOTTO GIALLO	DASH BOARD YELLOW	CONSOLE JAUNE	KONSOLE GELBE	

www.emc-motoculture.com

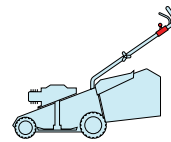
PAN 504

TR

TR/E

TR 4S

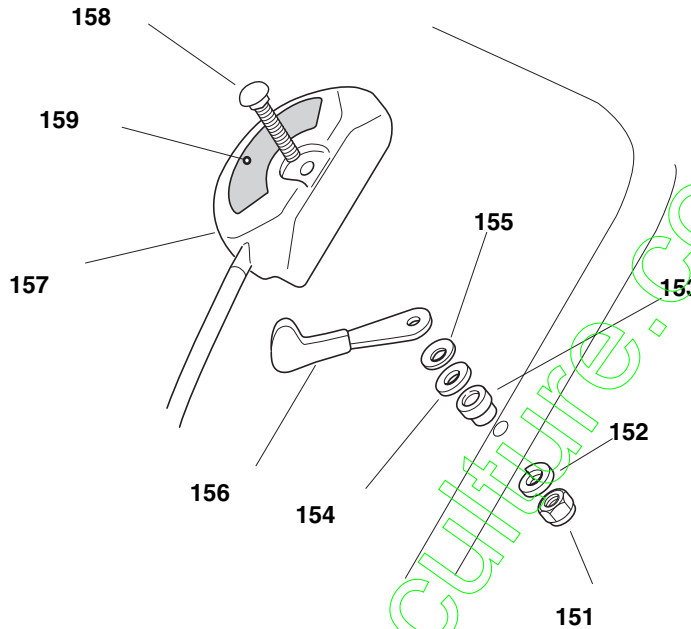
TR/E 4S



2008

822a.0

1 / 1



POS.	CODE	Q.TY	DESCRIZIONE	DESCRIPTION	DESCRIPTION	BESCHREIBUNG	REMARKS
151	12291000/0	1	DADO	NUT	ECROU	MUTTER	
152	12581500/0	1	GROWER	GROWER	GROWER	FEDERRING	
153	22171005/0	1	DISTANZIALE	SPACER	ENTRETOISE	DISTANZRING	
154	12521360/0	1	ROSETTA	WASHER	RONDELLE	SCHEIBE	
155	12508100/0	1	ROSETTA ELASTICA	SPRING WASHER	RONDELLE ELASTIQUE	ELASTISCHE SCHEIBE	
156	81007279/1	1	LEVA, ACCELERATORE	LEVER, THROTTLE	LEVIER, ACCELERATEUR	HEBEL, BESHLEUNIGER	(B&S 625/650/675 series - HONDA - GGP 160/200 cc)
-	81007220/0	1	LEVA, ACCELERATORE	LEVER, THROTTLE	LEVIER, ACCELERATEUR	HEBEL, BESHLEUNIGER	(B&S 450/500 series - GGP 150 cc)
157	81007080/0	1	CAVO ACCELERATORE	THROTTLE CABLE	CABLE, ACCELERATEUR	GASHEBEL KABEL	
158	12815000/0	1	VITE	SCREW	VIS	SCHRAUBE	
159	14356703/0	1	ETICHETTA	LABEL	ETIQUETTE	ETIKETTE	(B&S)
-	14356702/0	1	ETICHETTA	LABEL	ETIQUETTE	ETIKETTE	(HONDA - GGP)



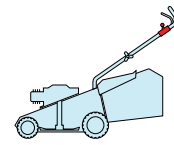
**PAN 504**

TR

TR/E

TR 4S

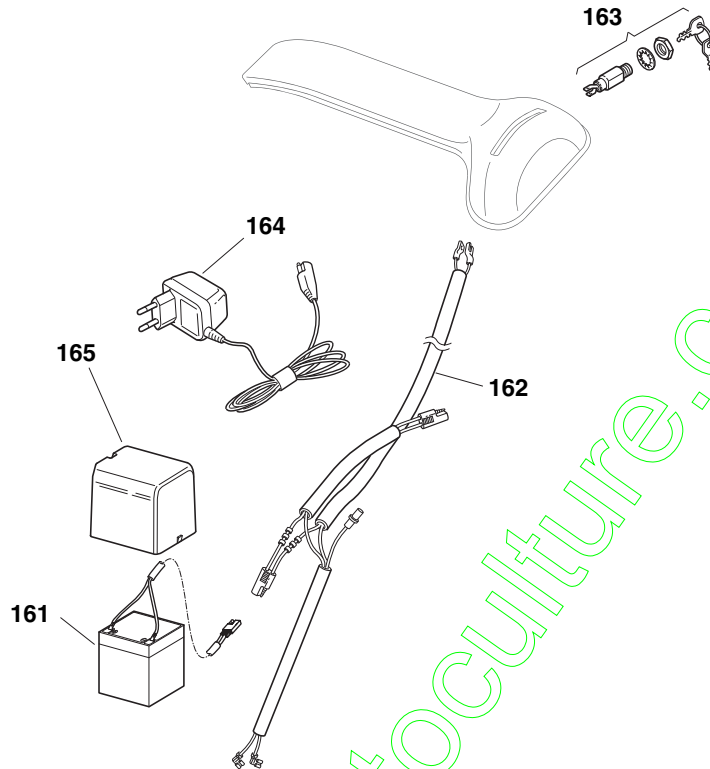
TR/E 4S



2008

**822b.0**

1 / 1



POS.	CODE	Q.TY	DESCRIZIONE	DESCRIPTION	DESCRIPTION	BESCHREIBUNG	REMARKS
161	18120052/0	1	BATTERIA	BATTERY	BATTERIE	BATTERIE	
162	118204192/3	1	CAVO AVVIAMENTO	CABLE, START	CABLE DÉMARRAGE	KABEL, START	(B&S - GGP)
-	18204198/0	1	CAVO AVVIAMENTO	CABLE, START	CABLE DÉMARRAGE	KABEL, START	(HONDA)
163	18450050/0	1	INTERRUTTORE	SWITCH	INTERRUPTEUR	SCHALTER	
164	18204120/0	1	CARICA BATTERIA	BATTERY CHARGER	CHARGEUR DE	LADGERÄT	
164	18204121/0	1	CARICA BATTERIA	BATTERY CHARGER	CHARGEUR DE	LADGERÄT	(UK)
165	22109530/0	1	COPERCHIO	COVER	COUVERCLE	DECKEL	

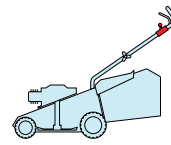
PAN 504

TR

TR/E

TR 4S

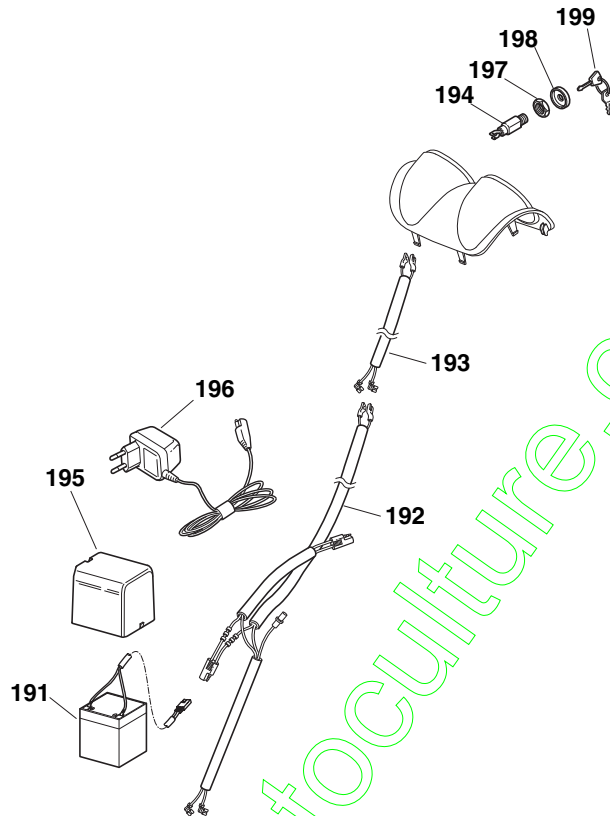
TR/E 4S



2008

822c.0

1 / 1



POS.	CODE	Q.TY	DESCRIZIONE	DESCRIPTION	DESCRIPTION	BESCHREIBUNG	REMARKS
191	18120052/0	1	BATTERIA	BATTERY	BATTERIE	BATTERIE	
192	118204192/3	1	CAVO AVVIAMENTO	CABLE, START	CABLE DÉMARRAGE	KABEL, START	(B&S - GGP)
-	18204198/0	1	CAVO AVVIAMENTO	CABLE, START	CABLE DÉMARRAGE	KABEL, START	(HONDA)
193	18204199/0	1	CAVO	CABLE	CABLE	KABEL	
194	18450050/0	1	INTERRUTTORE	SWITCH	INTERRUPTEUR	SCHALTER	
195	22109530/0	1	COPERCHIO	COVER	COUVERCLE	DECKEL	
196	18204120/0	1	CARICA BATTERIA	BATTERY CHARGER	CHARGEUR DE	LADGERÄT	
-	18204121/0	1	CARICA BATTERIA	BATTERY CHARGER	CHARGEUR DE	LADGERÄT	(UK)
197	18400861/0	1	GHIERA	RINGNUT	EMBOUT	NUTMUTTER	
198	18565351/0	1	PROTEZIONE GHIERA	RINGNUT PROTECTION	PROTECTION EMBOUT	NUTMUTTER SCHUTZ	
199	18210016/1	1	CHIAVE AVVIAMENTO	STARTING KEY	CLEF A DEMARRAGE	SCHLÜSSEL FÜR START	

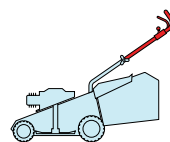
PAN 504

TR

TR/E

TR 4S

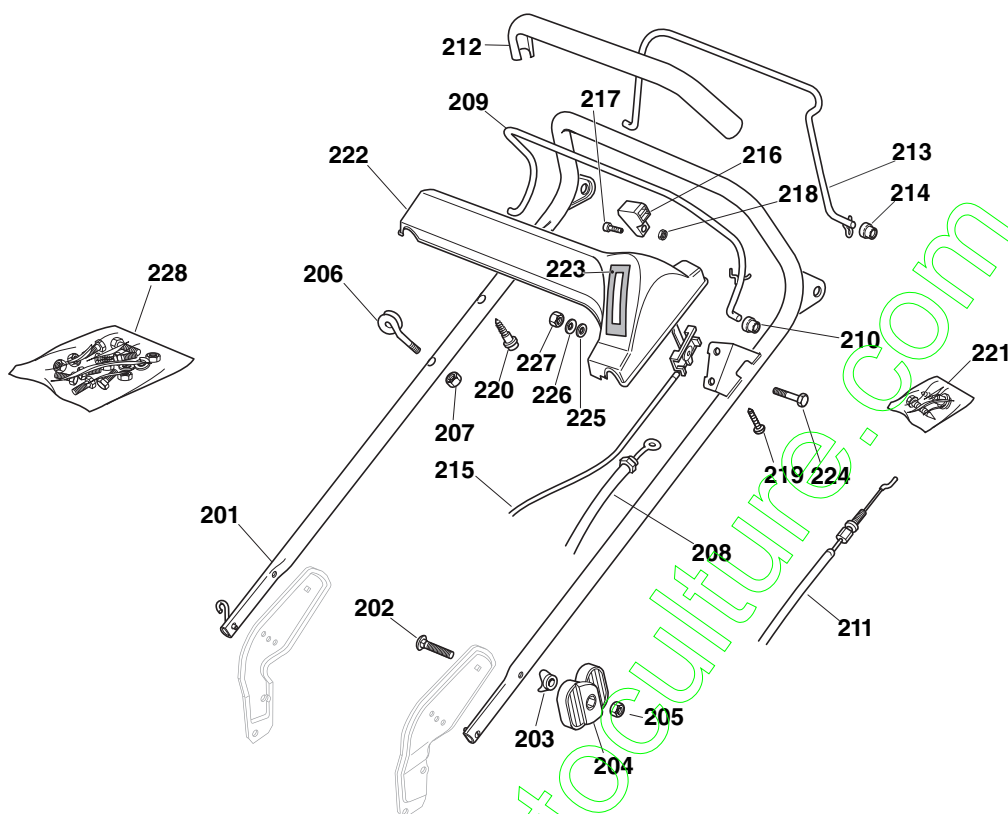
TR/E 4S



2008

822d.0

1 / 2



POS.	CODE	Q.TY	DESCRIZIONE	DESCRIPTION	DESCRIPTION	BESCHREIBUNG	REMARKS
201	81007028/1	1	MANICO, PARTE SUP	HANDLE, UPPER PART	MANCHERON, PARTIE SUPERIEURE	HOLM, OBERTEIL	
202	12819120/0	2	VITE	SCREW	VIS	SCHRAUBE	
203	22680006/1	2	ROSETTA	WASHER	RONDELLE	SCHEIBE	
204	22399803/0	2	MANOPOLINA	KNOB	POIGNÉE	GRIFF	
205	12293200/0	2	DADO	NUT	ECROU	MUTTER	
206	22430309/0	1	MOLLA GUIDA	GUIDE SPRING	RESSORT DE GUIDE	FEDER FÜHRER	
207	12154330/0	1	DADO	NUT	ECROU	MUTTER	
208	81000631/0	1	CAVO FRENO MOTORE BRAKE	CABLE, THREAD ENGINE BRAKE	CABLE FREIN MOTEUR	KABEL, MOTORBREMSE	(B&S 675 series)
-	81000757/0	1	CAVO FRENO MOTORE BRAKE	CABLE, THREAD ENGINE BRAKE	CABLE FREIN MOTEUR	KABEL, MOTORBREMSE	(B&S 675ser.Ready-Start)
-	81000616/1	1	CAVO FRENO MOTORE BRAKE	CABLE, THREAD ENGINE BRAKE	CABLE FREIN MOTEUR	KABEL, MOTORBREMSE	(HONDA)
-	81000757/0	1	CAVO FRENO MOTORE BRAKE	CABLE, THREAD ENGINE BRAKE	CABLE FREIN MOTEUR	KABEL, MOTORBREMSE	(GGP 160cc)
-	81000634/0	1	CAVO FRENO MOTORE BRAKE	CABLE, THREAD ENGINE BRAKE	CABLE FREIN MOTEUR	KABEL, MOTORBREMSE	(GGP 200cc)
209	81003291/3	1	LEVA FRENO MOTORE	LEVER, ENGINE BRAKE	LEVIER FREIN MOTEUR	HEBEL, MOTORBREMSE	
210	22041966/0	2	BUSSOLA	BUSH	DOUILLE	BUCHSE	
211	81000673/0	1	CAVO COMANDO TRAZIONE	CABLE, REAR DRIVE	CÂBLE, COMMANDE TRACTION	KABEL, ANTRIEB	(BI. CI. DI.)
-	81000669/0	1	CAVO COMANDO TRAZIONE	CABLE, REAR DRIVE	CÂBLE, COMMANDE TRACTION	KABEL, ANTRIEB	(GENERAL TRANSMISSION)
212	22291050/0	1	IMPUGNATURA MANICO NERA	HANDGRIP BLACK	POIGNÉE NOIRE	HANDGRIFF SCHWARZ	
213	81003288/1	1	LEVA TRAZIONE	LEVER, DRIVING	LEVIER TRACTION	HEBEL, ANTRIEB	
214	22041965/1	2	BUSSOLA	BUSH	DOUILLE	BUCHSE	
215	81007091/0	1	CAVO ACCELERATORE	THROTTLE CABLE	CABLE, ACCELERATEUR	GASHEBEL KABEL	(B&S)

POS.	CODE	Q.TY	DESCRIZIONE	DESCRIPTION	DESCRIPTION	BESCHREIBUNG	REMARKS
215	81007092/0	1	CAVO ACCELERATORE	THROTTLE CABLE	CABLE, ACCELERATEUR	GASHEBEL KABEL	(HONDA - GGP)
216	22399801/0	1	MANOPOLINA	KNOB	POIGNÉE	GRIFF	
217	12726388/0	1	VITE	SCREW	VIS	SCHRAUBE	
218	12290800/0	1	DADO	NUT	ECROU	MUTTER	
219	12728460/0	1	VITE	SCREW	VIS	SCHRAUBE	
220	22943006/0	1	VITE	SCREW	VIS	SCHRAUBE	
221	81008499/1	1	DOTAZIONE VITERIA CRUSCOTTO	OUTFIT, DASH-BOARD SCREWS	DOTATION VISSERIE CONSOLLE	SATZ, KONSOLE SCHRAU- BEN	
222	22120148/0	1	CRUSCOTTO GIALLO	DASH BOARD YELLOW	CONSOLE JAUNE	KONSOLE GELBE	
-	22120150/0	1	CRUSCOTTO ROSSO	DASH BOARD RED	CONSOLE ROUGE	KONSOLE ROTE	
-	22120164/0	1	CRUSCOTTO NERO	DASH BOARD BLACK	CONSOLE NOIRE	KONSOLE SCHWARZE	
223	14361477/0	1	ETICHETTA	LABEL	ETIQUETTE	ETIKETTE	(GGP)
-	14356693/0	1	ETICHETTA	LABEL	ETIQUETTE	ETIKETTE	(B&S)
-	14356692/0	1	ETICHETTA	LABEL	ETIQUETTE	ETIKETTE	(HONDA)
224	12788910/0	2	VITE	SCREW	VIS	SCHRAUBE	
225	12523020/0	2	ROSETTA	WASHER	RONDELLE	SCHEIBE	
226	12581500/0	2	GROWER	GROWER	GROWER	FEDERRING	
227	12291000/0	2	DADO	NUT	ECROU	MUTTER	
228	81008610/0	1	DOTAZIONE VITERIA	OUTFIT, SCREWS	DOTATION VISSERIE	SATZ, SCHRAUBEN	

www.emc-motoculture.com

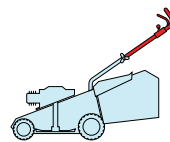
PAN 504

TR

TR/E

TR 4S

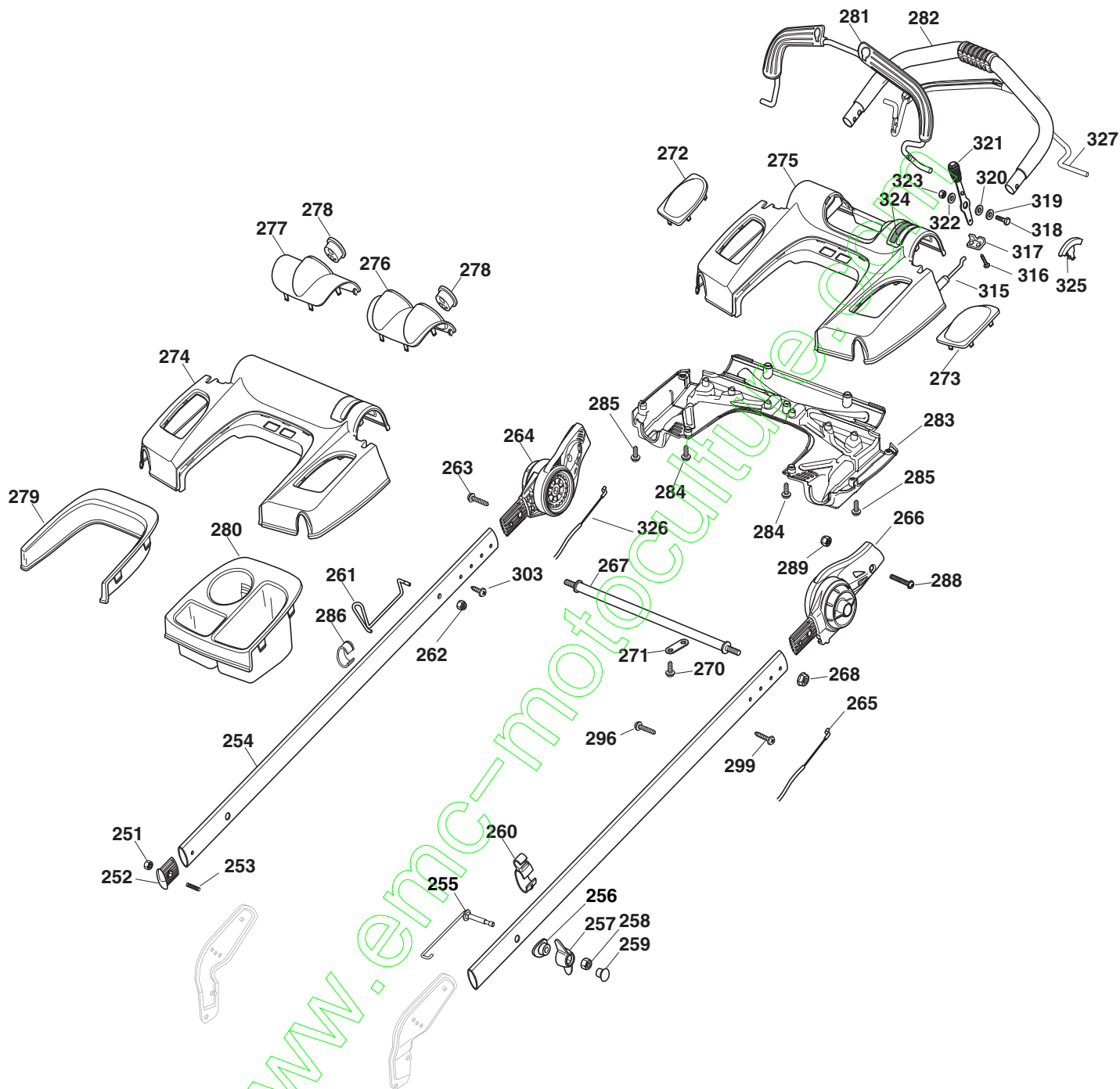
TR/E 4S



2008

822e.0

1 / 3



POS.	CODE	Q.TY	DESCRIZIONE	DESCRIPTION	DESCRIPTION	BESCHREIBUNG	REMARKS
251	12154510/0	2	DADO	NUT	ECROU	MUTTER	
252	22820071/0	2	PUNTALE	CAP	BOUCHON	GUMMISTOPFEN	
253	12789450/0	2	VITE	SCREW	VIS	SCHRAUBE	
254	322498105/1	2	MANICO	HANDLE	MANCHERON	HOLM	
255	381003805/0	2	MOLLA GUIDA	SPRING	RESSORT	FEDER	
256	22680012/0	2	ROSETTA	WASHER	RONDELLE	SCHEIBE	
257	22399821/0	2	MANOPOLINA	KNOB	POIGNÉE	GRIFF	
258	12293200/0	2	DADO	NUT	ECROU	MUTTER	

POS.	CODE	Q.TY	DESCRIZIONE	DESCRIPTION	DESCRIPTION	BESCHREIBUNG	REMARKS
259	322820072/1	2	TAPPO	CAP	BOUCHON	STOPFEN	
260	22192003/0	1	FERMACAVO	FAIRLEAD	FIXATION CABLE	KABELBEFESTIGUNG	
261	122430316/1	1	MOLLA GUIDA	SPRING	RESSORT	FEDER	
262	12154330/0	1	DADO	NUT	ECROU	MUTTER	
263	12728698/0	1	VITE	SCREW	VIS	SCHRAUBE	
264	381745003/0	1	SNODO	JOINT	JOINT	GELENK	
265	81000751/0	1	CAVO FRENO MOTORE	CABLE, THREAD ENGINE BRAKE	CABLE FREIN MOTEUR	KABEL, MOTORBREMSE	504 TR/E (B&S 675 series ES)
-	81000752/0	1	CAVO FRENO MOTORE	CABLE, THREAD ENGINE BRAKE	CABLE FREIN MOTEUR	KABEL, MOTORBREMSE	(B&S 675 series)
-	181000759/0	1	CAVO FRENO MOTORE	CABLE, THREAD ENGINE BRAKE	CABLE FREIN MOTEUR	KABEL, MOTORBREMSE	(HONDA)
-	181000759/0	1	CAVO FRENO MOTORE	CABLE, THREAD ENGINE BRAKE	CABLE FREIN MOTEUR	KABEL, MOTORBREMSE	(GGP 200cc)
266	381745004/0	1	SNODO	JOINT	JOINT	GELENK	
267	122608537/1	1	RINFORZO	STIFFENING	RENFORCEMENT	VERSTAERKUNG	
268	12293201/0	2	DADO	NUT	ECROU	MUTTER	
270	12728691/0	2	VITE	SCREW	VIS	SCHRAUBE	
271	322981471/0	2	PIASTRINA	PLATE	PLAQUE	PLATTE	
272	322557155/1	1	COPERCHIO	COVER	COUVERCLE	DECKEL	
273	322557156/1	1	COPERCHIO	COVER	COUVERCLE	DECKEL	
274	322120184/2	1	CRUSCOTTO	DASH BOARD	CONSOLE	KONSOLE	
275	322120185/2	1	CRUSCOTTO	DASH BOARD	CONSOLE	KONSOLE	
276	322109542/1	1	COPERCHIO	COVER	COUVERCLE	DECKEL	
277	322109541/1	1	COPERCHIO	COVER	COUVERCLE	DECKEL	
278	122480000/1	1	OROLOGIO	CLOCK	MONTRE	UHR	
279	322109543/1	1	PROTEZIONE	PROTECTION	PROTECTION	SCHUTZ	
280	322109540/1	1	VASCHETTE PORTAOGGETTI	TRAY	BAC DE RANGEMENT	ABLAGE	
281	81003325/0	1	LEVA FRENO MOTORE	LEVER, ENGINE BRAKE	LEVIER FREIN MOTEUR	HEBEL, MOTORBREMSE	
282	381006670/1	1	IMPUGNATURA MANICO	HANDGRIP	POIGNÉE	HANDGRIFF	
283	322109547/0	1	COPERCHIO	COVER	COUVERCLE	DECKEL	
284	112728706/0	2	VITE	SCREW	VIS	SCHRAUBE	
285	112728695/0	7	VITE	SCREW	VIS	SCHRAUBE	
286	322192004/0	1	FASCETTA	ANCHOR CLAMP	COLLIER ANCRAGE	BOWDENZUGHALTER	
288	112727799/0	2	VITE	SCREW	VIS	SCHRAUBE	
289	12154510/0	2	DADO	NUT	ECROU	MUTTER	
296	12728526/0	1	VITE	SCREW	VIS	SCHRAUBE	
299	12728698/0	1	VITE	SCREW	VIS	SCHRAUBE	
303	12728526/0	1	VITE	SCREW	VIS	SCHRAUBE	
315	81007160/0	1	CAVO ACCELERATORE	THROTTLE CABLE	CABLE, ACCELERATEUR	GASHEBEL KABEL	
316	12735105/0	2	VITE	SCREW	VIS	SCHRAUBE	
317	22981467/0	1	PIASTRINA	PLATE	PLAQUETTE	PLATTE	
318	12791500/0	1	VITE	SCREW	VIS	SCHRAUBE	
319	12530060/0	1	ROSETTA	WASHER	RONDELLE	SCHEIBE	
320	12523040/0	1	ROSETTA	WASHER	RONDELLE	SCHEIBE	
321	381007225/1	1	LEVA, ACCELERATORE - NERA	LEVER, THROTTLE	LEVIER,	HEBEL, BESHLEUNIGER	
-	381007222/1	1	LEVA, ACCELERATORE - ROSSA	LEVER, THROTTLE	LEVIER,	HEBEL, BESHLEUNIGER	
322	12523040/0	1	ROSETTA	WASHER	RONDELLE	SCHEIBE	
323	12154510/0	1	DADO	NUT	ECROU	MUTTER	
324	114362568/0	1	ETICHETTA	LABEL	ETIQUETTE	ETIKETTE	(B&S 700)
-	114361912/1	1	ETICHETTA	LABEL	ETIQUETTE	ETIKETTE	(B&S)

POS.	CODE	Q.Q.TY	DESCRIZIONE	DESCRIPTION	DESCRIPTION	BESCHREIBUNG	REMARKS
324	114361913/1	1	ETICHETTA	LABEL	ETIQUETTE	ETIKETTE	(HONDA)
-	114362229/1	1	ETICHETTA	LABEL	ETIQUETTE	ETIKETTE	(GGP 200 cc)
-	114362230/1	1	ETICHETTA	LABEL	ETIQUETTE	ETIKETTE	AVS (GGP 200CC)
325	22557160/0	1	TAPPO	CAP	BOUCHON	GUMMISTOPFEN	
326	381030015/0	1	CAVO COMANDO TRAZIONE	CABLE, REAR DRIVE	CÂBLE, COMMANDE TRACTION	KABEL, ANTRIEB	(BI. CI. DI.)
-	381030023/0	1	CAVO COMANDO TRAZIONE	CABLE, REAR DRIVE	CÂBLE, COMMANDE TRACTION	KABEL, ANTRIEB	(GENERAL TRANSMISSION)
327	381003328/0	1	LEVA TRAZIONE	LEVER, DRIVING	LEVIER TRACTION	HEBEL, ANTRIEB	

[www.emc-motoculture.com](http://www.emc-motoculture.com)

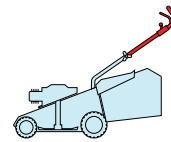
PAN 504

TR

TR/E

TR 4S

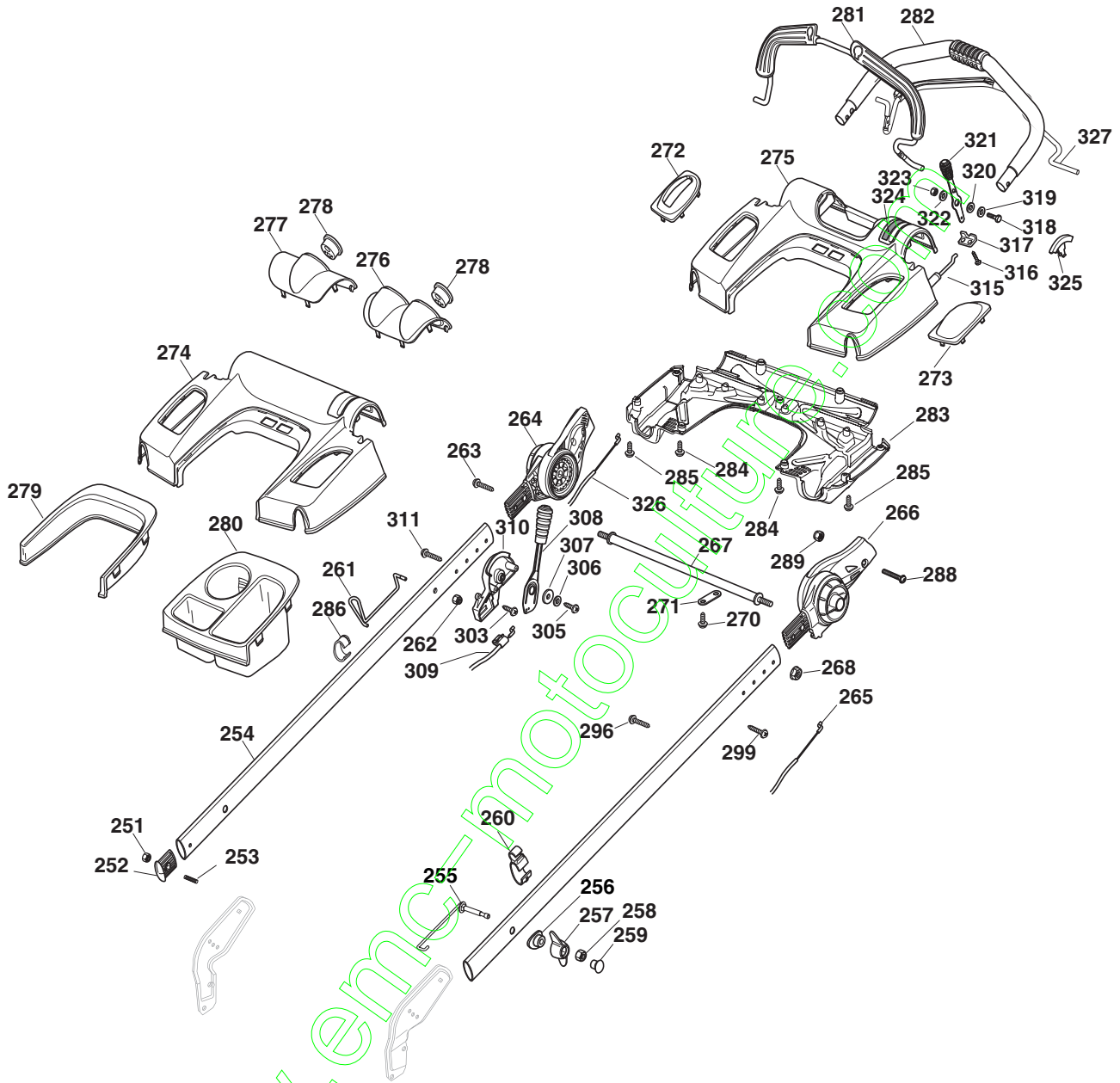
TR/E 4S



2008

822f.0

1 / 3



POS.	CODE	Q.TY	DESCRIZIONE	DESCRIPTION	DESCRIPTION	BESCHREIBUNG	REMARKS
251	12154510/0	2	DADO	NUT	ECROU	MUTTER	
252	22820071/0	2	PUNTALE	CAP	BOUCHON	GUMMISTOPFEN	
253	12789450/0	2	VITE	SCREW	VIS	SCHRAUBE	
254	322498105/1	2	MANICO	HANDLE	MANCHERON	HOLM	
255	381003805/0	2	MOLLA GUIDA	SPRING	RESSORT	FEDER	
256	22680012/0	2	ROSETTA	WASHER	RONDELLE	SCHEIBE	
257	22399821/0	2	MANOPOLINA	KNOB	POIGNÉE	GRIFF	
258	12293200/0	2	DADO	NUT	ECROU	MUTTER	
259	322820072/1	2	TAPPO	CAP	BOUCHON	STOPFEN	
260	22192003/0	1	FERMACAVO	FAIRLEAD	FIXATION CABLE	KABELBEFESTIGUNG	
261	122430316/1	1	MOLLA GUIDA	SPRING	RESSORT	FEDER	
262	12154330/0	1	DADO	NUT	ECROU	MUTTER	



POS.	CODE	Q.QTY	DESCRIZIONE	DESCRIPTION	DESCRIPTION	BESCHREIBUNG	REMARKS
263	12728702/0	1	VITE	SCREW	VIS	SCHRAUBE	
264	381745003/0	1	SNODO	JOINT	JOINT	GELENK	
265	81000751/0	1	CAVO FRENO MOTORE	CABLE, THREAD ENGINE BRAKE	CABLE FREIN MOTEUR	KABEL, MOTORBREMSE	504 TR/E (B&S 675 SERIES ES)
-	81000752/0	1	CAVO FRENO MOTORE	CABLE, THREAD ENGINE BRAKE	CABLE FREIN MOTEUR	KABEL, MOTORBREMSE	(B&S 675 series)
-	181000759/0	1	CAVO FRENO MOTORE	CABLE, THREAD ENGINE BRAKE	CABLE FREIN MOTEUR	KABEL, MOTORBREMSE	(HONDA)
-	181000759/0	1	CAVO FRENO MOTORE	CABLE, THREAD ENGINE BRAKE	CABLE FREIN MOTEUR	KABEL, MOTORBREMSE	(GGP 200cc)
266	381745004/0	1	SNODO	JOINT	JOINT	GELENK	
267	122608537/1	1	RINFORZO	STIFFENING	REINFORCEMENT	VERSTAERKUNG	
268	12293201/0	2	DADO	NUT	ECROU	MUTTER	
270	12728691/0	2	VITE	SCREW	VIS	SCHRAUBE	
271	322981471/0	2	PIASTRINA	PLATE	PLAQUE	PLATTE	
272	322557159/1	1	COPERCHIO	COVER	COUVERCLE	DECKEL	
273	322557156/1	1	COPERCHIO	COVER	COUVERCLE	DECKEL	
274	322120184/2	1	CRUSCOTTO	DASH BOARD	CONSOLE	KONSOLE	
275	322120185/2	1	CRUSCOTTO	DASH BOARD	CONSOLE	KONSOLE	
276	322109542/1	1	COPERCHIO	COVER	COUVERCLE	DECKEL	
277	322109541/1	1	COPERCHIO	COVER	COUVERCLE	DECKEL	
278	122480000/1	1	OROLOGIO	CLOCK	MONTRE	UHR	
279	322109543/1	1	PROTEZIONE	PROTECTION	PROTECTION	SCHUTZ	
280	322109540/1	1	VASCHETTE PORTAOGGETTI	TRAY	BAC DE RANGEMENT	ABLAGE	
281	81003325/0	1	LEVA FRENO MOTORE	LEVER, ENGINE BRAKE	LEVIER FREIN MOTEUR	HEBEL, MOTORBREMSE	
282	381006670/1	1	IMPUGNATURA MANICO	HANDGRIP	POIGNEE	HANDGRIFF	
283	322109547/0	1	COPERCHIO	COVER	COUVERCLE	DECKEL	
284	112728706/0	2	VITE	SCREW	VIS	SCHRAUBE	
285	112728695/0	7	VITE	SCREW	VIS	SCHRAUBE	
286	322192004/0	1	FASCETTA	ANCHOR CLAMP	COLLIER ANCRAGE	BOWDENZUGHALTER	
288	112727799/0	2	VITE	SCREW	VIS	SCHRAUBE	
289	12154510/0	2	DADO	NUT	ECROU	MUTTER	
296	12728526/0	1	VITE	SCREW	VIS	SCHRAUBE	
299	12728698/0	1	VITE	SCREW	VIS	SCHRAUBE	
303	12728527/0	1	VITE	SCREW	VIS	SCHRAUBE	
305	12728686/0	1	VITE	SCREW	VIS	SCHRAUBE	
306	12523020/0	1	ROSETTA	WASHER	RONDELLE	SCHEIBE	
307	22680013/0	1	RONDELLA	WASHER	RONDELLE	SCHEIBE	
308	381007226/1	1	LEVA TRAZIONE NERA	LEVER, DRIVING	LEVIER TRACTION	HEBEL, ANTRIEB	
309	81000738/0	1	CAVO COMANDO MARCE	CABLE, SPEED DRIVE CONTROL	CABLE, COMM. CHANGE-MENT VITESSE	KABEL, GÄNGESCHALTUN	
310	22785233/0	1	SUPPORTO	SUPPORT	SUPPORT	HALTER	
315	81007160/0	1	CAVO ACCELERATORE	THROTTLE CABLE	CABLE, ACCELERATEUR	GASHEBEL KABEL	
316	12735105/0	2	VITE	SCREW	VIS	SCHRAUBE	
317	22981467/0	1	PIASTRINA	PLATE	PLAQUETTE	PLATTE	
318	12791500/0	1	VITE	SCREW	VIS	SCHRAUBE	
319	12530060/0	1	ROSETTA	WASHER	RONDELLE	SCHEIBE	
320	12523040/0	1	ROSETTA	WASHER	RONDELLE	SCHEIBE	
321	381007225/1	1	LEVA, ACCELERATORE - NERA	LEVER, THROTTLE	LEVIER,	HEBEL, BESHLEUNIGER	
-	381007222/1	1	LEVA, ACCELERATORE - ROSSA	LEVER, THROTTLE	LEVIER,	HEBEL, BESHLEUNIGER	
322	12523040/0	1	ROSETTA	WASHER	RONDELLE	SCHEIBE	

POS.	CODE	Q.TY	DESCRIZIONE	DESCRIPTION	DESCRIPTION	BESCHREIBUNG	REMARKS
323	12154510/0	1	DADO	NUT	ECROU	MUTTER	
324	114362568/0	1	ETICHETTA	LABEL	ETIQUETTE	ETIKETTE	(B&S 700)
-	114361912/1	1	ETICHETTA	LABEL	ETIQUETTE	ETIKETTE	(B&S)
-	114361913/1	1	ETICHETTA	LABEL	ETIQUETTE	ETIKETTE	(HONDA)
-	114362229/1	1	ETICHETTA	LABEL	ETIQUETTE	ETIKETTE	(GGP 200 cc)
-	114362230/1	1	ETICHETTA	LABEL	ETIQUETTE	ETIKETTE	AVS (GGP 200cc)
325	22557160/0	1	TAPPO	CAP	BOUCHON	GUMMISTOPFEN	
326	381030015/0	1	CAVO COMANDO TRAZIONE	CABLE, REAR DRIVE	CÂBLE, COMMANDE TRACTION	KABEL, ANTRIEB	(BI. CI. DI.)
-	381030023/0	1	CAVO COMANDO TRAZIONE	CABLE, REAR DRIVE	CÂBLE, COMMANDE TRACTION	KABEL, ANTRIEB	(GENERAL TRANSMISSION)
327	381003328/0	1	LEVA TRAZIONE	LEVER, DRIVING	LEVIER TRACTION	HEBEL, ANTRIEB	

www.emc-motoculture.com

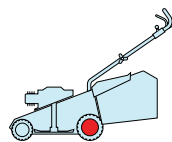
PAN 504

TR

TR/E

TR 4S

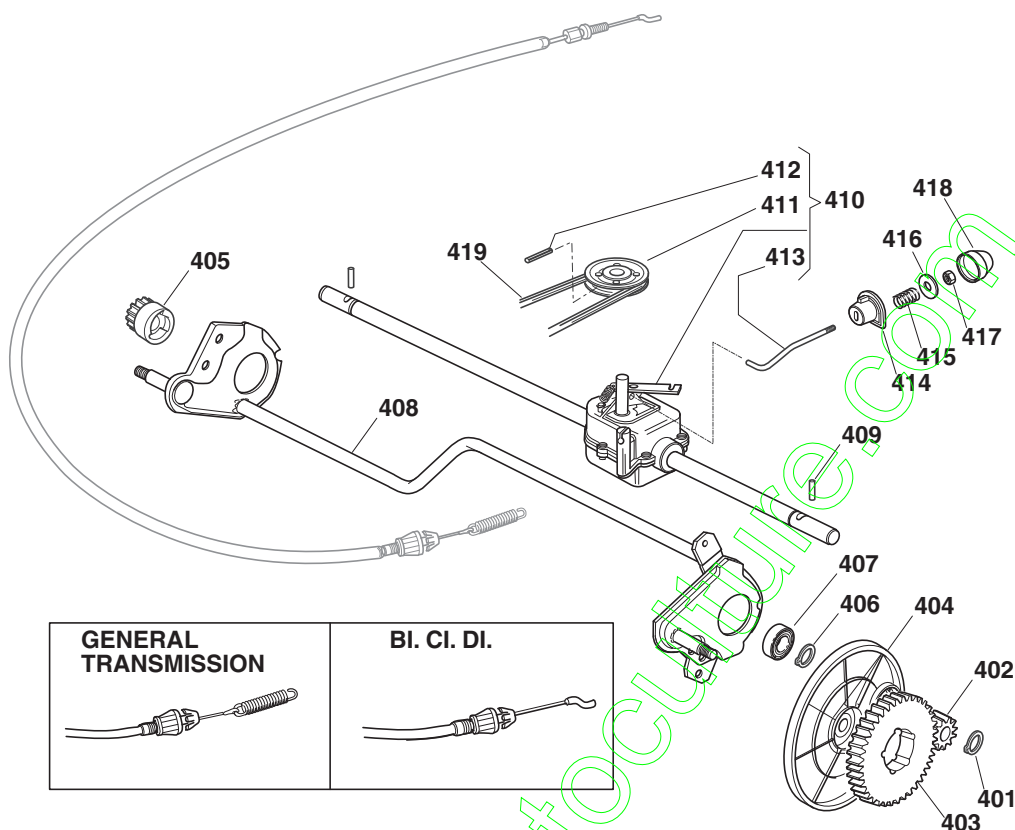
TR/E 4S



2008

823.0

1 / 3



POS.	CODE	Q.TY	DESCRIZIONE	DESCRIPTION	DESCRIPTION	BESCHREIBUNG	REMARKS
401	12608600/0	2	SEEGER	SEEGER	SEEGER	SEEGER	
402	22570120/1	1	PIGNONE SX	PINION L	PIGNON G	RITZEL LINKES	
403	22120105/1	2	CORONA	RING GEAR	COURONNE	KRANZ	
404	22600091/1	2	PROT. RUOTE	PROTECTION, WHEEL	PROTECTION ROUE	SCHÜTZ, RÄDER	
405	22570110/1	1	PIGNONE DX	PINION R	PIGNON D	RITZEL RECHTES	
406	12608600/0	2	SEEGER	SEEGER	SEEGER	SEEGER	
407	19216035/0	2	CUSCINETTO	BEARING	COUSSINET	LAGER	
408	81002811/0	1	ASSE RUOTE POSTE-RIORI	AXLE, REAR WHEELS	AXE ROUES ARRIERE	ACHSE, HINTERRAD	
409	22753000/0	2	SPINA	PIN	GOUPILLE	STIFT	
410	81003082/1	1	GRUPPO TRAZIONE (GRIGIO)	GEAR BOX (GREY)	GROUPE TRACTION (GRIS)	ANTRIEB (GRAU)	(BI. CI. DI.)
-	81003079/0	1	GRUPPO TRAZIONE	GEAR BOX	GROUPE TRACTION	ANTRIEB	(GENERAL TRANSMISSION)
411	22601909/0	1	PULEGGIA	PULLEY	POULIE	RIEMENSCHIEBE	
412	12645705/0	1	SPINA	PIN	GOUPILLE	STIFT	
413	22033281/0	1	ASTA REGOLAZIONE	ADJUSTMENT ROD	TIGE REGLAGE	VERSTELLUNGSTANGE	
414	22041957/1	1	BUSSOLA	BUSH	DOUILLE	BUCHSE	
415	22450063/0	1	MOLLA	SPRING	RESSORT	FEDER	
416	22680009/0	1	ROSETTA	WASHER	RONDELLE	SCHEIBE	
417	12154510/0	1	DADO	NUT	ECROU	MUTTER	
418	22110230/0	1	TAPPO	CAP	BOUCHON	GUMMISTOPFEN	
419	35064150/0	1	CINGHIA Z 32	BELT Z 32	COURROIE Z 32	RIEMEN Z 32	

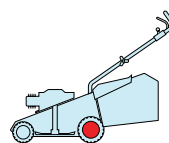
PAN 504

TR

TR/E

TR 4S

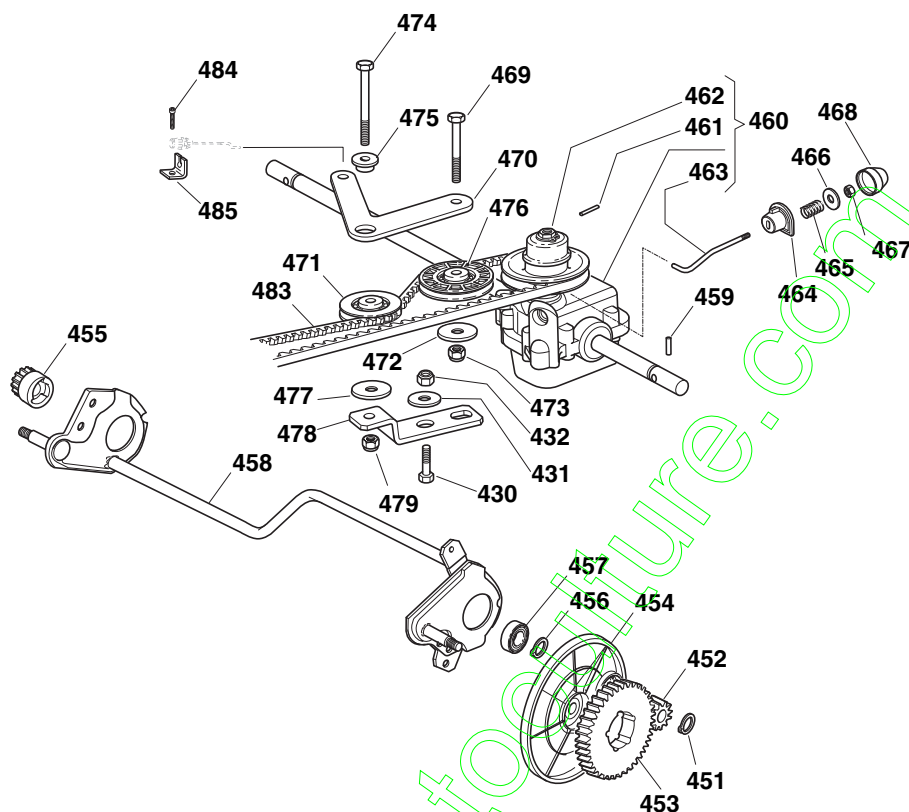
TR/E 4S



2008

823a.0

1 / 2



POS.	CODE	Q.TY	DESCRIZIONE	DESCRIPTION	DESCRIPTION	BESCHREIBUNG	REMARKS
451	12608600/0	2	SEEGER	SEEGER	SEEGER	SEEGER	
452	22570120/1	1	PIGNONE SX	PINION L	PIGNON G	RITZEL LINKES	
453	22120105/1	2	CORONA	RING GEAR	COURONNE	KRANZ	
454	22600091/1	2	PROT. RUOTE	PROTECTION, WHEEL	PROTECTION ROUE	SCHÜTZ, RÄDER	
455	22570110/1	1	PIGNONE DX	PINION R	PIGNON D	RITZEL RECHTES	
456	12608600/0	2	SEEGER	SEEGER	SEEGER	SEEGER	
457	19216035/0	2	CUSCINETTO	BEARING	COUSSINET	LAGER	
458	81002811/0	1	ASSE RUOTE POSTERIORI	AXLE, REAR WHEELS	AXE ROUES ARRIERE	ACHSE, HINTERRAD	
459	22753000/0	2	SPINA	PIN	GOUPILLE	STIFT	
460	181003097/1	1	GRUPPO TRAZIONE	GEAR BOX	GROUPE TRACTION	ANTRIEB	(GENERAL TRANSMISSION)
461	22601909/0	1	PULEGGIA	PULLEY	POULIE	RIEMENSCHIEBE	
462	12645705/0	1	SPINA	PIN	GOUPILLE	STIFT	
463	22033286/1	1	ASTA REGOLAZIONE	ADJUSTMENT ROD	TIGE REGLAGE	VERSTELLUNGSTANGE	
464	22041957/1	1	BUSSOLA	BUSH	DOUILLE	BUCHSE	
465	22450063/0	1	MOLLA	SPRING	RESSORT	FEDER	
466	22680009/0	1	ROSETTA	WASHER	RONDELLE	SCHEIBE	
467	12154510/0	1	DADO	NUT	ECROU	MUTTER	
468	22110230/0	1	TAPPO	CAP	BOUCHON	GUMMISTOPFEN	
469	12674701/0	1	VITE	SCREW	VIS	SCHRAUBE	
470	22320005/0	1	LEVA	LEVER	LEVIER	HEBEL	
471	22601915/0	1	PULEGGIA	PULLEY	POULIE	RIEMENSCHIEBE	
472	12523050/0	1	ROSETTA	WASHER	RONDELLE	SCHEIBE	

POS.	CODE	Q.Q.TY	DESCRIZIONE	DESCRIPTION	DESCRIPTION	BESCHREIBUNG	REMARKS
473	12154510/0	1	DADO	NUT	ECROU	MUTTER	
474	12689500/0	1	VITE	SCREW	VIS	SCHRAUBE	
475	22671656/0	1	RONDELLA	WASHER	RONDELLE	SCHEIBE	
476	22601914/0	1	PULEGGIA	PULLEY	POULIE	RIEMENSCHLEIBE	
477	12523050/0	1	ROSETTA	WASHER	RONDELLE	SCHEIBE	
478	22806627/0	1	SUPPORTO	SUPPORT	SUPPORT	HALTER	
479	12154510/0	1	DADO	NUT	ECROU	MUTTER	
480	12791011/0	1	VITE	SCREW	VIS	SCHRAUBE	
481	12523040/0	1	ROSETTA	WASHER	RONDELLE	SCHEIBE	
482	12154510/0	1	DADO	NUT	ECROU	MUTTER	
483	35064390/0	1	CINGHIA SPZX 900	BELT SPZX 900	COURROIE SPZX 900	RIEMEN SPZX 900	
484	12729601/1	1	VITE	SCREW	VIS	SCHRAUBE	
485	22806619/0	1	SUPPORTO	SUPPORT	SUPPORT	HALTER	

www.emc-motoculture.com

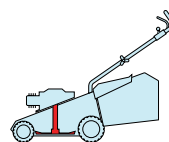
**PAN 504**

**TR**

**TR/E**

**TR 4S**

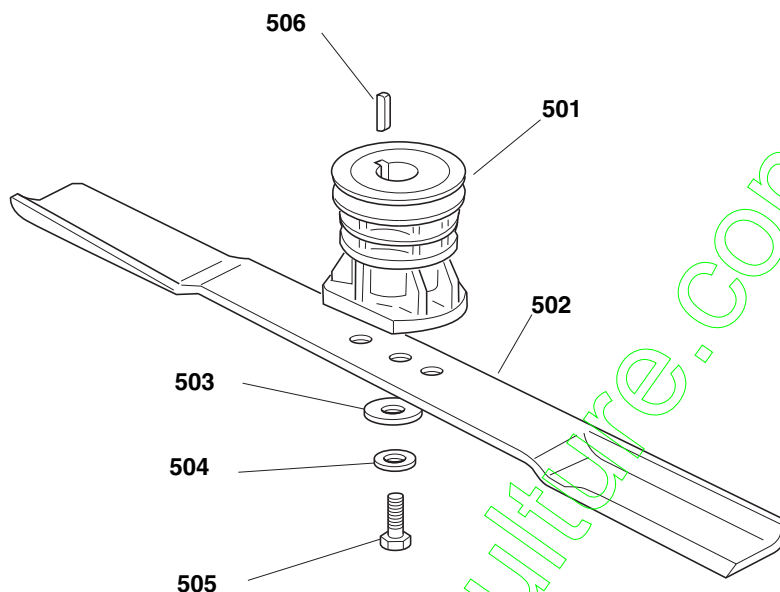
**TR/E 4S**



2008

**824.0**

1 / 1



POS.	CODE	Q.TY	DESCRIZIONE	DESCRIPTION	DESCRIPTION	BESCHREIBUNG	REMARKS
501	22465607/2	1	MOZZO CON PULEGGIA, ALBERO MOTORE Ø 22.2	HUB WITH PULLEY, CRANKSHAFT Ø 22.2	MOYEU AVEC POULIE, ARBRE MOTEUR Ø 22.2	NABE MIT SCHEIBE, MOTORWELLE Ø 22.2	
-	122465608/1	1	MOZZO CON PULEGGIA, ALBERO MOTORE Ø 25	HUB WITH PULLEY, CRANKSHAFT Ø 25	MOYEU AVEC POULIE, ARBRE MOTEUR Ø 25	NABE MIT SCHEIBE, MOTORWELLE Ø 25	
502	81004366/2	1	COLTELLO STANDARD	BLADE STANDARD	LAME STANDARD	MESSER STANDARD	
503	22160400/0	1	DISCO ELASTICO	ELASTIC WASHER	RONDELLE ELASTIQUE	ELASTISCHE SCHEIBE	
504	12523080/0	1	ROSETTA	WASHER	RONDELLE	SCHEIBE	
505	12735698/0	1	VITE	SCREW	VIS	SCHRAUBE	
506	12139100/0	1	LINGUETTA, ALBERO MOTORE Ø 22.2	FEATHER, CRANKSHAFT Ø 22.2	CLAVETTE, ARBRE MOTEUR Ø 22.2	KEIL, MOTORWELLE Ø 22.2	
-	12139150/0	1	LINGUETTA, ALBERO MOTORE Ø 25	FEATHER, CRANKSHAFT Ø 25	CLAVETTE, ARBRE MOTEUR Ø 25	KEIL, MOTORWELLE Ø 25	

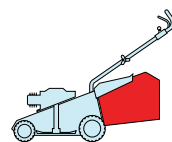
PAN 504

TR

TR/E

TR 4S

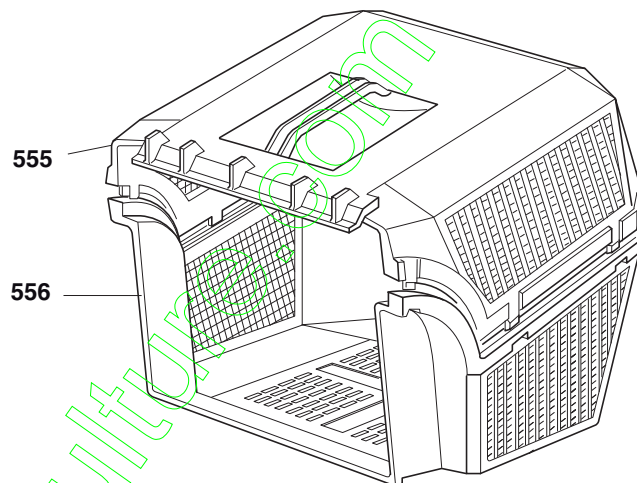
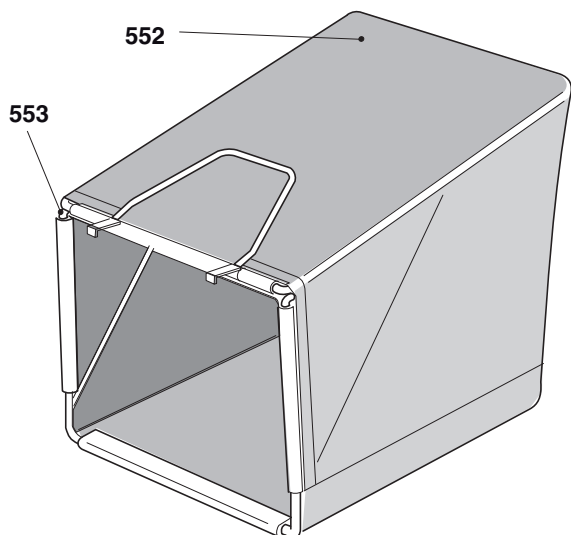
TR/E 4S



2008

825.0

1 / 1



POS.	CODE	Q.TY	DESCRIZIONE	DESCRIPTION	DESCRIPTION	BESCHREIBUNG	REMARKS
552	81002124/1	1	SACCO, TELA	BOX, FABRIC	SAC, TOILE	SACK, TUCK	
553	81006430/0	1	TELAIO SACCO	CHASSIS BOX	CHÂSSIS BAC	RAHMEN SACK	
555	22486065/0	1	SACCO, PARTE SUP	GRASS-BOX, UPPER	SAC, PARTIE SUPERIEU- RE	KORB, OBERTEIL	
556	22486064/0	1	SACCO, PARTE INF	GRASS-BOX, LOWER	SAC, PARTIE INFERIEURE	KORB, UNTERTEIL	

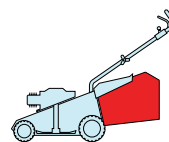
PAN 504

TR

TR/E

TR 4S

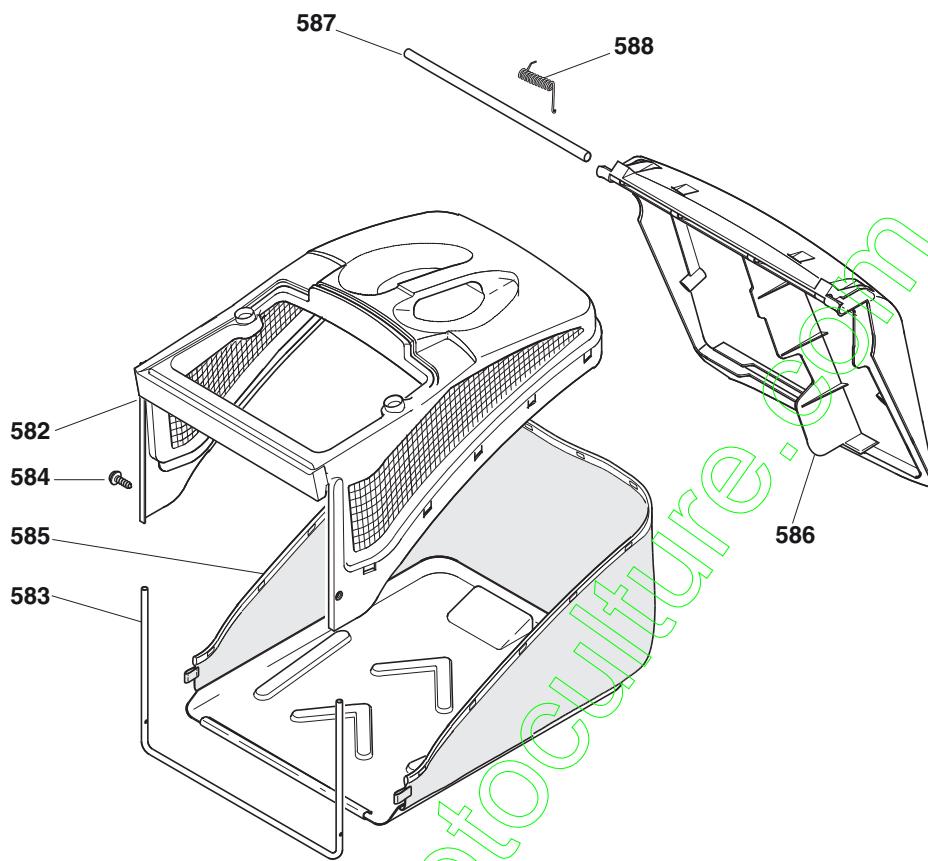
TR/E 4S



2008

825a.0

1 / 1



POS.	CODE	Q.TY	DESCRIZIONE	DESCRIPTION	DESCRIPTION	BESCHREIBUNG	REMARKS
582	22486094/0	1	SACCO, PARTE SUP	GRASS-BOX, UPPER	SAC, PARTIE	KORB, OBERTEIL	
583	22608524/0	1	RINFORZO INF	STIFFENING LOWER	RÉNFORCEMENT INF	VERSTÄRKUNG	
584	12728445/0	2	VITE	SCREW	VIS	SCHRAUBE	
585	81002196/0	1	SACCO, TELA	BOX, FABRIC	SAC, TOILE	SACK, TUCK	
586	22600066/2	1	PARASASSI	STONE-GUARD	PARE-PIERRES	PRALLBLECH	
587	22517857/0	1	PERNO	PIN	PIVOT	BOLZEN	
588	22451000/0	1	MOLLA	SPRING	RESSORT	FEDER	



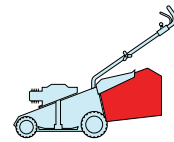
PAN 504

TR

TR/E

TR 4S

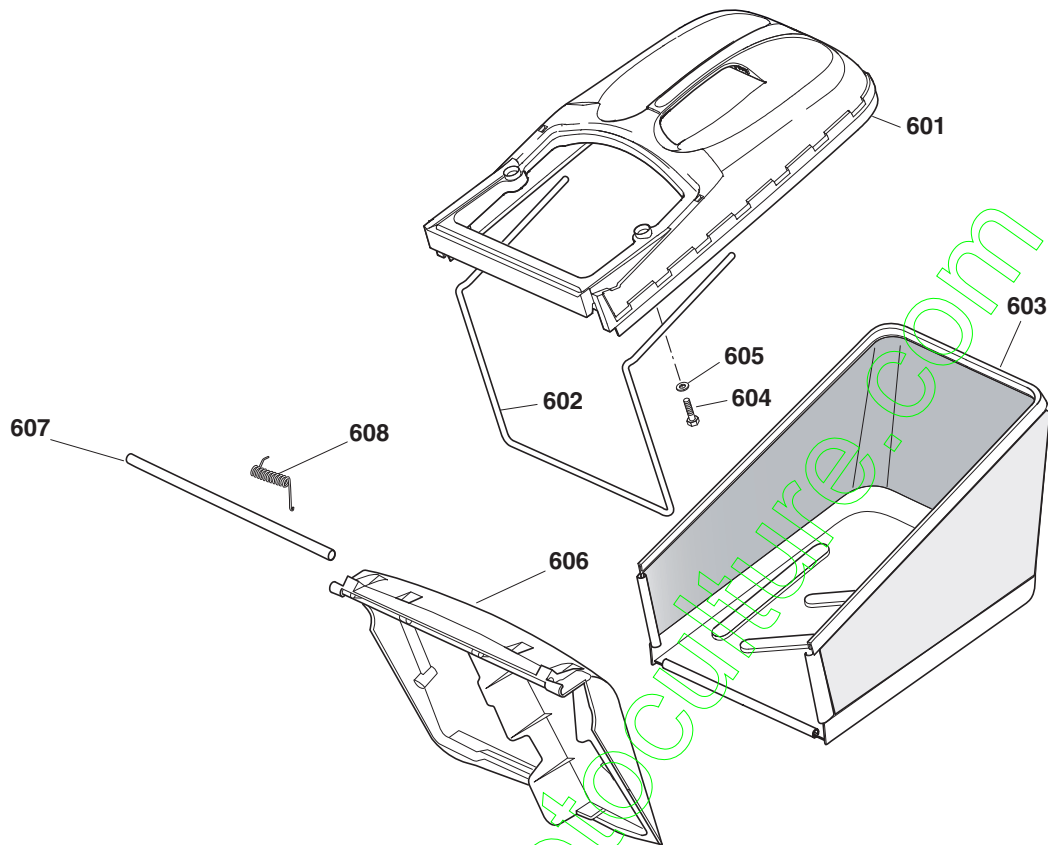
TR/E 4S



2008

825b.0

1 / 1



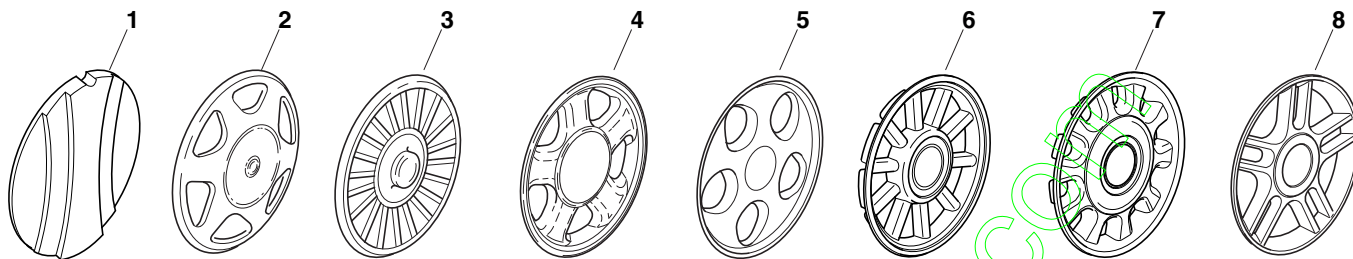
POS.	CODE	Q.TY	DESCRIZIONE	DESCRIPTION	DESCRIPTION	BESCHREIBUNG	REMARKS
601	22486102/0	1	SACCO, PARTE SUP	GRASS-BOX, UPPER	SAC, PARTIE	KORB, OBERTEIL	
602	22608526/0	1	RINFORZO INF	STIFFENING LOWER	RÉNFORCEMENT INF	VERSTÄRKUNG	
603	81002212/0	1	SACCO, TELA	BOX, FABRIC	SAC, TOILE	SACK, TUCK	
604	12728680/0	2	VITE	SCREW	VIS	SCHRAUBE	
605	12523050/0	2	ROSETTA	WASHER	RONDELLE	SCHEIBE	
606	22600066/2	1	PARASASSI	STONE-GUARD	PARE-PIERRES	PRALLBLECH	
607	22517857/0	1	PERNO	PIN	PIVOT	BOLZEN	
608	22451000/0	1	MOLLA	SPRING	RESSORT	FEDER	

**ENCLOSURE 1**

2008

**001.0**

1 / 1



POS.	CODE	Q.TY	DESCRIZIONE	DESCRIPTION	DESCRIPTION	BESCHREIBUNG	REMARKS
1	22110252/1		COPRIMOZZO BIANCO	HUB CAP WHITE	COUVRE-MOYEU	RADKAPPE WEISSE	
-	22110254/1		COPRIMOZZO GIALLO	HUB CAP YELLOW	COUVRE-MOYEU	RADKAPPE GELBE	
-	22110255/1		COPRIMOZZO ROSSO	HUB CAP RED	COUVRE-MOYEU	RADKAPPE ROTE	
2	22110344/0		COPRIMOZZO BIANCO	HUB CAP WHITE	COUVRE-MOYEU	RADKAPPE WEIÖE	
-	22110395/0		COPRIMOZZO GRIGIO	HUB CAP GREY	COUVRE-MOYEU GRIS	RADKAPPE GRAU	
3	22110347/0		COPRIMOZZO GRIGIO	HUB CAP GREY	COUVRE-MOYEU GRIS	RADKAPPE GRAU	
4	22110381/0		COPRIMOZZO GRIGIO	HUB CAP GREY	COUVRE-MOYEU GRIS	RADKAPPE GRAU	
5	22110416/0		COPRIMOZZO GRIGIO	HUB CAP GREY	COUVRE-MOYEU GRIS	RADKAPPE GRAU	
6	22110495/0		COPRIMOZZO GRIGIO	HUB CAP GREY	COUVRE-MOYEU GRIS	RADKAPPE GRAU	
7	22110493/0		COPRIMOZZO GRIGIO	HUB CAP GREY	COUVRE-MOYEU GRIS	RADKAPPE GRAU	
8	22110491/0		COPRIMOZZO GRIGIO	HUB CAP GREY	COUVRE-MOYEU GRIS	RADKAPPE GRAU	

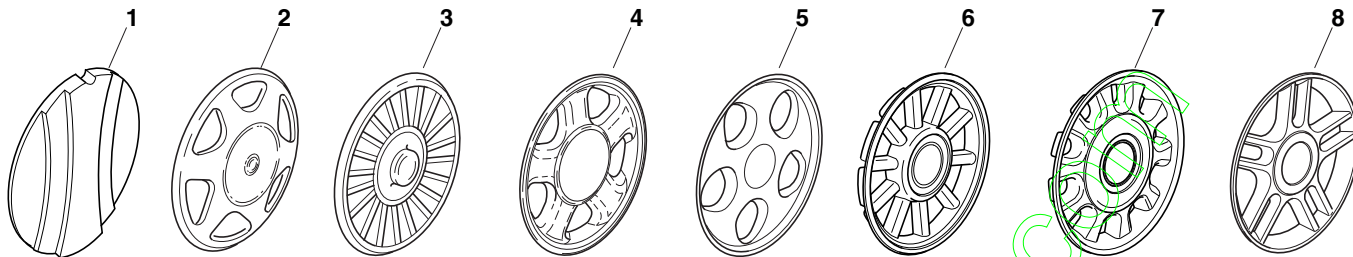
www.emcmotoculture.com

**ENCLOSURE 2**

2008

**002.0**

1 / 1



POS.	CODE	Q.TY	DESCRIZIONE	DESCRIPTION	DESCRIPTION	BESCHREIBUNG	REMARKS
1	22110251/0		COPRIMOZZO BIANCO	HUB CAP WHITE	COUVRE-MOYEU	RADKAPPE WEISSE	
-	22110253/0		COPRIMOZZO GIALLO	HUB CAP YELLOW	COUVRE-MOYEU	RADKAPPE GELBE	
-	22110256/0		COPRIMOZZO ROSSO	HUB CAP RED	COUVRE-MOYEU	RADKAPPE ROTE	
2	22110313/0		COPRIMOZZO BIANCO	HUB CAP WHITE	COUVRE-MOYEU	RADKAPPE WEIÙE	
-	22110314/0		COPRIMOZZO GRIGIO	HUB CAP GREY	COUVRE-MOYEU GRIS	RADKAPPE GRAU	
3	22110348/0		COPRIMOZZO GRIGIO	HUB CAP GREY	COUVRE-MOYEU GRIS	RADKAPPE GRAU	
4	22110382/0		COPRIMOZZO GRIGIO	HUB CAP GREY	COUVRE-MOYEU GRIS	RADKAPPE GRAU	
5	22110417/0		COPRIMOZZO GRIGIO	HUB CAP GREY	COUVRE-MOYEU GRIS	RADKAPPE GRAU	
6	22110496/0		COPRIMOZZO GRIGIO	HUB CAP GREY	COUVRE-MOYEU GRIS	RADKAPPE GRAU	
7	22110494/0		COPRIMOZZO GRIGIO	HUB CAP GREY	COUVRE-MOYEU GRIS	RADKAPPE GRAU	
8	22110492/0		COPRIMOZZO GRIGIO	HUB CAP GREY	COUVRE-MOYEU GRIS	RADKAPPE GRAU	