

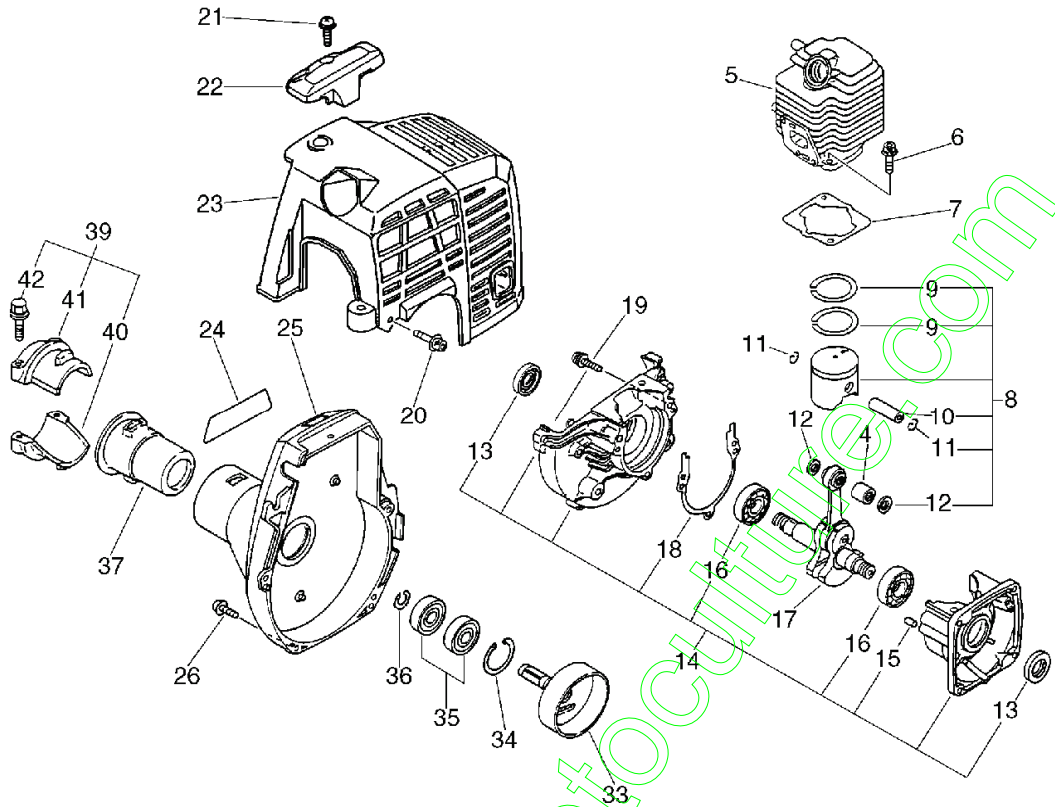


PARTS CATALOG

PAS ATTACHMENT
PAS-2400(6digits)(35)(36)

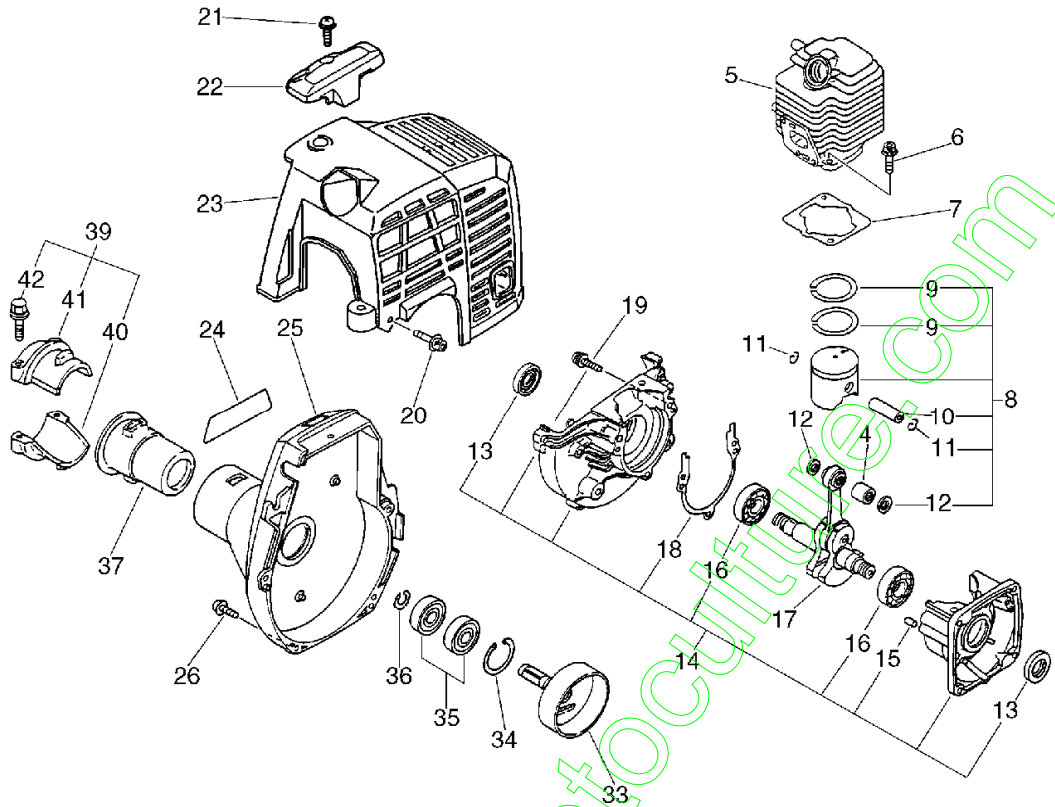
contact@encnoculture.com

1. Cylinder, Crankcase, Piston, Fan Cover



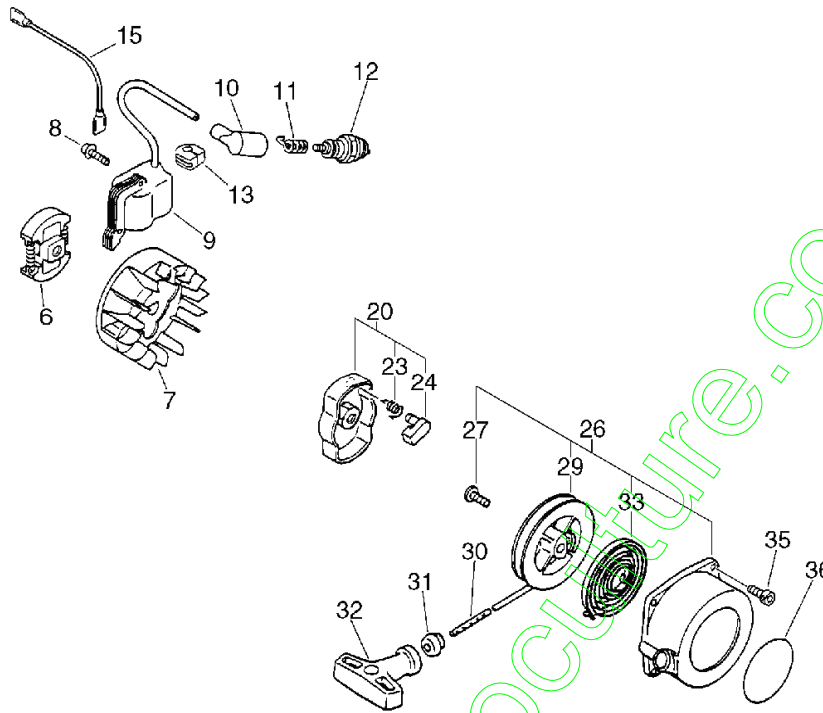
KEY	LV	PART NUMBER	Q'TY	DESCRIPTION	REMARKS	NOTE1	NOTE2
5		101011-08961	1	CYLINDER (CR)			
6		900162-05022	2	BOLT, H.S. 5*22	5*22 W,SW		
7		101010-44332	1	GASKET, CYL. BASE			
8		100000-09563	1	PISTON KIT			
9	+	100011-09560	2	RING, PISTON			
10	+	100013-11520	1	PIN, PISTON			
11	+	100015-04630	2	CIRCLIP, PISTON PIN			
12	+	100014-11520	2	SPACER, PISTON PIN			
14		100204-52130	1	CRANKCASE KIT		Sus. by 100204-52132	
14		100204-52131	1	CRANKCASE KIT		Sus. by 100204-52132	
14		100204-52132	1	CRANKCASE KIT			
13	+	100212-42030	2	OILSEAL	ISCD12*22*4.5	Sus. by 100212-42031	
13	+	100212-42031	2	OILSEAL	ISCD 12*22*4.5		
15	+	100215-03930	2	PIN, DOWEL			
16	+	900810-36201	2	BEARING, BALL 6201	6201/C3	Sus. by 94035-36201	
16	+	94035-36201	2	BEARING BALL	6201X3JR2C3		
18	+	100242-42030	1	GASKET, CRANKCASE			
19	+	900162-05028	3	BOLT, H.S. 5*28	5*28 W,SW		
17		100100-44732	1	CRANKSHAFT ASSY		Sus. by A011-000101	

1. Cylinder, Crankcase, Piston, Fan Cover



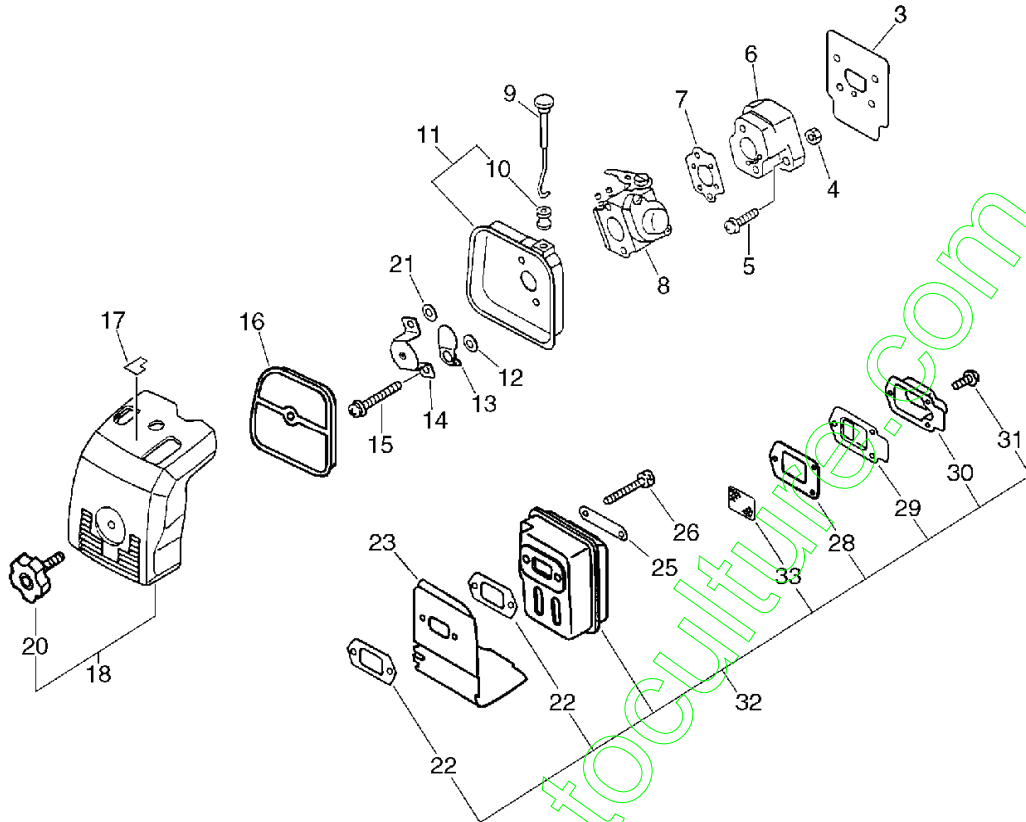
KEY	LV	PART NUMBER	Q'TY	DESCRIPTION	REMARKS	NOTE1	NOTE2
17		A011-000100	1	CRANKSHAFT,ASM		Sus. by A011-000101	
17		A011-000101	1	CRANKSHAFT,ASM			
4	+	100012-51230	1	BEARING, NEEDLE	8*12*10	Sus. by V553-000010	
4	+	V553-000010	1	BEARING,NEEDLE 8	HK0810		
20		900163-04016	2	BOLT HSH			
21		900238-05016	1	SCREW 5*16	5*16		
22		159912-54130	1	GUARD, TOP			
23		101514-48930	1	COVER, CYLINDER			
24		890112-66230	1	LABEL, MODEL			
25		101503-52131	1	COVER ASSY, FAN			
26		900163-04016	4	BOLT HSH			
33		175005-48931	1	DRUM, CLUTCH			
34		900702-00028	1	CIRCLIP 28	CR-28		
35		900807-96001	2	BEARING, BALL 6001	6001		
36		900701-00012	1	CIRCLIP 12	CS-12		
37		610910-55230	1	CUSHION			
39		610903-55230	1	HOLDER KIT			
40	+	610923-55230	1	HOLDER			
41	+	610922-27432	1	HOLDER			
42	+	900142-05025	2	BOLT 5*25 (W/W,SW)	5*25		

2. Starter, Magneto, Clutch



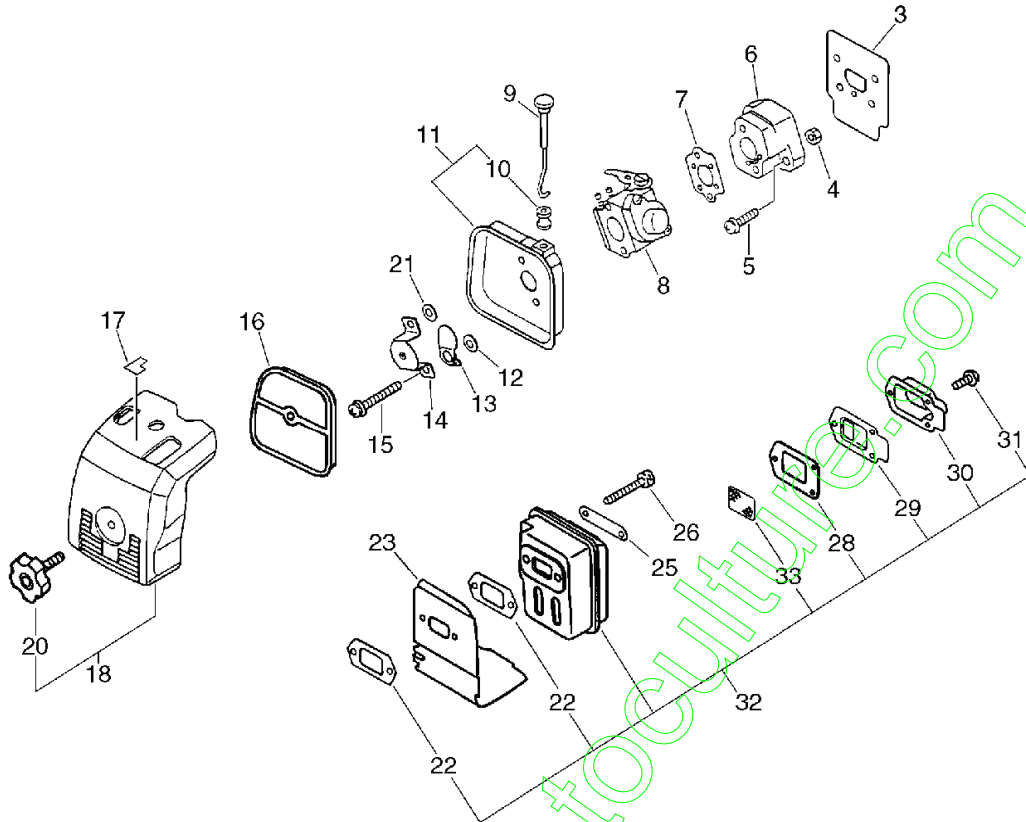
KEY	LV	PART NUMBER	Q'TY	DESCRIPTION	REMARKS	NOTE1	NOTE2
6		175000-56830	1	CLUTCH ASSY		Sus. by 175000-56831	
7		156801-44731	1	FLYWHEEL			
8		900162-04022	2	BOLT, H.S. 4*22	4*22 W,SW		
9		156626-52630	1	COIL, IGNITION			
10		159012-03433	1	CAP, SPARK PLUG			
11		159011-03432	1	COIL, SPARK PLUG			
12		159010-10230	1	PLUG, SPARK (BPMR-7A)	BPMR-7A		
13		156112-40630	1	GROMMET			
15		162010-52830	1	LEAD, GROUND			
20		177202-44330	1	PAWL ASSY, STARTER		Sus. by 177202-44331	
20		177202-44331	1	PAWL ASM., STARTER			
23	+	177234-42030	1	SPRING, RETURN			
24	+	177218-44330	1	PAWL, STARTER	BLACK		
26		177200-42033	1	STARTER ASSY			
27	+	177236-44330	1	SCREW			
29	+	177215-44430	1	DRUM, STARTER			
30	+	177226-10120	1	ROPE, STARTER	3.0*1000		
31	+	177227-42030	1	GUIDE, ROPE			
32	+	177228-06530	1	GRIP, STARTER			
33	+	177220-42030	1	SPRING, REWIND			
35		900163-04016	2	BOLT HSH			
36		890118-49130	1	LABEL, ECHO		Sus. By X502-000330	

3. Air Cleaner, Muffler



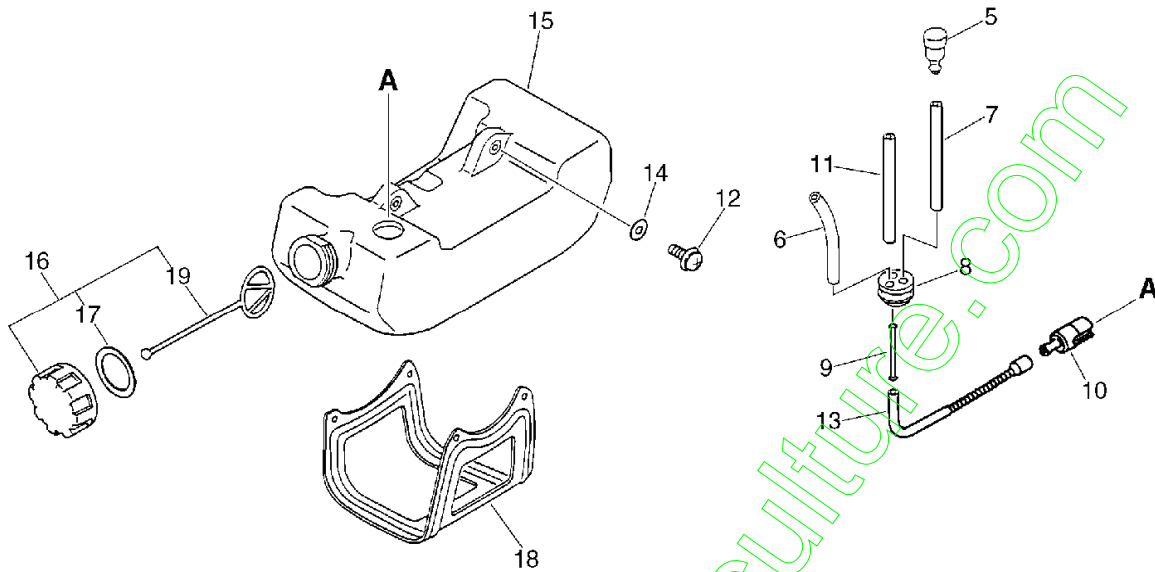
KEY	LV	PART NUMBER	Q'TY	DESCRIPTION	REMARKS	NOTE1	NOTE2
3		130010-42032	1	GASKET, INTAKE			
4		900500-00005	2	NUT 5	5		
5		900238-05020	2	SCREW 5*20	5*20		
6		130017-42031	1	INSULATOR, INTAKE			
7		130010-05960	1	GASKET, INTAKE			
8		123000-52133	1	CARBURETOR WT-424C	WT-424C		
9		178510-51730	1	ROD, CHOKE			
11		130301-51730	1	CASE, AIR CLEANER			
10	+	178810-05230	1	GROMMET			
12		178516-00830	1	SPACER	5.2*8*0.8T		
13		178515-05060	1	SHUTTER, CHOKE			
14		129011-52130	1	PLATE		Sus. by 129011-52131	
14		129011-52131	1	PLATE			
15		900242-05057	2	SCREW 5*57	5*57		
16		130310-51830	1	FILTER, AIR			
17		890121-47530	1	LABEL, CHOKE			
18		130302-52130	1	COVER ASSY, AIR CLN.		Sus. by 130302-52131	
18		130302-52131	1	COVER ASY, A.CLEANER			
20	+	130406-52130	1	KNOB, FASTENER		Sus. by 130406-52131	
20	+	130406-52131	1	KNOB, FASTENER			
21		900600-00005	1	WASHER 5	5		
23		145631-42030	1	COVER, MUFFLER		Sus. by A320-000251	

3. Air Cleaner, Muffler



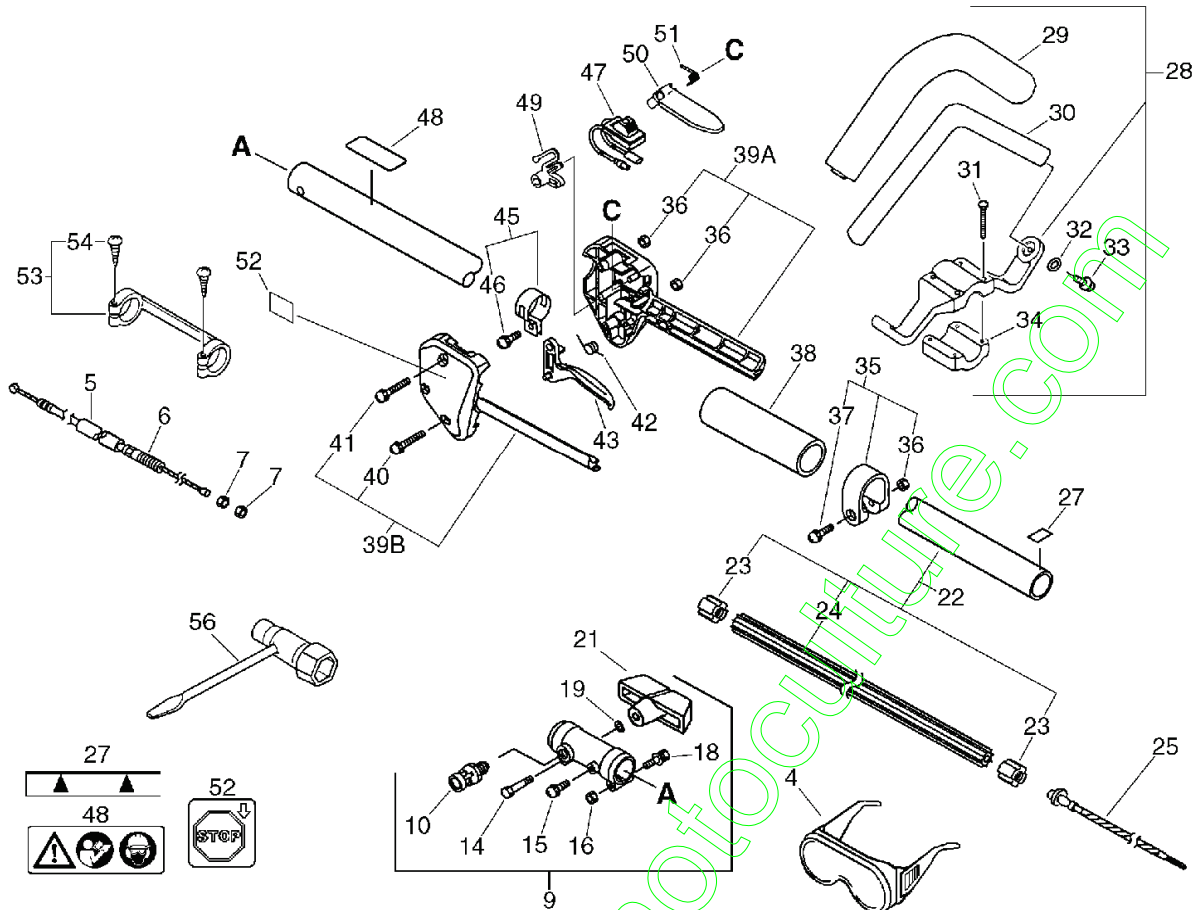
KEY	LV	PART NUMBER	Q'TY	DESCRIPTION	REMARKS	NOTE1	NOTE2
23		A320-000250	1	COVER,MUFFLER		Sus. by A320-000251	
23		A320-000251	1	COVER,MUFFLER			
25		145642-04930	1	WASHER			
26		900105-05055	2	BOLT, H.S. 5*55	5*55		
32		145802-21560	1	MUFFLER ASSY		Sr/Nr 005095 and before	
32		P021-008940	1	MUFFLER ASY		Sr/Nr 36001001 and after	
22	+	145510-42031	2	GASKET, MUFFLER		Sus. by V104-000160	
22	+	145510-42032	2	GASKET, MUFFLER		Sus. by V104-000160	
22	+	V104-000160	2	GASKET,EXHAUST			
28	+	145866-42031	1	GASKET, MUFFLER LID			
29	+	145876-42030	1	LID, MUFFLER (B)			
30	+	145818-52130	1	GUIDE, EXHAUST			
31	+	900242-04010	3	SCREW 4*10	4*10		
33	+	145862-40630	3	SCREEN, MUFFLER		Sr/Nr 36001001 and after	

4. Fuel Tank



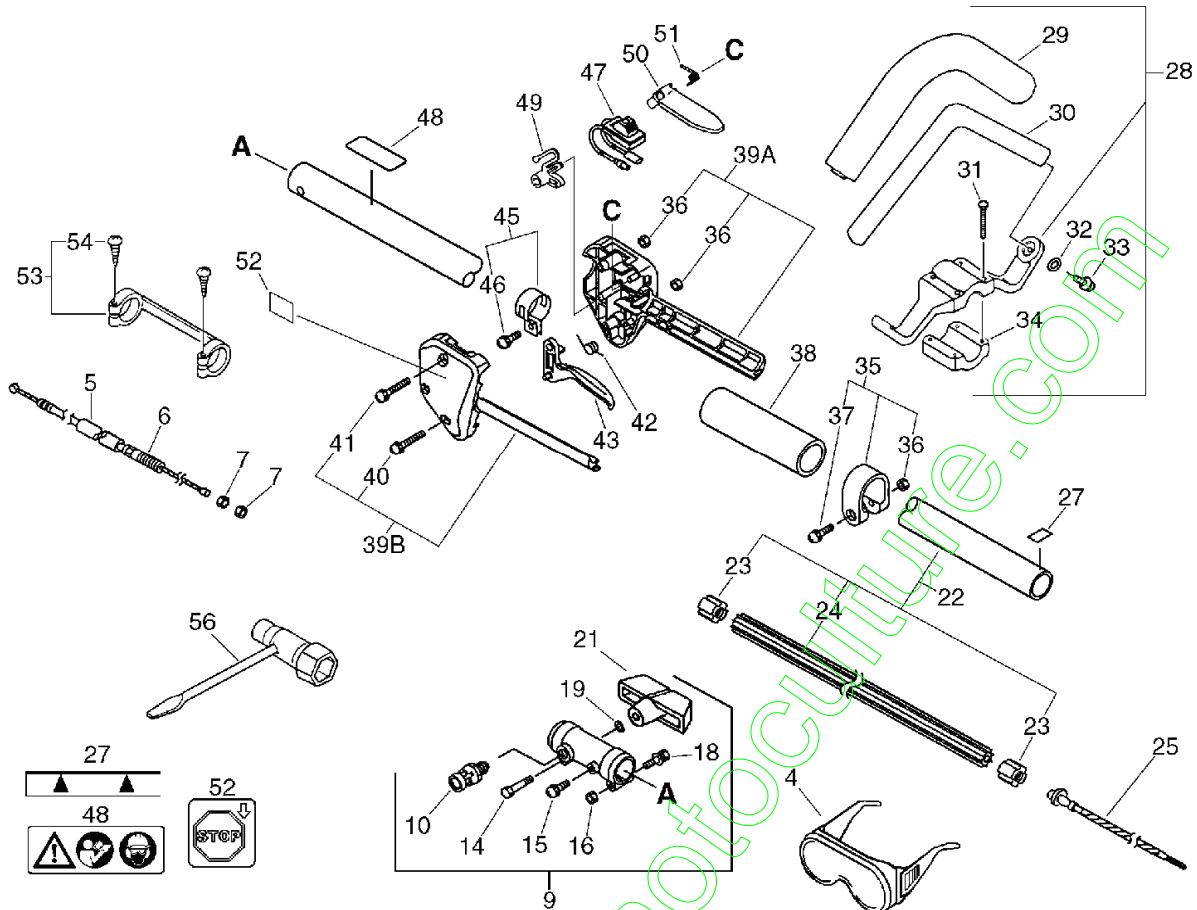
KEY	LV	PART NUMBER	Q'TY	DESCRIPTION	REMARKS	NOTE1	NOTE2
5		131300-56430	1	VALVE,CHECK		Sus. By A356-000030	
5		A356-000030	1	VALVE,CHECK			
6		132010-56330	1	PIPE 3*6*90	3*6*90 YL		
7		131312-39130	1	PIPE	3*5*70(+3)NBR	Sus. By V471-001200	
7		V471-001200	1	PIPE	3*5*70 NBR		
8		132115-46730	1	GROMMET, FUEL		Sus. By V137-000030	
8		V137-000030	1	GROMMET, FUEL			
9		132011-03360	1	CONNECTOR, FUEL PIPE			
10		131205-07320	1	STRAINER, FUEL			
11		131312-39130	1	PIPE	3*5*70(+3)NBR	Sus. By V471-001200	
11		V471-001200	1	PIPE	3*5*70 NBR		
12		900238-05016	2	SCREW 5*16	5*16		
13		132012-12360	1	PIPE, FUEL			
14		900603-00005	2	WASHER 5	5.5*12*0.8		
15		131005-46830	1	TANK, FUEL		Sus. by 131005-46831	
15		131005-46831	1	TANK, FUEL			
16		131004-08960	1	CAP ASSY, FUEL			
17	+	131016-55830	1	GASKET, FUEL CAP			
19	+	131051-52430	1	CONNECTOR, CAP	80L		
18		305110-42030	1	STAND (BL)			

5. Handle, Tool(Sr/Nr 36012047 and before)



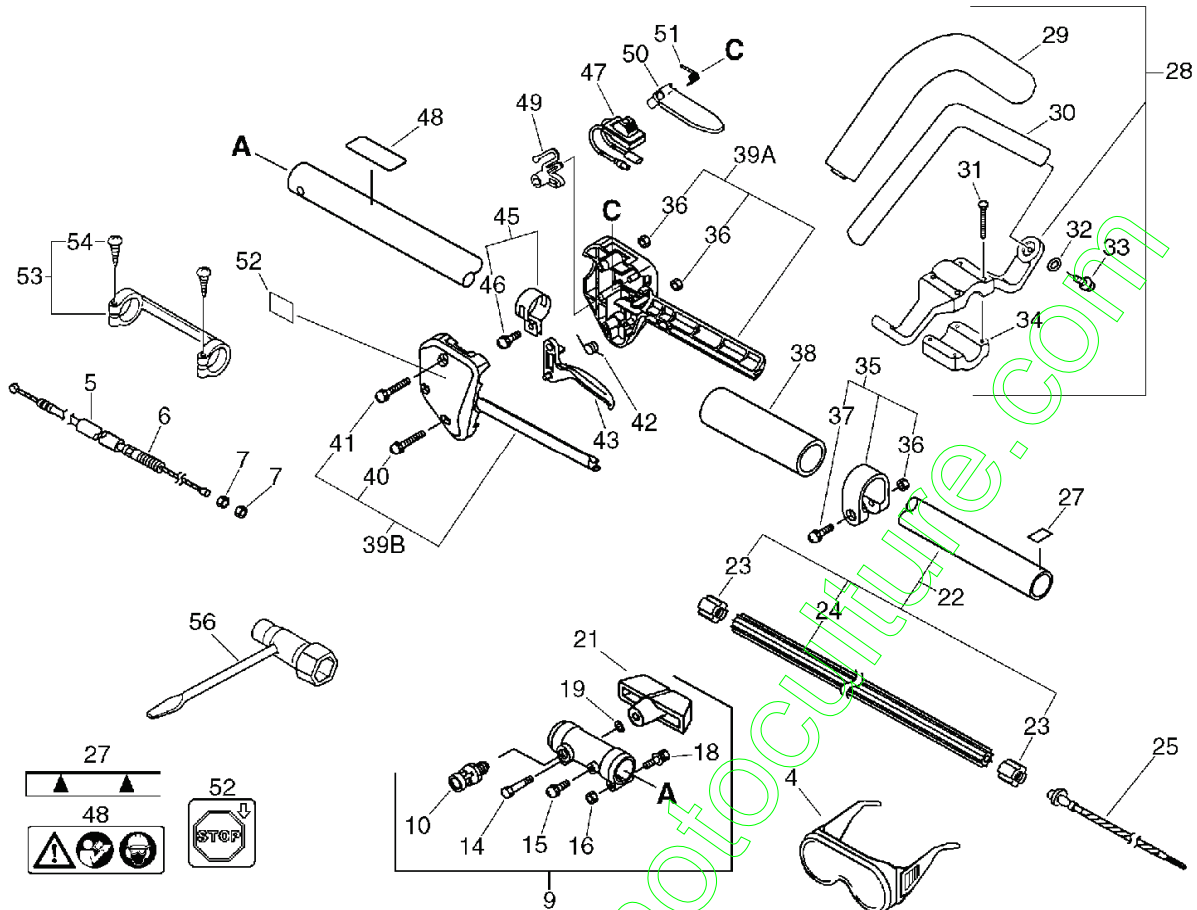
KEY	LV	PART NUMBER	Q'TY	DESCRIPTION	REMARKS	NOTE1	NOTE2
4		899580-68730	1	SAFETY GLASSES		Sus. by P021-002861	
4		X690-000030	1	GOGGLE		Sus. by P021-002861	
4		P021-002861	1	GOGGLES		Sus. by X690-000050	
5		178127-50330	1	TUBE	10*11*140		
6		178001-56730	1	CABLE, THROTTLE			
7		900502-00006	2	NUT 6 (3N)	3N6		
9		610601-56731	1	BRACKET ASSEMBLY		Sus. by 610601-56732	
9		610601-56732	1	BRACKET ASSEMBLY		Sr/Nr 003139 and before	
9		P021-006510	1	BRACKET ASY		Sr/Nr 003140 and after	
10	+	178302-56630	1	LATCH ASSY			
14	+	900100-05035	1	BOLT 5*35	5*35	Sus. by 900162-05040	
14	+	900162-05040	1	BOLT, H.S. 5*40	5*40 W,SW	Sr/Nr 003139 and before	
14	+	91085-06040	1	BOLT	6*40	Sr/Nr 003140 and after	
15	+	900242-05012	1	SCREW 5*12	5*12	Sr/Nr 003139 and before	
15	+	900105-06010	1	BOLT, H.S. 6*10	6*10	Sr/Nr 003140 and after	

5. Handle, Tool(Sr/Nr 36012047 and before)



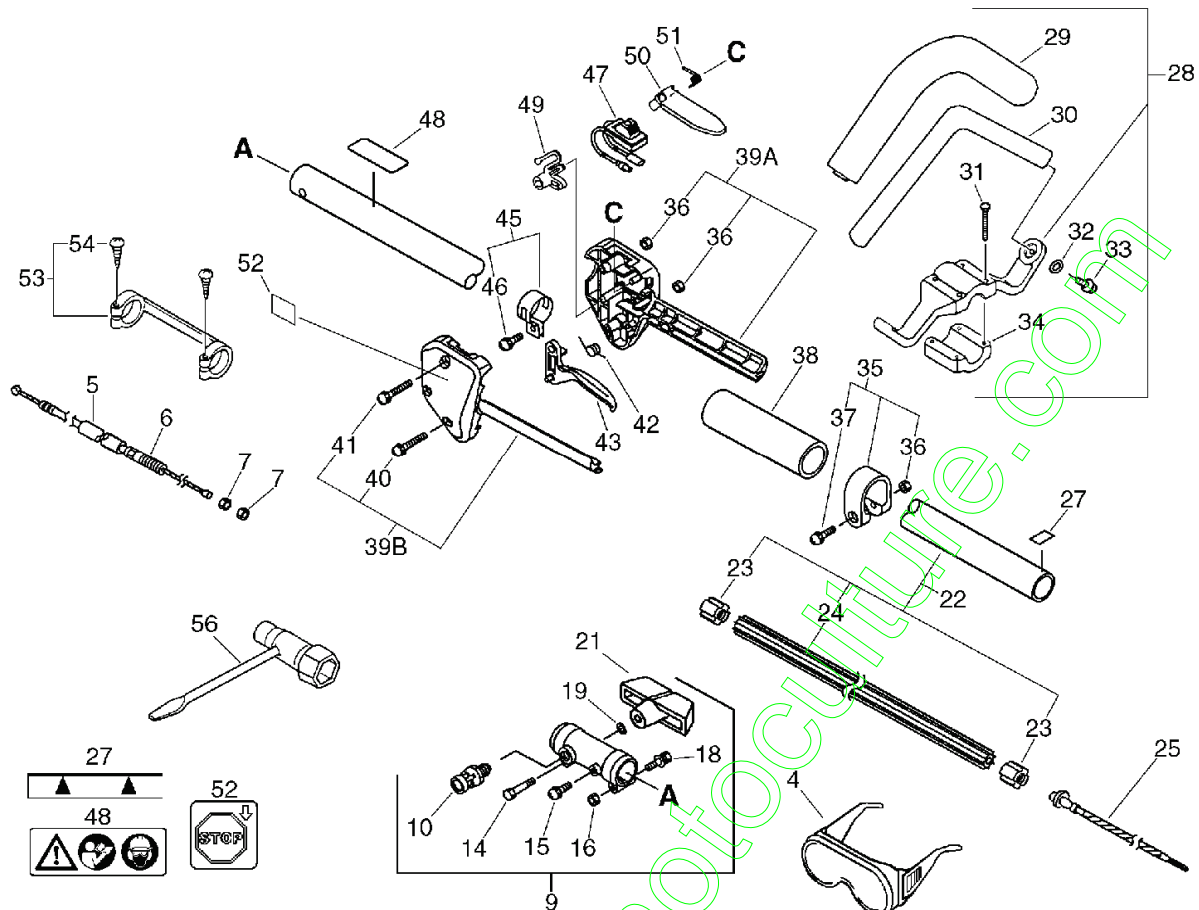
KEY	LV	PART NUMBER	Q'TY	DESCRIPTION	REMARKS	NOTE1	NOTE2
16	+	900500-00005	1	NUT 5	5	Sr/Nr 003139 and before	
16	+	900514-00006	1	NUT 6	6	Sr/Nr 003140 and after	
18	+	900142-05030	1	BOLT 5*30 (W/W,SW)	5*30	Sr/Nr 003139 and before	
18	+	900105-06025	1	BOLT, H.S. 6*25	6*25	Sr/Nr 003140 and after	
19	+	900600-00005	1	WASHER 5	5	Sr/Nr 003139 and before	
19	+	V304-000040	1	WASHER,CIRCULAR 6	6.6*20*1.6	Sr/Nr 003140 and after	
20	+	900605-00005	1	WASHER, SPRING 5	5	Sr/Nr 003139 and before	
21	+	352325-27630	1	KNOB		Sus. by V299-000100	
21	+	V299-000100	1	KNOB,FASTENER		Sr/Nr 003139 and before	
21	+	V299-000160	1	KNOB,FASTENER	M6*1.0 INSERT	Sr/Nr 003140 and after	
22		610206-56730	1	HOUSING ASSY, D.SHFT			
23	+	610246-44730	2	STOPPER			
24	+	610217-56730	1	LINER, FLEXIBLE			
25		610013-55630	1	SHAFT, FLEXIBLE		Sr/Nr 003139 and before	

5. Handle, Tool(Sr/Nr 36012047 and before)



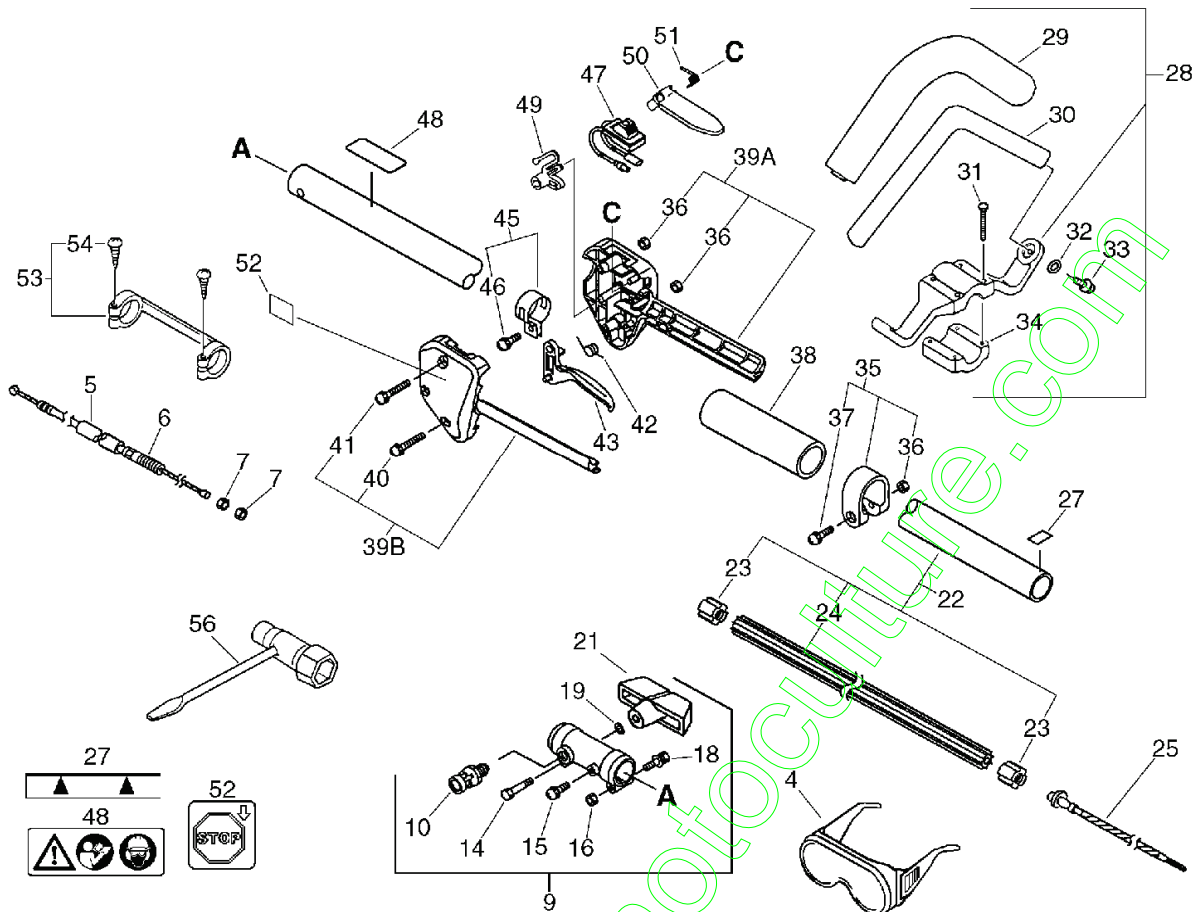
KEY	LV	PART NUMBER	Q'TY	DESCRIPTION	REMARKS	NOTE1	NOTE2
25		C506-000041	1	SHAFT,FLEXIBLE		Sus. by C506-000042	
26		100251-56630	1	CUSHION		Sr/Nr 003139 and before	
27		890152-04930	1	LABEL, CAUTION			
28		P021-000020	1	FRONT HANDLE ASY		Sus. by P021-000021	
28		P021-000021	1	FRONT HANDLE ASY		Sr/Nr 36012047 and before	Sus. by P021-012390
29	+	351216-66230	1	GRIP, HANDLE			
30	+	351205-66230	1	HANDLE, FRONT			
31	+	900242-05035	4	SCREW 5*35	5*35		
32	+	900600-00005	2	WASHER 5	5		
33	+	889950-21060	2	SCREW 5		Sus. by 900253-05020	
33	+	900253-05020	2	SCREW 5*20	5*20		
34	+	351225-07130	1	BRACKET, HANDLE (25)	25	Sus. by C423-000300	
44	+	900500-00005	4	NUT 5	5	Sr/Nr 36012047 and before	Disuse
35		610272-52130	1	BAND			
36	+	900500-00005	1	NUT 5	5		
37	+	900242-05028	1	SCREW 5*28	5*28		

5. Handle, Tool(Sr/Nr 36012047 and before)



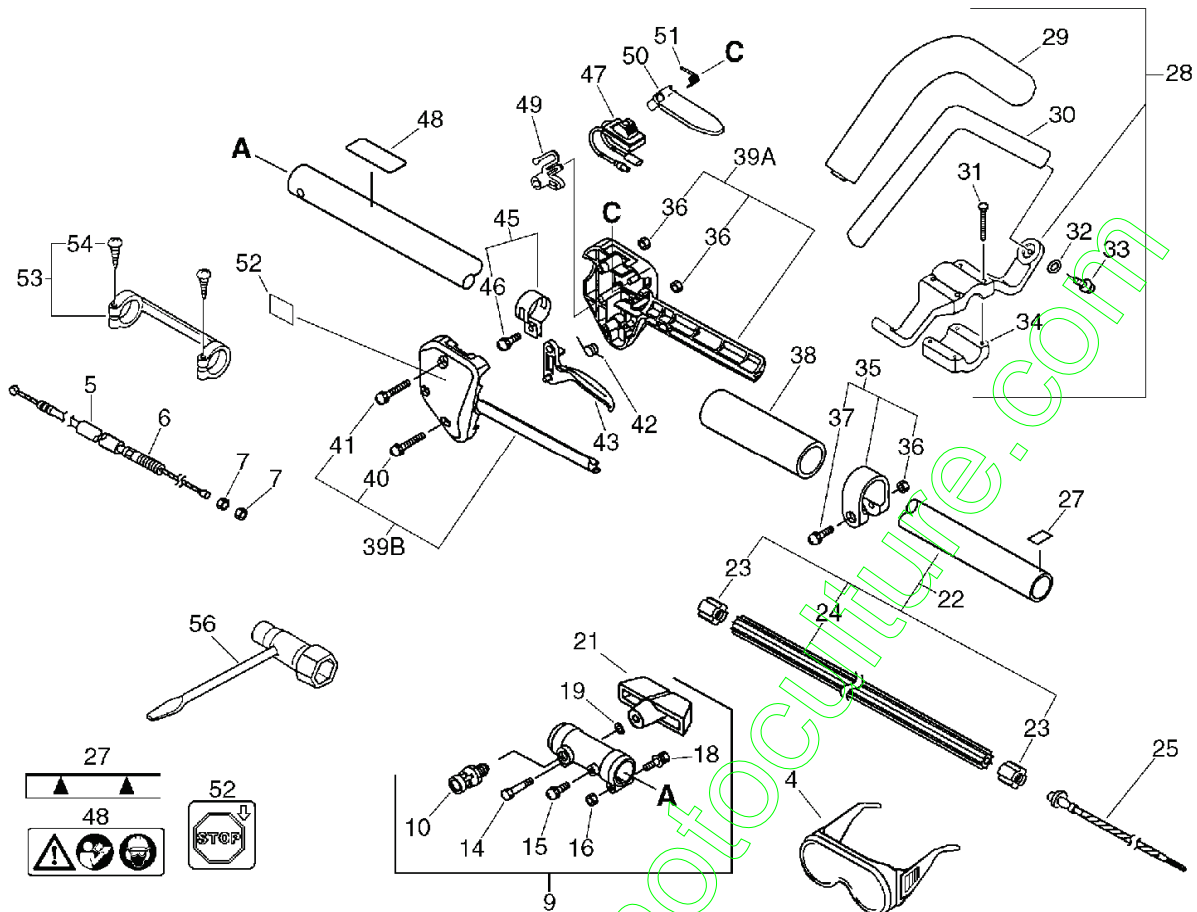
KEY	LV	PART NUMBER	Q'TY	DESCRIPTION	REMARKS	NOTE1	NOTE2
38		351213-52130	1	GRIP			
39		178003-52130	1	BRACKET SET, THROTTLE			
36	+	900500-00005	2	NUT 5	5		
40	+	900242-05025	1	SCREW 5*25	5*25		
41	+	900242-05035	1	SCREW 5*35	5*35		
42		178043-42230	1	SPRING, THR. RETURN			
43		178010-52130	1	CONTROL, THROTTLE			
45		301200-29430	1	BAND ASSY			
46	+	900242-05014	1	SCREW 5*14	5*14		
47		163400-49230	1	SWITCH, IGNITION		Sus. by 163401-55631	
47		163401-55631	1	SWITCH, IGNITION			
48		890617-07660	1	LABEL, CAUTION			
49		178012-52730	1	LOCKOUT, THROTTLE			
50		178090-52630	1	LOCKOUT, T. CONTROL		Sus. by 178090-52632	
50		178090-52631	1	LOCKOUT, T. CONTROL		Sus. by 178090-52632	
50		178090-52632	1	LOCKOUT, T. CONTROL			
51		178013-52630	1	SPRING, THR. LOCK			
52		890157-39130	1	LABEL, SWITCH			
53		610281-54130	1	COLLER			
54	+	900253-04025	2	SCREW 4*25	4*25		
56		895410-39130	1	WRENCH, W/S-DRIVER		Sus. by 895410-39131	

5. Handle, Tool(Sr/Nr 36012047 and before)



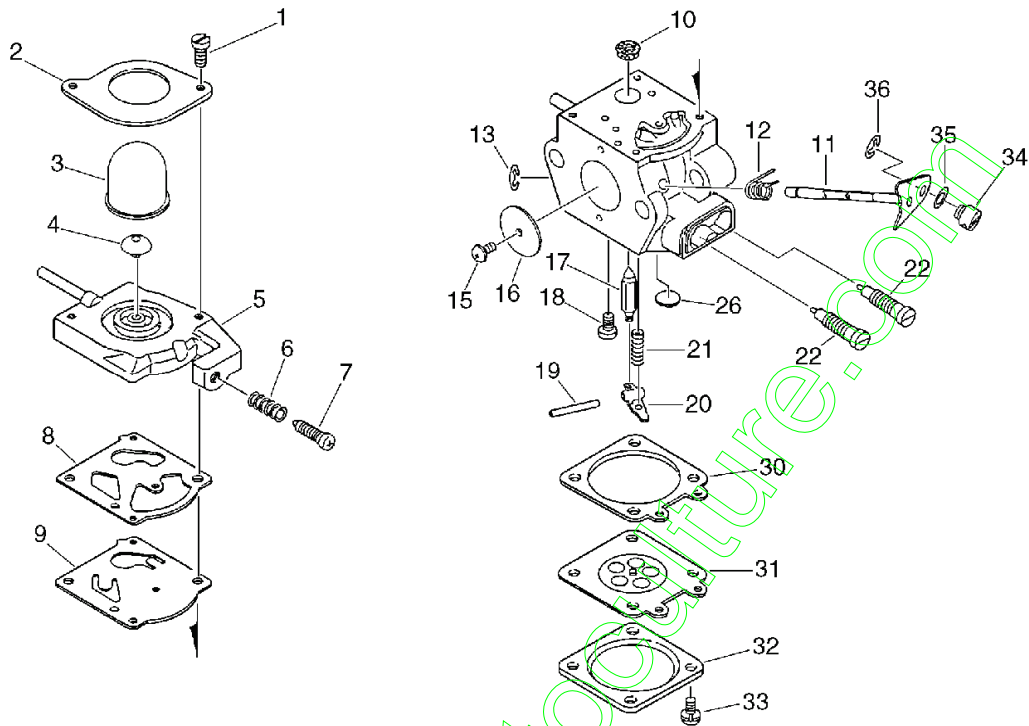
KEY	LV	PART NUMBER	Q'TY	DESCRIPTION	REMARKS	NOTE1	NOTE2
56		895410-39131	1	WRENCH, W/S-DRIVER		Sr/Nr 36001001 and after	

6. Handle, Tool(Sr/Nr 36012048 and after)



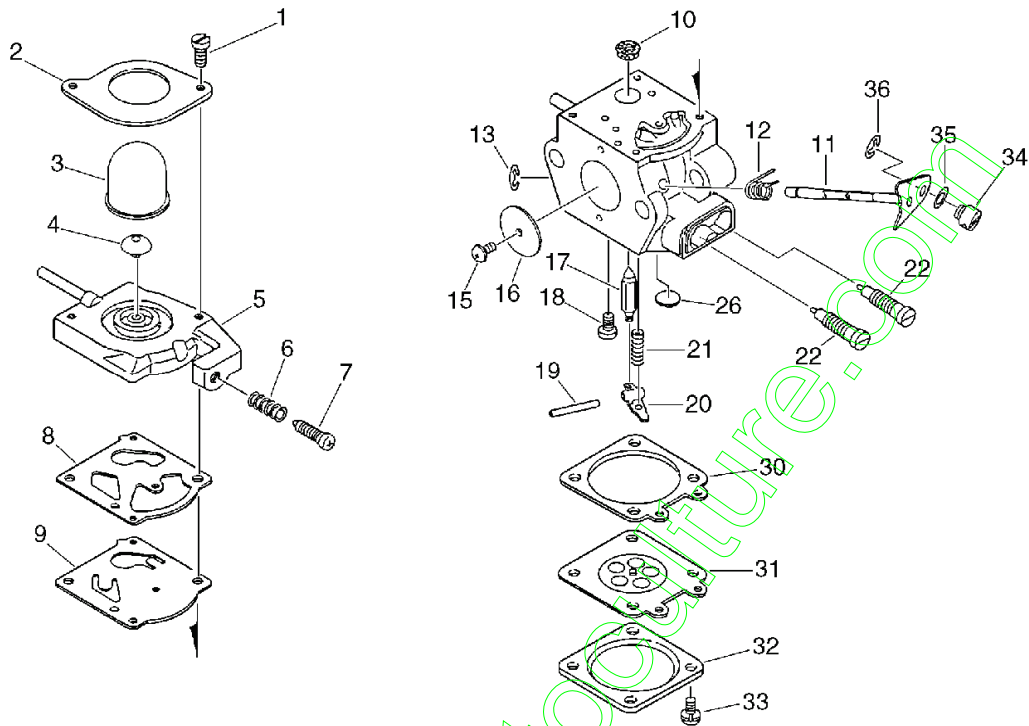
KEY	LV	PART NUMBER	Q'TY	DESCRIPTION	REMARKS	NOTE1	NOTE2
34	+	351225-07130	1	BRACKET, HANDLE (25)	25		
34	+	C423-000300	1	FIXTURE, HANDLE	25	Sr/Nr 36012048 and after	
35		610272-52130	1	BAND			
36	+	900500-00005	1	NUT 5	5		
37	+	900242-05028	1	SCREW 5*28	5*28		
38		351213-52130	1	GRIP			
39		178003-52130	1	BRACKET SET, THROTTLE			
36	+	900500-00005	2	NUT 5	5		
40	+	900242-05025	1	SCREW 5*25	5*25		
41	+	900242-05035	1	SCREW 5*35	5*35		
42		178043-42230	1	SPRING, THR. RETURN			
43		178010-52130	1	CONTROL, THROTTLE			
45		301200-29430	1	BAND ASSY			
46	+	900242-05014	1	SCREW 5*14	5*14		
47		163401-55631	1	SWITCH, IGNITION			
48		890617-07660	1	LABEL, CAUTION			
49		178012-52730	1	LOCKOUT, THROTTLE			
50		178090-52632	1	LOCKOUT, T. CONTROL			
51		178013-52630	1	SPRING, THR. LOCK			
52		890157-39130	1	LABEL, SWITCH			
53		610281-54130	1	COLLER		Sus. by 610281- 54131	
53		610281-54131	1	COLLER			
54	+	900253-04025	2	SCREW 4*25	4*25		
56		895410-39131	1	WRENCH, W/S-DRIVER			

7. Carburetor



KEY	LV	PART NUMBER	Q'TY	DESCRIPTION	REMARKS	NOTE1	NOTE2
		123000-52133	1	CARBURETOR WT-424C	WT-424C		
1	+	123110-43130	2	SCREW			
2	+	123142-09560	1	COVER, PRIMER PUMP			
3	+	123181-09560	1	PUMP, PRIMER			
4	+	123171-35630	1	VALVE, CHECK			
5	+	123124-43230	1	COVER, FUEL PUMP			
6	+	123133-04260	1	SPRING, IDLE ADJUST			
7	+	123134-04260	1	SCREW, IDLE ADJUST			
8	+	123125-09560	1	GASKET, FUEL PUMP			
9	+	123112-09560	1	DIAPHRAGM, FUEL PUMP			
10	+	123126-10631	1	SCREEN, INLET			
11	+	123117-52130	1	SHAFT, THROTTLE			
12	+	123113-52130	1	SPRING, THE.RTN			
13	+	123127-15030	1	RING			
15	+	123114-38830	1	SCREW			
16	+	123116-53130	1	VALVE, THROTTLE			
17	+	123137-19830	1	VALVE, INLET NEEDLE			
18	+	123139-03930	1	SCREW, M. LEVER PIN			
19	+	123138-03930	1	PIN, METERING LEVER			
20	+	123123-03930	1	LEVER, METERING			
21	+	123122-39330	1	SPRING, METER. LEVER			
22	+	123120-52131	2	NEEDLE, HIGH SPEED			
26	+	123146-10631	1	PLUG, WELCH			
30	+	123140-03930	1	GASKET, M. DIAPHRAGM			
31	+	123141-03930	1	DIAPHRAGM, METERING			
32	+	123142-03930	1	COVER, M. DIAPHRAGM			

7. Carburetor



KEY	LV	PART NUMBER	Q'TY	DESCRIPTION	REMARKS	NOTE1	NOTE2
33	+	123130-02960	4	SCREW			
34	+	123172-26030	1	SWIVEL			
35	+	123149-26030	1	WASHER			
36	+	123173-07930	1	CLIP			

Index

Patrs Number	Key No.	Patrs Number	Key No.	Patrs Number	Key No.
100000-09563	1 - 8	123173-07930	7 - 36	177202-44330	2 - 20
100011-09560	1 - 9	123181-09560	7 - 3	177202-44331	2 - 20
100012-51230	1 - 4	129011-52130	3 - 14	177215-44430	2 - 29
100013-11520	1 - 10	129011-52131	3 - 14	177218-44330	2 - 24
100014-11520	1 - 12	130010-05960	3 - 7	177220-42030	2 - 33
100015-04630	1 - 11	130010-42032	3 - 3	177226-10120	2 - 30
100100-44732	1 - 17	130017-42031	3 - 6	177227-42030	2 - 31
100204-52130	1 - 14	130301-51730	3 - 11	177228-06530	2 - 32
100204-52131	1 - 14	130302-52130	3 - 18	177234-42030	2 - 23
100204-52132	1 - 14	130302-52131	3 - 18	177236-44330	2 - 27
100212-42030	1 - 13	130310-51830	3 - 16	178001-56730	5 - 6
100212-42031	1 - 13	130406-52130	3 - 20	178001-56730	6 - 6
100215-03930	1 - 15	130406-52131	3 - 20	178003-52130	5 - 39
100242-42030	1 - 18	131004-08960	4 - 16	178003-52130	6 - 39
100251-56630	5 - 26	131005-46830	4 - 15	178010-52130	5 - 43
100251-56630	6 - 26	131005-46831	4 - 15	178010-52130	6 - 43
101010-44332	1 - 7	131016-55830	4 - 17	178012-52730	5 - 49
101011-08961	1 - 5	131051-52430	4 - 19	178012-52730	6 - 49
101503-52131	1 - 25	131205-07320	4 - 10	178013-52630	5 - 51
101514-48930	1 - 23	131300-56430	4 - 5	178013-52630	6 - 51
123000-52133	3 - 8	131312-39130	4 - 7	178043-42230	5 - 42
123000-52133	7 -	131312-39130	4 - 11	178043-42230	6 - 42
123110-43130	7 - 1	132010-56330	4 - 6	178090-52630	5 - 50
123112-09560	7 - 9	132011-03360	4 - 9	178090-52631	5 - 50
123113-52130	7 - 12	132012-12360	4 - 13	178090-52632	5 - 50
123114-38830	7 - 15	132115-46730	4 - 8	178090-52632	6 - 50
123116-53130	7 - 16	145510-42031	3 - 22	178127-50330	5 - 5
123117-52130	7 - 11	145510-42032	3 - 22	178127-50330	6 - 5
123120-52131	7 - 22	145631-42030	3 - 23	178302-56630	5 - 10
123122-39330	7 - 21	145642-04930	3 - 25	178302-56630	6 - 10
123123-03930	7 - 20	145802-21560	3 - 32	178510-51730	3 - 9
123124-43230	7 - 5	145818-52130	3 - 30	178515-05060	3 - 13
123125-09560	7 - 8	145862-40630	3 - 33	178516-00830	3 - 12
123126-10631	7 - 10	145866-42031	3 - 28	178810-05230	3 - 10
123127-15030	7 - 13	145876-42030	3 - 29	301200-29430	5 - 45
123130-02960	7 - 33	156112-40630	2 - 13	301200-29430	6 - 45
123133-04260	7 - 6	156626-52630	2 - 9	305110-42030	4 - 18
123134-04260	7 - 7	156801-44731	2 - 7	351205-66230	5 - 30
123137-19830	7 - 17	159010-10230	2 - 12	351205-66230	6 - 30
123138-03930	7 - 19	159011-03432	2 - 11	351213-52130	5 - 38
123139-03930	7 - 18	159012-03433	2 - 10	351213-52130	6 - 38
123140-03930	7 - 30	159912-54130	1 - 22	351216-66230	5 - 29
123141-03930	7 - 31	162010-52830	2 - 15	351216-66230	6 - 29
123142-03930	7 - 32	163400-49230	5 - 47	351225-07130	5 - 34
123142-09560	7 - 2	163401-55631	5 - 47	351225-07130	6 - 34
123146-10631	7 - 26	163401-55631	6 - 47	352325-27630	5 - 21
123149-26030	7 - 35	175000-56830	2 - 6	610013-55630	5 - 25
123171-35630	7 - 4	175005-48931	1 - 33	610206-56730	5 - 22
123172-26030	7 - 34	177200-42033	2 - 26	610206-56730	6 - 22

Index

Patrs Number	Key No.	Patrs Number	Key No.	Patrs Number	Key No.
610217-56730	5 - 24	900242-05014	5 - 46	P021-004351	6 - 9
610217-56730	6 - 24	900242-05014	6 - 46	P021-006510	5 - 9
610246-44730	5 - 23	900242-05025	5 - 40	P021-008940	3 - 32
610246-44730	6 - 23	900242-05025	6 - 40	P021-012390	6 - 28
610272-52130	5 - 35	900242-05028	5 - 37	V104-000160	3 - 22
610272-52130	6 - 35	900242-05028	6 - 37	V137-000030	4 - 8
610281-54130	5 - 53	900242-05035	5 - 31	V299-000100	5 - 21
610281-54130	6 - 53	900242-05035	5 - 41	V299-000160	5 - 21
610281-54131	6 - 53	900242-05035	6 - 31	V299-000160	6 - 21
610601-56731	5 - 9	900242-05035	6 - 41	V304-000040	5 - 19
610601-56732	5 - 9	900242-05057	3 - 15	V304-000040	6 - 19
610903-55230	1 - 39	900253-04025	5 - 54	V471-001200	4 - 7
610910-55230	1 - 37	900253-04025	6 - 54	V471-001200	4 - 11
610922-27432	1 - 41	900253-05020	5 - 33	V553-000010	1 - 4
610923-55230	1 - 40	900500-00005	3 - 4	X690-000030	5 - 4
889950-21060	5 - 33	900500-00005	5 - 16	X690-000050	6 - 4
890112-66230	1 - 24	900500-00005	5 - 44		
890118-49130	2 - 36	900500-00005	5 - 36		
890121-47530	3 - 17	900500-00005	5 - 36		
890152-04930	5 - 27	900500-00005	6 - 36		
890152-04930	6 - 27	900500-00005	6 - 36		
890157-39130	5 - 52	900502-00006	5 - 7		
890157-39130	6 - 52	900502-00006	6 - 7		
890617-07660	5 - 48	900514-00006	5 - 16		
890617-07660	6 - 48	900514-00006	6 - 16		
895410-39130	5 - 56	900600-00005	3 - 21		
895410-39131	5 - 56	900600-00005	5 - 19		
895410-39131	6 - 56	900600-00005	5 - 32		
899580-68730	5 - 4	900600-00005	6 - 32		
900100-05035	5 - 14	900603-00005	4 - 14		
900105-05055	3 - 26	900605-00005	5 - 20		
900105-06010	5 - 15	900701-00012	1 - 36		
900105-06010	6 - 15	900702-00028	1 - 34		
900105-06025	5 - 18	900807-96001	1 - 35		
900105-06025	6 - 18	900810-36201	1 - 16		
900142-05025	1 - 42	91085-06040	5 - 14		
900142-05030	5 - 18	91085-06040	6 - 14		
900162-04022	2 - 8	94035-36201	1 - 16		
900162-05022	1 - 6	A011-000100	1 - 17		
900162-05028	1 - 19	A011-000101	1 - 17		
900162-05040	5 - 14	A320-000250	3 - 23		
900163-04016	1 - 20	A320-000251	3 - 23		
900163-04016	1 - 26	A356-000030	4 - 5		
900163-04016	2 - 35	C423-000300	6 - 34		
900238-05016	1 - 21	C506-000041	5 - 25		
900238-05016	4 - 12	C506-000042	6 - 25		
900238-05020	3 - 5	P021-000020	5 - 28		
900242-04010	3 - 31	P021-000021	5 - 28		
900242-05012	5 - 15	P021-002861	5 - 4		

YAMABIKO CORPORATION

7-2 SUEHIROCHO 1-CHOME, OHME, TOKYO 198-8760, JAPAN
PHONE: 81-428-32-6118. FAX: 81-428-32-6145.



contact@enc-motoculture.com