



## OPTIONAL ATTACHMENTS & ACCESSORIES

### Attachments

21010000310	Y-T Nozzle
21150001611	Granule Spreader Nozzle
21250001111	Y-Head Nozzle
21270001110	Fan-Head Nozzle
22000001810	20M Dusting Hose
22000201810	40M Dusting Hose
30100505060	PB Vacuum Bag Strap
99944100010	Rain Gutter Kit
99944100030	PB_ES Shoulder Strap
99988800130	Liquid Pump
99988800260	30M Dusting Hose
PBAV-1000	Vacuum Attachment

## PARTS CATALOG

# PB-1010 Power Blower

21.2cc

### SERIAL NUMBERS

S/N: 242732 - 999999

contact@emc-motoculture.com

### **ECHO, INCORPORATED**

400 Oakwood Road Lake Zurich, Illinois 60047 USA

WWW.ECHO-USA.COM

# Table of Contents

---

Click Any Diagram Description Below To View That Diagram.

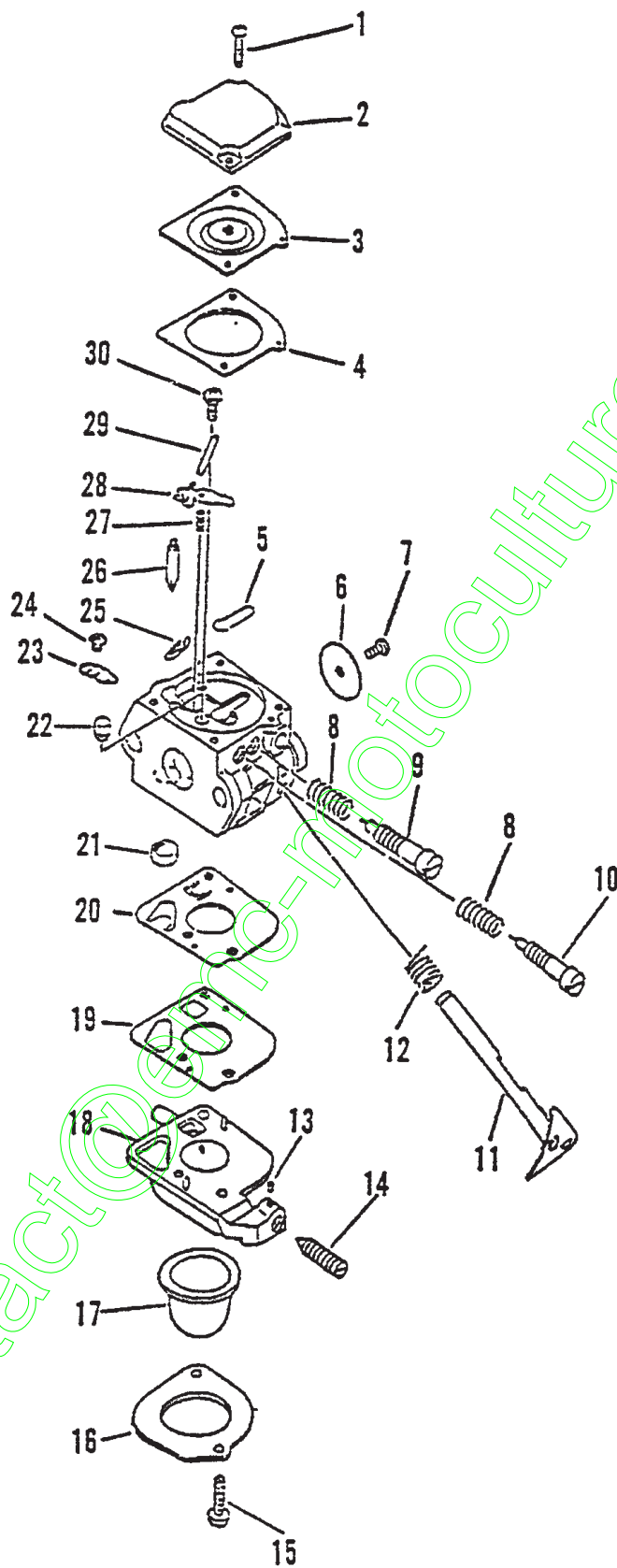
## **PB-1010 S/N: 242732 - 999999**

Carburetor.....	4
Engine, Crankcase.....	6
Fan, Housings, Blowing Pipes, Debris Bag, Handles, Cover, Tools.....	8
Fuel System.....	10
Gasket Kit -- 88900005062.....	12
Intake, Exhaust, Air Cleaner.....	14
Starter, Ignition.....	16
Part Number Index.....	18
Part Description Index.....	19

[contact@emc-motoculture.com](mailto:contact@emc-motoculture.com)

***This Page Intentionally Left Blank***

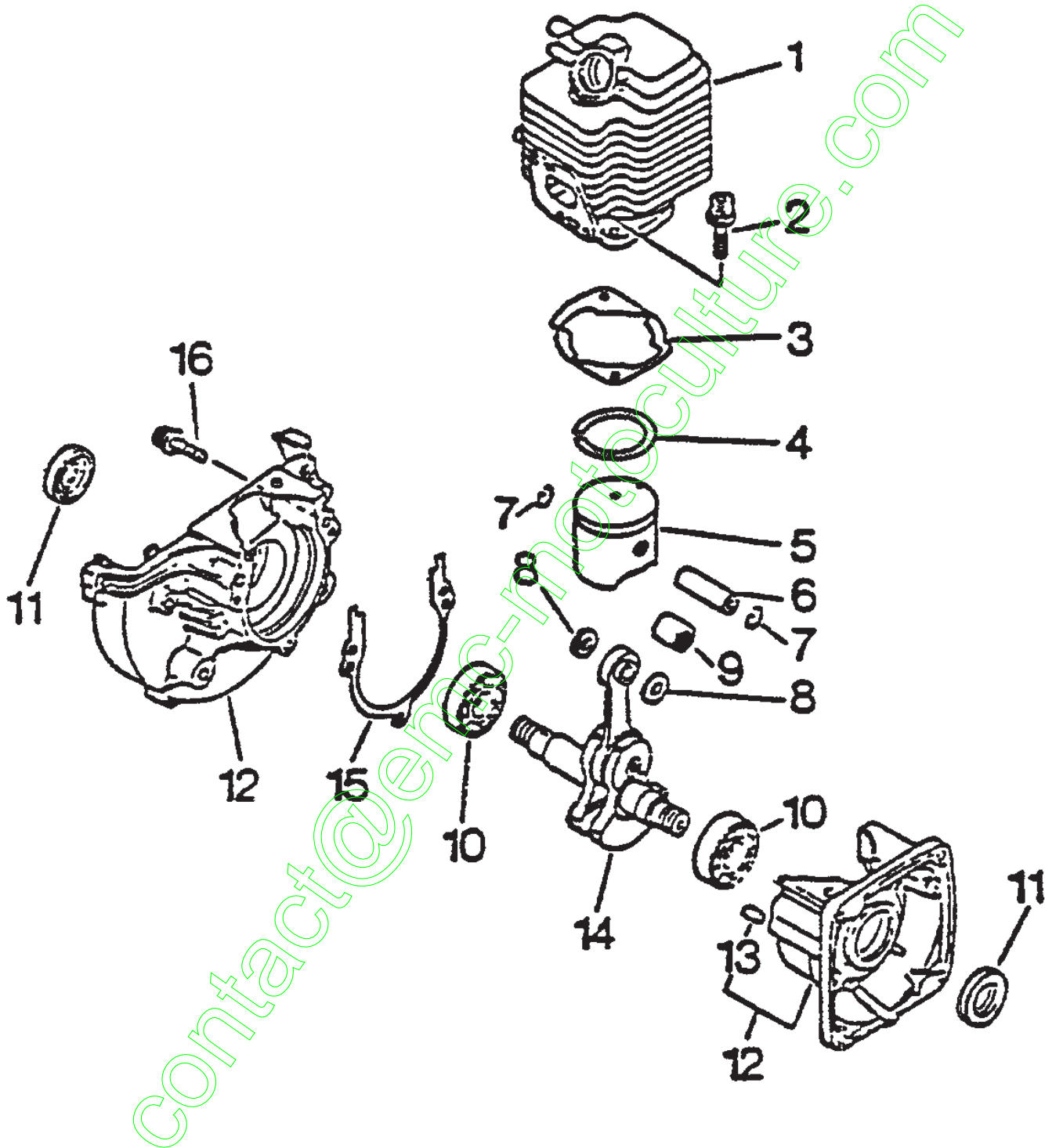
[contact@enc-motoculture.com](mailto:contact@enc-motoculture.com)



contact@photoculture.com

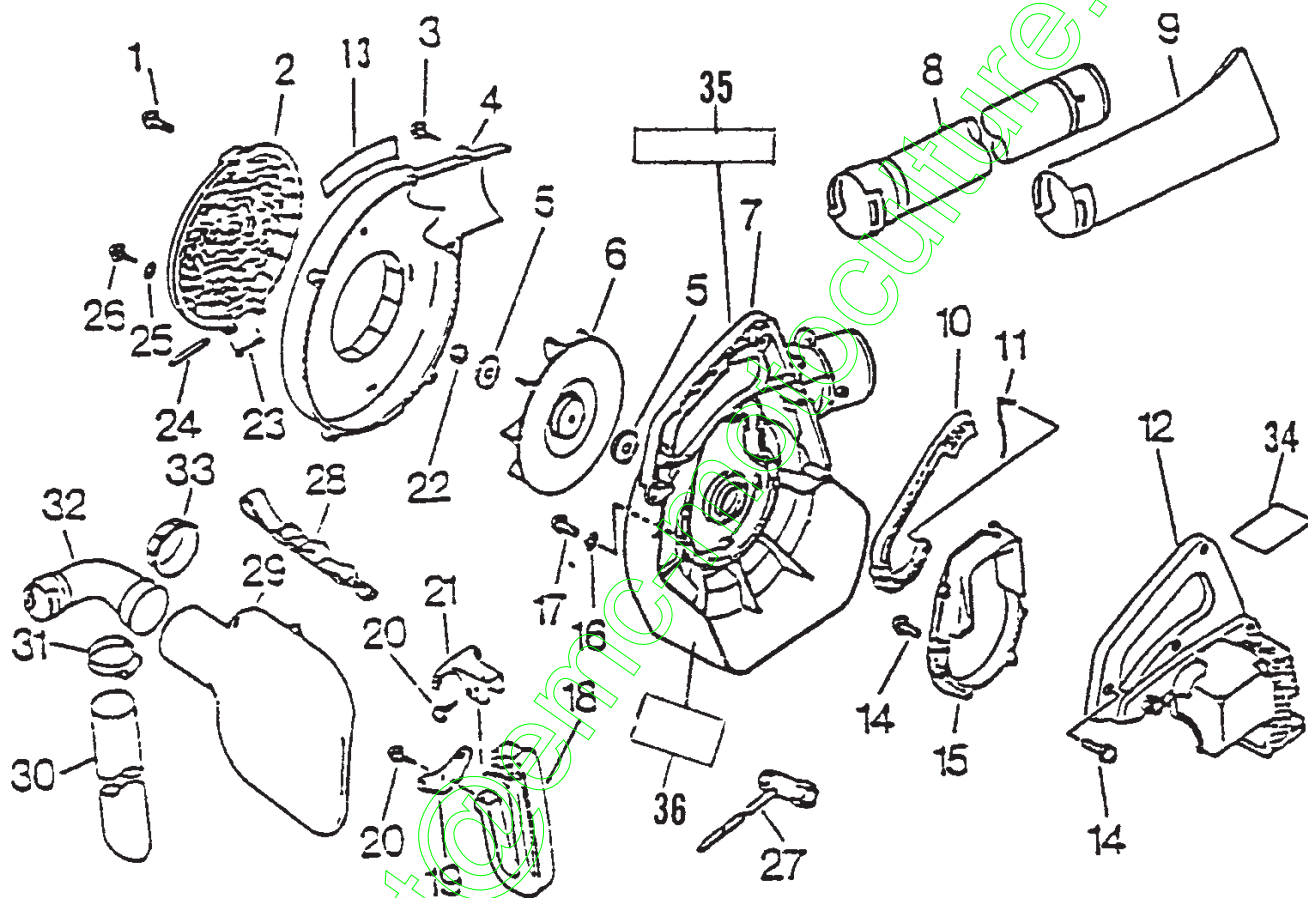
ITEM	PART NUMBER	QTY	DESCRIPTION	REMARKS
	12520006861	1	CARBURETOR C1U-K26A	INCLUDES ITEMS 1-30
1	12534413931	2	SCREW	
2	12534215130	1	COVER	
3		1	DIAPHRAGM	Included in Repair Kit P/N 12530042030 & Gasket/Diaphragm Kit P/N 12530342030
4		1	GASKET, DIAPHRAGM	Included in Repair Kit P/N 12530042030 & Gasket/Diaphragm Kit P/N 12530342030
5		1	PLUG, WELCH	Included in Repair Kit P/N 12530042030
6	12531642030	1	VALVE, THROTTLE	
7	12531413930	1	SCREW	
8	12531942030	2	SPRING, COIL	
9	12532007260	1	NEEDLE - HIGH SPEED	
10	12531851330	1	NEEDLE - LOW SPEED	
11	12531705060	1	SHAFT, THROTTLE	
12	12531342030	1	SPRING, THROTTLE RETURN	
13	12537813930	1	PIECE, FRICTION	
14	12533406860	1	SCREW, IDLE ADJUST	
15	12531011610	2	SCREW	
16	12536311610	1	RING	
17	12538108660	1	BULB, PURGE	
18	12532411610	1	COVER, PUMP	
19		1	GASKET, FUEL PUMP	Included in Repair Kit P/N 12530042030 & Gasket/Diaphragm Kit P/N 12530342030
20		1	DIAPHRAGM, FUEL PUMP	Included in Repair Kit P/N 12530042030 & Gasket/Diaphragm Kit P/N 12530342030
21		1	STRAINER	Included in Repair Kit P/N 12530042030
22	12537606360	1	NOZZLE, CHECK VALVE	
23	12535005060	1	LEVER, THROTTLE	
24	12534813930	1	SCREW	
25	12532713930	1	CLIP	
26		1	VALVE, NEEDLE	Included in Repair Kit P/N 12530042030
27		1	SPRING, COIL	Included in Repair Kit P/N 12530042030
28		1	ARM, VALVE	Included in Repair Kit P/N 12530042030
29		1	PIN	Included in Repair Kit P/N 12530042030
30	12533942030	1	SCREW	
	12530042030	1	REPAIR KIT	
	12530342030	1	GASKET/DIAPHRAGM KIT	

contact@amc-motoculture.com



ITEM	PART NUMBER	QTY	DESCRIPTION	REMARKS
1	10101145230	1	CYLINDER	
2	90016205022	2	SCREW 5X22	
3	10101044331	1	GASKET, CYLINDER BASE	Use Gasket Kit P/N 88900005062
4	10001105330	1	RING, PISTON	
5	10001044330	1	PISTON	
6	10001311520	1	PIN, PISTON	
7	10001504630	2	CIRCLIP, PISTON PIN	
8	10001411520	2	SPACER, PISTON PIN	
9	10001211520	1	BEARING, NEEDLE	
10	9403536201	2	BEARING, BALL - 6201	
11	10021242031	2	OIL SEAL	
12	10020042030	1	CRANKCASE SET	Includes Items 13 & 15
13	V622000020	2	DOWEL PIN	
14	10010044730	1	CRANKSHAFT ASY	
15		1	GASKET, CRANKCASE	Use Gasket Kit P/N 88900005062
16	90016205028	3	SCREW 5X28	
	SB1001	1	SHORT BLOCK	Includes Factory Assembled Cylinder, Crankcase, Piston Crankshaft, Bearings & Seals;
	LB1002	1	LONG BLOCK	Includes SB1001, Carburetor/Fuel System, Ignition System & Starter Asy
	88900005062		GASKET KIT	

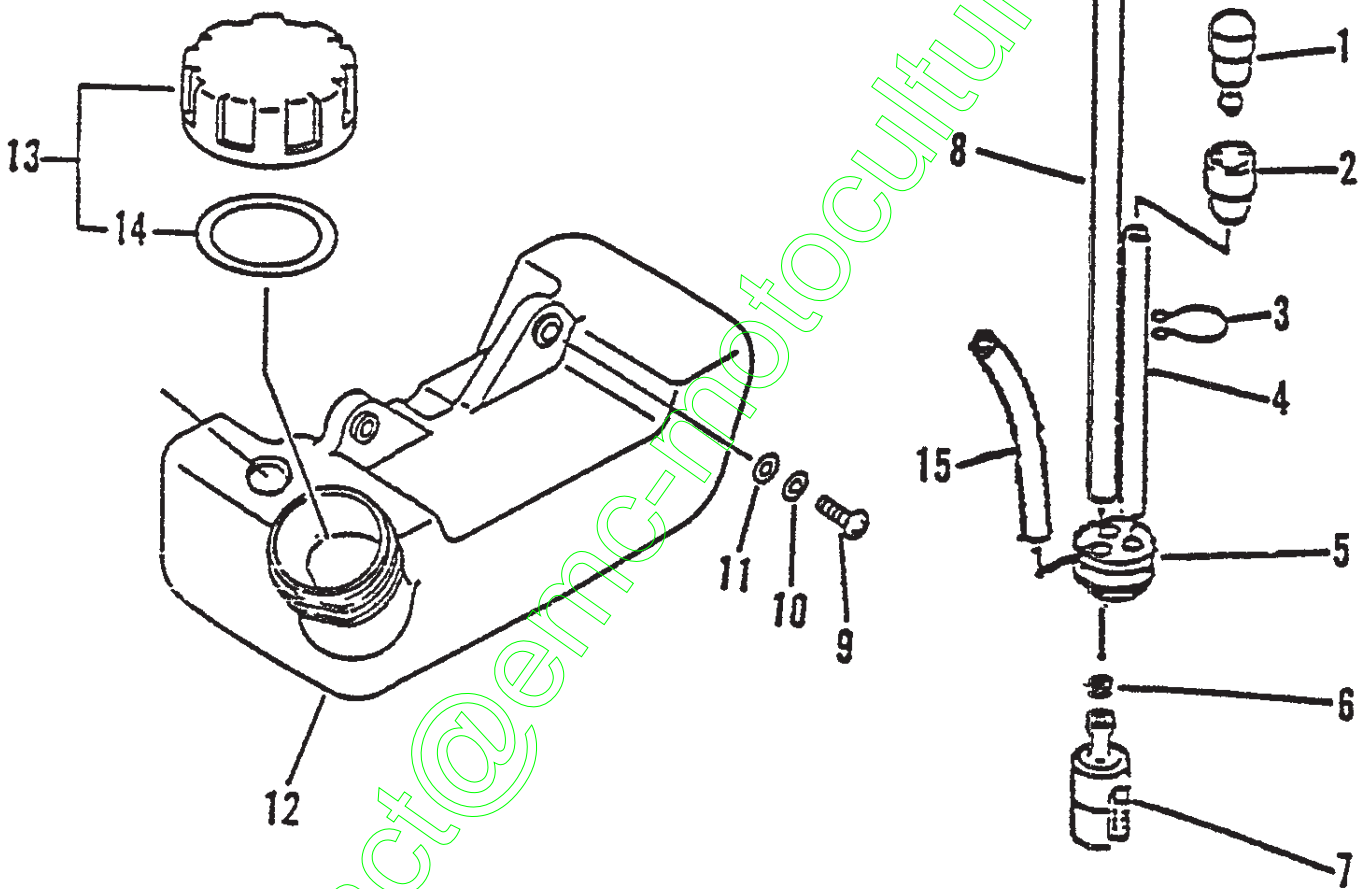
contact@emc-motocycle.com





ITEM	PART NUMBER	QTY	DESCRIPTION	REMARKS
1	13040605060	1	BOLT, THIMB	
2	20012405060	1	GRID, FAN CASE	
3	90025305020	6	SCREW 5X20 - TAPPING	
4	20010506360	1	CASE, FAN	
5	10013205660	2	WASHER 8	
6	20001006362	1	FAN	
7	20011006360	1	CASE, FAN	
8	21001505060	1	TUBE, BLOWER - STRAIGHT	
9	21003105060	1	NOZZLE, FAN HEAD	
10	17801006360	1	CONTROL, THROTTLE	
11	17801105060	1	ROD, THROTTLE	
12	10400806360	1	COVER, ENGINE	
13	89011806360	1	LABEL - MODEL	
14	90023804018	6	SCREW 4X18	
15	10493005061	1	BASE, ENGINE	
16	10403205060	6	WASHER	
17	90023804022	5	SCREW 4X22	
18	35101005060	1	HANDLE	
19	35102805060	1	SUPPORTER, HANDLE	
20	90025305014	9	SCREW 5X14	
21	35101105060	1	SUPPORTER, HANDLE	
22	90050000008	1	NUT 8	
23	20015205060	1	SPRING, GRID	
24	20015005060	1	SHAFT, GRID	
25	10403205060	1	WASHER	
26	90024605014	9	SCREW 5X14	
27	89541002830	1	WRENCH, W/SCREWDRIVER	
28	30100505060	1	HARNESS	
29	88081405060	1	BAG	
30	21002705060	1	ADAPTER, TUBE	
31	21041305060	1	CLAMP	
32	21501205060	1	TUBE, DEBRIS	
33	21501301961	1	RING	
34	89019406360	1	LABEL, HOT	
35			LABEL, NOISE	Not used on this model
36	89016003360	1	LABEL, CAUTION	

contact@emc-motoculture.com



ITEM	PART NUMBER	QTY	DESCRIPTION	REMARKS
1	13130040630	1	VENT ASY	
2	13132840630	1	COVER, VENT	
3	13201305060	1	CLIP, PIPE	
4	V137000030	1	PIPE - 3X5X70mm	REPOWER BULK OPTION: 90014
5	V137000030	1	GROMMET	
6	13201309820		CLIP	
7	13120507320		STRAINER, FUEL	
8	V471001190	1	PIPE, FUEL - 3X5X180mm	REPOWER BULK OPTION: 90014
9	90023805016	2	SCREW 5X16	
10	90060500005	2	WASHER, SPRING 5	
11	90060300005	2	WASHER 5	
12	13100505760	1	TANK, FUEL	
13	13100448730	1	CAP ASY	INCLUDES ITEM 14
14	13101640930	1	GASKET, FUEL TANK CAP	
15	13201056330		PIPE, RETURN - 3X6X90mm	REPOWER BULK OPTION: 90017

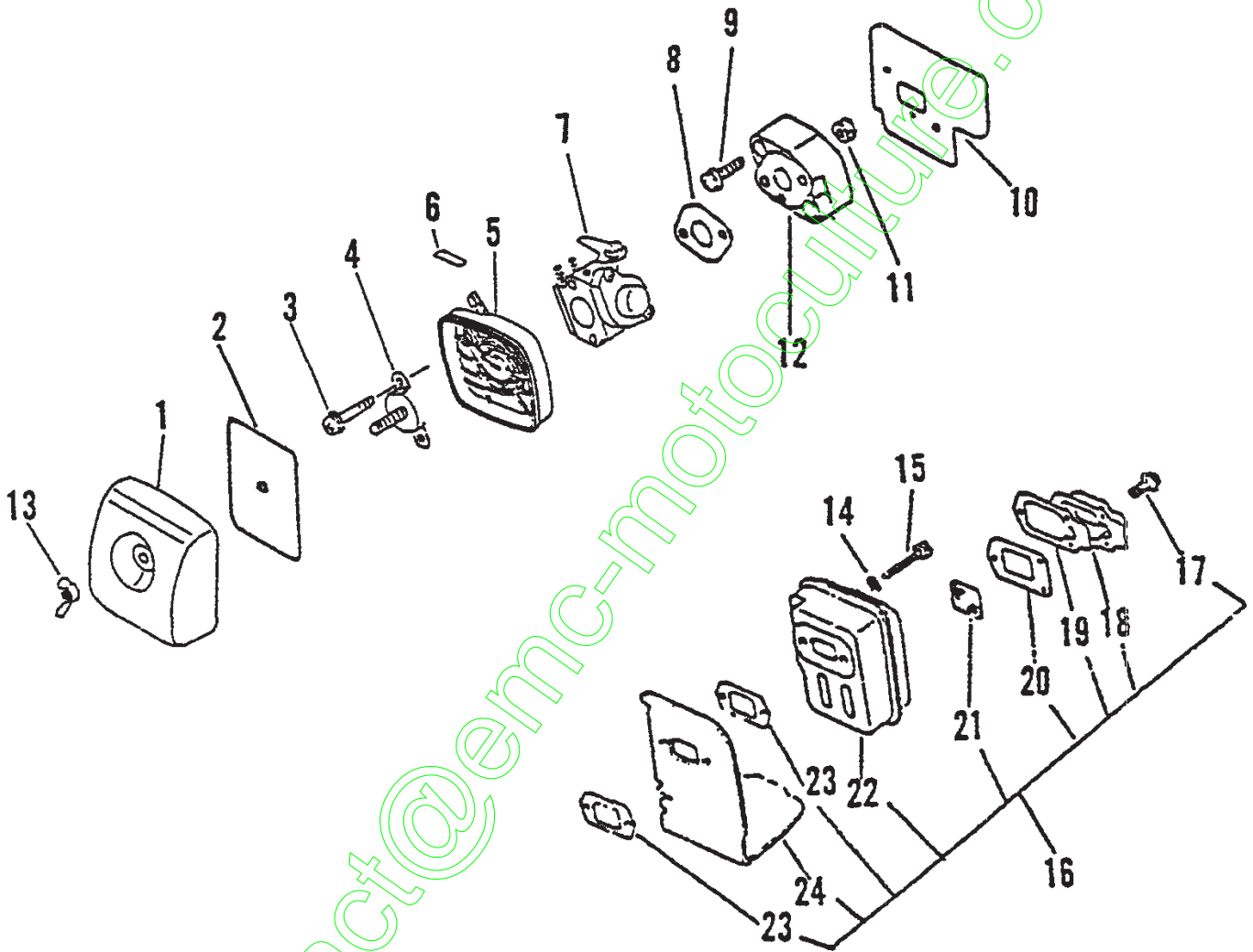
contact@emc-motoculture.com

No  
Diagram  
Available  
  
Parts List  
Only

contact@amc-machinery.com

ITEM	PART NUMBER	QTY	DESCRIPTION	REMARKS
	88900005062		GASKET KIT	Includes Items Below
	13001005061	1	GASKET, INTAKE	
	13001642031	1	GASKET, INTAKE	
	14586642031	1	GASKET, MUFFLER LID	
	V104000160	2	GASKET, EXHAUST	
		1	GASKET, CRANKCASE	Not serviced separately
	10101044331	1	GASKET, CYLINDER BASE	
	14587105760	1	COVER, MUFFLER	

[contact@enc-motoculture.com](mailto:contact@enc-motoculture.com)



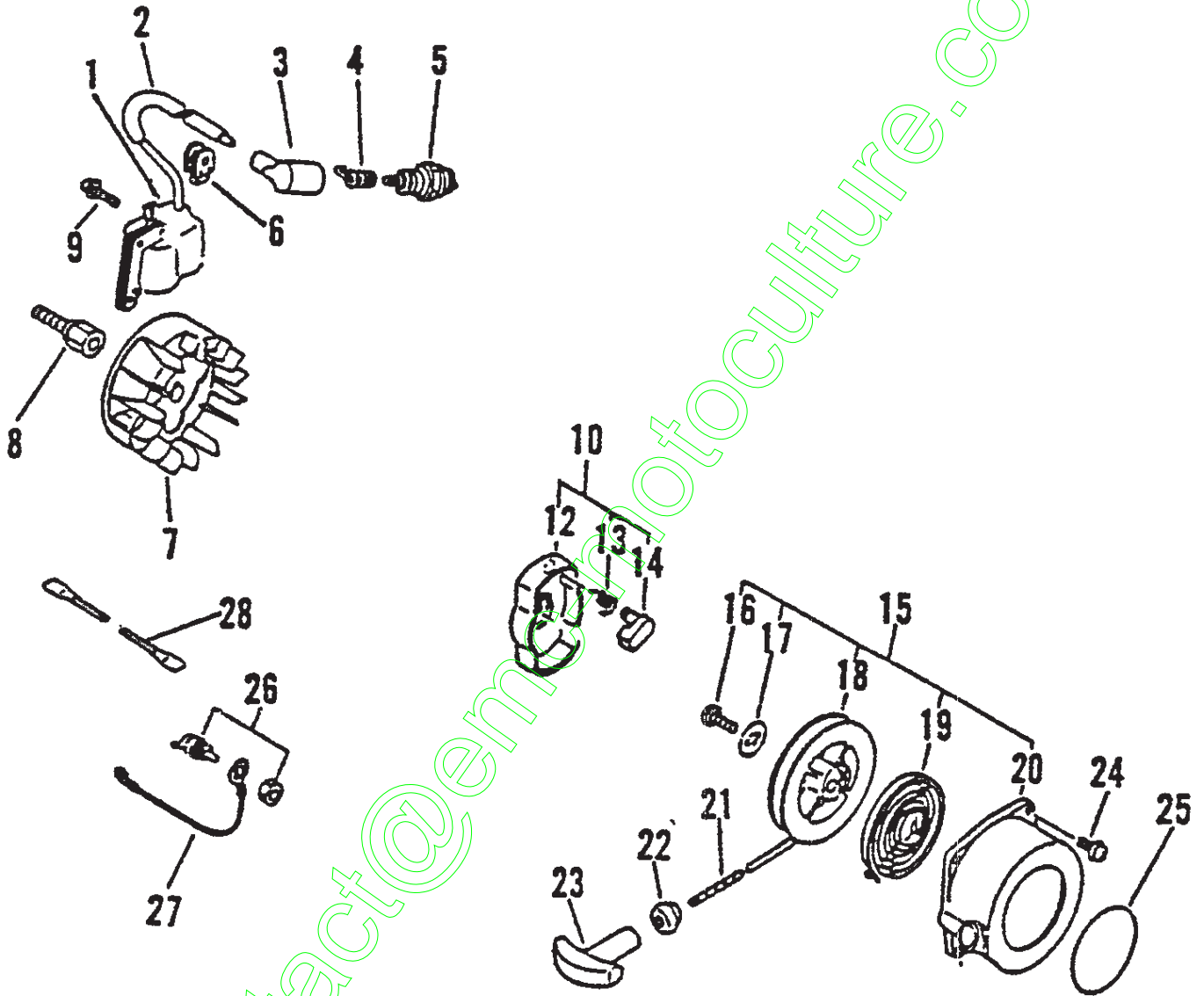
contact@emc-motoculture.com

ITEM	PART NUMBER	QTY	DESCRIPTION	REMARKS
1	13031306560	1	LID, AIR CLEANER	
2	13031054130	1	FILTER, AIR	
3	90024205065	2	SCREW 5X65	
4	12901105060	1	PLATE, PREVENT	
5	13030706561	1	AIR CLEANER CASE ASY <sup>1</sup>	
6	89012105360	1	LABEL, CHOKE	
7	12520006861	1	CARBURETOR C1U-K26A	
8	13001642031	1	GASKET,INTAKE	
9	90023805022	2	SCREW 5X22	
10	13001005061	1	GASKET,INTAKE	
11	90050000005	2	NUT	
12	13001705060	1	INSULATOR	
13	90052800005	1	WING BOLT	
14	90060000005	2	WASHER 5	
15	90010505055	2	SCREW 5X55	
16	14580042031	1	MUFFLER ASY	INCLUDES ITEMS 17 - 24
17	90024204010	3	SCREW 4X10	
18	14587605060	1	LID, MUFFLER	
19	14587642030	1	PLATE	
20	14586642031	1	GASKET, MUFFLER LID	
21	14586240630	1	SCREEN, MUFFLER	
22	14581044330	1	MUFFLER	
23	V104000160	2	GASKET, EXHAUST	
24	14587105760	1	COVER, MUFFLER	

Footnotes

1: WHEN REPLACING AIR CLEANER CASE WITH P/N 13030706561 ON UNITS IN S/N RANGE 270306 THRU 317417 ORDER  
 (2) P/N 90024205065 SCREWS FOR PROPER RETENTION

contact@emc-motoculture.com





ITEM	PART NUMBER	QTY	DESCRIPTION	REMARKS
1	15862606360	1	COIL, IGNITION	
2	15661105060	1	TUBE	
3	15901201620	1	CAP, SPARK PLUG	
4	15901103432	1	COIL, SPARK PLUG CAP	
5	15901010630	1	SPARK PLUG -- BPM-7A	
5	15901010230	1	SPARK PLUG -- BPMR-7A	(Canadian Model)
6	15011205060	1	GROMMET	
7	15880006360	1	FLYWHEEL	
8	20001105660	1	HUB, FAN	
9	90023804022	2	SCREW 4X22	
10	17720244330	1	STARTER PAWL ASY	Includes Items 12 - 14
12		1	CATCHER, PAWL	Not sold seperately
13	17723412220	1	SPRING, RETURN	
14	17721844330	1	PAWL, STARTER	
15	17720042032	1	STARTER, ASY	Includes Items 16 - 23
16	17723640630	1	SCREW	
17	17721442030	1	WASHER	
18	17721542030	1	DRUM,STARTER	
19	17722042030	1	SPRING, REWIND	
20	17723242032	1	CASE, STARTER	
21		1	ROPE, STARTER	Use Bulk Rope P/N 99944400040 DIA. 3.0 MM (.12") X 1000 MM (39.0")
22	17722742030	1	GUIDE, ROPE	
23	17722806530	1	GRIP, STARTER	
24	90023804018	2	SCREW 4X18	
25	89011848830	1	LABEL, ECHO	
26	16340003460	1	SWITCH, IGNITION	
27	16201006860	1	LEAD, GROUND	
28	16201006360	1	LEAD	
	99944400040		BULK ROPE DIA. 3.0 MM (.12") X 1000 MM (39.0")	

contact@emc-motoculture.com



# Part Number Index

Click The Page Number After Any Part Number To View The Diagram Containing That Part.

Part Number	Page	Part Number	Page
.....	5, 7, 9, 13, 17	16340003460	.....17
10001044330	.....7	17720042032	.....17
10001105330	.....7	17720244330	.....17
10001211520	.....7	17721442030	.....17
10001311520	.....7	17721542030	.....17
10001411520	.....7	17721844330	.....17
10001504630	.....7	17722042030	.....17
10010044730	.....7	17722742030	.....17
10013205660	.....9	17722806530	.....17
10020042030	.....7	17723242032	.....17
10021242031	.....7	17723412220	.....17
10101044331	.....7, 13	17723640630	.....17
10101145230	.....7	17801006360	.....9
10400806360	.....9	17801105060	.....9
10403205060	.....9	20001006362	.....9
10493005061	.....9	20001105660	.....17
12520006861	.....5, 15	20010506360	.....9
12530042030	.....5	20011006360	.....9
12530342030	.....5	20012405060	.....9
12531011610	.....5	20015005060	.....9
12531342030	.....5	20015205060	.....9
12531413930	.....5	21001505060	.....9
12531642030	.....5	21002705060	.....9
12531705060	.....5	21003105060	.....9
12531851330	.....5	21041305060	.....9
12531942030	.....5	21501205060	.....9
12532007260	.....5	21501301961	.....9
12532411610	.....5	30100505060	.....9
12532713930	.....5	35101005060	.....9
12533406860	.....5	35101105060	.....9
12533942030	.....5	35102805060	.....9
12534215130	.....5	88081405060	.....9
12534413931	.....5	88900005062	.....7, 13
12534813930	.....5	89011806360	.....9
12535005060	.....5	89011848830	.....17
12536311610	.....5	89012105360	.....15
12537606360	.....5	89016003360	.....9
12537813930	.....5	89019406360	.....9
12538108660	.....5	89541002830	.....9
12901105060	.....15	90010505055	.....15
13001005061	.....13, 15	90016205022	.....7
13001642031	.....13, 15	90016205028	.....7
13001705060	.....15	90023804018	.....9, 17
13030706561	.....15	90023804022	.....9, 17
13031054130	.....15	90023805016	.....11
13031306560	.....15	90023805022	.....15
13040605060	.....9	90024204010	.....15
13100448730	.....11	90024205065	.....15
13100505760	.....11	90024605014	.....9
13101640930	.....11	90025305014	.....9
13120507320	.....11	90025305020	.....9
13130040630	.....11	90050000005	.....15
13132840630	.....11	90050000008	.....9
13201056330	.....11	90052800005	.....15
13201305060	.....11	90060000005	.....15
13201309820	.....11	90060300005	.....11
14580042031	.....15	90060500005	.....11
14581044330	.....15	9403536201	.....7
14586240630	.....15	99944400040	.....17
14586642031	.....13, 15	LB1002	.....7
14587105760	.....13, 15	SB1001	.....7
14587605060	.....15	V104000160	.....13, 15
14587642030	.....15	V137000030	.....11
15011205060	.....17	V471001190	.....11
15661105060	.....17	V622000020	.....7
15862606360	.....17		
15880006360	.....17		
15901010230	.....17		
15901010630	.....17		
15901103432	.....17		
15901201620	.....17		
16201006360	.....17		
16201006860	.....17		

cont@emc-motoculture.com



# Part Description Index

Click The Page Number After Any Part Description To View The Diagram Containing That Part.

<p><b>A</b></p> <p>ADAPTER, TUBE.....9                  AIR CLEANER CASE ASY.....15                  ARM, VALVE.....5</p> <p><b>B</b></p> <p>BAG.....9                  BASE, ENGINE.....9                  BEARING, BALL - 6201.....7                  BEARING, NEEDLE.....7                  BOLT, THIMB.....9                  BULB, PURGE.....5                  BULK ROPE DIA. 3.0 MM (.12") X 1000 MM (39.0").....17</p> <p><b>C</b></p> <p>CAP ASY.....11                  CAP, SPARK PLUG.....17                  CARBURETOR C1U-K26A.....5, 15                  CASE, FAN.....9                  CASE, STARTER.....17                  CATCHER, PAWL.....17                  CIRCLIP, PISTON PIN.....7                  CLAMP.....9                  CLIP.....5, 11                  CLIP, PIPE.....11                  COIL, IGNITION.....17                  COIL, SPARK PLUG CAP.....17                  CONTROL, THROTTLE.....9                  COVER.....5                  COVER, ENGINE.....9                  COVER, MUFFLER.....13, 15                  COVER, PUMP.....5                  COVER, VENT.....11                  CRANKCASE SET.....7                  CRANKSHAFT ASY.....7                  CYLINDER.....7</p> <p><b>D</b></p> <p>DIAPHRAGM.....5                  DIAPHRAGM, FUEL PUMP.....5                  DOWEL PIN.....7                  DRUM, STARTER.....17</p> <p><b>F</b></p> <p>FAN.....9                  FILTER, AIR.....15                  FLYWHEEL.....17</p> <p><b>G</b></p> <p>GASKET KIT.....7, 13                  GASKET, CRANKCASE.....7, 13                  GASKET, CYLINDER BASE.....7, 13                  GASKET, DIAPHRAGM.....5                  GASKET, EXHAUST.....13, 15                  GASKET, FUEL PUMP.....5                  GASKET, FUEL TANK CAP.....11                  GASKET, INTAKE.....13                  GASKET, MUFFLER LID.....13, 15                  GASKET, INTAKE.....15                  GASKET/DIAPHRAGM KIT.....5                  GRID, FAN CASE.....9</p>	<p>GRIP, STARTER.....17                  GROMMET.....11, 17                  GUIDE, ROPE.....17</p> <p><b>H</b></p> <p>HANDLE.....9                  HARNESS.....9                  HUB, FAN.....17</p> <p><b>I</b></p> <p>INSULATOR.....15</p> <p><b>L</b></p> <p>LABEL - MODEL.....9                  LABEL, CAUTION.....9                  LABEL, CHOKE.....15                  LABEL, ECHO.....17                  LABEL, HOT.....9                  LABEL, NOISE.....9                  LEAD.....17                  LEAD, GROUND.....17                  LEVER, THROTTLE.....5                  LID, AIR CLEANER.....15                  LID, MUFFLER.....15                  LONG BLOCK.....7</p> <p><b>M</b></p> <p>MUFFLER.....15                  MUFFLER ASY.....15</p> <p><b>N</b></p> <p>NEEDLE - HIGH SPEED.....5                  NEEDLE - LOW SPEED.....5                  NOZZLE, CHECK VALVE.....5                  NOZZLE, FAN HEAD.....9                  NUT.....15                  NUT 8.....9</p> <p><b>O</b></p> <p>OIL SEAL.....7</p> <p><b>P</b></p> <p>PAWL, STARTER.....17                  PIECE, FRICTION.....5                  PIN.....5                  PIN, PISTON.....7                  PIPE - 3X5X70mm.....11                  PIPE, FUEL - 3X5X180mm.....11                  PIPE, RETURN - 3X6X90mm.....11                  PISTON.....7                  PLATE.....15                  PLATE, PREVENT.....15                  PLUG, WELCH.....5</p> <p><b>R</b></p> <p>REPAIR KIT.....5                  RING.....5, 9                  RING, PISTON.....7                  ROD, THROTTLE.....9                  ROPE, STARTER.....17</p>	<p><b>S</b></p> <p>SCREEN, MUFFLER.....15                  SCREW.....5, 17                  SCREW 4X10.....15                  SCREW 4X18.....9, 17                  SCREW 4X22.....9, 17                  SCREW 5X14.....9                  SCREW 5X16.....11                  SCREW 5X20 - TAPPING.....9                  SCREW 5X22.....7, 15                  SCREW 5X28.....7                  SCREW 5X55.....15                  SCREW 5X65.....15                  SCREW, IDLE ADJUST.....5                  SHAFT, GRID.....9                  SHAFT, THROTTLE.....5                  SHORT BLOCK.....7                  SPACER, PISTON PIN.....7                  SPARK PLUG -- BPM-7A.....17                  SPARK PLUG -- BPMR-7A.....17                  SPRING, COIL.....5                  SPRING, GRID.....9                  SPRING, RETURN.....17                  SPRING, REWIND.....17                  SPRING, THROTTLE RETURN.....5                  STARTER PAWL ASY.....17                  STARTER, ASY.....17                  STRAINER.....5                  STRAINER, FUEL.....11                  SUPPORTER, HANDLE.....9                  SWITCH, IGNITION.....17</p> <p><b>T</b></p> <p>TANK, FUEL.....11                  TUBE.....17                  TUBE, BLOWER - STRAIGHT.....9                  TUBE, DEBRIS.....9</p> <p><b>V</b></p> <p>VALVE, NEEDLE.....5                  VALVE, THROTTLE.....5                  VENT ASY.....11</p> <p><b>W</b></p> <p>WASHER.....9, 17                  WASHER 5.....11, 15                  WASHER 8.....9                  WASHER, SPRING 5.....11                  WING BOLT.....15                  WRENCH, W/SCREWDRIVER.....9</p>
---	---	---



**ECHO, INCORPORATED**

400 Oakwood Road  
Lake Zurich, IL 60047 USA

[WWW.ECHO-USA.COM](http://WWW.ECHO-USA.COM)

---