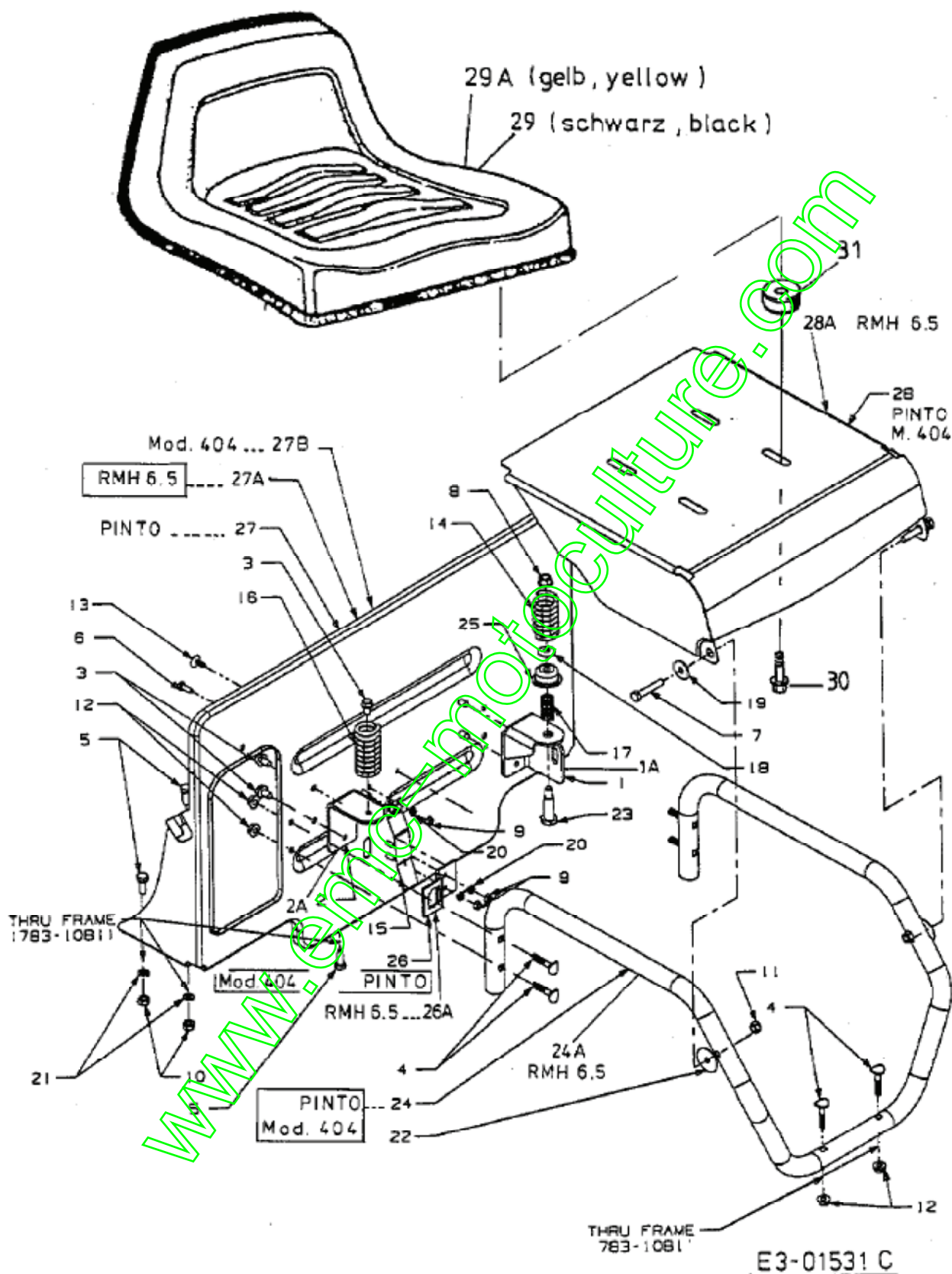


Siège, Support de siège

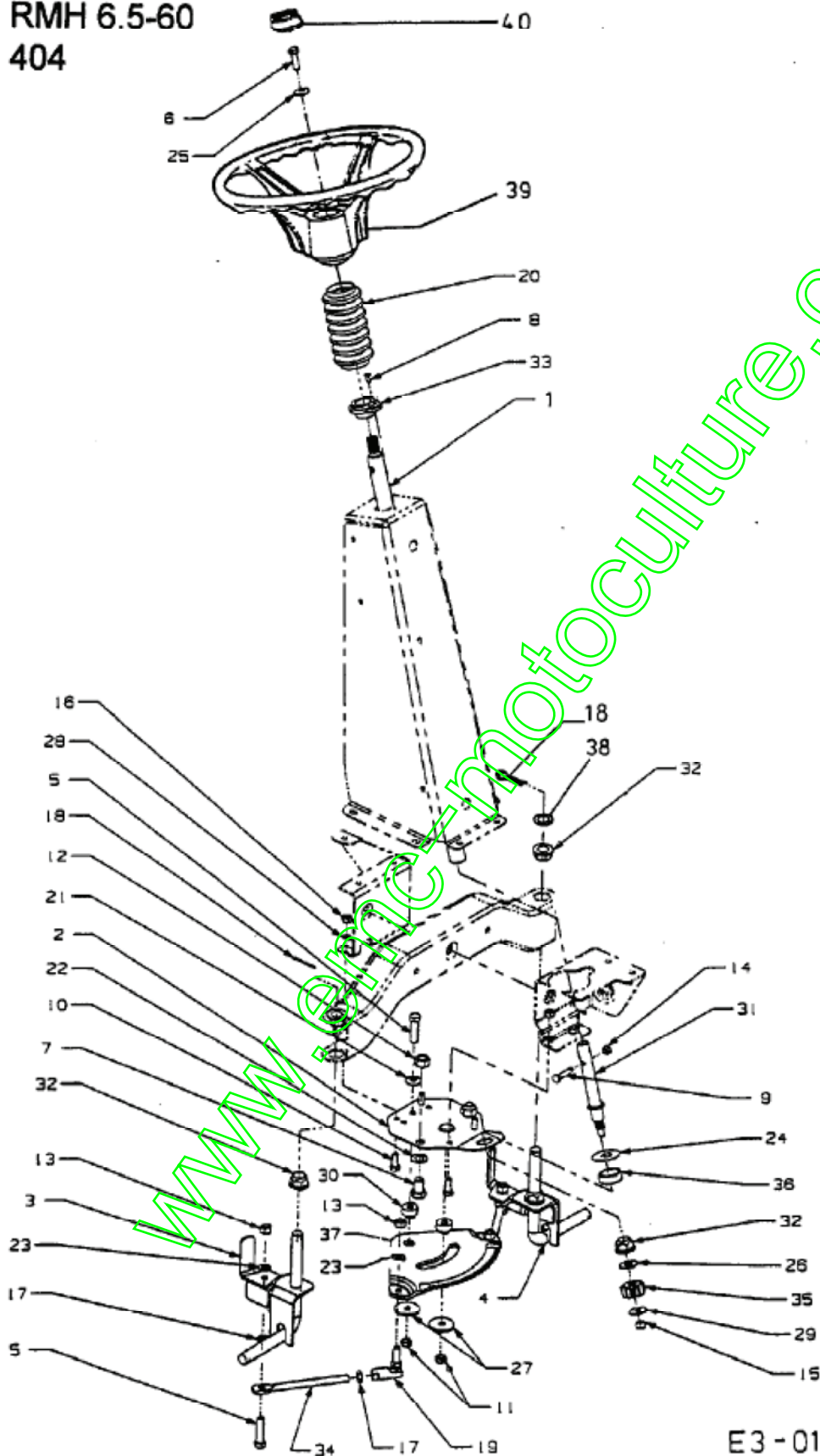


| Position | Numéro de pièce | Quantité | Designation                | DIN | Additional |
|----------|-----------------|----------|----------------------------|-----|------------|
| 1        | 683-0575638     | 1        | SUPPORT DE SIEGE GAUCHE    |     | MTD rouge  |
| 1A       | 683-0575665     | 1        | HALTER VOLLST:TRÄGER LINKS |     | Y.M. Vert  |

|     |             |   |                               |                                |           |
|-----|-------------|---|-------------------------------|--------------------------------|-----------|
| 2   | 683-0576638 | 1 | SUPPORT DE SIEGE DROITE       | MTD-RED                        | MTD rouge |
| 2A  | 683-0576665 | 1 | HALTER VOLLST:TRÄGER RECHTS   | YARD-MAN GREEN                 | Y.M. Vert |
| 3   | 710-0604A   | 5 | VIS 5/16-18:0.625             | FINISH:MTD SPEC-701-01002      |           |
| 4   | 710-1250    | 6 | VIS                           | FINISH:701-01000               |           |
| 5   | 710-1681    | 6 | VIS                           | MTD SPEC-100015 21.1441.70     |           |
| 6   | 710-1690    | 4 | VIS                           | MTD SPEC-100015 21.1441.46     |           |
| 7   | 710-1703    | 2 | VIS                           | MTD SPEC 100015 21.1443.77     |           |
| 8   | 712-0431    | 1 | ÜCROU STOP 3/8-16:GRF         | FINISH:MTD SPEC-100015         |           |
| 9   | 712-0689    | 4 | ÜCROU                         | MTD SPEC-100015 24.1421.14     |           |
| 10  | 712-0690    | 6 | ÜCROU                         | FINISH:MTD701-01000 24.1421.18 |           |
| 11  | 712-0692    | 2 | ÜCROU                         | FINISH:SPEC-100015 24.1426.18  |           |
| 12  | 712-3004A   | 6 | ÜCROU HEX.: 5/16-18:GR5:SD:LK | FINISH:701-01000               |           |
| 13  | 726-3046    | 1 | CLIP DE FIXATION:.250 DIA     | FINISH:SCHWARZ                 |           |
| 14  | 732-0735    | 1 | RESSORT DE SIEGE SUP GAUCHE   | FINISH:PHOS & OIL              |           |
| 15  | 732-0750A   | 1 | LAMELLE: SÉCURITÉ DE BAC      | FINISH:SIEHE ZG.               |           |
| 16  | 732-0996    | 1 | RESSORT DE SIEGE, DROIT       | 1.314 OD X 3.00 LG             |           |
| 17  | 732-0997    | 1 | RESSORT DE SIEGE INF GAUCHE   | .66 OD X 1.5 LG                |           |
| 18  | 736-0105    | 1 | RONDELLE                      | FINISH:MTD SPEC-100016         |           |
| 19  | 736-0289    | 2 | ENTRETOISE                    | 736-0289/936-0289              |           |
| 20  | 736-0648    | 4 | RONDELLE GROWER               | FINISH:SPEC-100016 24.8195.14  |           |
| 21  | 736-0649    | 6 | RONDELLE GROWER DIN 127       | FINISH:SPEC-100015 24.8195.18  |           |
| 22  | 736-0743    | 2 | RONDELLE                      | FINISH:701-100015              |           |
| 23  | 738-1014    | 1 | AXE                           | 738-1014                       |           |
| 24  | 749-1264638 | 1 | ARMATURE SUPPORT DE SIEGE     | MTD-RED                        | MTD rouge |
| 24A | 749-1264665 | 1 | YARD-MAN GREEN                | YARD-MAN GREEN                 | Y.M. Vert |
| 25  | 783-0733    | 1 | ENTRETOISE                    | 783-0733                       |           |
| 26  | 783-0931638 | 1 | SUPPORT DE SECURITE           | 400er HYD E-DECK / MTD-RED     | MTD rouge |
| 26A | 783-0931665 | 1 | HALTEWINKEL FÜR S-SCHALTER    | 400er HYD E-DECK / YM-GREEN    | Y.M. Vert |
| 27  | 783-1118638 | 1 | PLAQUE ARRIERE                | MTD-RED                        | MTD rouge |
| 27A | 783-1118665 | 1 | 783-06049                     | YARD-MAN GREEN                 | Y.M. Vert |
| 27B | 783-04005   | 1 | W/CHOKE                       | W/CHOKE F564.023.00            |           |
| 28  | 783-1144638 | 1 | SUPPORT DE SIEGE              | MTD-RED                        | MTD rouge |
| 28A | 783-1144665 | 1 | YARD-MAN GREEN                | YARD-MAN GREEN                 | Y.M. Vert |
| 29  | 757-0378    | 1 | SIEGE NOIR                    | 757-0378/957-0378              |           |
| 29A | 757-0365A   | 1 | SIEGE JAUNE MOYEN             | E-TEIL-SET                     |           |
| 30  | 710-1315    | 4 | VIS HEX.TT:3/8-16:1.25:HXIN:S | FINISH:MTD SPEC-701-01002      |           |
| 31  | 738-04008   | 4 | FINISH:GEÖLT                  | FINISH:GEÖLT                   |           |

Système direction, Essieu avant

PINTO  
RMH 6.5-60  
404



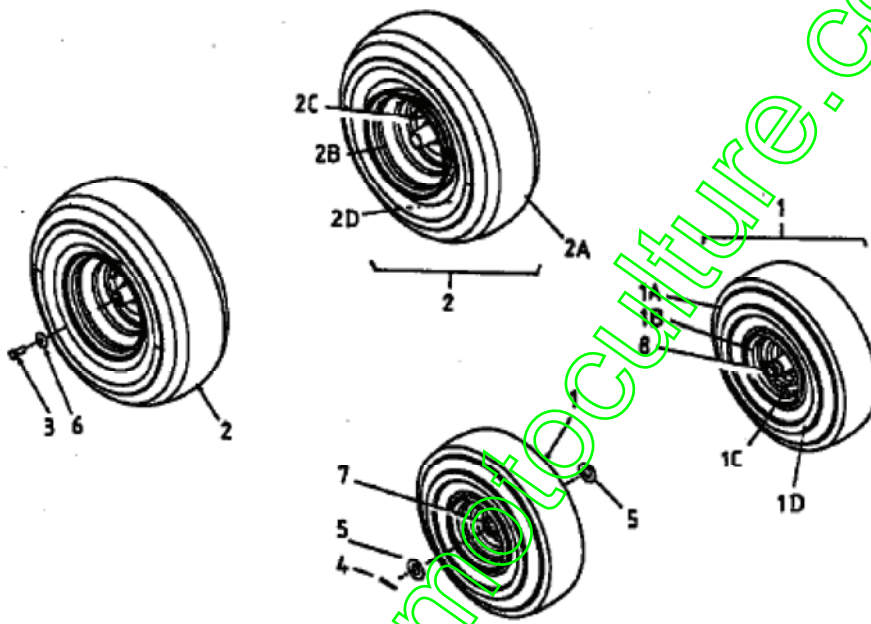
E3 - 01532 B

| Position | Numéro de pièce | Quantité | Designation                    | DIN                            | Additional |
|----------|-----------------|----------|--------------------------------|--------------------------------|------------|
| 1        | 650-0007        | 1        | COLONNE DE DIRECTION           | 650-0007-0637                  |            |
| 2        | 683-0033A       | 1        | SUPPORT ARBRE DE DIRECTION CO  | FINISH:SIEHE ZG. SCHWEIßTEIL   |            |
| 3        | 683-0178A637    | 1        | AXE AVANT DROIT                | 683-0178A637 SCHWEIßTEIL       |            |
| 4        | 683-0179A637    | 1        | AXE AVANT GAUCHE               | 683-0179A637 SCHWEIßTEIL       |            |
| 5        | 710-0459A       | 3        | VIS HEX.: 3/8-24:1.50:GR5:SPEC | SPEC:FINISH MTD STD 701-01000  |            |
| 6        | 710-0643        | 1        | VIS HEX.: 5/16-18:1.00:GR5     | LOCTITE MICROVERKAPSELT        |            |
| 7        | 710-0689        | 2        | VIS HEX. HHCS:1/2-13.:75NYLON  | FINISH:                        |            |
| 8        | 710-0837        | 1        | VIS                            | FINISH:MTD STD 701-01002       |            |
| 9        | 710-0958        | 1        | VIS                            | FINISH:701-01000               |            |
| 10       | 710-1681        | 4        | VIS                            | MTD SPEC-100015 21.1441.70     |            |
| 11       | 712-0116        | 2        | ÉCROU HEXAGONALE: 3/8-24:GR5:  | FINISH:701-01000               |            |
| 12       | 712-0206        | 2        | ÉCROU HEX. 1/2-13:GR.5         | FINISH:MTD STD 701-01000       |            |
| 13       | 712-0241        | 4        | ÛCROU HEX.: 3/8-24:GR5         | FINISH:MTD STD 701-01000       |            |
| 14       | 712-0324        | 1        | ÛCROU HEX.:1/4-20:GR8:NYLON    | FINISH:701-01000               |            |
| 15       | 712-0411        | 1        | ÉCROU HEXAGONAL                | FINISH:701-01000               |            |
| 16       | 712-0690        | 4        | ÛCROU                          | FINISH:MTD701-01000 24.1421-18 |            |
| 17       | 712-3001        | 4        | ECROU                          | FINISH:SIEHE ZG. 912-3001      |            |
| 18       | 714-0470        | 2        | EPINGLE EX AF-43010            | FINISH:SPEC-100015 470 32 32   |            |
| 19       | 723-0156        | 2        | ROTULE DE DIRECTION 3/8-24     | GELBVERZINKT 923-0156          |            |
| 20       | 731-0559B       | 1        | SOUFFLET DE VOLANT             | 731-0559B                      |            |
| 21       | 736-0105        | 1        | RONDELLE                       | FINISH:MTD SPEC-100016         |            |
| 22       | 736-0160        | 2        | RONDELLE 536 IDX.930ODX.050    | FINISH:MTD SPEC-100015         |            |
| 23       | 736-0169        | 4        | RONDELLE                       | FINISH:MTD SPEC-100016         |            |
| 24       | 736-0196        | 1        | RONDELLE                       | FINISH:701-01000               |            |
| 25       | 736-0242        | 1        | RONDELLE.:340X.872X.060        | FINISH:MTD STD 701-01001       |            |
| 26       | 736-0272        | 1        | RONDELLE .510x1.00X.060        | FINISH:MTD-SPEC 101616         |            |
| 27       | 736-0320        | 2        | RONDELLE PLATE .38x1.38x.125   | FINISH:701-01000               |            |
| 28       | 736-0649        | 4        | RONDELLE GROWER DIN 127        | FINISH:SPEC-100015 24.8195.18  |            |
| 29       | 736-3078        | 1        | RONDELLE .344 x 1.00 x .063:HT | FINISH:701-01001               |            |
| 30       | 738-0541        | 2        | MANCHON SUPPORT BRIDE          | 738-0541 / 938-0541            |            |
| 31       | 738-3089A       | 1        | AXE DE DIRECTION INFÉRIEUR     | .625 DIA x 5.62LG GELBVERZINKT |            |
| 32       | 741-0225        | 5        | BAGUE HEXAGONALE TEFLON 6 PANS | FINISH:Schwarz                 |            |
| 33       | 741-0356        | 1        | BAGUE DE VOLANT                | Schwarz                        |            |
| 34       | 747-0955        | 2        | TIGE                           | FINISH:SIEHE ZG.               |            |
| 35       | 748-0290        | 1        | PIGNON                         | 748-0290 / 948-0290            |            |
| 36       | 750-0532        | 1        | ENTRETOISE 980DX1.250DX.0420   |                                |            |
| 37       | 783-1302        | 1        | ZAHNSEGMENT LENKUNG            |                                |            |
| 38       | 736-0187        | 4        | RONDELLE .64x1.24X.06          | FINISH:701-01001               |            |
| 39       | 731-1693        | 1        | VOLANT 12" 3 RAYONS            |                                |            |
| 40       | 731-0220        | 1        | COUVERCLE / VOLANT             | 731-0220                       |            |

Roues

RMH 6.5-60  
PINTO  
PINTO E-START  
404

13B6064-628  
13B6064-600  
13B4064-678  
13B4065-611



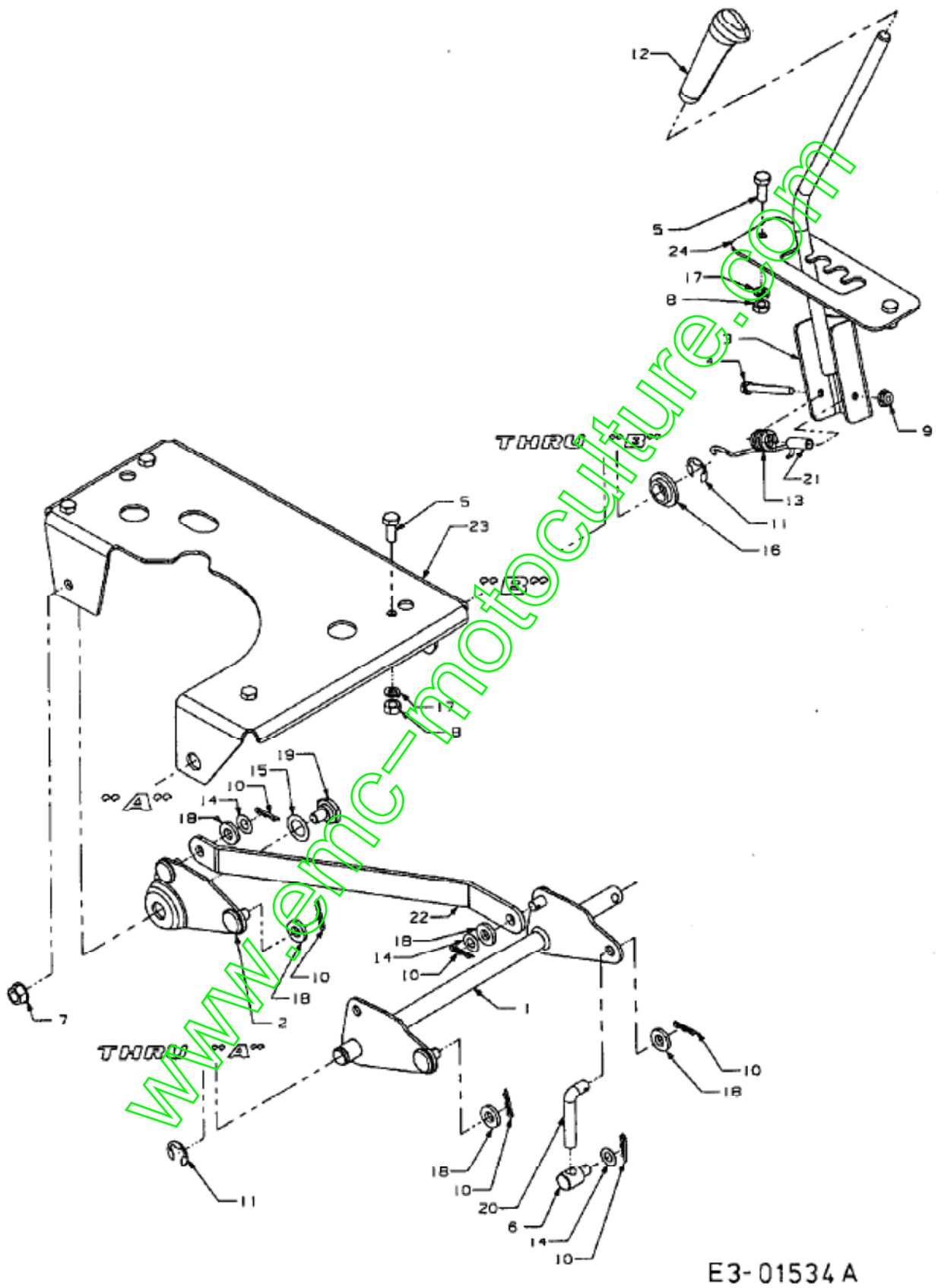
E3-01533B

|           |  |  |  |  |
|-----------|--|--|--|--|
| Numéro de |  |  |  |  |
|-----------|--|--|--|--|

| Position | pièce       | Quantité | Designation                    | DIN                            | Additional                            |
|----------|-------------|----------|--------------------------------|--------------------------------|---------------------------------------|
| 1        | 634-0169A   | 2        | ROUE COMPLETE AVANT 11X400X4   | KUNSTOFFLAGER 634-0169A-0941   |                                       |
| 1A       | 734-1382    | 2        | PNEU                           | 734-1382-0901                  |                                       |
| 1B       | 634-0170662 | 2        | JANTE                          | KUNSTOFFLAGER                  |                                       |
| 1C       | 734-0255    | 2        | VALVE                          | TR 412-P / 32.6mm / 934-0255   |                                       |
| 1D       | 734-0211    | 2        | CHAMBRE A AIR 11/12X400X4      | 734-0211 4.10/3.50-4 TR87      |                                       |
| 2        | 634-0212    | 2        | ROUE COMPLETE 13X500X6         | 634-0212662                    |                                       |
| 2A       | 734-0298    | 2        | PNEU 13*500*6                  | 734-0298-0901/-0902 000.75.551 |                                       |
| 2B       | 634-0211662 | 2        | JANTE 6.00 x 4.50              | GESCHWEISST                    |                                       |
| 1C       | 734-0255    | 2        | VALVE                          | TR 412-P / 32.6mm / 934-0255   |                                       |
| 2D       | 734-0336    | 2        | CHAMBRE A AIR 13X500X6         | 734-0336 4.10/3.50-6 TR87      |                                       |
| 3        | 710-0627    | 2        | VIS HEX. 5/16-24.:750 GR5:LOCK | FINISH:701-01000               |                                       |
| 4        | 714-0115    | 2        | GOUPILLE FENDUE 1/8 x 1.0      | FINISH:MTD SPEC-100015         |                                       |
| 5        | 736-0187    | 4        | RONDELLE .64X1.24X.06          | FINISH:701-01001               |                                       |
| 6        | 736-0242    | 2        | RONDELLE.:340X.872X.060        | FINISH:MTD STD 701-01001       |                                       |
| 7        | 741-0487A   | 2        | BAGUE DE ROUE AVANT            | 741-0487A (BR.748-0184)        | Roulement de plastique                |
| 8        | 741-0706    | 2        | BAGUE ROUE AVANTAVEC GRAISSEUR | MIT SCHMIERNIPPEL              | Roulement de plastique avec graissage |

www.emc-motoculture.com

Relevage plateau de coupe



E3-01534 A

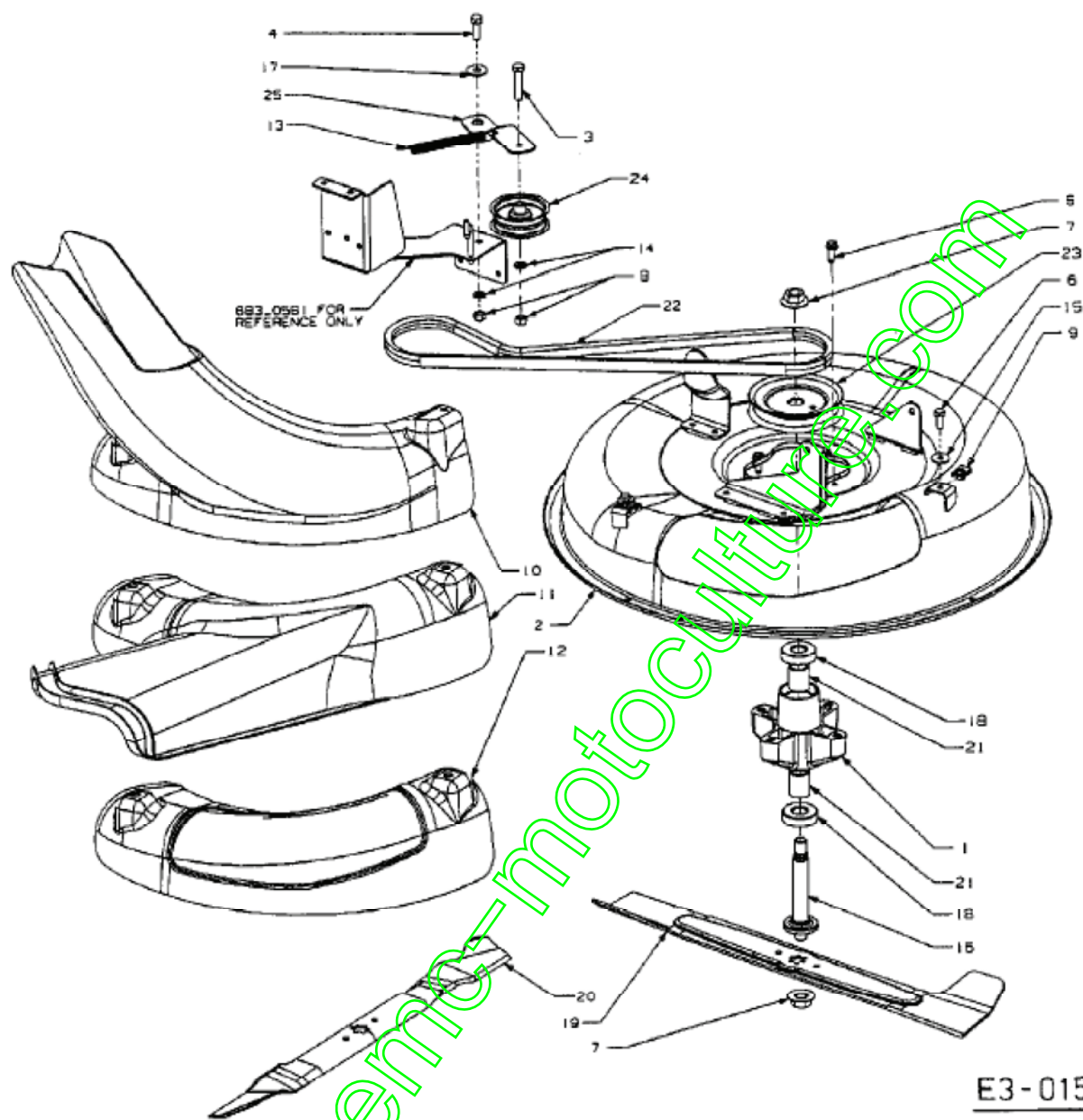
| Position | Numéro de pièce | Quantité | Designation | DIN | Additional |
|----------|-----------------|----------|-------------|-----|------------|
|----------|-----------------|----------|-------------|-----|------------|

|    |             |   |                               |                                |  |
|----|-------------|---|-------------------------------|--------------------------------|--|
| 1  | 683-0441-Z  | 1 | ARBRE DE RELEVAGE AVANT       | FINISH:VERZINKT                |  |
| 2  | 683-0442-Z  | 1 | SUPPORT                       |                                |  |
| 3  | 683-0448-Z  | 1 | LEVIER HAUTEUR DE COUPE       | (GRIFF-AUSHEBUNG)              |  |
| 4  | 710-0641    | 1 | VIS HEXAGONALE                | FINISH:701-01000               |  |
| 5  | 710-1681    | 6 | VIS                           | MTD SPEC-100015 21.1441.70     |  |
| 6  | 711-0832    | 1 | ECROU                         | FINISH:701-01006 911-0832      |  |
| 7  | 712-0431    | 1 | ÛCROU STOP 3/8-16:GRF         | FINISH:MTD SPEC-100015         |  |
| 8  | 712-0690    | 6 | ÛCROU                         | FINISH:MTD701-01000 24.1421.18 |  |
| 9  | 712-3027    | 1 | ÛCROU HEXAGONALE 1/4-20:GRF   | FINISH:MTD STD 701-01000       |  |
| 10 | 714-0104    | 6 | GOUPILLE                      | FINISH:PHOS AND OIL            |  |
| 11 | 716-0106    | 2 | CIRCLIPS                      | FINISH:ÖL BENETZT              |  |
| 12 | 731-2509    | 1 | POMMEAU RELEVAGE DE COUPE     | FINISH:Schwarz                 |  |
| 13 | 732-1020    | 1 | RESSORT                       |                                |  |
| 14 | 736-0314    | 3 | RONDELLE                      | FINISH:701-01001               |  |
| 15 | 736-0336    | 1 | RONDELLE 5/8X1.00X.030        | ZINC SIEHE ZG.                 |  |
| 16 | 736-0341B   | 1 | RONDELLE                      | .628 ID X .883                 |  |
| 17 | 736-0649    | 6 | RONDELLE GROWER DIN 127       | FINISH:SPEC-100015 24.8195.18  |  |
| 18 | 736-3010    | 5 | RONDELLE                      | FINISH:MTD STD 701-01001       |  |
| 19 | 738-0281    | 1 | VIS À ÉPAULE:.625 x.17:3/8-16 | 938-0281/ FINISH:ZINK SIEHE ZG |  |
| 20 | 747-1247-Z  | 1 | GOUPILLE                      | Ø10mm X 55mm LG VERZINKT       |  |
| 21 | 750-0566A   | 1 | ENTRETOISE                    | FINISH:VERZINKT SIEHE ZG.      |  |
| 22 | 783-1136-Z  | 1 | BARRE                         | VERZINKT                       |  |
| 23 | 783-1138637 | 1 | KONSOLE-AUFHÄNGUNG            |                                |  |
| 24 | 783-1143    | 1 | SELECTEUR HAUTEUR DE COUPE    |                                |  |

www.emc-motoculture.com



Plateau de coupe 60,5cm, 3 en 1



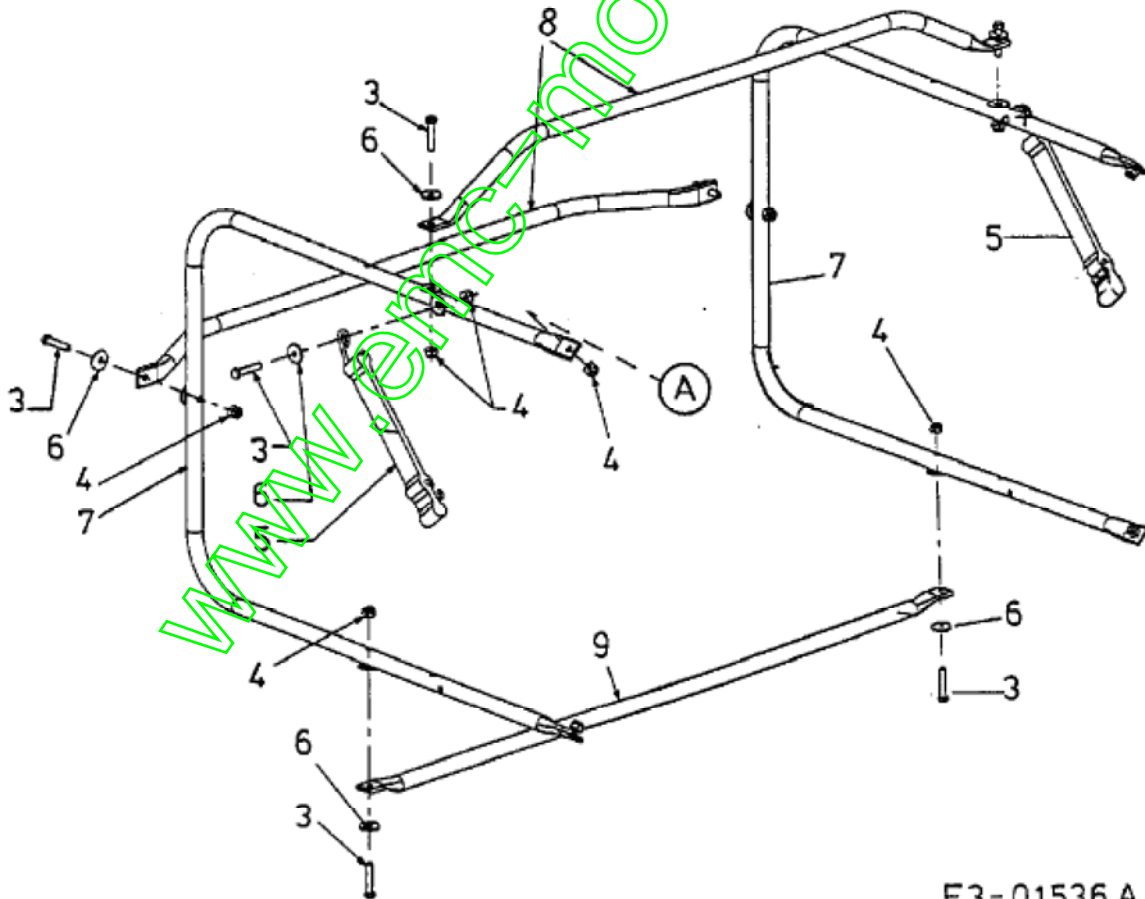
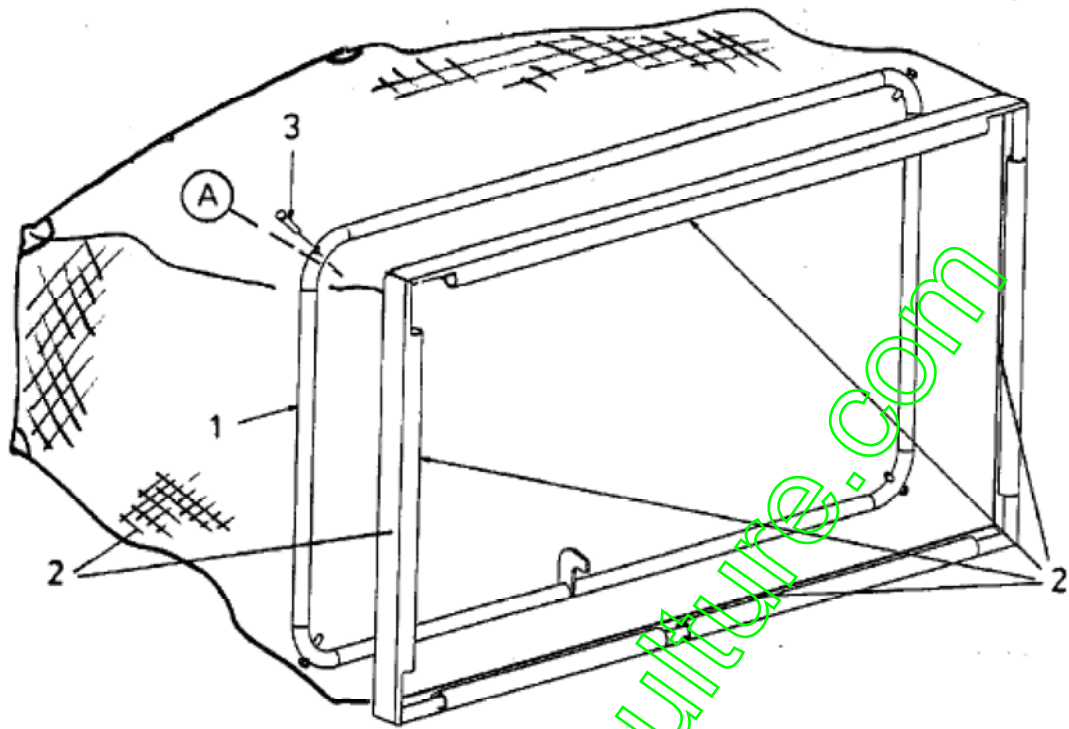
E3-01535 A

| Position | Número de pièce | Quantité | Designation                  | DIN                            | Additional |
|----------|-----------------|----------|------------------------------|--------------------------------|------------|
| 1        | 619-0020        | 1        | PALIER DE LAME               | FINISH:NONE                    |            |
| 2        | 683-0439637     | 1        | CARTER DE COUPE              | SCHWEISSTEIL                   |            |
| 3        | 710-0347        | 1        | VIS HEX. 3/8-16:1.75:GR5:STD | FINISH:701-01000               |            |
| 4        | 710-0514        | 1        | VIS HEX.:3/8-16:1.00:GR5:STD | FINISH:MTD STD 701-01000       |            |
| 5        | 710-0650        | 4        | VIS HEX.:TT:5/16-18:0.875    | FINISH:MTD SPEC-701-01002      |            |
| 6        | 710-1681        | 2        | VIS                          | MTD SPEC-100015 21.1441.70     |            |
| 7        | 712-0417A       | 2        | ÛCROU HEX. AV. FLANC: 5/8-18 | FINISH:701-01000               |            |
| 8        | 712-3017        | 2        | ÛCROU HEXAGONAL              | FINISH:701-01000               |            |
| 9        | 726-0365        | 2        | ÛCROU À CAGE                 | BESTELL-Nr.BM 53313 000.02.520 |            |
| 10       | 731-2361        | 1        | CANAL D'ÛJECTION             | FINISH:SCHWARZ                 |            |
| 11       | 731-2477        | 1        | DEFLECTEUR                   |                                |            |
| 12       | 731-2505        | 1        | BOUCHON MULCHING             | DX 60                          |            |
| 13       | 732-0814        | 1        | RESSORT                      | FINISH:SIEHE ZG.               |            |
| 14       | 736-0169        | 2        | RONDELLE                     | FINISH:MTD SPEC-100016         |            |
| 15       | 736-0701        | 2        | RONDELLE                     | MTD SPEC-100015 24.6486.18     |            |

|    |           |   |                                |                       |  |
|----|-----------|---|--------------------------------|-----------------------|--|
| 16 | 738-0933  | 1 | AXE DE PALIER DE LAME          | FINISH:GEÖLT          |  |
| 17 | 738-0968  | 1 | ENTRETOISE ,380 ID x 1,12 OD   | FINISH:GEÖLT 938-0968 |  |
| 18 | 741-0919  | 2 | ROULEMENT j BILLES             | FINISH:SIEHE SPEC.    |  |
| 19 | 742-0667  | 1 | LAME EXTRA SOUFFLANTE 60CM     | FINISH:SIEHE ZG.      |  |
| 20 | 742-0760  | 1 | LAME MULCHING COUPE 60CM       |                       |  |
| 21 | 750-1000  | 2 | DOUILLE DE DIS...80x1.10x1.330 | FINISH:GEÖLT          |  |
| 22 | 754-0495  | 1 | COURROIE DE LAME COUPE 60CM    |                       |  |
| 23 | 756-0969  | 1 | POULIE DE PLATEAU              | 756-0969              |  |
| 24 | 756-0981A | 1 | POULIE TENDEUR 2.75 OD         | 756-0981A             |  |
| 25 | 783-1122  | 1 | SUPPORT                        | SCHWARZ GEPULVERT     |  |

[www.emc-motoculture.com](http://www.emc-motoculture.com)

Bac de réception de l'herbe

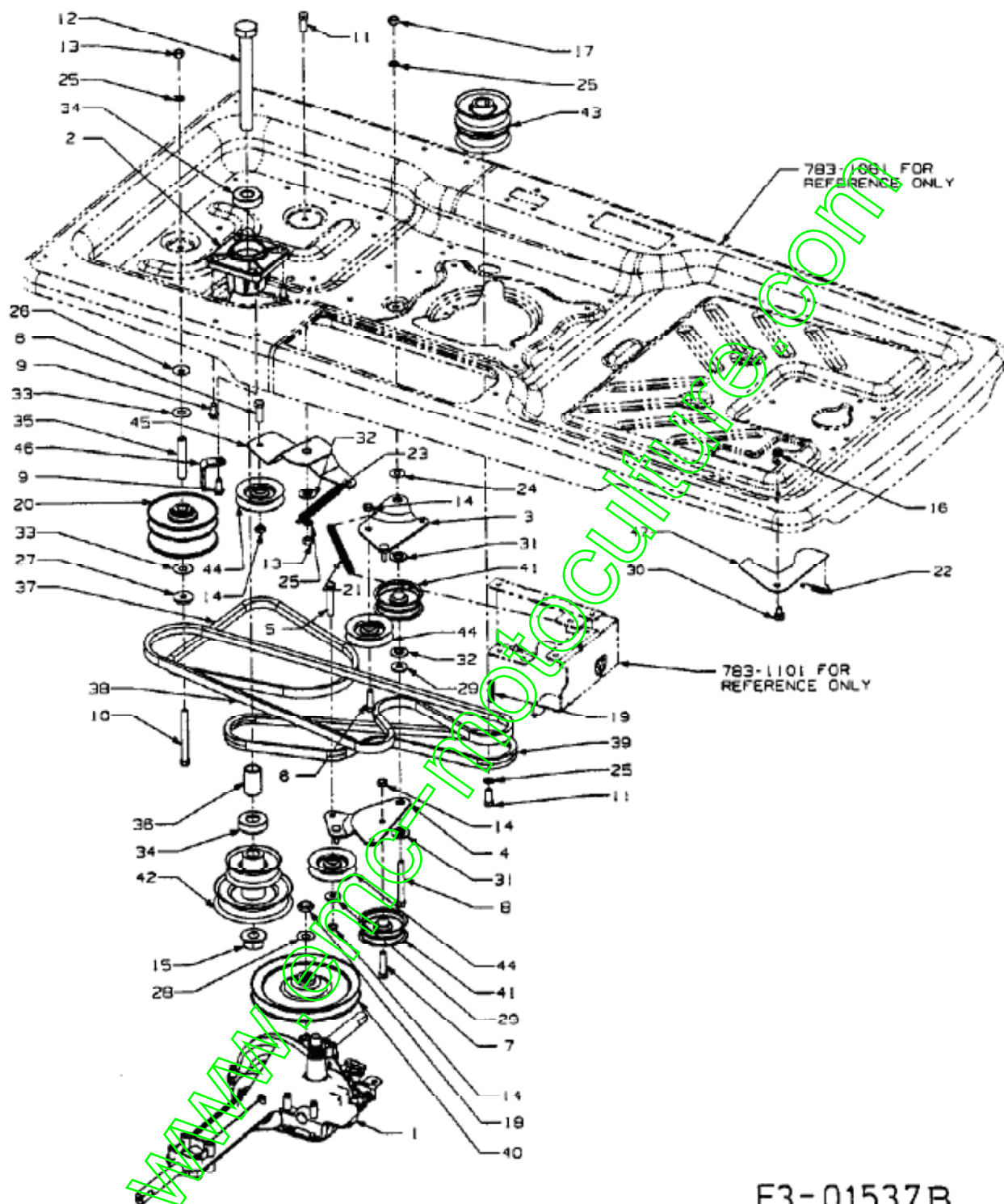


E3-01536 A

| Position | Numéro de pièce | Quantité | Designation                   | DIN                      | Additional |
|----------|-----------------|----------|-------------------------------|--------------------------|------------|
| 1        | 649-0126637     | 1        | CADRE DE BAC                  | DX 60                    |            |
| 2        | 664-0107        | 1        | SAC PINTO                     |                          |            |
| 3        | 710-1194        | 12       | VIS                           | FINISH:701-01000         |            |
| 4        | 712-0161        | 12       | ECROU #10-24 NYLSTOP GR       | FINISH:MTD STD 701-01000 |            |
| 5        | 723-0383        | 2        | SANGLE POUR GOULOTTE D'EJECTI | FINISH:                  |            |
| 6        | 736-0400        | 8        | RONDELLE PLATE .194x.62x.063  | FINISH:701-01000         |            |
| 7        | 749-1260637     | 2        | TUYAU LATERAL                 |                          |            |
| 8        | 749-1262637     | 2        | HOLMGRIF 0.50 X 16GA X 25.08  |                          |            |
| 9        | 749-1269637     | 1        | ROHR 13mm DIA X 630 (24.742") |                          |            |

[www.emc-motoculture.com](http://www.emc-motoculture.com)

Entraînement de roulement, Poulie moteur

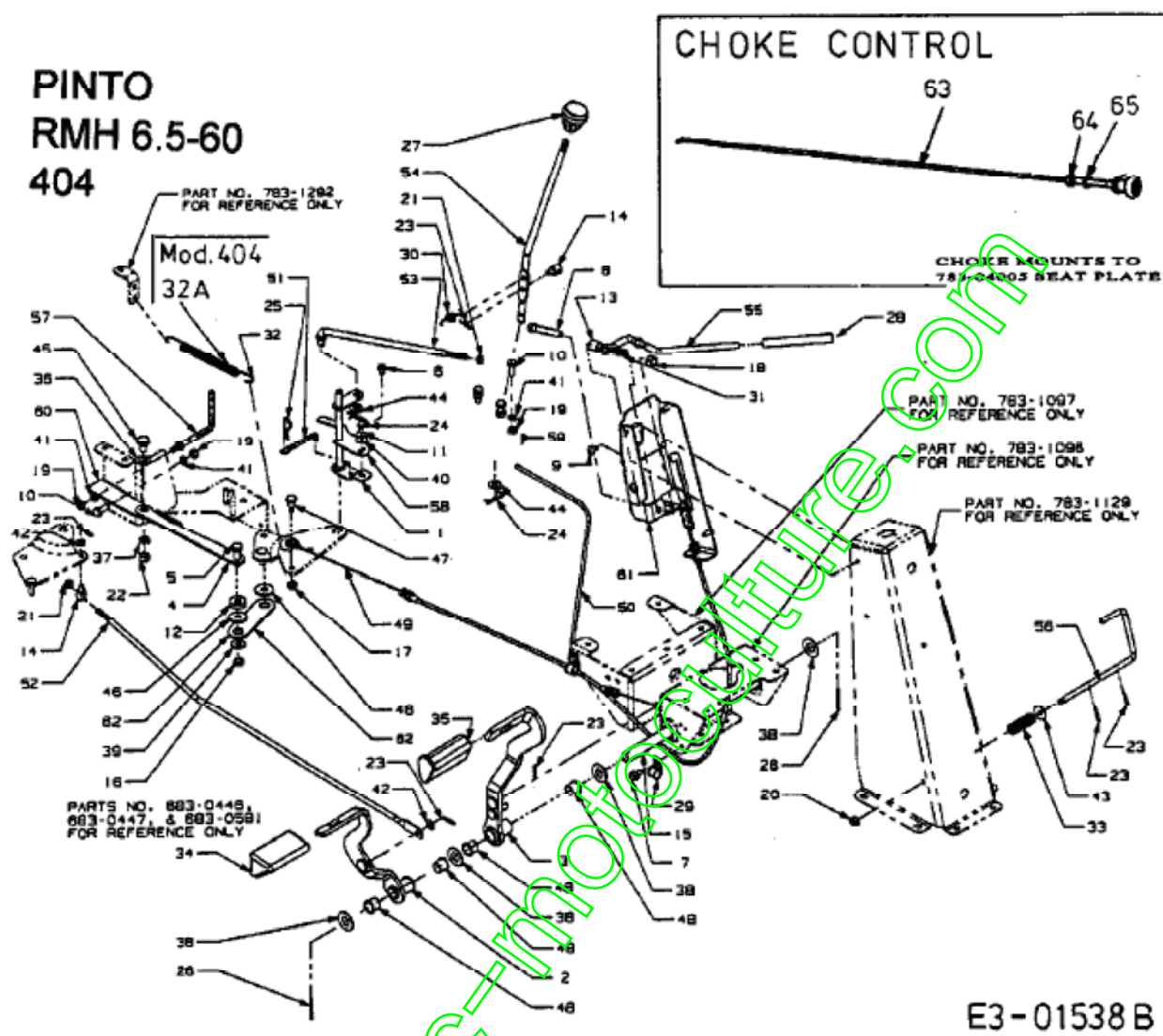


**E3-01537B**

| Position | Numéro de pièce | Quantité | Designation                   | DIN                        | Additional |
|----------|-----------------|----------|-------------------------------|----------------------------|------------|
| 1        | 618-0564        | 1        | DIFFERENTIEL                  | SINGLE SPEED TRANSMISSION  |            |
| 2        | 619-0011        | 1        | PALIER                        |                            |            |
| 3        | 683-0446        | 1        | SUPPORT                       | UNTEN VERZINKT SCHWEIßTEIL |            |
| 4        | 683-0447        | 1        | SUPPORT                       | PTO SCHWEIßTEIL            |            |
| 5        | 710-0539        | 1        | VIS                           | STD FINISH:701-01000       |            |
| 6        | 710-0191        | 1        | VIS HEX. 3/8-24:1.25:GR8:SPEC | FINISH:701-01000           |            |

|    |            |   |                                |                                |                               |
|----|------------|---|--------------------------------|--------------------------------|-------------------------------|
| 7  | 710-0459A  | 1 | VIS HEX.: 3/8-24:1.50:GR5:SPEC | SPEC:FINISH MTD STD 701-01000  |                               |
| 8  | 710-0521   | 1 | VIS HEX.:3/8-16:3.00:GR8:STD   | FINISH:701-01000               |                               |
| 9  | 710-0650   | 4 | VIS HEX.:TT:5/16-18:0.875      | FINISH:MTD SPEC-701-01002      |                               |
| 10 | 710-0902   | 1 | VIS HHCS:3/8-24:3.75GR5:STD    | FINISH:MTD STD 701-01000       |                               |
| 11 | 710-1039   | 2 | VIS                            | FINISH:MTD STD 701-01000       |                               |
| 12 | 710-1812   | 1 | SCHRAUBE M20 X 2.5:180 LG      |                                |                               |
| 13 | 712-0241   | 2 | ÛCROU HEX.: 3/8-24:GR5         | FINISH:MTD STD 701-01000       |                               |
| 14 | 712-0296   | 4 | ECROU                          | FINISH:701-01000               |                               |
| 15 | 712-0695   | 1 | ËCROU M20-2,5 DIN 6923-8       | DIN 6923-8 FINISH:701-01000    |                               |
| 16 | 712-3004A  | 1 | ÛCROU HEX.: 5/16-18:GR5:SD:LK  | FINISH:701-01000               |                               |
| 17 | 712-3017   | 1 | ÛCROU HEXAGONAL                | FINISH:701-01000               |                               |
| 18 | 712-3035   | 1 | ÛCROU HEXAGONAL                | FINISH:701-01000 912-3035      |                               |
| 19 | 714-0133   | 1 | CLAVETTE 3/16X1,5"             | 714-0133/914-0133              |                               |
| 20 | 717-0884   | 1 | POULIE VARIATEUR/TOURS COMPL   | FINISH:SCHWARZ OXID            |                               |
| 21 | 732-0308   | 1 | RESSORT                        | FINISH:PHOS & OIL              |                               |
| 22 | 732-0418   | 1 | RESSORT                        | FINISH:SIEHE ZG                |                               |
| 23 | 732-0814   | 1 | RESSORT                        | FINISH:SIEHE ZG.               |                               |
| 24 | 736-0101   | 1 | RONDELLE                       | FINISH:701-01000               |                               |
| 25 | 736-0169   | 4 | RONDELLE                       | FINISH:MTD SPEC-100016         |                               |
| 26 | 736-0219   | 1 | RONDELLE                       | FINISH:701-01001               |                               |
| 27 | 736-0247   | 1 | RONDELLE 40 X 1.25X .157"      | FINISH:701-01001               |                               |
| 28 | 736-0427   | 1 | RONDELLE                       | FINISH:701-01001               |                               |
| 29 | 736-3052   | 2 | RONDELLE                       | FINISH:701-01008               |                               |
| 30 | 738-0155   | 1 | VIS EPAULEE                    | MTD STD 701-01000 938-0155     |                               |
| 31 | 738-0347   | 2 | RONDELLE   EMB. .625IDx.169    | FINISH:                        |                               |
| 32 | 738-0968   | 2 | ENTRETOISE ,380 ID x 1,12 OD   | FINISH:GEÖLT 938-0968          |                               |
| 33 | 741-0405   | 2 | ENTRETOISE 56ID X 1,25 OD X .  | .56 ID x 1.25 OD x.06/941-0405 |                               |
| 34 | 741-0919   | 2 | ROULEMENT   BILLES             | FINISH:SIEHE SPEC.             |                               |
| 35 | 750-0705   | 1 | ENTRETOISE                     | FINISH:GEHÄRTET                |                               |
| 36 | 750-0952   | 1 | ENTRETOISE                     |                                |                               |
| 37 | 754-0453   | 1 | COURROIE DE TRANSMISSION       | POLY 954-0453                  | Variateur -> boite de vitesse |
| 38 | 754-0493   | 1 | COURROIE VARIATEUR/BOITE       | POLY                           | Moteur à variateur            |
| 39 | 754-0494   | 1 | COURROIE EMBRAYAGE DE LAME     | POLY                           |                               |
| 40 | 756-0650   | 1 | POULIE TRANSMISSION            | 7.0 x 5/8-36 FINISH:SIEHE ZG.  |                               |
| 41 | 756-0981A  | 2 | POULIE TENDEUR 2.75 OD         | 756-0981A                      |                               |
| 42 | 756-1195   | 1 | POULIE DOUBLE                  |                                |                               |
| 43 | 756-1200   | 1 | POULIE MOTEUR                  |                                |                               |
| 44 | 756-1207   | 3 | POULIE TENDEUR                 | 5LX3.06 DIA                    |                               |
| 45 | 783-0528   | 1 | SUPPORT VARIATEUR              | GETRIEBE FINISH:SIEHE ZG.      |                               |
| 46 | 783-1292   | 1 | SUPPORT CABLE                  | FINISH:PAINT                   |                               |
| 47 | 783-1341-Z | 1 | SUPPORT                        | VERZINKT                       |                               |

Commande de choke, Pedales



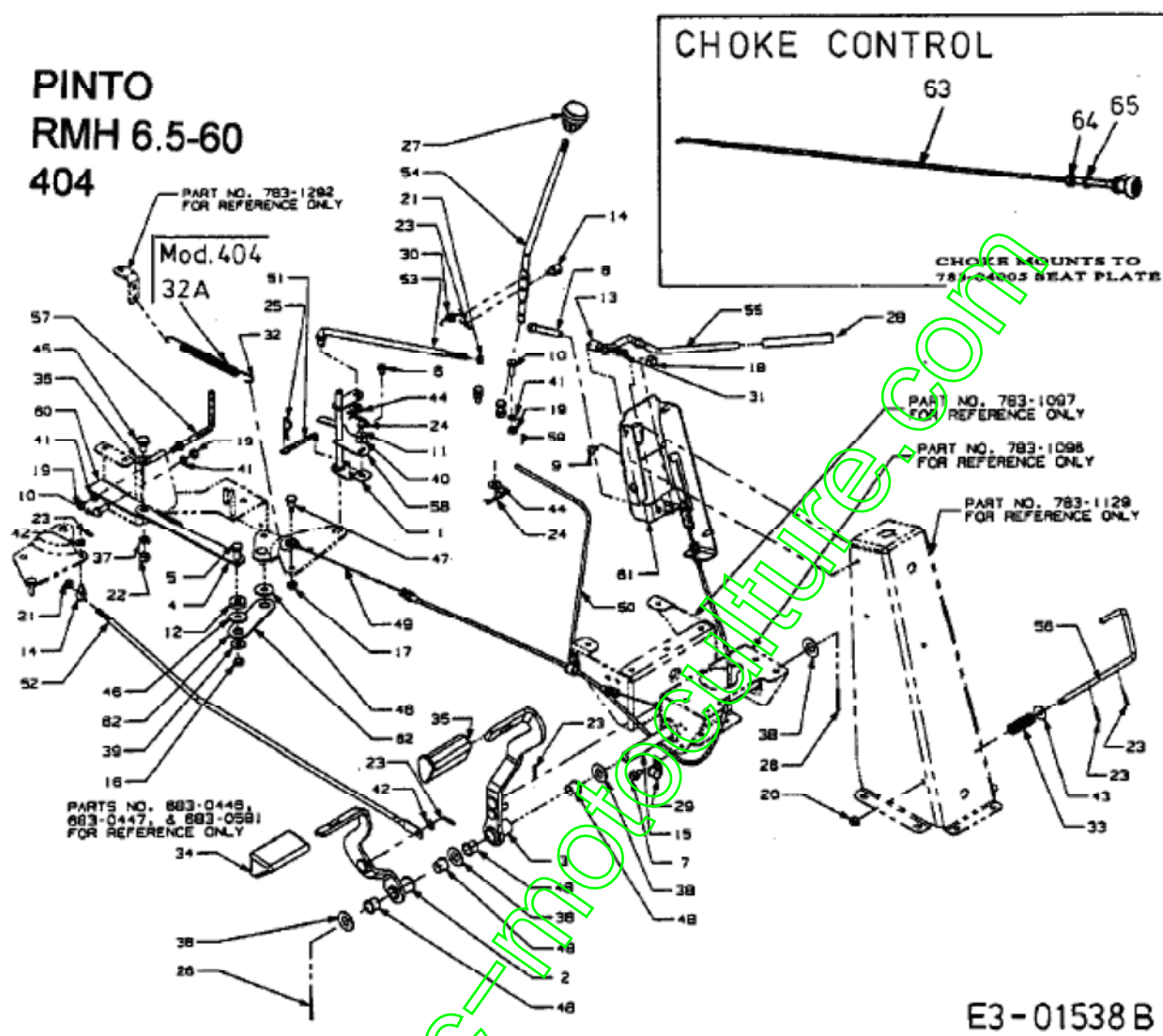
E3-01538 B

| Position | Numéro de pièce | Quantité | Designation                   | DIN                            | Additional |
|----------|-----------------|----------|-------------------------------|--------------------------------|------------|
| 1        | 647-0055-Z      | 1        | VERZINKT                      | VERZINKT                       |            |
| 2        | 683-0432        | 1        | PEDALE EMBRAYAGE              | SCHWEIßTEIL                    |            |
| 3        | 683-0433        | 1        | PÉDALE DE FREIN               | SCHWEIßTEIL                    |            |
| 4        | 683-0592        | 1        | TIRANT                        | SCHWEIßTEIL 7ym VERZINKT       |            |
| 5        | 710-0191        | 1        | VIS HEX. 3/8-24:1.25:GR8:SPEC | FINISH:701-01000               |            |
| 6        | 710-0599        | 1        | VIS                           | FINISH:MTD SPEC-701-01002      |            |
| 7        | 710-0604A       | 2        | VIS 5/16-18:0.625             | FINISH:MTD SPEC-701-01002      |            |
| 8        | 710-0859        | 1        | VIS HEX. 3/8-16:2.50:GR5:STD  | FINISH:701-01000               |            |
| 9        | 710-1017        | 2        | VIS                           | FINISH:MTD SPEC-100016         |            |
| 10       | 710-1681        | 4        | VIS                           | MTD SPEC-100015 21.1441.70     |            |
| 11       | 710-3013        | 1        | VIS HEXAGONALE                | FINISH:MTD STD 701-01000       |            |
| 12       | 711-0242        | 1        | ENTRETOISE                    | 711-0242                       |            |
| 13       | 711-0396        | 1        | DOUILLE / ENTRETOISE 38X62X7  | 711-0396                       |            |
| 14       | 711-1155        | 2        | AXE                           |                                |            |
| 15       | 711-1531        | 1        | ARBRE                         |                                |            |
| 16       | 712-0296        | 1        | ECROU                         | FINISH:701-01000               |            |
| 17       | 712-0380        | 1        | ÉCROU HEX.:1/4-28:GRF         | FINISH:701-01000               |            |
| 18       | 712-0431        | 1        | ÛCROU STOP 3/8-16:GRF         | FINISH:MTD SPEC-100015         |            |
| 19       | 712-0690        | 5        | ÛCROU                         | FINISH:MTD701-01000 24.1421.18 |            |
| 20       | 712-3004A       | 1        | ÛCROU HEX.: 5/16-18:GR5:SD:LK | FINISH:701-01000               |            |

|     |            |   |                                |                                |         |
|-----|------------|---|--------------------------------|--------------------------------|---------|
| 21  | 712-3007   | 2 | ÛCROU HEX. 5/16-18 GR5         | FINISH:MTD STD 701-01000       |         |
| 22  | 712-3017   | 1 | ÛCROU HEXAGONAL                | FINISH:701-01000               |         |
| 23  | 714-0104   | 6 | GOUPILLE                       | FINISH:PHOS AND OIL            |         |
| 24  | 714-0145   | 2 | GOUPILLE                       | FINISH:PHOS & OIL              |         |
| 25  | 714-0149B  | 1 | GOUPILLE FENDUE 1/2"           | 714-0149B                      |         |
| 26  | 714-0470   | 2 | EPINGLE EX AF-43010            | FINISH:SPEC-100015 470 32 32   |         |
| 27  | 720-0232   | 1 | BOUTON DE LEVIER MANUEL        | FINISH:SCHWARZ                 |         |
| 28  | 720-0269   | 1 | POIGNEE                        | FINISH:SCHWARZ                 |         |
| 29  | 726-0272   | 2 | COLLIER                        | FINISH:VERZINKT                |         |
| 30  | 732-0445   | 1 | RESSORT                        | 732-0445                       |         |
| 31  | 732-1167   | 1 | RESSORT DE PRESSION            |                                |         |
| 32  | 732-1168   | 1 | RESSORT                        |                                | Pinto   |
| 32A | 732-0594A  | 1 | RESSORT                        | FINISH:MTD-701-01000 932-0594A | Mod.404 |
| 33  | 732-3091   | 1 | RESSORT                        |                                |         |
| 34  | 735-0283   | 1 | CAHOUTCHOUX DE PEDALE          |                                |         |
| 35  | 735-3049   | 1 | GARNITURE DE FREIN ; PIED      | 735-3049                       |         |
| 36  | 736-0160   | 1 | RONDELLE 536 IDX.930ODX.050    | FINISH:MTD SPEC-100015         |         |
| 37  | 736-0169   | 1 | RONDELLE                       | FINISH:MTD SPEC-100016         |         |
| 38  | 736-0187   | 4 | RONDELLE .64X1.24X.06          | FINISH:701-01001               |         |
| 39  | 736-0267   | 1 | RONDELLE PL.:.385 x.87 x.06:HT | FINISH:701-01001               |         |
| 40  | 736-0270   | 1 | RONDELLE GROWER                | FINISH:MTD SPEC 701-01001      |         |
| 41  | 736-0649   | 5 | RONDELLE GROWER DIN 127        | FINISH:SPEC-100015 24.6495.18  |         |
| 42  | 736-0700   | 2 | RONDELLE A8.4 DIN 125          | MTD SPEC-100015 24.6481.18     |         |
| 43  | 736-0701   | 1 | RONDELLE                       | MTD SPEC-100015 24.6486.18     |         |
| 44  | 736-0692   | 2 | RONDELLE                       | FINISH:ZN5CL CB 24.6481.22     |         |
| 45  | 738-0183   | 1 | AXE                            | 738-0183                       |         |
| 46  | 738-0347   | 2 | RONDELLE ; EMB. .625IDx.169    | FINISH:                        |         |
| 47  | 738-0826   | 1 | VIS À ÉPAULE:1/4-28 X .375     | 738-0826                       |         |
| 48  | 741-0495   | 4 | PALIER DE BRIDE                | FINISH:KUNSTSTOFF WEISS        |         |
| 49  | 746-1127   | 1 | CABLE                          |                                |         |
| 50  | 746-1129   | 1 | CÂBLE DE FREIN 42,5"           |                                |         |
| 51  | 747-1228A  | 1 | TRINGLE                        | ROH:747-1228A-Z                |         |
| 52  | 747-1240   | 1 | TRINGLE                        | VERZINKT                       |         |
| 53  | 747-1249   | 1 | AXE                            | VERZINKT                       |         |
| 54  | 747-1254-Z | 1 | LEVIER INVERSSSEUR             |                                |         |
| 55  | 747-1255   | 1 | LEVIER                         | FINISH:747-1255-Z              |         |
| 56  | 747-1258   | 1 | TIGE DE FREIN                  | FINISH:GLANZVERZINKT           |         |
| 57  | 747-1262   | 1 | GUIDE                          |                                |         |
| 58  | 783-1142   | 1 | AXE COMPLET                    | GLANZVERZINKT                  |         |
| 59  | 783-1253   | 1 | SUPPORT                        |                                |         |
| 60  | 783-1287   | 1 | SUPPORT                        | GLANZVERZINKT                  |         |
| 61  | 783-1293   | 1 | SUPPORT                        | ROT GEPULVERT                  |         |
| 62  | 783-1307-Z | 1 | SUPPORT                        | GLANZVERZINKT                  |         |
| 63  | 746-1089   | 1 | CABLE STARTER                  | 29.0 LG x 1.50 EXT             |         |
| 22  | 712-3017   | 1 | ÛCROU HEXAGONAL                | FINISH:701-01000               |         |
| 65  | 736-0148   | 1 | RONDELLE                       | FINISH:MTD STD 701-01001       |         |



Commande de choke, Pedales



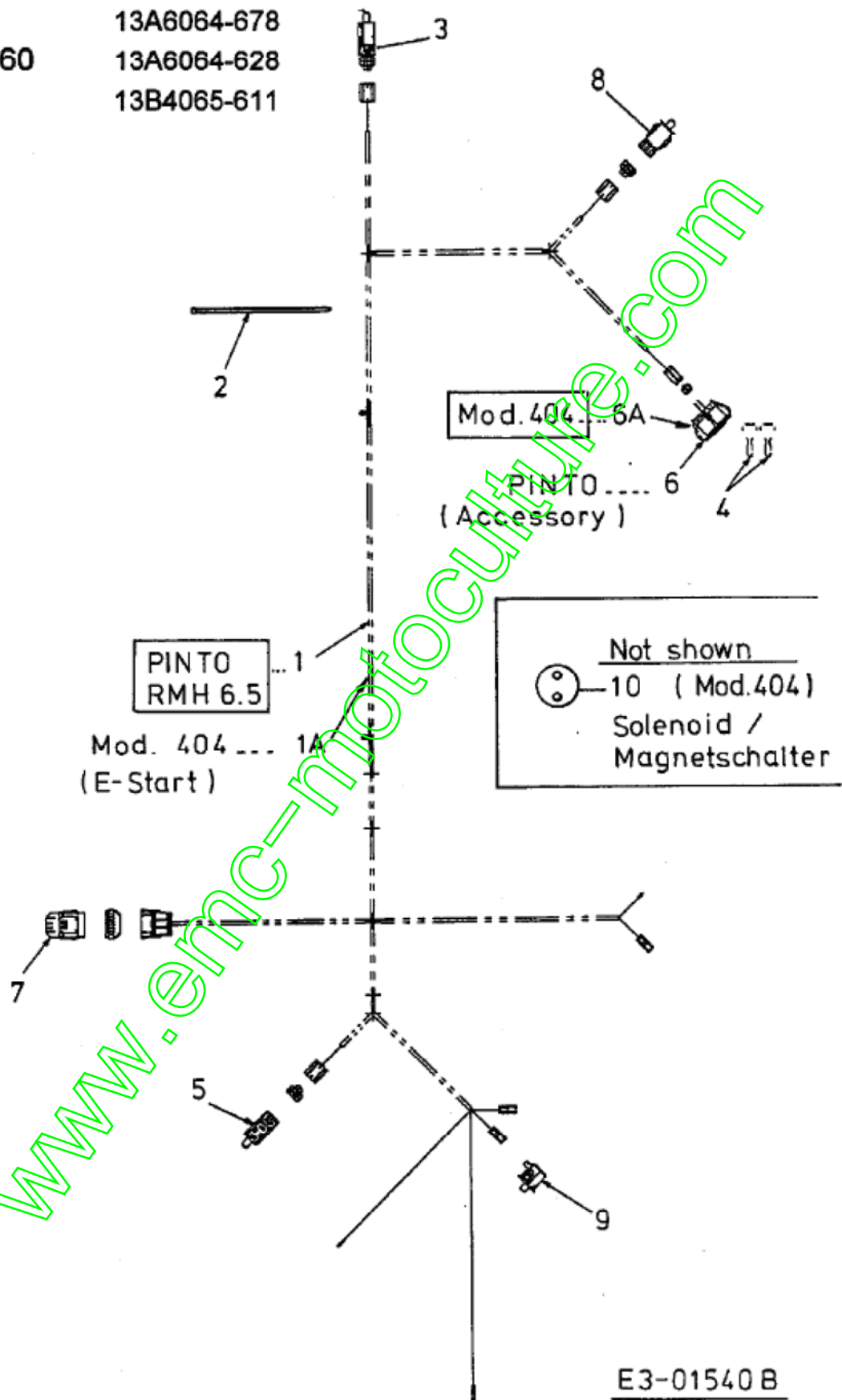
E3-01538 B

| Position | Numéro de pièce | Quantité | Designation                   | DIN                            | Additional |
|----------|-----------------|----------|-------------------------------|--------------------------------|------------|
| 1        | 647-0055-Z      | 1        | VERZINKT                      | VERZINKT                       |            |
| 2        | 683-0432        | 1        | PEDALE EMBRAYAGE              | SCHWEIßTEIL                    |            |
| 3        | 683-0433        | 1        | PÉDALE DE FREIN               | SCHWEIßTEIL                    |            |
| 4        | 683-0592        | 1        | TIRANT                        | SCHWEIßTEIL 7ym VERZINKT       |            |
| 5        | 710-0191        | 1        | VIS HEX. 3/8-24:1.25:GR8:SPEC | FINISH:701-01000               |            |
| 6        | 710-0599        | 1        | VIS                           | FINISH:MTD SPEC-701-01002      |            |
| 7        | 710-0604A       | 2        | VIS 5/16-18:0.625             | FINISH:MTD SPEC-701-01002      |            |
| 8        | 710-0859        | 1        | VIS HEX. 3/8-16:2.50:GR5:STD  | FINISH:701-01000               |            |
| 9        | 710-1017        | 2        | VIS                           | FINISH:MTD SPEC-100016         |            |
| 10       | 710-1681        | 4        | VIS                           | MTD SPEC-100015 21.1441.70     |            |
| 11       | 710-3013        | 1        | VIS HEXAGONALE                | FINISH:MTD STD 701-01000       |            |
| 12       | 711-0242        | 1        | ENTRETOISE                    | 711-0242                       |            |
| 13       | 711-0396        | 1        | DOUILLE / ENTRETOISE 38X62X7  | 711-0396                       |            |
| 14       | 711-1155        | 2        | AXE                           |                                |            |
| 15       | 711-1531        | 1        | ARBRE                         |                                |            |
| 16       | 712-0296        | 1        | ECROU                         | FINISH:701-01000               |            |
| 17       | 712-0380        | 1        | ÉCROU HEX.:1/4-28:GRF         | FINISH:701-01000               |            |
| 18       | 712-0431        | 1        | ÛCROU STOP 3/8-16:GRF         | FINISH:MTD SPEC-100015         |            |
| 19       | 712-0690        | 5        | ÛCROU                         | FINISH:MTD701-01000 24.1421.18 |            |
| 20       | 712-3004A       | 1        | ÛCROU HEX.: 5/16-18:GR5:SD:LK | FINISH:701-01000               |            |

|     |            |   |                                |                                |         |
|-----|------------|---|--------------------------------|--------------------------------|---------|
| 21  | 712-3007   | 2 | ÛCROU HEX. 5/16-18 GR5         | FINISH:MTD STD 701-01000       |         |
| 22  | 712-3017   | 1 | ÛCROU HEXAGONAL                | FINISH:701-01000               |         |
| 23  | 714-0104   | 6 | GOUPILLE                       | FINISH:PHOS AND OIL            |         |
| 24  | 714-0145   | 2 | GOUPILLE                       | FINISH:PHOS & OIL              |         |
| 25  | 714-0149B  | 1 | GOUPILLE FENDUE 1/2"           | 714-0149B                      |         |
| 26  | 714-0470   | 2 | EPINGLE EX AF-43010            | FINISH:SPEC-100015 470 32 32   |         |
| 27  | 720-0232   | 1 | BOUTON DE LEVIER MANUEL        | FINISH:SCHWARZ                 |         |
| 28  | 720-0269   | 1 | POIGNEE                        | FINISH:SCHWARZ                 |         |
| 29  | 726-0272   | 2 | COLLIER                        | FINISH:VERZINKT                |         |
| 30  | 732-0445   | 1 | RESSORT                        | 732-0445                       |         |
| 31  | 732-1167   | 1 | RESSORT DE PRESSION            |                                |         |
| 32  | 732-1168   | 1 | RESSORT                        |                                | Pinto   |
| 32A | 732-0594A  | 1 | RESSORT                        | FINISH:MTD-701-01000 932-0594A | Mod.404 |
| 33  | 732-3091   | 1 | RESSORT                        |                                |         |
| 34  | 735-0283   | 1 | CAHOUTCHOUX DE PEDALE          |                                |         |
| 35  | 735-3049   | 1 | GARNITURE DE FREIN ; PIED      | 735-3049                       |         |
| 36  | 736-0160   | 1 | RONDELLE 536 IDX.930ODX.050    | FINISH:MTD SPEC-100015         |         |
| 37  | 736-0169   | 1 | RONDELLE                       | FINISH:MTD SPEC-100016         |         |
| 38  | 736-0187   | 4 | RONDELLE .64X1.24X.06          | FINISH:701-01001               |         |
| 39  | 736-0267   | 1 | RONDELLE PL.:.385 x.87 x.06:HT | FINISH:701-01001               |         |
| 40  | 736-0270   | 1 | RONDELLE GROWER                | FINISH:MTD SPEC 701-01001      |         |
| 41  | 736-0649   | 5 | RONDELLE GROWER DIN 127        | FINISH:SPEC-100015 24.6495.18  |         |
| 42  | 736-0700   | 2 | RONDELLE A8.4 DIN 125          | MTD SPEC-100015 24.6481.18     |         |
| 43  | 736-0701   | 1 | RONDELLE                       | MTD SPEC-100015 24.6486.18     |         |
| 44  | 736-0692   | 2 | RONDELLE                       | FINISH:ZN5CL CB 24.6481.22     |         |
| 45  | 738-0183   | 1 | AXE                            | 738-0183                       |         |
| 46  | 738-0347   | 2 | RONDELLE ; EMB. .625IDx.169    | FINISH:                        |         |
| 47  | 738-0826   | 1 | VIS À ÉPAULE:1/4-28 X .375     | 738-0826                       |         |
| 48  | 741-0495   | 4 | PALIER DE BRIDE                | FINISH:KUNSTSTOFF WEISS        |         |
| 49  | 746-1127   | 1 | CABLE                          |                                |         |
| 50  | 746-1129   | 1 | CÂBLE DE FREIN 42,5"           |                                |         |
| 51  | 747-1228A  | 1 | TRINGLE                        | ROH:747-1228A-Z                |         |
| 52  | 747-1240   | 1 | TRINGLE                        | VERZINKT                       |         |
| 53  | 747-1249   | 1 | AXE                            | VERZINKT                       |         |
| 54  | 747-1254-Z | 1 | LEVIER INVERSSSEUR             |                                |         |
| 55  | 747-1255   | 1 | LEVIER                         | FINISH:747-1255-Z              |         |
| 56  | 747-1258   | 1 | TIGE DE FREIN                  | FINISH:GLANZVERZINKT           |         |
| 57  | 747-1262   | 1 | GUIDE                          |                                |         |
| 58  | 783-1142   | 1 | AXE COMPLET                    | GLANZVERZINKT                  |         |
| 59  | 783-1253   | 1 | SUPPORT                        |                                |         |
| 60  | 783-1287   | 1 | SUPPORT                        | GLANZVERZINKT                  |         |
| 61  | 783-1293   | 1 | SUPPORT                        | ROT GEPULVERT                  |         |
| 62  | 783-1307-Z | 1 | SUPPORT                        | GLANZVERZINKT                  |         |
| 63  | 746-1089   | 1 | CABLE STARTER                  | 29.0 LG x 1.50 EXT             |         |
| 22  | 712-3017   | 1 | ÛCROU HEXAGONAL                | FINISH:701-01000               |         |
| 65  | 736-0148   | 1 | RONDELLE                       | FINISH:MTD STD 701-01001       |         |

Assortiment électrique

|            |             |
|------------|-------------|
| PINTO      | 13A6064-678 |
| RMH 6.5-60 | 13A6064-628 |
| 404        | 13B4065-611 |

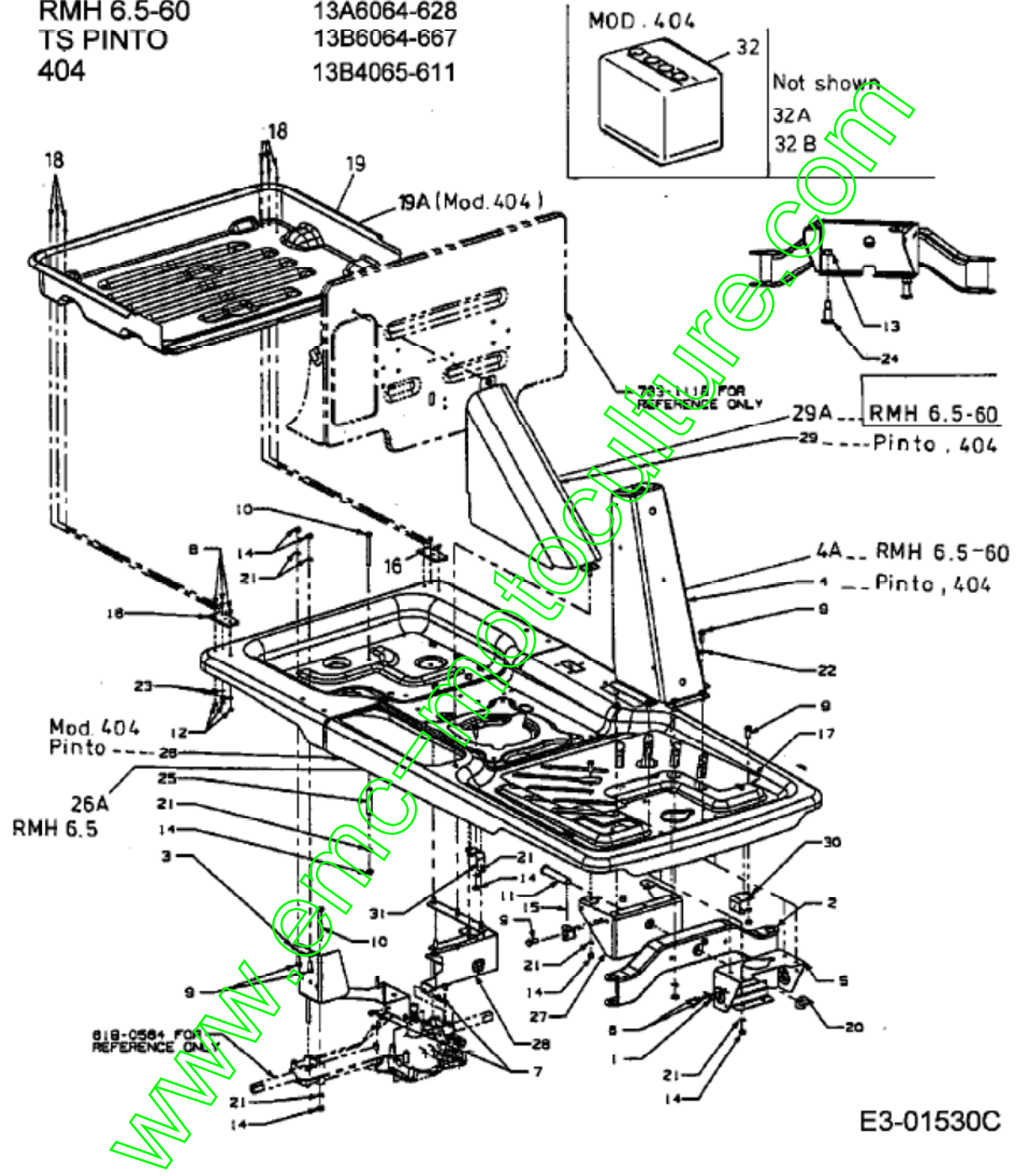


| Position | Numéro de pièce | Quantité | Designation                    | DIN                      | Additional        |
|----------|-----------------|----------|--------------------------------|--------------------------|-------------------|
| 1        | 629-1058        | 1        | FAISCEAU COMPLET               |                          | Pinto             |
| 1A       | 629-04004       | 1        | KABELBAUM DX 60 E-START        |                          | Mod.404           |
| 2        | 725-0157        | 1        | COLLIER DE CçBLE 3/16X.05X7.4  | MATERIAL:NYLON-SCHWARZ   |                   |
| 3        | 725-1657A       | 1        | SECURITE D'EMBAYAGE            | Sich.Mähwerk+Kuppl. GRAU |                   |
| 4        | 725-1744        | 2        | CLÉ DE CONTACT:DELTA           | 725-1744                 |                   |
| 5        | 725-1747        | 1        | SECURITE DE SIEGE              | 725-1747/925-1747        |                   |
| 6        | 725-1979        | 1        | CONTACTEUR A CLEF              |                          | Pinto             |
| 6A       | 725-04019       | 1        | CONTACTEUR A CLEF 3 POL. DELTA |                          | Mod. 404          |
| 7        | 725-1994        | 1        | MODULE ELECTR.                 | 725-1994                 |                   |
| 8        | 725-3164A       | 1        | SECURITE FREIN PARCKING        | 725-3164A / 925-3164A    |                   |
| 9        | 725-3166        | 1        | SECURITE                       | FINISH:GRAU              |                   |
| 10       | 725-1426        | 1        | RELAIS DE DEMARRAGE SOLENOID   | 725-1426 Mutter 712-0271 | sans illustration |

www.emc-motoculture.com

Batterie, Axe avant

- |               |             |
|---------------|-------------|
| PINTO         | 13B6064-600 |
| PINTO E-START | 13B4065-678 |
| RMH 6.5-60    | 13A6064-628 |
| TS PINTO      | 13B6064-667 |
| 404           | 13B4065-611 |



E3-01530C

| Position | Numéro de pièce | Quantité | Designation                    | DIN                          | Additional |
|----------|-----------------|----------|--------------------------------|------------------------------|------------|
| 1        | 17962           | 1        | PLAQUE DE SUPP. P. COMMULATEUR | 17962                        |            |
| 2        | 683-0142637     | 1        | TRAVERSE PINTO                 | 683-0142 / SCHWARZ LACKIERT  |            |
| 3        | 683-0581637     | 1        | RECHTS                         | RECHTS                       |            |
| 4        | 683-0591638     | 1        | CACHE COLONNE ROUGE MTD        | SCHWEIßTEIL / MTD-RED        | MTD rouge  |
| 4A       | 683-0591665     | 1        | COUVERCLE GUIDON               | SCHWEIßTEIL / YARD-MAN GREEN | Y.M. Vert  |

|     |             |    |                                |                                |           |
|-----|-------------|----|--------------------------------|--------------------------------|-----------|
| 5   | 683-0593637 | 1  | HALTER FRONTRÄGER VOLLST.      |                                |           |
| 6   | 710-0224    | 2  | VIS PARK:#10-16:0.500:HXINDWSH | FINISH:MTD STD 701-01002       |           |
| 7   | 710-0599    | 4  | VIS                            | FINISH:MTD SPEC-701-01002      |           |
| 8   | 710-1752    | 6  | VIS                            | Zn 5glcB 22.1418.34            |           |
| 9   | 710-1681    | 28 | VIS                            | MTD SPEC-100015 21.1441.70     |           |
| 10  | 710-1708    | 5  | VIS                            | M8x70 ZnglcB 21.1443.82        |           |
| 11  | 711-1165    | 1  | GOUPILLE                       | G11-1165                       |           |
| 12  | 712-0640    | 6  | ECROU                          | Zn 5glcb 24.1421.09            |           |
| 13  | 712-0431    | 2  | ÜCROU STOP 3/8-16:GRF          | FINISH:MTD SPEC-100015         |           |
| 14  | 712-0690    | 33 | ÜCROU                          | FINISH:MTD701-01000 24.1421.18 |           |
| 15  | 714-0470    | 1  | EPINGLE EX AF-43010            | FINISH:SPEC-100015 470 32 32   |           |
| 16  | 723-0491    | 2  | CAHOUTCHOUX ANTIVIBRATION      |                                |           |
| 17  | 723-0604    | 1  | MARCHE PIED CENTRAL            | ABRASIIVE                      |           |
| 18  | 728-0285    | 6  | RIVET                          | # GESIPA 6300928 ALU           |           |
| 19  | 731-2360    | 1  | CAISSE PLASTIQUE PINTO         |                                |           |
| 19A | 731-2644    | 1  | BOÎTE BAC DE RAMASSAGE         | DX 60/PINTO                    |           |
| 20  | 736-0187    | 1  | RONDELLE .64X1.24X.06          | FINISH:701-01001               |           |
| 21  | 736-0649    | 33 | RONDELLE GROWER DIN 127        | FINISH:SPEC-100015 24.8195.18  |           |
| 22  | 736-0700    | 4  | RONDELLE A8.4 DIN 125          | MTD SPEC-100015 24.8195.18     |           |
| 23  | 736-0765    | 6  | RONDELLE GROWER                | Zn 5glcB 24.8195.09            |           |
| 24  | 738-0145    | 2  | AXE                            | 738-0145                       |           |
| 25  | 750-1293    | 1  | ENTRETOISE                     | DIN 2394 ST 35                 |           |
| 26  | 783-1081638 | 1  | CHASSIS PINTO                  | MTD-RED                        | MTD rouge |
| 26A | 783-1081665 | 1  | 3018550                        | YARD-MAN GREEN                 | Y.M. Vert |
| 27  | 783-1097637 | 1  | SCHWARZ GEPULVERT              | SCHWARZ GEPULVERT              |           |
| 28  | 783-1101637 | 1  | GETRIEBETRÄGER LINKS           |                                |           |
| 29  | 783-1148638 | 1  | CONDUIT D HERBE                | MTD-RED                        | MTD rouge |
| 29A | 783-1148665 | 1  | YARD-MAN GREEN                 | YARD-MAN GREEN                 | Y.M. Vert |
| 30  | 783-1260    | 2  | SUPPORT                        |                                |           |
| 31  | 783-1292    | 2  | SUPPORT CABLE                  | FINISH:PAINT                   |           |
| 32  | 725-1698    | 1  | BATTERIE                       | TROCKEN VORGELADEN             |           |
| 32A | 731-04013   | 1  | COUVERCLE BATTERIE             |                                |           |
| 32B | 783-04004   | 1  | SUPPORT DE BATTERIE            | FINISH:LACKIERT                |           |

www.emc-motoculture.com