

CASTELGARDEN

PTX 220 HD (2017)

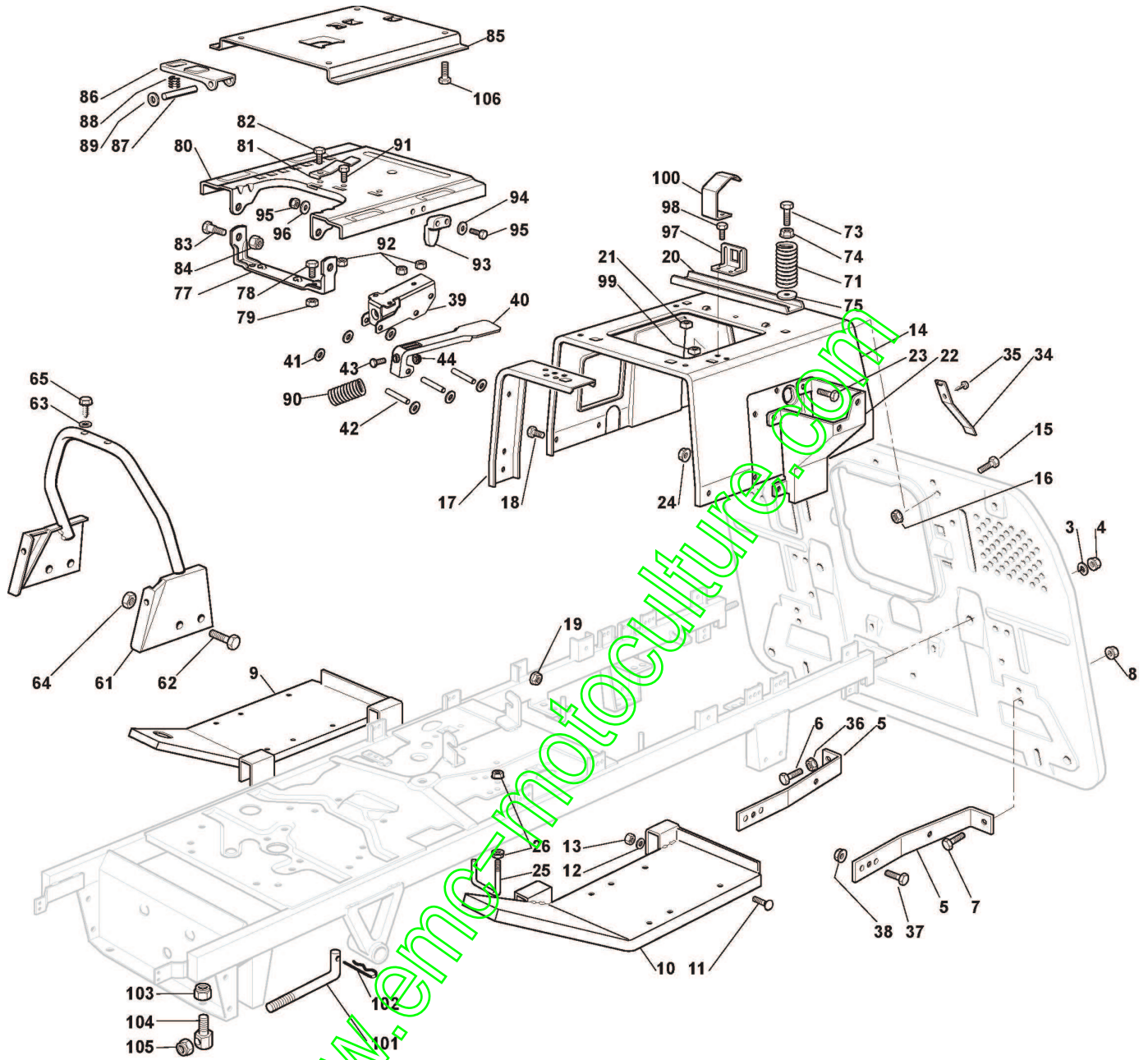
2T1310273/Y13



Spare parts list
Reservdelar
Repuestos
Ersatzteile
Pièces détachées
Reserve onderdelen
Catalogo ricambi

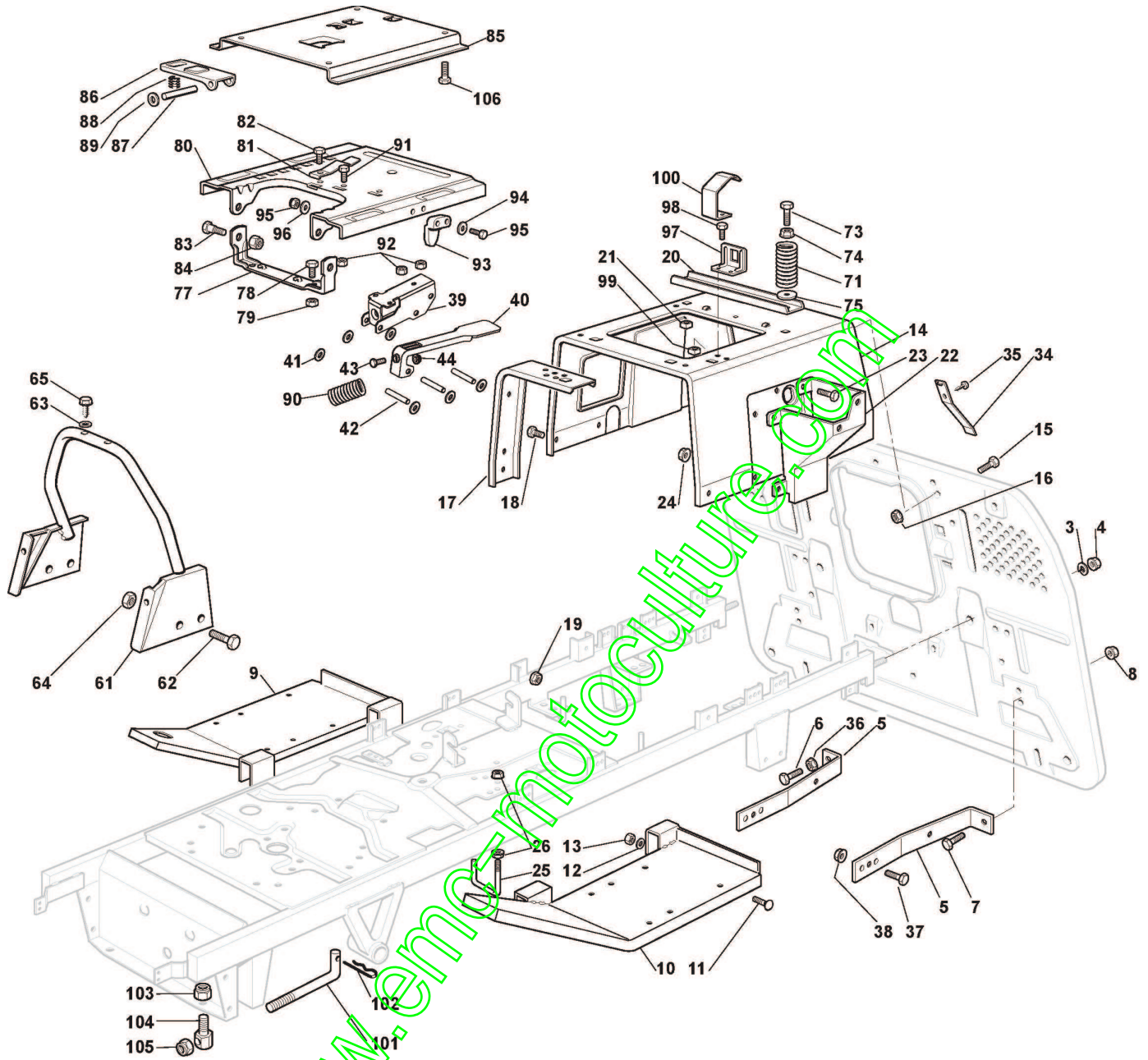
- Use ST. S.p.A. Genuine Spare Parts specified in the parts list for repair and/or replacement.
- The contents described in the parts list may change due to improvement.
- The drawings of the spare parts are only indicative And might Not represent the part in question exactly.
- The indications "right" - "left" - "front" - "rear" refer to the position of the operator when using the machine.
- When placing orders of parts for repair And/Or replacement, make sure that the illustrated parts list Is the one applying to the machine's year of manufacture, as shown on the identification plate attached to the machine.

All rights reserved. No part Of this material may be reproduced Or transmitted, in any form Or by any means, electronic Or mechanical, including photocopying, recording Or by any information storage And retrieval system, without permission in writing from ST. S.p.A.



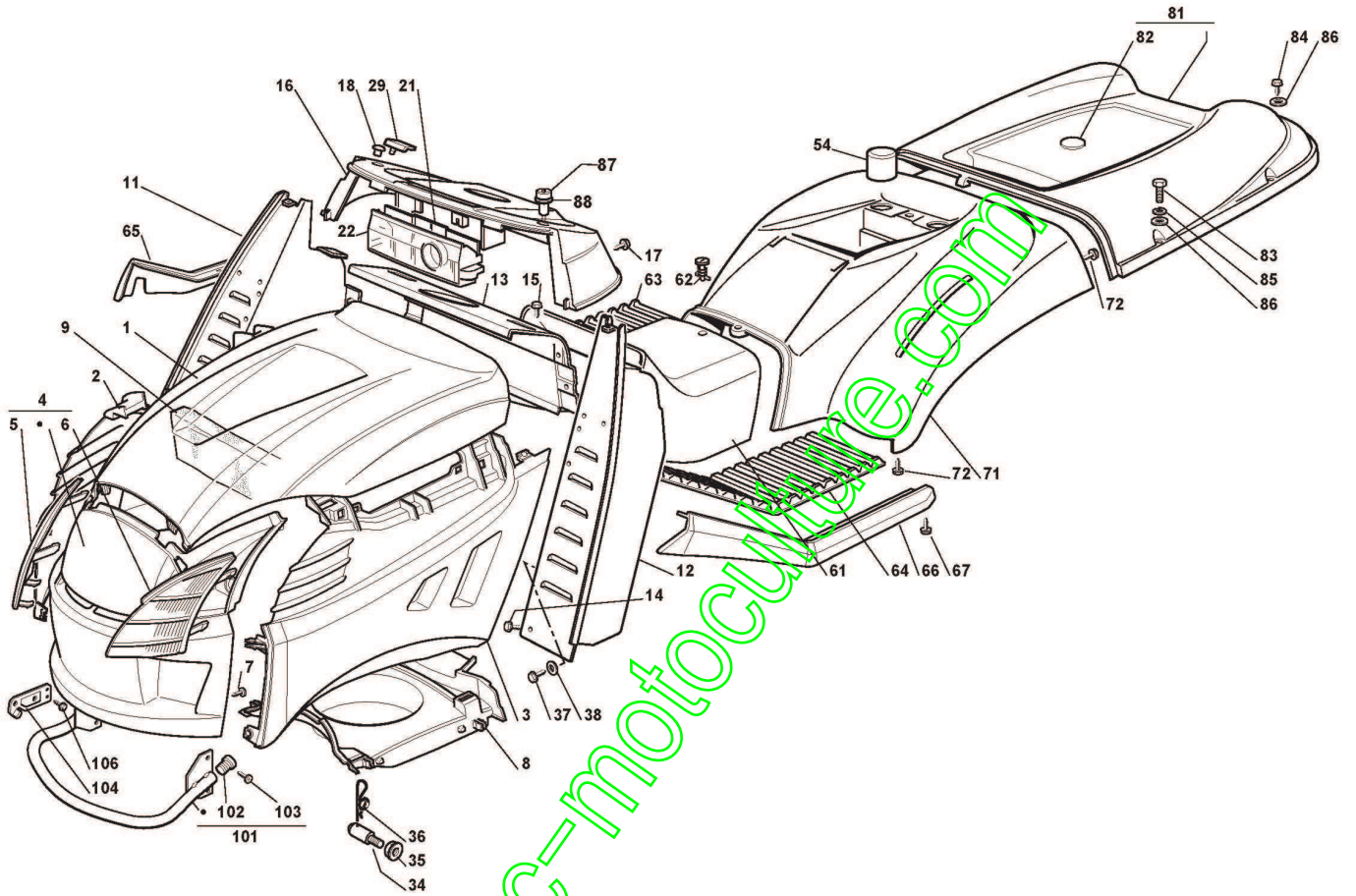
Chassis

| Réf. N° | Q.té : | Code article | Description | Articles | De | Jusqu'à |
|---------|--------|--------------|----------------------------|------------------------|----|---------|
| 3 | 2 | 112523060/0 | Rondelle | From 01-September-2016 | | |
| 3 | 2 | 112585100/0 | Rondelle | To 31-August-2016 | | |
| 4 | 2 | 112295200/0 | Ecrou | To 31-August-2016 | | |
| 4 | 2 | 9739-1031-22 | Ecrou | From 01-September-2016 | | |
| 5 | 2 | 325774273/1 | Renforcement | To 31-August-2013 | | |
| 5 | 2 | 325774273/2 | Renforcement | From 01-September-2013 | | |
| 6 | 1 | 112691100/0 | Vis | | | |
| 7 | 3 | 112793102/0 | Vis | | | |
| 8 | 2 | 112154220/0 | Ecrou | From 01-September-2016 | | |
| 8 | 4 | 112293201/0 | Ecrou | To 31-August-2016 | | |
| 9 | 1 | 382510041/2 | Marchepied Droit Support | | | |
| 10 | 1 | 382510043/2 | Support Marchepied Gauche | | | |
| 11 | 4 | 112815245/0 | Vis | | | |
| 12 | 4 | 112523040/0 | Rondelle | | | |
| 13 | 4 | 112154510/0 | Ecrou | | | |
| 14 | 1 | 325785133/5 | Support Siege | | | |
| 15 | 4 | 112791011/0 | Vis | | | |
| 16 | 5 | 112292102/0 | Ecrou | | | |
| 17 | 2 | 325650065/0 | Renforcement | To 31-August-2015 | | |
| 17 | 2 | 325650065/1 | Reinforcement Poulie | From 01-September-2015 | | |
| 18 | 6 | 112791011/0 | Vis | To 31-August-2016 | | |
| 18 | 8 | 112791200/1 | Vis | From 01-September-2016 | | |
| 19 | 6 | 112292102/0 | Ecrou | | | |
| 20 | 1 | 325650067/0 | Renforcement | To 31-August-2015 | | |
| 20 | 1 | 325650067/1 | Reinforcement Poulie | From 01-September-2015 | | |
| 21 | 2 | 112360420/0 | Ecrou | | | |
| 22 | 1 | 325785137/1 | Support | | | |
| 23 | 4 | 112791011/0 | Vis | To 31-August-2016 | | |
| 23 | 4 | 112791200/1 | Vis | From 01-September-2016 | | |
| 24 | 4 | 112292102/0 | Ecrou | | | |
| 25 | 1 | 125580019/0 | Cheville Guide De Courroie | To 31-August-2015 | | |
| 25 | 1 | 125580019/1 | Guide De Courroie (Hydro) | From 01-September-2015 | | |
| 26 | 2 | 112292102/0 | Ecrou | | | |
| 34 | 1 | 125430238/1 | Ressort | | | |
| 35 | 1 | 112731580/0 | Vis | | | |
| 36 | 1 | 112154220/0 | Ecrou | From 01-September-2016 | | |
| 36 | 1 | 112293200/0 | Ecrou | To 31-August-2016 | | |
| 37 | 2 | 112793102/0 | Vis | To 31-August-2016 | | |
| 37 | 3 | 112800815/0 | Vis | From 01-September-2016 | | |
| 38 | 2 | 112154220/0 | Ecrou | From 01-September-2016 | | |
| 38 | 2 | 112293201/0 | Ecrou | To 31-August-2016 | | |
| 39 | 1 | 325774575/0 | Bride | | | |
| 40 | 1 | 325318327/0 | Hebel | To 31-August-2017 | | |
| 40 | 1 | 382318315/0 | Levier | From 01-September-2017 | | |
| 41 | 6 | 112604896/0 | Fixateur A Couronne | | | |
| 42 | 3 | 122517866/0 | Pivot | | | |
| 43 | 1 | 112735661/0 | Vis | | | |
| 44 | 1 | 112154510/0 | Ecrou | | | |



Chassis

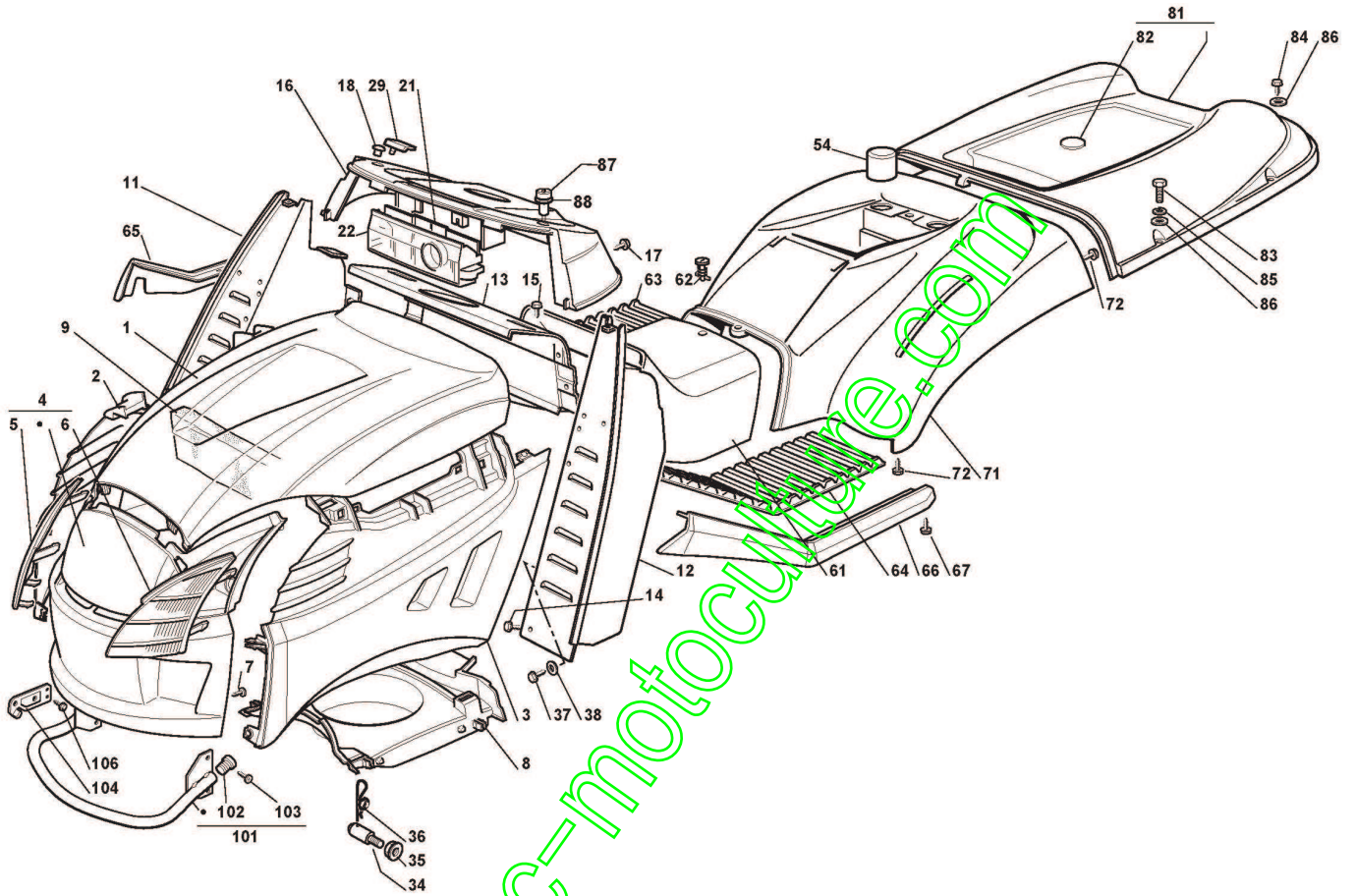
| Réf. N° | Q.té : | Code article | Description | Articles | De | Jusqu'à |
|---------|--------|--------------|-------------------------|------------------------|----|---------|
| 61 | 1 | 382650045/0 | Chassis | | | |
| 62 | 4 | 112792611/0 | Vis | | | |
| 63 | 2 | 112521330/0 | Rondelle | | | |
| 64 | 4 | 112292102/0 | Ecrou | | | |
| 65 | 2 | 112731350/0 | Vis | To 31-August-2016 | | |
| 65 | 2 | 9943-0516-16 | Vis | From 01-September-2016 | | |
| 71 | 2 | 125430205/1 | Ressort | | | |
| 73 | 2 | 125943001/1 | Vis | | | |
| 74 | 2 | 112154220/0 | Ecrou | From 01-September-2016 | | |
| 74 | 2 | 112293201/0 | Ecrou | To 31-August-2016 | | |
| 75 | 2 | 112523070/0 | Rondelle | | | |
| 77 | 1 | 382774207/0 | Etrier Support Siege | To 31-August-2017 | | |
| 77 | 1 | 382774305/0 | Etrier Support Siege | From 01-September-2017 | | |
| 78 | 2 | 112792611/0 | Vis | | | |
| 79 | 2 | 112293201/0 | Ecrou | | | |
| 80 | 1 | 325785149/3 | Support Siege Fixe | To 31-August-2017 | | |
| 80 | 1 | 382785301/0 | Support Siege Fixe | From 01-September-2017 | | |
| 81 | 1 | 125430203/1 | Ressort | | | |
| 82 | 1 | 112731580/0 | Vis | | | |
| 83 | 2 | 122524970/3 | Goupille | | | |
| 84 | 2 | 112155010/0 | Ecrou | | | |
| 85 | 1 | 325785147/2 | Support Siege | | | |
| 86 | 1 | 325318109/1 | Levier D'Arret | | | |
| 87 | 1 | 125510000/0 | Pivot | | | |
| 88 | 1 | 125430202/1 | Ressort | | | |
| 89 | 2 | 112604897/0 | Disque Elastique | | | |
| 90 | 1 | 125430285/0 | Ressort | To 31-August-2017 | | |
| 90 | 1 | 125430291/0 | Ressort | From 01-September-2017 | | |
| 91 | 1 | 112789000/0 | Vis | | | |
| 92 | 1 | 112154330/0 | Ecrou | | | |
| 93 | 1 | 325060049/0 | Came Interrupteur Siege | | | |
| 94 | 2 | 112815050/0 | Vis | | | |
| 95 | 4 | 112521320/0 | Rondelle | | | |
| 96 | 2 | 112154330/0 | Ecrou | | | |
| 97 | 1 | 325755025/2 | Equerre Support | To 31-August-2018 | | |
| 97 | 1 | 325755025/3 | Equerre Support | From 01-September-2018 | | |
| 98 | 2 | 112735110/0 | Vis | To 31-August-2016 | | |
| 98 | 2 | 112789000/0 | Vis | From 01-September-2016 | | |
| 99 | 2 | 112437502/0 | Plaquette | To 31-August-2016 | | |
| 99 | 2 | 9739-0531-22 | Ecrou | From 01-September-2016 | | |
| 100 | 1 | 325430255/0 | Ressort | | | |
| 101 | 2 | 125510119/0 | Tirant | | | |
| 102 | 2 | 124487997/0 | Goupille | | | |
| 103 | 2 | 112155000/0 | Ecrou | | | |
| 104 | 2 | 125510040/1 | Pivot | To 31-August-2013 | | |
| 104 | 2 | 125510040/2 | Pivot | From 01-September-2013 | | |
| 105 | 2 | 112155000/0 | Ecrou | | | |
| 106 | 2 | 9959-0820-16 | Vis | | | |



www.emc-motoculture.com

Carrosserie

| Réf. N° | Q.té : | Code article | Description | Articles | De | Jusqu'à |
|---------|--------|--------------|---------------------------------------|---|----|---------|
| 1 | 1 | 325076979/0 | Capot Rouge | | | |
| 2 | 1 | 325207120/1 | Capot Droit | | | |
| 3 | 1 | 325207121/1 | Capot Gauche | | | |
| 4 | 1 | 382394607/0 | Capot Avant | | | |
| 5 | 1 | 325410874/0 | Panneau Phares Droite | | | |
| 6 | 1 | 325410875/0 | Lentille Phare Gauche | | | |
| 7 | 6 | 112735405/0 | Vis | | | |
| 8 | 1 | 325108025/0 | Convoyeur | | | |
| 9 | 1 | 125730016/0 | Separateur Aspirations | | | |
| 11 | 1 | 382785022/10 | Support Tableau Droit | From 01-September-2017 | | |
| 11 | 1 | 382785022/9 | Support Tableau Droit | To 31-August-2017 | | |
| 12 | 1 | 382785021/8 | Support Tableau Gauche | To 31-August-2017 | | |
| 12 | 1 | 382785021/9 | Support Tableau Gauche | From 01-September-2017 | | |
| 13 | 1 | 382785137/1 | Support Tableau Centr. | | | |
| 14 | 2 | 112735110/0 | Vis | To 31-August-2010 | | |
| 14 | 2 | 112735654/0 | Vis | From 01-September-2016 | | |
| 15 | 4 | 112735110/0 | Vis | | | |
| 16 | 1 | 325120258/0 | Console Noir | for Standard Electronic Card;To 31-August-2017 | | |
| 17 | 4 | 112728440/0 | Vis | | | |
| 18 | 2 | 125120200/0 | Bouchon | | | |
| 21 | 1 | 125600009/0 | Protection Carte Electronique arriere | | | |
| 22 | 1 | 125600051/0 | Protection | | | |
| 29 | 2 | 125260000/0 | Protection | | | |
| 34 | 2 | 125510068/0 | Pivot | | | |
| 35 | 2 | 112293201/0 | Ecrou | | | |
| 36 | 1 | 124487998/0 | Goupille | | | |
| 37 | 2 | 112731350/0 | Vis | To 31-August-2010 | | |
| 37 | 2 | 112735654/0 | Vis | From 01-September-2016 | | |
| 38 | 2 | 112521330/0 | Rondelle | | | |
| 54 | 2 | 325122000/2 | Capot | | | |
| 61 | 1 | 325110481/0 | Couvre Central Rouge (Hydro) | | | |
| 62 | 1 | 125580020/2 | Pivot | | | |
| 63 | 1 | 325110278/1 | Couvre Marchepied Droit | | | |
| 64 | 1 | 325110279/0 | Couvre Marchepied Gauche | | | |
| 65 | 1 | 325599000/0 | Profil Droit Gris | | | |
| 66 | 1 | 325599001/0 | Profil Gauche | | | |
| 67 | 6 | 112731580/0 | Vis | | | |
| 71 | 1 | 325109797/0 | Couvre Roues (Hydro) Rouge | | | |
| 72 | 4 | 112735402/0 | Vis | To 31-August-2010 | | |
| 72 | 4 | 112735420/0 | Vis | From 01-September-2016 | | |
| 81 | 1 | 382110302/0 | Couvre-Bac Rouge | | | |
| 82 | 1 | 325547424/0 | Plaquette | | | |
| 83 | 2 | 112674701/0 | Vis | | | |
| 84 | 4 | 112729601/1 | Vis | | | |
| 85 | 2 | 112582101/0 | Grower | | | |
| 86 | 6 | 112521331/0 | Rondelle | | | |
| 87 | 1 | 325605003/0 | Bouton D'Entrée Inverse | | | |

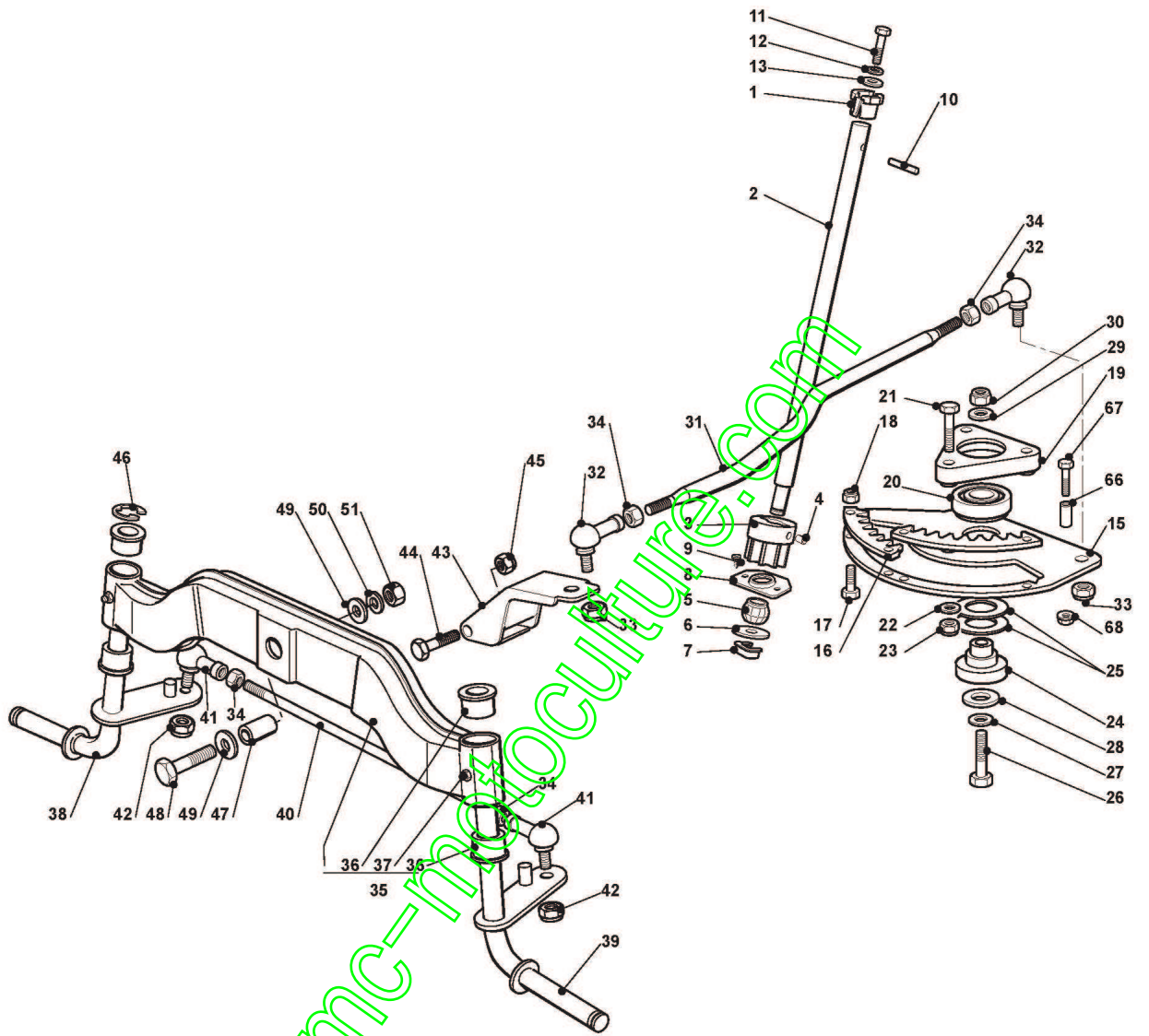


www.emc-motoculture.com

Carrosserie

| Réf. N° | Q.té : | Code article | Description | Articles | De | Jusqu'à |
|---------|--------|--------------|-----------------------|----------|----|---------|
| 88 | 1 | 325256250/0 | Embout | | | |
| 101 | 1 | 382869019/0 | Protection Silencieux | | | |
| 102 | 2 | 118737857/0 | Bouchon | | | |
| 103 | 4 | 112735120/0 | Vis | | | |
| 104 | 2 | 325547109/2 | Plaquette | | | |
| 106 | 4 | 112731580/0 | Vis | | | |

www.emc-motoculture.com



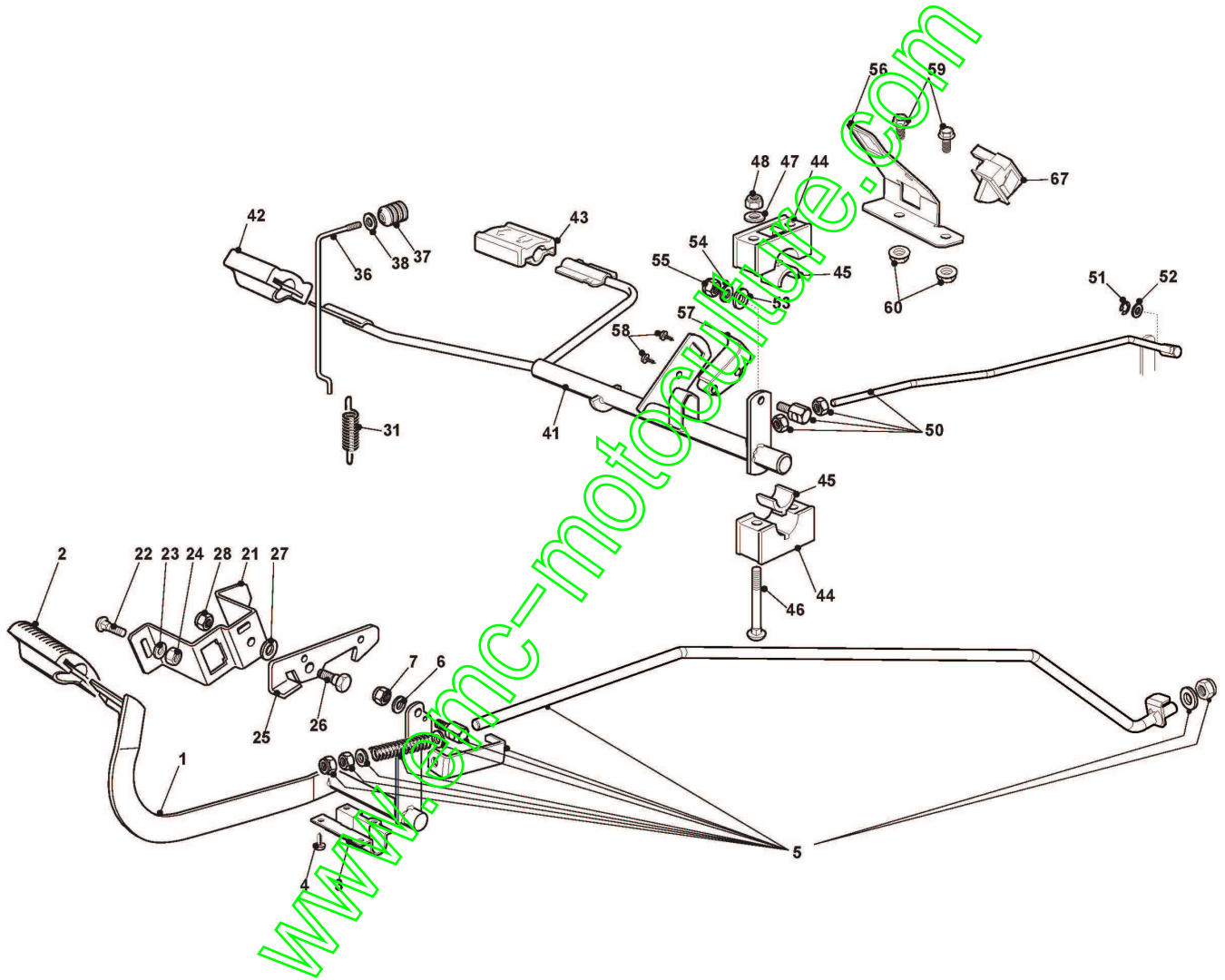
Barre De Direction

| Réf. N° | Q.té : | Code article | Description | Articles | De | Jusqu'à |
|---------|--------|--------------|-------------------------------------|------------------------|----|---------|
| 1 | 1 | 325038004/0 | Douille | | | |
| 2 | 1 | 125520010/0 | Tube De Direction | | | |
| 3 | 1 | 125570004/0 | Pignon | | | |
| 4 | 1 | 112714300/0 | Grain | | | |
| 5 | 1 | 325743000/0 | Joint | | | |
| 6 | 1 | 322672151/0 | Rondelle Antifriction | | | |
| 7 | 1 | 112436030/0 | Plaquette | | | |
| 8 | 1 | 325785213/1 | Support | | | |
| 9 | 2 | 112729601/1 | Vis | | | |
| 10 | 1 | 112620250/0 | Goupille | | | |
| 11 | 1 | 112691800/0 | Vis | | | |
| 12 | 1 | 112583500/0 | Grower | | | |
| 13 | 1 | 112523060/0 | Rondelle | To 31-August-2017 | | |
| 13 | 1 | 122671651/0 | Rondelle | From 01-September-2017 | | |
| 15 | 1 | 325735523/0 | Secteur Direction | To 31-August-2016 | | |
| 15 | 1 | 325735523/1 | Secteur Direction | From 01-September-2016 | | |
| 16 | 2 | 325150000/0 | Cremaillere Direction | | | |
| 17 | 4 | 112791213/1 | Vis | | | |
| 18 | 4 | 112154510/0 | Ecrou | | | |
| 19 | 1 | 325774453/0 | Etrier | | | |
| 20 | 1 | 119216047/0 | Roulement | | | |
| 21 | 3 | 112691100/0 | Vis | | | |
| 22 | 3 | 112523060/0 | Rondelle | To 31-August-2017 | | |
| 22 | 3 | 122671651/0 | Rondelle | From 01-September-2017 | | |
| 23 | 3 | 112155000/0 | Ecrou | | | |
| 24 | 1 | 125510120/0 | Support | | | |
| 25 | 2 | 322672153/0 | Rondelle Antifriction | | | |
| 26 | 1 | 112692395/1 | Vis | To 31-August-2017 | | |
| 26 | 1 | 112692395/2 | Vis | From 01-September-2017 | | |
| 27 | 1 | 112523080/0 | Rondelle | | | |
| 28 | 1 | 112521390/0 | Rondelle | | | |
| 29 | 1 | 112523080/0 | Rondelle | | | |
| 30 | 1 | 112156602/0 | Ecrou | | | |
| 31 | 1 | 125033003/1 | Barre De Direction | | | |
| 32 | 2 | 122746600/0 | Joint | To 31-August-2013 | | |
| 32 | 2 | 122746616/0 | Joint | From 01-September-2013 | | |
| 33 | 2 | 112156602/0 | Ecrou | | | |
| 34 | 4 | 112295201/0 | Ecrou | | | |
| 35 | 1 | 382034001/3 | Balancier Avec Douille Et Graisseur | | | |
| 36 | 4 | 125034002/1 | Douille | | | |
| 37 | 2 | 112379511/0 | Graisseur | | | |
| 38 | 1 | 382230361/0 | Fuseau Droit | | | |
| 39 | 1 | 382230359/0 | Fuseau Gauche | | | |
| 40 | 1 | 325840001/0 | Tirant | To 31-August-2013 | | |
| 40 | 1 | 325840001/1 | Tirant | From 01-September-2013 | | |
| 41 | 2 | 122746616/0 | Joint | | | |
| 42 | 2 | 112156602/0 | Ecrou | | | |
| 43 | 1 | 382318185/0 | Ens. Levier | | | |

Barre De Direction

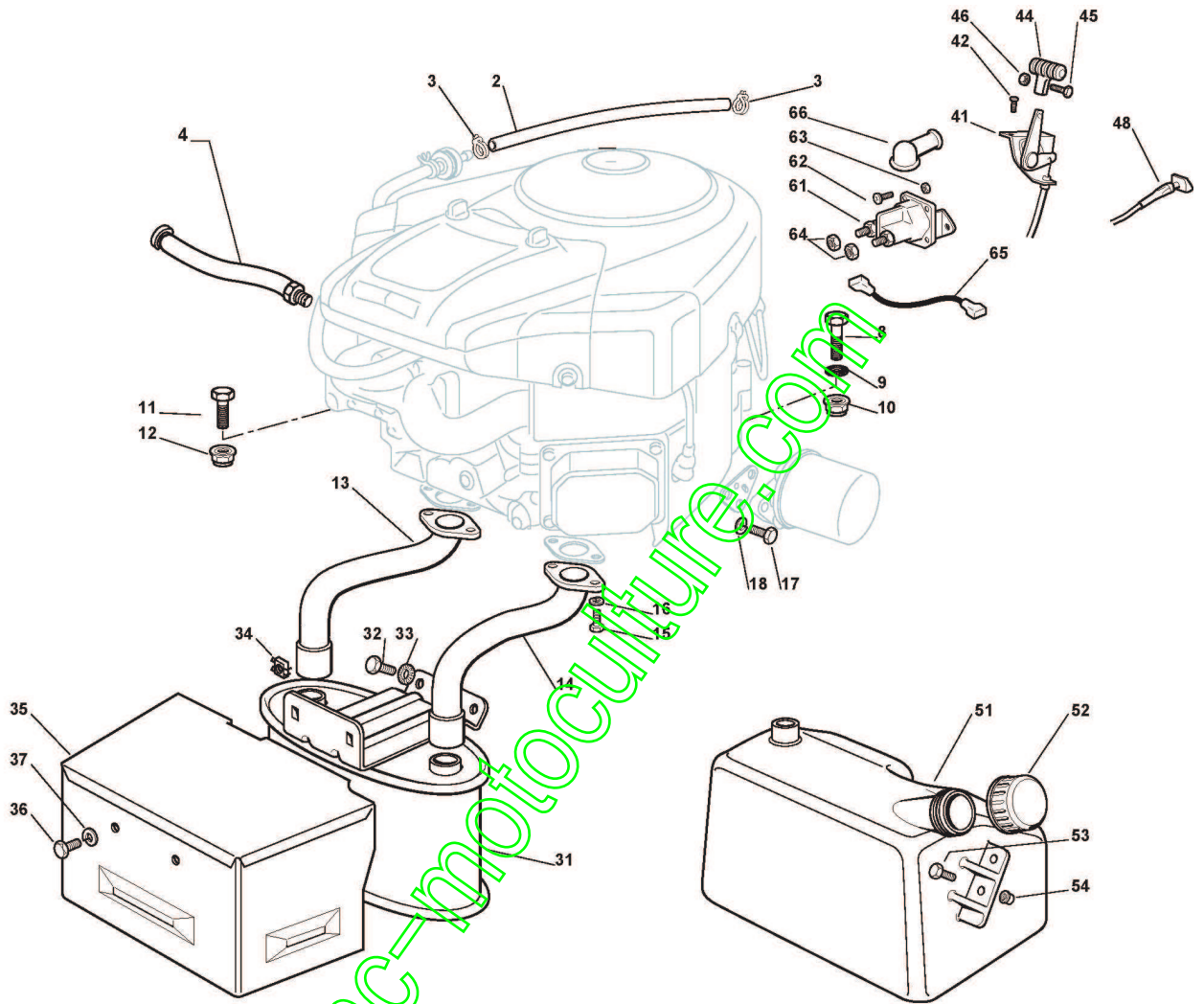
| Réf. N° | Q.té : | Code article | Description | Articles | De | Jusqu'à |
|---------|--------|--------------|----------------|------------------------|----|---------|
| 44 | 1 | 112692395/1 | Vis | To 31-August-2017 | | |
| 44 | 1 | 112692395/2 | Vis | From 01-September-2017 | | |
| 45 | 1 | 112155000/0 | Ecrou | | | |
| 46 | 1 | 112001000/0 | Anneau Benzing | | | |
| 47 | 1 | 125160005/0 | Entretoise | To 31-August-2015 | | |
| 47 | 1 | 125160005/1 | Entretoise | From 01-September-2015 | | |
| 48 | 1 | 112694100/0 | Vis | | | |
| 49 | 2 | 112521390/0 | Rondelle | | | |
| 50 | 1 | 112587900/0 | Grower | | | |
| 51 | 1 | 112295800/0 | Ecrou | | | |
| 66 | 1 | 122167840/0 | Entretoise | | | |
| 67 | 1 | 112691200/0 | Vis | | | |
| 68 | 1 | 112293201/0 | Ecrou | | | |

www.emc-motoculture.com



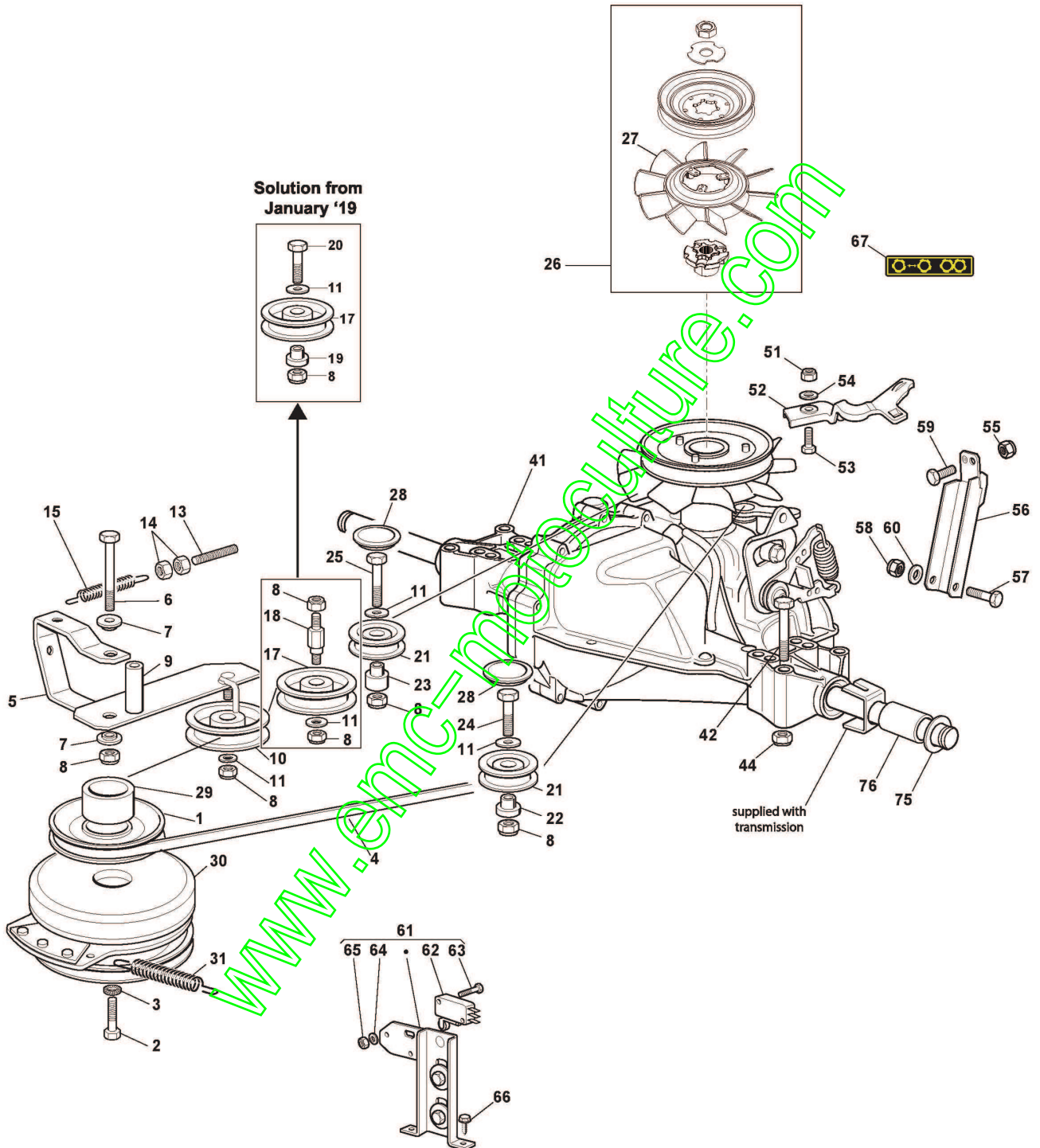
Commande Frein Et Boite De Vitesse

| Réf. N° | Q.té : | Code article | Description | Articles | De | Jusqu'à |
|---------|--------|--------------|-----------------------|------------------------|----|---------|
| 1 | 1 | 382500011/2 | Pedal | | | |
| 2 | 1 | 325110416/0 | Couvre Etrier | | | |
| 3 | 1 | 325547081/2 | Plaquette | | | |
| 4 | 4 | 112731601/0 | Vis | | | |
| 5 | 1 | 382000682/0 | Tige De Frein | | | |
| 6 | 1 | 112521350/0 | Rondelle | | | |
| 7 | 1 | 112155000/0 | Ecrou | | | |
| 21 | 1 | 325785143/1 | Support | | | |
| 22 | 2 | 112815210/0 | Vis | | | |
| 23 | 1 | 112523040/0 | Rondelle | | | |
| 24 | 2 | 112154510/0 | Ecrou | | | |
| 25 | 1 | 325253001/0 | Accrochage | | | |
| 26 | 1 | 122524970/3 | Goupille | | | |
| 27 | 1 | 325670011/0 | Rondelle Antifricion | | | |
| 28 | 1 | 112155000/0 | Ecrou | | | |
| 31 | 1 | 125430213/0 | Ressort | | | |
| 36 | 1 | 125033034/0 | Tige | | | |
| 37 | 1 | 125394509/1 | Poignée | | | |
| 38 | 1 | 112523020/0 | Rondelle | | | |
| 41 | 1 | 382000391/1 | Pedale Transmission | | | |
| 42 | 1 | 325110417/0 | Couvre Etrier Avant | | | |
| 43 | 1 | 325110418/0 | Couvre Etrier Arriere | | | |
| 44 | 4 | 325785354/0 | Support | | | |
| 45 | 4 | 325034003/0 | Douille | | | |
| 46 | 4 | 112815271/0 | Vis | | | |
| 47 | 4 | 112523040/0 | Rondelle | | | |
| 48 | 4 | 112154510/0 | Ecrou | | | |
| 50 | 1 | 382000681/0 | Tige | | | |
| 51 | 1 | 112000940/0 | Anneau Benzing | | | |
| 52 | 1 | 325670011/0 | Rondelle Antifricion | | | |
| 53 | 2 | 112521360/0 | Rondelle | | | |
| 54 | 5 | 112523040/0 | Rondelle | | | |
| 55 | 1 | 112154510/0 | Ecrou | | | |
| 56 | 1 | 325785481/0 | Support Micro | | | |
| 57 | 1 | 325060034/1 | Came | | | |
| 58 | 1 | 112735404/0 | Vis | | | |
| 59 | 2 | 112793102/0 | Vis | | | |
| 60 | 2 | 112154220/0 | Ecrou | | | |
| 67 | 1 | 119410614/0 | Microinterrupteur | To 31-August-2019 | | |
| 67 | 1 | 119410623/0 | Microinterrupteur | From 01-September-2019 | | |



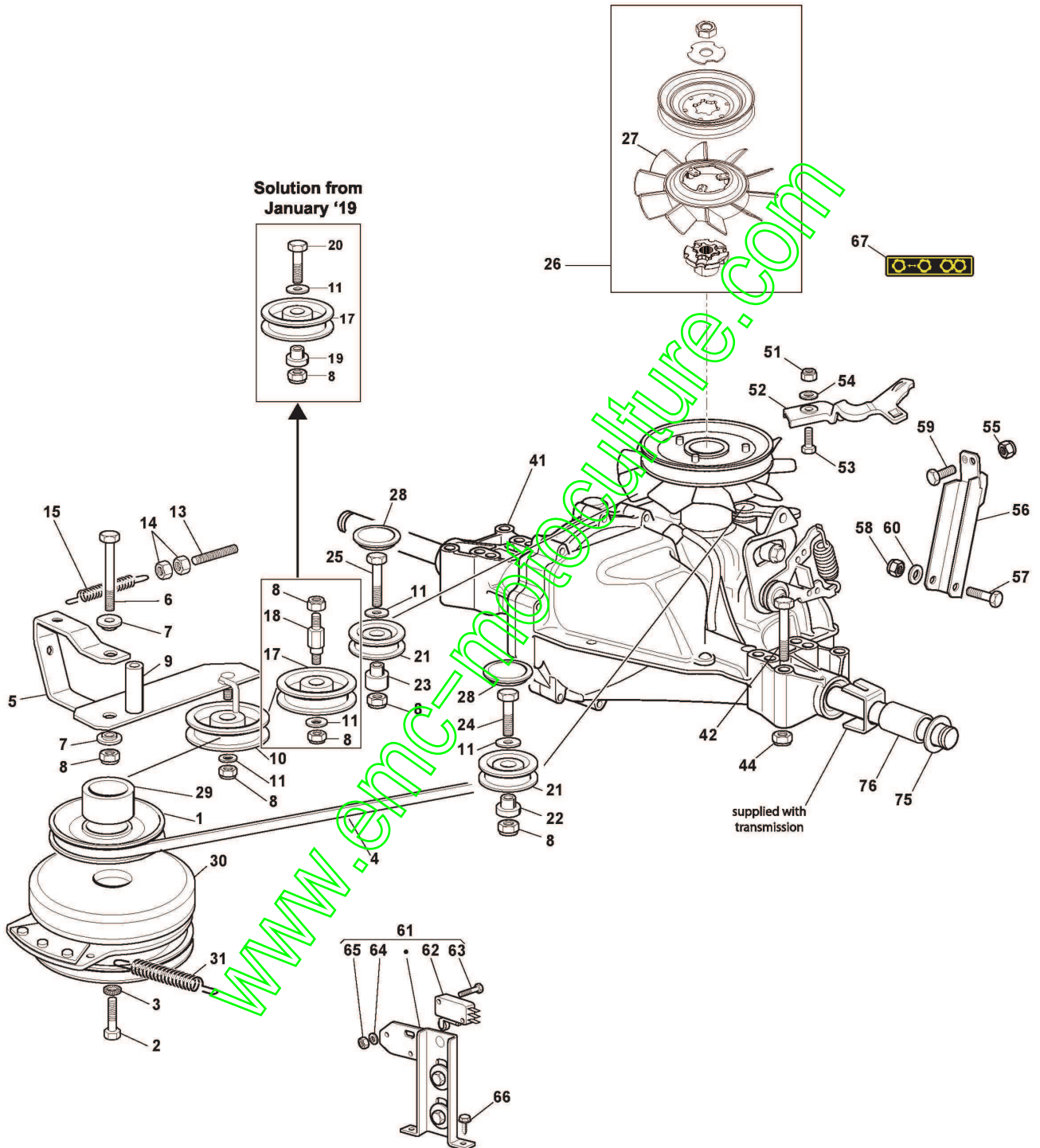
Moteur - B&S

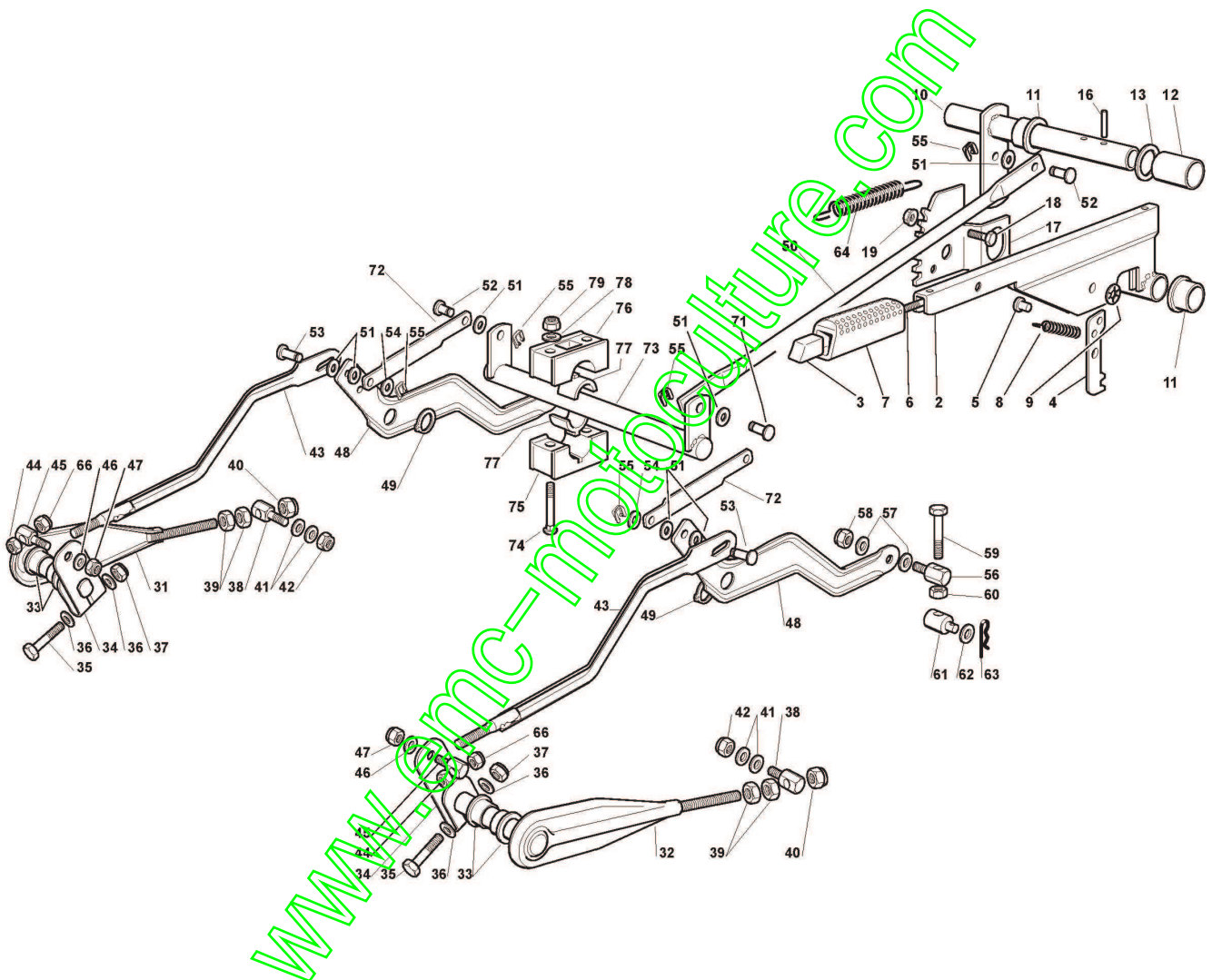
| Réf. N° | Q.té : | Code article | Description | Articles | De | Jusqu'à |
|---------|--------|--------------|-------------------------|------------------------|----|---------|
| 2 | 1 | 325869016/1 | Tube De Connexion | | | |
| 3 | 2 | 118375051/1 | Fixation De Cable | | | |
| 4 | 1 | 1134-5827-01 | Oil Drain Assy | | | |
| 8 | 1 | 112691115/0 | Vis | | | |
| 9 | 1 | 112540260/0 | Rondelle | | | |
| 10 | 1 | 112154210/0 | Ecrou | | | |
| 11 | 3 | 112691100/0 | Vis | | | |
| 12 | 3 | 112154210/0 | Ecrou | | | |
| 13 | 1 | 118738214/0 | Tube Echappement Droit | | | |
| 14 | 1 | 118738215/0 | Tube Echappement Gauche | | | |
| 15 | 4 | 112735530/0 | Vis | | | |
| 16 | 4 | 112583500/0 | Grower | | | |
| 17 | 3 | 112791400/0 | Vis | | | |
| 18 | 3 | 112582100/0 | Grower | | | |
| 31 | 1 | 182750011/0 | Silencieux | | | |
| 32 | 2 | 112793102/0 | Vis | | | |
| 33 | 2 | 112540260/0 | Rondelle | | | |
| 34 | 2 | 112360425/0 | Ecrou | | | |
| 35 | 1 | 382598005/2 | Protection Silencieux | | | |
| 36 | 2 | 112792611/0 | Vis | | | |
| 37 | 2 | 112583500/0 | Grower | | | |
| 41 | 1 | 182000211/1 | Accelérateur | | | |
| 42 | 2 | 125943012/0 | Vis | | | |
| 44 | 1 | 325592000/0 | Pommeau | To 31-August-2013 | | |
| 44 | 1 | 325592000/1 | Poignee | From 01-September-2013 | | |
| 45 | 1 | 112726388/0 | Vis | | | |
| 46 | 1 | 112290800/0 | Ecrou | | | |
| 48 | 1 | 125090001/2 | Commande Starter | | | |
| 51 | 1 | 325735111/3 | Reservoir | | | |
| 52 | 1 | 125795000/1 | Bouchon Reservoir | | | |
| 53 | 2 | 112788910/0 | Vis | | | |
| 54 | 2 | 112500092/0 | Rivet | | | |
| 61 | 1 | 118736110/0 | Relais D'Allumage | To 31-August-2015 | | |
| 61 | 1 | 118736113/0 | Relais D'Allumage | From 01-September-2015 | | |
| 62 | 2 | 112791011/0 | Vis | | | |
| 63 | 2 | 112292102/0 | Ecrou | | | |
| 64 | 2 | 112360352/0 | Ecrou | | | |
| 65 | 1 | 125065017/0 | Cable | | | |
| 66 | 1 | 118564861/1 | Capuchon | | | |



Transmission avec Embrayage Electromagnétique

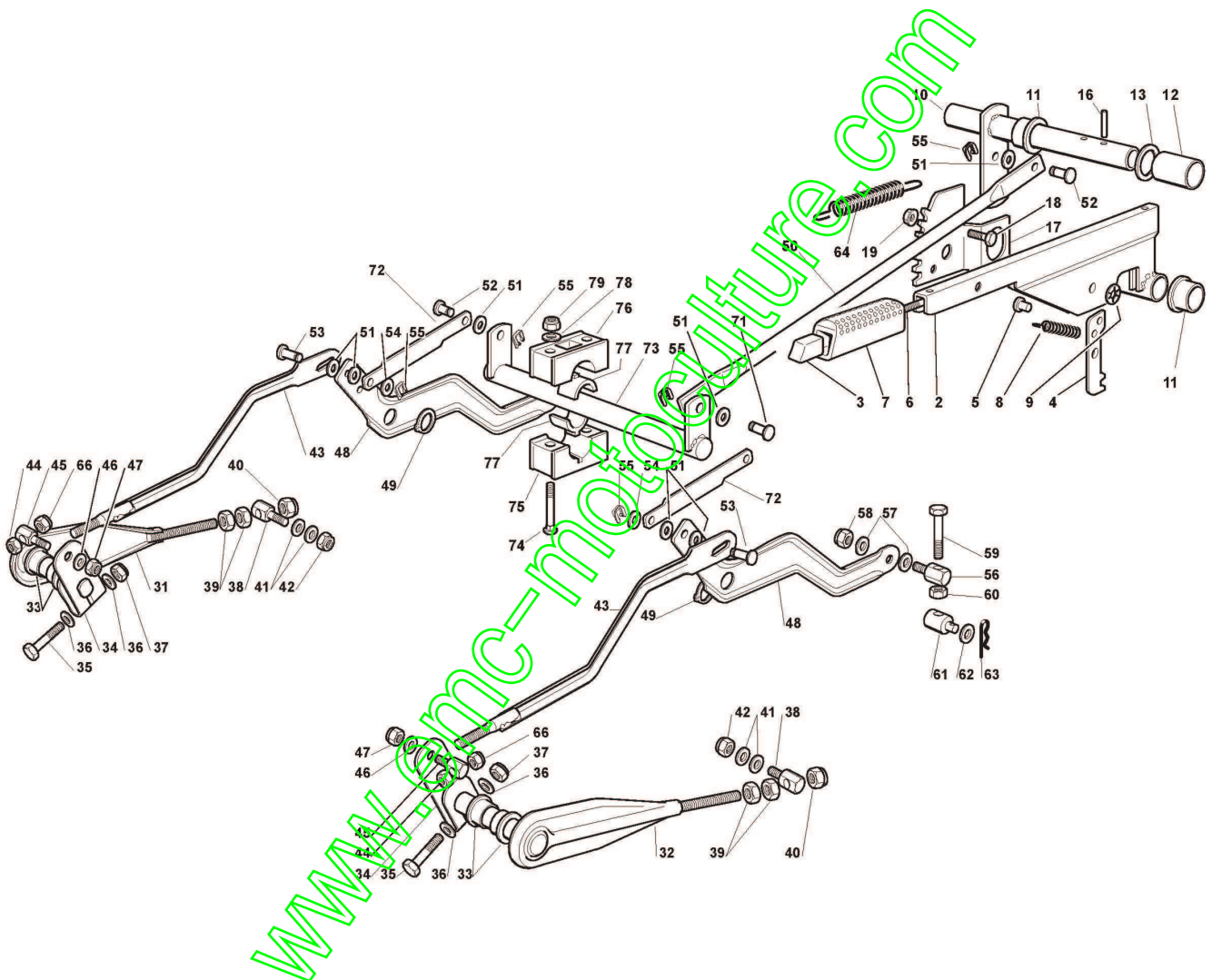
| Réf. N° | Q.té : | Code article | Description | Articles | De | Jusqu'à |
|---------|--------|---------------|----------------------------|----------|----|---------|
| 1 | 1 | 125601577/0 | Poulie | | | |
| 2 | 1 | 112737320/0 | Vis | | | |
| 3 | 1 | 112543000/0 | Rondelle | | | |
| 4 | 1 | 135062019/0 | Courroie | | | |
| 5 | 1 | 382318165/2 | Levier | | | |
| 6 | 1 | 112793905/0 | Vis | | | |
| 7 | 2 | 125038002/1 | Douille | | | |
| 8 | 9 | 112155000/0 | Ecrou | | | |
| 9 | 1 | 125160027/0 | Entretoise | | | |
| 10 | 1 | 125601554/0 | Poulie | | | |
| 11 | 5 | 112523060/0 | Rondelle | | | |
| 13 | 1 | 125840010/1 | Tirant | | | |
| 14 | 2 | 112293200/0 | Ecrou | | | |
| 15 | 1 | 125430219/1 | Ressort | | | |
| 17 | 1 | 325601599/0 | Poulie | | | |
| 18 | 1 | 125510139/0 | Pivot | | | |
| 19 | 1 | 125160056/0 | Entretoise | | | |
| 20 | 1 | 112691800/0 | Vis | | | |
| 21 | 2 | 325601570/1 | Poulie | | | |
| 22 | 1 | 125160030/2 | Entretoise Gauche | | | |
| 23 | 1 | 125160024/2 | Entretoise Droit | | | |
| 24 | 1 | 112691115/0 | Vis | | | |
| 25 | 1 | 112691400/0 | Vis | | | |
| 26 | 2 | 118802723/0 | Fan Kit | | | |
| 27 | 1 | 118870130/0 | Ventilateur | | | |
| 28 | 2 | 125109521/1 | Couvercle | | | |
| 29 | 1 | 125160059/0 | Entretoise | | | |
| 30 | 1 | 118399062/0 | Friction | | | |
| 31 | 1 | 125430210/1 | Ressort Frein | | | |
| 41 | 1 | 118400990/0 | Groupe Transmission HYG 12 | | | |
| 42 | 4 | 112691600/0 | Vis | | | |
| 44 | 4 | 112154210/0 | Ecrou | | | |
| 51 | 1 | 112154510/0 | Ecrou | | | |
| 52 | 1 | 325318253/0 | Levier | | | |
| 53 | 1 | 112791213/1 | Vis | | | |
| 54 | 1 | 112523040/0 | Rondelle | | | |
| 55 | 1 | 112293201/0 | Ecrou | | | |
| 56 | 1 | 382785199/0 | Support | | | |
| 57 | 1 | 112691700/0 | Vis | | | |
| 58 | 1 | 112155000/0 | Ecrou | | | |
| 59 | 1 | 112793102/0 | Vis | | | |
| 60 | 1 | 112521350/0 | Rondelle | | | |
| 61 | 1 | 382394853/OLC | Micro. Ens. | | | |
| 62 | 1 | 119410609/1LC | Microinterrupteur | | | |
| 63 | 2 | 112735602/0 | Vis | | | |
| 64 | 2 | 112581100/0 | Grower | | | |
| 65 | 2 | 112290791/0 | Ecrou | | | |
| 66 | 2 | 112735110/0 | Vis | | | |





Soulevement Plateau De Coupe

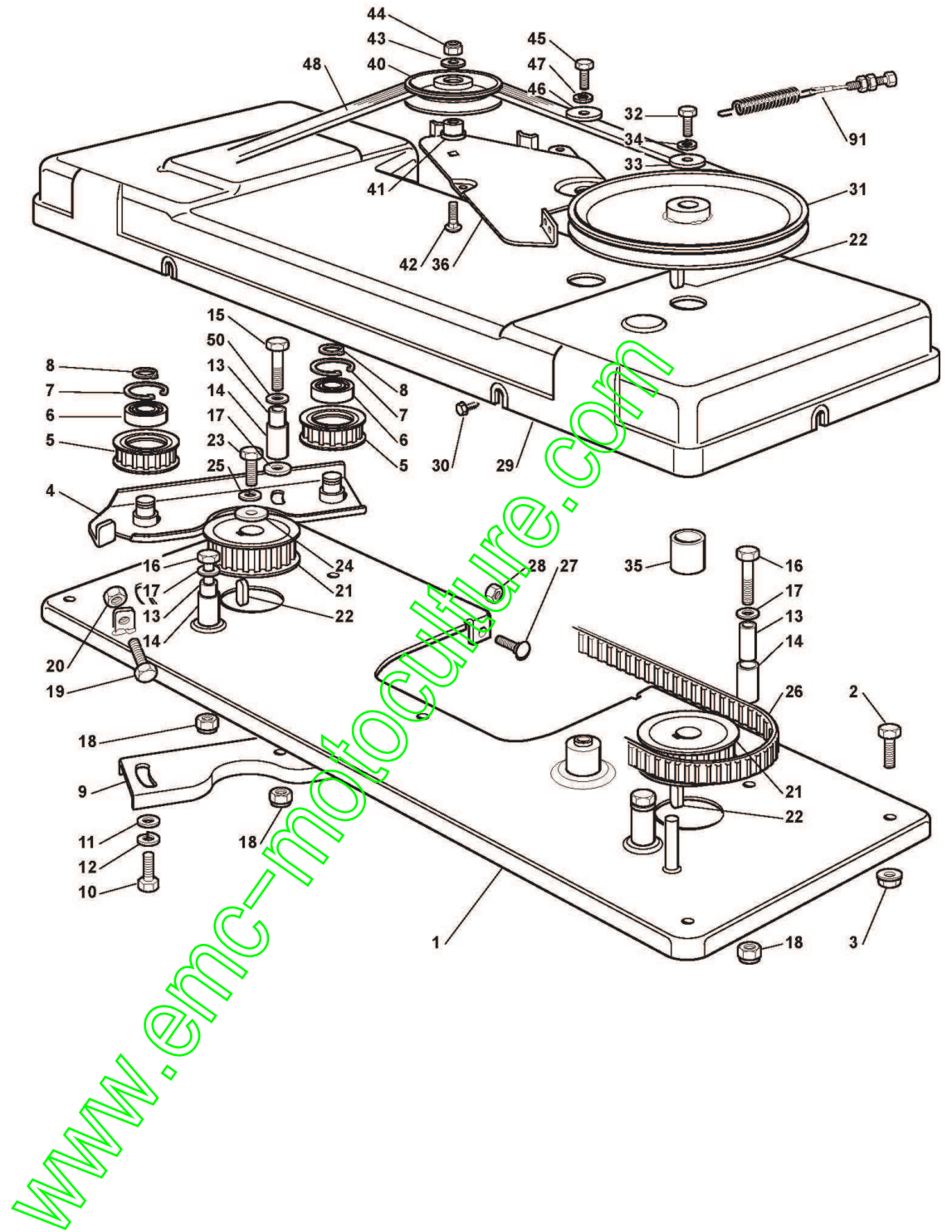
| Réf. N° | Q.té : | Code article | Description | Articles | De | Jusqu'à |
|---------|--------|--------------|----------------------------------|------------------------|----|---------|
| 2 | 1 | 382318139/0 | Levier Soulevement Plateau Coupe | To 31-August-2016 | | |
| 2 | 1 | 382318139/1 | Levier Soulevement Plateau Coupe | From 01-September-2016 | | |
| 3 | 1 | 125605000/1 | Poussoir | | | |
| 4 | 1 | 325470901/0 | Declic | To 31-August-2011 | | |
| 4 | 1 | 325470901/1 | Declic | From 01-September-2011 | | |
| 5 | 1 | 125510011/0 | Pivot | To 31-August-2013 | | |
| 5 | 1 | 125510011/1 | Pivot | From 01-September-2013 | | |
| 6 | 1 | 125033002/0 | Tige | To 31-August-2011 | | |
| 6 | 1 | 125033002/1 | Tige | From 01-September-2011 | | |
| 7 | 1 | 325394536/0 | Poignée | | | |
| 8 | 1 | 125430208/0 | Ressort | To 31-August-2015 | | |
| 8 | 1 | 125430208/1 | Ressort | From 01-September-2015 | | |
| 9 | 1 | 112604899/0 | Fixateur A Couronne | | | |
| 10 | 1 | 382000551/0 | Axe | | | |
| 11 | 2 | 122034523/0 | Douille | | | |
| 12 | 1 | 125160025/0 | Entretoise | To 31-August-2015 | | |
| 12 | 1 | 125160025/1 | Entretoise | From 01-September-2015 | | |
| 13 | 1 | 322672153/0 | Rondelle Antifriction | | | |
| 16 | 2 | 112620206/0 | Goupille | | | |
| 17 | 1 | 325735506/1 | Secteur, Gauche | To 31-August-2015 | | |
| 17 | 1 | 325735506/2 | Secteur, Gauche | From 01-September-2015 | | |
| 18 | 2 | 112792611/0 | Vis | | | |
| 19 | 2 | 112154220/0 | Ecrou | From 01-September-2016 | | |
| 19 | 2 | 112293201/0 | Ecrou | To 31-August-2016 | | |
| 31 | 1 | 382318159/0 | Front Right Fulcrum Lever | | | |
| 32 | 1 | 382318161/0 | Levier | | | |
| 33 | 4 | 125040605/0 | Douille | | | |
| 34 | 2 | 325318161/0 | Levier | | | |
| 35 | 2 | 112691700/0 | Vis | | | |
| 36 | 4 | 112521350/0 | Rondelle | | | |
| 37 | 2 | 112155000/0 | Ecrou | | | |
| 38 | 2 | 125510056/0 | Pivot | | | |
| 39 | 4 | 112295200/0 | Ecrou | | | |
| 40 | 2 | 112156602/0 | Ecrou | | | |
| 41 | 4 | 325670008/1 | Rondelle | | | |
| 42 | 2 | 112156602/0 | Ecrou | | | |
| 43 | 2 | 382000477/2 | Ens. Tige De Connexion | To 31-August-2011 | | |
| 43 | 1 | 382000477/3 | Tige De Connexion | From 01-September-2011 | | |
| 44 | 2 | 112155000/0 | Ecrou | | | |
| 45 | 2 | 125510055/1 | Pivot | | | |
| 46 | 2 | 112521350/0 | Rondelle | | | |
| 47 | 2 | 112155000/0 | Ecrou | | | |
| 48 | 2 | 325318153/1 | Levier Arriere | | | |
| 49 | 2 | 112609255/0 | Seeger | | | |
| 50 | 1 | 325033071/0 | Tige | | | |
| 51 | 7 | 325670011/0 | Rondelle Antifriction | | | |
| 52 | 2 | 125510117/0 | Pivot | | | |



Soulevement Plateau De Coupe

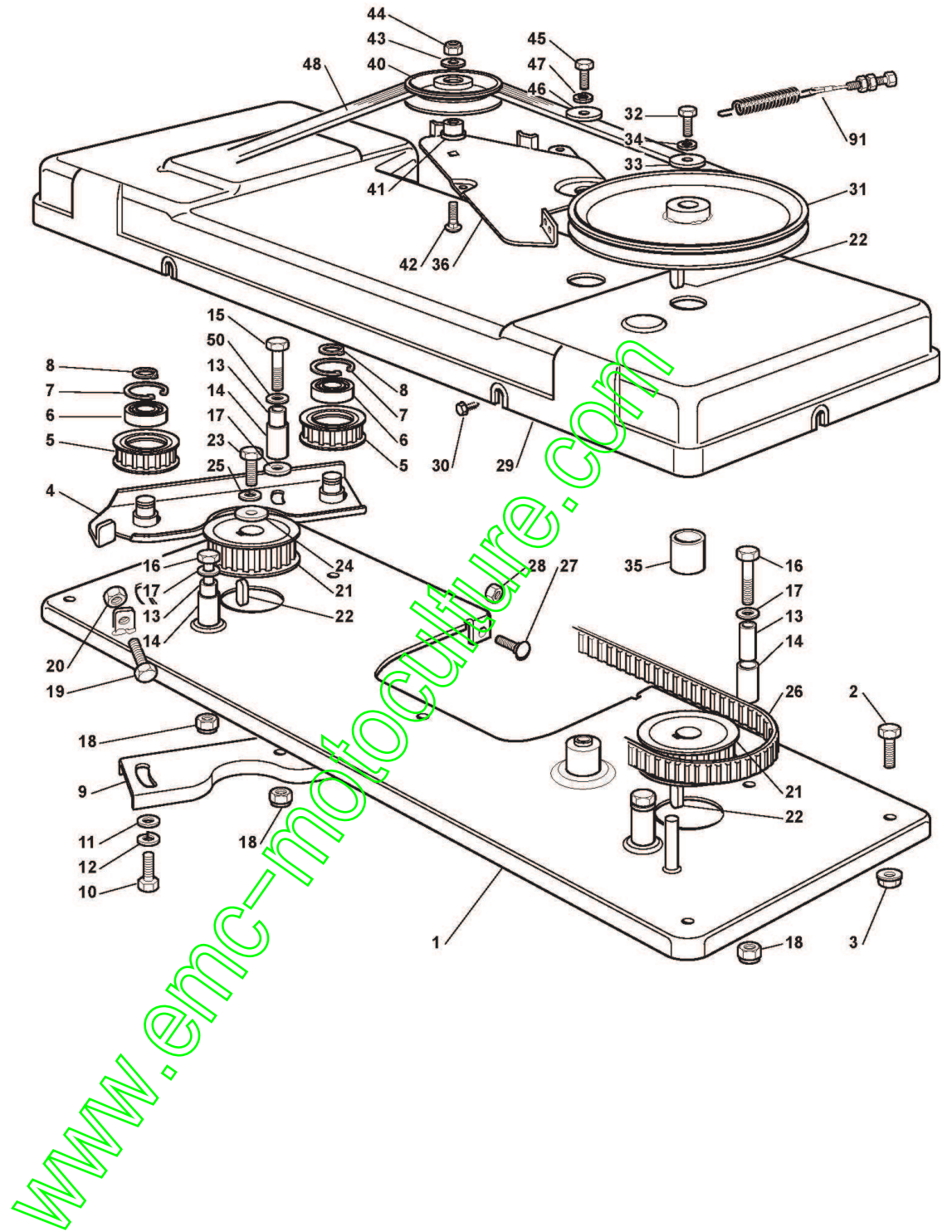
| Réf. N° | Q.té : | Code article | Description | Articles | De | Jusqu'à |
|---------|--------|--------------|-------------|------------------------|----|---------|
| 53 | 2 | 125510048/1 | Pivot | | | |
| 54 | 2 | 112521350/0 | Rondelle | | | |
| 55 | 5 | 112436050/0 | Plaquette | | | |
| 56 | 2 | 125510056/0 | Pivot | | | |
| 57 | 4 | 325670008/1 | Rondelle | | | |
| 58 | 2 | 112156602/0 | Ecrou | | | |
| 59 | 2 | 112794985/0 | Vis | | | |
| 60 | 2 | 112295200/0 | Ecrou | | | |
| 61 | 2 | 125510070/0 | Pivot | | | |
| 62 | 2 | 112523090/0 | Rondelle | | | |
| 63 | 2 | 124487998/0 | Goupille | | | |
| 64 | 1 | 125430218/0 | Ressort | To 31-August-2015 | | |
| 64 | 1 | 125430218/1 | Ressort | From 01-September-2015 | | |
| 66 | 2 | 112293200/0 | Ecrou | | | |
| 71 | 1 | 125510048/1 | Pivot | | | |
| 72 | 2 | 325318223/0 | Levier | | | |
| 73 | 1 | 382000585/0 | Axe | | | |
| 74 | 4 | 112815271/0 | Vis | | | |
| 75 | 2 | 325785355/0 | Support | | | |
| 76 | 2 | 325785354/0 | Support | | | |
| 77 | 4 | 325034003/0 | Douille | | | |
| 78 | 4 | 112523040/0 | Rondelle | | | |
| 79 | 4 | 112154510/0 | Ecrou | | | |

www.emc-motoculture.com



Embrayage des Lames

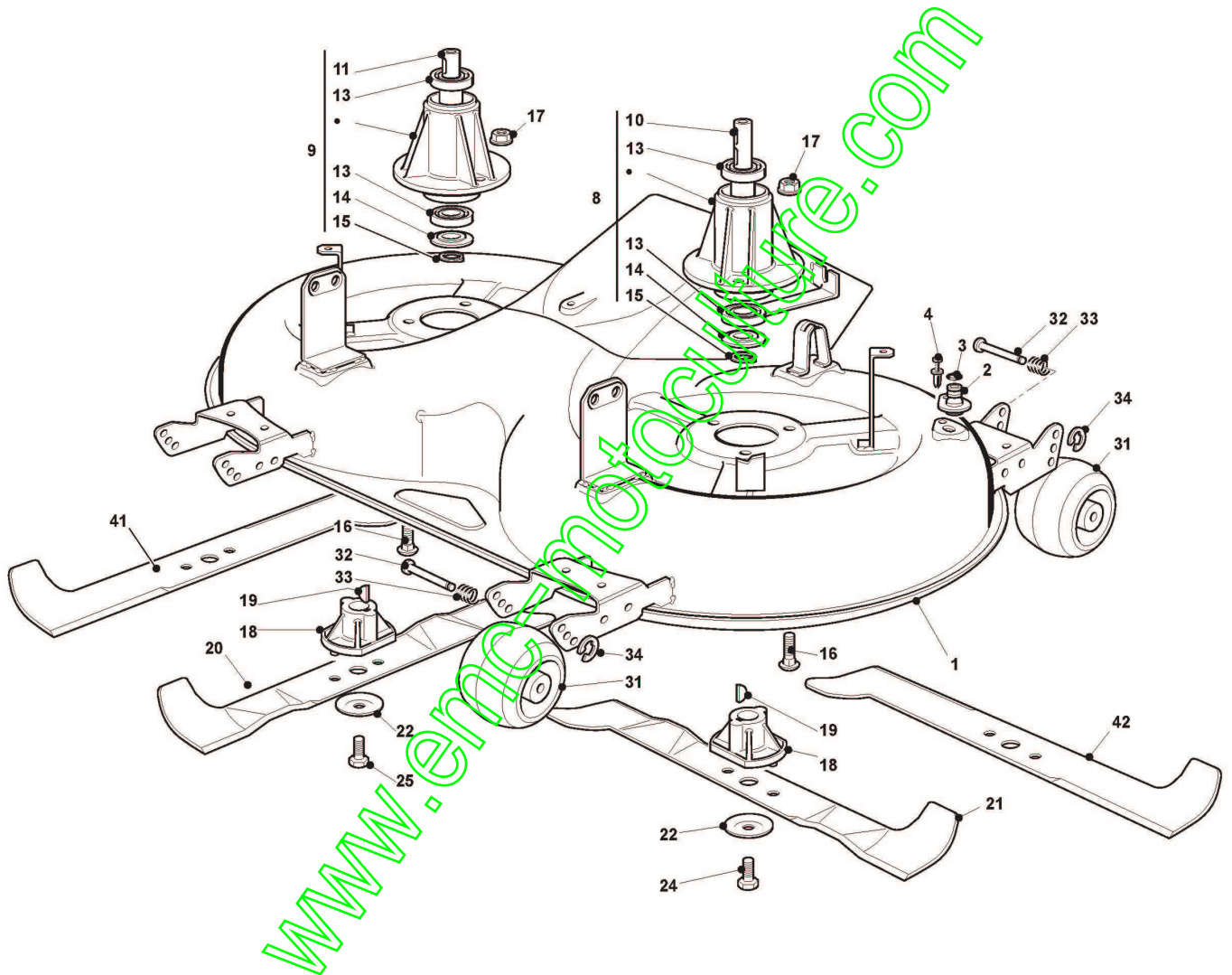
| Réf. N° | Q.té : | Code article | Description | Articles | De | Jusqu'à |
|---------|--------|--------------|----------------------|------------------------|----|---------|
| 1 | 1 | 382547031/0 | Plaque | To 31-August-2013 | | |
| 1 | 1 | 382547031/1 | Plaque | From 01-September-2013 | | |
| 2 | 4 | 112792611/0 | Vis | To 31-August-2016 | | |
| 2 | 4 | 112793102/0 | Vis | From 01-September-2016 | | |
| 3 | 4 | 112154220/0 | Ecrou | From 01-September-2016 | | |
| 3 | 4 | 112293201/0 | Ecrou | To 31-August-2016 | | |
| 4 | 1 | 382785084/1 | Support | To 31-August-2015 | | |
| 4 | 1 | 382785084/2 | Support | From 01-September-2015 | | |
| 5 | 2 | 125601561/0 | Poulie | | | |
| 6 | 2 | 119216048/0 | Roulement | | | |
| 7 | 2 | 112610800/0 | Anneau Ressort | | | |
| 8 | 2 | 112609200/0 | Seeger | | | |
| 9 | 1 | 325650037/0 | Reinforcement Poulie | To 31-August-2015 | | |
| 9 | 1 | 325650037/1 | Reinforcement Poulie | From 01-September-2015 | | |
| 10 | 2 | 112793102/0 | Vis | To 31-August-2016 | | |
| 10 | 2 | 9959-0820-16 | Vis | From 01-September-2016 | | |
| 11 | 2 | 112521350/0 | Rondelle | | | |
| 12 | 2 | 112583500/0 | Grower | | | |
| 13 | 4 | 125160003/1 | Entretoise | To 31-August-2014 | | |
| 13 | 4 | 125160003/2 | Entretoise | From 01-September-2014 | | |
| 14 | 4 | 125038000/0 | Douille | | | |
| 15 | 1 | 112691700/0 | Vis | | | |
| 16 | 3 | 112691200/0 | Vis | | | |
| 17 | 4 | 112521350/0 | Rondelle | | | |
| 18 | 4 | 112293201/0 | Ecrou | | | |
| 19 | 1 | 112793900/0 | Vis | | | |
| 20 | 1 | 112293200/0 | Ecrou | | | |
| 21 | 2 | 125601562/0 | Poulie | | | |
| 22 | 3 | 112139480/0 | Clavette | | | |
| 23 | 1 | 112793102/0 | Vis | | | |
| 24 | 1 | 125670007/0 | Rondelle | | | |
| 25 | 1 | 112583500/0 | Grower | | | |
| 26 | 1 | 135065601/0 | Courroie | | | |
| 27 | 3 | 112815200/0 | Vis | | | |
| 28 | 3 | 112292102/0 | Ecrou | | | |
| 29 | 1 | 125060101/2 | Protection | | | |
| 30 | 6 | 112735110/0 | Vis | | | |
| 31 | 1 | 125601549/0 | Poulie | | | |
| 32 | 1 | 112793102/0 | Vis | | | |
| 33 | 1 | 125670007/0 | Rondelle | | | |
| 34 | 1 | 112583500/0 | Grower | | | |
| 35 | 1 | 125160002/0 | Entretoise | To 31-August-2015 | | |
| 35 | 1 | 125160002/1 | Entretoise | From 01-September-2015 | | |
| 36 | 1 | 325318119/0 | Levier | To 31-August-2015 | | |
| 36 | 1 | 325318119/1 | Levier Frein | From 01-September-2015 | | |
| 40 | 1 | 125601555/0 | Poulie | To 31-August-2013 | | |
| 40 | 1 | 325601599/0 | Poulie | From 01-September-2013 | | |
| 41 | 1 | 125160007/0 | Entretoise | To 31-August-2010 | | |



Embrayage des Lames

| Réf. N° | Q.té : | Code article | Description | Articles | De | Jusqu'à |
|---------|--------|--------------|-------------|--|----|---------|
| 41 | 1 | 125160007/1 | Entretoise | From 01-September-2010 To 31-August-2013 | | |
| 41 | 1 | 125160079/0 | Entretoise | From 01-September-2013 | | |
| 42 | 1 | 112818900/0 | Vis | | | |
| 43 | 1 | 112523060/0 | Rondelle | | | |
| 44 | 1 | 112155000/0 | Ecrou | | | |
| 45 | 1 | 112793102/0 | Vis | To 31-August-2016 | | |
| 45 | 1 | 9959-0820-16 | Vis | From 01-September-2016 | | |
| 46 | 1 | 112523070/0 | Rondelle | | | |
| 47 | 1 | 112583500/0 | Grower | | | |
| 48 | 1 | 135062812/0 | Courroie | | | |
| 50 | 1 | 112523060/0 | Rondelle | To 31-August-2014 | | |
| 50 | 1 | 122671651/0 | Rondelle | From 01-September-2014 | | |
| 91 | 1 | 182004609/0 | Fil | | | |

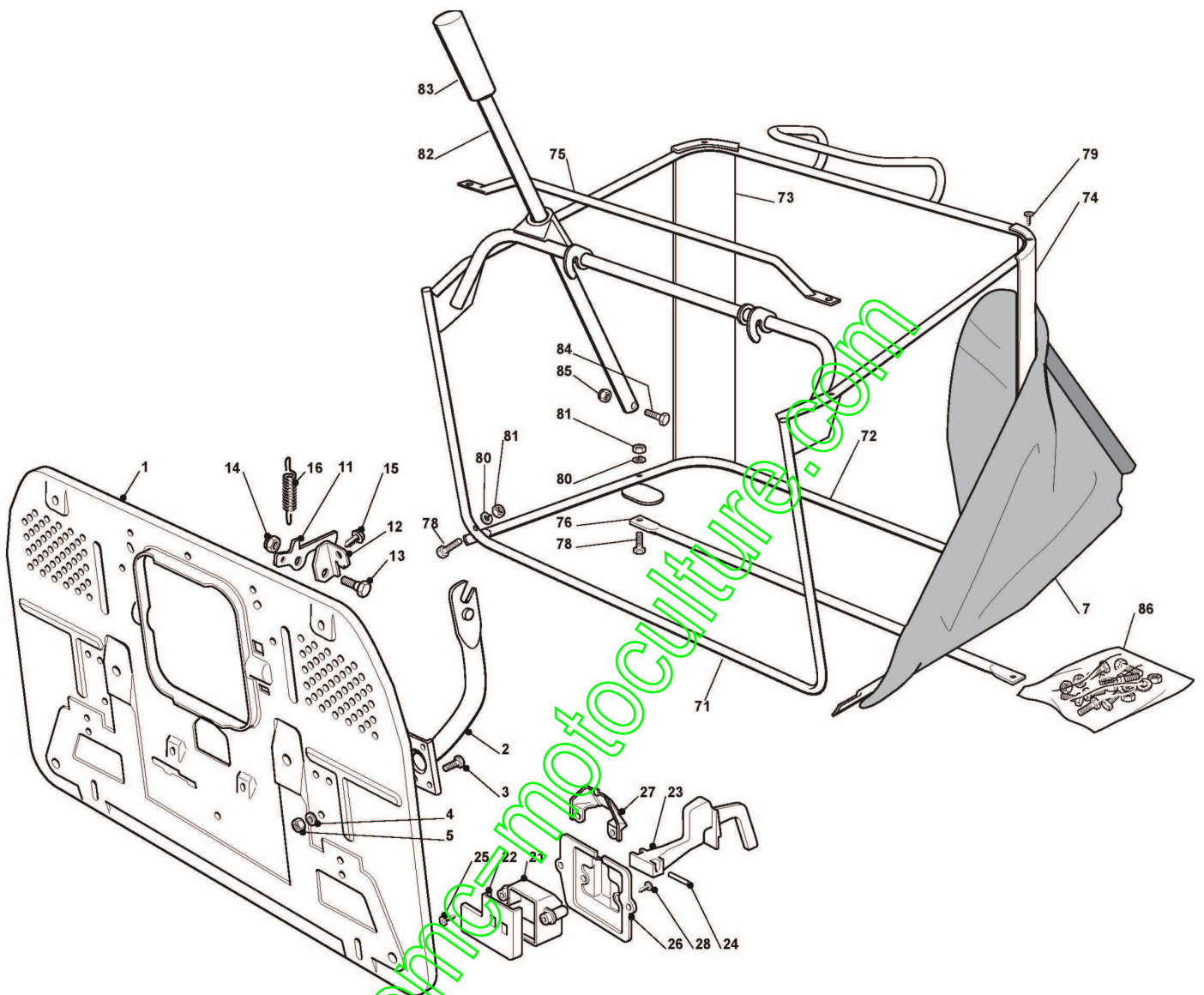
www.emc-motoculture.com



Plateau De Coupe

| Réf. N° | Q.té : | Code article | Description | Articles | De | Jusqu'à |
|---------|--------|---------------|---------------------------------|------------------------|----|---------|
| 1 | 1 | 382564213/0 | Plateau De Coupe Noir | | | |
| 2 | 2 | 125033060/0 | Attaque Lavage Plateau De Coupe | | | |
| 3 | 2 | 119035000/0 | Joint Or | | | |
| 4 | 2 | 112500030/0 | Rivet | | | |
| 8 | 1 | 382207200/1 | Ensemble Bride | To 31-August-2018 | | |
| 8 | 1 | 382207200/1LC | Ensemble Bride | From 01-September-2018 | | |
| 9 | 1 | 382207201/2 | Flange Arbre Lame Secondaire | To 31-August-2018 | | |
| 9 | 1 | 382207201/2LC | Flange Arbre Lame Secondaire | From 01-September-2018 | | |
| 10 | 1 | 125020800/1 | Arbre Lame Principal | | | |
| 11 | 1 | 125020801/2 | Arbre Lame Secondaire | | | |
| 13 | 4 | 119216047/0 | Roulement | | | |
| 14 | 2 | 325160501/0 | Protege-Poussiere | To 31-december-2018 | | |
| 14 | 2 | 325160501/1 | Protege-Poussiere | From 01-January-2019 | | |
| 15 | 2 | 112609260/0 | Seeger | | | |
| 16 | 6 | 9959-0825-16 | Vis | | | |
| 17 | 6 | 112154210/0 | Ecrou | | | |
| 18 | 2 | 125463200/0 | Moyeu Lame | | | |
| 19 | 2 | 112139100/0 | Languette | | | |
| 20 | 1 | 182004350/0 | Lame Droit Mulching | | | |
| 21 | 1 | 182004349/0 | Lame Gauche Mulching | | | |
| 22 | 2 | 125160503/0 | Flasque Elastique Moyeu | | | |
| 24 | 1 | 112735696/0 | Vis | | | |
| 25 | 1 | 112735697/1 | Vis | | | |
| 31 | 4 | 182700004/0 | Roulettes Antiscalp | | | |
| 32 | 4 | 125510121/0 | Pivot | To 31-August-2016 | | |
| 32 | 4 | 125510121/1 | Pivot | From 01-September-2016 | | |
| 33 | 4 | 122450115/0 | Ressort | | | |
| 34 | 4 | 112000930/0 | Anneau Benzing | | | |
| 41 | 1 | 182004343/0 | Lame Droit, Ailletée | | | |
| 42 | 1 | 182004342/0 | Lame Gauche, Ailletée | | | |

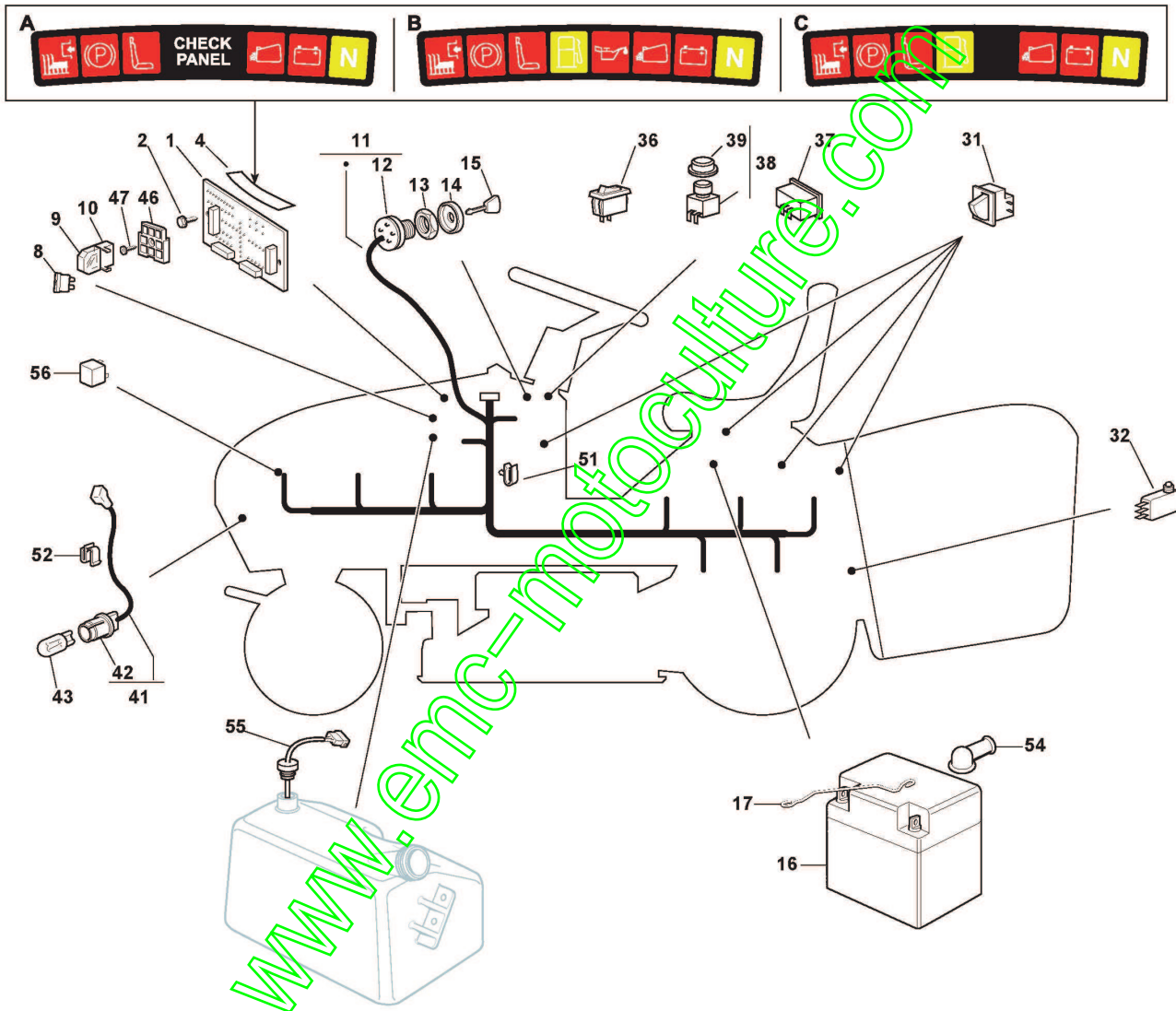
www.emc-motoculture.com



www.enimotoculture.com

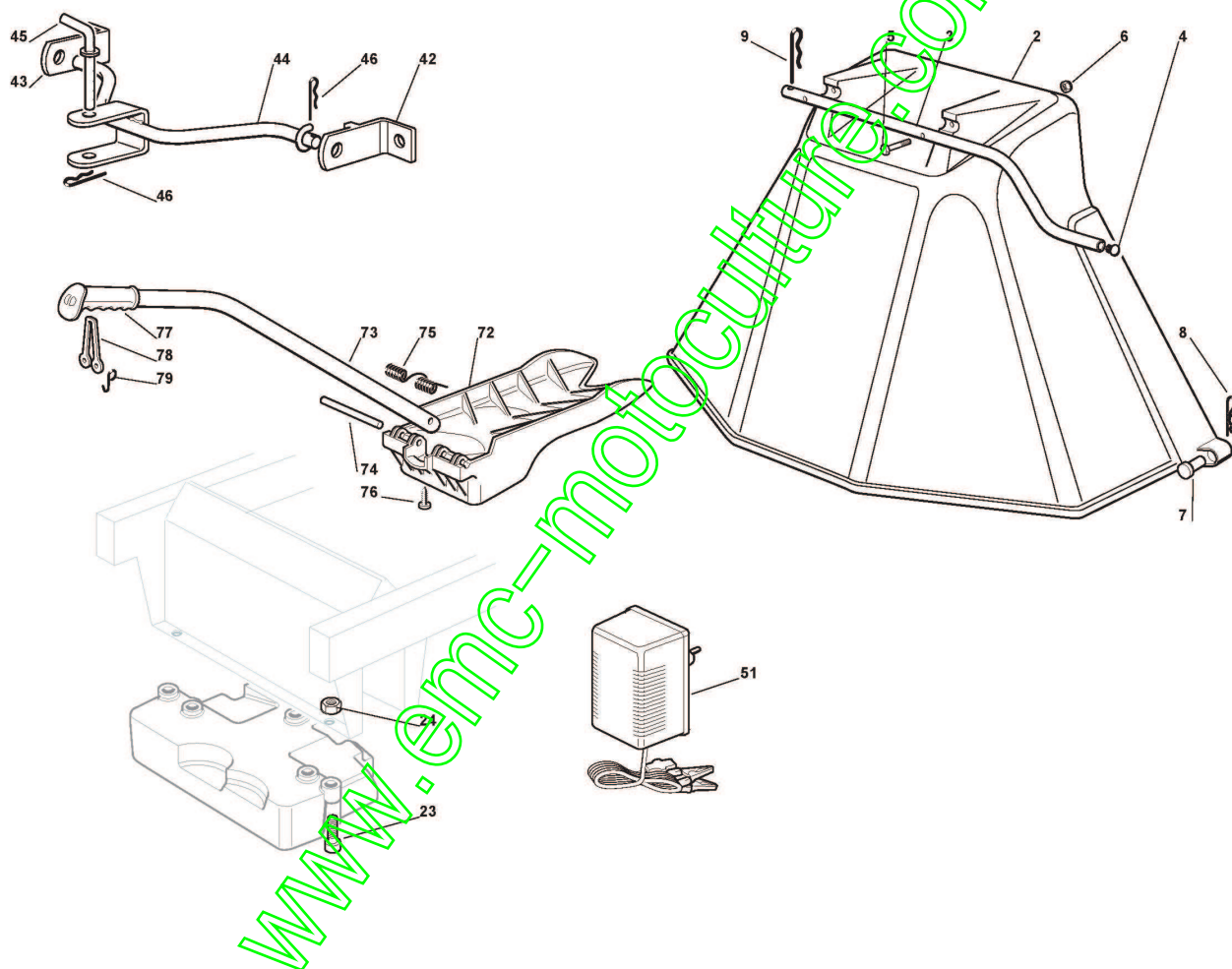
Bac

| Réf. N° | Q.té : | Code article | Description | Articles | De | Jusqu'à |
|---------|--------|--------------|------------------------------------|--|----|---------|
| 1 | 1 | 382547051/0 | Plaque Arriere | To 31-August-2016 | | |
| 1 | 1 | 382547051/1 | Plaque Arriere | From 01-September-2016 To 09-May-2019 | | |
| 1 | 1 | 382547053/1 | Plaque Arriere | From 10-May-2019 | | |
| 2 | 2 | 182774225/1 | Etrier | | | |
| 3 | 6 | 112793102/0 | Vis | | | |
| 4 | 6 | 112523060/0 | Rondelle | | | |
| 5 | 6 | 112293201/0 | Ecrou | | | |
| 11 | 1 | 325774315/1 | Etrier | From 01-September-2010 | | |
| 11 | 1 | 325774417/0 | Etrier | To 31-August-2010 | | |
| 12 | 1 | 325755031/0 | Etrier | To 31-August-2010 | | |
| 12 | 1 | 325755031/1 | Equerre-Support | From 01-September-2010 To 31-August-2015 | | |
| 12 | 1 | 325755031/2 | Equerre-Support | From 01-September-2015 | | |
| 13 | 1 | 125510080/0 | Pivot | To 31-August-2010 | | |
| 13 | 1 | 125510080/1 | Pivot | From 01-September-2010 To 31-August-2016 | | |
| 13 | 1 | 125510080/2 | Pivot | From 01-September-2016 | | |
| 14 | 1 | 112292102/0 | Ecrou | | | |
| 15 | 1 | 112735122/0 | Vis | To 31-August-2014 | | |
| 15 | 1 | 112735122/1 | Vis | From 01-September-2014 To 31-August-2016 | | |
| 15 | 1 | 112735661/0 | Vis | From 01-September-2016 | | |
| 16 | 1 | 125430210/1 | Ressort Frein | From 01-September-2010 | | |
| 16 | 1 | 127430579/0 | Ressort | To 31-August-2010 | | |
| 21 | 1 | 125600041/0 | Grassc.Full Micro Protection Tcj-F | | | |
| 22 | 1 | 125600042/0 | Grasscatcher Micro Prot Cover | | | |
| 23 | 1 | 125318124/0 | Levier Microint. | | | |
| 24 | 1 | 112400030/0 | Pivot | | | |
| 25 | 1 | 112728510/0 | Vis | | | |
| 26 | 1 | 325785272/0 | Protection Micro | To 31-August-2017 | | |
| 26 | 1 | 325785272/1 | Protection Micro | From 01-September-2017 | | |
| 27 | 1 | 125600048/0 | Couvercle Micro | | | |
| 28 | 2 | 112728450/0 | Vis | | | |
| 71 | 1 | 382800051/0 | Chassis Supérieur | | | |
| 72 | 1 | 382800002/2 | Chassis Inférieur | | | |
| 73 | 1 | 325032001/1 | Support Angulaire Droit | | | |
| 74 | 1 | 325032002/1 | Support Angulaire Gauche | | | |
| 75 | 1 | 382394001/2 | Poignée Anterieure | | | |
| 76 | 1 | 382650038/0 | Renforcement Inferieure | | | |
| 78 | 4 | 112792099/0 | Vis | | | |
| 79 | 4 | 112729601/1 | Vis | From 01-September-2003 | | |
| 80 | 4 | 112582101/0 | Grower | | | |
| 81 | 4 | 112292100/0 | Ecrou | | | |
| 82 | 1 | 125869029/1 | Tube | | | |
| 83 | 1 | 125394508/0 | Poignée | | | |
| 84 | 1 | 112792099/0 | Vis | | | |
| 85 | 1 | 112154510/0 | Ecrou | | | |
| 86 | 1 | 382180027/1 | Dotation Visserie | | | |



Parties Electriques

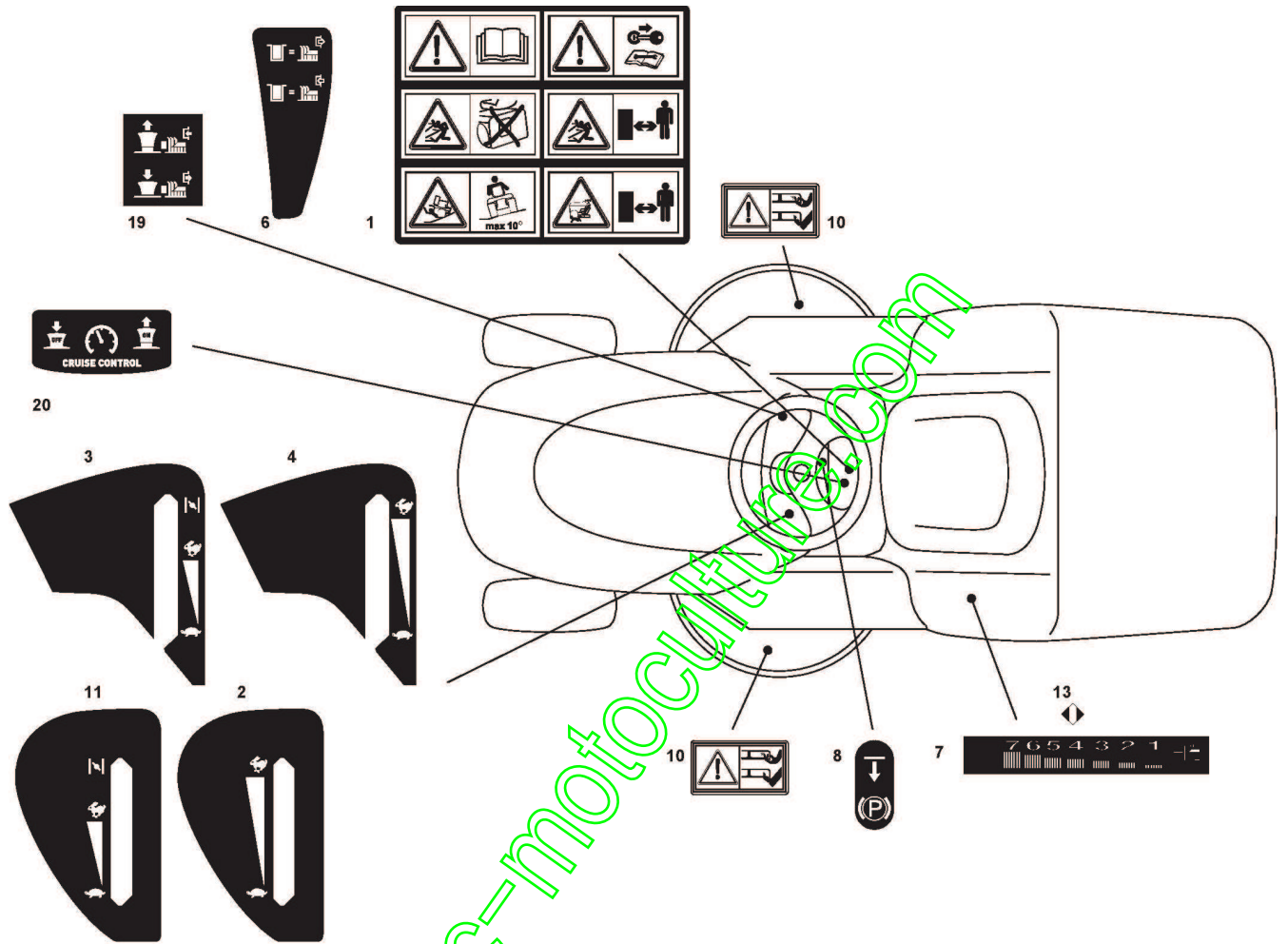
| Réf. N° | Q.té : | Code article | Description | Articles | De | Jusqu'à |
|---------|--------|---------------|-------------------------------|--|----|---------|
| 1 | 1 | 125722413/1 | Carte Electronique | To 31-August-2014 | | |
| 1 | 1 | 125722441/0 | Carte Electronique | From 01-September-2014 | | |
| 2 | 3 | 112735105/0 | Vis | | | |
| 4 | 1 | 125420005/0 | Panneau De Controle (B) | | | |
| 8 | 1 | 133340036/0 | Fusible 25 A | | | |
| 8 | 1 | 133340040/0 | Fusible 10 A | | | |
| 9 | 2 | 133215000/0 | Couvercle | | | |
| 10 | 2 | 133500007/0 | Tableau De Fusible | | | |
| 11 | 1 | 182040137/0 | Ens. Cablages | To 31-August-2013;until S/N 381809 | | |
| 11 | 1 | 182040193/0 | Ens. Cablages | From 28-July-2014 To 23-October-2014 | | |
| 11 | 1 | 182040206/0 | Ens. Cablages - ISO | From 01-September-2014 To 31-August-2015;from S/N 381877 | | |
| 11 | 1 | 182040206/1 | Ens. Cablages - ISO | From 01-September-2015 To 31-August-2016 | | |
| 11 | 1 | 182040206/2 | Ens. Cablages - ISO | From 01-September-2016 | | |
| 12 | 1 | 118450065/1 | Interrupteur Demarrage | | | |
| 13 | 1 | 118400861/0 | Embout | | | |
| 14 | 1 | 118565351/0 | Protection Embout | | | |
| 15 | 1 | 118210016/1 | Clef A Demarrage | | | |
| 16 | 1 | 118120002/1 | Batterie | To 31-August-2016 | | |
| 16 | 1 | 118120007/0 | Batterie | From 01-September-2016 | | |
| 17 | 1 | 125430230/0 | Ressort | | | |
| 31 | 3 | 119410613/0 | Microinterrupteur | To 31-August-2019 | | |
| 31 | 1 | 119410622/1 | Microinterrupteur | From 01-September-2019 | | |
| 32 | 1 | 119410605/1 | Microinterrupteur | | | |
| 36 | 1 | 118450060/1 | Interrupteur Phares | To 31-August-2016 | | |
| 36 | 1 | 118450060/1LC | Interrupteur Phares | From 01-September-2016 To 26-June-2019 | | |
| 36 | 1 | 118450084/0 | Interrupteur Phares | From 27-June-2019 | | |
| 37 | 1 | 118230000/0 | Hour Counter Hobbs Type 82001 | To 31-August-2013 | | |
| 37 | 1 | 9400-0384-01 | Hour Counter | From 01-September-2013 | | |
| 38 | 1 | 118450067/0 | Interrupteur | | | |
| 39 | 1 | 118203852/0 | Capot | | | |
| 41 | 1 | 182040073/0 | Câble de phare | for LAMP Version | | |
| 42 | 2 | 133500030/0 | Douille De Lampe | | | |
| 43 | 2 | 118459100/0 | Ampoule De Phares | | | |
| 46 | 1 | 133500010/1 | Plaque | | | |
| 47 | 1 | 112735170/0 | Vis | | | |
| 51 | 5 | 133320506/0 | Fixation Cable | | | |
| 52 | 1 | 133320504/0 | Fixation Cable | | | |
| 54 | 1 | 118564864/1 | Capuchon | | | |
| 55 | 1 | 125290000/0 | Indicateur Niveau Essence | | | |
| 56 | 1 | 133567000/0 | Relais | | | |



Accessoires Sur Demande

| Réf. N° | Q.té : | Code article | Description | Articles | De | Jusqu'à |
|---------|--------|--------------|---|------------------------|----|---------|
| 2 | 1 | 382400003/1 | Protection Sortie | From 01-September-2006 | | |
| 3 | 1 | 325869043/0 | Support Arriere | | | |
| 4 | 2 | 118566112/0 | Bouchon Tube Guidon | | | |
| 5 | 2 | 112689515/0 | Vis | | | |
| 6 | 2 | 112154510/0 | Ecrou | | | |
| 7 | 2 | 125510022/0 | Pivot | To 31-August-2012 | | |
| 7 | 1 | 125510022/1 | Pivot | From 01-September-2012 | | |
| 8 | 2 | 124487998/0 | Goupille | | | |
| 9 | 1 | 124487999/0 | Goupille | | | |
| 23 | 3 | 112760520/0 | Vis | | | |
| 24 | 3 | 112155000/0 | Ecrou | | | |
| 42 | 1 | 382735502/0 | Etrier | | | |
| 43 | 1 | 325774213/0 | Etrier | | | |
| 44 | 1 | 382033105/1 | Tige | To 31-August-2014 | | |
| 44 | 1 | 382033115/0 | Barre De Trainage | From 01-September-2014 | | |
| 45 | 1 | 125510021/1 | Pivot | | | |
| 46 | 2 | 124487999/0 | Goupille | | | |
| 51 | 1 | 182180050/0 | Chargeur De Batteries | From 01-September-2009 | | |
| 51 | 1 | 182180090/0 | Chargeur De Batteries 12V 1A - CE Plugg | To 31-August-2009 | | |
| 72 | 1 | 125140092/0 | Deflecteur | | | |
| 73 | 1 | 325394005/0 | Guidon | | | |
| 74 | 1 | 125510077/0 | Pivot | | | |
| 75 | 1 | 125430245/0 | Ressort | | | |
| 76 | 1 | 112735405/0 | Vis | | | |
| 77 | 1 | 325280000/1 | Branche | | | |
| 78 | 1 | 125840011/1 | Tirant | From 01-September-2003 | | |
| 79 | 2 | 125253004/0 | Crochet Fixage Kit Mulching | | | |

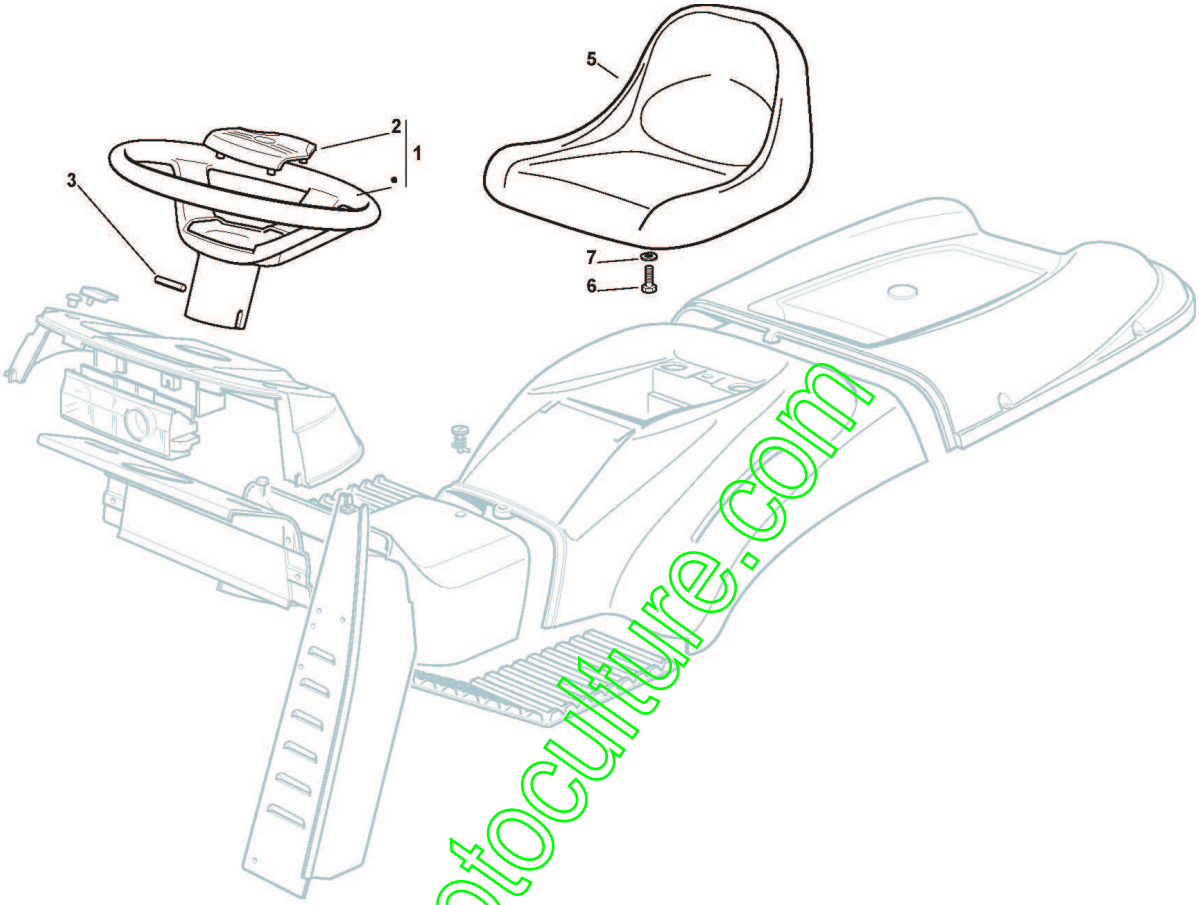
www.emc-motoculture.com



Etiquettes

| Réf. N° | Q.té : | Code article | Description | Articles | De | Jusqu'à |
|---------|--------|--------------|-------------------------|------------------------|----|---------|
| 1 | 1 | 114357428/1 | Etiquette | To 31-August-2016 | | |
| 1 | 1 | 114361553/1 | Etiquette | From 01-September-2016 | | |
| 2 | 1 | 114356756/2 | Etiquette daccélérateur | | | |
| 3 | 1 | 114356177/2 | Etiquette daccélérateur | | | |
| 4 | 1 | 114356184/3 | Etiquette daccélérateur | | | |
| 6 | 1 | 114357967/0 | Etiquette | | | |
| 7 | 1 | 114357905/0 | Etiquette | | | |
| 8 | 1 | 114357526/1 | Etiquette | | | |
| 10 | 2 | 114356699/1 | Etiquette | | | |
| 11 | 1 | 114356754/1 | Etiquette daccélérateur | | | |
| 13 | 1 | 114357913/0 | Etiquette | | | |
| 19 | 1 | 114360912/0 | Etiquette | | | |
| 20 | 1 | 114365612/0 | Etiquette | To 31-August-2017 | | |
| 20 | 1 | 114365612/1 | Etiquette daccélérateur | From 01-September-2017 | | |

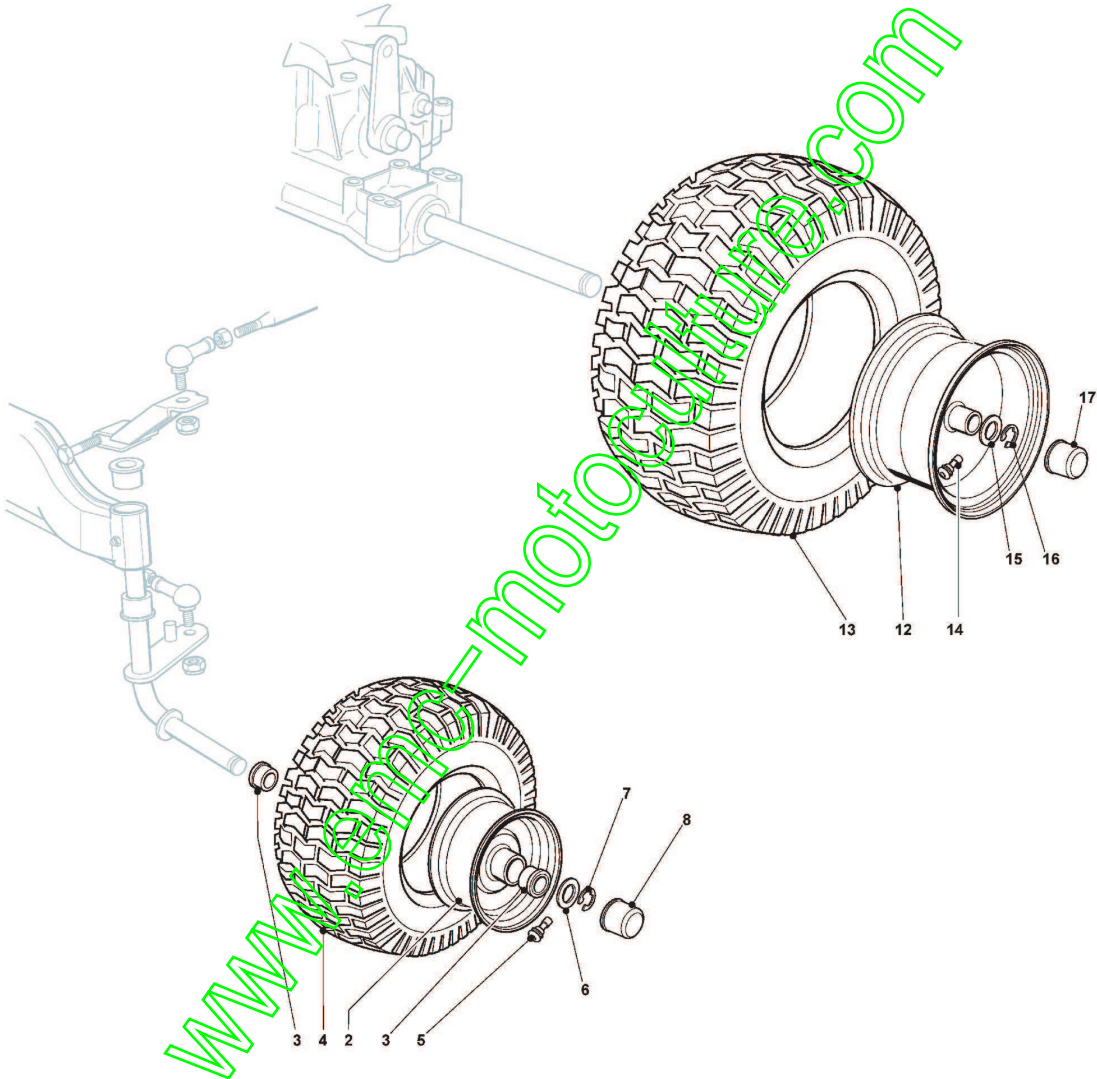
www.emc-motoculture.com



Siege & Volant

| Réf. N° | Q.té : | Code article | Description | Articles | De | Jusqu'à |
|---------|--------|--------------|--------------------|----------|----|---------|
| 1 | 1 | 125961217/0 | Volant | | | |
| 2 | 1 | 325580505/0 | Bouchon | | | |
| 3 | 1 | 112620299/0 | Goupille Élastique | | | |
| 5 | 1 | 125722451/2 | Siege | | | |
| 6 | 4 | 112793102/0 | Vis | | | |
| 7 | 4 | 112583500/0 | Grower | | | |

www.emc-motoculture.com



Roues

| Réf. N° | Q.té : | Code article | Description | Articles | De | Jusqu'à |
|---------|--------|--------------|---------------------------|-----------------------------|----|---------|
| 2 | 2 | 182000590/1 | Bandage Roue | | | |
| 3 | 4 | 125122200/2 | Roulement | | | |
| 4 | 2 | 125590019/0 | Pneu 15x6.00-6 P512 WANDA | 15X6.00-6 PR2 TL P512 WANDA | | |
| 5 | 2 | 125950000/0 | Vanne | | | |
| 6 | 2 | 125670005/2 | Rondelle | | | |
| 7 | 2 | 112001000/0 | Anneau Benzing | | | |
| 8 | 2 | 122110230/0 | Couvre Moyeu | | | |
| 8 | 2 | 322110239/0 | Couvre Moyeu | | | |
| 12 | 2 | 182000592/0 | Bandage Roue Arriere | | | |
| 13 | 2 | 125590021/0 | Pneu 18x8.50-8 P512 WANDA | 18X8.50-8 PR2 TL P512 WANDA | | |
| 14 | 2 | 125950000/0 | Vanne | | | |
| 15 | 2 | 125670005/2 | Rondelle | | | |
| 16 | 2 | 112001010/0 | Anneau Benzing | | | |
| 17 | 2 | 122110230/0 | Couvre Moyeu | | | |
| 17 | 2 | 322110239/0 | Couvre Moyeu | | | |

www.emc-motoculture.com

www.emc-motoculture.com