

Genuine Spare Parts

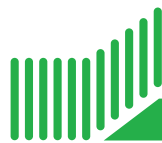
Catalogo delle parti di ricambio
Spare parts catalogue
Catalogue des pieces de rechange
Ersatzteilkatalog

2006

- Use GLOBAL GARDEN PRODUCT Genuine Spare Parts specified in the parts list for repair and/or replacement.
- The contents described in the parts list may change due to improvement.
- The drawings of the spare parts are only indicative and might not represent the part in question exactly.
- The indications "right" - "left" - "front" - "rear" refer to the position of the operator when using the machine.
- When placing orders of parts for repair and/or replacement, make sure that the illustrated parts list is the one applying to the machine's year of manufacture, as shown on the identification plate attached to the machine.

COPYRIGHT by GLOBAL GARDEN PRODUCTS

All rights reserved. No part of this material may be reproduced or transmitted, in any form or by any means, electronic or mechanical, including photocopying, recording or by any information storage and retrieval system, without permission in writing from GLOBAL GARDEN PRODUCTS.



GLOBAL GARDEN PRODUCTS

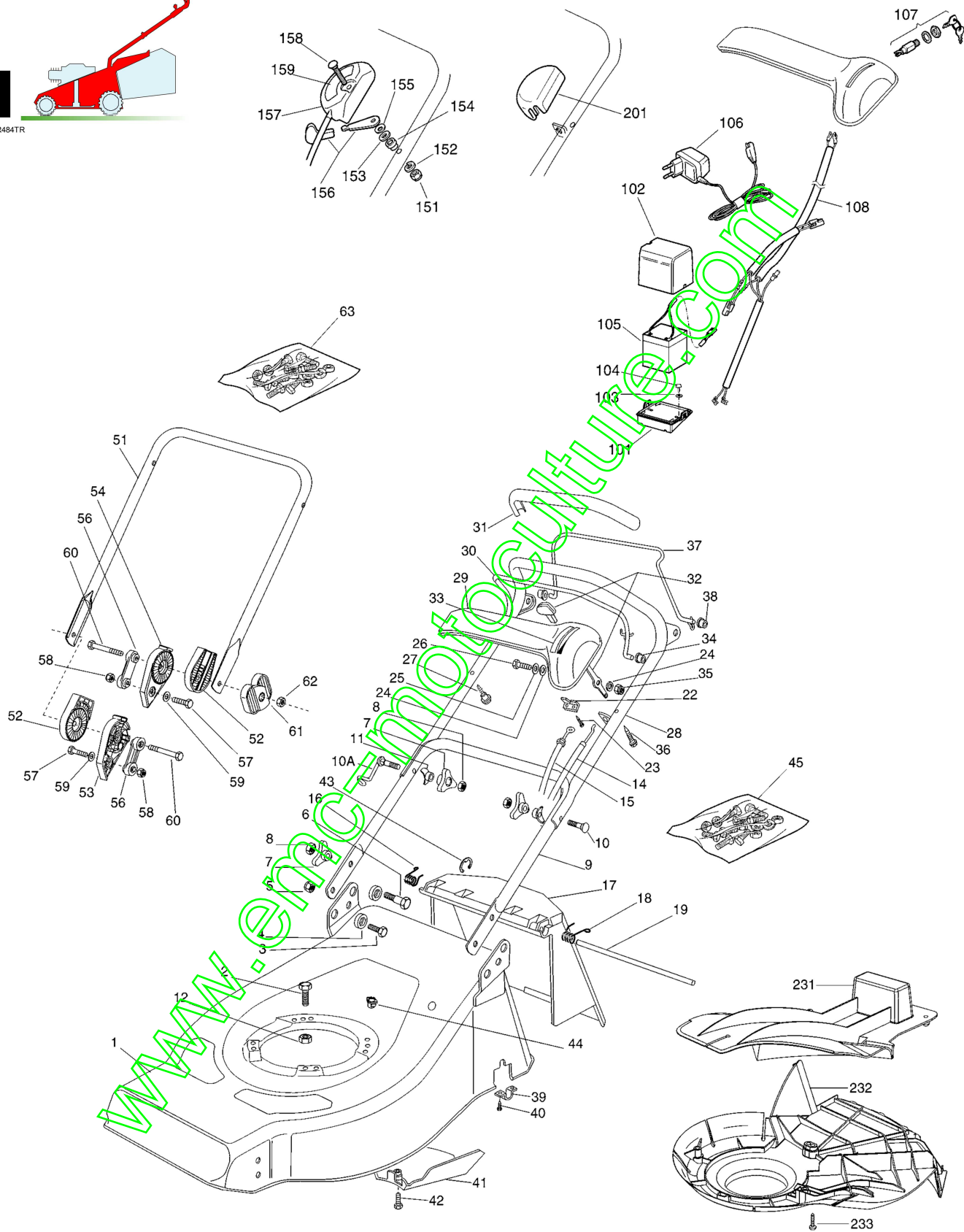
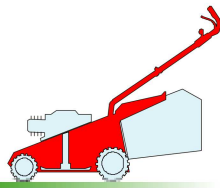


GLOBAL GARDEN PRODUCTS

R 434 TR - R 484 TR/TR-E - R 534 TR/TR-E

1

01D_R484TR



Pos.	Code	Q.ty	Descrizione	Description	Description	Beshreibung	Remarks
1	81001628/0	1	CHASSIS GIALLO	DECK YELLOW	CHÂSSIS JAUNE	GEHÄUSE GELB	(R 434 TR)
-	81001627/0	1	CHASSIS ROSSO	DECK RED	CHÂSSIS ROUGE	GEHÄUSE ROT	(R 434 TR)
-	81001629/0	1	CHASSIS VERDE	DECK GREEN	CHÂSSIS VERT	GEHÄUSE GRÜN	(R 434 TR)



R 434 TR - R 484 TR/TR-E - R 534 TR/TR-E

GLOBAL GARDEN PRODUCTS

Pos.	Code	Q.ty	Descrizione	Description	Description	Beshreibung	Remarks
1	81002457/0	1	CHASSIS GIALLO	DECK YELLOW	CHÂSSIS JAUNE	GEHÄUSE GELB	(R 484 TR / R 484 TR-E)
-	81002456/1	1	CHASSIS ROSSO	DECK RED	CHÂSSIS ROUGE	GEHÄUSE ROT	(R 484 TR / R 484 TR-E)
-	81002460/0	1	CHASSIS VERDE	DECK GREEN	CHÂSSIS VERT	GEHÄUSE GRÜN	(R 484 TR / R 484 TR-E)
-	81002405/0	1	CHASSIS ROSSO	DECK RED	CHÂSSIS ROUGE	GEHÄUSE ROT	(R 484 TR / TR-E MULCHING)
-	81001969/0	1	CHASSIS GIALLO	DECK YELLOW	CHÂSSIS JAUNE	GEHÄUSE GELB	(R 534 TR)
-	81001967/0	1	CHASSIS ROSSO	DECK RED	CHÂSSIS ROUGE	GEHÄUSE ROT	(R 534 TR)
-	81001971/0	1	CHASSIS VERDE	DECK GREEN	CHÂSSIS VERT	GEHÄUSE GRÜN	(R 534 TR)
-	81001970/0	1	CHASSIS GIALLO	DECK YELLOW	CHÂSSIS JAUNE	GEHÄUSE GELB	(R 534 TR-E)
-	81001968/0	1	CHASSIS ROSSO	DECK RED	CHÂSSIS ROUGE	GEHÄUSE ROT	(R 534 TR-E)
-	81001972/0	1	CHASSIS VERDE	DECK GREEN	CHÂSSIS VERT	GEHÄUSE GRÜN	(R 534 TR-E)
2	12793701/0	3/2	VITE	SCREW	VIS	SCHRAUBE	
-	12691800/0	0/1	VITE	SCREW	VIS	SCHRAUBE	
3	12792610/0	2	VITE	SCREW	VIS	SCHRAUBE	
4	22041955/0	4	BUSSOLA	BUSH	DOUILLE	BUCHSE	
5	12155000/0	2	DADO	NUT	ECROU	MUTTER	
6	12793700/0	2	VITE	SCREW	VIS	SCHRAUBE	
7	22399900/0	4	MANOPOLINA	KNOB	POIGNÉE	GRIFF	
8	12293200/0	4	DADO	NUT	ECROU	MUTTER	
9	81006512/0	1	MANICO INFERIORE	HANDLE, LOWER PART	MANCHERON INFERIEURE	HOLM, UNTERTEIL	(R 434 TR - R 484 TR / R 484 TR-E)
-	81006990/0	1	MANICO INFERIORE	HANDLE, LOWER PART	MANCHERON INFERIEURE	HOLM, UNTERTEIL	(R 534 TR/R 534 TR-E)
10	12819201/0	1	VITE	SCREW	VIS	SCHRAUBE	
10A	81003801/1	1	MOLLA GUIDA	GUIDE SPRING	RESSORT DE GUIDE	FEDER FÜHRER	
11	22680006/1	2	ROSETTA	WASHER	RONDELLE	SCHLEIBE	
12	12293201/0	3/2	DADO	NUT	ECROU	MUTTER	
-	12155000/0	0/1	DADO	NUT	ECROU	MUTTER	
14	81007160/0	1	CAVO ACCELERATORE	CABLE, TROTTLE	CABLE, ACCELERATEUR	KABEL, BESCHLEUNIGER	
15	81000625/0	1	CAVO FRENO MOTORE	CABLE, THREAD MOTOR BRAKE	CABLE FREIN MOTEUR	KABEL, MOTORBREMSE	(B&S CLASSIC/SPRINT/LS/LC R 434 TR - R 484 TR/TR-E)
-	81000643/0	1	CAVO FRENO MOTORE	CABLE, THREAD MOTOR BRAKE	CABLE FREIN MOTEUR	KABEL, MOTORBREMSE	(B&S CLASSIC/SPRINT/LS/LC R 534 TR/TR-E)
-	81000633/0	1	CAVO FRENO MOTORE	CABLE, THREAD MOTOR BRAKE	CABLE FREIN MOTEUR	KABEL, MOTORBREMSE	(B&S QUANTUM/ES45 R 434 TR)
-	81000642/0	1	CAVO FRENO MOTORE	CABLE, THREAD MOTOR BRAKE	CABLE FREIN MOTEUR	KABEL, MOTORBREMSE	(B&S QUANTUM/ES45 R 534 TR/TR-E)
-	81000631/0	1	CAVO FRENO MOTORE	CABLE, THREAD MOTOR BRAKE	CABLE FREIN MOTEUR	KABEL, MOTORBREMSE	(B&S QUANTUM/ES45 R 484 TR/TR-E)
-	81000641/0	1	CAVO FRENO MOTORE	CABLE, THREAD MOTOR BRAKE	CABLE FREIN MOTEUR	KABEL, MOTORBREMSE	(HONDA GCV 135/160 R 484 TR/TR-E)
-	81000640/0	1	CAVO FRENO MOTORE	CABLE, THREAD MOTOR BRAKE	CABLE FREIN MOTEUR	KABEL, MOTORBREMSE	(HONDA GCV 135/160 R 534 TR/TR-E)
-	81000611/0	1	CAVO FRENO MOTORE	CABLE, THREAD MOTOR BRAKE	CABLE FREIN MOTEUR	KABEL, MOTORBREMSE	(SUMEC R 434 TR - R 484 TR)
-	81000629/1	1	CAVO FRENO MOTORE	CABLE, THREAD MOTOR BRAKE	CABLE FREIN MOTEUR	KABEL, MOTORBREMSE	(TECUMSEH R 434 TR - R 484 TR/TR-E)
-	81000644/0	1	CAVO FRENO MOTORE	CABLE, THREAD MOTOR BRAKE	CABLE FREIN MOTEUR	KABEL, MOTORBREMSE	(TECUMSEH R 534 TR/TR-E)
16	22450410/1	1	MOLLA DX	R SPRING	RESSORT D	RECHTE FEDER	
17	22600028/1	1	PARASASSI	STONE-GUARD	PARE-PIERRES	PRALLBLECH	
18	22450420/1	1	MOLLA SX	L SPRING	RESSORT G	LINKE FEDER	
19	22517906/1	1	PERNO	PIN	PIVOT	BOLZEN	
22	22981467/0	1	PIASTRINA	PLATE	PLAQUETTE	PLÄTTCHEN	
23	12735105/0	2	VITE	SCREW	VIS	SCHRAUBE	
24	12523040/0	2	ROSETTA	WASHER	RONDELLE	SCHLEIBE	
25	12530060/0	1	ROSETTA ELASTICA	SPRING WASHER	RONDELLE ELASTIQUE	ELASTISCHE SCHLEIBE	
26	12791500/0	1	VITE	SCREW	VIS	SCHRAUBE	
27	22943006/0	1	VITE	SCREW	VIS	SCHRAUBE	
28	81007024/0	1	MANICO SUPERIORE	HANDLE, UPPER PART	MANCHERON SUPERIEURE	HOLM, OBERTEIL	
29	22120152/0	1	CRUSCOTTO GIALLO	DASH BOARD YELLOW	CONSOLE JAUNE	KONSOLE GELBE	
-	22120158/0	1	CRUSCOTTO NERO	DASH BOARD BLACK	CONSOLE NOIRE	KONSOLE SCHWARZE	
-	22120154/0	1	CRUSCOTTO ROSSO	DASH BOARD RED	CONSOLE ROUGE	KONSOLE ROTE	



GLOBAL GARDEN PRODUCTS

Pos.	Code	Q.ty	Descrizione	Description	Description	Beshreibung	Remarks
30	81003291/3	1	LEVA FRENO MOTORE	LEVER, MOTOR BRAKE	LEVIER FREIN MOTEUR	HEBEL, MOTORBREMSE	
31	22291052/0	1	IMPUGNATURA MANICO GIALLA	HANDGRIP YELLOW	POIGNÉE JAUNE	HANDGRIFF GELBER	
-	22291050/0	1	IMPUGNATURA MANICO NERA	HANDGRIP BLACK	POIGNÉE NOIRE	HANDGRIFF SCHWARZER	
-	22291051/0	1	IMPUGNATURA MANICO ROSSA	HANDGRIP RED	POIGNÉE ROUGE	HANDGRIFF RÖTER	
32	81007280/2	1	LEVA, ACCELERATORE	LEVER, THROTTLE	LEVIER, ACCELERATEUR	HEBEL, BESHLEUNIGER	
33	14356744/0	1	ETICHETTA	LABEL	ETIQUETTE	ETIKETTE	(B&S)
-	14356743/0	1	ETICHETTA	LABEL	ETIQUETTE	ETIKETTE	(HONDA)
-	14361129/0	1	ETICHETTA	LABEL	ETIQUETTE	ETIKETTE	(SUMEC)
-	14357646/0	1	ETICHETTA	LABEL	ETIQUETTE	ETIKETTE	(TECUMSEH)
34	22041966/0	2	BUSSOLA	BUSH	DOUILLE	BUCHSE	
35	12154510/0	1	DADO	NUT	ECROU	MUTTER	
36	12728460/0	1	VITE	SCREW	VIS	SCHRAUBE	
37	81003288/1	1	LEVA TRAZIONE	DRIVING LEVER	LEVIER TRACTION	ANTRIEBHEBEL	
38	22041965/1	2	BUSSOLA	BUSH	DOUILLE	BUCHSE	
39	22545152/0	2	PIASTRINA	PLATE	PLAQUETTE	PLÄTTCHEN	
40	12731350/0	4	VITE	SCREW	VIS	SCHRAUBE	
41	22060170/1	1	CARTER CINGHIA	PROTECTION, BELT	PROTECTION COURROIRE	SCHUTZ, RIEMEN	(R 434 TR)
-	22060180/0	1	CARTER CINGHIA	PROTECTION, BELT	PROTECTION COURROIRE	SCHUTZ, RIEMEN	(R 484 TR/R 484 TR-E)
-	22060193/0	1	CARTER CINGHIA	PROTECTION, BELT	PROTECTION COURROIRE	SCHUTZ, RIEMEN	(R 534 TR/R 534 TR-E)
42	12727791/0	1	VITE	SCREW	VIS	SCHRAUBE	(R 434 TR - R 484 TR/TR-E)
-	12728530/0	1	VITE	SCREW	VIS	SCHRAUBE	(R 484 TR/TR-E MULCHING R 534 TR/TR-E)
43	12000930/0	1	ANELLO ELASTICO	SNAP RING	ANNEAU RESSORT	SPRENGRING	
44	22291150/0	1	INSERTO IN GOMMA	RUBBER INSERT	INSERT DE GAOUTCHOU	GUMMI EINSATZ	
45	81008609/0	1	DOTAZIONE VITERIA CRUSCOTTO	OUTFIT, DASH-BOARD SCREWS	DOTATION VISSERIE CONSOLLE	SATZ, KONSOLE SCHRAUBEN	
46	81008614/3	1	DOTAZIONE VITERIA	OUTFIT, SCREWS	DOTATION VISSERIE	SATZ, SCHRAUBEN	

VARIANTE REGOLAZIONE MANICO - HANDLE ADJUSTMENT MODIFICATION - MODIFICATION REGLAGE POIGNEE - ÄNDERUNG GRIFFENSTEEL

Pos.	Code	Q.ty	Descrizione	Description	Description	Beshreibung	Remarks
51	81006532/0	1	MANICO INFERIORE	HANDLE, LOWER PART	MANCHERON INFERIEURE	HOLM, UNTERTEIL	
52	22785081/1	2	SUPPORTO ESTERNO	SUPPORT, EXTERNAL	SUPPORT EXTERNE	HALTER, AUßERE	
53	22785082/0	1	SUPPORTO INTERNO DX	SUPPORT, R INTERNAL	SUPPORT INTERNE D	HALTER, INNERE R	
54	22785083/1	1	SUPPORTO INTERNO SX	SUPPORT, L INTERNAL	SUPPORT INTERNE G	HALTER, INNERE L	
56	22551575/0	2	PIASTRINA INTERNA	PLATE, INSIDE	PLAQUETTE INTERNE	PLATTE, INNERE	
57	12793701/0	2	VITE	SCREW	VIS	SCHRAUBE	
58	12155000/0	2	DADO	NUT	ECROU	MUTTER	
59	12521350/0	2	ROSETTA	WASHER	RONDELLE	SCHEIBE	
60	12691810/0	2	VITE	SCREW	VIS	SCHRAUBE	
61	22399803/0	2	MANOPOLINA	KNOB	POIGNÉE	GRIFF	
62	12293202/0	2	DADO	NUT	ECROU	MUTTER	
63	81008623/1	1	DOTAZIONE VITERIA	OUTFIT, SCREWS	DOTATION VISSERIE	SATZ, SCHRAUBEN	

VARIANTI PER AVVIAMENTO ELETTRICO - PARTS FOR ELECTIC START - COMPOSANTS POUR DÉMARRAGE ÉLÉCTRIQUE - ELEKTROSTART BESTANDTEILE

Pos.	Code	Q.ty	Descrizione	Description	Description	Beshreibung	Remarks
101	22785123/0	1	SUPPORTO BATTERIA	SUPPORT, BATTERY	SUPPORT BATTERIE	HALTER, BATTERIE	(B&S - TECUMSEH CENTURA)
-	22785122/0	1	SUPPORTO BATTERIA	SUPPORT, BATTERY	SUPPORT BATTERIE	HALTER, BATTERIE	(TECUMSEH PRISMA)
102	22109530/0	1	COPERCHIO	COVER	COUVERCLE	DECKEL	
103	12521310/0	2	ROSETTA	WASHER	RONDELLE	SCHEIBE	(B&S - TECUMSEH CENTURA)
104	12731590/0	2	VITE	SCREW	VIS	SCHRAUBE	(B&S - TECUMSEH CENTURA)
-	12728520/0	2	VITE	SCREW	VIS	SCHRAUBE	(TECUMSEH PRISMA)
105	18120052/0	1	BATTERIA	BATTERY	BATTERIE	BATTERIE	
106	18204120/0	1	CARICA BATTERIA	BATTERY CHARGER	CHARGEUR DE BATTERIE	LADGERÄT	
-	18204121/0	1	CARICA BATTERIA	BATTERY CHARGER	CHARGEUR DE BATTERIE	LADGERÄT	(UK)



GLOBAL GARDEN PRODUCTS

Pos.	Code	Q.ty	Descrizione	Description	Description	Beshreibung	Remarks
107	18450050/0	1	INTERRUTTORE	SWITCH	INTERRUPTEUR	SCHALTER	
108	18204192/2	1	CAVO AVVIAMENTO	CABLE, START	CABLE DÉMARRAGE	KABEL, START	(B&S)
-	18204190/3	1	CAVO AVVIAMENTO	CABLE, START	CABLE DÉMARRAGE	KABEL, START	(TECUMSEH)

VARIANTE ACCELERATORE - THROTTLE MODIFICATION - MODIFICATION COMMANDE D'ACCELERATION - ÄNDERUNGEN AUF GASHEBEL

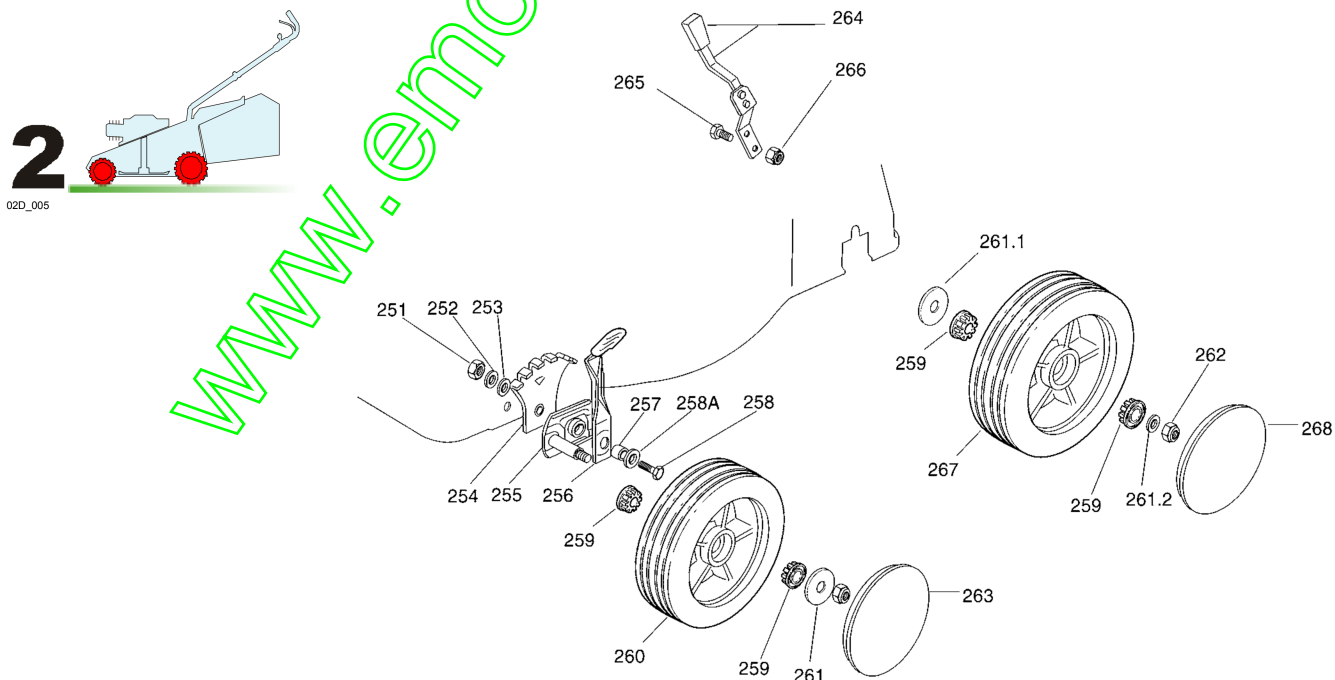
Pos.	Code	Q.ty	Descrizione	Description	Description	Beshreibung	Remarks
151	12291000/0	1	DADO	NUT	ECROU	MUTTER	
152	12581500/0	1	GROWER	GROWER	GROWER	FEDERRING	
153	22171005/0	1	DISTANZIALE	SPACER	ENTRETOISE	DISTANZRING	
154	12521360/0	1	ROSETTA	WASHER	RONDELLE	SCHEIBE	
155	12508100/0	1	ROSETTA ELASTICA	SPRING WASHER	RONDELLE ELASTIQUE	ELASTISCHE SCHEIBE	
156	81007279/1	1	LEVA, ACCELERATORE	LEVER, THROTTLE	LEVIER, ACCELERATEUR	HEBEL, BESCHLEUNIGER	
157	81007080/0	1	CAVO ACCELERATORE	CABLE, TROTTLE	CABLE, ACCELERATEUR	KABEL, BESCHLEUNIGER	
158	12815000/0	1	VITE	SCREW	VIS	SCHRAUBE	
159	14356703/0	1	ETICHETTA	LABEL	ETIQUETTE	ETIKETTE	(B&S)
-	14356702/0	1	ETICHETTA	LABEL	ETIQUETTE	ETIKETTE	(HONDA)
-	14360197/0	1	ETICHETTA	LABEL	ETIQUETTE	ETIKETTE	(SUMEC)
-	14356905/0	1	ETICHETTA	LABEL	ETIQUETTE	ETIKETTE	(TECUMSEH)

VARIANTE REGIME FISSO - FIXED SPEED MODIFICATION - MODIFICATION POUR MODÈLE A REGIME FIXE - ÄNDERUNGEN FÜR MODELLE MIT FESTEN DREHZAHL

Pos.	Code	Q.ty	Descrizione	Description	Description	Beshreibung	Remarks
201	22601000/0	1	PROTEZIONE	PROTECTION	PROTECTION	SCHUTZ	

VARIANTE MULCHING - MULCHING MODIFICATION - MODIFICATION MULCHING - ÄNDERUNGEN MULCHING

Pos.	Code	Q.ty	Descrizione	Description	Description	Beshreibung	Remarks
231	22140223/0	1	DEFLETTORE	DEFLECTOR	DEFLECTEUR	DEFLEKTOR	(R 484 TR/R 484 TR-E)
-	22140222/0	1	DEFLETTORE	DEFLECTOR	DEFLECTEUR	DEFLEKTOR	(R 534 TR/R 534 TR-E)
232	22060199/0	1	CARTER	PROTECTION	PROTECTION	SCHUTZ	(R 484 TR/R 484 TR-E)
-	22060197/1	1	CARTER	PROTECTION	PROTECTION	SCHUTZ	(R 534 TR/R 534 TR-E)
233	12728530/0	2	VITE	SCREW	VIS	SCHRAUBE	



Pos.	Code	Q.ty	Descrizione	Description	Description	Beshreibung	Remarks
251	12293200/0	2	DADO	NUT	ECROU	MUTTER	

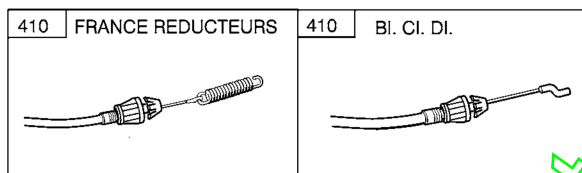
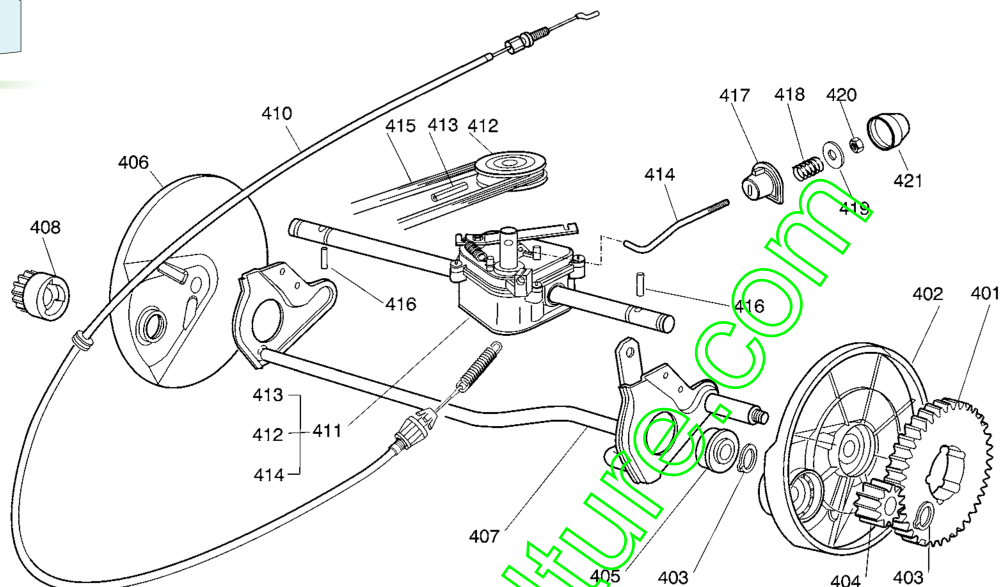
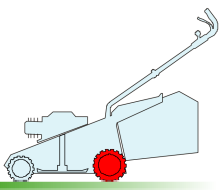


GLOBAL GARDEN PRODUCTS

Pos.	Code	Q.ty	Descrizione	Description	Description	Beshreibung	Remarks
252	12583500/0	2	GROWER	GROWER	GROWER	FEDERRING	
253	12523070/0	2	ROSETTA	WASHER	RONDELLE	SCHEIBE	
254	22735547/0	2	SETTORE REGOLAZIONE ALTEZZA	SECTOR, HEIGHT ADJUSTMENT	SECTEUR REGLAGE HAUTEUR	SEKTOR, HÖHEVERSTELLUNG	
255	81005082/0	2	SUPPORTO RUOTA	SUPPORT, WHEEL	SUPPORT ROUE	HALTER, RAD	
256	81003285/1	2	LEVA REGOLAZIONE ALTEZZA	LEVER, HEIGHT ADJUSTMENT	LEVIER REGLAGE HAUTEUR	HEBEL, HÖNEVERSTELLUNG	
257	22171001/0	2	DISTANZIALE	SPACER	ENTRETOISE	DISTANZRING	
258	12793701/0	2	VITE	SCREW	VIS	SCHRAUBE	
258A	12521350/0	2	ROSETTA	WASHER	RONDELLE	SCHEIBE	
259	22034508/0	8	BUSSOLA	BUSH	DOUILLE	BUCHSE	
260	81007326/0	4	RUOTA Ø 170	WHEEL Ø 170	ROUE Ø 170	RAD. Ø 170	
261	12523060/0	2	ROSETTA	WASHER	RONDELLE	SCHEIBE	
261.1	21660100/0	2	RALLA	WASHER	RONDELLE	SCHEIBE	
261.2	25670011/0	2	ROSETTA	WASHER	RONDELLE	SCHEIBE	
262	12155000/0	4	DADO	NUT	ECROU	MUTTER	
263	22110262/0	2	COPRIMOZZO BIANCO	HUB CAP WHITE	COUVRE-MOYEU BLANC	RADKAPPE WEIßE	
-	22110263/0	2	COPRIMOZZO GIALLO	HUB CAP YELLOW	COUVRE-MOYEU JAUNE	RADKAPPE GELBE	
-	22110264/0	2	COPRIMOZZO ROSSO	HUB CAP RED	COUVRE-MOYEU ROUGE	RADKAPPE ROTE	
264	81003279/2	1	LEVA REGOLAZIONE ALTEZZA	LEVER, HEIGHT ADJUSTMENT	LEVIER REGLAGE HAUTEUR	HEBEL, HÖNEVERSTELLUNG	
265	12789000/0	2	VITE	SCREW	VIS	SCHRAUBE	
266	12154330/0	2	DADO	NUT	ECROU	MUTTER	
267	81007328/0	2	RUOTA Ø 210	WHEEL Ø 210	ROUE Ø 210	RAD. Ø 210	
268	22110265/0	2	COPRIMOZZO BIANCO	HUB CAP WHITE	COUVRE-MOYEU BLANC	RADKAPPE WEIßE	
-	22110266/0	2	COPRIMOZZO GIALLO	HUB CAP YELLOW	COUVRE-MOYEU JAUNE	RADKAPPE GELBE	
-	22110267/0	2	COPRIMOZZO ROSSO	HUB CAP RED	COUVRE-MOYEU ROUGE	RADKAPPE ROTE	

3

03D_001

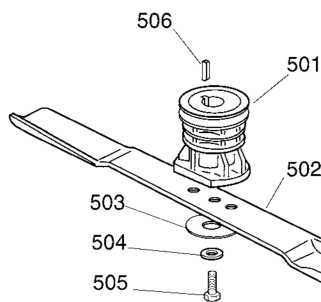
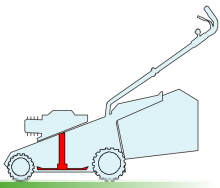


Pos.	Code	Q.ty	Descrizione	Description	Description	Beshreibung	Remarks
401	22120105/1	2	CORONA	RING GEAR	COURONNE	KRANZ	
402	22600093/0	2	PROT. RUOTE SX	PROTECTION L WHEEL	PROTECTION ROUE G	SCHÜTZ, LINKES RÄDER	
403	12608600/0	4	SEEGER	SEEGER	SEEGER	SEEGER	
404	22570120/1	1	PIGNONE SX	PINION L	PIGNON G	RITZEL LINKES	
405	19216035/0	2	CUSCINETTO	BEARING	COUSSINET	LAGER	
406	22600092/0	2	PROT. RUOTE DX	PROTECTION, R WHEEL	PROTECTION ROUE D	SCHÜTZ, RECHTES RÄDER	
407	81000147/0	1	ASSE RUOTE POSTERIORE	AXLE, REAR WHEELS	AXE ROUES ARRIERE	ACHSE, HINTERRAD	
408	22570110/1	1	PIGNONE DX	PINION R	PIGNON D	RITZEL RECHTES	
410	81000672/0	1	CAVO COMANDO TRAZIONE	CABLE, REAR DRIVE	CÂBLE, COMMANDE TRACTION	KABEL, ANTRIEB	(BI. CI. DI.)
-	81000668/0	1	CAVO COMANDO TRAZIONE	CABLE, REAR DRIVE	CÂBLE, COMMANDE TRACTION	KABEL, ANTRIEB	(FRANCE REDUCTEURS)
411	81003076/0	1	GRUPPO TRAZIONE	GEAR BOX	GROUPE TRACTION	ANTRIEB	
-	81003081/1	1	GRUPPO TRAZIONE (GRIGIO)	GEAR BOX (GREY)	GROUPE TRACTION (GRIS)	ANTRIEB (GRAU)	(BI.CI.DI.)
412	22601904/0	1	PULEGGIA	PULLEY	POULIE	RIEMENSCHIEBE	
413	12645705/0	1	SPINA	PIN	GOUILLE	STIFT	
414	22033280/0	1	ASTA REGOLAZIONE	ADJUSTMENT ROD	TIGE REGLAGE	VERSTELLUNGSTANGE	(BI. CI. DI.)
-	22033283/0	1	ASTA REGOLAZIONE	ADJUSTMENT ROD	TIGE REGLAGE	VERSTELLUNGSTANGE	(FRANCE REDUCTEURS)
415	35063710/0	1	CINGHIA Z 25	BELT Z 25	COURROIE Z 25	RIEMEN Z 25	(R 434 TR)
-	35063800/0	1	CINGHIA Z 27	BELT Z 27	COURROIE Z 27	RIEMEN Z 27	(R 484 TR / R 484 TR-E)
-	35063902/0	1	CINGHIA Z 29.5	BELT Z 29.5	COURROIE Z 29.5	RIEMEN Z 29.5	(R 534 TR / R 534 TR-E)
416	22753000/0	2	SPINA	PIN	GOUILLE	STIFT	
417	22041957/1	1	BUSSOLA	BUSH	DOUILLE	BUCHSE	
418	22450063/0	1	MOLLA	SPRING	RESSORT	FEDER	
419	22680009/0	1	ROSETTA	WASHER	RONDELLE	SCHEIBE	
420	12154510/0	1	DADO	NUT	ECROU	MUTTER	
421	22110230/0	1	TAPPO	CAP	BOUCHON	GUMMISTOPFEN	



5

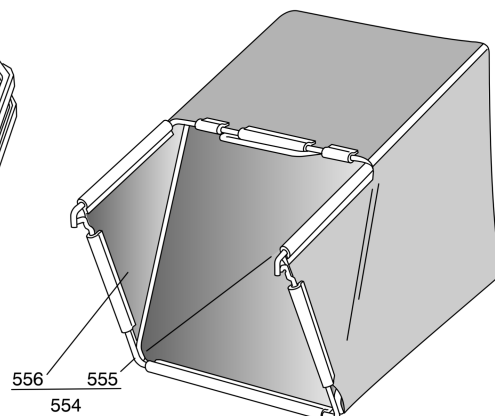
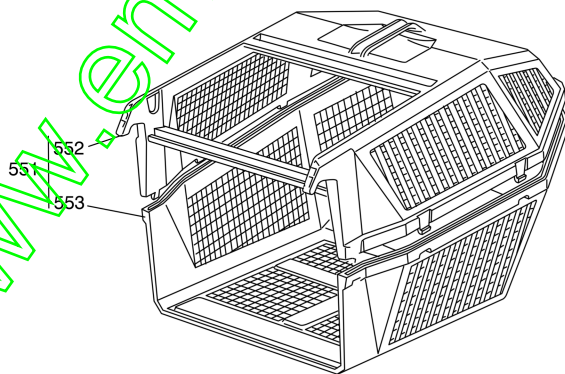
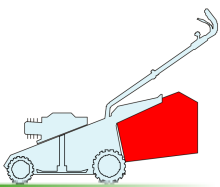
05D_003



Pos.	Code	Q.ty	Descrizione	Description	Description	Beshreibung	Remarks
501	22465607/0	1	MOZZO CON PULEGGIA	HUB WITH PULLEY	MOYEU AVEC POULIE	NABE MIT SCHEIBE	
502	81004396/0	1	COLTELLO ALETTATO	BLADE WINGED	LAME AILETTÉE	MESSER FLÜGEL	(41 cm)
-	81004341/3	1	COLTELLO STANDARD	BLADE STANDARD	LAME STANDARD	MESSER STANDARD	(41 cm)
-	81004397/0	1	COLTELLO ALETTATO	BLADE WINGED	LAME AILETTÉE	MESSER FLÜGEL	(46 cm)
-	81004346/3	1	COLTELLO STANDARD	BLADE STANDARD	LAME STANDARD	MESSER STANDARD	(46 cm)
-	81004398/0	1	COLTELLO ALETTATO	BLADE WINGED	LAME AILETTÉE	MESSER FLÜGEL	(51 cm)
-	81004381/1	1	COLTELLO STANDARD	BLADE STANDARD	LAME STANDARD	MESSER STANDARD	(51 cm)
503	22160400/0	1	DISCO ELASTICO	ELASTIC WASHER	DISQUE ELASTIQUE	FEDERSCHEIBE	
504	12523080/0	1	ROSETTA	WASHER	RONDELLE	SCHEIBE	
505	12735698/0	1	VITE	SCREW	VIS	SCHRAUBE	
506	12139100/0	1	LINGUETTA	FEATHER	CLAVETTE	KEIL	

6

06D_001



Pos.	Code	Q.ty	Descrizione	Description	Description	Beshreibung	Remarks
551	98005000/1	1	SACCO, COMPLETO	GRASSCATCHER, COMPLETE	SAC, COMPLETE	SACK, KOMPLETTE	
552	22486076/0	1	SACCO, PARTE SUP	GRASS-BOX, UPPER PART	SAC, PARTIE SUPERIEURE	KORB, OBERTEIL	
553	22486077/0	1	SACCO PARTE INF	GRASS-BOX, LOWER PART	SAC, PARTIE INFERIEURE	KORB, UNTERTEIL	
554	98004000/0	1	SACCO IN TELA, COMPLETO	GRASSCATCHER, CANVASS COMPLETE	SAC EN TOILE, COMPLETE	SACK, KOMPLETTE	



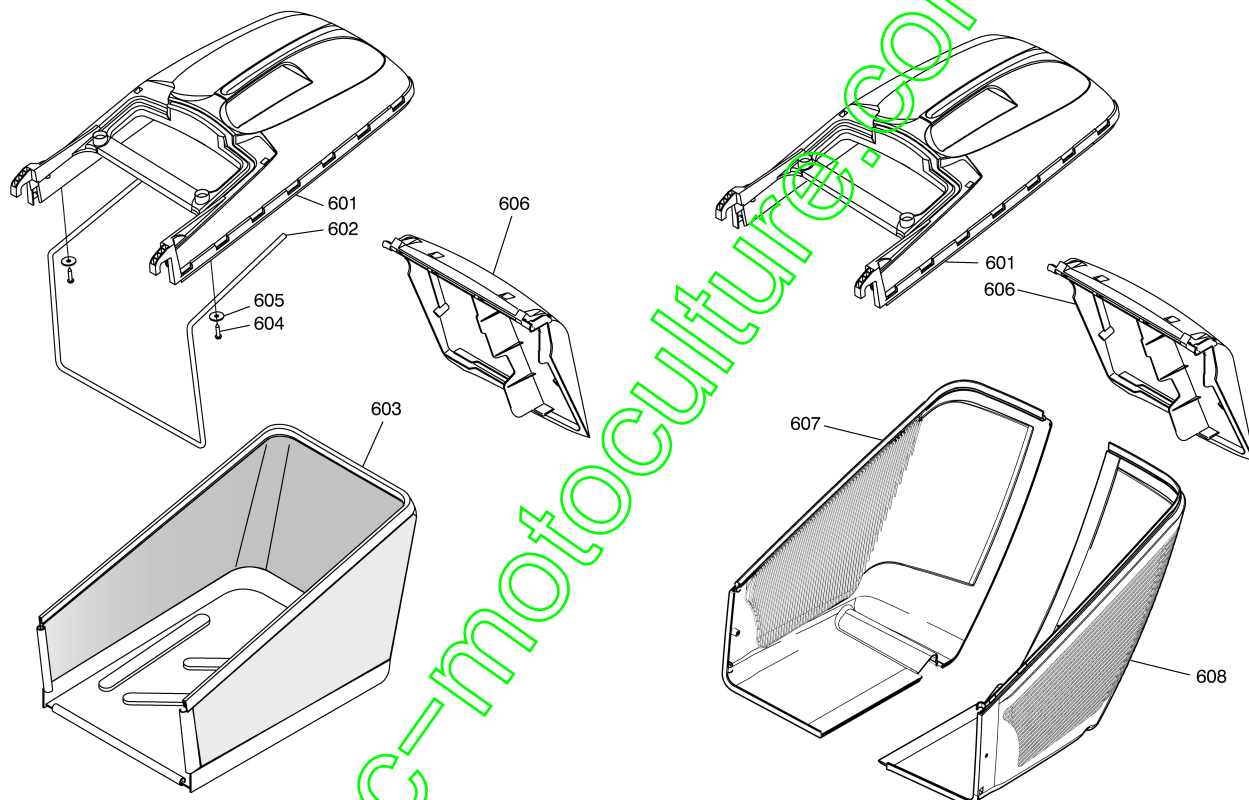
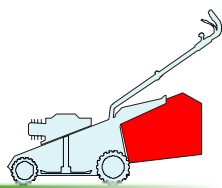
R 434 TR - R 484 TR/TR-E - R 534 TR/TR-E

GLOBAL GARDEN PRODUCTS

Pos.	Code	Q.ty	Descrizione	Description	Description	Beshreibung	Remarks
555	81006408/0	1	TELAIO SACCO	CHASSIS BOX	CHÂSSIS BAC	RAHMEN SACK	
556	81002105/2	1	SACCO, TELA	BOX, FABRIC	SAC, TOILE	SACK, TUCK	

6

06D_008



Pos.	Code	Q.ty	Descrizione	Description	Description	Beshreibung	Remarks
601	22486101/0	1	SACCO, PARTE SUP	GRASS-BOX, UPPER PART	SAC, PARTIE SUPERIEURE	KORB, OBERTEIL	
602	22608525/0	1	RINFORZO INF	STIFFENING LOWER	RÉNFORCEMENT INF	VERSTÄRKUNG UNTERE	
603	81002211/0	1	SACCO, TELA	BOX, FABRIC	SAC, TOILE	SACK, TUCK	
604	12728680/0	2	VITE	SCREW	VIS	SCHRAUBE	
605	12523050/0	2	ROSETTA	WASHER	RONDELLE	SCHEIBE	
606	22600063/1	1	PARASASSI	STONE-GUARD	PARE-PIERRES	PRALLBLECH	
607	22486150/0	1	SACCO PARTE INF	GRASS-BOX, LOWER PART	SAC, PARTIE INFÉRIEURE	KORB, UNTERTEIL	(DX)
608	22486151/0	1	SACCO PARTE INF	GRASS-BOX, LOWER PART	SAC, PARTIE INFÉRIEURE	KORB, UNTERTEIL	(SX)