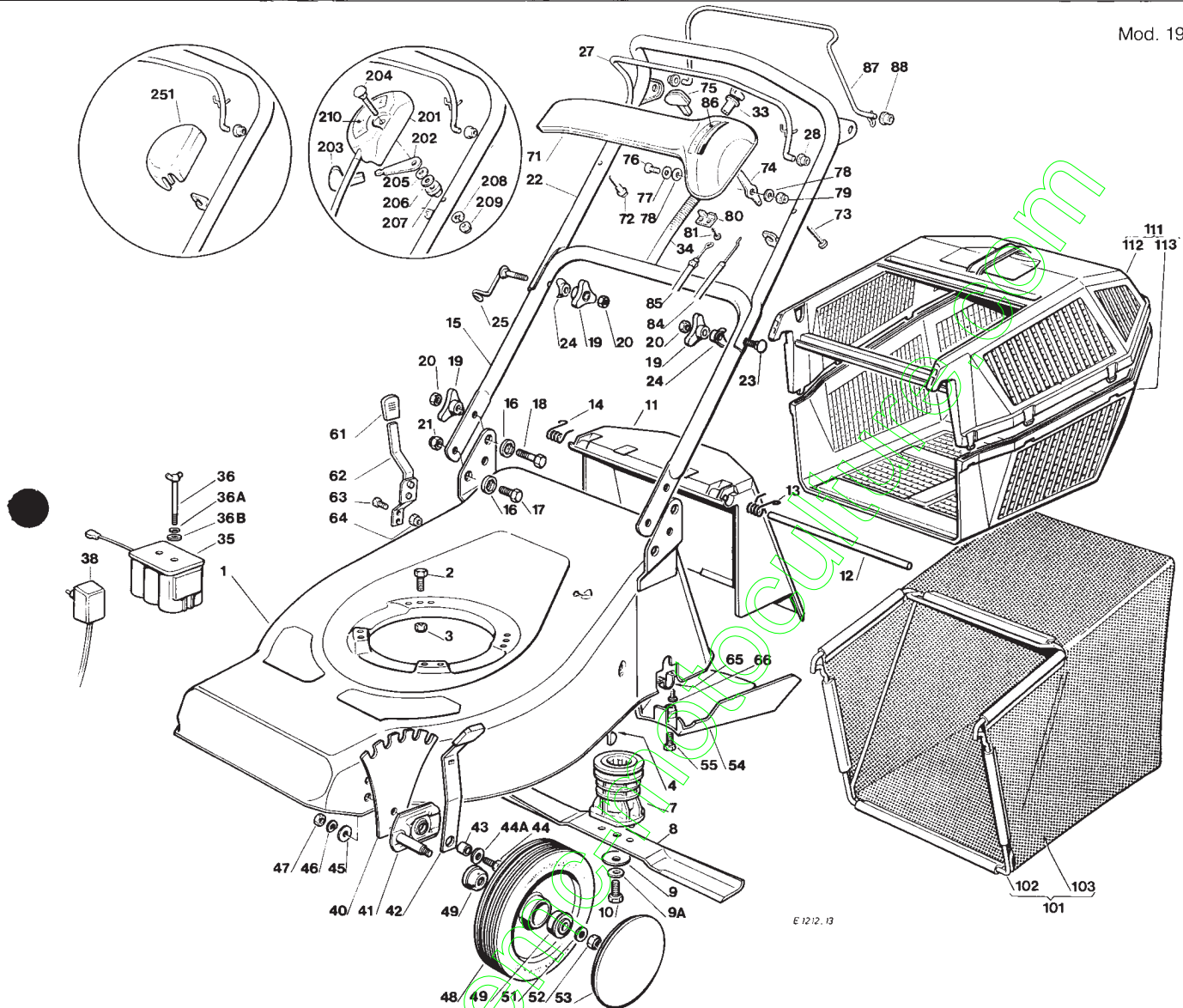


VISTE ESPLOSE
EXPLODED VIEWS

VUES ECLATEES
SPRENGZEICHNUNGEN

R 484 TR
R 484 TR-E 001

Mod. 1996

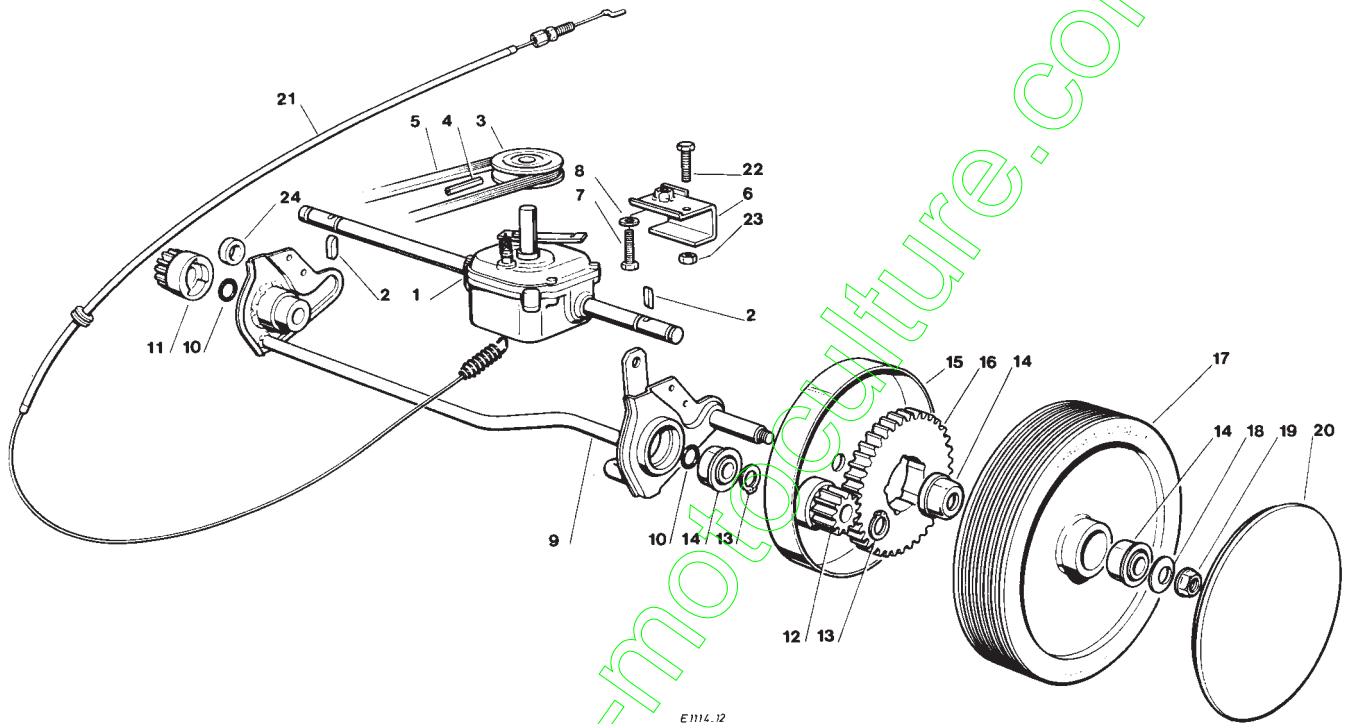


E 12/12, 13

Pos. Nr.	Codice Kodex Code	Descrizione	Description	Description	Beschreibung	Q.tà Q.ty Q.tè Menge
1	81001314/0	CHASSIS ROSSO R 484 TR	RED DECK R 484 TR	CHASSIS ROUGE R 484 TR	ROTES GEHÄUSE R 484 TR	1
—	81001316/0	CHASSIS GIALLO R 484 TR	YELLOW DECK R 484 TR	CHASSIS JAUNE R 484 TR	GELBES GEHÄUSE R 484 TR	1
—	81001544/0	CHASSIS VERDE R 484 TR	GREEN DECK R 484 TR	CHASSIS VERT R 484 TR	GRÜNES GEHÄUSE R 484 TR	1
—	81001315/0	CHASSIS ROSSO R 484 TR-E	RED DECK R 484 TR-E	CHASSIS ROUGE R 484 TR-E	ROTES GEHÄUSE R 484 TR-E	1
—	81001317/0	CHASSIS GIALLO R 484 TR-E	YELLOW DECK R 484 TR-E	CHASSIS JAUNE R 484 TR-E	GELBES GEHÄUSE R 484 TR-E	1
—	81001545/0	CHASSIS VERDE R 484 TR-E	GREEN DECK R 484 TR-E	CHASSIS VERT R 484 TR-E	GRÜNES GEHÄUSE R 484 TR-E	1
2	12793700/0	VITE (M8x30)	SCREW (M8x30)	VIS (M8x30)	SCHRAUBE (M8x30)	3/2
—	12691800/0	VITE (M8x60)	SCREW (M8x60)	VIS (M8x60)	SCHRAUBE (M8x60)	0/1
3	12293201/0	DADO	NUT	ECROU	MUTTER	3/2
—	12155000/0	DADO	NUT	ECROU	MUTTER	0/1
4	12139100/0	LINGUETTA	FEATHER	CLAVETTE	KEIL	1
7	22465607/0	MOZZO CON PULEGGIA	HUB WITH PULLEY	MOYEU AVEC POULIE	NABE MIT SCHEIBE	1
8	81004346/2	COLTELLO STANDARD	STANDARD BLADE	LAME STANDARD	STANDARD MESSER	1
—	81004397/0	COLTELLO ALETTATO	WINGS BLADE	LAME A AILETTES	FLUEGEL MESSER	1
9	22160400/0	RONDELLA ELASTICA	SPRING WASHER	RONDELLE ELASTIQUE	ELASTISCHE SCHEIBE	1
9A	12523080/0	RONDELLA	WASHER	RONDELLE	SCHEIBE	1
10	12735698/0	VITE	SCREW	VIS	SCHRAUBE	1
11	22600028/4	PARASASSI	STONE-GUARD	PARE-PIERRES	PRALLBLECH	1
12	22517906/0	PERNO FULCRO	PIN	PIVOT	BOLZEN	1
13	22450420/1	MOLLA SX	L. SPRING	RESSORT G.	L.FEDER	1
14	22450410/1	MOLLA DX	W. SPRING	RESSORT D.	R.FEDER	1
15	81006512/0	PARTE INFERIORE MANICO	LOWER HANDLE	PARTIE INF. MANCHERON	UNTERHOLM	1
16	22041955/0	BUSSOLA	BUSH	DOUILLE	BUCHSE	4
17	12792610/0	VITE	SCREW	VIS	SCHRAUBE	2
18	12793700/0	VITE	SCREW	VIS	SCHRAUBE	2
19	22399900/0	MANOPOLINA	KNOB	POIGNÉE	GRIFF	4
20	12293200/0	DADO	NUT	ECROU	MUTTER	4
21	12155000/0	DADO	NUT	ECROU	MUTTER	2
22	81007006/1	PARTE SUPERIORE MANICO	UPPER HANDLE	PARTIE SUP. MANCHERON	HOLMOBERTEIL	1
23	12819201/0	VITE	SCREW	VIS	SCHRAUBE	1
24	22680006/1	RONDELLA	WASHER	RONDELLE	SCHEIBE	2

Pos. Nr.	Codice Kodex Code	Descrizione	Description	Description	Beschreibung	Q.tà Q.ty Q.tè
25	81003801/0	MOLLA GUIDA	SPRING	RESSORT	FEDER	1
27	81003291/1	LEVA FRENO MOTORE	BRAKE LEVER	LEVIER FREIN MOTEUR	MOTORBREMSEHEBEL	1
28	22041966/0	BOCCOLA	BUSH	DOUILLE	BUCHSE	2
		VARIANTI PER AVVIAMENTO ELETTRICO	PARTS FOR ELECTRIC START	COMPOSANTS POUR DÉMARRAGE ÉLECTRIQUE	ELEKTROSTART BESTANDTEILE	
33	18450050/0	INTERRUTTORE	SWITCH	INTERRUPTEUR	SCHALTER	1
34	18204190/2	ASS. CABLAGGIO	CABLES UNIT	ENS. CABLAGE	KABEL	1
35*	18120050/0	BATTERIA 12V - 2,5 AH	BATTERY 12V - 2,5 AH	BATTERIE 12V - 2,5 AH	BATTERIE 12V - 2,5 AH	1
36	22517855/0	PERNO	PIN	PIVOT	BOLZEN	2
36A	12523000/0	RONDELLA	WASHER	RONDELLE	SCHEIBE	2
36B	12540020/0	RONDELLA	WASHER	RONDELLE	SCHEIBE	2
38*	18204110/0	CARICA BATTERIA	BATTERY CHARGER	CHARGEUR DE BATTERIE	LADGERÄT	1
40	22735537/0	SETTORE	SECTOR	SECTEUR	SECTOR	2
41	81005082/0	SUPPORTO RUOTA	WHEEL SUPPORT	SUPPORT ROUE	RADHALTER	2
42	81003273/0	ASS. LEVA	LEVER UNIT	ENS. LEVIER	KOMPLETTE HEBEL	2
43	22171001/0	DISTANZIALE	SPACER	ENTRETOISE	DISTANZRING	2
44	12793701/0	VITE	SCREW	VIS	SCHRAUBE	2
44A	12521350/0	RONDELLA	WASHER	RONDELLE	SCHEIBE	2
45	12523070/0	RONDELLA	WASHER	RONDELLE	SCHEIBE	2
46	12583500/0	GROWER	GROWER	GROWER	FEDERRING	2
47	12293200/0	DADO	NUT	ECROU	MUTTER	2
48	81007311/0	RUOTA NERA	BLACK WHEEL	ROUE NOIRE	SCHWARZES RAD	2
49	22034508/0	BOCCOLA	BUSH	DOUILLE	BUCHSE	4
51	12521350/0	RONDELLA	WASHER	RONDELLE	SCHEIBE	2
52	12155000/0	DADO	NUT	ECROU	MUTTER	2
53	22110262/0	COPRIMOZZO BIANCO	WHITE HUB CAP	COUVRE-MOYEU BLANC	WEISSE RADKAPPE	2
—	22110263/0	COPRIMOZZO GIALLO	YELLOW HUB CAP	COUVRE-MOYEU JAUNE	GELBE RADKAPPE	2
54	22060180/0	CARTER	DECK	CHASSIS	CHASSIS	1
55	12727791/0	VITE	SCREW	VIS	SCHRAUBE	1
61	22397000/0	MANOPOLA	KNOB	POIGNÉE	GRIF	1
62	81003279/1	LEVA	LEVER	LEVIER	HEBEL	1
63	12789000/0	VITE	SCREW	VIS	SCHRAUBE	2
64	12154330/0	DADO	NUT	ECROU	MUTTER	2
65	22545152/0	PIASTRINA	PLAQUE	PLAQUETTE	PLATTE	2
66	12731350/0	VITE	SCREW	VIS	SCHRAUBE	4
71	22120154/0	CRUSCOTTO ROSSO	RED DASH BOARD	CONSOLE ROUGE	ROTE KONSOLE	1
—	22120152/0	CRUSCOTTO GIALLO	YELLOW DASH BOARD	CONSOLE JAUNE	GELBE KONSOLE	1
—	22120158/0	CRUSCOTTO NERO	BLACK DASH BOARD	CONSOLE NOIRE	SCHWARZE KONSOLE	1
72	22943006/0	VITE	SCREW	VIS	SCHRAUBE	1
73	12728460/0	VITE	SCREW	VIS	SCHRAUBE	1
74	22319304/1	LEVA	LEVER	LEVIER	HEBEL	1
75	22394641/0	MANOPOLA	KNOB	POIGNÉE	GRIF	1
76	12791500/0	VITE	SCREW	VIS	SCHRAUBE	1
77	12530060/0	RONDELLA ELASTICA	SPRING WASHER	RONDELLE ELASTIQUE	ELASTISCHE SCHEIBE	1
78	12523040/0	RONDELLA	WASHER	RONDELLE	SCHEIBE	2
79	12154510/0	DADO	NUT	ECROU	MUTTER	1
80	22981467/0	PIASTRINA	PLAQUE	PLAQUETTE	PLATTE	1
81	12735105/0	VITE	SCREW	VIS	SCHRAUBE	2
84	81007160/0	CAVO ACCELERATORE	THROTTLE CABLE	CABLE ACCELERATEUR	BESCHLEUNIGER KABEL	1
85	81000623/1	CAVO FRENO MOTORE (TECUMSEH)	THREAD MOTOR BRAKE (TECUMSEH)	CABLE FREIN MOTEUR (TECUMSEH)	MOTORBREMSEKABEL (TECUMSEH)	1
—	81000631/0	CAVO FRENO MOTORE (QUANTUM XM)	THREAD MOTOR BRAKE (QUANTUM XM)	CABLE FREIN MOTEUR (QUANTUM XM)	MOTORBREMSEKABEL (QUANTUM XM)	1
—	81000625/0	CAVO FRENO MOTORE (SPRINT 375/QUATTRO)	THREAD MOTOR BRAKE (SPRINT 375/QUATTRO)	CABLE FREIN MOTEUR (SPRINT 375/QUATTRO)	MOTORBREMSEKABEL (SPRINT 375/QUATTRO)	1
—	81000624/0	CAVO FRENO MOTORE (HONDA GXV 140)	THREAD MOTOR BRAKE (HONDA GXV 140)	CABLE FREIN MOTEUR (HONDA GXV 140)	MOTORBREMSEKABEL (HONDA GXV 140)	1
86	14356743/0	ETICHETTA (TECUMSEH-HONDA)	LABEL (TECUMSEH-HONDA)	ETIQUETTE (TECUMSEH-HONDA)	ETIKETTE (TECUMSEH-HONDA)	1
—	14356744/0	ETICHETTA (B&S)	LABEL (B&S)	ETIQUETTE (B&S)	ETIKETTE (B&S)	1
87	81003288/0	LEVA TRAZIONE	DRIVING LEVER	LEVIER TRACTION	ANTRIEBHEBEL	1
88	22041965/0	BOCCOLA	BUSH	DOUILLE	BUCHSE	2
101	98004000/0	ASS. SACCO IN TELA	CANVASS GRASSCATCHER ASS.Y	ENSEMBLE SAC EN TOILE	KOMPLETTER SACK	1
102	81006408/0	TELAIO	CHASSIS	CHASSIS	RAHMEN	1
103	81002105/1	TELA SACCO	FABRIC BOX	TOILE POUR SAC	TUCK FÜR SACK	1
111	98005000/1	SACCO COMPLETO	COMPLETE GRASS-BOX	SAC COMPLET	KOMPLETTER KORB	1
112	22486076/0	PORTE SUP. SACCO	UPPER GRASS-BOX	PARTIE SUP. SAC	OBERTEILER KORB	1
113	22486077/0	PORTE INF. SACCO	LOWER GRASS-BOX	PARTIE INF. SAC	UNTERTEILER KORB	1
		VARIANTE ACCELERATORE	THROTTLE VARIANTS	VARIANTES DE COMANDE D'ACCELERATION	ÄNDERUNGEN AUF GASHEBEL	
201	81007080/0	ASSIEME ACCELERATORE	TROTTLER UNIT ASS.Y	ENS. ACCELERATEUR	BESCHLEUNIGER	1
202	22319302/0	LEVA	LEVER	LEVIER	HEBEL	1
203	22394641/0	MANOPOLA	KNOB	POIGNÉE	GRIF	1
204	12815000/0	VITE	SCREW	VIS	SCHRAUBE	1
205	12508100/0	RONDELLA ELASTICA	SPRING WASHER	RONDELLE ELASTIQUE	ELASTISCHE SCHEIBE	1
206	12521360/0	RONDELLA	WASHER	RONDELLE	SCHEIBE	2
207	22171005/0	DISTANZIALE	SPACER	ENTRETOISE	DISTANZRING	1
208	12581500/0	GROWER	GROWER	GROWER	FEDERRING	1
209	12291000/0	DADO	NUT	ECROU	MUTTER	1
210	14356702/0	ETICHETTA (TECUMSEH-HONDA)	LABEL (TECUMSEH-HONDA)	ETIQUETTE (TECUMSEH-HONDA)	ETIKETTE (TECUMSEH-HONDA)	1
—	14356703/0	ETICHETTA (B&S)	LABEL (B&S)	ETIQUETTE (B&S)	ETIKETTE (B&S)	1
		VARIANTE REGIME FISSO	R.P.M. VARIANTS	VARIANTES POUR MODÈLE A REGIME FIXE	ÄNDERUNGEN FÜR MODELLE MIT FIXIERTER DREHZAHL	
251	22601000/0	PROTEZIONE	PROTECTION	PROTECTION	SCHUTZ	1
—	81008614/0	DOTAZIONE VITERIA	SCREWS OUTFIT	DOTATION VISSERIE	SCHRAUBEN SATZ	1
—	81008609/0	DOTAZIONE CRUSCOTTO	DASH-BOARD OUTFIT	DOTATION CONSOLE	KONSOLE SATZ	1

DOVENDO SOSTITUIRE IN GARANZIA LE PARTI CONTRASSEGNALE CON *- RIVOLGERSI AL COSTRUTTORE DEL MOTORE.
IF YOU HAVE TO CHANGE THE PIECES INDICATED WITH *- ON WARRANTY YOU ADDRESS TO AFTER SALES SERVICE OF ENGINE MANUFACTURER.
SI VOUS DEVEZ SUBSTITUER LES PIÈCES INDICUÉES AVEC *- SOUS GARANTIE VOUS DEVEZ VOUS ADRESSER AU SERVICE APRÈS VENTES DE LA MAISON CONSTRUCTRICE DU MOTEUR.
BITTE WENDEN SIE SICH BEI GARANTIEREPARATUREN DER MIT *- GEKENNZEICHNETEN TEILE AN DIE KUNDENDIENSTSTELLE DES MOTORHERSTELLER.



Pos. Nr.	Codice Kodex Code	Descrizione	Description	Description	Beschreibung	Q.tà Q.ty Q.tè Menge
1	18652002/0	GRUPPO TRAZIONE (PLASTICA)	REAR DRIVE (PLASTIC)	GRUPE TRACTION (PLASTIQUE)	ANTRIEB (KUNSTSTOFF)	1
—	18652012/0	GRUPPO TRAZIONE (ALLUMINIO)	REAR DRIVE (ALUMINIUM)	GRUPE TRACTION (ALUMINIUM)	ANTRIEB (ALUMINIUM)	1
2	22328600/1	LINGUETTA TRASCINAMENTO	DRIVING KEY	CLAVETTE	MITNEHMERLAPPEN	2
3	22601904/0	PULEGGIA 4 KM/H	PULLEY 4 KM/H	POULIE 4 KM/H	RIEMENSCHLEIBE 4 KM/H	1
4	12645705/0	SPINA	PIN	GOUPILLE	STIFT	1
5	35063800/0	CINGHIA Z 27	BELT Z 27	COURROIE Z 27	RIEMEN Z 27	1
6	81005104/0	SUPPORTO TRAZIONE	SUPPORT	SUPPORT	ANTRIEBHALTER	1
7	12793600/0	VITE	SCREW	VIS	SCHRAUBE	1
8	12293200/0	DADO	NUT	ECROU	MUTTER	1
9	81001252/1	ASSE RUOTE POSTERIORE	REAR WHEELS AXLE	AXE ROUES ARRIERE	HINTERRADER ACHSE	1
10	12019900/0	ANELLO OR	OR RING	BAGUE OR	RING OR	2
11	22570110/0	PIGNONE DESTRO	RIGHT PINION	PIGNON DROITE	RECHTES RITZEL	1
12	22570120/0	PIGNONE SINISTRO	LEFT PINION	PIGNON GAUCHE	LINKES RITZEL	1
13	12608600/0	SEEGER	SEEGER	SEEGER	SEEGER	4
14	22034508/0	BOCCOLA	BUSCHING	DOUILLE	BUCHSE	6
15	81006846/0	PROTEZIONE RUOTE	WHEEL GUARD	PROTECTION ROUE	RAEDERSCHUTZ	2
16	22120105/1	CORONA	RING GEAR	COURONNE	KRANZ	2
17	81007313/0	RUOTA NERA Ø 210	BLACK WHEEL Ø 210	ROUE NOIRE Ø 210	SCHWARZES RAD Ø 210	2
18	12369500/0	RONDELLA	WASHER	RONDELLE	SCHLEIBE	2
19	12155000/0	DADO	NUT	ECROU	MUTTER	2
20	22110265/0	COPRIMOZZO BIANCO	WHITE HUB CAP	COUVRE-MOYEU BLANC	WEISSE RADKAPPE	2
—	22110266/0	COPRIMOZZO GIALLO	YELLOW HUB CAP	COUVRE-MOYEU JAUNE	GELBE RADKAPPE	2
21	81001143/0	ASS. COMANDO TRAZIONE	REAR DRIVE ASS.Y	ENS. COMANDE TRACTION	ANTRIEB	1
22	12689515/0	VITE	SCREW	VIS	SCHRAUBE	1
23	12154500/0	DADO	NUT	ECROU	MUTTER	1
24	22170800/0	DISTANZIALE	SPACER	ENTRETOISE	DISTANZRING	1

contact@enc-motoculture.com

