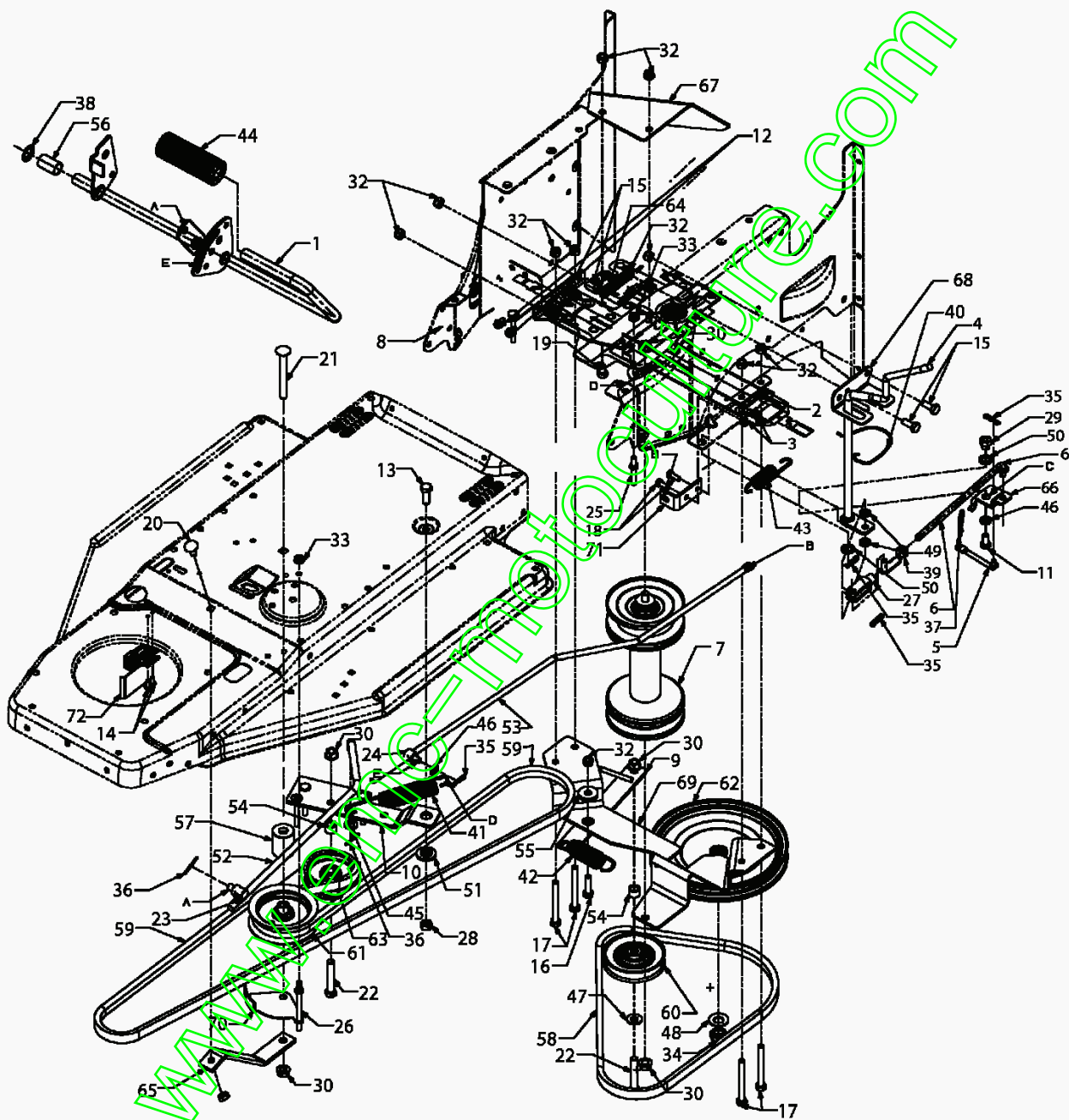


E3-02098A-01

Support de siège

Position	Partnumber	Quantity	Designation	Standard	Additional
1	17239C	1	KONTAKTHEBEL	FINISH:MTD STD 701-01002	
2	17703A	1	EQUERRE FIXATION GAUCHE	FINISH:LACKIERT	
3	17704	1	SUPPORT DE FIXATION DROIT	17704-0637	
4	710-0456	2	VIS	FINISH:701-01002	
5	710-0578	2	VIS	FINISH:701-01000	
6	710-0726	6	VIS 5/16-12:0.750:HXINDWS	FINISH:701-01002	
7	710-0817	2	VIS	FINISH:MTD SPEC-701-01002	
8	710-1017	3	VIS	FINISH:MTD SPEC-100016	
9	710-1687	4	VIS	FINISH:Zn5glcB 22.3419.12	
10	712-0324	2	ECROU:1/4-20:GR8:NYLON	FINISH:701-01000	
11	712-0429	2	ECROU:5/16-18:GR5:NYLON	FINISH:701-01000	
12	712-0713	4	ECROU	DIN 6926 MTD SPEC-100015	
13	722-0160	2	RONDELLE ELASTOMER	722-0160	
14	723-0444	1	SANGLE BATTERIE	FINISH:SCHWARZ	
15	725-0157	1	COLLIER CABLE 3/16X.05x7.4	PB-Nr. 5652 schwarz	
16	725-1303	1	EPINGLE	FÜR SI.-SCHALTER SITZ	
17	725-1439	1	SECURITE SIEGE	FÜR SI.-SCHALTER SITZ	
18	726-0278	1	PLAQUE / ISOLATION	FINISH:NATUR ODER SCHWARZ	
19	726-0279	2	PLAQUE D ISOLATION	FINISH:NATUR ODER SCHWARZ	
20	731-0511	2	PROTECTION ANGLES	FINISH:SCHWARZ, SIEHE ZG.	
21	732-0581B	1	RESSORT	732-0581B	
22	732-0588	2	RESSORT	732-0588	
23	736-0159	2	RONDELLE .349 X 88X.06"	FINISH:701-01000	
24	736-0607	1	RONDELLE	FINISH:MTD STD 701-01001	
25	738-0296	2	VIS	FINISH:701-01000	
26	750-1205	2	ENTRETOISE: .2756ID X .9539OD		
27	783-0584A	1	SITZWANNE:400 TRANSMATIC		
28	783-0884	1	BATTERIEDECKEL	92 CM- HYDRQ 400 - SCHWARZ-	
29	783-0872	1	PLAQUE HAUTEUR DE COUPE	7-FACH	

www.emc-motoculture.com



E3-02100A-01

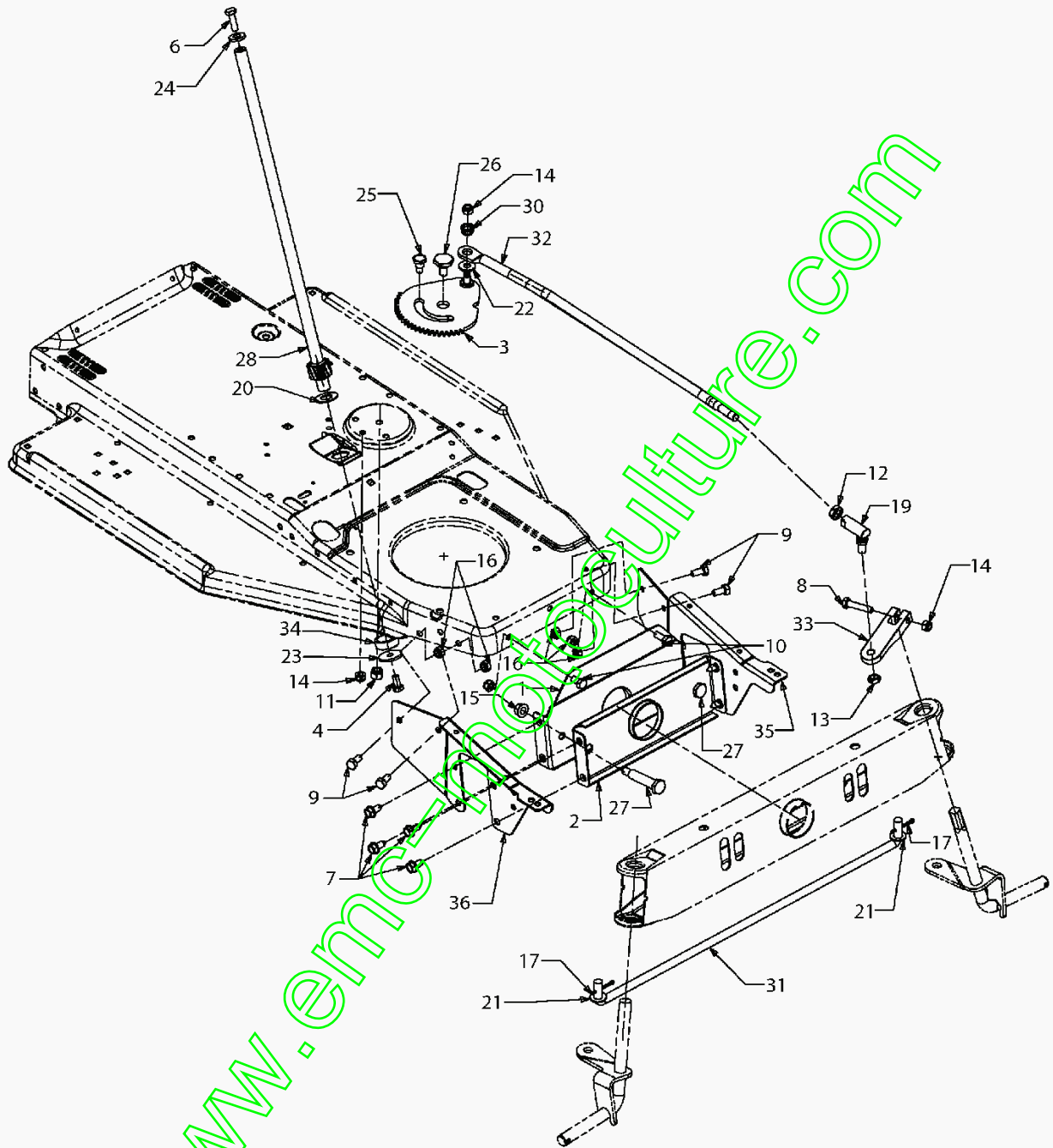
Traction

Position	Partnumber	Quantity	Designation	Standard	Additional
1	17644A	1	PEDALE D EMBRAYAGE ET FREINS	SCHWEIßTEIL: LACKIERT	
2	17840	1	SUPPORT	FINISH: 17840-0637	
3	618-0556A	1	BOITE DE VITESSE COMPLETE		
4	647-0075	1	SCHALTHEBEL GETRIEBE VOLLST.	VERZINKT	
5	647-0076	1	TRINGLE DE DIRECTION	SCHWEIßTEIL VERZINKT	
6	647-0077	1	TRINGLE	SCHWEIßTEIL VERZINKT	
7	656-0055A	1	POULIE VARIATEUR	VARIO-SPEED	
8	683-0335	1	CARTER	400er E-DECK TRANS/AUTO-DR.	
9	683-0336	1	CARTER	400er E-DECK TRANS/AUTO-DR.	
10	683-0429A	1	TENDEUR	AKTUELLE AUSFÜHRUNG	
11	710-0538	1	VIS	FINISH: 701-01000	
12	710-0599	2	VIS	FINISH: MTD SPEC-701-01002	
13	710-1039	1	VIS	FINISH: MTD STD 701-01000	
14	710-1388	2	VIS TIN BZ 4,8x13 DI 7981	MTD SPEC-100015 22.6417.44	
15	710-1681	4	VIS HEXAGONALE DIN 933	MTD SPEC-100015 21.1441.70	
16	710-1683	1	VIS	FINISH: MTD701-01001 21.1441.74	
17	710-1685	4	VIS	M8X75-8.8 ZN5GL CB 21.1443.83	
19	710-1690	2	VIS	MTD SPEC-100015 21.1441.46	
18	710-1714	2	VIS	MTD SPEC-100015 21.1441.67	
20	710-1746	1	VIS	M8x20 4.6 22.3417.26	
21	710-1813	1	VIS		
22	710-3011	2	VIS	FINISH: 701-01000	
23	711-0198	1	AXE	711-0198	
24	711-0677	1	EMBOUT- EX 711-0611	FINISH: VERZINKT SIEHE ZG	
25	711-0993	1	GUIDE COURROIE	FINISH: 701-01006 911-0993	
26	711-1000	1	GUIDANCE COURROIR 25 X 3.0	911-1000	
27	711-1407	1	TETE DE FOURCHE ZN5GL CB DIN71	Zn5glcB 9S20K 28.6218.17	
28	712-0214	1	ECROU POLY STOP 3/8-24" GR:B	FINISH: 701-01000	
29	712-0329	1	ECROU	712-0329/912-0329	
30	712-0431	1	ECROU STOP 3/8-16	FINISH: MTD SPEC-100015	
31	712-0691	2	ECROU	MTD SPEC-100015 24.1426.14	
32	712-0692	12	ECROU	FINISH: SPEC-100015 24.1426.18	
33	712-3027	2	ECROU	FINISH: 701-01000	
34	712-3035	1	ECROU	FINISH: 701-01000 912-3035	
35	714-0104	3	GOUPILLE	FINISH: PHOS AND OIL	
36	714-0111	2	EPINGLE	FINISH: GELBVERZINKT	
37	714-0149B	1	GOUPILLE FENDUE 1/2"	714-0149B	
38	726-04028	1	CLIPS		
39	726-0457	1	ES - ATTACHE DIN 71752	9S20K 25.9425.12	
40	732-0525	1	RESSORT	732-0525	
41	732-0971	1	RESSORT	FINISH: SIEHE ZG.	
42	732-1015A	1	RESSORT		
43	732-1029	1	RESSORT		
44	735-0239	1	CAOUTCHOUC/PEDALE 4,0 LG	FINISH: SCHWARZ	
45	736-0185	1	RONDELLE 3/8.738X.063	FINISH: 701-01000	
46	736-0264	2	RONDELLE 330 IDX.0630 X .06	FINISH: 701-01000 936-0264	
47	736-0300	1	RONDELLE .406X.875 X .059	FINISH: MTD SPEC-100015	
48	736-0427	1	RONDELLE	FINISH: 701-01001	
49	736-0700	2	RONDELLE	MTD SPEC-100015 24.6481.18	
50	736-3024	1	RONDELLE	FINISH: 701-01000	
51	738-0347	1	DOUILLE/ENTRETOISE / 625 X 1	FINISH:	
52	747-1232	1	TRINGLE	VERZINKT	
53	747-1289	1	TIGE DE FREIN	VERZINKT	
54	748-0270	2	DOUILLE		
55	748-0331	1	ENTRETOISE	748-0331	
56	750-0800	1	ENTRETOISE / DUILLE 640IDX.760	750-0800	
57	750-1130	1	ENTRETOISE		
58	754-0468	1	COURROIE VARIATEUR/BOITE	POLY 954-0468	
59	754-0492	1	COURROIE MOTEUR/VARIATEUR		
60	756-0399	1	POULIE	756-0399 / 956-0399	
61	756-0643A	1	POULIE TENDEUR PLATE PLASTIQUE		
62	756-0950	1	POULIE	8.0 x 5/8-36 FINISH: SIEHE ZG.	
63	756-0981B	1	POULIE TENDEUR	FINISH: SIEHE ZG.	
64	783-0823A	1	SUPPORT DROITE		
65	783-0988	1	LEVIER DIRECTION		
66	783-0990	1	CONSOLE LEVIER DIRECTION	VERZINKT	
67	783-0991	1	GRASABWEISBLECH	SCHWARZ GEPULVERT	
68	783-1016B	1	SUPPORT INVERSEUR	(VERZINKT AUS USA)	
69	783-1070A	1	SUPPORT VARIATEUR		
70	783-1087	1	GUIDE COURROIE	783-1087-0637	
71	783-1092	1	SUPPORT	783-1092-0637	
72	783-1113A	1	SUPPORT		

Essieu avant

Position	Partnumber	Quantity	Designation	Standard	Additional
1	683-0002B	1			
2	683-04140	1	ACHSSCHENKEL KPLT.RE. 15X6	400er PAINT: SCHWARZ	
3	683-04141	1	ACHSSCHENKEL KPLT.LI. 15X6	400er SHORT SCHWEIßTEIL	
4	714-0470	2	EPINGLE EX AF-43010	FINISH: PHOS & OIL 470 32 32	
5	726-0214	1	BOUCHON COUVERCLE 5/8"	FINISH: SCHWARZ	
6	731-04057A	2	PALIER DE GRAISSAGE	LT5: MATERIAL PP SCHWARZ	
7	736-0187	2	RONDELLE .64X1.24X.06	FINISH: 701-01001	
8	736-0531A	2	RONDELLE		
9	741-0487C	4	BAGUE	FINISH: BLACK	
10	750-0118	1	ENTRETOISE / DUILLE 632X.88X.9	750-0118	

www.emc-motoculture.com

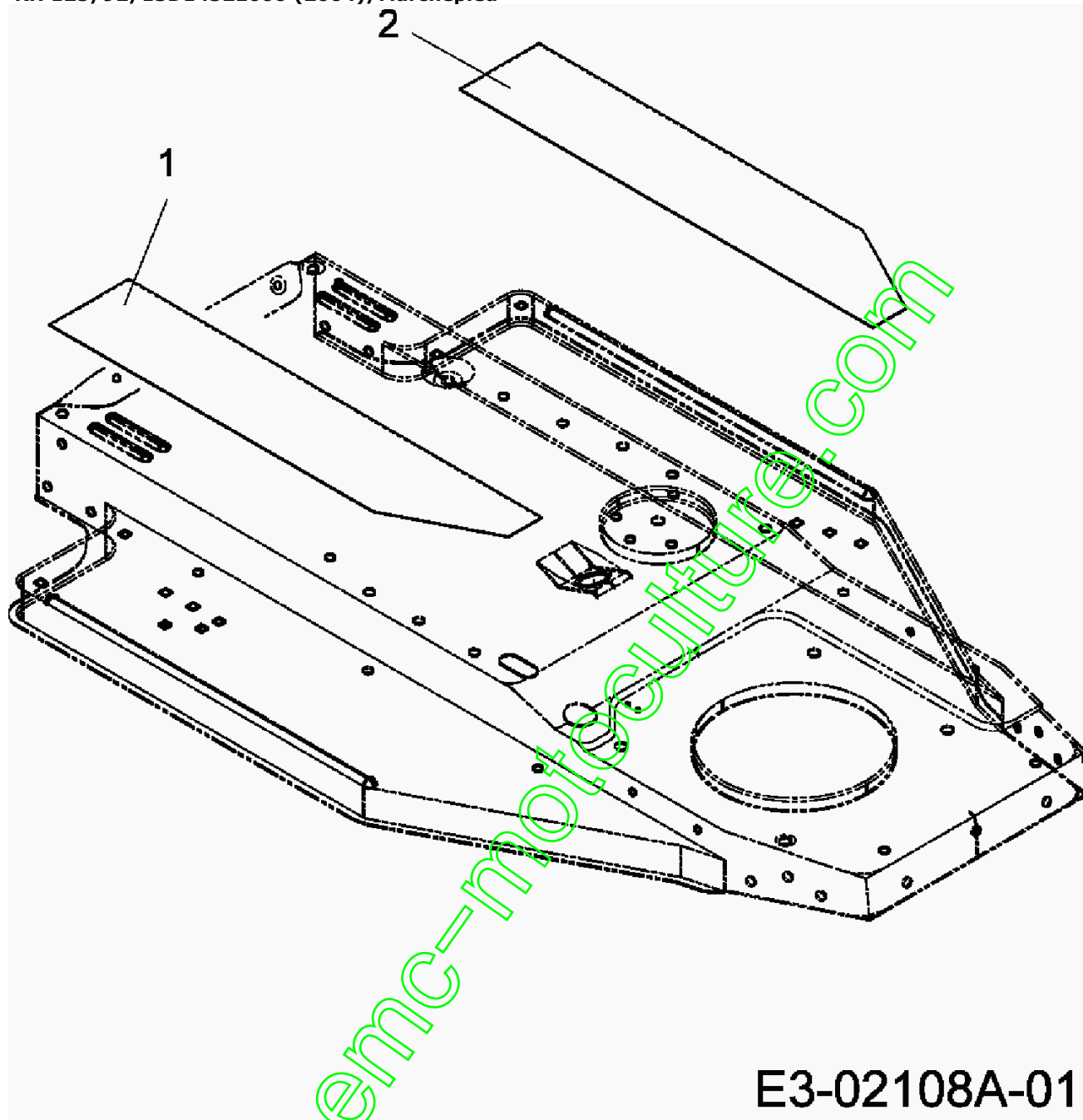


E3-02105A-01

Sys. Direction

Position	Partnumber	Quantity	Designation	Standard	Additional
1	17547	1	SUPPORT	17547	
2	17548	1	SUPPORT	17548 SCHWARZ GEPULVERT	
3	617-04010	1	LENKSEGMENT VOLLST. 400		
4	710-0538	1	VIS	FINISH:701-01000	
5	710-0602	1	VIS 5/16-18:1.00:HXIND	FINISH:MTD SPEC-701-01002	
6	710-0643	1	VIS	LOCTITE MICROVERKAPSELT	
7	710-0726	7	VIS 5/16-12:0.750:HXINDWS	FINISH:701-01002	
8	710-0805	1	VIS	FINISH:701-01000	
9	710-1376	6	VIS M8X16-8.8 DIN 933	FINISH:701-01000 21.1441.68	
10	710-1681	2	VIS HEXAGONALE DIN 933	MTD SPEC-100015 21.1441.70	
11	712-0130	1	ECROU POLY STOP 3/8-16" GR 8	FINISH:701-01000	
12	712-0240	1	ECROU 7/16-20 : GR 2	FINISH:MTD STD 701-01000	
13	712-0262	1	ECROU	FINISH:701-01000	
14	712-0429	3	ECROU:5/16-18:GR5:NYLON	FINISH:701-01000	
15	712-0431	2	ECROU STOP 3/8-16	FINISH:MTD SPEC-100015	
16	712-0692	6	ECROU	FINISH:SPEC-100015 24.1426.18	
17	714-0470	2	EPINGLE EX AF-43010	FINISH:PHOS & OIL 470 32 32	
19	723-0448A	1	ROTULE DE DIRECTION 7/16-20	FINISH:GELBVERZINKT	
20	736-0187	1	RONDELLE .64X1.24X.06	FINISH:701-01001	
21	736-0226	2	RONDELLE	FINISH:701-01000	
22	736-0262	1	RONDELLE	FINISH:701-01000	
23	736-0343	1	RONDELLE .330 ID X 1.25 X .12	FINISH:701-100015	
24	736-3004	1	RONDELLE	FINISH:701-01000	
25	738-0141	1	AXE		
26	738-0322	1	AXE	FINISH:VERZINKT SIEHE ZG.	
27	738-0527	2	BOULON	738-0527	
28	738-0937	1	ARBRE DE DIRECTION		
29	741-0225	1	BAGUE HEXAGONALE TEFLON 6 PANS	FINISH:Schwarz	
30	741-0475	1	BAGUE PLASTIQUE	741-0475/941-0475	
31	747-04008	1	TRINGLE DE DIRECTION	747-04008	
32	747-04182	1	TRINGLE DE DIRECTION	FINISH: SIEHE ZG.	
33	748-04014B	1	BIELLETTE DE DIRECTION	948-04014B	
34	750-0532	1	ENTRETOISE 980IDX1.250DX.0420		
35	783-0255B	1	SUPPORT GAUCHE	783-0255B-0637	
36	783-0256B	1	SUPPORT DROITE	SCHWARZ GEPULVERT	

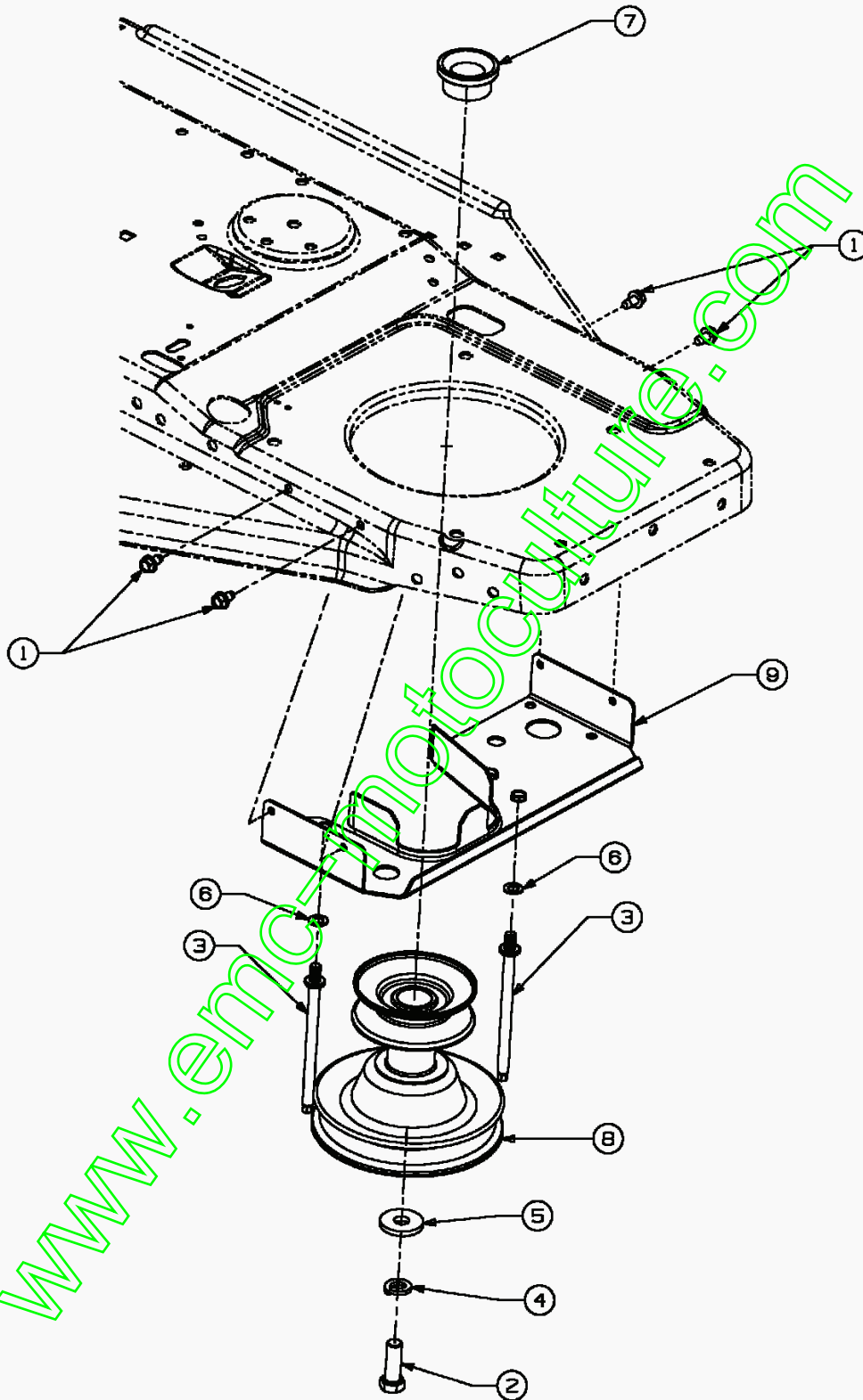
RH 125/92/13D1452E600 (2004)/Marchepied



Marchepied

Position	Partnumber	Quantity	Designation	Standard	Additional
1	723-0474	1	BANDE ANTI-DERAPANTE DR	Antirutschbelag A.Nr9339705050	
2	723-0475	1	REVETEMT MARCHP. GAUCH SS tro	Antirutschbelag ANr.9339605050	

www.emc-motoculture.com

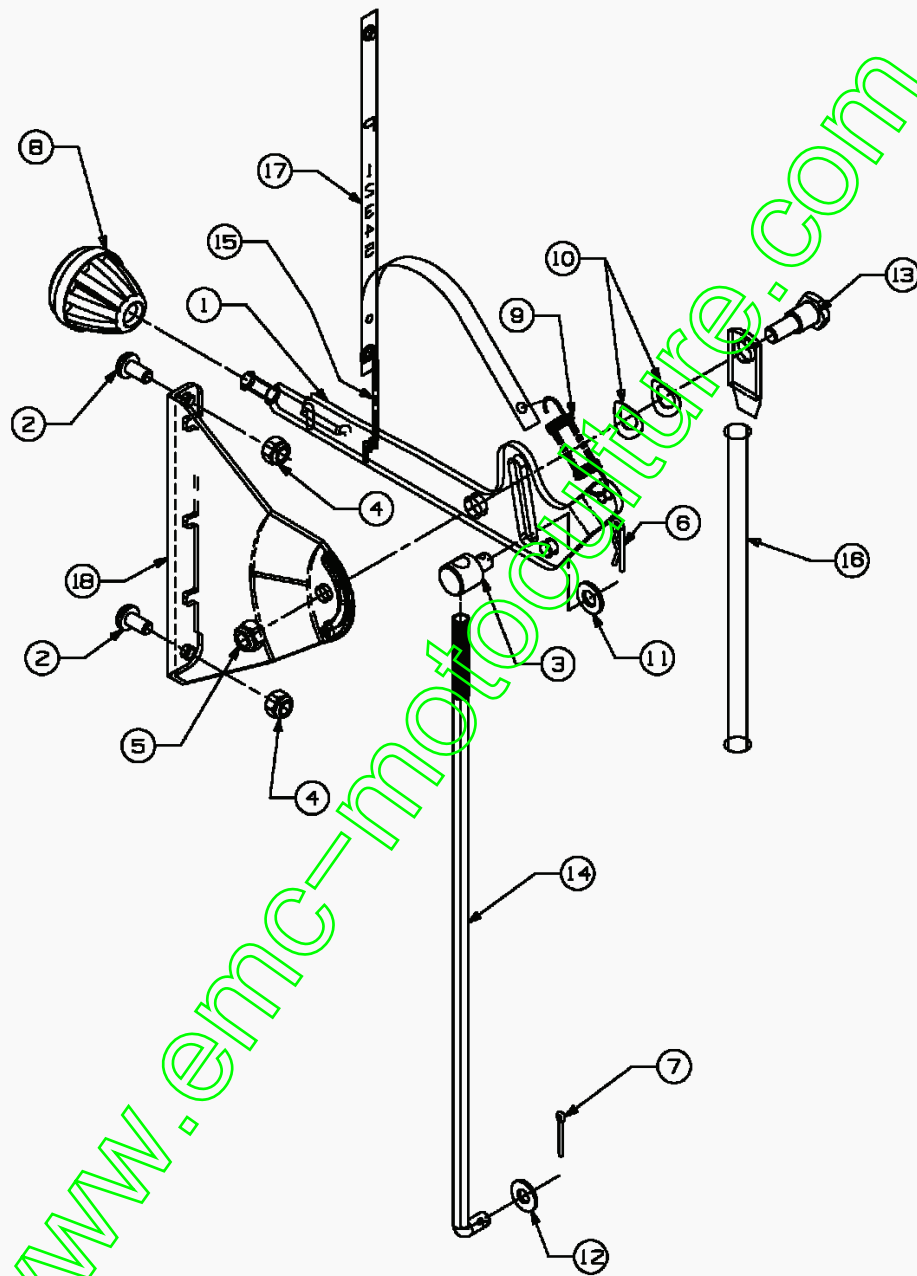


E3-02111A-01

Poulie moteur

Position	Partnumber	Quantity	Designation	Standard	Additional
1	710-0599	4	VIS	FINISH:MTD SPEC-701-01002	
2	710-3029	1	VIS	FINISH:701-01000	
3	711-1239	2	GUIDE COURROIE	400er Serie:FINISH:PHOS & OIL	
4	736-0171	1	RONDELLE 7/16"	FINISH:MTD STD 701-01001	
5	736-0322	1	RONDELLE .450 X 1.250 X .164	936-0322 / FINISH:701-01001	
6	736-0708	2	RONDELLE	SCHNORR D 8 24.8190.18	
7	750-0956	1	ENTRETOISE 1,010x1.400x.825	750-0956	
8	756-0982B	1	POULIE DOUBLE MOTEUR	3.56 X 5.56 DIA:SPEC 701-01000	
9	783-1109A	1	PROTEGE COURROIE	SCHWARZ	

www.emc-motoculture.com



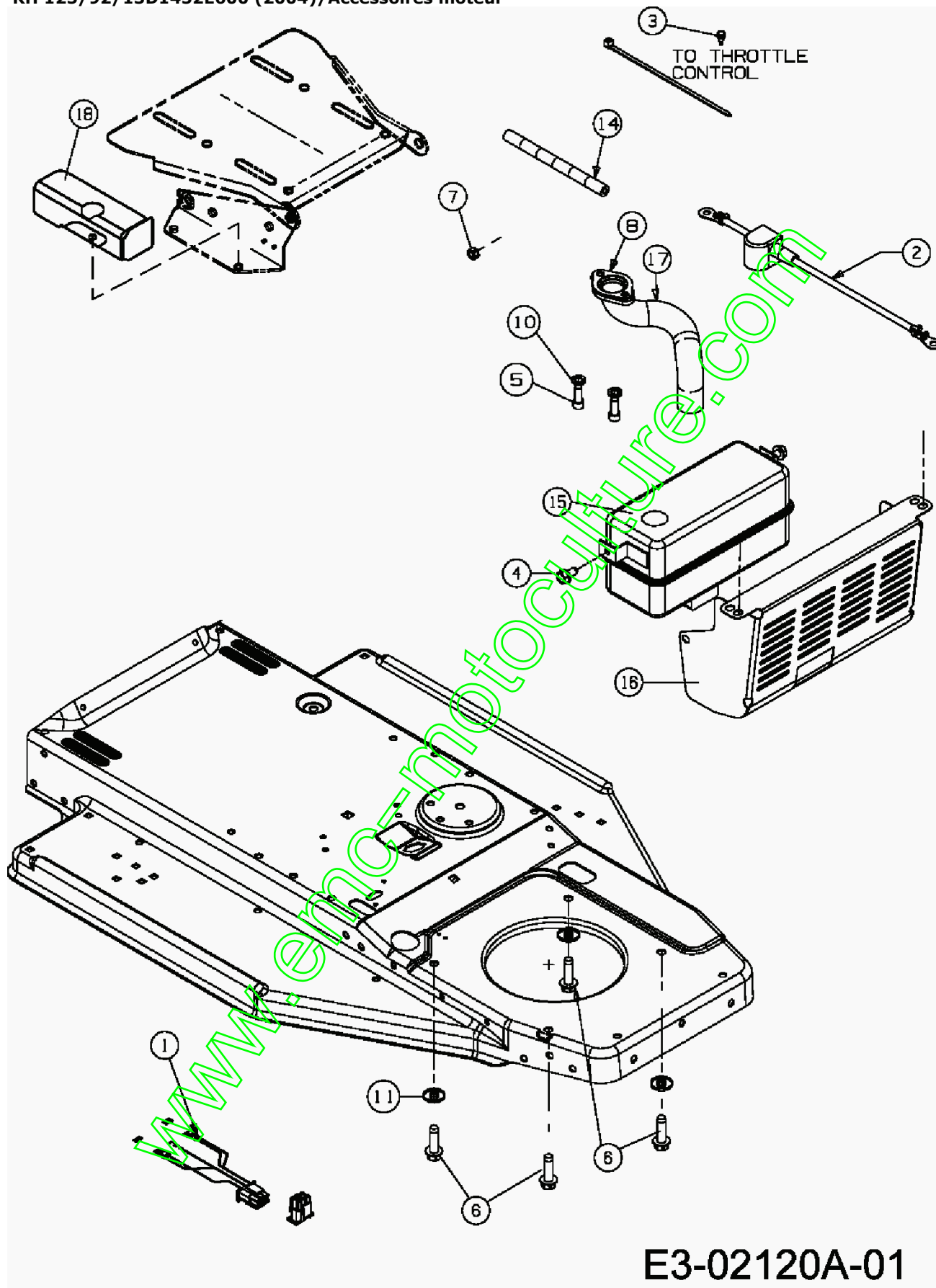
E3-02112A-01

Commande de direction

Position	Partnumber	Quantity	Designation	Standard	Additional
1	17457B	1	LEVIER DE VITESSE	FINISH:VERZINKT SIEHE ZG.	
2	710-0286	2	VIS 1/4-20X;50"	FINISH:701-01000	
3	711-0677	1	EMBOUT- EX 711-0611	FINISH:VERZINKT SIEHE ZG.	
4	712-0324	2	ECROU:1/4-20:GR8:NYLON	FINISH:701-01000	
5	712-0429	1	ECROU:5/16-18:GR5:NYLON	FINISH:701-01000	
6	714-0104	1	GOUPILLE	FINISH:PHOS AND OIL	
7	714-0507	1	EPINGLE	FINISH:701-01000	
8	720-0232	1	POIGNEE	FINISH:SCHWARZ	
9	732-0691	1	RESSORT	732-0691	
10	736-0141	2	RONDELLE	FINISH:701-01001	
11	736-0264	1	RONDELLE 330 IDX.0630 X .06	FINISH:701-01000 936-0264	
12	736-0463	1	RONDELLE	FINISH:701-01000	
13	738-0138A	1	VIS	FINISH:MTD STD 701-01006	
14	747-0675A	1	TIGE FILETEE	747-0675A	
15	747-0816	1	CROCHET IND VIS	747-0816	
16	749-0836A	1	TRINGLE	749-0836A-0637	
17	683-0332	1	BANDE INDIC 5 VITS	TRANSMATIC	
18	783-0994	1	TRANSMATIC E-DECK	TANSMATIC E-DECK	

www.emc-motoculture.com

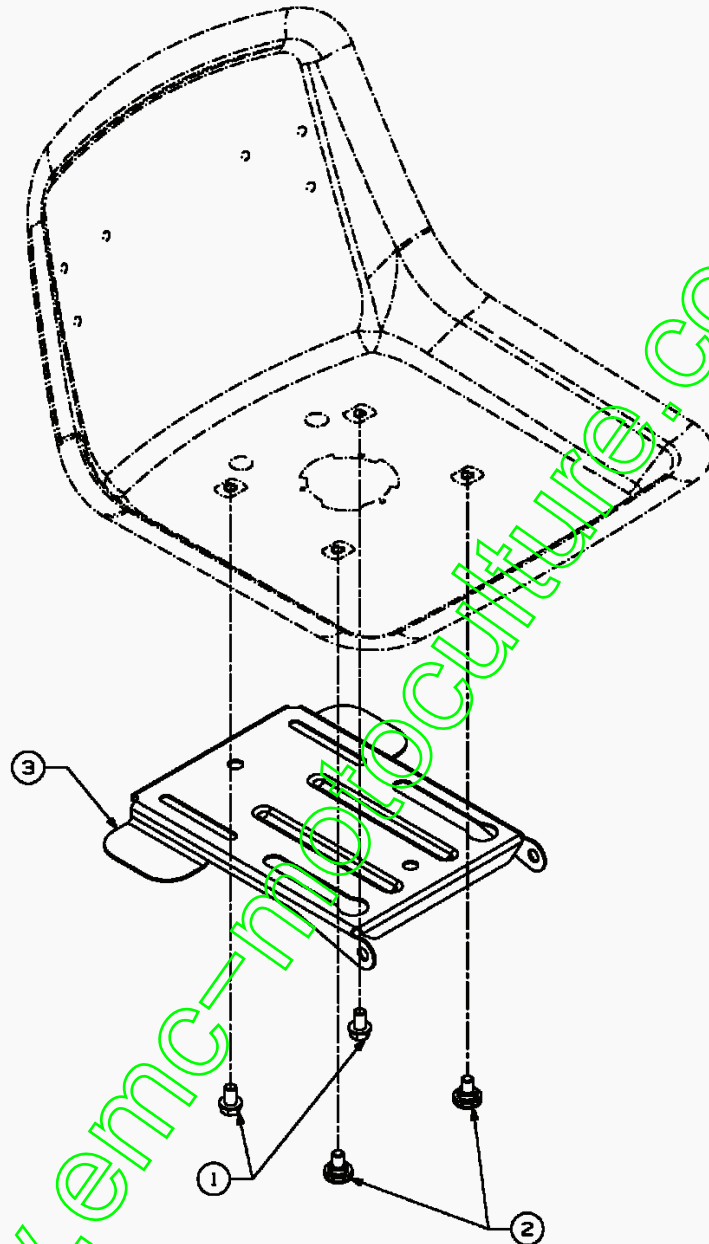
RH 125/92/13D1452E600 (2004)/Accessoires moteur



Accessoires moteur

Position	Partnumber	Quantity	Designation	Standard	Additional
1	629-04035	1	ADAPTER-KABEL :ADAP:400		
2	629-0705	1	CABLE BATTERIE ROUGE 356MM	GUMMISCHUTZKAPPE GROSS ROT	
3	710-0456	1	VIS	FINISH:701-01002	
4	710-0604A	2	VIS	FINISH:MTD SPEC-701-01002	
5	710-1314A	2	VIS	GR.8 FINISH:PHOS & OIL	
6	710-0502A	4	VIS	SELBSTSCHNEIDEND SPEC701-01002	
7	712-0271	1	ECROU 1/4-20"+ DISQUE DENTÉ	FINISH:701-010015	
8	721-0208	1	JOINT ECHAP B/S MONO CILYNDRE	272293	
9	725-0157	1	COLLIER CABLE 3/16X.05x7.4	PB-Nr. 5652 schwarz	
10	736-0708	2	RONDELLE	SCHNORR D 8 24.8190.18	
11	736-3072	3	RONDELLE	FINISH:701-01001	
14	751-0535	13	TUYAU ESSENCE	Ø12,7+/-5.84 / Ø6,35+/-0,41	
15	751-0627	1	ECHAPPEMENT OHV400	751-0627	
16	751-0631A	1			
17	751-0640A	1	AUSPUFFKRÜMMER:TEC OHV	FINISH:NONE	
18	783-0297	1	PROTECTION SIEGE	783-0297-0637	

www.emc-motoculture.com



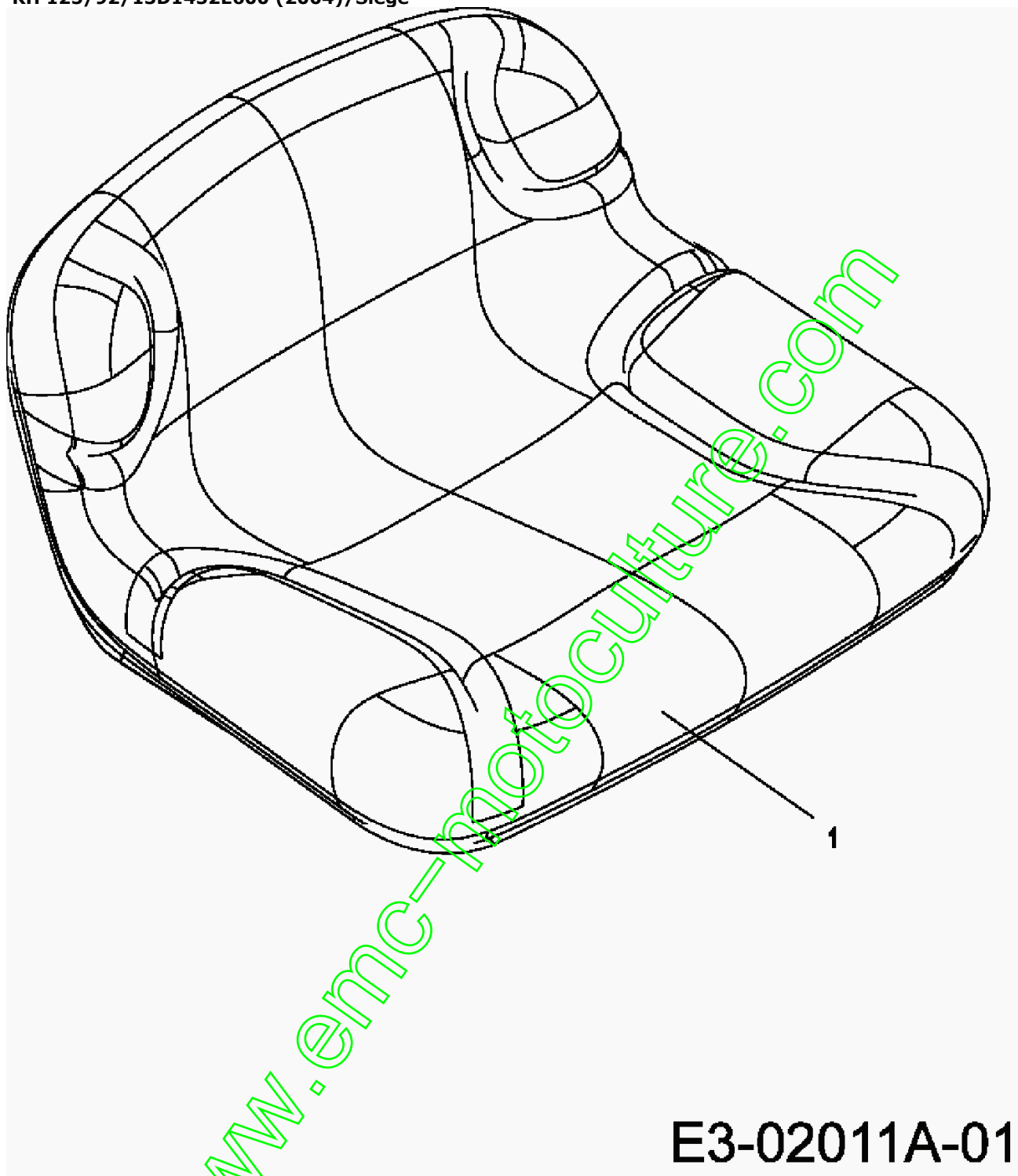
E3-02124A-01

Fixation de siège

Position	Partnumber	Quantity	Designation	Standard	Additional
1	710-0870	2	VIS	710-0870 / 910-0870	
2	738-04012	2	VIS DE SIEGE	3/8-16	
3	783-04081A	1	SUPPORT DE SIEGE	(MANUELLE VERSTELLUNG)	

www.emc-motoculture.com

RH 125/92/13D1452E600 (2004)/Siège

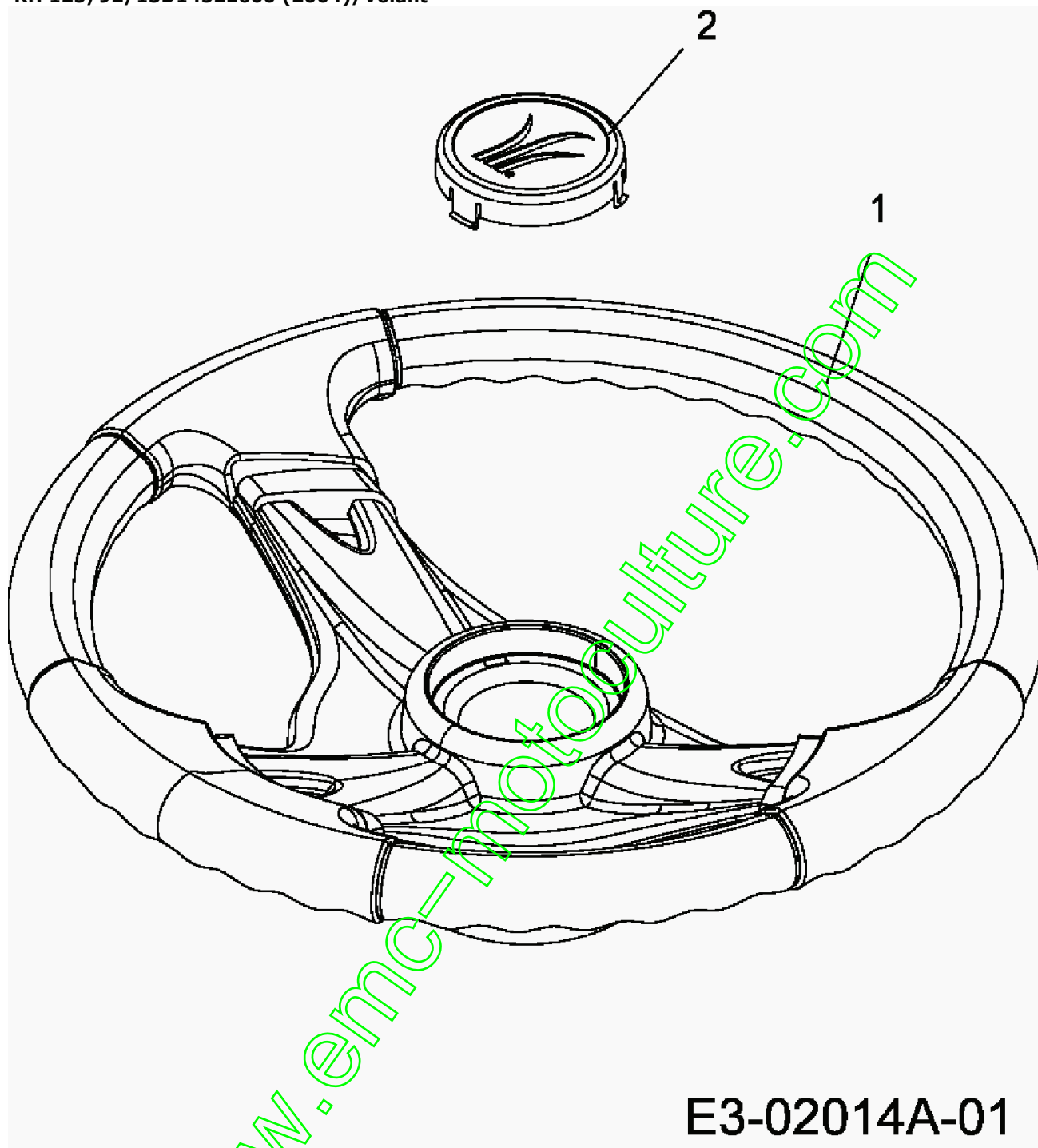


Siège

Position	Partnumber	Quantity	Designation	Standard	Additional
1	757-04001	1	SIEGE BAS	757-04001	

www.emc-motoculture.com

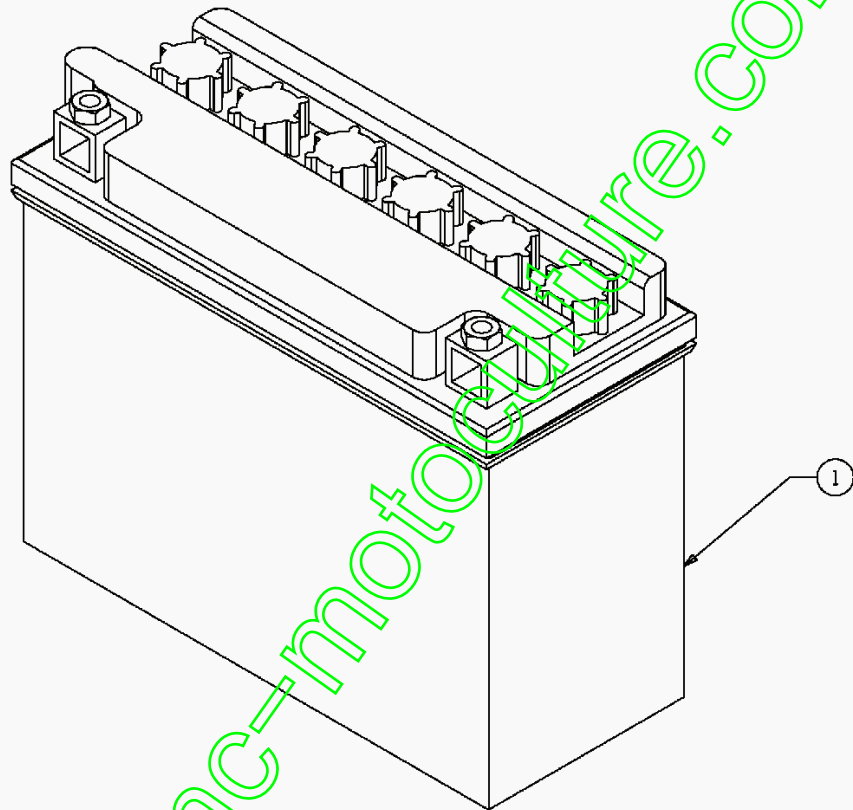
RH 125/92/13D1452E600 (2004)/Volant



Volant

Position	Partnumber	Quantity	Designation	Standard	Additional
1	631-04028	1	VOLANT		
2	731-04040	1	COUVERCLE DE VOLANT	MIT LOGO	

www.emc-motoculture.com

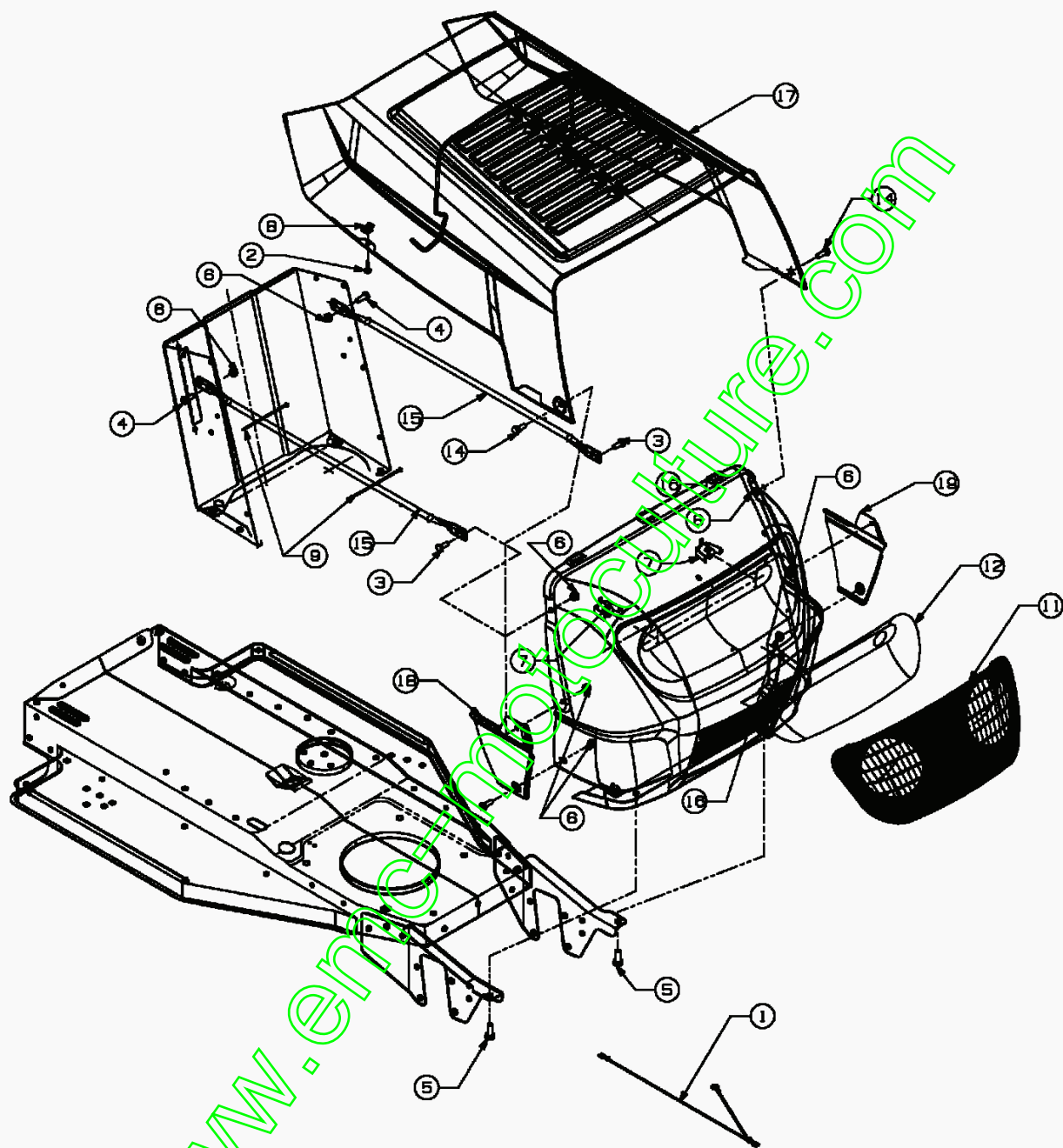


E3-02230A-01

Batterie

Position	Partnumber	Quantity	Designation	Standard	Additional
1	725-1635	1	BATTERIE 12V /20AH	C50N18L-A-CX	

www.emc-motoculture.com

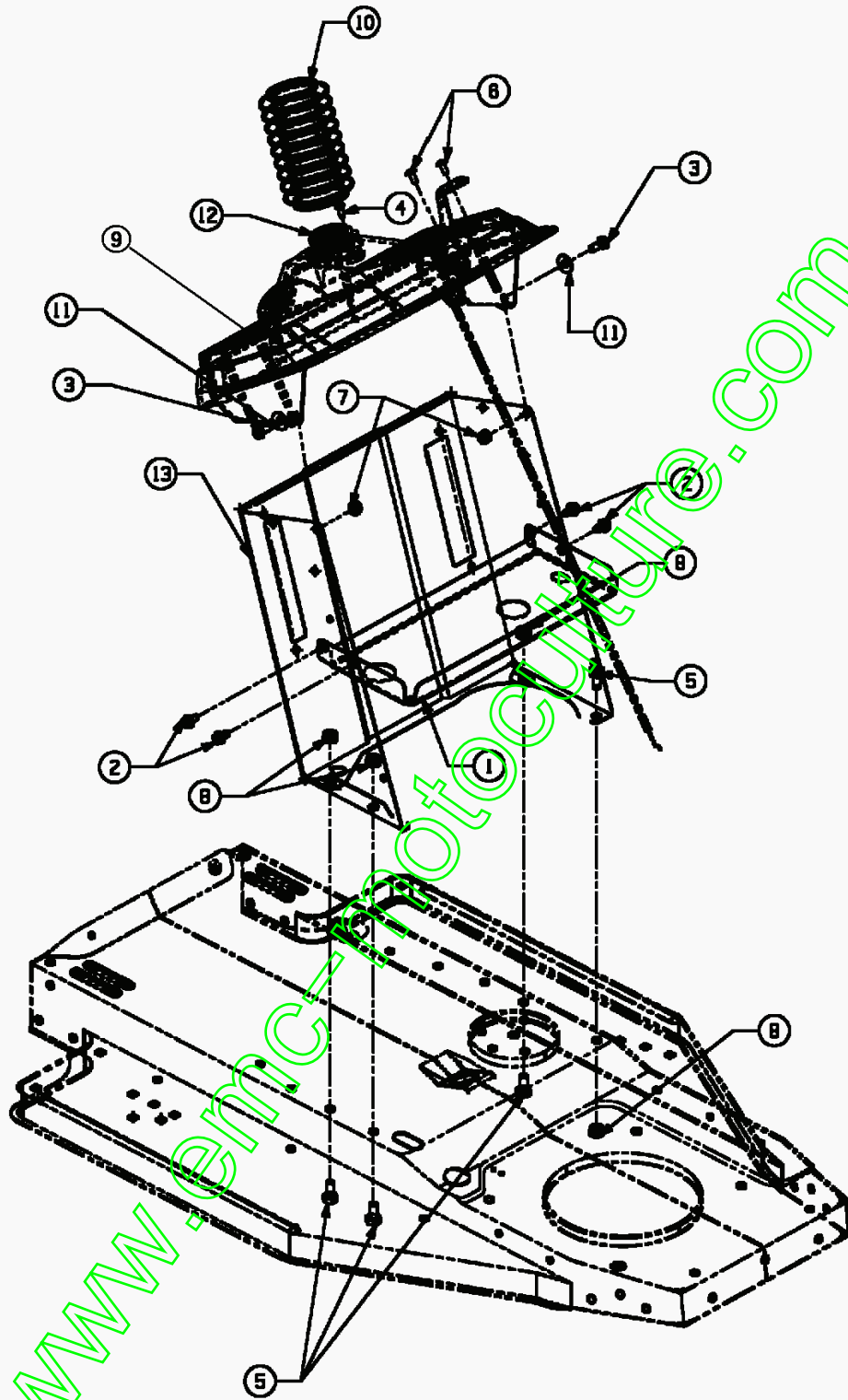


E3-02058A-01

Capot de moteur

Position	Partnumber	Quantity	Designation	Standard	Additional
1	629-0742	1	CABLE	#18 X 21.0 LG GRUEN	
2	710-0589	2	VIS	FINISH:701-01002	
3	710-0751	2	VIS	FINISH:701-01000	
4	710-0924	4	VIS 1/4-20X;75" LG	FINISH:701-01000	
5	710-1681	2	VIS HEXAGONALE DIN 933	MTD SPEC-100015 21.1441.70	
6	712-0324	8	ECROU:1/4-20:GR8:NYLON	FINISH:701-01000	
7	725-1651	2	SOCLE LONG	925-1651	
8	726-0130	2	ECROU 10Z-U	FINISH:PHOS & OIL SIEHE ZG.	
9	726-0197	2	ATTACHE CABLE	ART.-NR 5601 PB/ELEKTRO	
10	726-0365	2	BESTELL-Nr.BM 53313 000.02.520	BESTELL-Nr.BM 53313 000.02.520	
11	731-1503A	1	OPTIQUE DE PHARE	FINISH:KLAR	
12	731-2139	1	REFLECTEUR	(ALT 725-1790)	
13	732-0704	1	RESSORT	FINISH:PHOS & OIL	
14	738-0952A	2	VIS	FINISH:701-01000	
15	749-0722B	2	VOIR 749-0722B-0637	749-0722B-0637	
16	783-0156B	1			
17	783-0250	1	CAPOT	783-0250-0638/0674/0640/665	
18	783-0366	1	TOLE	2 STY	
19	783-0367	1	REVELEMENT LATERAL	2 STY	

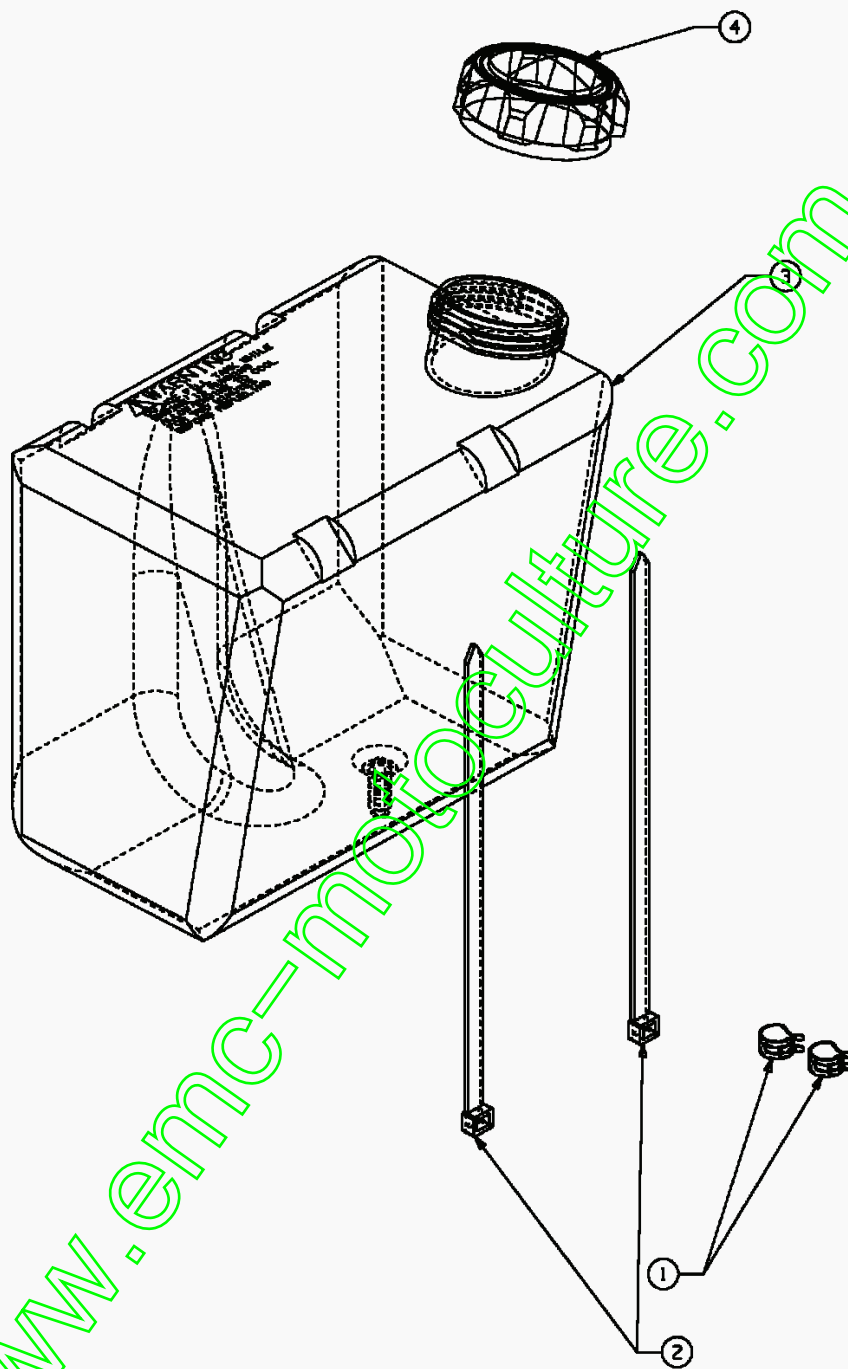
www.emc-motoculture.com



Panneau

Position	Partnumber	Quantity	Designation	Standard	Additional
1	17932	1	SUPPORT RESERVOIR	STYLE-1	
2	710-0599	4	VIS	FINISH:MTD SPEC-701-01002	
3	710-0751	2	VIS	FINISH:701-01000	
4	710-0837	1	VIS	SK FINISH:701-01002	
5	710-1376	4	VIS M8X16-8.8 DIN 933	FINISH:701-01000 21.1441.68	
6	710-1760	2	VIS	PHOS & OIL (ähnlich 710-0779A)	
7	712-0324	2	ECROU:1/4-20:GR8:NYLON	FINISH:701-01000	
8	712-0692	4	ECROU	FINISH:SPEC-100015 24.1426.18	
9	731-04412A	1	TABLEAU DE BORD	CHOKEMATIC SCHWARZ	
10	731-0954	1	SOUFFLET	731-0954	
11	736-0270	2	RONDELLE 265 X 75 X 0.62"	FINISH:701-01001	
12	741-0501	1	SUPPORT ARBRE DE DIRECTION	741-0501	
13	783-1102	1	ARMATURENTRÄTER 400' E-DECK		

www.emc-motoculture.com



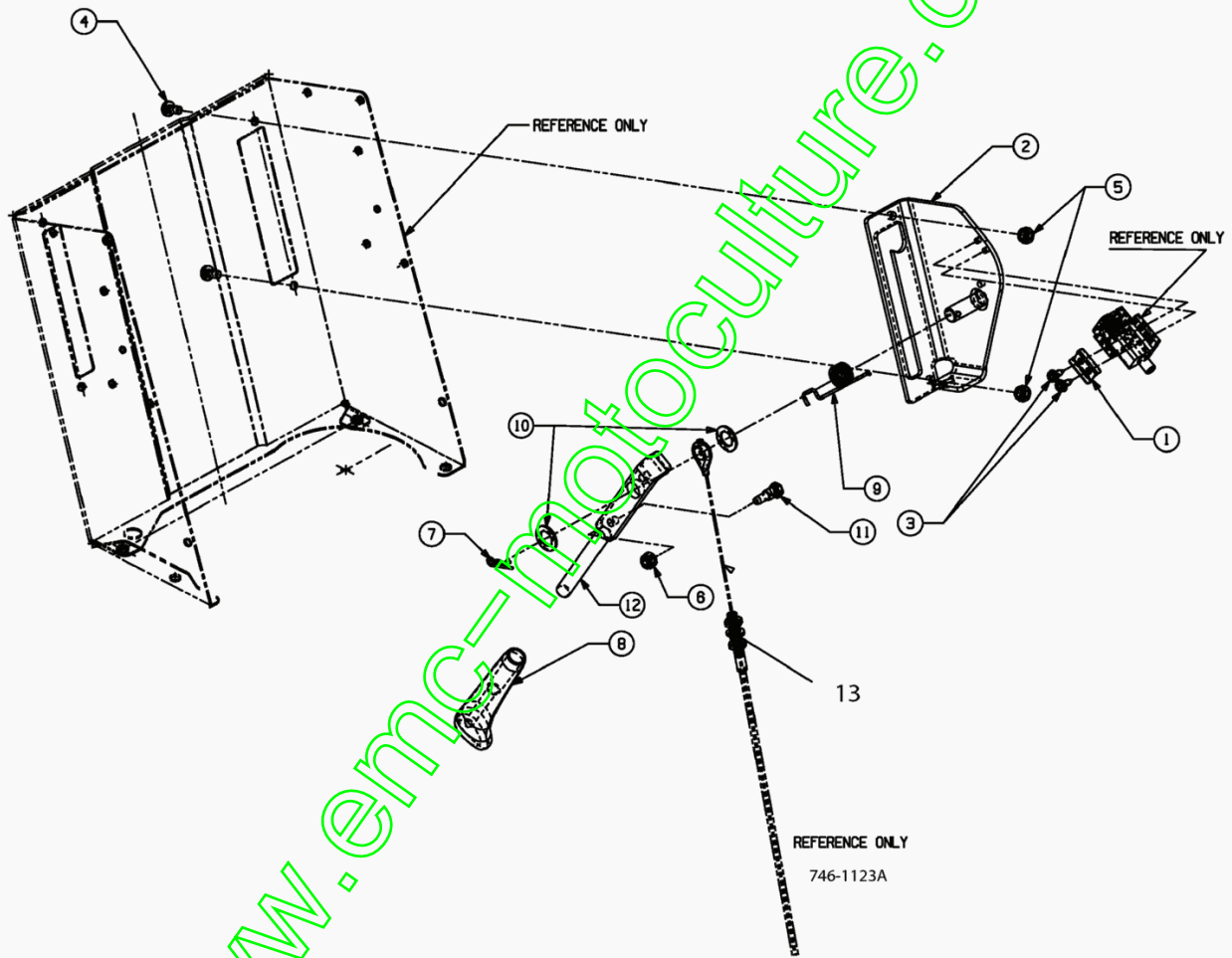
E3-02131A-01

Reservoir

Position	Partnumber	Quantity	Designation	Standard	Additional
1	726-0205	2	CLIPS	FINISH:PHOS UND GELB LACKIERT	
2	726-0209	2	COLLIER CABLE	5615 PB FINISH:SCHWARZ	
3	751-0553	1	RESERVOIR 5 L ENV.	1.25 GALLON FINISH:SIEHE ZG.	
4	751-0603	1	BOUCHON RESERVOIR ESSENCE	FINISH:SCHWARZ	

www.emc-motoculture.com

RH 125/92/13D1452E600 (2004)/Levier de commande,man.PTO



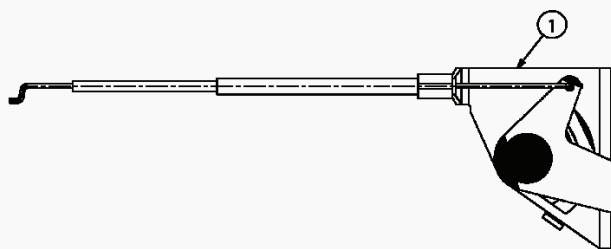
E3-02223A-01

Levier de commande,man.PTO

Position	Partnumber	Quantity	Designation	Standard	Additional
1	17962	1	PLAQUETTE	17962	
2	683-0436	1	HALTEKONSOLE VOLLST.MANUEL PTO	SCHWARZ GEPULVERT	
3	710-0224	2	VIS	FINISH:MTD STD 701-01002	
4	710-0286	2	VIS 1/4-20X;50"	FINISH:701-01000	
5	712-0324	2	ECROU:1/4-20:GR8:NYLON	FINISH:701-01000	
6	712-0896	1	ECROU	FINISH:701-01000	
7	714-0101	1	GOUPILLE .08 x 1,42"	FINISH:PHOS & OIL	
8	731-2509	1	POMMEAU RELEVAGE DE COUPE	FINISH:SCHWARZ	
9	732-1017A	1	DREHFEDER		
10	736-3068	2	RONDELLE	FINISH:701-01000	
11	738-0924	1	AXE	738-0924	
12	747-1271	1	HEBEL MAN PTO		
13	746-1123A	1	CABLE		

www.emc-motoculture.com

RH 125/92/13D1452E600 (2004)/Levier de commande



E3-02132A-01

www.emc-motoculture.com

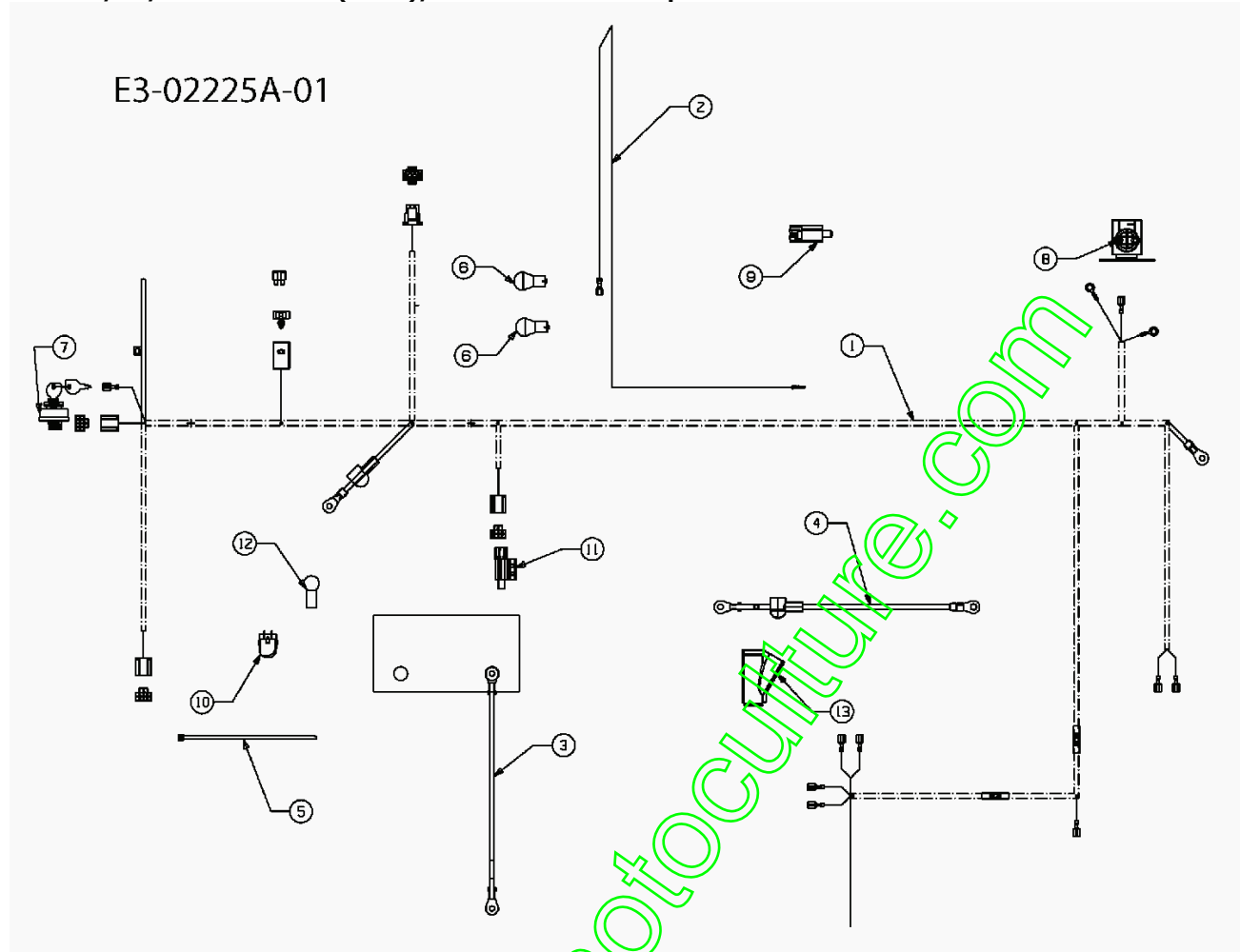
Levier de commande

Position	Partnumber	Quantity	Designation	Standard	Additional
1	746-04020A	1	CABLE GAZ 47CM	CHOKE:18.5 x .63 EXT	

www.emc-motoculture.com

RH 125/92/13D1452E600 (2004)/Assortiment électrique

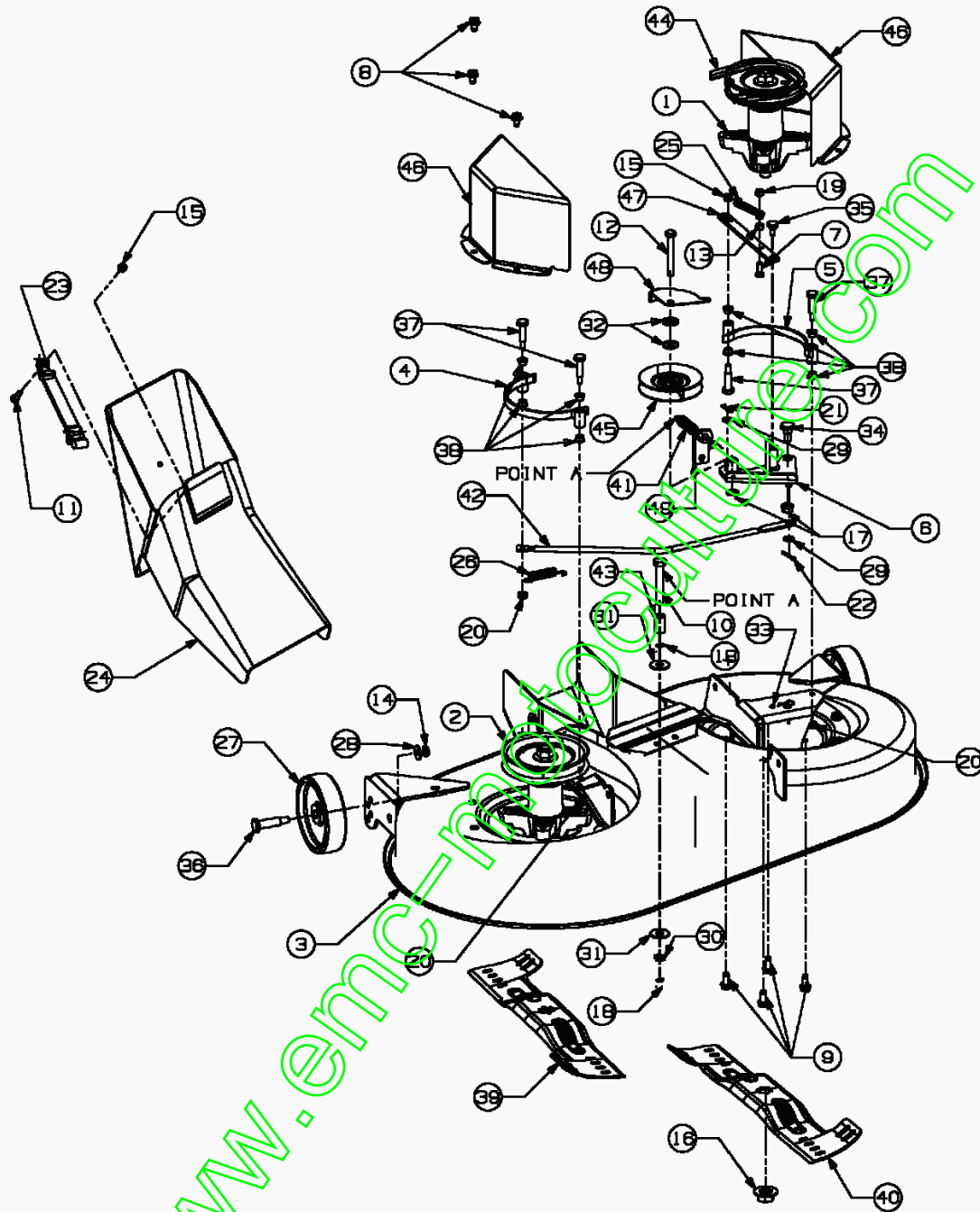
E3-02225A-01



Assortiment électrique

Position	Partnumber	Quantity	Designation	Standard	Additional
1	629-04028	1	FAISCEAU COMPLET		
2	629-04078A	1			
3	629-0702	1	FIL BATTERIE NOIR 330MM		
4	629-0956	1	FIL DE BATTERIE ROUGE	GUMMISCHUTZKAPPE, KLEIN, ROT	
5	725-0157	1	COLLIER CABLE 3/16X.05x7.4	PB-Nr. 5652 schwarz	
6	725-0963	2	AMPOULE DE PHARE		
7	725-1396A	1	CONTACTEUR AVEC CLE:6 POLES		
8	725-1426	1	RELAIS DE DEMARRAGE SOLENOID	725-1426 Mutter 712-0271	
9	725-1657A	1	SECURITE D'EMBAYAGE	Sich.Mähwerk+Kuppl. GRAU	
10	725-3166	1	INTERRUPTEUR BAC	FINISH:GRAU	
11	725-3169A	1	SECURITE DE LAME	725-3169A/925-3169A	
12	725-3238	1	800N8V14	800N8V14	
13	731-2021	1	RACCORD Y PLASTIC DE FAISCEAU	FINISH: SCHWARZ 9817201	

www.emc-motoculture.com



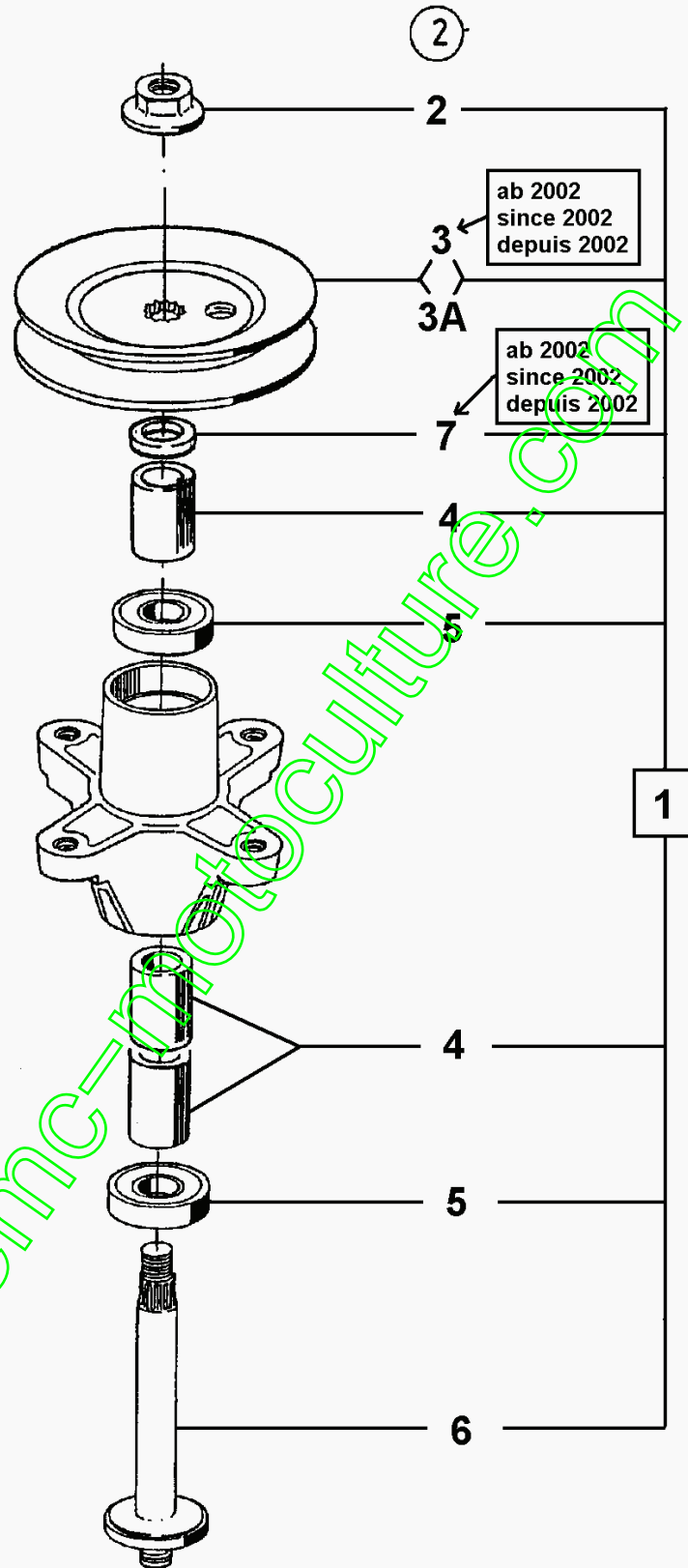
E3-02167A-01

Plateau de coupe

Position	Partnumber	Quantity	Designation	Standard	Additional
1	618-0408A	1	MESSERSPINDEL VOLLST:RIEMEN-	SCHEIBE:5.17 DIA 918-0408A	
2	618-0409	1	PALIER DE LAME COMPLET	618-0409/918-0409	
3	683-0286C	1			
4	683-0426	1	FREIN DROIT CPL.	VERZINKT	
5	683-0427	1	FREIN GAUCHE CLP	VERZINKT	
6	683-0451A	1			
7	710-0412	1	VIS	FINISH:701-01000	
8	710-0607	6	VIS	FINISH:MTD SPEC-701-01002	
9	710-1260A	8	VIS TT:5/16-18:.750 HXINDWSH	LAGERGEH.MESSERWELLE:701-01002	
10	710-1735	1	VIS	M10X70 ZN5GL VB (21.1443.99)	
11	710-3015	1	VIS:1/4-20:.75:GR5:STD	FINISH:701-01000	
12	710-3022	1	710-3022	FINISH:MTD STD 701-01000	
13	712-0117	1	ECROU	712-0117 / 912-0117	
14	712-0181	2	ECROU	TOP LOCK MTD SPEC-100015	
15	712-0324	2	ECROU:1/4-20:GR8:NYLON	FINISH:701-01000	
16	712-0417A	2	ECROU	FINISH:701-01000	
17	712-0431	2	ECROU STOP 3/8-16	FINISH:MTD SPEC-100015	
18	712-0635	2	ECROU	FINISH:Zn5glcB 24.1421.22	
19	712-0896	1	ECROU	FINISH:701-01000	
20	712-3027	3	ECROU	FINISH:701-01000	
21	714-0104	1	GOUPILLE	FINISH:PHOS AND OIL	
22	714-0115	1	GOUPILLE	FINISH:SIEHE ZG.	
23	723-0383	1	SANGLE POUR GOULOTTE D'EJECTI	723-0383	
24	731-2167	1	DEFLECTEUR AVANT	400er, HYDRO, E-DECK	
25	732-0303	1	RESSORT	FINISH:PHOS & OIL	
26	732-0433	1	RESSORT	732-0433	
27	734-0973	2	ROUE DE PLATEAU	SCHWARZ	
28	736-0105	2	RONDELLE BELLEVILLE	FINISH:MTD SPEC-100016	
29	736-0204	2	RONDELLE .344 X 62 X.03	FINISH:701-01000	
30	736-0686	1	RONDELLE	FINISH:SPEC-100016 24.8195.22	
31	736-0702	2	RONDELLE	MTD-SPEC 100015 24.6486.22	
32	736-3072	2	RONDELLE	FINISH:701-01001	
34	738-0143	1	VIS	FINISH:MTD STD 701-01000	
35	738-0255	1	AXE EPAULE	FINISH:ZINC SIEHE ZG.	
36	738-0373	2	AXE DE ROUE DE PLATEAU	FINISH:701-01000	
37	738-0572	4	VIS EPAULEE	LG	
38	741-3073	8	BAGUE PLASTIQUE	741-3073/941-3073	
39	742-04020	1	LAME DROITE	STAR BAG	
40	742-04021	1	LAME GAUCHE	STAR BAG	
41	746-1123A	1	CABLE		
42	747-1230	1	VERZINKT	VERZINKT	
43	750-1287	1	VERZINKT	VERZINKT	
44	754-0479	1	COURROIE DE LAME COUPE 92 CM		
45	756-0487	1	POULIE	FINISH:FARBE SCHWARZ	
46	783-0864	2	KEILRIEMENABDECKUNG 92CM		
47	783-1086A	1			
48	783-1087	1	GUIDE COURROIE	783-1087-0637	
49	783-1169	1	KABELHALTER 92cm DECK MAN-PTO	HYD/TRANS:FINISH:783-1169-Z	

RH 125/92/13D1452E600 (2004)/Axe de lame 618-0408A

618-0408A



fsg

E3-01364B-01

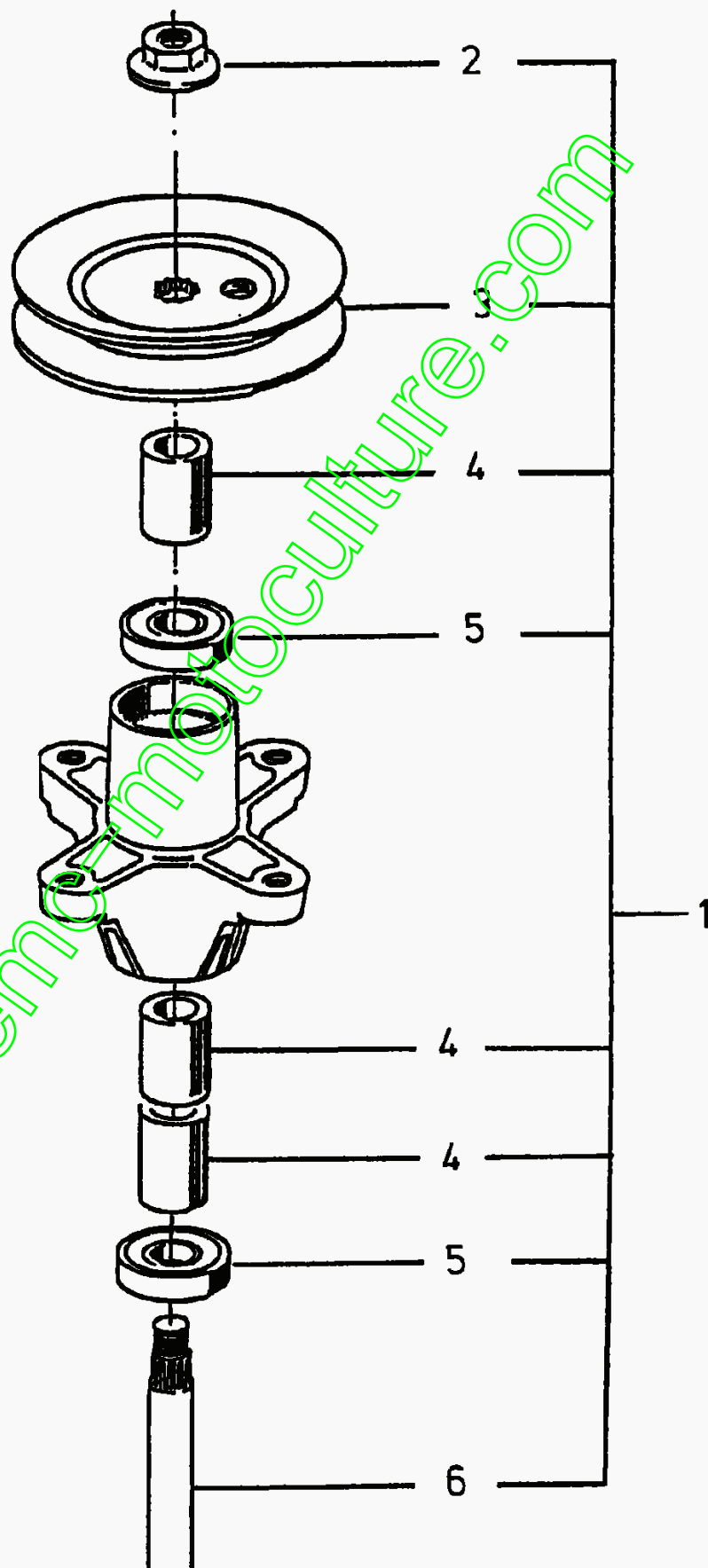
Axe de lame 618-0408A

Position	Partnumber	Quantity	Designation	Standard	Additional
1	618-0408A	1	MESSERSPINDEL VOLLST:RIEMEN-	SCHEIBE:5.17 DIA 918-0408A	
2	712-0417A	1	ECROU	FINISH:701-01000	
3	756-1187	1	POULIE DE PALIER DROITE		à partir du 2002
3A	756-0969	1	POULIE DE PLATEAU	756-0969	
4	750-1000	3	ENTRETOISE	FINISH:GEÔLT	
5	741-0919	2	ROULEMENT DE PALIER DE LAME	C3	
6	738-1128	1	AXE DE PALIER DE LAME	FINISH:EINGEÔLT	
7	748-0434	1	DOUILLE	748-0434	à partir du 2002

www.emc-motoculture.com

Spindle Assy. / Messerspindel vollst.

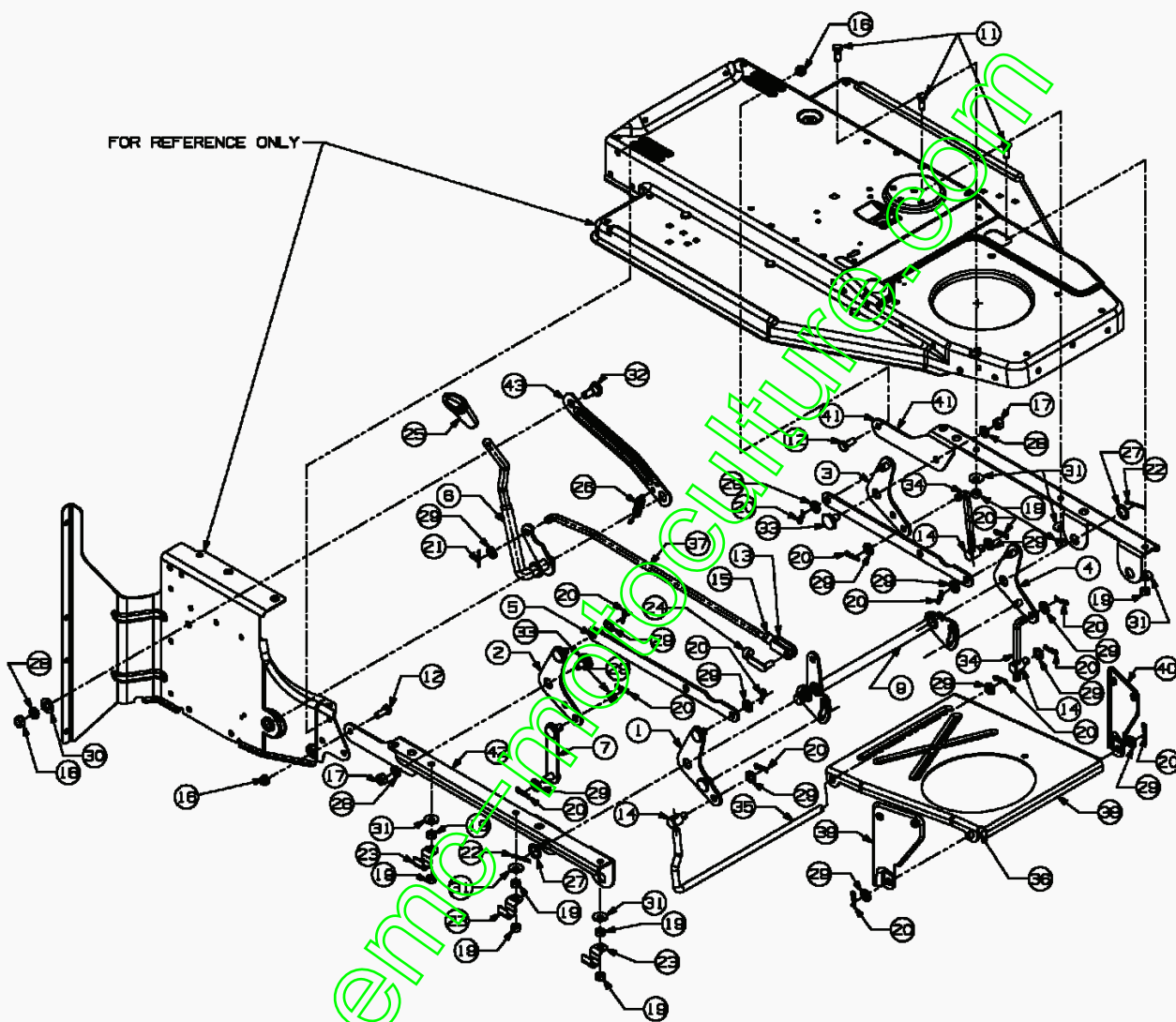
618-0409



Axe de lame 618-0409,918-0409

Position	Partnumber	Quantity	Designation	Standard	Additional
1	618-0409	1	PALIER DE LAME COMPLET	618-0409/918-0409	
2	712-0417A	1	ECROU	FINISH:701-01000	
3	756-1171	1	POULIE DE PALIER	E-TEIL-SET	
4	750-1000	3	ENTRETOISE	FINISH:GEÖLT	
5	741-0919	2	ROULEMENT DE PALIER DE LAME	C3	
6	738-1128	1	AXE DE PALIER DE LAME	FINISH:EINGEÖLT	fsg

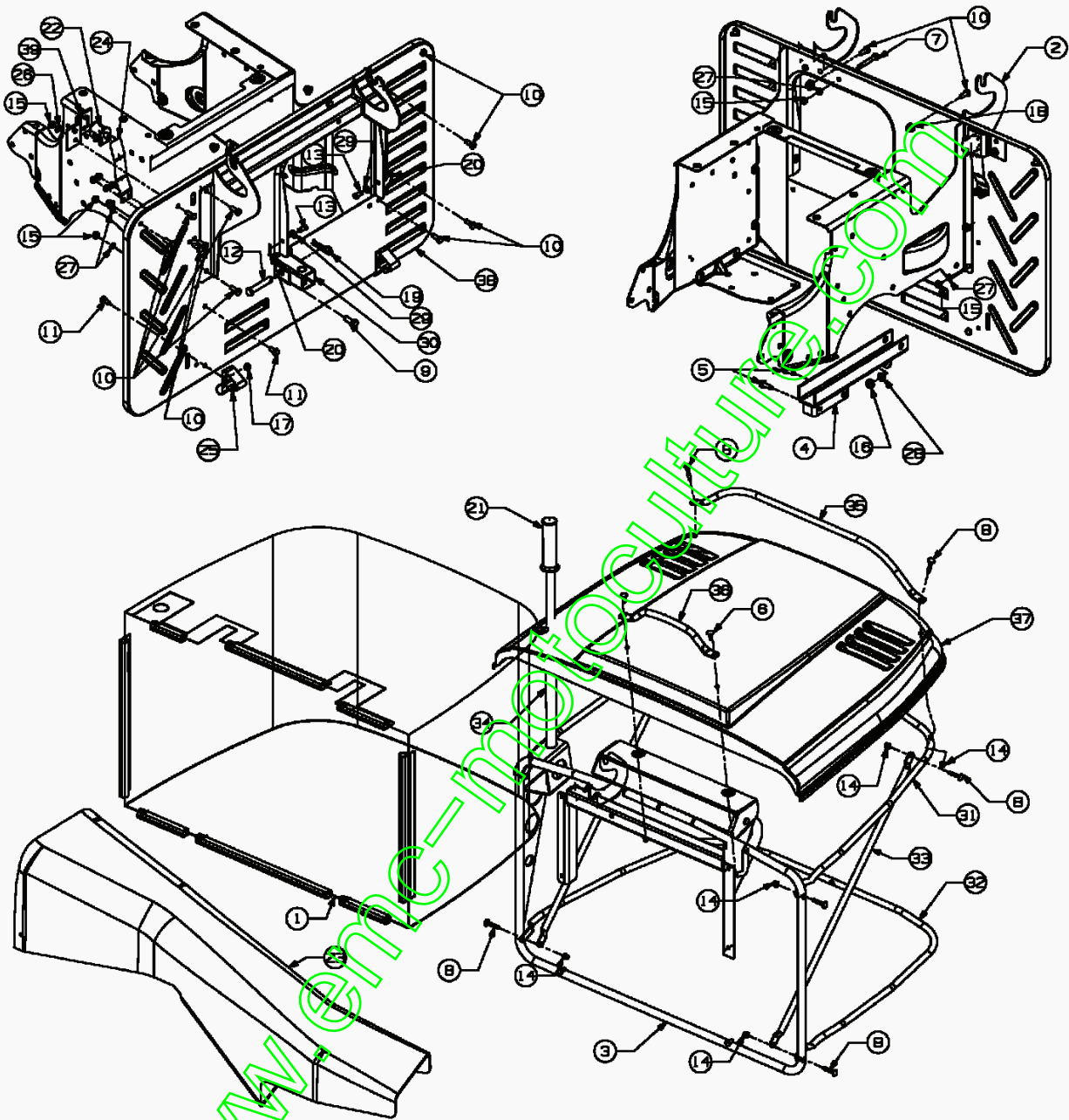
www.emc-motoculture.com



E3-02168A-01

Relevage plateau de coupe

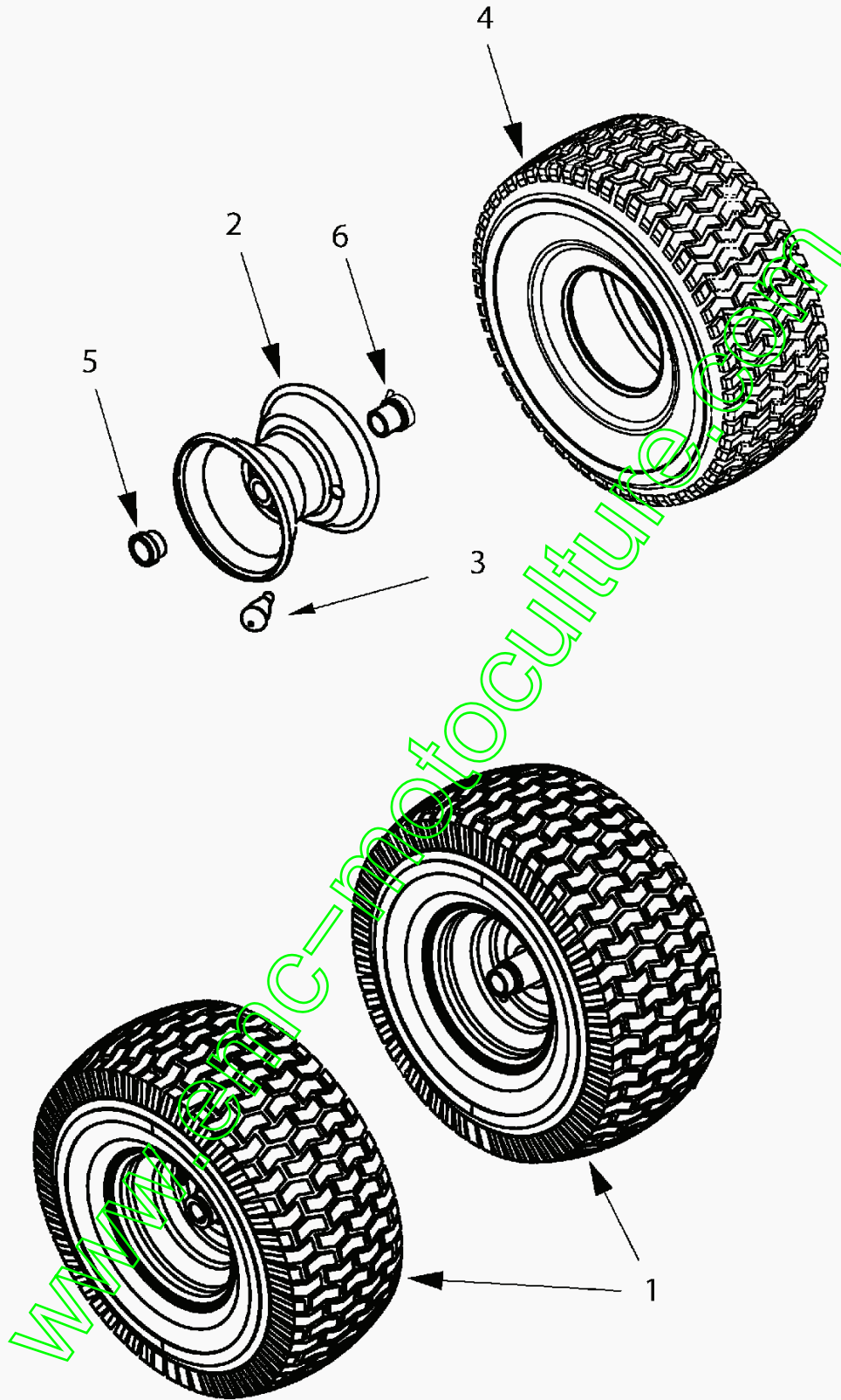
Position	Partnumber	Quantity	Designation	Standard	Additional
1	17554	1	SUPPORT	17554-0637	
2	17555	1	VOIR 97555	17555-0637	
3	17556	1	SUPPORT	17556-0637	
4	683-0233637	1	SCHWARZ GEPULVERT	SCHWARZ GEPULVERT	
5	17562	2	FERRURE G	17562-0637	
6	647-0056	1			
7	683-0111	1	ECLISSE DE JONCTION COMPL	.88 X3.31 LG	
8	683-0233	1	TRAGHEBEL LINKS VORNE		
9	683-0430	1	VERBINDUNGSWELLE VOLLST.		
11	710-1012	6	VIS	RD HD FINISH:PHOS & OIL	
12	710-1681	2	VIS HEXAGONALE DIN 933	MTD SPEC-100015 21.1441.70	
13	711-1407	1	TETE DE FOURCHE ZN5GL CB DIN71	Zn5glcB 9S20K 28.6218.17	
14	711-3397	3	CHEVILLE ,375 DIA X 31L	FINISH:ZINC SIEHE ZG.	
15	712-0690	1	ECROU	FINISH:MTD701-01000 24.1421.18	
16	712-0692	2	ECROU	FINISH:SPEC-100015 24.1426.18	
17	712-0798	2	ECROU	912-0798	
18	712-3017	2	ECROU	FINISH:701-01000	
19	712-3057	9	ECROU	FINISH:MTD STD 701-01000	
20	714-0104	16	GOUPILLE	FINISH:PHOS AND OIL	
21	714-0111	1	EPINGLE	FINISH:GELBVERZINKT	
22	714-0470	2	EPINGLE EX AF-43010	FINISH:PHOS & OIL 470 32 32	
23	726-0354	4	SUPPORT FUSEAU	400er SREIE	
24	726-0457	1	ES - ATTACHE DIN 71752	9S20K 25.9425.12	
25	731-2509	1	POMMEAU RELEVAGE DE COUPE	FINISH:Schwarz	
26	732-0898	1	RESSORT	Zn 10 glcB 000.31.026	
27	736-0116	2	RONDELLE	FINISH:701-01000	
28	736-0169	2	RONDELLE 3/8"	FINISH:MTD SPEC-100016	
29	736-0185	17	RONDELLE 3/8.738X.063	FINISH:701-01000	
30	736-0192	1	RONDELLE .531 X 93 X .090	FINISH:701-01000	
31	736-0242	6	RONDELLE	FINIS:701-01000	
32	738-0143	1	VIS	FINISH:MTD STD 701-01000	
33	738-0281	2	AXE	938-0281/ FINISH:ZINC SIEHE ZG	
34	747-1066A	2	TUBE ADJ D 9 MM X 4.17	400er E-DECK	
35	747-1188A	1	AXE	400er Hydro 92cm E-DECK	
36	747-1190A	1	VERZINKT	VERZINKT	
37	747-1233	1	GLANZVERZINKT	GLANZVERZINKT	
38	783-0850	1	PLAQUE STABILISATEUR		
39	783-0851A	1	STABILISATOR-HALTER RECHTS		
40	783-0852A	1	STABILISATOR-HALTER LINKS		
41	783-0853	1	HALTETRÄGER LINKS	FINISH:LACKIERT	
42	783-0854	1	HALTETRÄGER RECHTS	FINISH:LACKIERT	
43	783-0871	1	VERBINDUNGLASCHE 92CM DECK	783-0871	



E3-02169A-01

Bac recuperateur

Position	Partnumber	Quantity	Designation	Standard	Additional
1	664-0125A	1	TOILE DE BAC 200 LITRES "C/E"	SCHWARZ	
2	683-0230A	1	HALTER VOLLST.FANGKORB	SCHWEISSTEIL 0637/0665	
3	683-0231	1	CADRE BAC HE4160	SCHWEISSTEIL SCHWARZ	
4	683-0428	1	400 TRANS SCHWARZ LACKIERT	400 TRANS SCHWARZ LACKIERT	
5	710-0642	2	VIS	MTD SPEC-701-01002 910-0642	
6	710-1360	2	VIS	M5x16 Zn5gIcB 22.3419.00	
7	710-1391	1	VIS	21.1443.55	
8	710-1612	8	VIS	FINISH:Zn5gIcB 22.3419.03	
9	710-1681	1	VIS HEXAGONALE DIN 933	MTD SPEC-100015 21.1441.70	
10	710-1690	12	VIS	MTD SPEC-100015 21.1441.46	
11	710-1691	3	VIS	FINISH:Zn5gIcB 21.1441.45	
12	711-0679A	1	CHEVILLE	FINISH:SIEHE ZG.	
13	711-0701	2	CHEVILLE 25 X 50	FINISH:SIEHE ZG.	
14	712-0642	10	ECROU DE SECURITE	DIN 6926	
15	712-0689	10	ECROU	MTD SPEC-100015 24.1421.14	
16	712-0690	1	ECROU	FINISH:MTD701-01000 24.1421.18	
17	712-0691	2	ECROU	MTD SPEC-100015 24.1426.14	
18	712-0713	4	ECROU	DIN 6926 MTD SPEC-100015	
19	714-0147	1	PRISE PIVOTANTE 125 X 1,75	FINISH:SIEHE ZG.	
20	714-0507	2	EPINGLE	FINISH:701-01000	
21	720-0301	1	POIGNEE	MAGURA 240.1-10.22 000.37.552	
22	725-3166	1	INTERRUPTEUR BAC	FINISH:GRAU	
23	731-2168	1	CANAL D' EJECTION ARRIERE	400er, HYDRO, E-DECK	
24	732-0750A	1	LAMELLE SECURITE DE BAC	FINISH:SIEHE ZG.	
25	732-0838A	2	RESSORT	VERSCHLUSS	
26	736-0222	1	RONDELLE	FINISH:701-01001	
27	736-0648	9	RONDELLE	FINISH:SPEC-100016 24.8195.14	
28	736-0649	1	RESSORT RONDELLE DIN 127	FINISH:SPEC-100015 24.8195.18	
29	736-0730	2	RONDELLE	A7.4 (24.6481.16) ST	
30	749-0966	1	TUBE	749-0966-0637	
31	749-1009	1	ARMATURE SUP SERIE 400A	032.80.011	
32	749-1010	1	ARMATURE INF SERIE 400A	032.80.014	
33	749-1011	2	TRINGLE DE BAC SERIE 400A	032.80.012	
34	749-1012A	1	LEVIER DE RELEVAGE BAC A	VERZINKT	
35	749-1013	1	POIGNEE LONGUE	MTD-SCHWARZ 032.80.004	
36	749-1014	1	POIGNEE COURTE	SCHWARZ BAL 9005 032.80.005	
37	783-0583	1	CAPOT DE BAC A ET E	783-0583-0638/0499/0665/0650	
38	783-0858	1	PLAQUE ARRIERE DE BAC E		
39	783-0931	1			



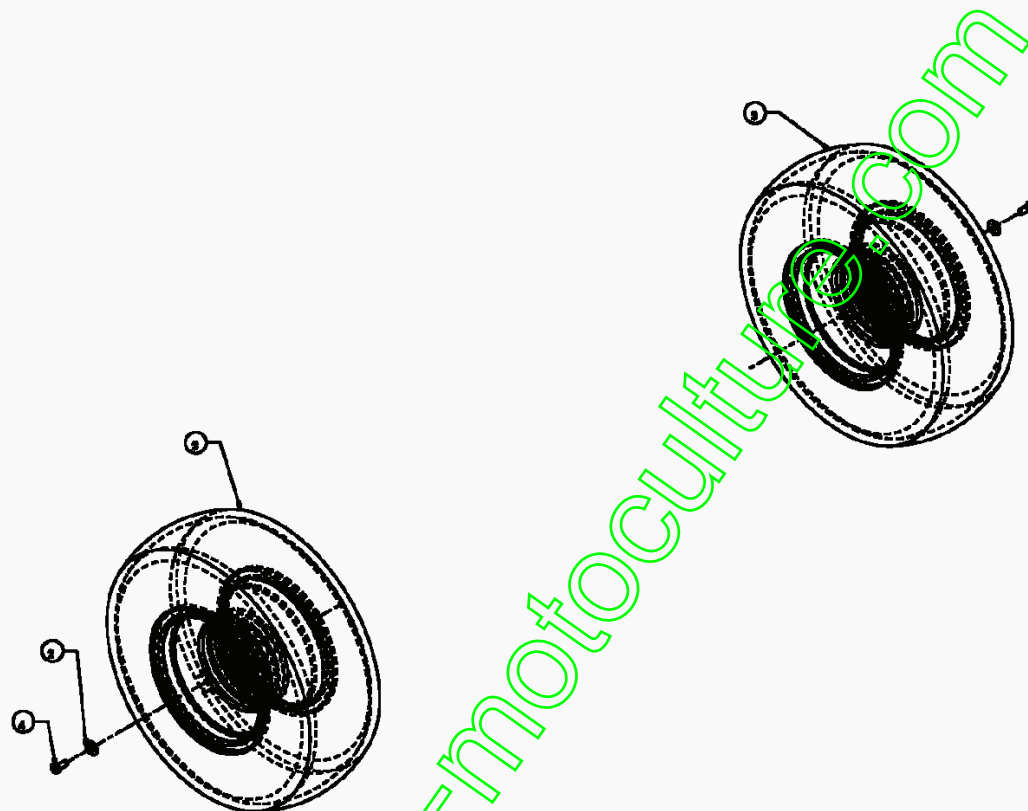
E3-02172A-01

Roues

Position	Partnumber	Quantity	Designation	Standard	Additional
1	634-0087A	2	ROUE COMPL 15X6,0		
2	634-0172	1	JANTE ,6,0X4,5	W/OHOL	
3	734-0255	1	VALVE	934-0255	
4	734-1731	1	PNEU 15X600X6 DICO MULTI-TRAC	SQ SHOULDER	
5	741-0487A	1	BAGUE DE ROUE AVANT	741-0487A (BR.748-0184)	
6	741-0706	1	BAGUE ROUE AVANTAVEC GRAISSEUR	MIT SCHMIERNIPPEL	

www.emc-motoculture.com

RH 125/92/13D1452E600 (2004)/Roues arrières

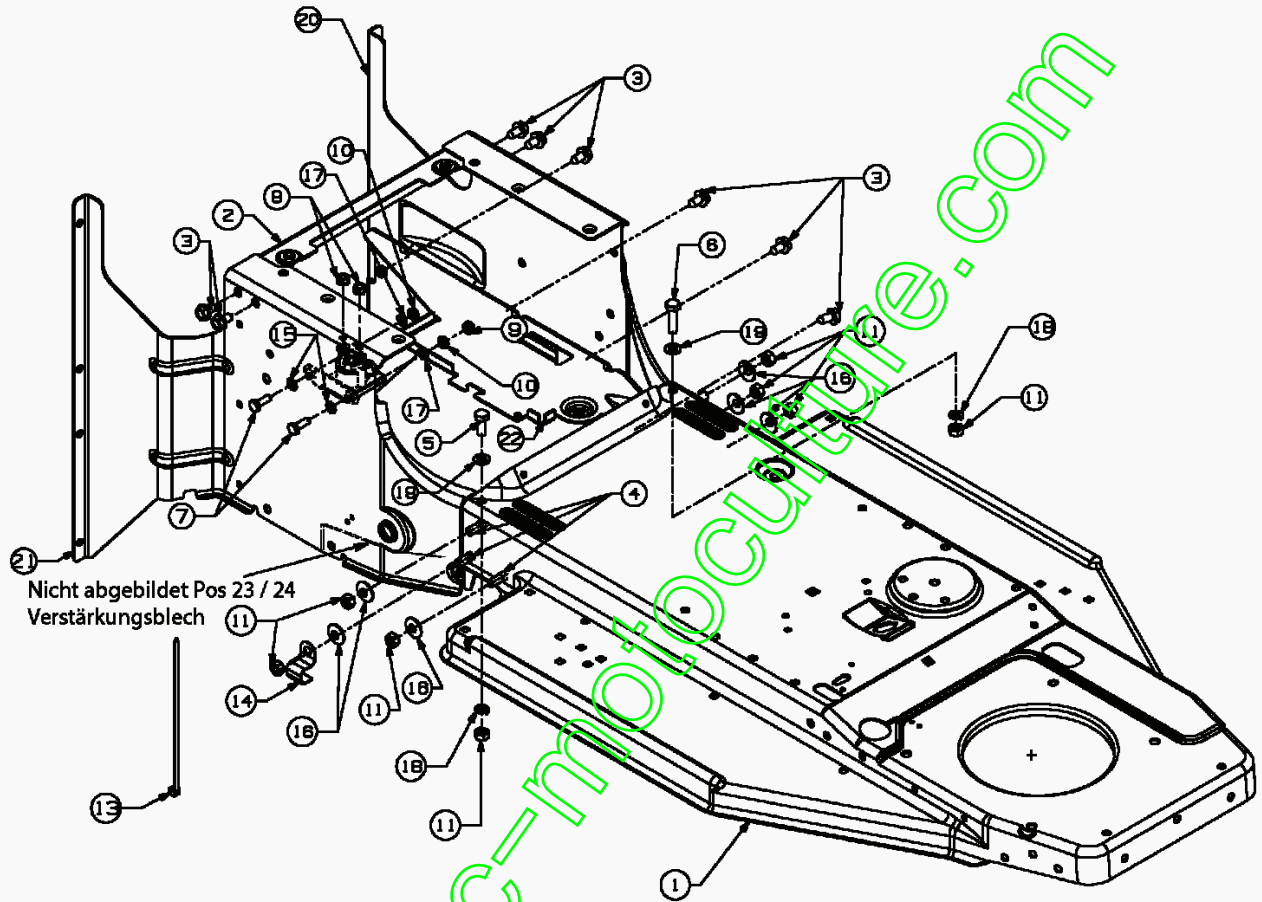


E3-02083A-018

Roues arrières

Position	Partnumber	Quantity	Designation	Standard	Additional
2	736-0242	2	RONDELLE	FINIS:701-01001	
3	734-0592	2	ROUE COMPL 18X6.50-8 ST	734-0592-0911/912/674/662	
4	710-0627	2	VIS	FINISH:701-01000	

www.emc-motoculture.com



E3-02095A-01

Chassis

Position	Partnumber	Quantity	Designation	Standard	Additional
1	17588G	1			
2	683-0287	1	SUPPORT ARRIERE	(SCHWEISSEN BEI LIEFERANT)	
3	710-0604A	8	VIS	FINISH:MTD SPEC-701-01002	
4	710-1682	6	VIS HEXAGONALE DIN 933	FINISH:SPEC-100015 21.1441.72	
5	710-1681	1	VIS HEXAGONALE DIN 933	MTD SPEC-100015 21.1441.70	
6	710-1683	1	VIS	FINISH:MTD701-01001 21.1441.74	
7	710-3015	2	VIS:1/4-20:1.75:GR5:STD	FINISH:701-01000	
8	712-0271	2	ECROU 1/4-20"+ DISQUE DENTÉ	FINISH:701-010015	
9	712-0291	1	ECROU EX AF-43013	FINISH:701-01000	
10	712-0298	2	ECROU EX AF-43015	FINISH:MTD SPEC 701-01000	
11	712-0690	8	ECROU	FINISH:MTD701-01000 24.1421.18	
13	725-0157	1	COLLIER CABLE 3/16X.05x7.4	PB-Nr. 5652 schwarz	
14	726-0354	1	SUPPORT FUSEAU	400er SREIE	
15	736-0222		RONDELLE	FINISH:701-01001	
16	736-0242	6	RONDELLE	FINIS:701-01001	
17	736-0329	2	RONDELLE 1/4"	FINISH:701-01001 24.8195.16	
18	736-0649	2	RESSORT RONDELLE DIN 127	FINISH:SPEC-100015 24.8195.18	
19	736-0700	2	RONDELLE	MTD SPEC-100015 24.6481.18	
20	783-0818A	1	CARTER GAUCHE		
21	783-0819	1	CARTER DROITE		
22	783-1073	1	CADRE ARRIERE	ERIE /0637	
23	783-0997	1	VERSTÄRKUNG RECHTS SEITENTEIL	HECKKRAHMEN E-DECK,HYD A+H-DECK	
24	783-0998	1	VERSTÄRKUNG LINKS SEITENTEIL	HECKKRAHMEN E-DECK,HYD A+H-DECK	

www.emc-motoculture.com