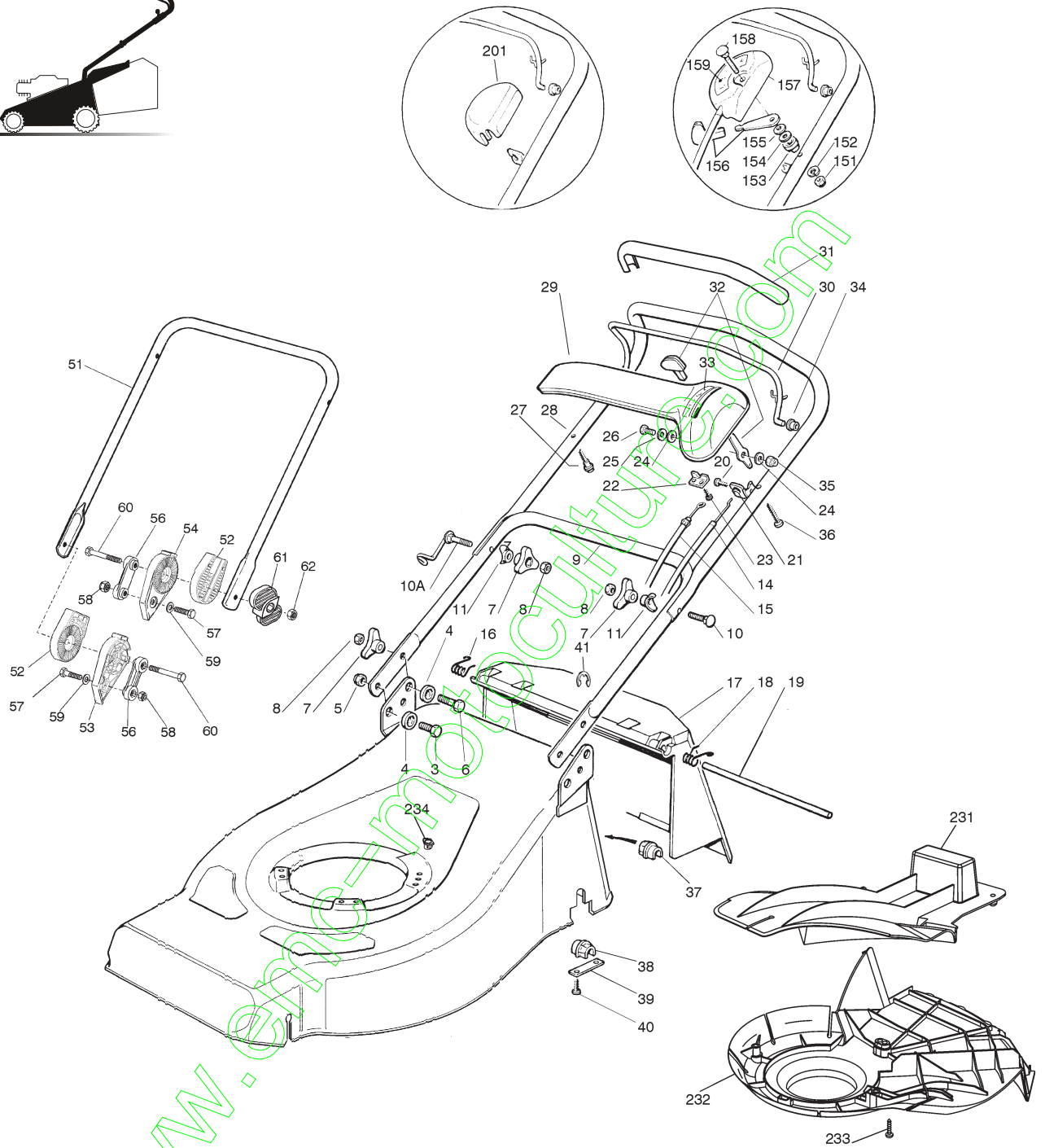


01D_RL434



01T.034

| Pos. | Code | Q.ty | Descrizione | Description | Description | Beschreibung | Remarks |
|------|------------|------|----------------|-------------|---------------|----------------|----------|
| 1 | 81001009/0 | 1 | CHASSIS GIALLO | DECK YELLOW | CHÂSSIS JAUNE | GEHÄUSE GELBES | (RL 434) |
| - | 81001026/0 | 1 | CHASSIS ROSSO | DECK RED | CHÂSSIS ROUGE | GEHÄUSE ROTES | (RL 434) |
| - | 81001515/0 | 1 | CHASSIS VERDE | DECK GREEN | CHÂSSIS VERT | GEHÄUSE GRÜNES | (RL 434) |
| - | 81001011/0 | 1 | CHASSIS GIALLO | DECK YELLOW | CHÂSSIS JAUNE | GEHÄUSE GELBES | (RL 484) |
| - | 81001028/0 | 1 | CHASSIS ROSSO | DECK RED | CHÂSSIS ROUGE | GEHÄUSE ROTES | (RL 484) |
| - | 81001516/0 | 1 | CHASSIS VERDE | DECK GREEN | CHÂSSIS VERT | GEHÄUSE GRÜNES | (RL 484) |
| - | 81001726/2 | 1 | CHASSIS ROSSO | DECK RED | CHÂSSIS ROUGE | GEHÄUSE ROTES | (RL 534) |
| - | 81001727/2 | 1 | CHASSIS GIALLO | DECK YELLOW | CHÂSSIS JAUNE | GEHÄUSE GELBES | (RL 534) |
| - | 81001728/2 | 1 | CHASSIS VERDE | DECK GREEN | CHÂSSIS VERT | GEHÄUSE GRÜNES | (RL 534) |
| 3 | 12792610/0 | 2 | VITE | SCREW | VIS | SCHRAUBE | |
| 4 | 22041955/0 | 4 | BUSSOLA | BUSH | DOUILLE | BUCHSE | |

| Pos. | Code | Q.ty | Descrizione | Description | Description | Beschreibung | Remarks |
|------|------------|------|---------------------------|---------------------------|------------------------------|----------------------|---------------------------------------|
| 5 | 12155000/0 | 2 | DADO | NUT | ECROU | MUTTER | |
| 6 | 12793700/0 | 2 | VITE | SCREW | VIS | SCHRAUBE | |
| 7 | 22399900/0 | 4 | MANOPOLINA | KNOB | POIGNÉE | GRIFF | |
| 8 | 12293200/0 | 4 | DADO | NUT | ECROU | MUTTER | |
| 9 | 81006512/0 | 1 | MANICO, PARTE INF | HANDLE, LOWER PART | MANCHERON, PARTIE INFERIEURE | HOLM, UNTERTEIL | |
| 10 | 12819201/0 | 1 | VITE | SCREW | VIS | SCHRAUBE | |
| 10A | 81003801/0 | 1 | MOLLA GUIDA | SPRING | RESSORT | FEDER | |
| 11 | 22680006/1 | 2 | RONDELLA | WASHER | RONDELLE | SCHEIBE | |
| 12 | 12155000/0 | 0/1 | DADO | NUT | ECROU | MUTTER | |
| - | 12293201/0 | 3/2 | DADO | NUT | ECROU | MUTTER | |
| 13 | 12792610/0 | 2 | VITE | SCREW | VIS | SCHRAUBE | |
| 14 | 81007160/0 | 1 | CAVO ACCELERATORE | CABLE, TROTTLER | CABLE, ACCELERATEUR | KABEL, BESCHLEUNIGER | |
| 15 | 81000643/0 | 1 | CAVO FRENO MOTORE | CABLE, THREAD MOTOR BRAKE | CABLE FREIN MOTEUR | KABEL, MOTORBREMSE | (B&S CLASSIC/SPRINT/LS RL 534) |
| - | 81000625/0 | 1 | CAVO FRENO MOTORE | CABLE, THREAD MOTOR BRAKE | CABLE FREIN MOTEUR | KABEL, MOTORBREMSE | (B&S CLESSIC/SPRINT LS RL 434/RL 484) |
| - | 81000633/0 | 1 | CAVO FRENO MOTORE | CABLE, THREAD MOTOR BRAKE | CABLE FREIN MOTEUR | KABEL, MOTORBREMSE | (B&S QUANTUM RL 434) |
| - | 81000631/0 | 1 | CAVO FRENO MOTORE | CABLE, THREAD MOTOR BRAKE | CABLE FREIN MOTEUR | KABEL, MOTORBREMSE | (B&S QUANTUM/ES 40 RL 484) |
| - | 81000642/0 | 1 | CAVO FRENO MOTORE | CABLE, THREAD MOTOR BRAKE | CABLE FREIN MOTEUR | KABEL, MOTORBREMSE | (B&S QUANTUM/ES 40 RL 534) |
| - | 81000641/0 | 1 | CAVO FRENO MOTORE | CABLE, THREAD MOTOR BRAKE | CABLE FREIN MOTEUR | KABEL, MOTORBREMSE | (HONDA GCV 135/160 RL 484) |
| - | 81000640/0 | 1 | CAVO FRENO MOTORE | CABLE, THREAD MOTOR BRAKE | CABLE FREIN MOTEUR | KABEL, MOTORBREMSE | (HONDA GCV 135/160 RL 534) |
| - | 81000629/1 | 1 | CAVO FRENO MOTORE | CABLE, THREAD MOTOR BRAKE | CABLE FREIN MOTEUR | KABEL, MOTORBREMSE | (TECUMSEH RL 434-RL 484) |
| - | 81000644/0 | 1 | CAVO FRENO MOTORE | CABLE, THREAD MOTOR BRAKE | CABLE FREIN MOTEUR | KABEL, MOTORBREMSE | (TECUMSEH RL 534) |
| 16 | 22450410/1 | 1 | MOLLA DX | R SPRING | RESSORT D | RECHTE FEDER | |
| 17 | 22600028/4 | 1 | PARASASSI | STONE-GUARD | PARE-PIERRES | PRALLBLECH | |
| 18 | 22450420/1 | 1 | MOLLA SX | L SPRING | RESSORT G | LINKE FEDER | |
| 19 | 22517906/1 | 1 | PERNO | PIN | PIVOT | BOLZEN | |
| 20 | 12728518/0 | 1 | VITE | SCREW | VIS | SCHRAUBE | |
| 21 | 22806612/0 | 1 | SUPPORTO | SUPPORT | SUPPORT | HALTER | |
| 22 | 22981467/0 | 1 | PIASTRINA | PLATE | PLAQUETTE | PLATTE | |
| 23 | 12735105/0 | 2 | VITE | SCREW | VIS | SCHRAUBE | |
| 24 | 12523040/0 | 2 | RONDELLA | WASHER | RONDELLE | SCHEIBE | |
| 25 | 12530060/0 | 1 | RONDELLA ELASTICA | ELASTIC WASHER | RONDELLE ELASTIQUE | ELASTISCHE SCHEIBE | |
| 26 | 12791500/0 | 1 | VITE | SCREW | VIS | SCHRAUBE | |
| 27 | 22943006/0 | 1 | VITE | SCREW | VIS | SCHRAUBE | |
| 28 | 81007018/1 | 1 | MANICO, PARTE SUP | HANDLE, UPPER PART | MANCHERON, PARTIE SUPERIEURE | HOLM, OBERTEIL | |
| 29 | 22120152/0 | 1 | CRUSCOTTO GIALLO | DASH BOARD YELLOW | CONSOLE JAUNE | KONSOLE GELBE | |
| - | 22120154/0 | 1 | CRUSCOTTO ROSSO | DASH BOARD RED | CONSOLE ROUGE | KONSOLE ROTE | |
| - | 22120158/0 | 1 | CRUSCOTTO NERO | DASH BOARD BLACK | CONSOLE NOIRE | KONSOLE SCHWARZE | |
| 30 | 81003291/2 | 1 | LEVA FRENO MOTORE | LEVER, MOTOR BRAKE | LEVIER FREIN MOTEUR | HEBEL, MOTORBREMSE | |
| 31 | 22291050/0 | 1 | IMPUGNATURA MANICO NERA | HANDGRIP BLACK | POIGNÉE NOIRE | HANDGRIFF SCHWARZER | |
| - | 22291051/0 | 1 | IMPUGNATURA MANICO ROSSA | HANDGRIP RED | POIGNÉE ROUGE | HANDGRIFF RÖTER | |
| - | 22291052/0 | 1 | IMPUGNATURA MANICO GIALLA | HANDGRIP YELLOW | POIGNÉE JAUNE | HANDGRIFF GELBER | |
| 32 | 81007280/2 | 1 | LEVA, ACCELERATORE | LEVER, THROTTLE | LEVIER, ACCELERATEUR | HEBEL, BESHLEUNIGER | |
| 33 | 14356744/0 | 1 | ETICHETTA | LABEL | ETIQUETTE | ETIKETTE | (B&S) |
| - | 14356743/0 | 1 | ETICHETTA | LABEL | ETIQUETTE | ETIKETTE | (TECUMSEH - HONDA) |
| 34 | 22041966/0 | 2 | BUSSOLA | BUSH | DOUILLE | BUCHSE | |
| 35 | 12154510/0 | 1 | DADO | NUT | ECROU | MUTTER | |
| 36 | 12728460/0 | 1 | VITE | SCREW | VIS | SCHRAUBE | |

67

01T.034

| Pos. | Code | Q.ty | Descrizione | Description | Description | Beschreibung | Remarks |
|------|------------|------|-----------------------------|---------------------------|----------------------------|-------------------------|----------|
| 37 | 22038402/0 | 1 | BRONZINA DX | R BUSH | DOUILLE D | RECHTE BUCHSE | (RL 534) |
| 38 | 22038403/0 | 1 | BRONZINA SX | L BUSH | DOUILLE G | LINKE BUCHSE | (RL 534) |
| 39 | 22545142/0 | 2 | PIASTRINA | PLATE | PLAQUETTE | PLATTE | (RL 534) |
| 40 | 12731350/0 | 4 | VITE | SCREW | VIS | SCHRAUBE | (RL 534) |
| 41 | 12000930/0 | 1 | ANELLO ELASTICO | SNAP RING | ANNEAU RESSORT | SPRENGRING | |
| — | 81008609/0 | 1 | DOTAZIONE VITERIA CRUSCOTTO | OUTFIT, DASH-BOARD SCREWS | DOTATION VISSERIE CONSOLLE | SATZ, KONSOLE SCHRAUBEN | |
| — | 81008614/2 | 1 | DOTAZIONE VITERIA | OUTFIT, SCREWS | DOTATION VISSERIE | SATZ, SCHRAUBEN | |

VARIANTE REGOLAZIONE MANICO - HANDLE ADJUSTMENT MODIFICATION - MODIFICATION REGLAGE POIGNEE - ÄNDERUNG GRIFFENSTEEL

01T.004

| Pos. | Code | Q.ty | Descrizione | Description | Description | Beschreibung | Remarks |
|------|------------|------|---------------------|---------------------|------------------------------|------------------|---------|
| 51 | 81006510/0 | 1 | MANICO, PARTE INF | HANDLE, LOWER PART | MANCHERON, PARTIE INFERIEURE | HOLM, UNTERTEIL | |
| 52 | 22785081/0 | 2 | SUPPORTO ESTERNO | SUPPORT, EXTERNAL | SUPPORT EXTERNE | HALTER, AUßERE | |
| 53 | 22785082/0 | 1 | SUPPORTO INTERNO DX | SUPPORT, R INTERNAL | SUPPORT INTERNE D | HALTER, INNERE R | |
| 54 | 22785083/1 | 1 | SUPPORTO INTERNO SX | SUPPORT, L INTERNAL | SUPPORT INTERNE G | HALTER, INNERE L | |
| 56 | 22551575/0 | 2 | PIASTRINA INTERNA | PLATE, INSIDE | PLAQUETTE INTERNE | PLATTE, INNERE | |
| 57 | 12793701/0 | 2 | VITE | SCREW | VIS | SCHRAUBE | |
| 58 | 12155000/0 | 2 | DADO | NUT | ECROU | MUTTER | |
| 59 | 12521350/0 | 2 | RONDELLA | WASHER | RONDELLE | SCHEIBE | |
| 60 | 12691810/0 | 2 | VITE | SCREW | VIS | SCHRAUBE | |
| 61 | 22399803/0 | 2 | MANOPOLINA | KNOB | POIGNEE | GRIFF | |
| 62 | 12293202/0 | 2 | DADO | NUT | ECROU | MUTTER | |
| — | 81008623/0 | 1 | DOTAZIONE VITERIA | OUTFIT, SCREWS | DOTATION VISSERIE | SATZ, SCHRAUBEN | |

VARIANTE ACCELERATORE - THROTTLE MODIFICATION - MODIFICATION COMMANDE D'ACCELERATION - ÄNDERUNGEN AUF GASHEBEL

01T.017

| Pos. | Code | Q.ty | Descrizione | Description | Description | Beschreibung | Remarks |
|------|------------|------|--------------------|-----------------|----------------------|----------------------|------------------|
| 151 | 12291000/0 | 1 | DADO | NUT | ECROU | MUTTER | |
| 152 | 12581500/0 | 1 | GROWER | GROWER | GROWER | FEDERRING | |
| 153 | 22171005/0 | 1 | DISTANZIALE | SPACER | ENTRETOISE | DISTANZRING | |
| 154 | 12521360/0 | 1 | RONDELLA | WASHER | RONDELLE | SCHEIBE | |
| 155 | 12508100/0 | 1 | RONDELLA ELASTICA | SPRING WASHER | RONDELLE ELASTIQUE | ELASTISCHE SCHEIBE | |
| 156 | 81007279/0 | 1 | LEVA, ACCELERATORE | LEVER, THROTTLE | LEVIER, ACCELERATEUR | HEBEL, BESCHLEUNIGER | |
| 157 | 81007080/0 | 1 | CAVO ACCELERATORE | CABLE, TROTTLE | CABLE, ACCELERATEUR | KABE, BESCHLEUNIGER | |
| 158 | 12815000/0 | 1 | VITE | SCREW | VIS | SCHRAUBE | |
| 159 | 14356703/0 | 1 | ETICHETTA | LABEL | ETIQUETTE | ETIKETTE | (B&S) |
| - | 14356702/0 | 1 | ETICHETTA | LABEL | ETIQUETTE | ETIKETTE | (TECUMSEH-HONDA) |

VARIANTE REGIME FISSO - FIXED SPEED MODIFICATION - MODIFICATION POUR MODÈLE À REGIME FIXE - ÄNDERUNGEN FÜR MODELLE MIT FESTEN DRENZ

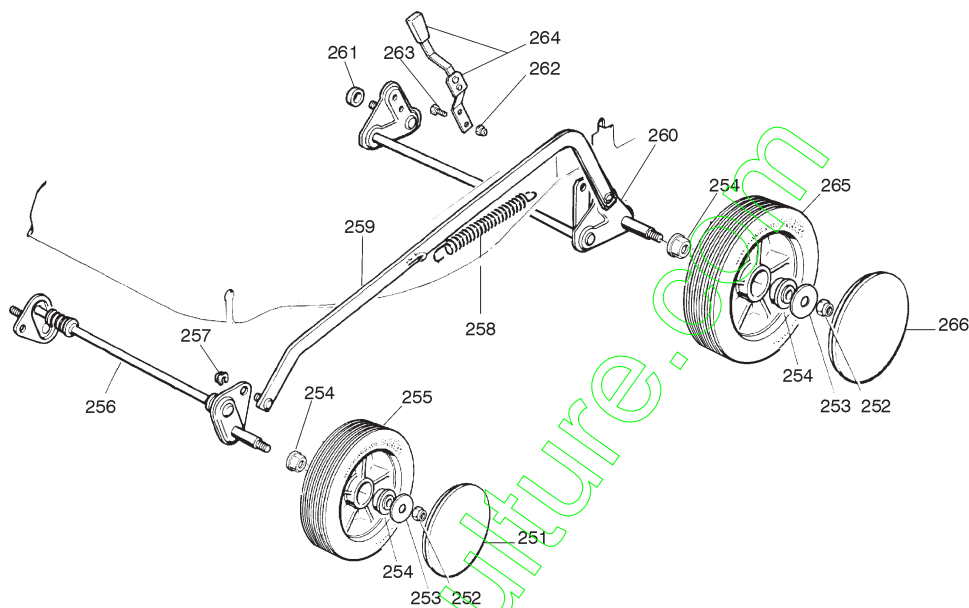
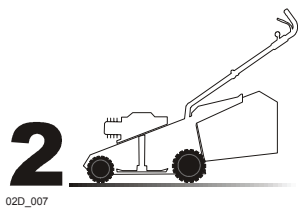
01T.006

| Pos. | Code | Q.ty | Descrizione | Description | Description | Beschreibung | Remarks |
|------|------------|------|-------------|-------------|-------------|--------------|---------|
| 201 | 22601000/0 | 1 | PROTEZIONE | PROTECTION | PROTECTION | SCHUTZ | |

VARIANTE MULCHING - MULCHING MODIFICATION - MODIFICATION MULCHING - ÄNDERUNGEN MULCHING

01T.034

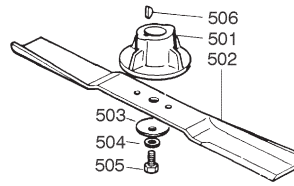
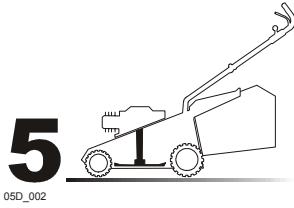
| Pos. | Code | Q.ty | Descrizione | Description | Description | Beschreibung | Remarks |
|------|------------|------|------------------|---------------|---------------------|---------------|----------|
| 231 | 22140222/0 | 1 | DEFLETTORE | DEFLECTOR | DEFLECTEUR | DEFLEKTOR | (RL 534) |
| 232 | 22060197/0 | 1 | CARTER | PROTECTION | PROTECTION | SCHUTZ | (RL 534) |
| 233 | 12728530/0 | 3 | VITE | SCREW | VIS | SCHRAUBE | (RL 534) |
| 234 | 22291150/0 | 1 | INSERTO IN GOMMA | RUBBER INSERT | INSERT DE GAOUTCHOU | GUMMI EINSATZ | (RL 534) |



02T.022

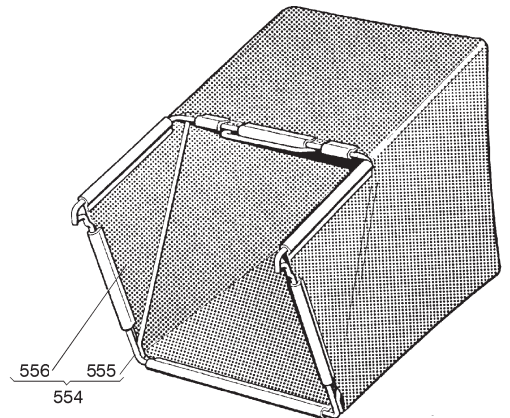
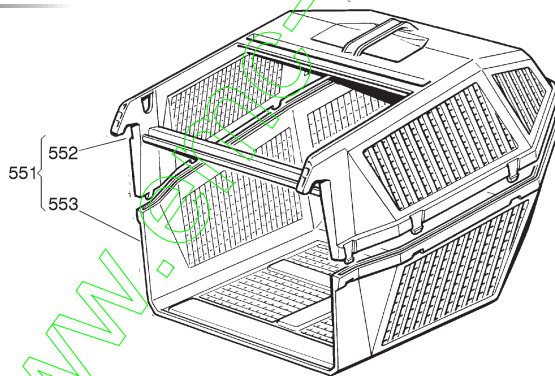
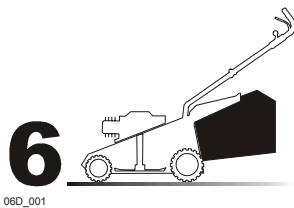
| Pos. | Code | Q.ty | Descrizione | Description | Description | Beschreibung | Remarks |
|------|------------|------|-----------------------------|--------------------------------|-------------------------------|-------------------------|-----------------|
| 251 | 22110262/0 | 2 | COPRIMOZZO BIANCO | HUB CAP WHITE | COUVRE-MOYEU BLANC | RADKAPPE WEISE | |
| - | 22110263/0 | 2 | COPRIMOZZO GIALLO | HUB CAP YELLOW | COUVRE-MOYEU JAUNE | RADKAPPE GELBE | |
| - | 22110264/0 | 2 | COPRIMOZZO ROSSO | HUB CAP RED | COUVRE-MOYEU ROUGE | RADKAPPE ROTE | |
| 252 | 12155000/0 | 2 | DADO | NUT | ECROU | MUTTER | |
| 253 | 12523060/0 | 2 | RONDELLA | WASHER | RONDELLE | SCHEIBE | |
| 254 | 22034508/0 | 8 | BUSSOLA | BUSH | DOUILLE | BUCHSE | |
| 255 | 81007326/0 | 2 | RUOTA Ø 170 | WHEEL Ø 170 | ROUE Ø 170 | RAD Ø 170 | |
| 256 | 81001248/0 | 1 | ASSE RUOTE ANTERIORE | AXLE, FRONT WHEELS | AXE ROUES AVANT | ACHSE, VORDERRAD | (RL 434) |
| - | 81001250/0 | 1 | ASSE RUOTE ANTERIORE | AXLE, FRONT WHEELS | AXE ROUES AVANT | ACHSE, VORDERRAD | (RL 484) |
| - | 81001278/0 | 1 | ASSE RUOTE POSTERIORE | AXLE, REAR WHEELS | AXE ROUES ARRIERE | ACHSE, HINTERRAD | (RL 534) |
| 257 | 12436050/0 | 2 | PIASTRINA | PLATE | PLAQUETTE | PLÄTTCHEN | |
| 258 | 22446180/0 | 1 | MOLLA | SPRING | RESSORT | FEDER | |
| 259 | 81001244/0 | 1 | ASTA COMANDO REGOL. ALTEZZA | ROD, HEIGHT ADJUSTMENT CONTROL | TIGE COMMANDE REGLAGE HAUTEUR | STANGE, HÖHEVERSTELLUNG | (RL 434) |
| - | 81001246/1 | 1 | ASTA COMANDO REGOL. ALTEZZA | ROD, HEIGHT ADJUSTMENT CONTROL | TIGE COMMANDE REGLAGE HAUTEUR | STANGE, HÖHEVERSTELLUNG | (RL 484) |
| - | 81001264/0 | 1 | ASTA COMANDO REGOL. ALTEZZA | ROD, HEIGHT ADJUSTMENT CONTROL | TIGE COMMANDE REGLAGE HAUTEUR | STANGE, HÖHEVERSTELLUNG | (RL 534) |
| 260 | 81001254/0 | 1 | ASSE RUOTE POSTERIORE | AXLE, REAR WHEELS | AXE ROUES ARRIERE | ACHSE, HINTERRAD | (RL 434/RL 484) |
| - | 81001278/0 | 1 | ASSE RUOTE POSTERIORE | AXLE, REAR WHEELS | AXE ROUES ARRIERE | ACHSE, HINTERRAD | (RL 534) |
| 261 | 22170800/0 | 1 | DISTANZIALE | SPACER | ENTRETOISE | DISTANZRING | |
| 262 | 12154320/0 | 2 | DADO | NUT | ECROU | MUTTER | |
| 263 | 12789000/0 | 2 | VITE | SCREW | VIS | SCHRAUBE | |
| 264 | 81003279/2 | 1 | LEVA REGOLAZIONE ALTEZZA | LEVER, HEIGHT ADJUSTMENT | LEVIER, REGLAGE HAUTEUR | HEBEL, HÖHEVERSTELLUNG | (RL 434/RL 484) |
| - | 81003283/1 | 1 | LEVA REGOLAZIONE ALTEZZA | LEVER, HEIGHT ADJUSTMENT | LEVIER, REGLAGE HAUTEUR | HEBEL, HÖHEVERSTELLUNG | (RL 534) |
| 265 | 81007328/0 | 2 | RUOTA Ø 210 | WHEEL Ø 210 | ROUE Ø 210 | RAD Ø 210 | |
| 266 | 22110265/0 | 2 | COPRIMOZZO BIANCO | HUB CAP WHITE | COUVRE-MOYEU BLANC | RADKAPPE WEISE | |
| - | 22110266/0 | 2 | COPRIMOZZO GIALLO | HUB CAP YELLOW | COUVRE-MOYEU JAUNE | RADKAPPE GELBE | |
| - | 22110267/0 | 2 | COPRIMOZZO ROSSO | HUB CAP RED | COUVRE-MOYEU ROUGE | RADKAPPE ROTE | |

67



05T.011

| Pos. | Code | Q.ty | Descrizione | Description | Description | Beschreibung | Remarks |
|------|------------|------|-------------------|----------------|--------------------|--------------------|---------|
| 501 | 22463012/1 | 1 | MOZZO | HUB | MOYEU | HALTER | |
| 502 | 81004341/3 | 1 | COLTELLO STANDARD | BLADE STANDARD | LAME STANDARD | MESSER STANDARD | (41 cm) |
| - | 81004396/0 | 1 | COLTELLO ALETTATO | BLADE WINGED | LAME AILETTÉE | MESSER FLÜGEL | (41 cm) |
| - | 81004346/3 | 1 | COLTELLO STANDARD | BLADE STANDARD | LAME STANDARD | MESSER STANDARD | (46 cm) |
| - | 81004397/0 | 1 | COLTELLO ALETTATO | BLADE WINGED | LAME AILETTÉE | MESSER FLÜGEL | (46 cm) |
| - | 81004381/1 | 1 | COLTELLO STANDARD | BLADE STANDARD | LAME STANDARD | MESSER STANDARD | (51 cm) |
| - | 81004398/0 | 1 | COLTELLO ALETTATO | BLADE WINGED | LAME AILETTÉE | MESSER FLÜGEL | (51 cm) |
| 503 | 22160400/0 | 1 | DISCO ELASTICO | ELASTIC WASHER | RONDELLE ELASTIQUE | ELASTISCHE SCHEIBE | |
| 504 | 12523080/0 | 1 | RONDELLA | WASHER | RONDELLE | SCHEIBE | |
| 505 | 12735698/0 | 1 | VITE | SCREW | VIS | SCHRAUBE | |
| 506 | 12139100/0 | 1 | LINGUETTA | FEATHER | CLAVETTE | KEIL | |



06T.001

| Pos. | Code | Q.ty | Descrizione | Description | Description | Beschreibung | Remarks |
|------|------------|------|-------------------------|--------------------------------|------------------------|-----------------|---------|
| 551 | 98005000/1 | 1 | SACCO, COMPLETO | GRASSCATCHER, COMPLETE | SAC, COMPLETE | SACK, KOMPLETTE | |
| 552 | 22486076/0 | 1 | SACCO, PARTE SUP | GRASS-BOX, UPPER PART | SAC, PARTIE SUPERIEURE | KORB, OBERTEIL | |
| 553 | 22486077/0 | 1 | SACCO, PARTE INF | GRASS-BOX, LOWER PART | SAC, PARTIE INFERIEURE | KORB, UNTERTEIL | |
| 554 | 98004000/0 | 1 | SACCO IN TELA, COMPLETO | GRASSCATCHER, CANVASS COMPLETE | SAC EN TOILE, COMPLETE | SACK, KOMPLETTE | |
| 555 | 81006408/0 | 1 | TELAIO SACCO | CHASSIS BOX | CHÂSSIS BAC | RAHMEN SACK | |
| 556 | 81002105/2 | 1 | SACCO, TELA | BOX, FABRIC | SAC, TOILE | SACK, TUCK | |