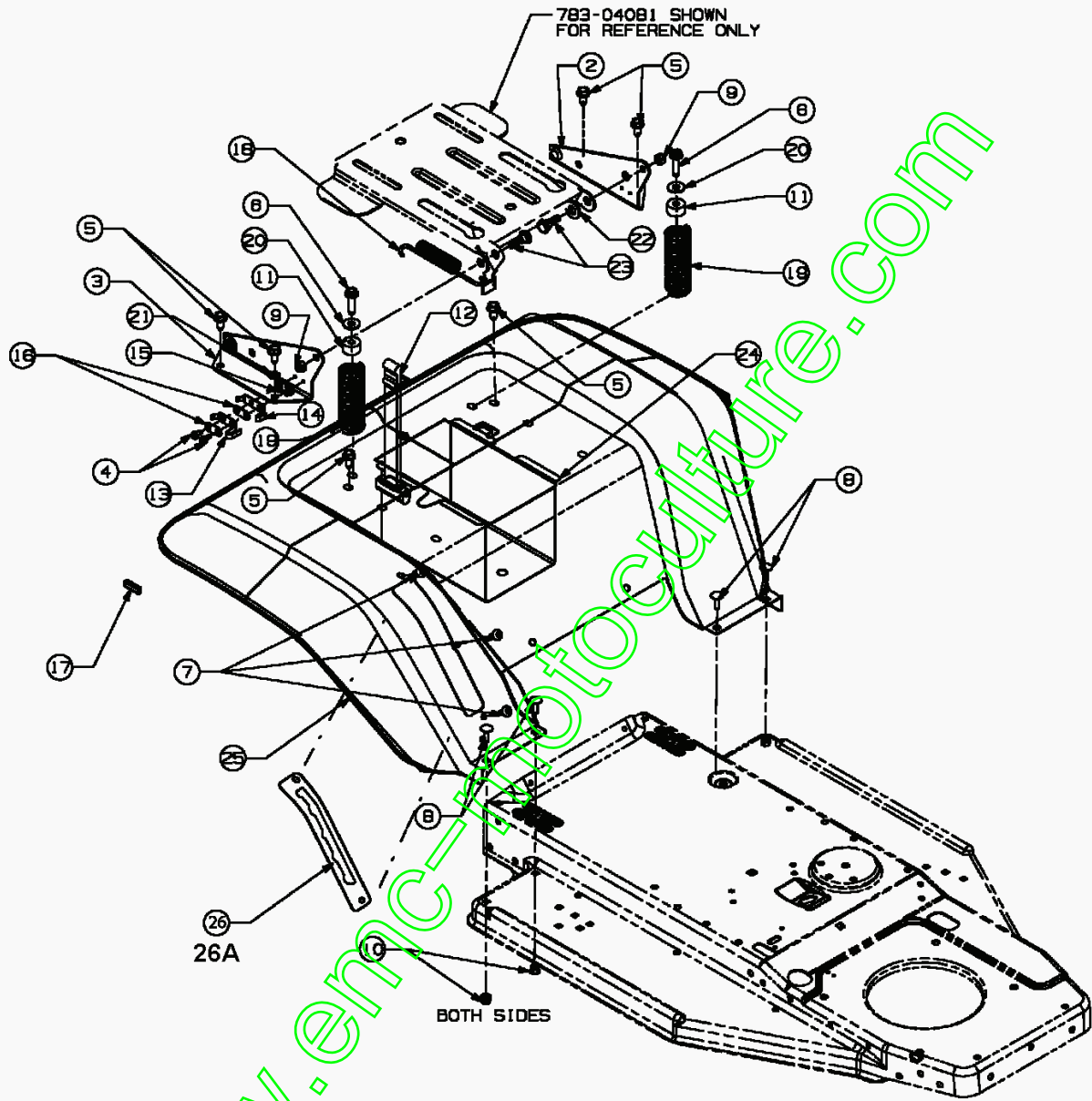


E3-02094A-01

Chassis A/B/C/D/F-Deck

Position	Partnumber	Quantity	Designation	Standard	Additional
1	16654A	1	SUPPORT TRANSMISSION	16654A-0637	
2	16659	2	RENFORT	16659-0637	
3	17588G637	1	SCHWARZ LACKIERT	SCHWARZ LACKIERT	
4	710-0726	4	VIS	FINISH:701-01002	
5	710-1012	6	VIS	RD HD FINISH:PHOS & OIL	
6	710-1681	2	VIS HEXAGONALE DIN 933	MTD SPEC-100015 21.1441.70	
7	710-1739	1	SECHSKANTSCHRAUBE DIN 931-8.8	M6x30 Zn 5gIcB 21.1443.52	
8	710-3015	2	VIS	FINISH:701-01000	
9	712-0271	2	ECROU	FINISH:701-010015	
10	712-0324	2	ECROU	FINISH:701-01000	
11	712-0689	1	ECROU	MTD SPEC-100015 24.1421.14	
12	712-0691	1	ECROU	MTD SPEC-100015 24.1426.14	
13	712-0692	2	ECROU	MTD SPEC-100015 24.1426.18	
14	712-3057	6	ECROU	FINISH:701-01000	
15	725-0157	1	COLLIER CABLE 3/16X.05x7.4	PB-Nr. 5652 schwarz	
16	736-0242	6	RONDELLE	FINIS:701-01001	
17	783-0180B637	1	CADRE ARRIERE	SCHWARZ LACKIERT	
17A	783-0180B665	1	RAHMEN HINTEN	YARDMAN GREEN	

www.emc-motoculture.com

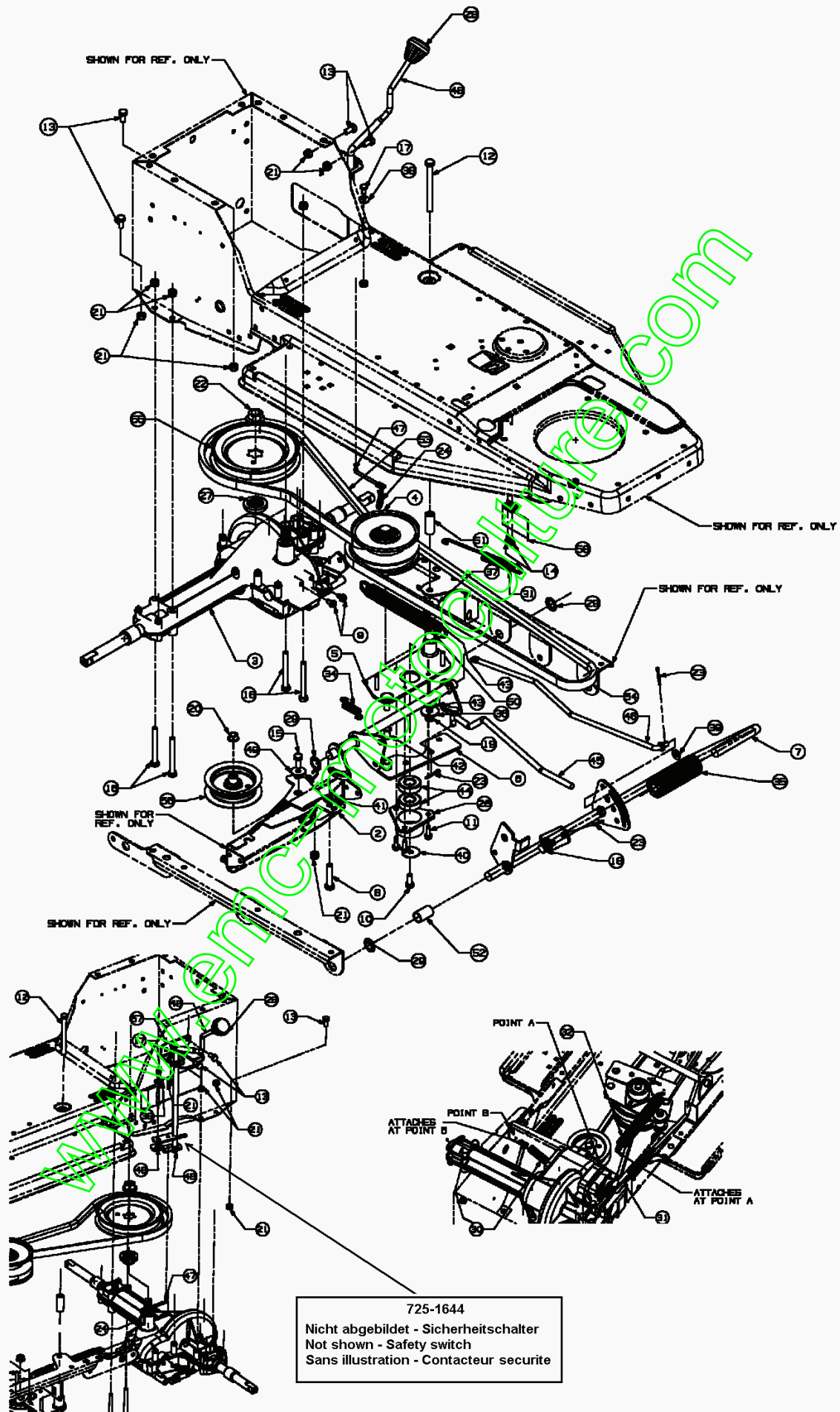


E3-02096A-01

Support de siège

Position	Partnumber	Quantity	Designation	Standard	Additional
1	17239C	1	KONTAKTHEBEL	FINISH:MTD STD 701-01002	
2	17703A	1	EQUERRE FIXATION GAUCHE	FINISH:LACKIERT	
3	17704	1	SUPPORT DE FIXATION DROIT	17704-0637	
4	710-0456	2	VIS	FINISH:701-01002	
5	710-0726	8	VIS	FINISH:701-01002	
6	710-0817	2	VIS	FINISH:MTD SPEC-701-01002	
7	710-1017	3	VIS	FINISH:MTD SPEC-100016	
8	710-1687	4	ECROU PLAT 4KT-ANS DIN 603	22.3419.12	
9	712-0429	2	ECROU	FINISH:701-01000	
10	712-0713	4	ECROU	DIN 6926 MTD SPEC-100015	
11	722-0160	2	RONDELLE ELASTOMER	722-0160	
12	723-0444	1	SANGLE BATTERIE	FINISH:SCHWARZ	
13	725-1303	1	EPINGLE	FÜR SI.-SCHALTER SITZ	
14	725-1439	1	SECURITE SIEGE	FÜR SI.-SCHALTER SITZ	
15	726-0278	1	PLAQUE / ISOLATION	FINISH:NATUR ODER SCHWARZ	
16	726-0279	2	PLAQUE D ISOLATION	FINISH:NATUR ODER SCHWARZ	
17	731-0511	2	PROTECTION ANGLES	FINISH:SCHWARZ, SIEHE ZG.	
18	732-0581B	1	RESSORT	732-0581B	
19	732-0588	2	RESSORT	732-0588	
20	736-0159	2	RONDELLE .349 X 88X.06"	FINISH:701-01000	
21	736-0607	1	RONDELLE	FINISH:701-01001	
22	736-0696	1	RONDELLE	AD25 x ID12 X 3 (24.6484.25)	
23	738-0296	2	VIS	FINISH:701-01000	
24	783-0349	1	BOÎTE A BATTERIE	FINISH:LACKIERT SCHWARZ	
25	783-0354	1	JUPE ROUGE	400'96/783-0354-0638	
26	17553	1	SELECTEUR INDEX	VERZINKT	
26A	783-0384	1	PLAQUE DE COUPE	VERZINKT	

www.emc-motoculture.com



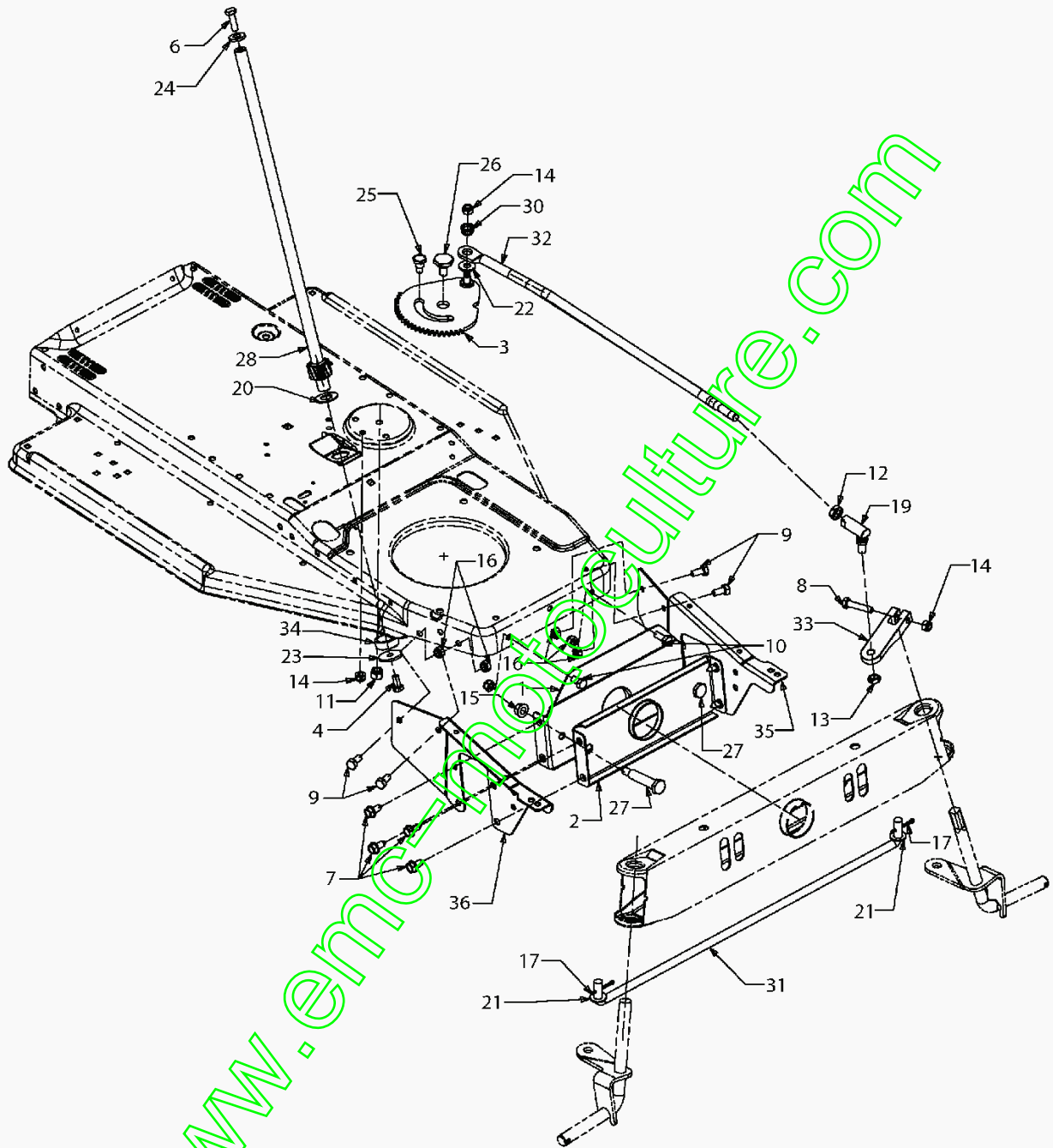
Traction

Position	Partnumber	Quantity	Designation	Standard	Additional
1	17178A	1	PLAQUE D AJUSTEMENT		
2	17694	1	SUPPORT	FINISH:SIEHE ZG.	
3	618-0166D	1	BOITE DE VITESSE AUTOPORTEE		
4	656-0059A	1	POULIE VARIATEUR	VARIO-FAHRANTRIEB 956-0059A	
5	683-04094	1	Support		
6	683-04100	1	SUPPORT		
7	683-04117637	1	KUPPLUNGSPEDAL VOLLST.	SCHWARZ LACKIERT	
8	710-0347	1	VIS	FINISH:701-01000	
9	710-0599	2	VIS IDEM A 710-1005	FINISH:701-01002	
10	710-0627	1	VIS	FINISH:701-01000	
11	710-0642	2	VIS	MTD SPEC-701-01002 910-0642	
12	710-0704	1	VIS	FINISH: PHOS & OIL SIEHE ZG.	
13	710-1376	4	VIS M8X16-8.8 DIN 933	Zn 5q1cB 21.1441.68	
14	710-1388	2	VIS TIN BZ 4,8x13 DI 7981	MTD SPEC-100015 22.6417.44	
15	710-1681	1	VIS HEXAGONALE DIN 933	MTD SPEC-100015 21.1441.70	
16	710-1685	4	VIS	M8X75-8.8 ZN5GL CB 21.1443.83	
17	710-3013	1	VIS	STD	
18	711-0198	1	AXE	711-0198	
19	712-0116	1	ECROU	NYLON FINISH:701-01000	
20	712-0431	1	ECROU STOP 3/8-16	FINISH:MTD SPEC-100015	
21	712-0692	9	ECROU	MTD SPEC-100015 24.1426.18	
22	712-0700	1	FINISH:701-01000 912-0700	FINISH:701-01000 912-0700	
23	714-0115	3	GOUPILLE	FINISH:SIEHE ZG.	
24	714-0209	1	FINISH:VERZINKT 914-0209	FINISH:VERZINKT 914-0209	
25	714-0507	1	EPINGLE	FINISH:701-01000	
26	718-04012	1	CAGE DE ROULEMENT	FINISH:ROSTSCHUTZ	
27	718-0758A	1	ENTRETOISE DE POULIE	VERZAHNUNG 918-0758A	
28	720-0232	1	POIGNEE	FINISH:SCHWARZ	
29	726-04028	3	KLEMMRING:5/8 DIA		
30	732-0384	1	RESSORT	732-0384	
31	732-0413	1	RESSORT	FINISH:PHOS & OIL	
32	732-04208	1	FINISH:SIEHE ZG.	FINISH:SIEHE ZG.	
33	732-0525	1	RESSORT	732-0525	
34	732-0568	1	RESSORT	732-0568	
35	735-0239	1	CAOUTCHOUC/PEDALE 4;0 LG	FINISH:SCHWARZ	
36	736-0133	1	RONDELLE .411X1.25X1.00	FINISH:701-01000	
37	736-0235	1	RONDELLE 3/8X1.26 X .172	FINISH:701-01000	
38	736-0270	1	RONDELLE 265 X 75 X 0.62"	FINISH:701-01001	
39	736-0275	1	RONDELLE 1.5/16	FINISH:701-01000	
40	736-0362	1	RONDELLE .320ID X 1.25 ODX .0	FINISH:701-01001	
41	736-3010	1	RONDELLE	FINISH:701-01001	
42	741-0419	1	SUPPORT DE BRIDE / DOUILLE	741-0419	
43	741-0495	2	SUP. DE BRIDE /DOUILLE 630 ID	741-0495 KUNSTSTOFF	
44	741-0600	2	ROULEMENT	741-0600/941-0600	
45	747-04213	1	FINISH:SIEHE ZG	FINISH:SIEHE ZG	
46	747-0593	1	TIGE DE FREIN	747-0593	
47	747-0685	1	LEVIER	747-0685	
48	747-0694A	1	LEVIER EX 747-0694	FINISH:VERZINKT	
49	748-0234	1	ENTRETOISE	FINISH:ROSTPREVENTION	
50	750-04215	1	MANCHON		
51	750-0703	1	ENTRETOISE 375IDX.625ODx1.54	750-0703	
52	750-0800	1	ENTRETOISE / DOUILLE 640IDX.760	750-0800	
53	754-04038	1	COURROIE VARIATEUR PONT	POLY	
54	754-04039	1	COURROIE MOTEUR VARIATEUR		
55	756-04095	1	POULIE DE PONT	FINISH:SIEHE ZG.	
56	756-0643A	1	ROULIE TENDEUR PLATE PLASTIQUE		
57	783-1016B	1	(VERZINKT AUS USA)	(VERZINKT AUS USA)	
58	783-1113A	1	HALTER SCHALTTRAGER		

Essieu avant

Position	Partnumber	Quantity	Designation	Standard	Additional
1	683-0002B	1			
2	683-04140	1	ACHSSCHENKEL KPLT.RE. 15X6	400er PAINT: SCHWARZ	
3	683-04141	1	ACHSSCHENKEL KPLT.LI. 15X6	400er SHORT SCHWEIßTEIL	
4	714-0470	2	EPINGLE EX AF-43010	FINISH: PHOS & OIL 470 32 32	
5	726-0214	1	BOUCHON COUVERCLE 5/8"	FINISH: SCHWARZ	
6	731-04057A	2	PALIER DE GRAISSAGE	LT5	
7	736-0187	2	RONDELLE .64X1.24X.06	FINISH: 701-01001	
8	736-0531A	2	DISQUE .635 X 1.00 X .181		
9	741-0487C	4	BAGUE	FINISH: BLACK	
10	750-0118	1	ENTRETOISE / DUILLE 632X.88X.9	750-0118	

www.emc-motoculture.com

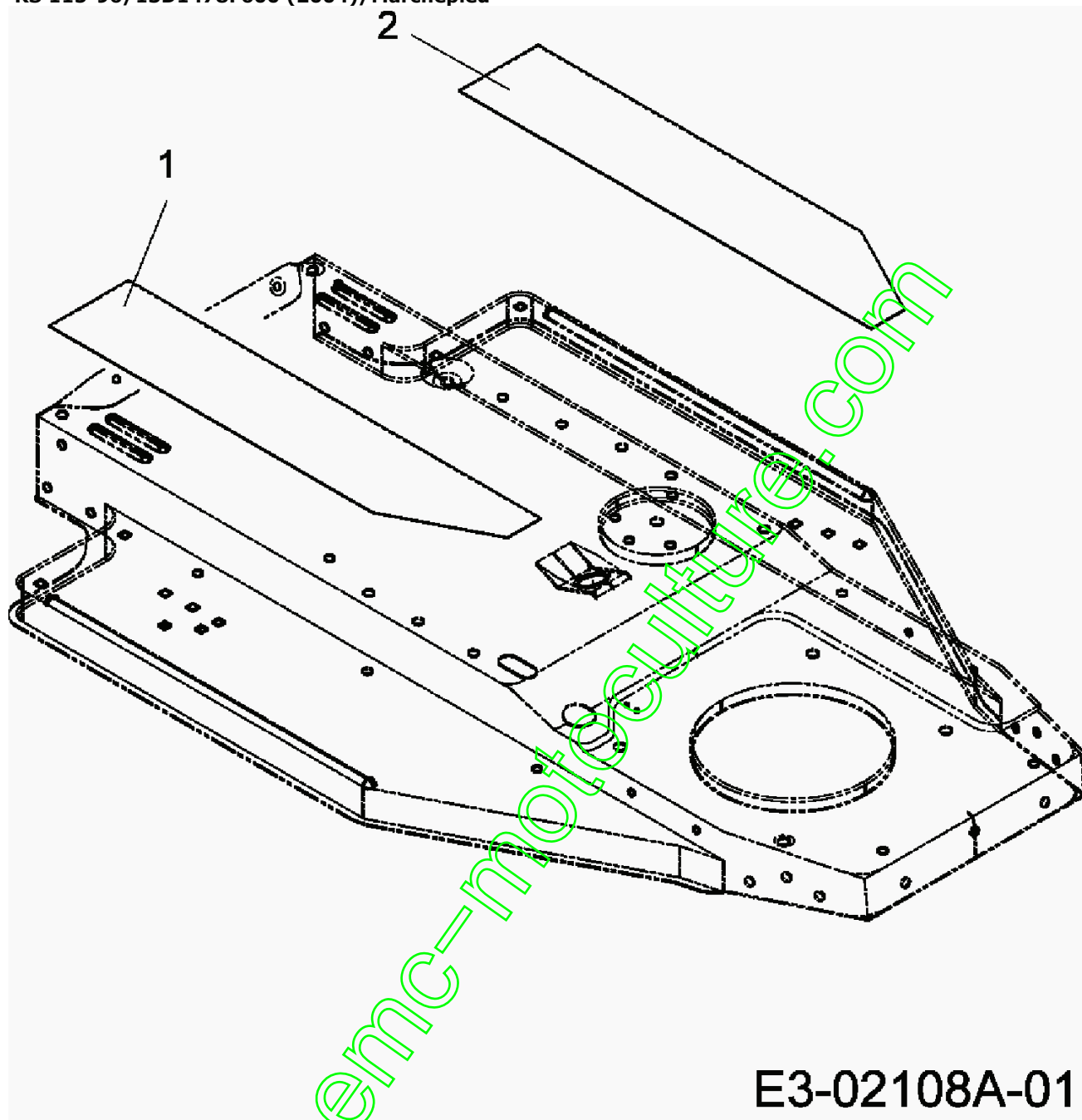


E3-02105A-01

Sys. Direction

Position	Partnumber	Quantity	Designation	Standard	Additional
1	17547	1	SUPPORT	17547	
2	17548	1	SUPPORT	17548 SCHWARZ GEPULVERT	
3	617-04010	1	LENKSEGMENT VOLLST. 400		
4	710-0538	1	VIS	FINISH:701-01000	
5	710-0602	1	BOULON	FINISH:MTD SPEC-701-01002	
6	710-0643	1	VIS	LOCTITE MICROVERKAPSELT	
7	710-0726	7	VIS	FINISH:701-01002	
8	710-0805	1	VIS	FINISH:701-01000	
9	710-1376	6	VIS M8X16-8.8 DIN 933	Zn 5gIcB 21.1441.68	
10	710-1681	2	VIS HEXAGONALE DIN 933	MTD SPEC-100015 21.1441.70	
11	712-0130	1	ECROU POLY STOP 3/8-16" GR 8	FINISH:701-01000	
12	712-0240	1	ECROU 7/16-20 : GR 2	FINISH:701-01000	
13	712-0262	1	ECROU	FINISH:701-01000	
14	712-0429	3	ECROU	FINISH:701-01000	
15	712-0431	2	ECROU STOP 3/8-16	FINISH:MTD SPEC-100015	
16	712-0692	6	ECROU	MTD SPEC-100015 24.1426.18	
17	714-0470	2	EPINGLE EX AF-43010	FINISH:PHOS & OIL 470 32 32	
19	723-0448A	1	ROTULE DE DIRECTION 7/16-20	FINISH:GELBVERZINKT	
20	736-0187	1	RONDELLE .64X1.24X.06	FINISH:701-01001	
21	736-0226	2	RONDELLE	FINISH:701-01000	
22	736-0262	1	RONDELLE	FINISH:701-01000	
23	736-0343	1	RONDELLE .330 ID X 1.25 X .12	FINISH:701-100015	
24	736-3004	1	RONDELLE	FINISH:701-01000	
25	738-0141	1	AXE		
26	738-0322	1	AXE	FINISH:VERZINKT SIEHE ZG.	
27	738-0527	2	BOULON	738-0527	
28	738-0937	1	ARBRE DE DIRECTION		
29	741-0225	1	BAGUE HEXAGONALE TEFLON 6 PANS	FINISH: SCHWARZ	
30	741-0475	1	BAGUE PLASTIQUE	741-0475/941-0475	
31	747-04008	1	TRINGLE DE DIRECTION	747-04008	
32	747-04182	1	FINISH: SIEHE ZG.	FINISH: SIEHE ZG.	
33	748-04014B	1	BIELLETTE DE DIRECTION	948-04014B	
34	750-0532	1	ENTRETOISE 980IDX1.250DX.0420		
35	783-0255B	1	ACHSAUFHÄNGUNG LINKS	783-0255B-0637	
36	783-0256B	1	ACHSAUFHÄNGUNG RECHTS	SCHWARZ GEPULVERT	

RS 115-96/13D1478F600 (2004)/Marchepied

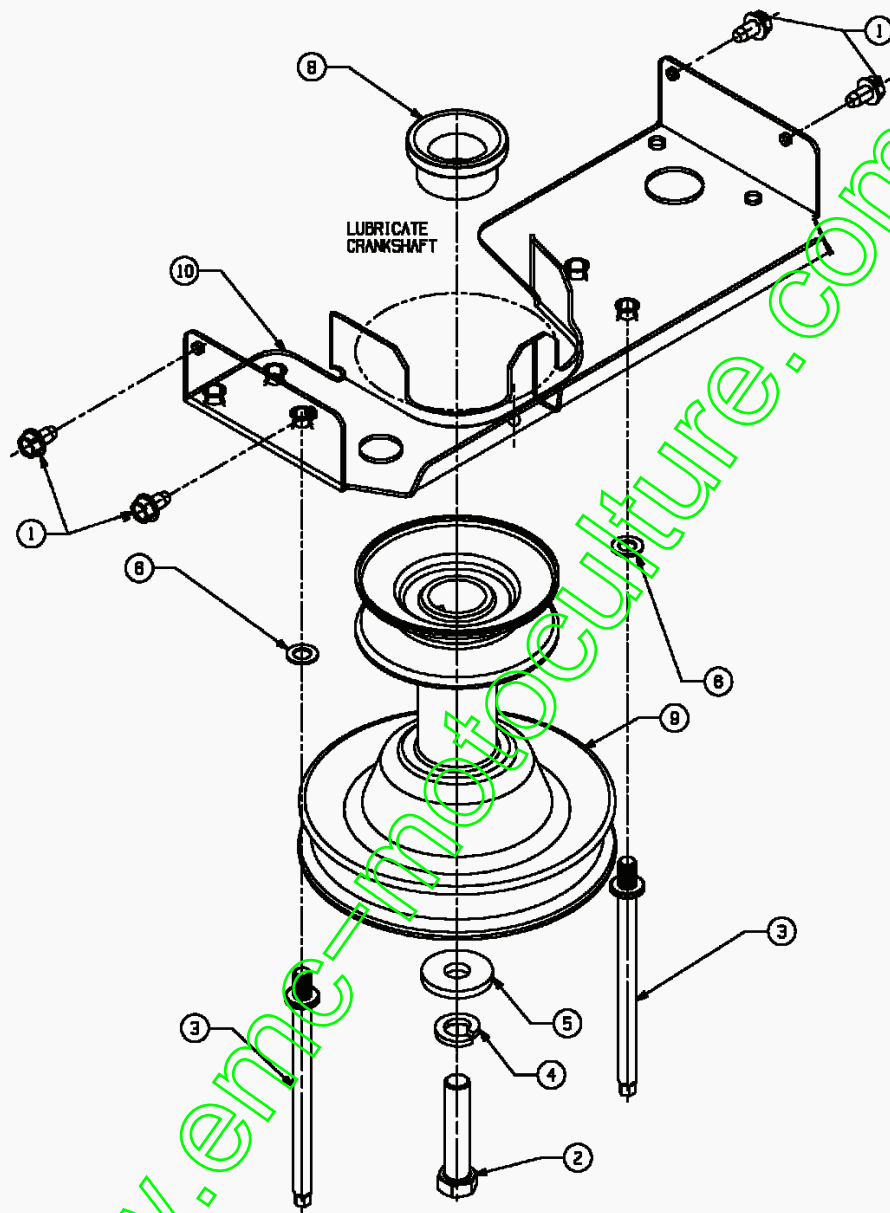


E3-02108A-01

Marchepied

Position	Partnumber	Quantity	Designation	Standard	Additional
1	723-0474	1	BANDE ANTI-DERAPANTE DR	Antirutschbelag A.Nr9339705050	
2	723-0475	1	REVETEMT MARCHP. GAUCH SS tro	Antirutschbelag ANr.9339605050	

www.emc-motoculture.com



E3-02110A-01

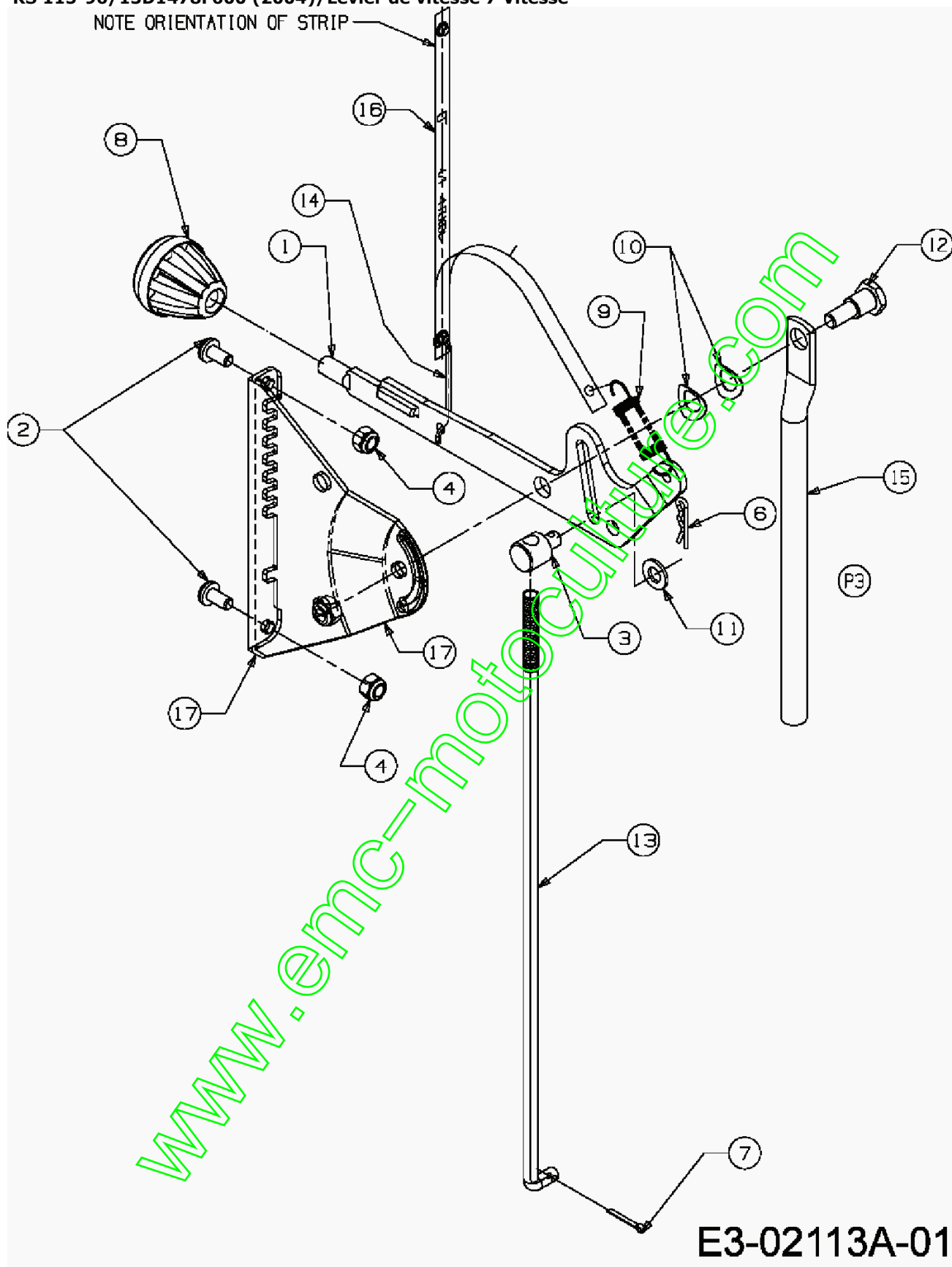
Poulie moteur

Position	Partnumber	Quantity	Designation	Standard	Additional
1	710-0599	4	VIS IDEM A 710-1005	FINISH:701-01002	
2	710-1002	1	VIS	FINISH:701-01000	
3	711-1239	2	KEILRIEMENFÜHRUNG:5/16 X 113mm	400er Serie:FINISH:PHOS & OIL	
4	736-0171	1	RONDELLE 7/16"	FINISH:701-01001	
5	736-0322	1	RONDELLE .450 X 1.250 X .164	936-0322 / FINISH:701-01001	
6	736-0708	2	DISQUE DE FIXATION DIN N	SCHNORR D 8 24.8190.18	
8	750-0956	1	ENTRETOISE 1,010x1.400x.825	750-0956	
9	756-1182A	1	POULIE DOUBLE MOTEUR	3.56 x 5.56 DIA TRANSMATIK	
10	783-0265A	1	PROTECTION COURROIE	783-0265A-0637	

www.emc-motoculture.com

RS 115-96/13D1478F600 (2004)/Levier de vitesse 7 Vitesses

NOTE ORIENTATION OF STRIP

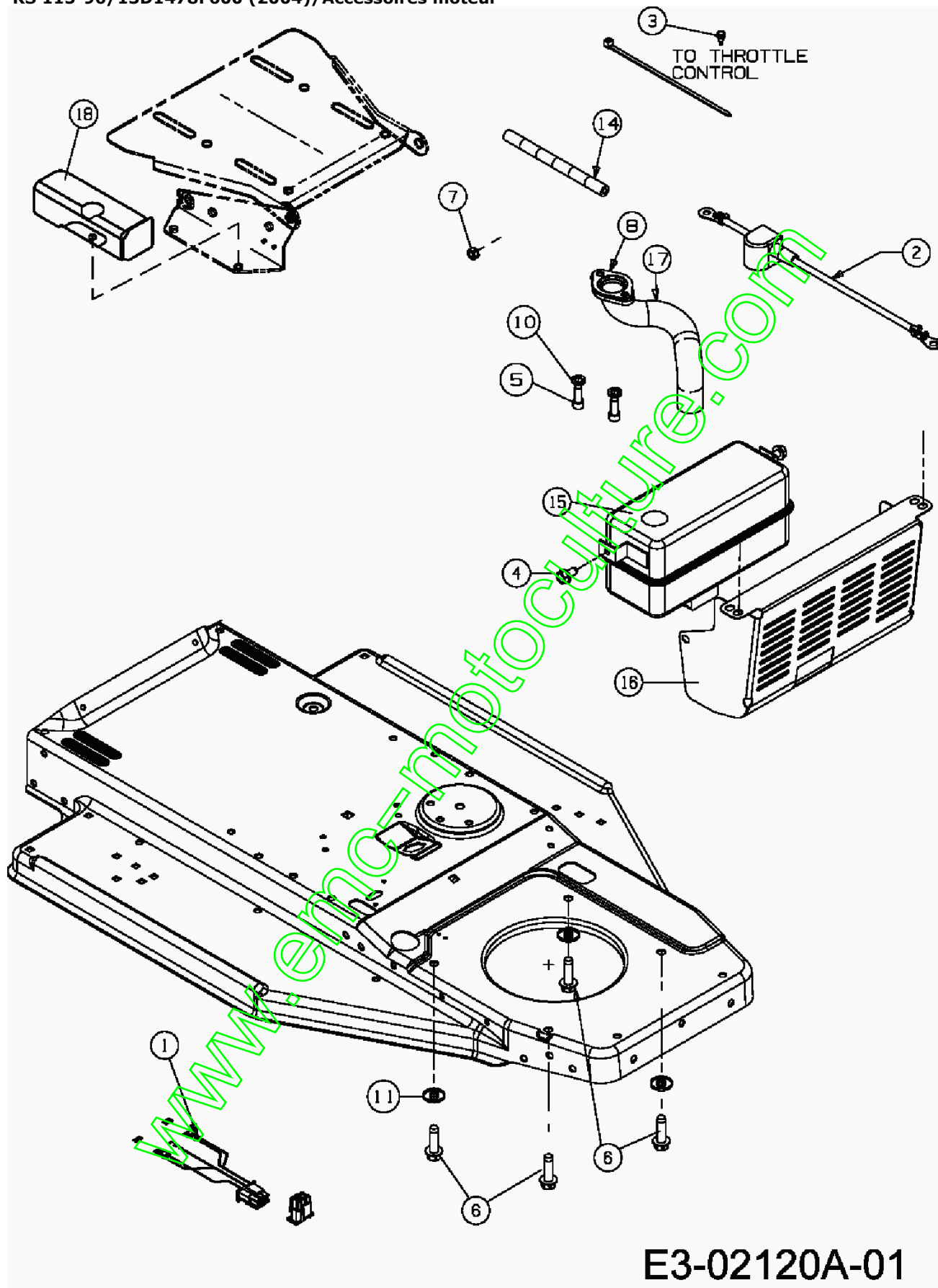


Levier de vitesse 7 Vitesse

Position	Partnumber	Quantity	Designation	Standard	Additional
1	17457B	1	LEVIER DE VITESSE	FINISH:VERZINKT SIEHE ZG.	
2	710-0286	2	VIS 1/4-20X;50"	FINISH:701-01000	
3	711-0677	1	EMBOUT- EX 711-0611	FINISH:VERZINKT SIEHE ZG.	
4	712-0324	2	ECROU	FINISH:701-01000	
5	712-0429	1	ECROU	FINISH:701-01000	
6	714-0104	1	GOUPILLE 5/16 "	FINISH:PHOS AND OIL	
7	714-0507	1	EPINGLE	FINISH:701-01000	
8	720-0232	1	POIGNEE	FINISH:SCHWARZ	
9	732-0691	1	RESSORT	732-0691	
10	736-0141	4	RONDELLE	FINISH:701-01001	
11	736-0264	1	RONDELLE 330 IDX.0630 X .06	FINISH:701-01000 936-0264	
12	738-0138A	1	VIS	FINISH:MTD STD 701-01006	
13	747-0675A	1	TIGE FILETEE	747-0675A	
14	747-0816	1	CROCHET IND VIS	747-0816	
15	749-0836A	1	TRINGLE	749-0836A-0637	
16	683-0331	1	ANZEIGEBAND 7 GANG	TRANSMATIC E-DECK	
17	783-0993	1	PLAQUE		

www.emc-motoculture.com

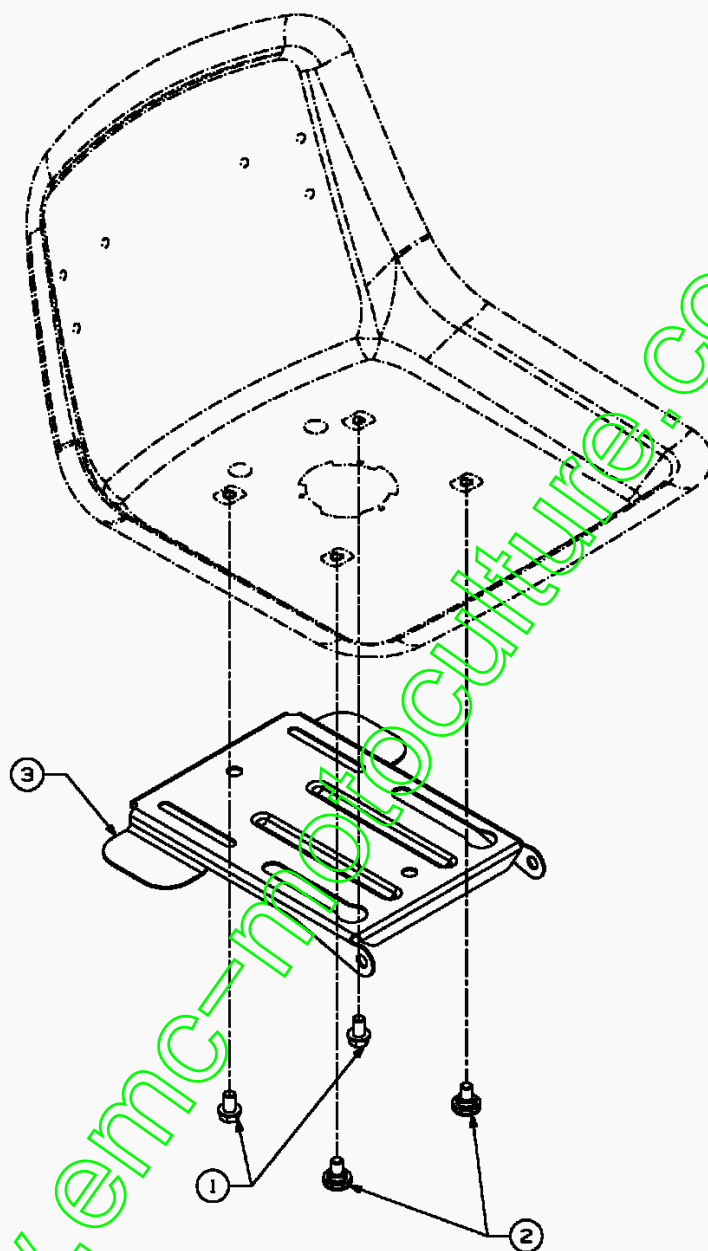
RS 115-96/13D1478F600 (2004)/Accessoires moteur



Accessoires moteur

Position	Partnumber	Quantity	Designation	Standard	Additional
1	629-04035	1	ADAPTER-KABEL :ADAP:400		
2	629-0705	1	CABLE BATTERIE ROUGE 356MM	GUMMISCHUTZKAPPE GROSS ROT	
3	710-0456	1	VIS	FINISH:701-01002	
4	710-0604A	2	VIS	FINISH:MTD SPEC-701-01002	
5	710-1314A	2	VIS	GR.8 FINISH:PHOS & OIL	
6	710-0502A	4	VIS	SELBSTSCHNEIDEND SPEC701-01002	
7	712-0271	1	ECROU	FINISH:701-010015	
8	721-0208	1	JOINT ECHAP B/S MONO CILYNDRE	272293	
9	725-0157	1	COLLIER CABLE 3/16X.05x7.4	PB-Nr. 5652 schwarz	
10	736-0708	2	DISQUE DE FIXATION DIN N	SCHNORR D 8 24.8190.18	
11	736-3072	3	RONDELLE	FINISH:701-01001	
14	751-0535	13	TUYAU ESSENCE	Ø12,7+/-5.84 / Ø6,35+/-0,41	
15	751-0627	1	ECHAPPEMENT OHV400	751-0627	
16	751-0631A	1			
17	751-0640A	1	AUSPUFFKRÜMMER:TEC OHV	FINISH:NONE	
18	783-0297	1	PROTECTION SIEGE	783-0297-0637	

www.emc-motoculture.com



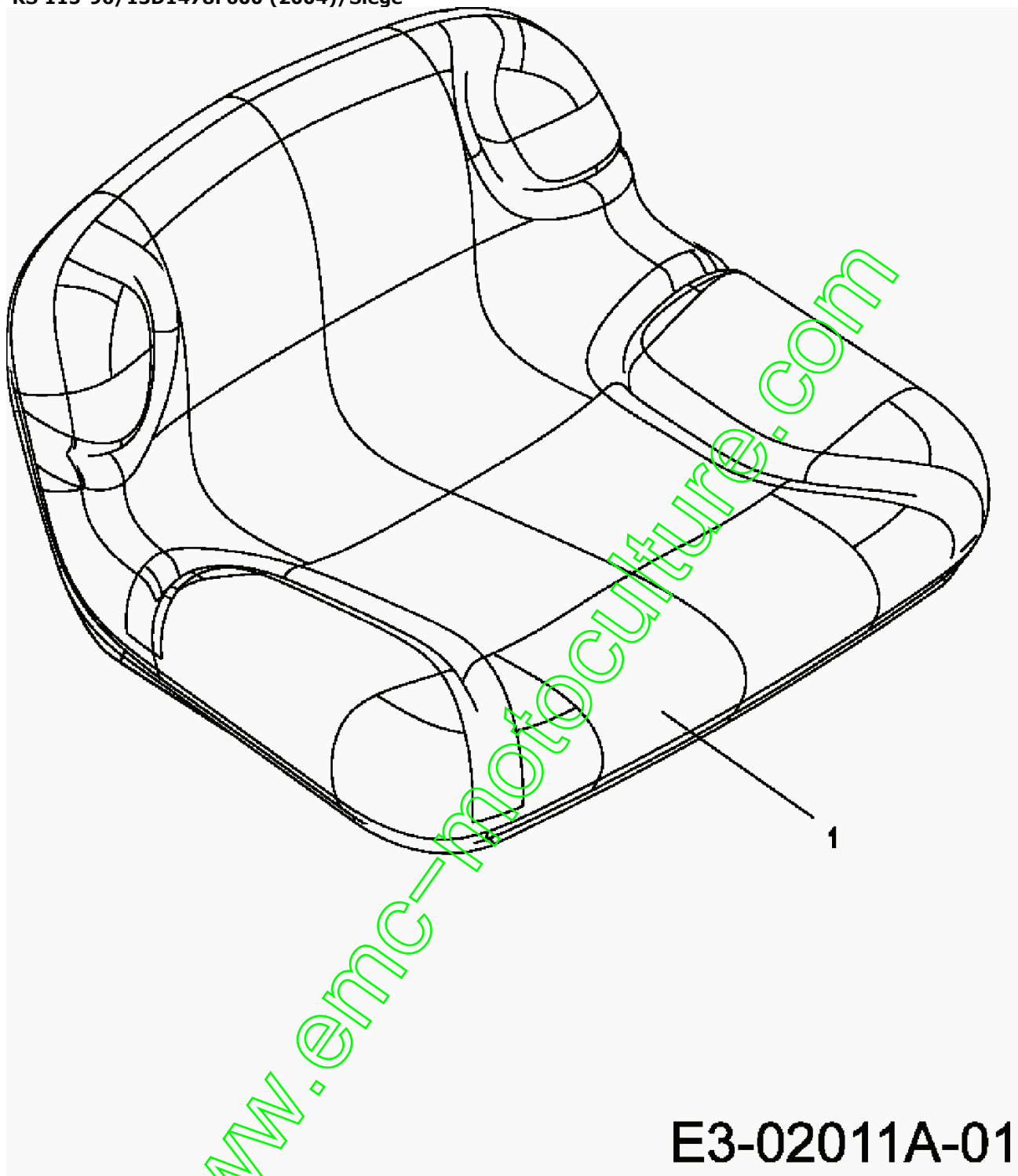
E3-02124A-01

Fixation de siège

Position	Partnumber	Quantity	Designation	Standard	Additional
1	710-0870	2	VIS	710-0870 / 910-0870	
2	738-04012	2	VIS DE SIEGE	3/8-16	
3	783-04081A	1	SUPPORT DE SIEGE	(MANUELLE VERSTELLUNG)	

www.emc-motoculture.com

RS 115-96/13D1478F600 (2004)/Siège

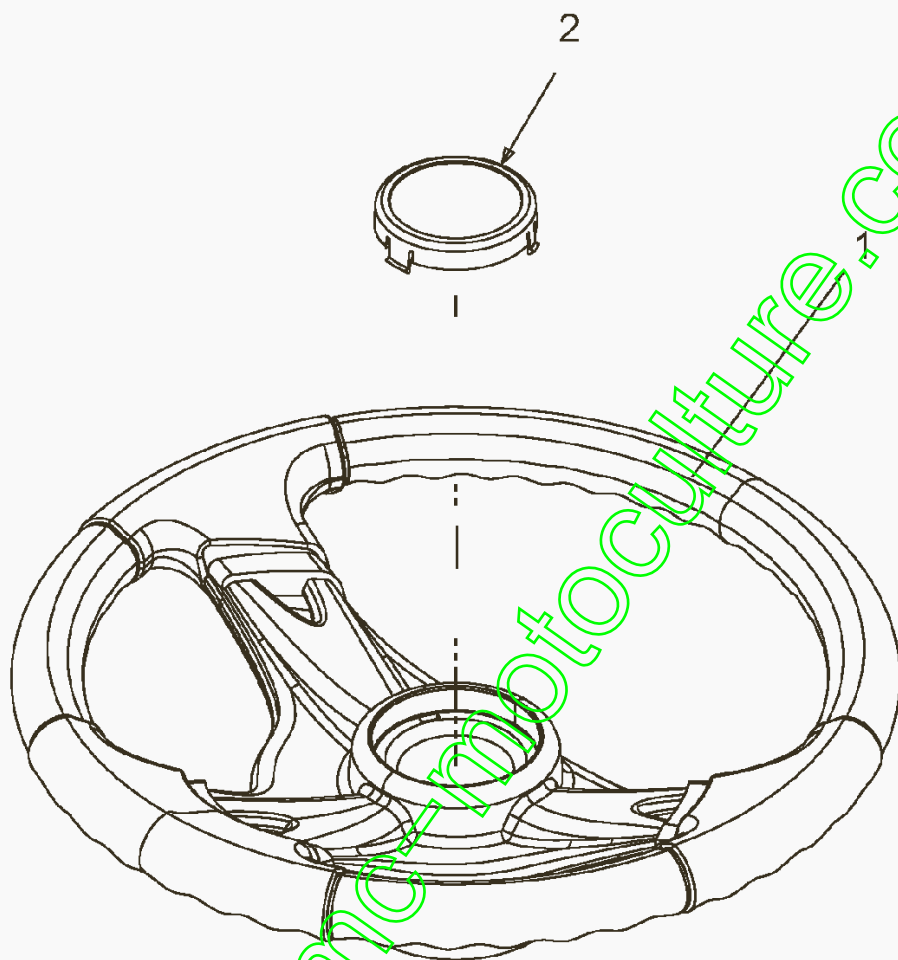


Siège

Position	Partnumber	Quantity	Designation	Standard	Additional
1	757-04001	1	SIEGE BAS	757-04001	

www.emc-motoculture.com

RS 115-96/13D1478F600 (2004)/Volant

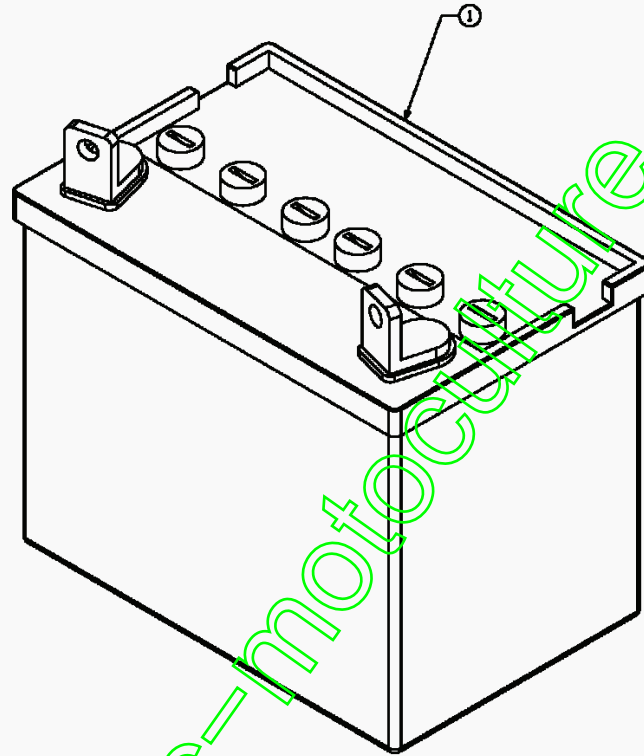


E3-02015A-01

Volant

Position	Partnumber	Quantity	Designation	Standard	Additional
1	631-04028	1	VOLANT		
2	731-04039	1	CAPUCHON DE VOLANT		

www.emc-motoculture.com

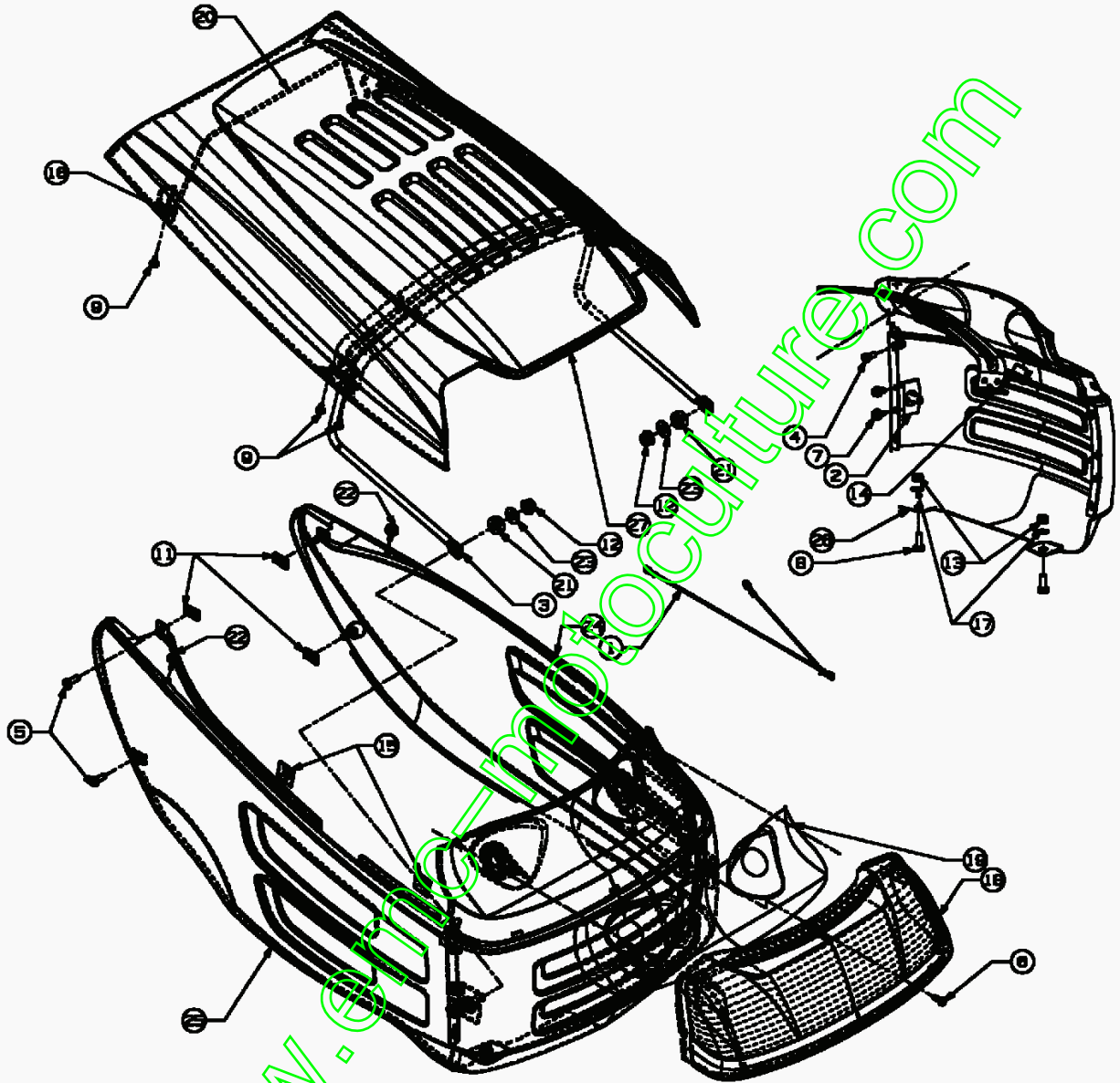


E3-02117A-01

Batterie

Position	Partnumber	Quantity	Designation	Standard	Additional
1	725-1705D	1	BATTERIE U1:155 CCA	U1-7	

www.emc-motoculture.com

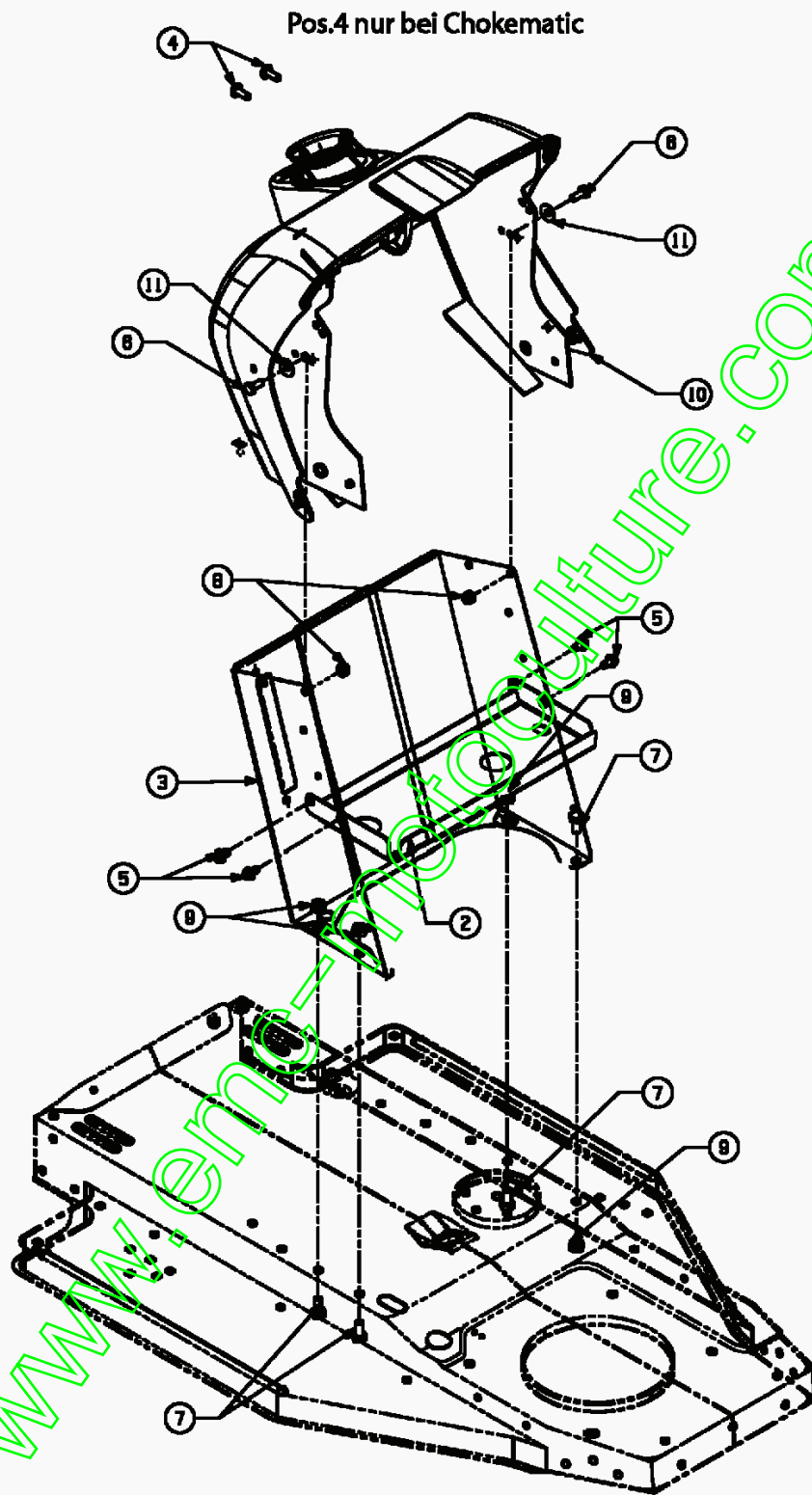


E3-02127A-01

Capot de moteur

Position	Partnumber	Quantity	Designation	Standard	Additional
1	629-0742	1	CABLE	#18 X 21.0 LG GRUEN	
2	683-0195	2	SUPPORT CALANDRE STL 8		
3	683-0220A	1	HAUBENHALTER 7/8 STYLE		
4	710-0751	2	VIS	FINISH:701-01000	
5	710-0924	4	VIS 1/4-20X;75" LG	FINISH:701-01000	
6	710-1237	1	VIS	HXINDWSH FINISH:701-01002	
7	710-1652	4	VIS	FINISH:MTD-SPEC-701-01002	
8	710-1681	2	VIS HEXAGONALE DIN 933	MTD SPEC-100015 21.1441.70	
9	710-1760	6	VIS	PHOS & OIL (ähnlich 710-0779A)	
10	712-0271	2	ECROU	FINISH:701-010015	
11	712-0292	4	ECROU POUR CAGE 1/4-20	FINISH:SIEHE ZG.	
12	712-0431	2	ECROU STOP 3/8-16	FINISH:MTD SPEC-100015	
13	712-0692	2	ECROU	MTD SPEC-100015 24.1426.18	
14	725-1649	2	SUPPORT AMPOULE PLASTIQUE	725-1649 grau Kunst.	
15	726-0359	1	PLAQUE ISOLANT	A4M (PB-NR.) 000.70.264	
16	726-0362	2	ECROU	000.06.044	
17	726-0372	2	KS7-BLS	KS7-BLS	
18	731-1854A	1	GLACE DE PHARE		
19	731-2140	1	REFLECTEUR CALANDRE STL 8		
20	732-0886	1	SUPPORT ETRIER CAPOT STL 8	GESCHWÄRZT ODER PHOSPHATIERT	
21	735-0126A	2	GUMMISCHEIBE: .3850 IDx.87x.325		
22	735-0199A	2	PROTECTION CAOUTCHOUC	FINISH: SCHWARZ 935-0199A	
23	736-0105	2	RONDELLE	FINISH:MTD SPEC-100016	
24	783-0475B	1	FINISH:LACKIERT	FINISH:LACKIERT	
25	783-0476C	1	BLACK JACK	FINISH:LACKIERT	
26	783-0477A	1	GRILL:8 STYLE	FINISH:LACKIERT	
27	783-0478B	1			

www.emc-motoculture.com

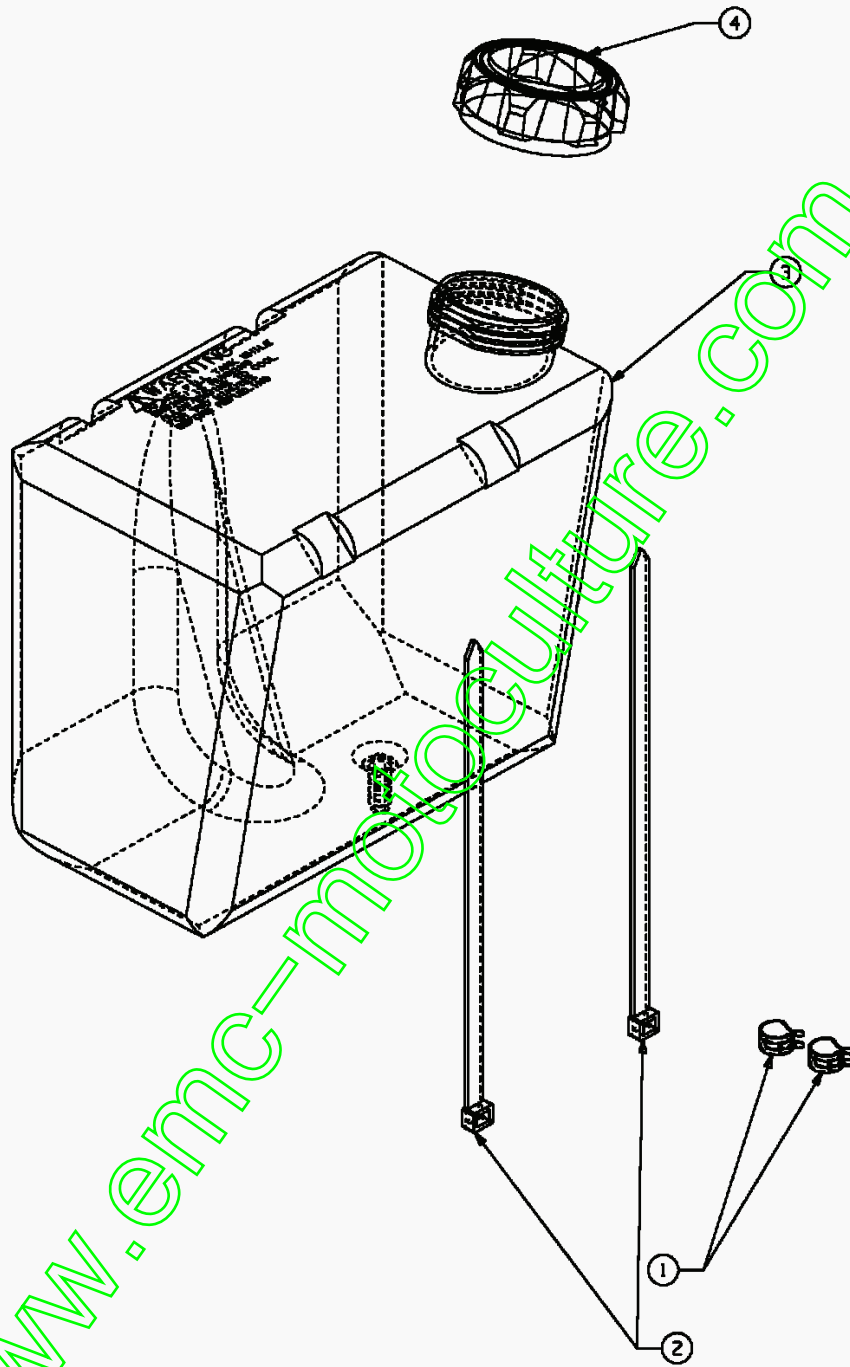


E3-02139A-01

Panneau

Position	Partnumber	Quantity	Designation	Standard	Additional
2	17932	1	SUPPORT RESERVOIR	STYLE-1	
3	17933A	1	TABLEAU DE BORD	17933A-0637	
4	710-04281	2	VIS:AB:1/4-14:.75	TRUSPHIL GLANZVERZINKT	
5	710-0599	4	VIS IDEM A 710-1005	FINISH:701-01002	
6	710-0751	2	VIS	FINISH:701-01000	
7	710-1376	4	VIS M8X16-8.8 DIN 933	Zn 5glcB 21.1441.68	
8	712-0324	2	ECROU	FINISH:701-01000	
9	712-0692	4	ECROU	MTD SPEC-100015 24.1426.18	
10	731-04184A	1	TABLEAU DE BORD	OHNE AMPEREMETER	
11	736-0270	2	RONDELLE 265 X 75 X 0.62"	FINISH:701-01001	

www.emc-motoculture.com



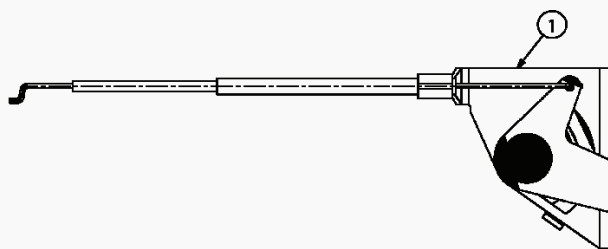
E3-02131A-01

Reservoir

Position	Partnumber	Quantity	Designation	Standard	Additional
1	726-0205	2	CLIPS	FINISH:PHOS UND GELB LACKIERT	
2	726-0209	2	COLLIER CABLE	5615 PB FINISH:SCHWARZ	
3	751-0553	1	RESERVOIR 5 L ENV.	1.25 GALLON FINISH:SIEHE ZG.	
4	751-0603	1	BOUCHON RESERVOIR ESSENCE	FINISH:SCHWARZ	

www.emc-motoculture.com

RS 115-96/13D1478F600 (2004)/Levier de commande



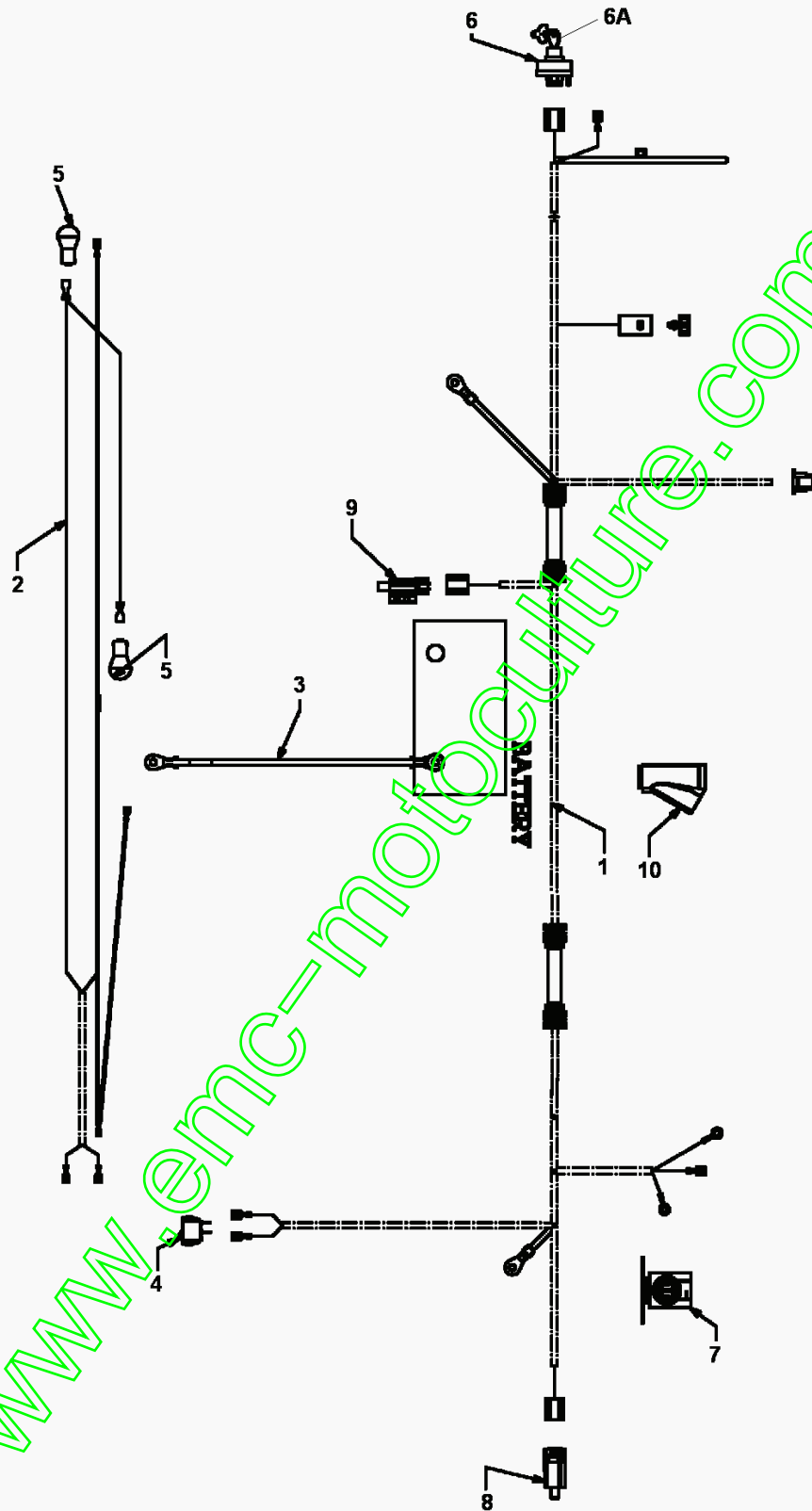
E3-02132A-01

www.emc-motoculture.com

Levier de commande

Position	Partnumber	Quantity	Designation	Standard	Additional
1	746-04020A	1	CABLE GAZ 47CM	CHOKE:18.5 x .63 EXT	

www.emc-motoculture.com

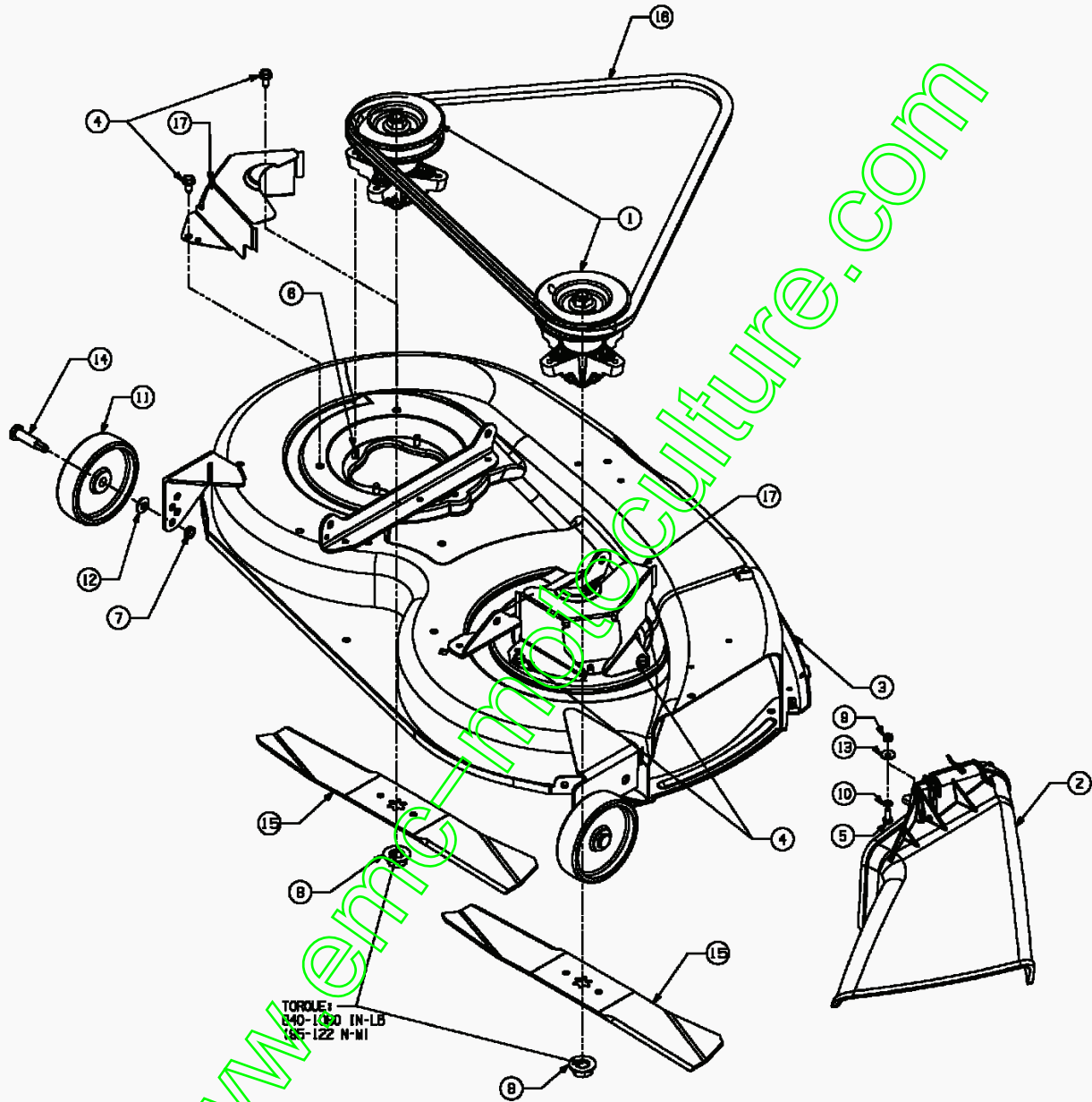


E3-02141A-01

Plan électrique

Position	Partnumber	Quantity	Designation	Standard	Additional
1	629-04029	1	FAISCEAU COMPLET		
2	629-04056	1	FAISCEAU DE PHARE	629-04056	
3	629-0702	1	FIL BATTERIE NOIR 330MM		
4	725-0634	1	INTERRUPTEUR PHARE	725-0634	
5	725-0963	2	AMPOULE DE PHARE		
6	725-1396A	1	CONTACTEUR AVEC CLE:6 POLES		
6A	725-0201	1	CLE DE DEMARRAGE	FINISH:VERNICKELT 079.12.707	
7	725-1426	1	RELAIS DE DEMARRAGE SOLENOID	725-1426 Mutter 712-0271	
8	725-1657A	1	SECURITE D'EMBAYAGE	Sich.Mähwerk+Kuppl. GRAU	
9	725-3169A	1	SECURITE DE LAME	725-3169A/925-3169A	
10	731-2021	1	RACCORD Y PLASTIC DE FAISCEAU	FINISH: SCHWARZ 9817201	

www.emc-motoculture.com



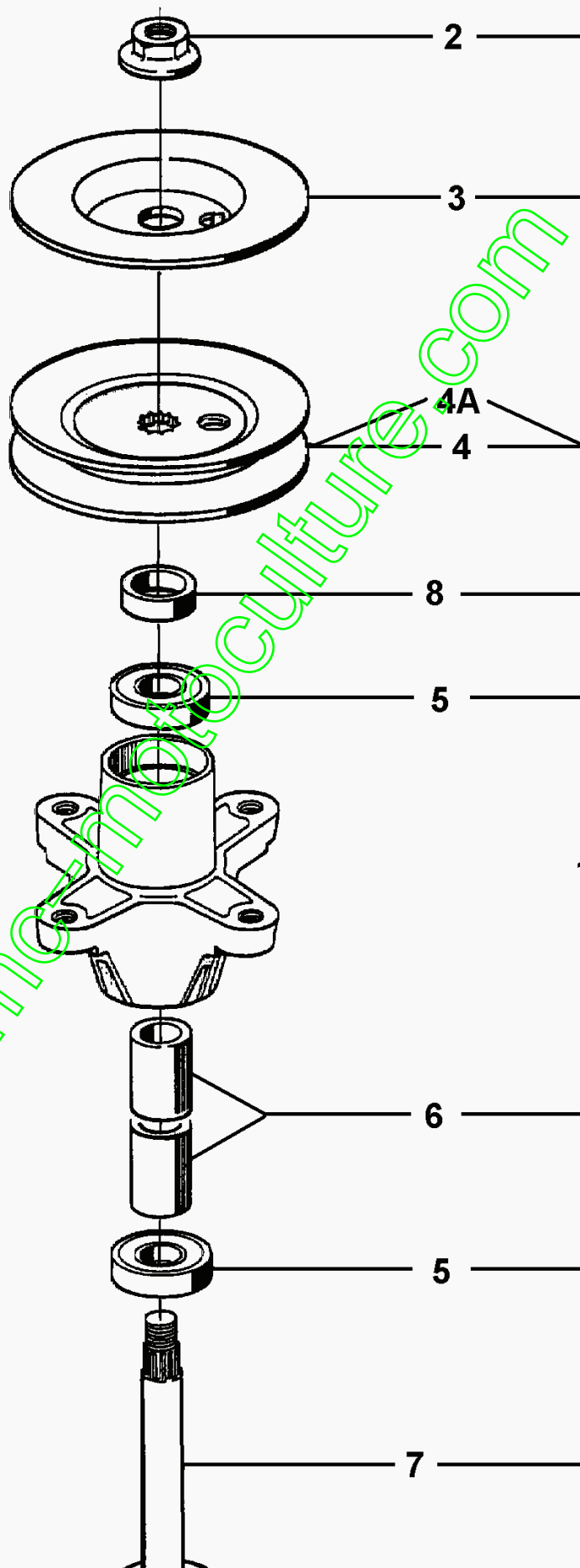
E3-02165A-01

Plateau de coupe F

Position	Partnumber	Quantity	Designation	Standard	Additional
1	618-0138A	2	PALIER LAME COMPLET COUPE 96CM	MONTAGE	
2	631-0220	1	DEFLECTEUR EJECTION LATERALE	631-0220/931-0220	
3	683-0119A	1	MÄHDECK VOLLST:38"(F-DECK):400	SCHWARZ LACKIERT	
4	710-0726	4	VIS	FINISH:701-01002	
5	710-0751	2	VIS	FINISH:701-01000	
6	710-1260A	8	VIS	LAGERGEH.MESSERWELLE:701-01002	
7	712-0181	2	ECROU	TOP LOCK MTD SPEC-100015	
8	712-0417A	2	ECROU	FINISH:701-01000	
9	712-3006	2	ECROU	FINISH:701-01000	
10	726-0233	2	BOUCHON	FINISH:SIEHE ZG.	
11	734-0973	2	ROUE DE PLATEAU	SCHWARZ	
12	736-0105	2	RONDELLE	FINISH:MTD SPEC-100016	
13	736-0270	2	RONDELLE 265 X 75 X 0.62"	FINISH:701-01001	
14	738-0373	2	AXE DE ROUE DE PLATEAU	FINISH:701-01000	
15	742-0675	2	942-0675	MULCH:LOW:6 PT 942-0675	
16	754-0329A	1	COURROIE DE LAME COUPE 96CM	754-0329A/954-0329A	
17	783-04148A	2			

www.emc-motoculture.com

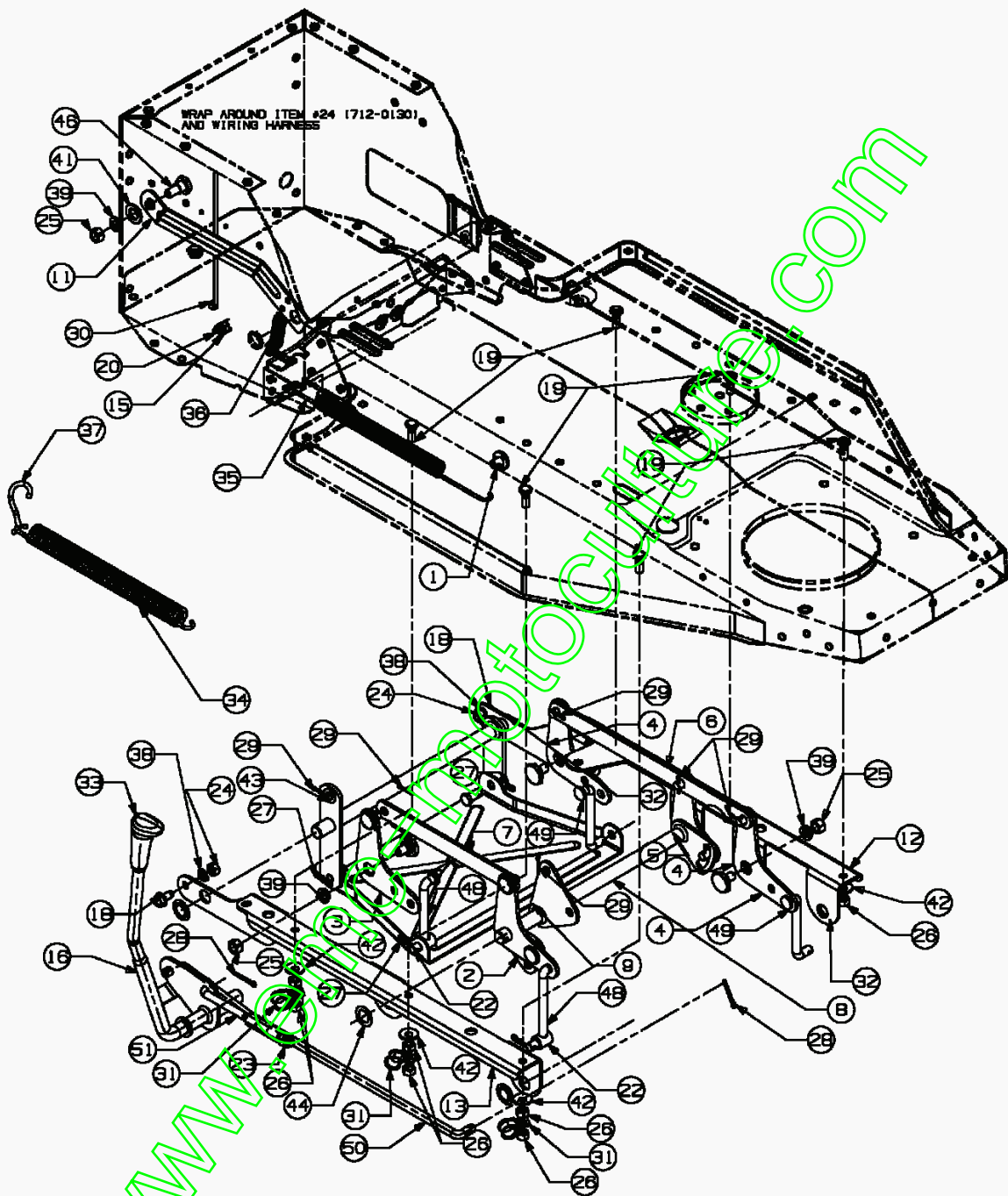
618-0138A



Palier cpl. 618-0138A

Position	Partnumber	Quantity	Designation	Standard	Additional
1	618-0138A	1	PALIER LAME COMPLET COUPE 96CM	MONTAGE	
2	712-0417A	1	ECROU	FINISH:701-01000	
3	783-0342	1	DISQUE DE FREINS ZINGUE		
4	756-0969	1	POULIE DE PLATEAU	756-0969	
4A	756-1187	1	POULIE DE PALIER DROITE		à partir du 2003
5	741-0919	2	ROULEMENT DE PALIER DE LAME	C3	
6	750-1000	2	ENTRETOISE	FINISH:GEÖLT	
7	738-0933	1	AXE DE PALIER DE LAME	FINISH:GEÖLT	
8	748-0434	1	DOUILLE	748-0434	fsg

www.emc-motoculture.com

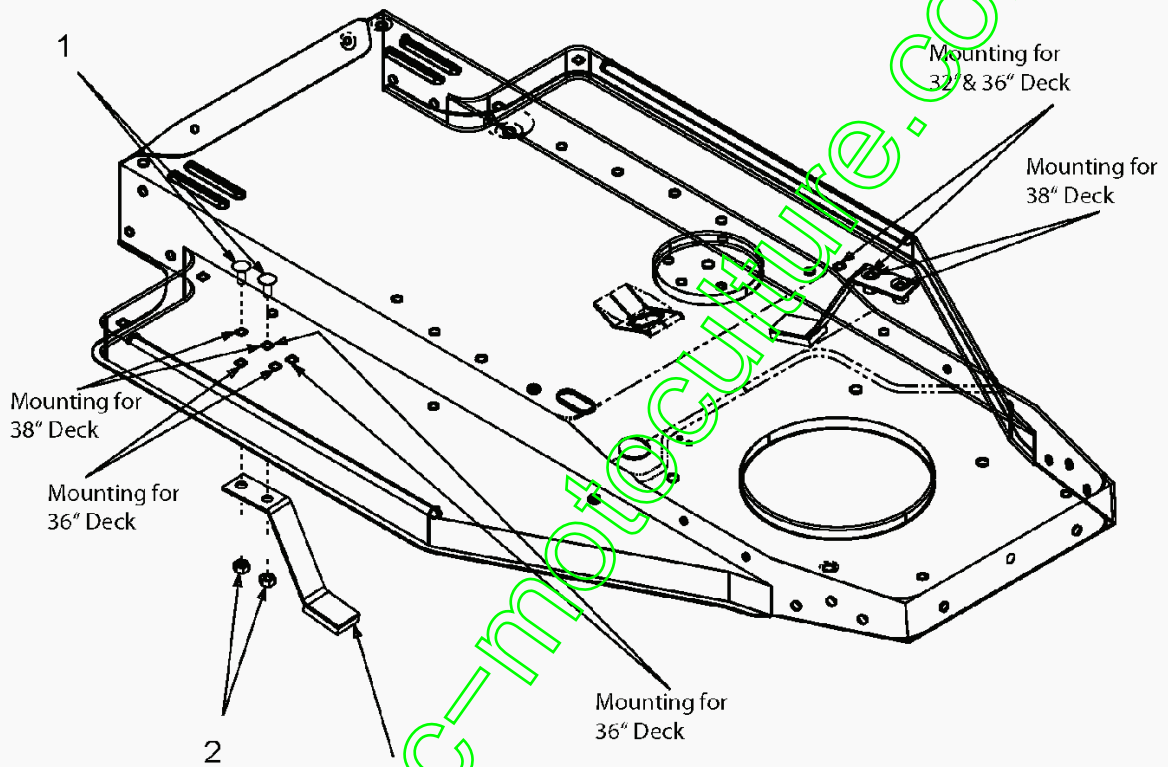


E3-02164A-01

Relevage plateau de coupe

Position	Partnumber	Quantity	Designation	Standard	Additional
1	16682	1	MANCHON	16682	
2	17554	1	SUPPORT	17554-0637	
3	17555	1	VOIR 97555	17555-0637	
4	17556	2	SUPPORT	17556-0637	
5	17557	1	SUPPORT GAUCHE	17557-0637	
6	17562	1	FERRURE G	V7562-0637	
7	17563	1	FERRURE D	17563-0637	
8	683-0232	1	ARBRE CPL.	400: 683-0232-0637	
9	17573A	1	SUPPORT	17573A-0637	
10	17574	1	ARBRE	17574-0637 SCHWEIBTEIL	
11	17580	1	SUPPORT	17580-0637	
12	17581	1	SUPPORT	17581-0637	
13	17582	1	SUPPORT	17582-0637	
14	17597	1	SUPPORT DE TIGE DE FREIN	17597-Z	
15	17962	1	PLAQUETTE	17962	
16	683-0584	1			
17	710-0376	1	VIS	FINISH:701-01000	
18	710-0604	2	VIS	HXINDWSH	
19	710-1012	6	VIS	RD HD FINISH:PHOS & OIL	
20	710-1388	2	VIS TIN BZ 4,8x13 DI 7981	MTD SPEC-100015 22.6417.44	
22	711-3397	2	CHEVILLE ,375 DIAx 31L	FINISH:ZINC SIEHE ZG.	
23	712-0130	1	ECROU POLY STOP 3/8-16" GR 8	FINISH:701-01000	
24	712-3010	4	ECROU	FINISH:701-01000	
25	712-3017	4	ECROU	FINISH:701-01000	
26	712-3057	9	ECROU	FINISH:701-01000	
27	714-0104	7	GOUPILLE 5/16 "	FINISH:PHOS AND OIL	
28	714-0115	2	GOUPILLE	FINISH:SIEHE ZG.	
29	714-0507	8	EPINGLE	FINISH:701-01000	
30	725-0157	1	COLLIER CABLE 3/16X.05x7.4	PB-Nr. 5652 schwarz	
31	726-0272	4	CLIPS	726-0272	
32	726-04028	4	KLEMMRING:5/8 DIA		
33	731-2509	1	POMMEAU RELEVAGE DE COUPE	FINISH: SCHWARZ	
34	732-0603	1	RESSORT	FINISH:PHOS & OIL	
35	732-0638	1	RESSORT	FINISH:PHOS & OIL 32cm	
36	732-0640	1	RESSORT LEVIER RELEVAGE	FINISH:PHOS & OIL	
37	732-0722A	1	732-0722A / 932-0722A	732-0722A / 932-0722A	
38	736-0119	3	RONDELLE 5/16	FINISH:701-01001	
39	736-0169	3	RONDELLE 3/8"	FINISH:MTD SPEC-100016	
40	736-0185	14	RONDELLE 3/8.738X.063	FINISH:701-01000	
41	736-0192	1	RONDELLE .531 X 93 X .090	FINISH:701-01000	
42	736-0242	6	RONDELLE	FINIS:701-01001	
43	736-0314	1	RONDELLE 375 X 70 X .030	FINISH:701-01001	
44	736-0336	2	RONDELLE 5/8X1.00X.030	ZINC SIEHE ZG.	
46	738-0143	1	AXE	FINISH:701-01000	
47	738-0281	3	AXE	938-0281/ FINISH:ZINC SIEHE ZG	
48	747-04189	2	FINISH:SIEHE ZG	FINISH:SIEHE ZG	
49	747-04229	2	VERBINDUNG:AUFHANGER:DECK 400		
50	747-0745	1	LEVIER	17.8 LG FINISH:SIEHE ZG	
51	747-0746	1	TIGE FILETEE	FINISH:PHOS & OIL ODER ZINC	
52	750-0379	1	ENTRETOISE (647 IDX 780DX .85	750-0379	

RS 115-96/13D1478F600 (2004)/Frein

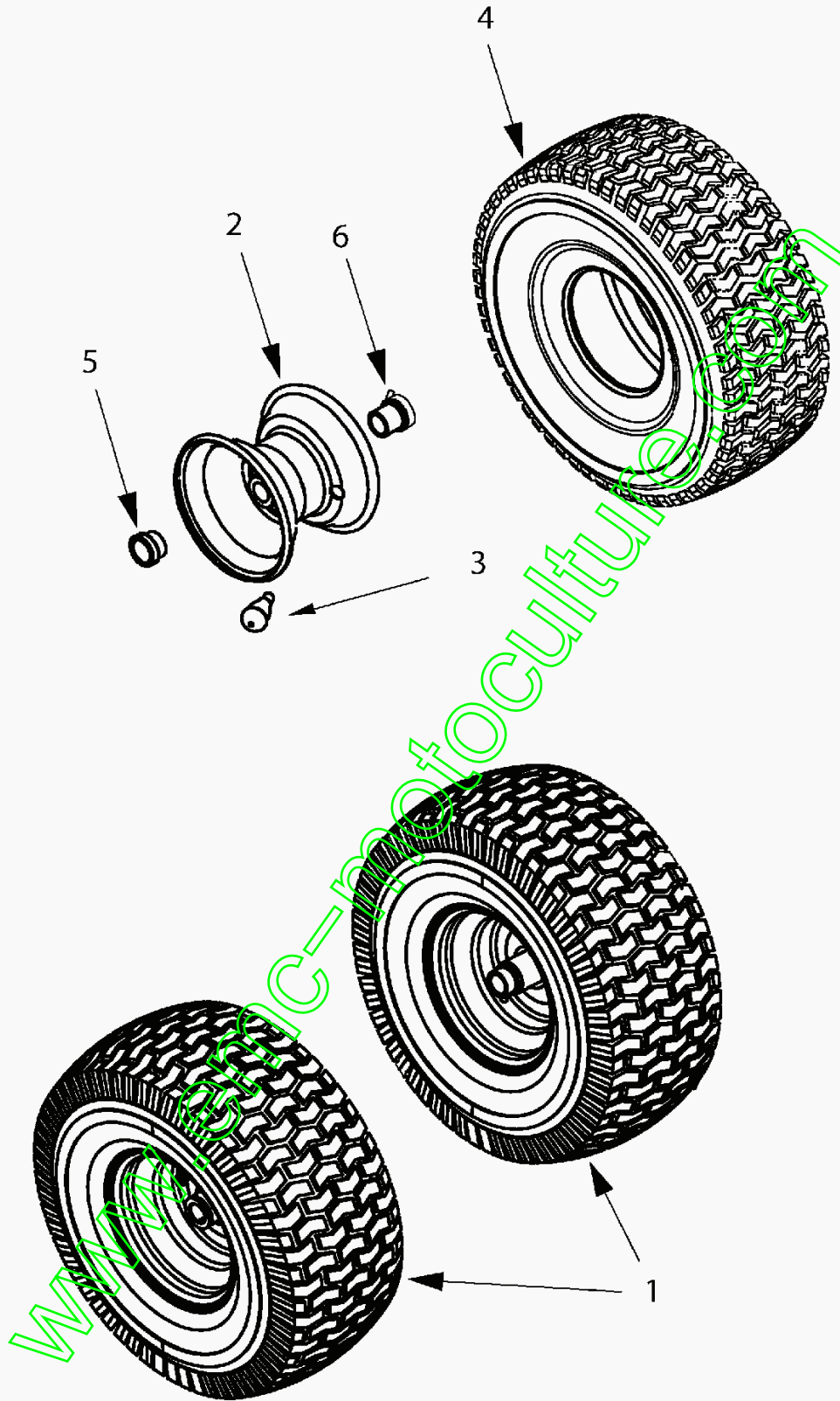


E3-02162A-01

Frein

Position	Partnumber	Quantity	Designation	Standard	Additional
1	710-1687	4	ECROU PLAT 4KT-ANS DIN 603	22.3419.12	
2	712-0691	4	ECROU	MTD SPEC-100015 24.1426.14	
3	761-0194A	2	FREIN DE LAME	761-0194A	

www.emc-motoculture.com



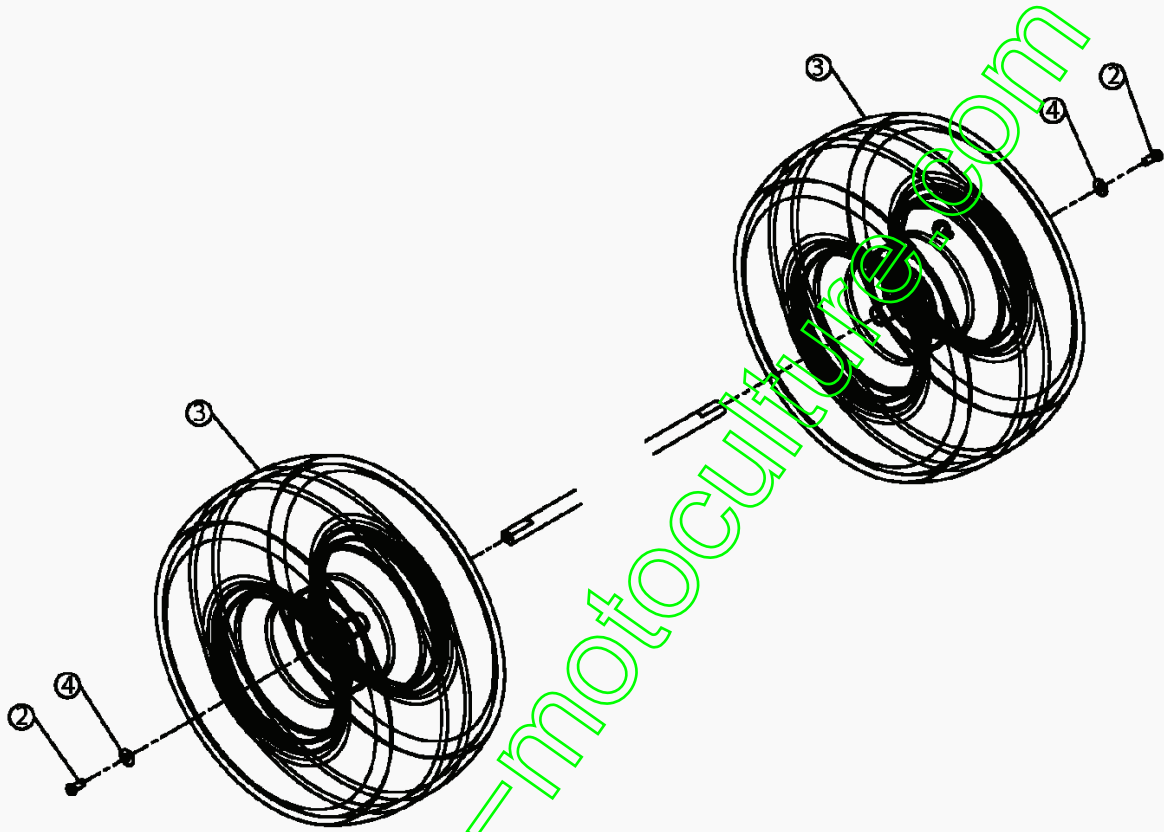
E3-02172A-01

Roues

Position	Partnumber	Quantity	Designation	Standard	Additional
1	634-0087A	2	ROUE COMPL 15X6,0		
2	634-0172	1	JANTE ,6,0X4,5	W/OHOL	
3	734-0255	1	SOUPAPE AIR	934-0255	
4	734-1731	1	PNEU 15X600X6 DICO MULTI-TRAC		
5	741-0487A	1	BAGUE DE ROUE AVANT	741-0487A (BR.748-0184)	
6	741-0706	1	BAGUE ROUE AVANTAVEC GRAISSEUR	MIT SCHMIERNIPPEL	

www.emc-motoculture.com

RS 115-96/13D1478F600 (2004)/Roue arrière



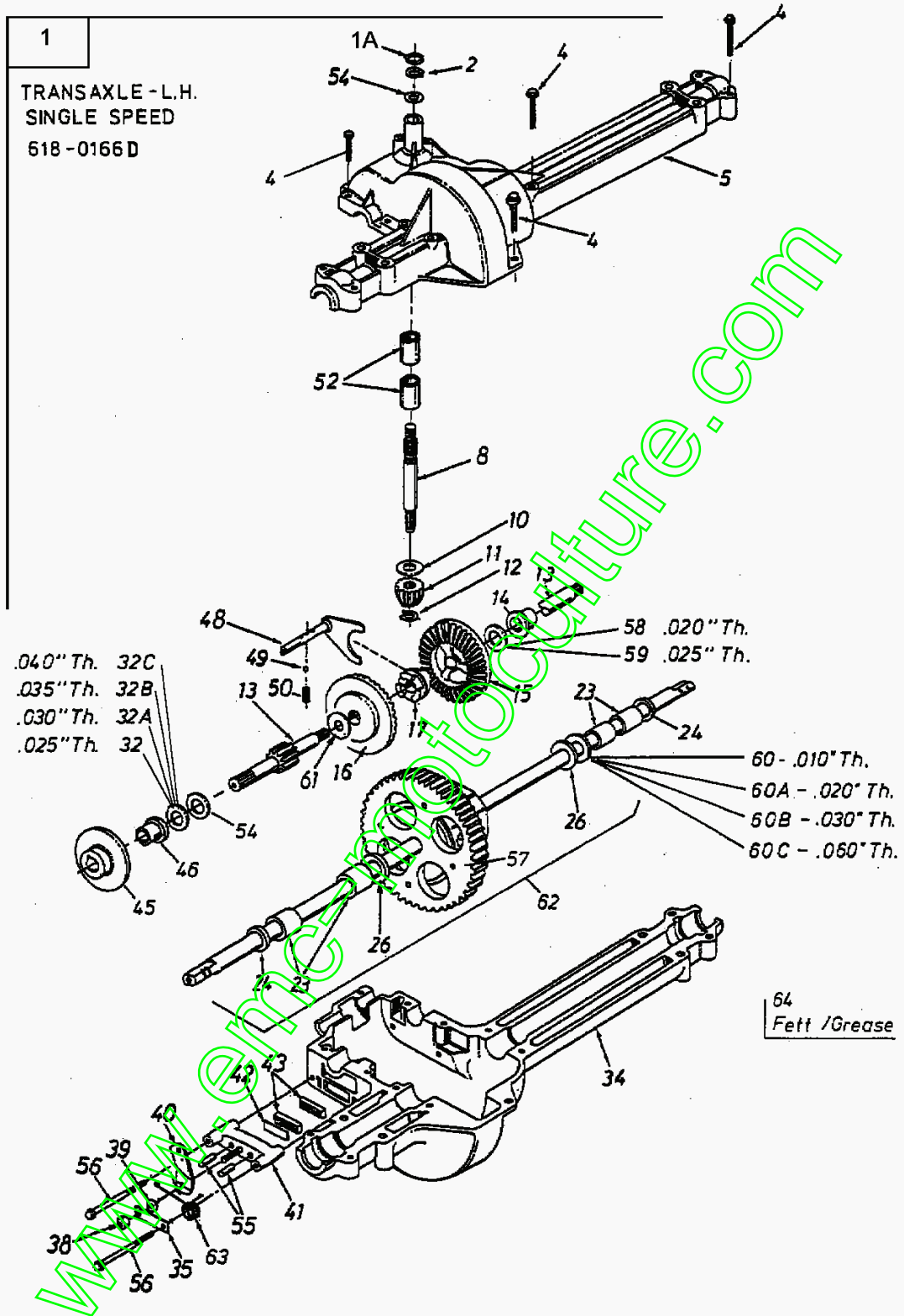
E3-02084A-01

Roue arrière

Position	Partnumber	Quantity	Designation	Standard	Additional
2	710-0627	2	VIS	FINISH:701-01000	
3	734-0817	2	ROUE COMPL 18X9,50-8 ST ELEC	734-0817-0662	
4	736-0242	2	RONDELLE	FINIS:701-01001	
5	634-0070	1	JANTE	FINISH:788-0499/674/0662	
6	734-0255	1	SOUPAPE AIR	934-0255	
7	734-0448	1	PNEU 18*950*8	734-0448-0901	

www.emc-motoculture.com

RS 115-96/13D1478F600 (2004)/Boite de vitesse 618-0166B et 618-0166D



E3-01304B-01

Boite de vitesse 618-0166B et 618-0166D

Position	Partnumber	Quantity	Designation	Standard	Additional
1	618-0166D	1	BOITE DE VITESSE AUTOPORTEE		
1A	732-0614	1	CLIPS RESSORT	FINISH:ZINC PHOSPHATE	
2	716-0231	1	CIRCLIPS	FINISH:PHOS & OIL 916-0231	
4	710-1325	13	VIS	FINISH:701-01002	
5	719-0367	1	DEMI CARTER SUPERIEUR	719-0367 OBEN	
8	711-1109	1	ARBRE INPUT	711-1109	
10	736-0335	1	RONDELLE 1 5/8XA1.25"X.06	736-0335	
11	717-1464	1	ROUE 14 DENTS	717-1464	
12	716-0108	1	CLIPS	716-0108/916-0108	
13	711-1016	1	ARBRE	711-1016/911-1016	
14	741-0336	1	SUPPORT DE BRIDE 1.5/8X3/4"	FINISH:SIEHE ZG. 941-0336	
15	717-1362	1	PIGNON CONIQUE 42 DENTS PT US	717-1362 / 917-1362	
16	717-1363	1	PIGNON CONIQUE 42 DENTS GR US	717-1363/917-1363	
17	718-0228	1	CRABOT	718-0228	
23	741-0340	4	DOUILLE 1,3/4X1,0" lg	741-0340 / 941-0340	
24	721-0338	2	JOINT	.75x1.00x.125	
26	736-0445	1	RONDELLE	FINISH:701-01001	
32	736-0495	1	RONDELLE 5/8X1X.25	FINISH:SIEHE ZG. 936-0495	
32A	736-0336	1	RONDELLE 5/8X1.00X.030	ZINC SIEHE ZG.	
32B	736-0494	1	RONDELLE	FINISH:SIEHE ZG.	
32C	736-0337	1	RONDELLE 5/8 IDX1.0 ODX.040	FINISH:701-01001 936-0337	
34	719-0313B	1	DEMI CARTER INFERIEUR	719-0313B UNTEN	
35	718-0150	1	ECLISSE	FINISH:VERZINKT SIEHE ZG.	
38	712-0273	1	ECROU HEXAGONAL 5/16-24"	FINISH:MTD STD 701-01000	
39	736-0371	1	RONDELLE 1.344XA .875"	FINISH:701-01001	
40	717-0772A	1	LEVIER DE FREIN	717-0772A	
41	761-0198	1	CARTER FREIN	761-0198	
42	717-0682	1	PLAQUE	FINISH:NONE 917-0682	
43	717-0678	2	PLAQUETTE DE FREIN	917-0678	
45	761-0202	1	DISQUE / FREIN	FINISH:ÖL UND FETTFREI	
46	741-0337	1	SUPPORT DE BRIDE 1.5/8X15/16"	741-0337 / 941-0337	
48	611-0011	1	FOURCHETTE	611-0011 / 911-0011	
49	741-0862	1	BILLE	741-0862	
50	732-0863	1	RESSORT 225 x 50 "	732-0863 / 932-0863	
52	741-0335	2	ROULEMENT 1,5/8X1/2" LG	741-0335 / 941-0335	
54	736-0349	1	RONDELLE 5/8 IDX10 OD X .020	FINISH:SIEHE ZG.	
55	741-0343	2	CHEVILLE / PRESSION 5/16"	941-0343	
56	710-1206	2	VIS	FINISH:MTD SPEC-701-01002	
57	717-1364	1	PIGNON CÔNIQUE 58 Z	717-1364	
58	736-0349	1	RONDELLE 5/8 IDX10 OD X .020	FINISH:SIEHE ZG.	
59	736-0495	1	RONDELLE 5/8X1X.25	FINISH:SIEHE ZG. 936-0495	
60	736-0492	1	RONDELLE 76X1.5X.010	736-0492 / 936-0492	
60A	736-0493	1	RONDELLE 76X1.5X.020	736-0493/936-0493	
60B	736-0351	1	RONDELLE .75x1.50"	736-0351/936-0351	
60C	736-0445	1	RONDELLE	FINISH:701-01001	
61	736-0519	1	RONDELLE	736-0519/936-0519	
62	618-0233A	1	DIFFERENTIEL DE BOITE	918-0233A RB 618-04093	incl. Ref. 23,24,26,57,60
63	732-0743	1	RESSORT	FINISH:ZINC PHOS&OIL 932-0743	
64A	001.51.050	1	GRAISSE 1 KG	DURAPLEX EP00	fsg