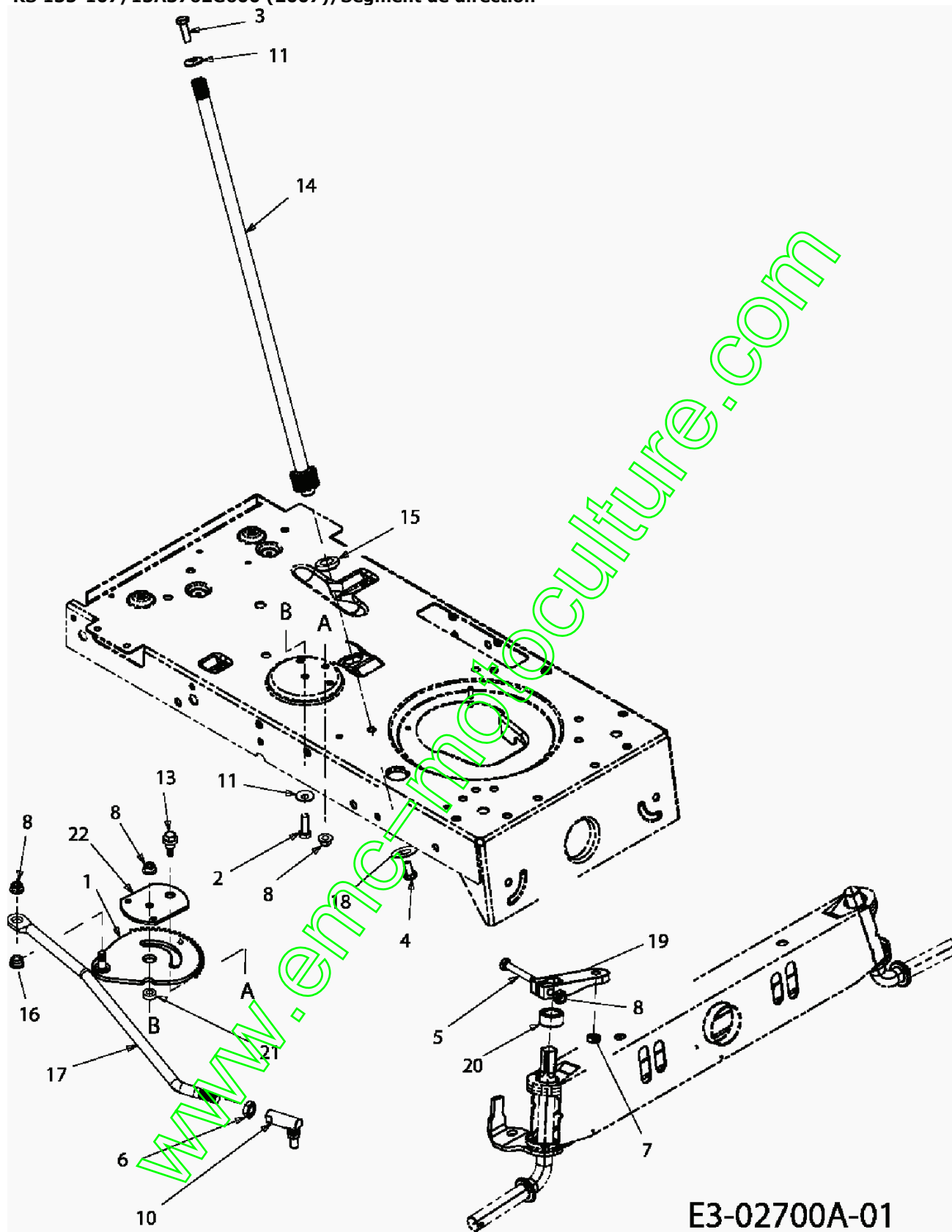


RS 135-107/13A3762G600 (2007)/Segment de direction

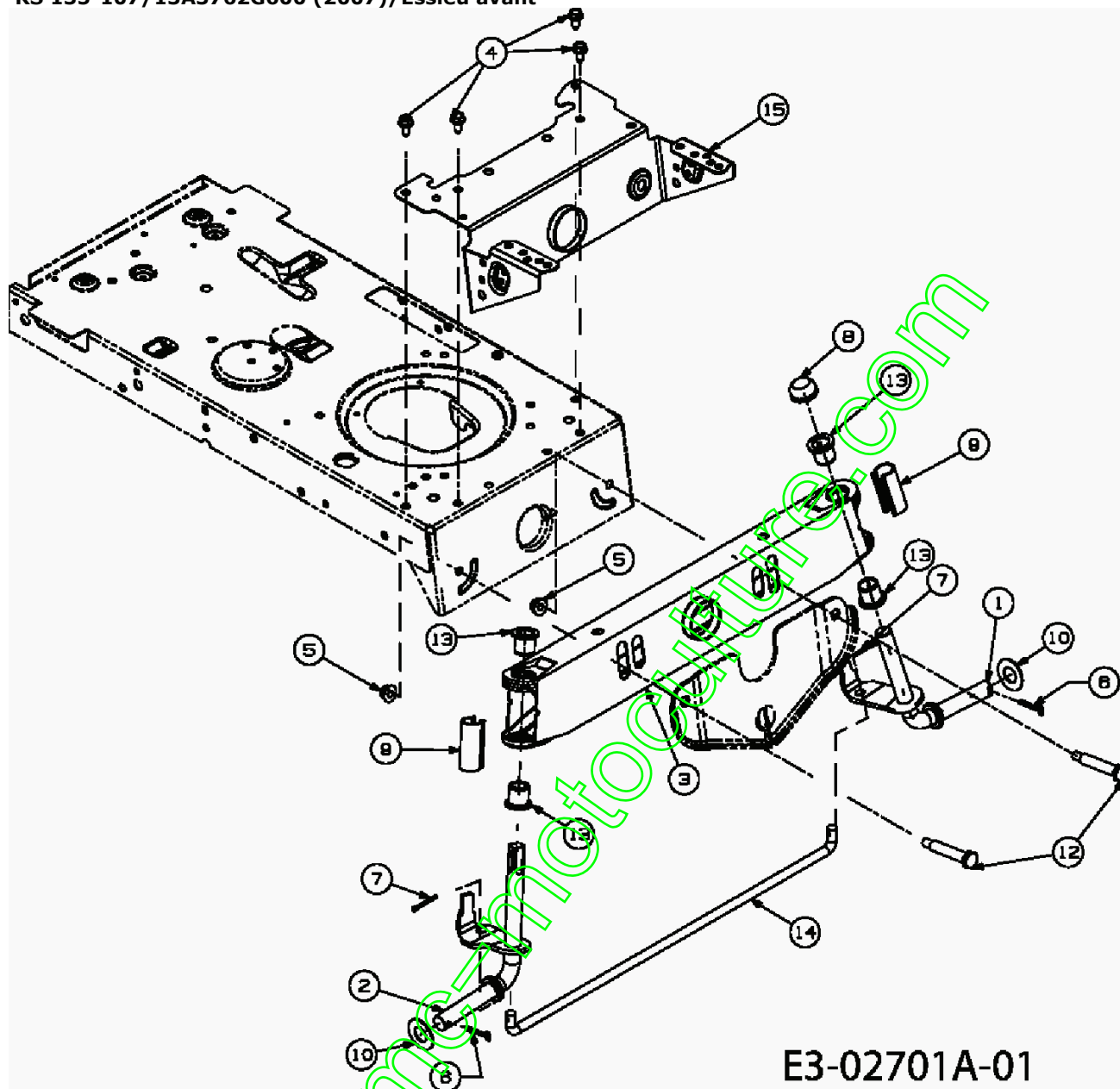


Segment de direction

Position	Partnumber	Quantity	Designation	Standard	Additional
1	617-04024	1	SEGMENT DE DIRECTION CPL		
2	710-0376	1	VIS	FINISH:701-01000	
3	710-0643	1	VIS	LOCTITE MICROVERKAPSEL	
4	710-1309	1	VIS	FINISH:701-01000	
5	710-3180	1	VIS	FINISH:701-01000	
6	712-0240	1	ECROU 7/16-20 : GR 2	FINISH:701-01000	
7	712-0262	1	ECROU	FINISH:701-01000	
8	712-04063	4	ECROU	FINISH:701-01000 712-04063	
10	723-0448A	1	ROTULE DE DIRECTION 7/16-20	FINISH:GELBVERZINKT	
11	736-0242	1	RONDELLE	FINIS:701-01001	
13	738-04141	1	AXE	FINISH:701-01001	
14	738-0919	1	ARBRE DE DIRECTION 21,57 LG	FINISH:SIEHE ZG.	
15	741-04124	1	BAGUE		
16	741-0475	1	BAGUE PLASTIQUE	741-0475/941-0475	
17	747-04298	1	TRINGLE DE DIRECTION	FINISH:701-01007	
18	748-0389	1	BAGUE	FINISH:GEÖLT	
19	748-04065	1	PATTE DE DIRECTION	FINISH:SCHWARZ LACKIERT	
20	748-04068	1	DOUILLE .71IDX.125 ODX.56 LG	FINISH:701-01000	
21	750-04418	1	DOUILLE .322ID.625ODX.21LG	FINISH:GEÖLT	
22	783-04644	1	PLAQUE	FINISH:PHOS & OIL OR 701-01000	

www.emc-motoculture.com

RS 135-107/13A3762G600 (2007)/Essieu avant



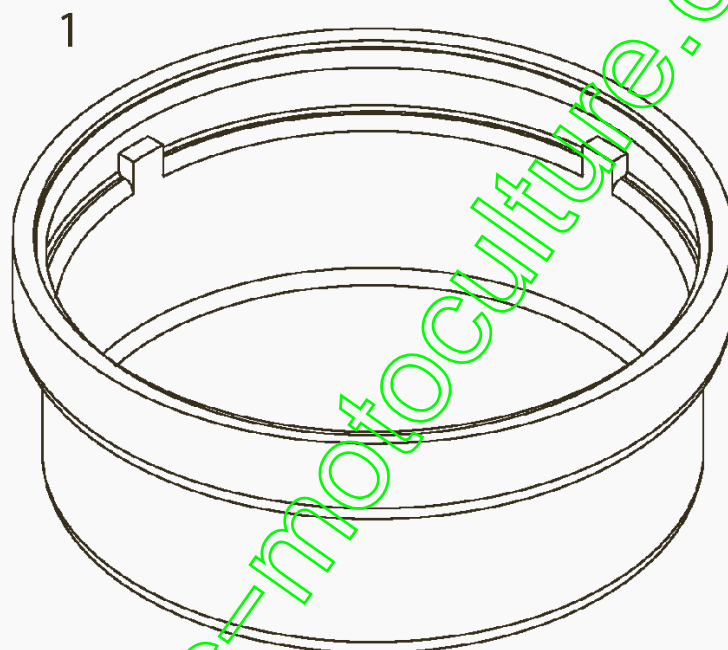
E3-02701A-01

Essieu avant

Position	Partnumber	Quantity	Designation	Standard	Additional
1	638-04007	1	638-04007-0637	LT-5: SCHWEISSST. 638-04007-0637	
2	638-04008	1	638-04008-0637	638-04008-0637	
3	683-0128B637	1	ESSIEU AVANT	SCHWARZ GEPULVERT	
4	710-0726	4	VIS	FINISH: 701-01002	
5	712-04065	2	ECROU	FINISH: 701-01000 912-04065	
6	714-04039	2	EPINGLE	FINISH: PHOS & OIL	
7	714-0470	2	EPINGLE EX AF-43010	FINISH: PHOS & OIL 470 32 32	
8	726-0341	1	CLIPS CAPUCHON	FINISH: SCHWARZ	
9	731-04057A	2	PALIER DE GRAISSAGE	LT5	
10	736-0316	2	RONDELLE 1.78XA1.59"	FINISH: 701-01000	
12	738-04128	2	VIS .5000X2.380:3/8-16	FINISH: MTD STD 701-01000	
13	741-0660A	4	BAGUE: .760 x .941 x 1.0	FINISH: SCHWARZ	
14	747-04299A	1	FINISH: 701-01000	FINISH: 701-01000	
15	783-04601B-S	1	SCHWARZ LACKIERT	SCHWARZ LACKIERT	

www.emc-motoculture.com

RS 135-107/13A3762G600 (2007)/Enjoliveurs



E3-02002B-01

www.emc-motoculture.com

Enjoliveurs

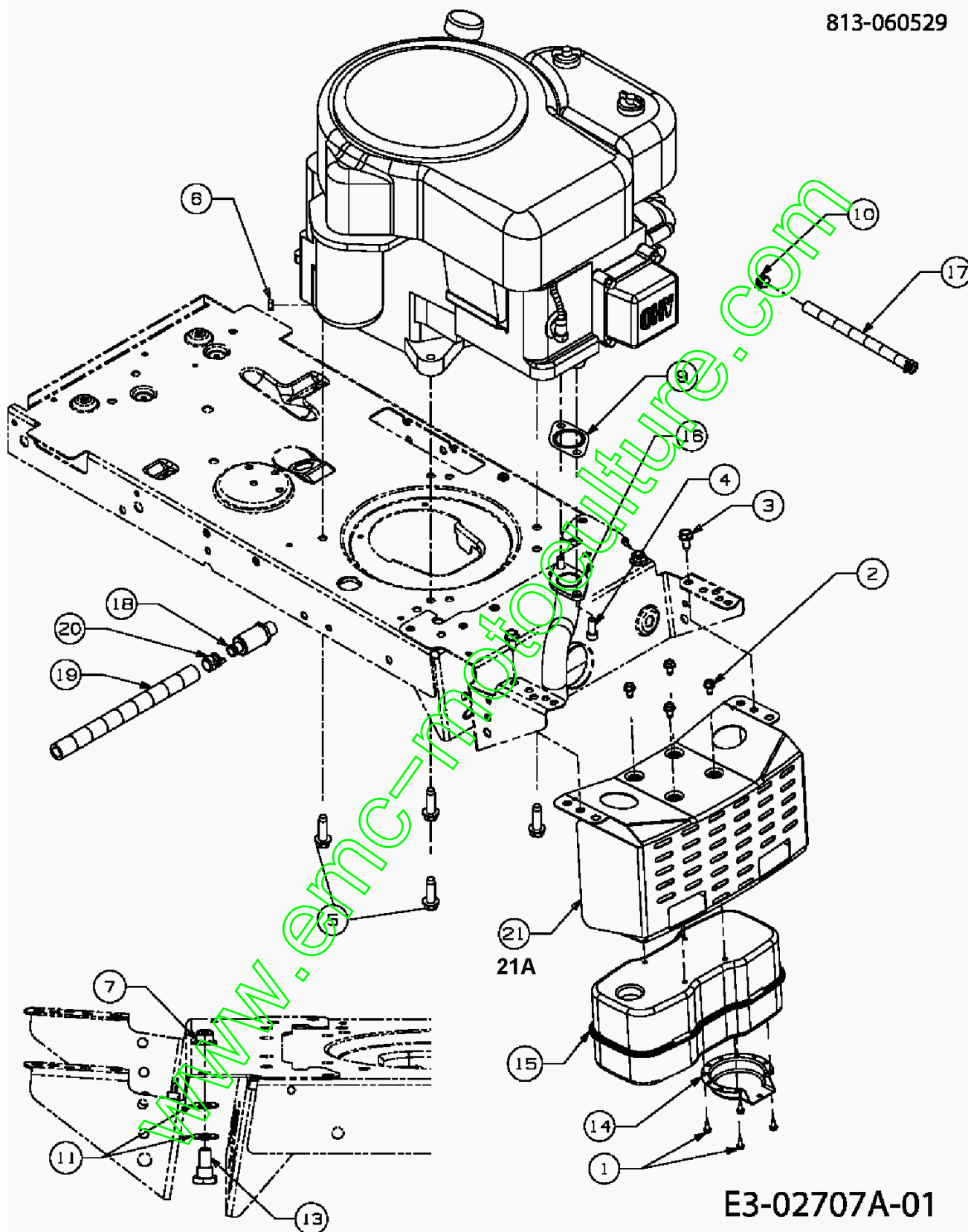
Position	Partnumber	Quantity	Designation	Standard	Additional
1	731-0484A	2	ENJOLIVEUR	FINISH: SCHWARZ 931-0484A	

www.emc-motoculture.com

RS 135-107/13A3762G600 (2007)/Accessoires moteur

Motorzubehör TEC SNGL OHV 180 (3)

813-060529



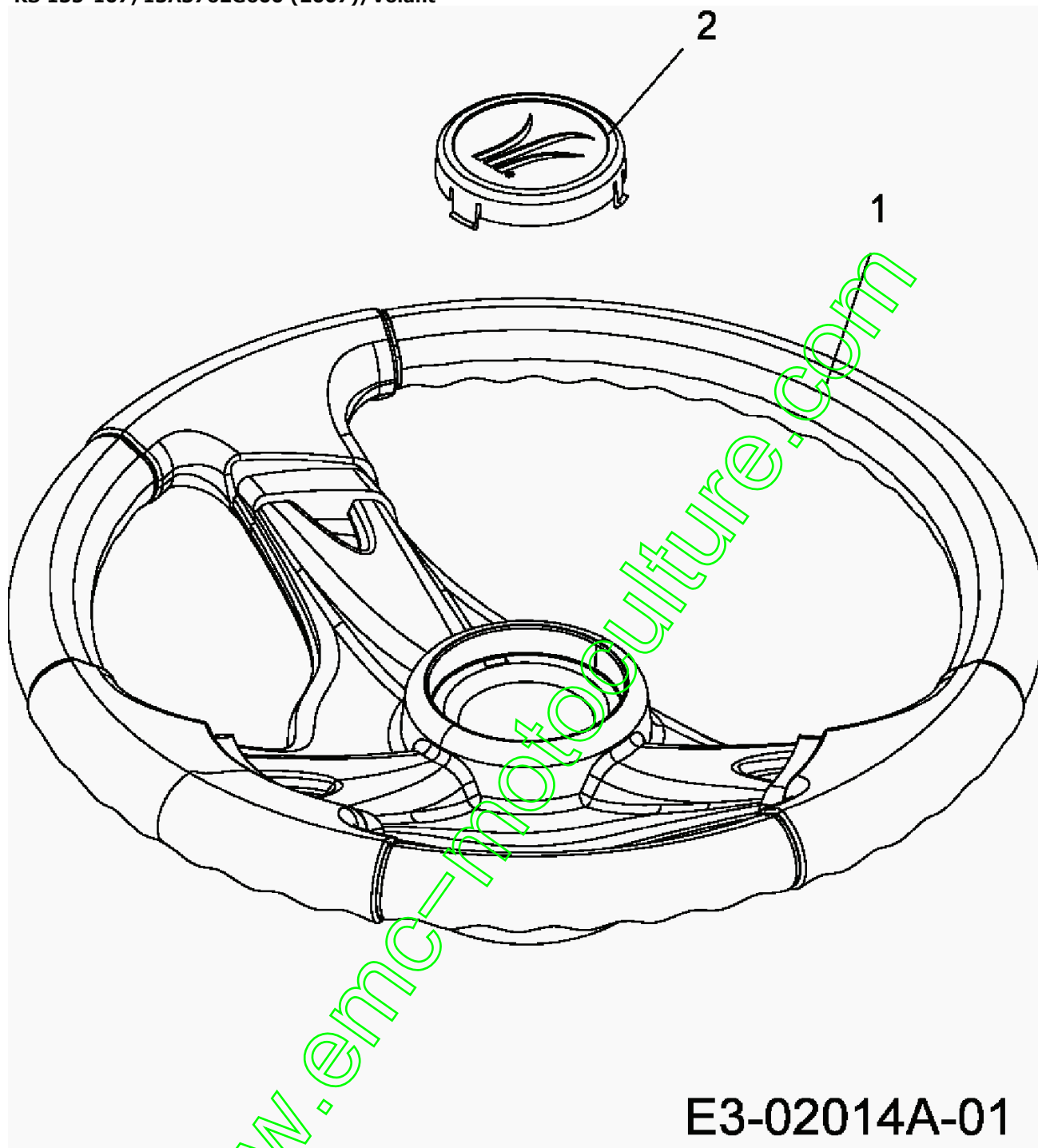
E3-02707A-01

Accessoires moteur

Position	Partnumber	Quantity	Designation	Standard	Additional
1	710-0227	4	VIS	FINISH:701-01002	
2	710-0599	4	VIS IDEM A 710-1005	FINISH:701-01002	
3	710-0726	2	VIS	FINISH:701-01002	
4	710-1314A	2	VIS	GR.8 FINISH:PHOS & OIL	
5	710-1315	4	VIS	FINISH:MTD SPEC-701-01002	
6	712-0271	1	ECROU	FINISH:701-010015	
7	712-04065	1	ECROU	FINISH:701-01000 912-04065	
9	721-0348	1	JOINT POUR COLLECTEUR	TECUMSEH OHV16HP	
10	726-0205	2	CLIPS	FINISH:PHOS UND GELB LACKIERT	
11	736-0300	2	RONDELLE .406X.875 X .059	FINISH:MTD SPEC-100015	
13	738-0143	1	AXE	FINISH:701-01000	
14	751-0564B	1	MATERIAL:ALUMINIERTER STAHL	MATERIAL:ALUMINIERTER STAHL	
15	751-0617B	1	AUSPUFFTOPF:SINGLE INLET		
16	751-0620A	1	AUSPUFFKRÜMMER:SINGLE TEC 16HP		
17	751-0535	1	TUYAU ESSENCE	Ø12,7+/-5.84 / Ø6,35+/-0,41	
18	751-3140	1	EMBOUT DE VIDANGE	FINISH:SIEHE ZG. 951-3140	
19	751-3141	1	CHAMBRE AIR 260X		
20	751-3142	1	BOUCHON VIDANGE	FINISH:GELB 951-3142	
21	783-0615D637	1	FINISH:PAINT / SCHWARZ LACKIER	FINISH:PAINT / SCHWARZ LACKIER	
21A	783-0615D638	1	FINISH:PAINT / ROD LACKIERT	FINISH:PAINT / ROD LACKIERT	

www.emc-motoculture.com

RS 135-107/13A3762G600 (2007)/Volant



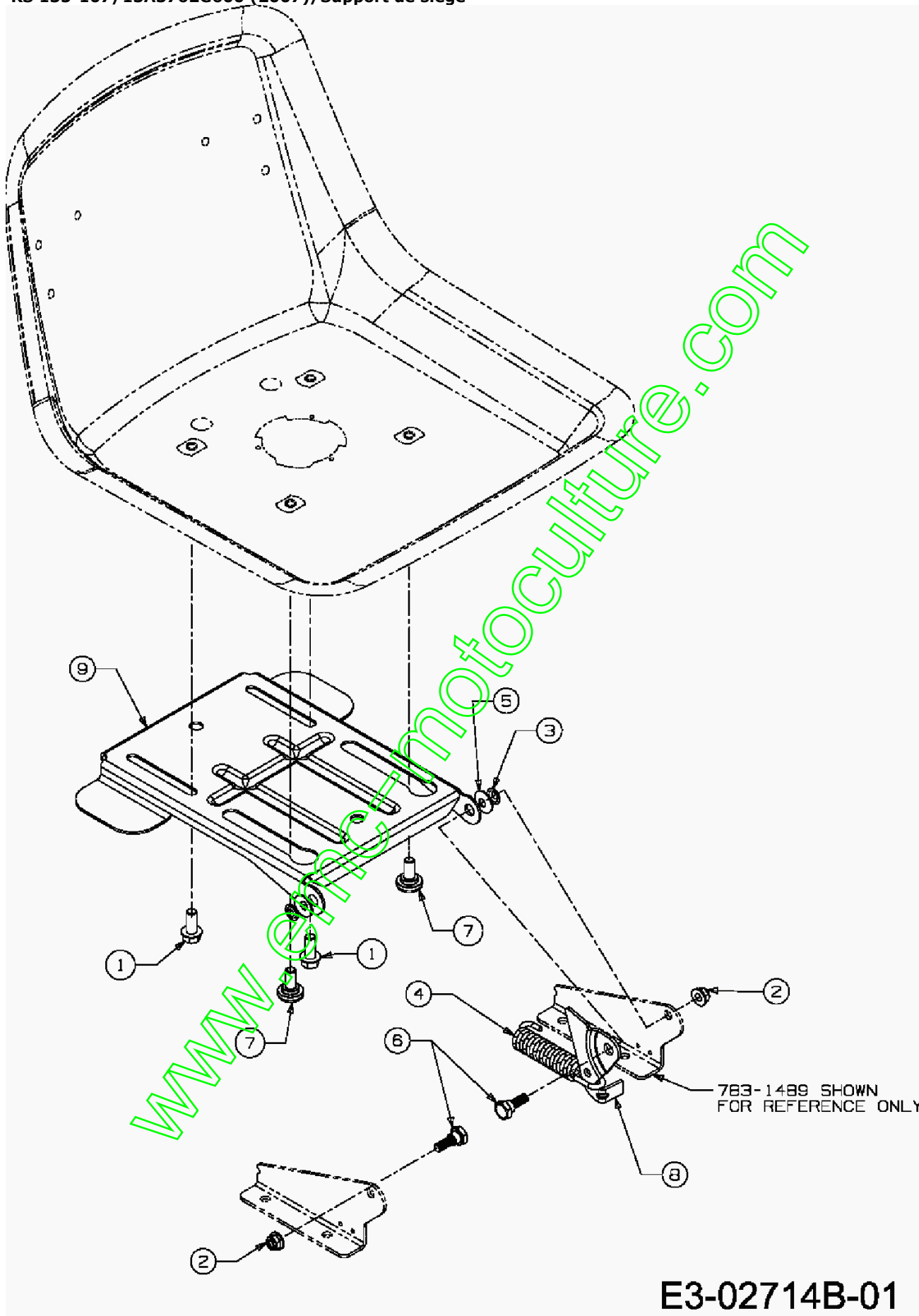
E3-02014A-01

Volant

Position	Partnumber	Quantity	Designation	Standard	Additional
1	631-04028	1	VOLANT		
2	731-04040	1	COUVERCLE DE VOLANT		

www.emc-motoculture.com

RS 135-107/13A3762G600 (2007)/Support de siège

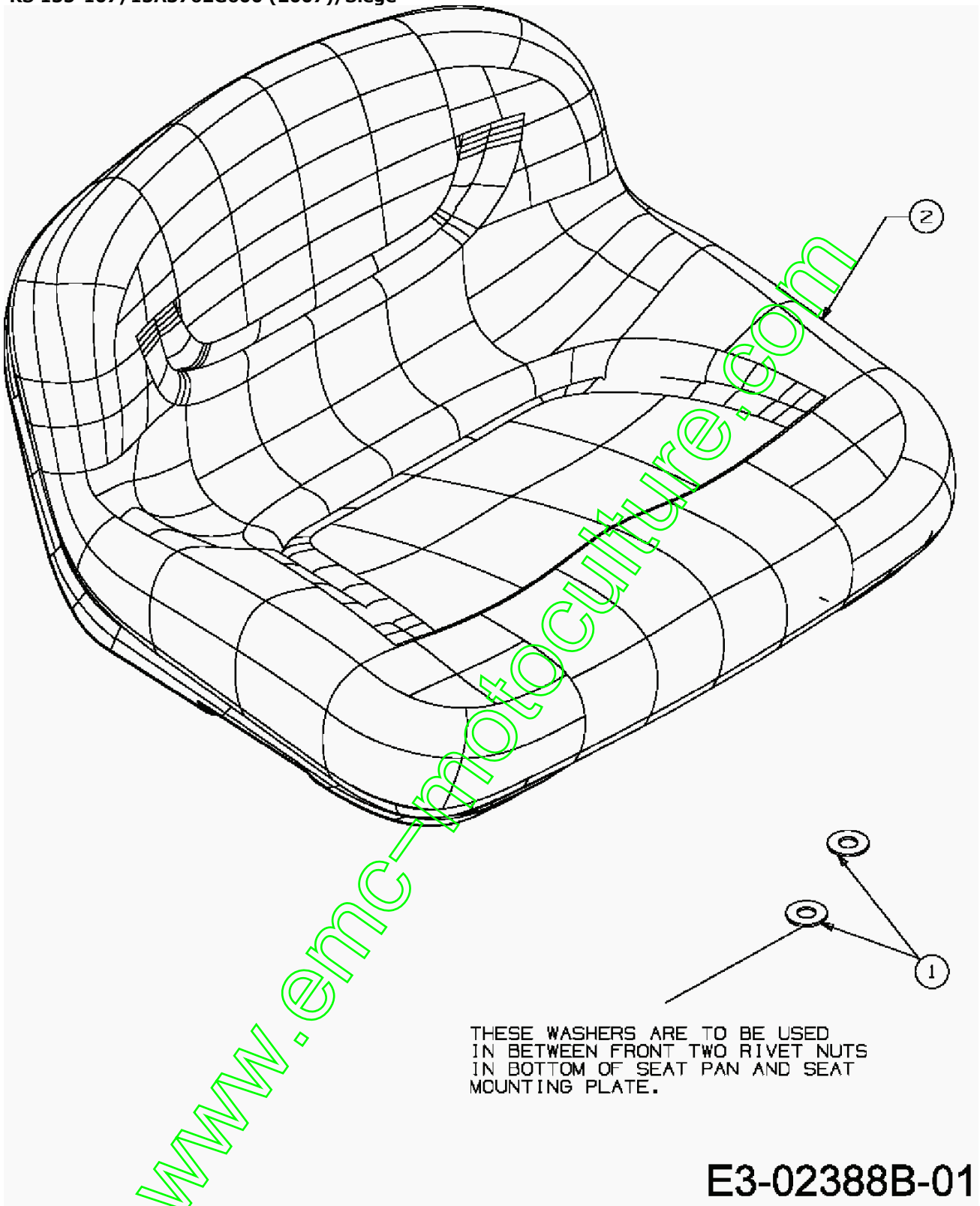


Support de siège

Position	Partnumber	Quantity	Designation	Standard	Additional
1	710-04482	2	FINISH:701-01000	FINISH:701-01000	
2	712-04063	2	ECROU	FINISH:701-01000 712-04063	
3	726-0201	2	CLIPS	FINISH:701-01001	
4	732-1184	1	RESSORT	500er:FINISH:MTD STD 701-01000	
5	736-0242	2	RONDELLE	FINIS:701-01001	
6	738-0296	2	VIS	FINISH:701-01000	
7	738-04012A	2	FINISH:SIEHE ZG.	FINISH:SIEHE ZG.	
8	783-0209D	1	FINISH:VERZINKT SIEHE ZG.	FINISH:VERZINKT SIEHE ZG.	
9	783-04081B	1			

www.emc-motoculture.com

RS 135-107/13A3762G600 (2007)/Siège

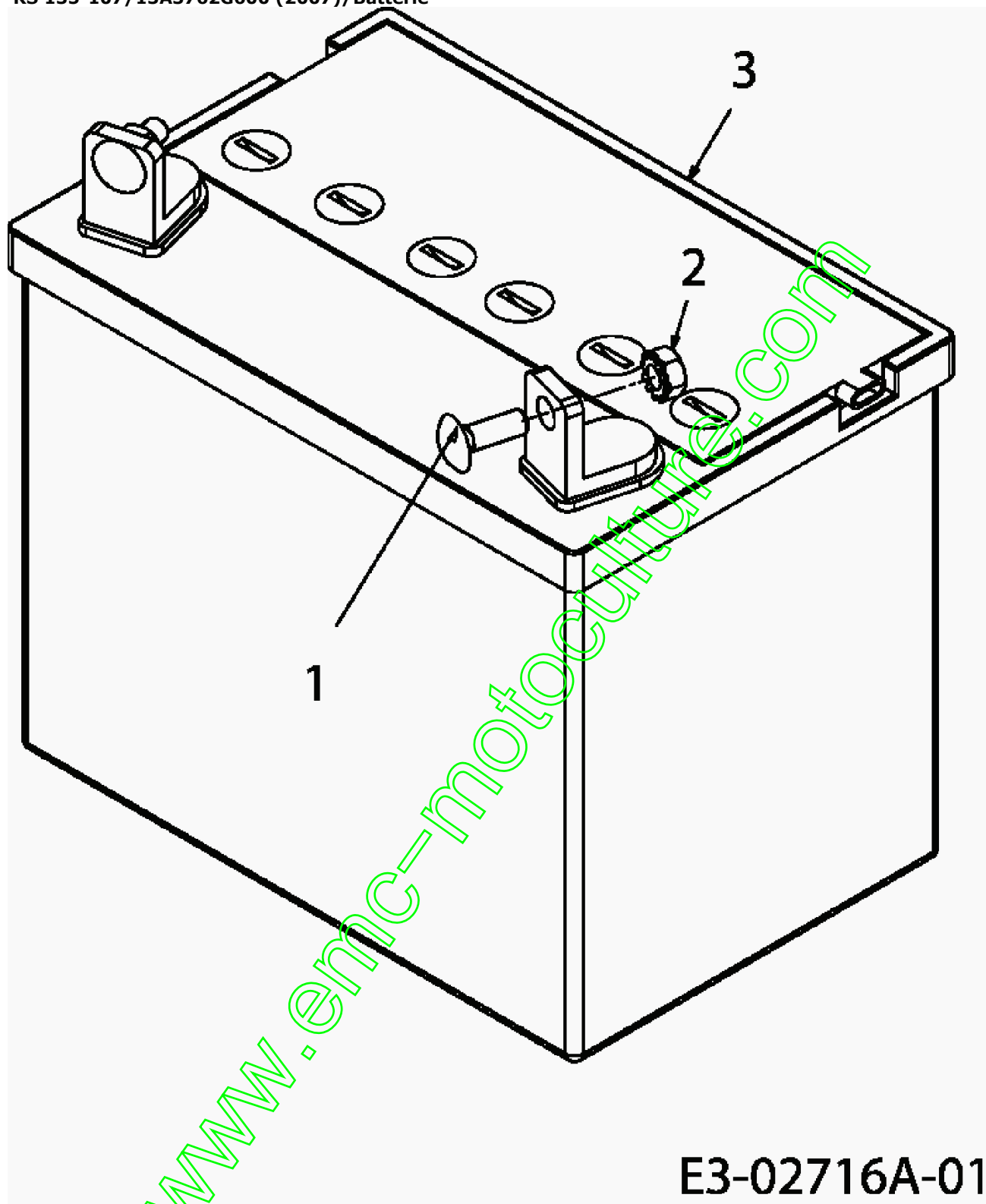


Siège

Position	Partnumber	Quantity	Designation	Standard	Additional
1	736-0300	2	RONDELLE .406X.875 X .059	FINISH:MTD SPEC-100015	
2	757-04001A	1	757-04001A	757-04001A	

www.emc-motoculture.com

RS 135-107/13A3762G600 (2007)/Batterie



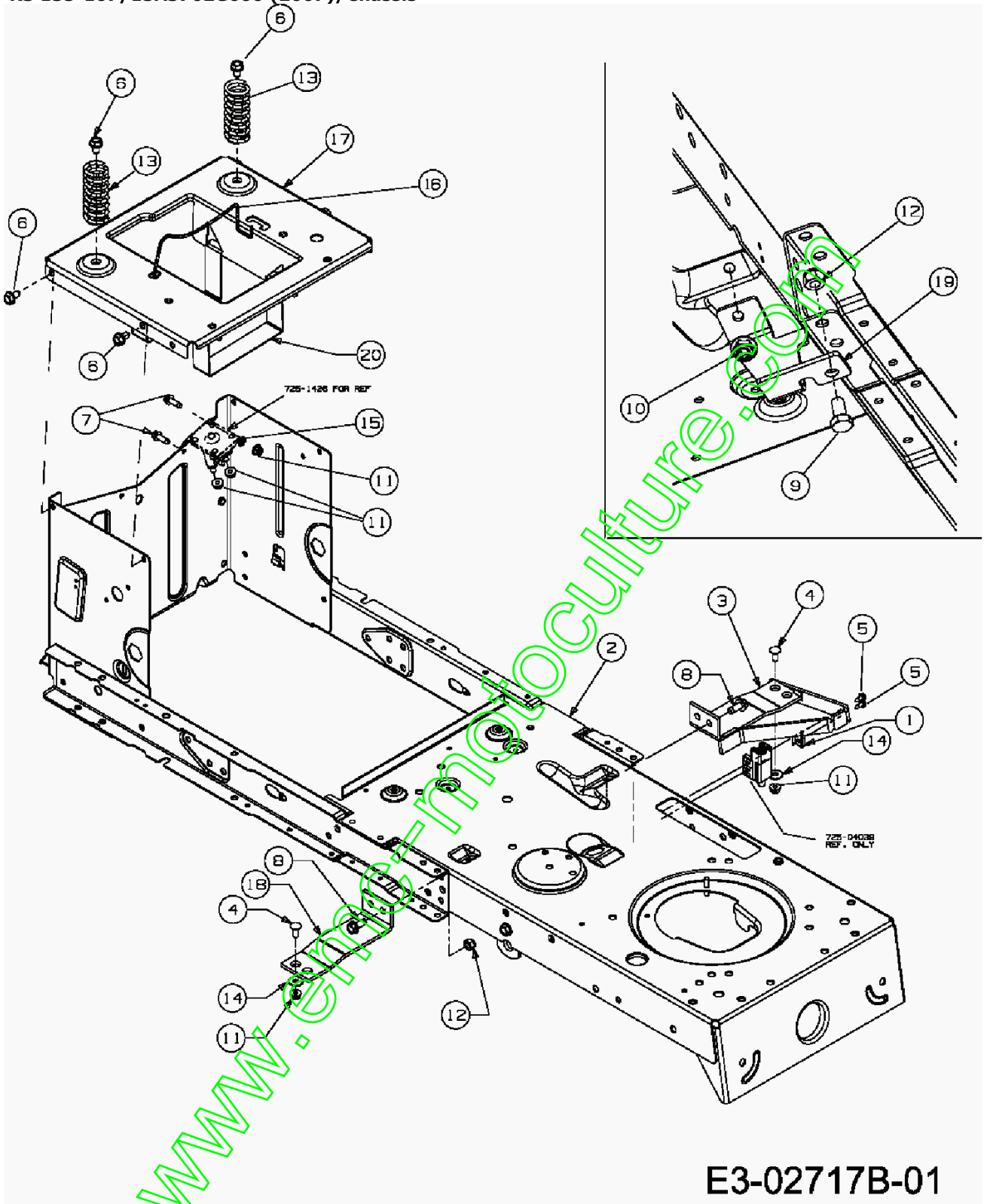
E3-02716A-01

Batterie

Position	Partnumber	Quantity	Designation	Standard	Additional
1	710-0703	2	VIS	FINISH:701-01000	
2	712-0271	2	ECROU	FINISH:701-010015	
3	725-2057A	1	BELÜFTUNG OBEN OHNE SÄURE	BELÜFTUNG OBEN OHNE SÄURE	

www.emc-motoculture.com

RS 135-107/13A3762G600 (2007)/Chassis



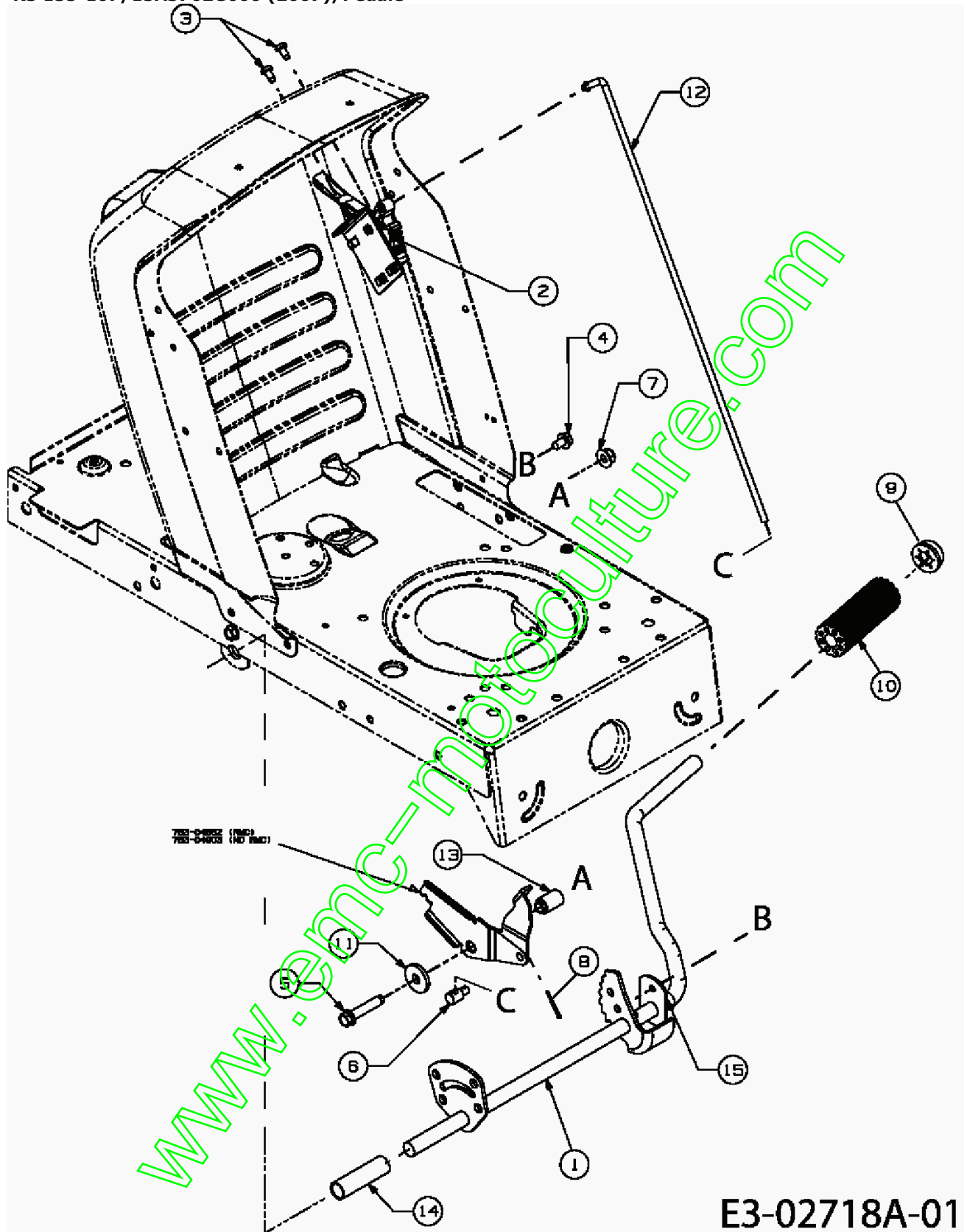
E3-02717B-01

Chassis

Position	Partnumber	Quantity	Designation	Standard	Additional
1	17962	1	PLAQUETTE	17962	
2	683-04163B	1			
3	683-04195	1			
4	710-0134	2	ECROU ROND 1/4-20x.62"	FINISH:701-01000	
5	710-0224	2	VIS	FINISH:701-01002	
6	710-0604A	6	VIS	FINISH:MTD SPEC-701-01002	
7	710-0642	2	VIS	MTD SPEC-701-01002 910-0642	
8	710-1260A	2	VIS	LAGERGEH.MESSERWELLE:701-01002	
9	710-3008	3	VIS EX WD-900-6053	FINISH:701-01000	
10	712-04063	2	ECROU	FINISH:701-01000 712-04063	
11	712-04064	4	ECROU	FINISH:701-01000 912-04064	
12	712-0429	3	ECROU	FINISH:701-01000	
13	732-04035	2	RESSORT	FINISH:701-01000	
14	736-0173	2	RONDELLE 281DX 74ODX.063	FINISH:701-01000	
15	736-0222	1	RONDELLE	FINISH:701-01001	
16	747-04385	1			
17	783-04548A	1			
18	783-04637	1			
19	783-04753	1			
20	783-04869	1			

www.emc-motoculture.com

RS 135-107/13A3762G600 (2007)/Pedale

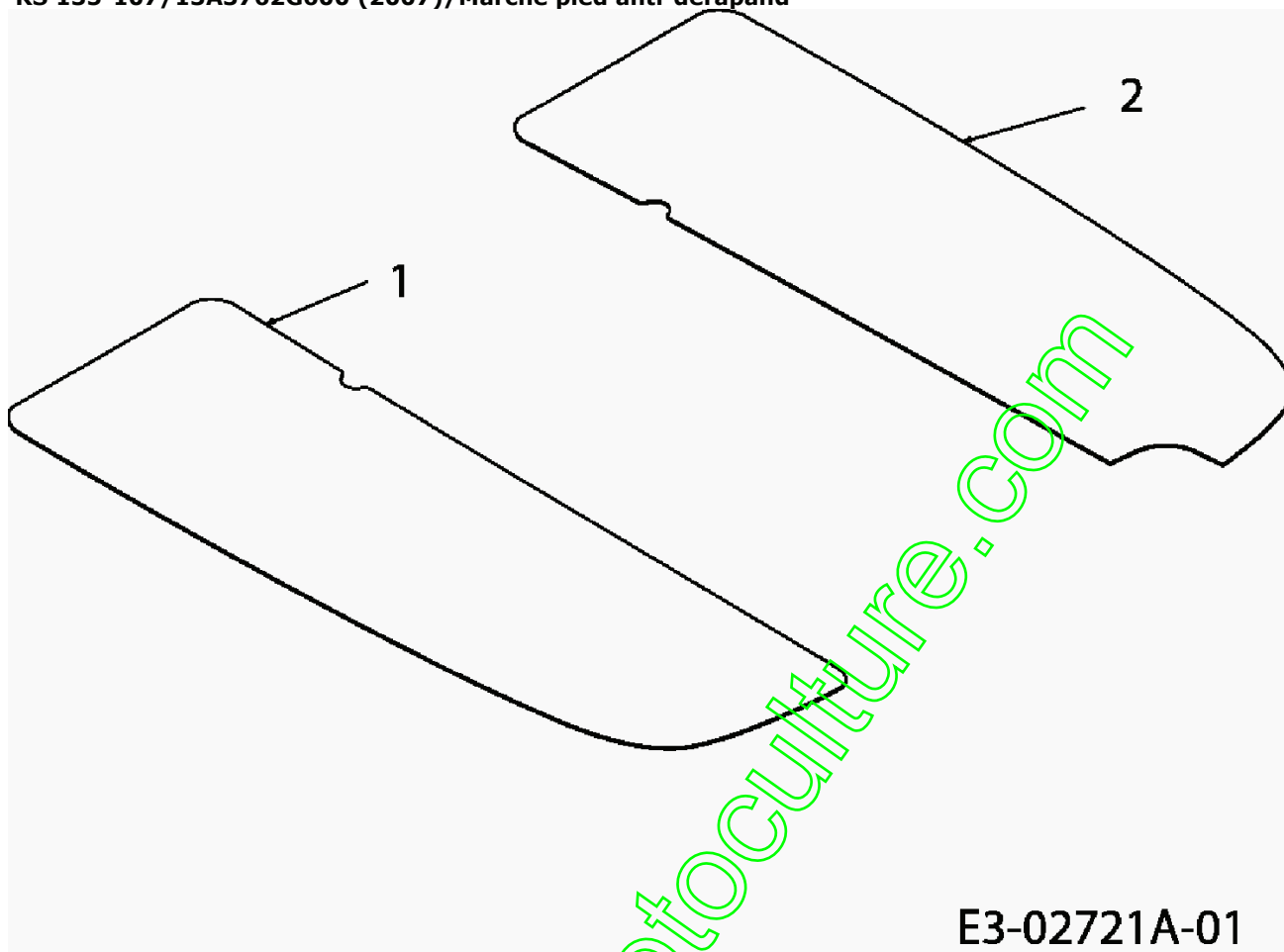


Pedale

Position	Partnumber	Quantity	Designation	Standard	Additional
1	647-04034C-S	1	2	2	
2	683-04225637	1	MANETTE ENCLENC. 6 VITESSE LT5		
3	710-04483	2	VIS:TT:1/4-20:.500:TRUSTRXI	FINISH:MTD SPEC-701-01002	
4	710-0604A	1	VIS	FINISH:MTD SPEC-701-01002	
5	710-1008	1	VIS	HXLWSH FINISH:701-01002	
6	711-0736	1	AXE	FINISH:MTD SPEC 701-01000	
7	712-04065	1	ECROU	FINISH:701-01000 912-04065	
8	714-0111	1	EPINGLE	FINISH:GELBVERZINKT	
9	726-0214	1	BOUCHON COUVERCLE 5/8"	FINISH:SCHWARZ	
10	735-0239	1	CAOUTCHOUC/PEDALE 4;0 LG	FINISH:SCHWARZ	
11	736-0247	1	RONDELLE 40 X 1.25X .157"	FINISH:701-01001	
12	747-04430	1	FINISH:701-01000	FINISH:701-01000 OR 701-010007	
13	750-04465	1	DISTANZHÜLSE .390X.671X1.095		
14	750-0802	1	ENTRETOISE / .640IDX.760DX2.63	FINISH:SCHWARZ	
15	783-04536637	1	SCHWARZ LACKIERT	SCHWARZ LACKIERT	

www.emc-motoculture.com

RS 135-107/13A3762G600 (2007)/Marche pied anti-dérappand

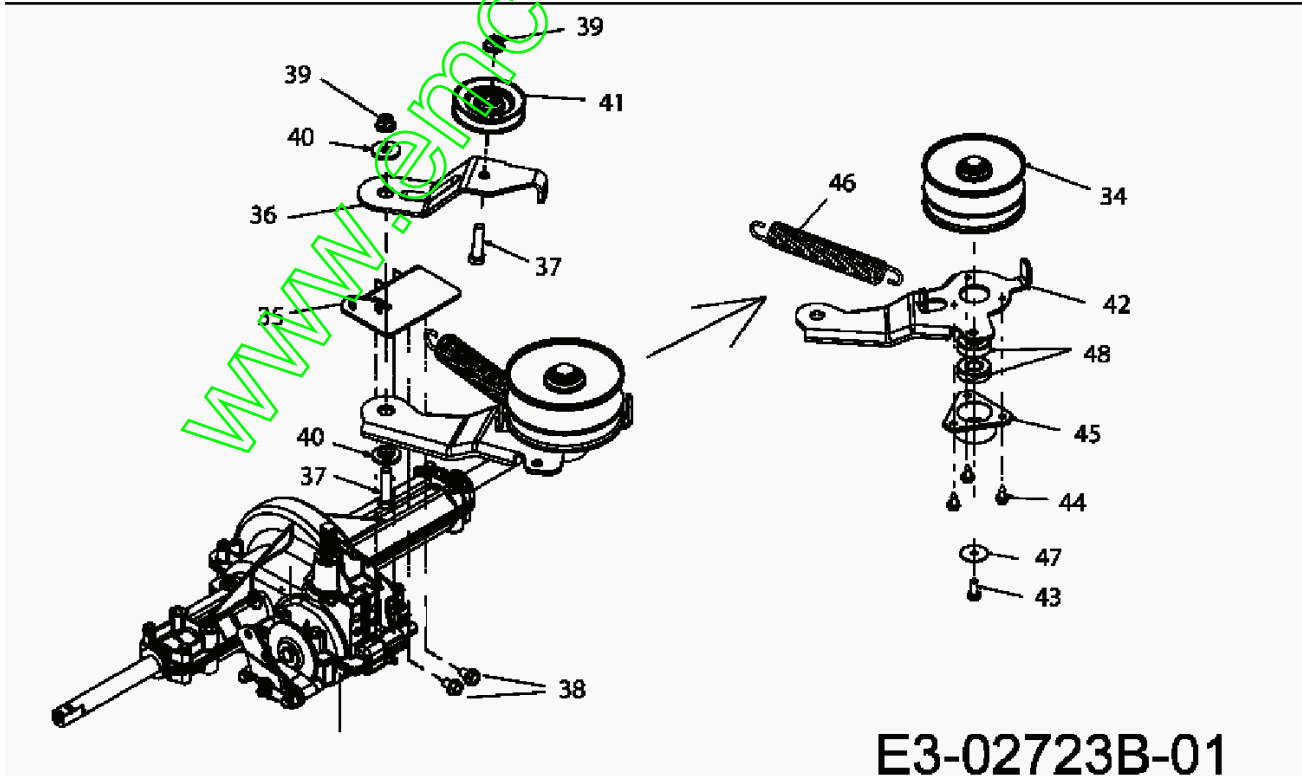
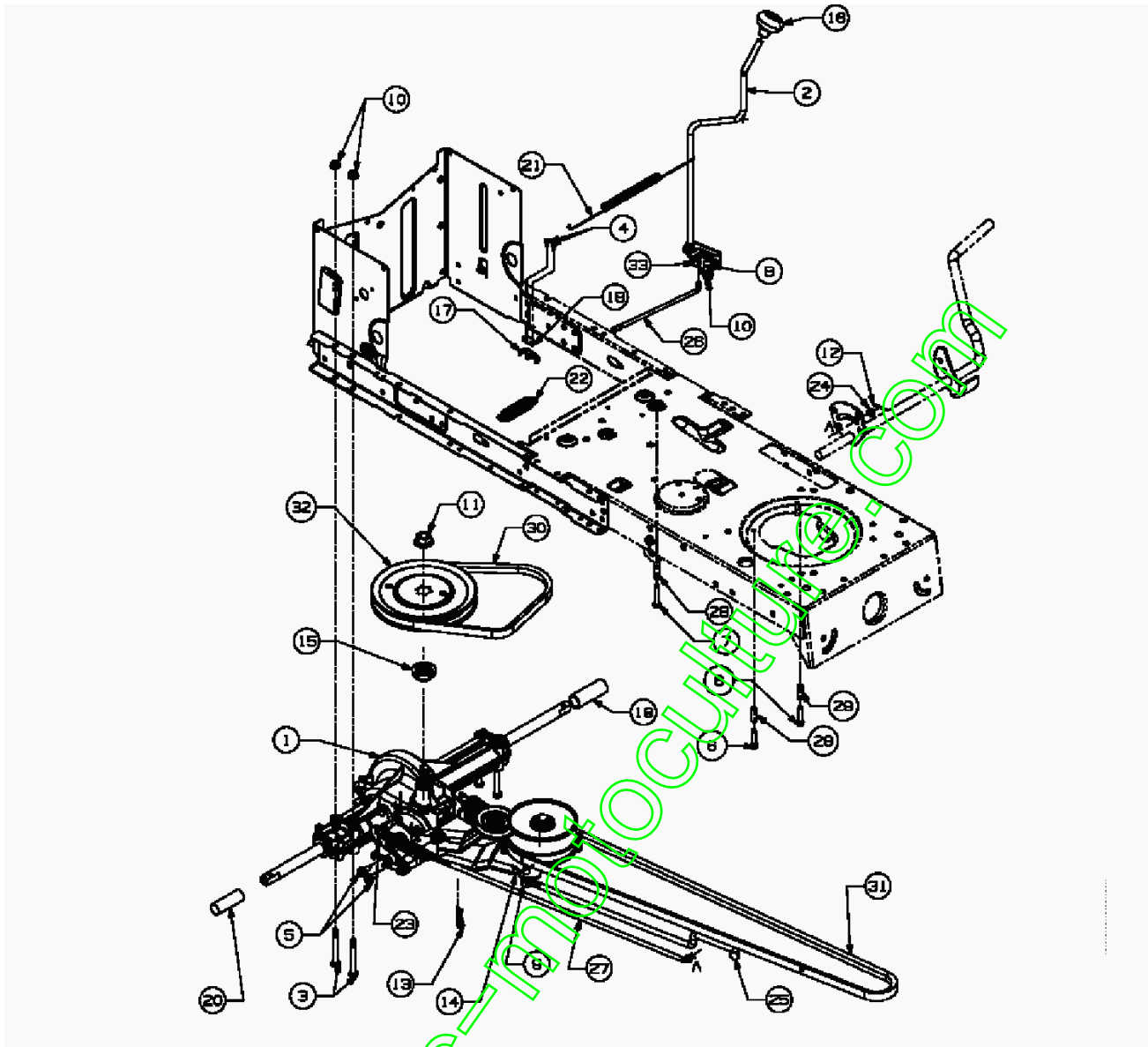


E3-02721A-01

Marche pied anti-dérappand

Position	Partnumber	Quantity	Designation	Standard	Additional
1	723-04025	1	MARCHE PIED DROITE	FARBE: SCHWARZ	
2	723-04026	1	MARCHE PIED GAUCHE	FARBE: SCHWARZ	

www.emc-motoculture.com



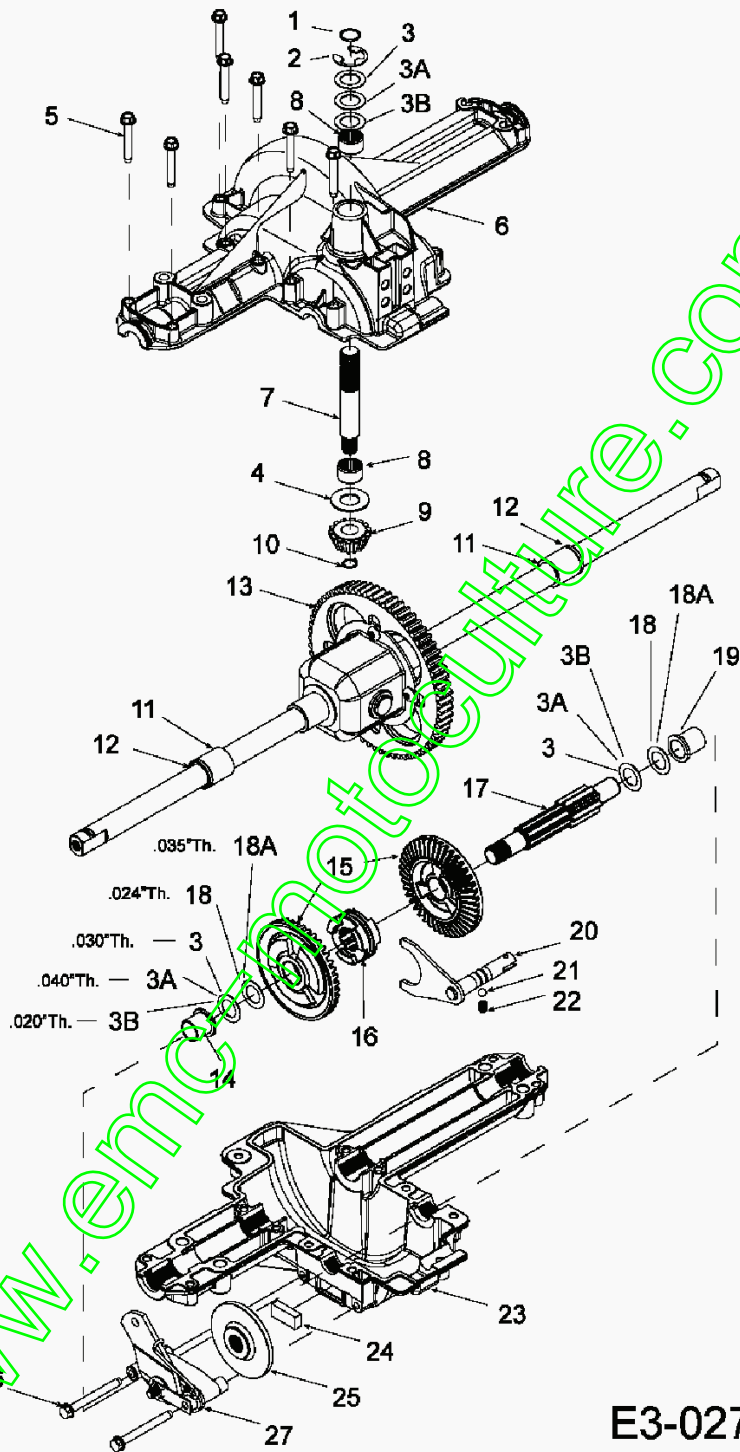
E3-02723B-01

Entrainement

Position	Partnumber	Quantity	Designation	Standard	Additional
1	618-04034	1	PONT COMPLET	618-04034 / 918-04034	
2	647-04035	1	LEVIER INVERSEUR	FINISH:701-01000	
3	710-0176	4	VIS	(21.1441.82) FINISH:701-01000	
4	710-0227	2	VIS	FINISH:701-01002	
5	710-0604A	2	VIS	FINISH:MTD SPEC-701-01002	
6	710-0809	2	VIS	FINISH:MTD SPEC-701-01002	
7	710-1325	1	VIS	FINISH:701-01002	
8	710-3008	1	VIS EX WD-900-6053	FINISH:701-01000	
9	711-04075A	1	EMBOUT	FINISH:MTD SPEC 701-01000	
10	712-04063	5	ECROU	FINISH:701-01000 712-04063	
11	712-0700	1	FINISH:701-01000 912-0700	FINISH:701-01000 912-0700	
12	714-0111	1	EPINGLE	FINISH:GELBVERZINKT	
13	714-0209	1	FINISH:VERZINKT 914-0209	FINISH:VERZINKT 914-0209	
14	714-0470	1	EPINGLE EX AF-43010	FINISH:PHOS & OIL 470 32 32	
15	718-0758A	1	ENTRETOISE DE POULIE	VERZAHNUNG 918-0758A	
16	720-04028	1	POIGNEE INVERSEUR	FINISH:SCHWARZ	
17	725-1644	1	SECURITE	FINISH:VERZINKT SIEHE ZG.	
18	726-0320	1	PLAQUE / ISOLATION	FINISH:NATUR ODER SCHWARZ	
19	731-04602	1	ENTRETOISE		
20	731-04604	1	ENTRETOISE		
21	732-04276A	1	732-04276A	FINISH:701-01006	
22	732-04306	1	RESSORT	FINISH:MTD STD 701-01006	
23	732-0716C	1	RESSORT	FINISH:MTD STD 701-01006	
24	736-0264	1	RONDELLE 330 IDX.0630 X .06	FINISH:701-01000 936-0264	
25	747-04265	1	TRINGLE TENDEUR VARIATEUR	FINISH:701-01000	
26	747-04277	1	TIGE	FINISH:SIEHE ZG	
27	747-04287	1	TIGE DE FREIN	FINISH:701-01000	
28	750-04456	1	DOUILLE	FINISH:VERZINKT SIEHE ZG.	
29	750-0566A	2	ENTRETOISE	FINISH:VERZINKT SIEHE ZG.	
30	754-0241A	1	COURROIE VARIATEUR/BOITE	754-0241A/954-0241A	
31	754-04001A	1	COURROIE	954-04001A	
32	756-04002	1	POULIE	956-04002	
33	783-04595	1	SUPPORT DE LEVIER	FINISH:701-01000	
34	656-04015	1	POULIE VARIATEUR	4.75 OD	
35	683-04176A	1			
36	683-04207	1	SCHWARZ	SCHWARZ	
37	710-0520	1	VIS	FINISH:701-01000	
38	710-0604A	2	VIS	FINISH:MTD SPEC-701-01002	
39	712-04065	2	ECROU	FINISH:701-01000 912-04065	
40	738-0347	2	DOUILLE/ ENTRETOISE / 625 X 1	FINISH:	
41	756-04213	1	SCHWARZ LACKIERT ODER VERZINKT	SCHWARZ LACKIERT ODER VERZINKT	
42	683-04206	1	BRKT ASM:VARI:REAR LT-5	683-04206 SCHWARZ	
43	710-0627	1	VIS	FINISH:701-01000	
44	710-1652	3	VIS	FINISH:MTD-SPEC-701-01002	
45	718-04012	1	CAGE DE ROULEMENT	FINISH:ROSTSCHUTZ	
46	732-04076A	1	RESSORT	FINISH:701-01000	
47	736-0362	1	RONDELLE .320ID X 1.25 ODX .0	FINISH:701-01001	
48	741-0600	2	ROULEMENT	741-0600/941-0600	

RS 135-107/13A3762G600 (2007)/Boite de vitesse

28



E3-02743A-01

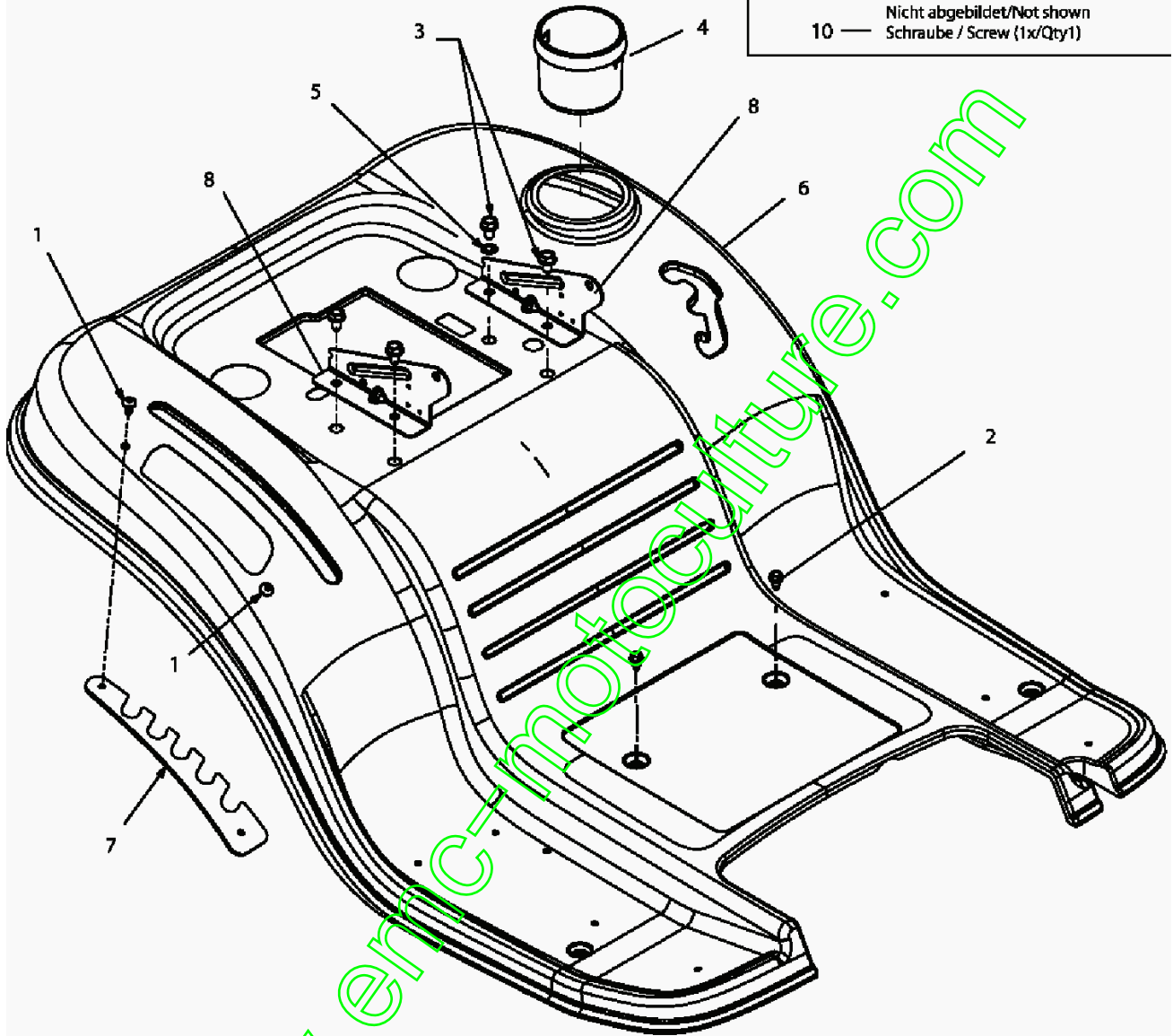
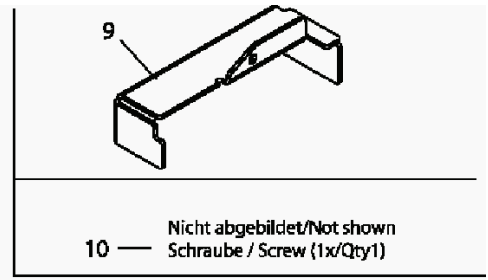
Boite de vitesse

Position	Partnumber	Quantity	Designation	Standard	Additional
1	732-0614		CLIPS RESSORT	FINISH:ZINC PHOSPHATE	
2	716-0231		CIRCLIPS	FINISH:PHOS & OIL 916-0231	
3	736-0336		RONDELLE 5/8X1.00X.030	ZINC SIEHE ZG.	
3A	736-0337		RONDELLE 5/8 IDX1.0 ODX.040	FINISH:701-01001 936-0337	
3B	736-0349		RONDELLE 5/8 IDX10 OD X .020	FINISH:SIEHE ZG.	
4	736-0335		RONDELLE 1 5/8XA1.25"X.06	736-0335	
5	710-1325		VIS	FINISH:701-01002	
6	719-04017		919-04017 RB 918-04168	919-04017 RB 918-04168	
7	711-1109		ARBRE INPUT	711-1109	
8	741-0335		ROULEMENT 1,5/8X1/2" LG	741-0335 / 941-0335	
9	717-1464		ROUE 14 DENTS	717-1464	
10	716-0108		CLIPS	716-0108/916-0108	
11	741-0340		DOUILLE 1,3/4X1,0" lg	741-0340 / 941-0340	
12	721-0338		JOINT	.75x1.00x.125	
13	618-04041		618-04041	618-04041	
14	741-0336		SUPPORT DE BRIDE 1.5/8X3/4"	FINISH:SIEHE ZG. 941-0336	
15	717-04056		KEGELRAD:42 ZÄHNE		
16	718-04045		718-04045	718-04045	
17	711-04134				
18	736-0495		RONDELLE 5/8X1X.25	FINISH:SIEHE ZG. 936-0495	
18A	736-0494		RONDELLE	FINISH:SIEHE ZG.	
19	741-0337		SUPPORT DE BRIDE 1.5/8X15/16"	741-0337 / 941-0337	
20	611-0011		FOURCHETTE	611-0011 / 911-0011	
21	741-0862		BILLE	741-0862	
22	732-0863		RESSORT 225 x 50 "	732-0863 / 932-0863	
23	719-04018		CARTER INFERIEUR	719-04018 / 919-04018	
24	717-0678		PLAQUETTE DE FREIN	917-0678	
25	761-0202		DISQUE / FREIN	FINISH:ÖL UND FETTFREI	
26	710-1206		VIS	FINISH:MTD SPEC-701-01002	
27	661-0001		661-0001 / 961-0001	661-0001 / 961-0001	
28	618-04034		PONT COMPLET	618-04034 / 918-04034	

www.emc-motoculture.com

RS 135-107/13A3762G600 (2007)/Support de siège,Transmatic

Sitzwanne Transmatic
Fender Sngl.Speed



E3-02725A-01

www.eric-motoculture.com

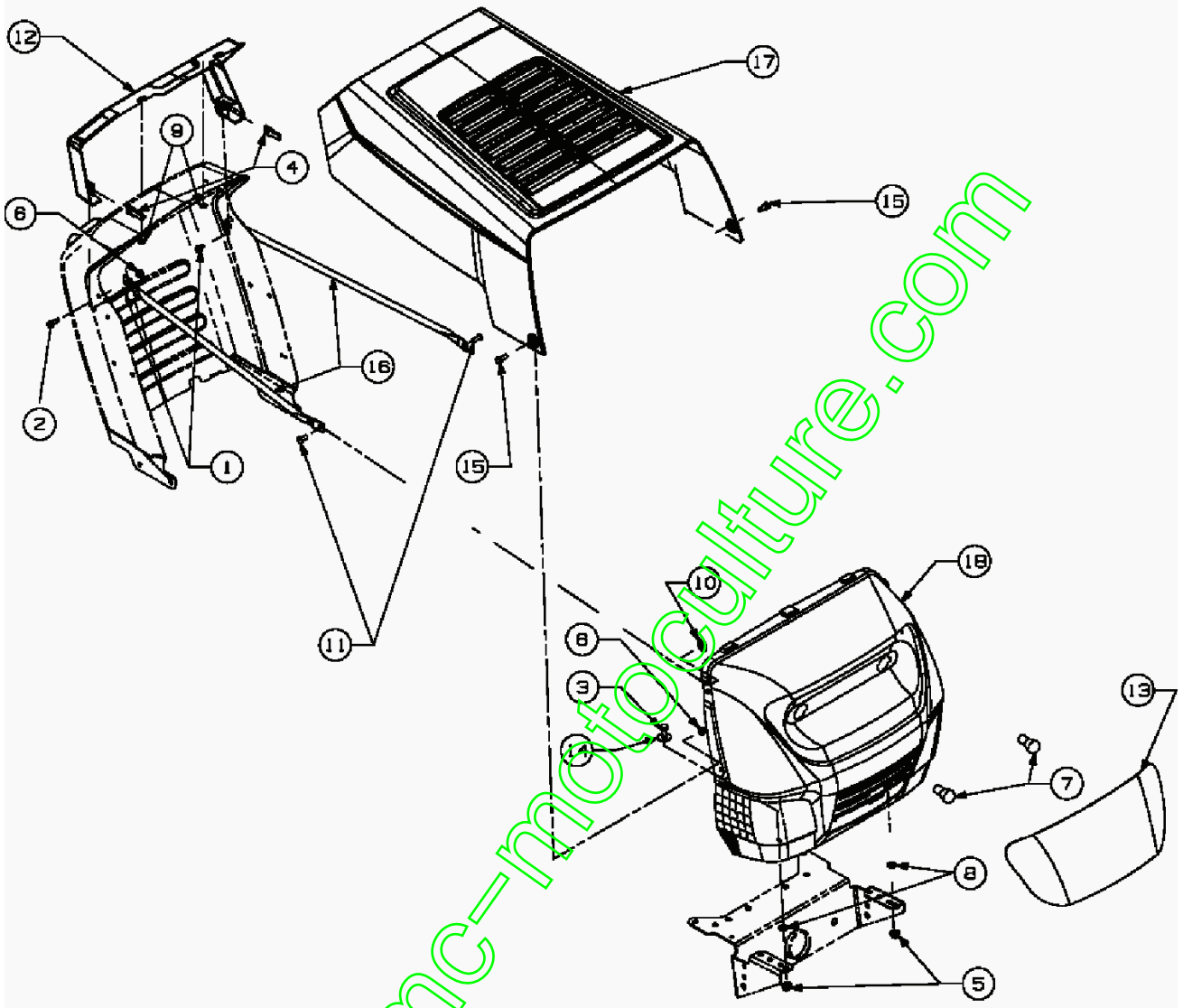
Support de siège, Transmatic

Position	Partnumber	Quantity	Designation	Standard	Additional
1	710-04483	1	VIS:TT:1/4-20:.500:TRUSTRXI	FINISH:MTD SPEC-701-01002	
2	710-0599	2	VIS IDEM A 710-1005	FINISH:701-01002	
3	710-1611B	4	VIS	FINISH:MTD SPEC-701-01002	
4	731-04591A	1	BOUCHON	SCHWARZ	
5	736-0607	1	RONDELLE	FINISH:701-01001	
6	783-04587	1			
7	783-04732	1	VERSTELLPLATTE DECK LT-5	LACKIERT	
8	783-1489C	2			
9	783-04877	1			
10	710-0224	1	VIS	FINISH:701-01002	

www.emc-motoculture.com

RS 135-107/13A3762G600 (2007)/Capot moteur 2-Style

STYLE 2



E3-02728A-01

www.emc-motoculture.com

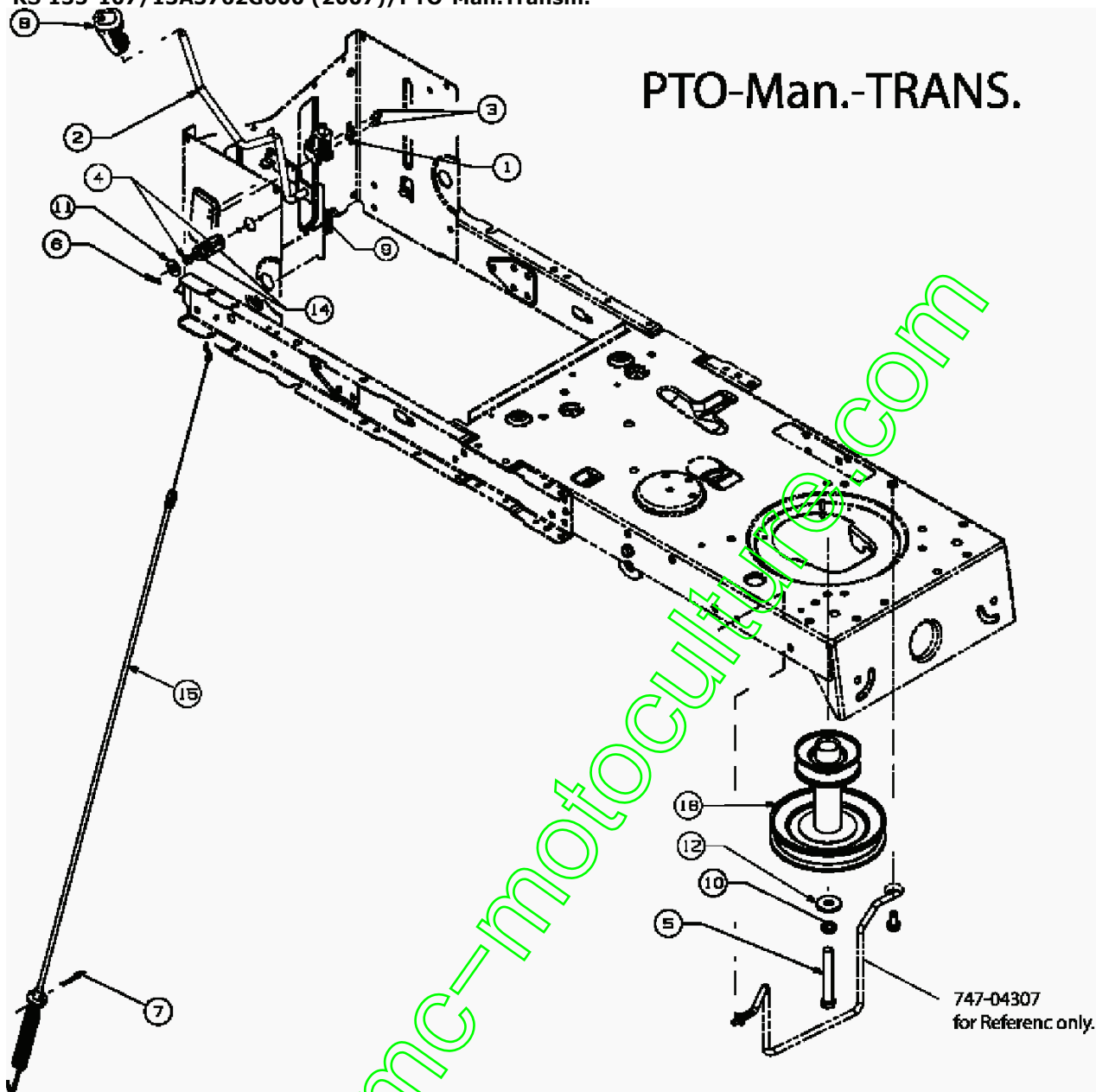
Capot moteur 2-Style

Position	Partnumber	Quantity	Designation	Standard	Additional
1	710-0599	2	VIS IDEM A 710-1005	FINISH:701-01002	
2	710-0642	2	VIS	MTD SPEC-701-01002 910-0642	
3	710-3008	2	VIS EX WD-900-6053	FINISH:701-01000	
4	712-0185	2	ECROU DEN TÔLE TYPE U 1/4-20	712-0185	
5	712-04063	2	ECROU	FINISH:701-01000 712-04063	
6	712-04064	4	ECROU	FINISH:701-01000 912-04064	
7	725-0963	2	AMPOULE DE PHARE		
8	726-0201	2	CLIPS	FINISH:701-01001	
9	726-0233	2	BOUCHON	FINISH:SIEHE ZG.	
10	726-04012	2	RONDELLE AUBLOQUANTE	FINISH:PHOS & OIL 926-04012	
11	728-0162	2	RIVET	FINISH:PHOS & OIL	
12	731-05012	1	CACHE T.B	FINISH:SCHWARZ	
13	731-1503A	1	OPTIQUE DE PHARE	FINISH:KLAR	
14	736-3078	2	RONDELLE	FINISH:701-01001	
15	738-0952A	2	VIS	FINISH:701-01000	
16	749-04220	2	BARRE DE SUPPORT CALANDRE		
17	783-04608	1	CAPOT STYLE 2	FINISH:LACKIERT	
18	783-04979638	1	MTD ROT	MTD ROT	

www.emc-motoculture.com

RS 135-107/13A3762G600 (2007)/PTO-Man.Transm.

PTO-Man.-TRANS.



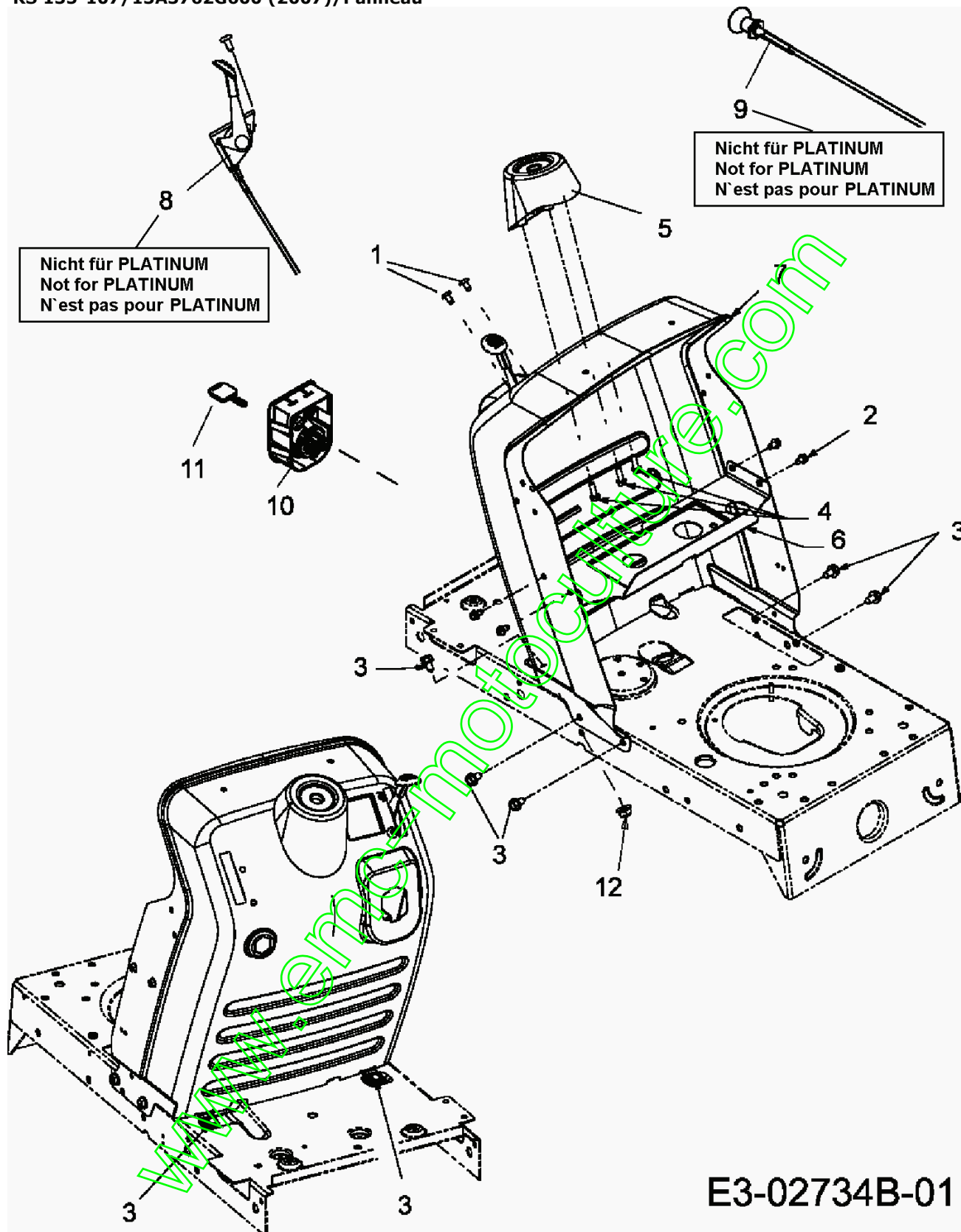
E3-02732B-01

PTO-Man. Transm.

Position	Partnumber	Quantity	Designation	Standard	Additional
1	17962	1	PLAQUETTE	17962	
2	647-04096	1			
3	738-04237	2	VIS	FINISH:701-01002	
4	710-0599	2	VIS IDEM A 710-1005	FINISH:701-01002	
5	710-3157A	1	LOCK FINISH:701-01000	LOCK FINISH:701-01000	
6	714-0104	1	GOUPILLE 5/16 "	FINISH:PHOS AND OIL	
7	714-0145	1	GOUPILLE	FINISH:SIEHE ZG.	
8	720-04049	1	POIGNEE PLASTIQUE	FINISH:SIEHE ZG.	
9	732-04276	1	RESSORT	FINISH:PHOS & OIL	
10	736-0171	1	RONDELLE 7/16"	FINISH:701-01001	
11	736-0300	1	RONDELLE .406X.875 X .059	FINISH:MTD SPEC-100015	
12	736-0322	1	RONDELLE .450 X 1.250 X .164	936-0322 / FINISH:701-01001	
14	741-04119	2	ROULEMENT		
15	746-04173B	1	LT-5		
16	756-04196	1	POULIE MOTEUR	3.39 X 6.12 DIA TRANS	

www.emc-motoculture.com

RS 135-107/13A3762G600 (2007)/Panneau



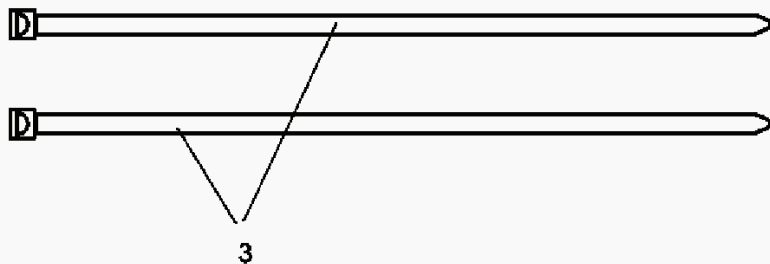
Panneau

Position	Partnumber	Quantity	Designation	Standard	Additional
1	710-04483	2	VIS:TT:1/4-20:.500:TRUSTRXI	FINISH:MTD SPEC-701-01002	
2	710-0599	4	VIS IDEM A 710-1005	FINISH:701-01002	
3	710-0604A	6	VIS	FINISH:MTD SPEC-701-01002	
4	710-0895	3	VIS	FINISH:701-01002	
5	731-04945	1	SUPPORT VOLANT		
6	783-04584	1	HALTEBLECH:BENZINTANK		
7	783-04873	1	TABLEAU DE BORD	FINISH:LACKIERT	
8	746-04358	1	CABLE ACCELERATEUR	746-04358	n`est pas utiliser dans models Platinum
9	746-1089	1	29.0 LG x 1.50 EXT	29.0 LG x 1.50 EXT	n`est pas utiliser dans models Platinum
10	725-1741	1	CONTACTEUR A CLE	725-1741/925-1741	
11	725-1744	1	CLE DE CONTACT		
12	712-04063	1	ECROU	FINISH:701-01000 712-04063	

www.emc-motoculture.com

RS 135-107/13A3762G600 (2007)/Assortiment électrique

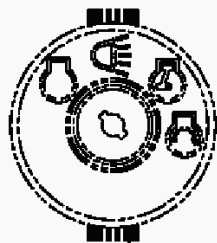
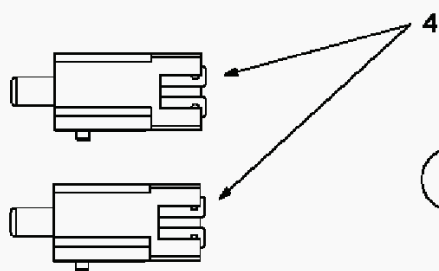
725-0157 TO SECURE HEADLIGHT LEAD
WIRE & (11) TO SECURE HARNESS TO HITCH BOX



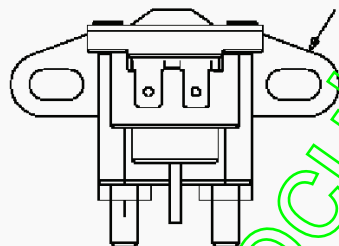
Nicht abgebildet / Not shown

Kabelbaum /
Harness B&S - TEC

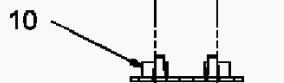
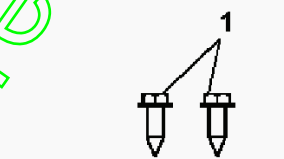
5



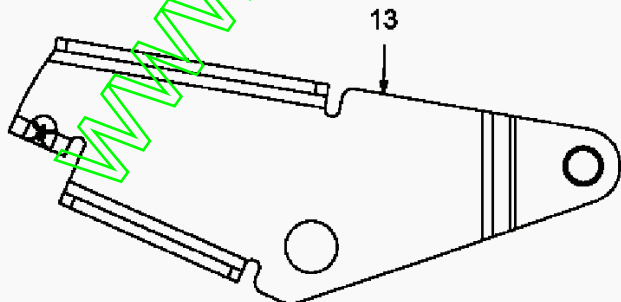
REFERENCE ONLY
725-1741 SW/KEY: 4 POS



GROUND HARDWARE



SEAT BRACKET FOR REFERENCE ONLY

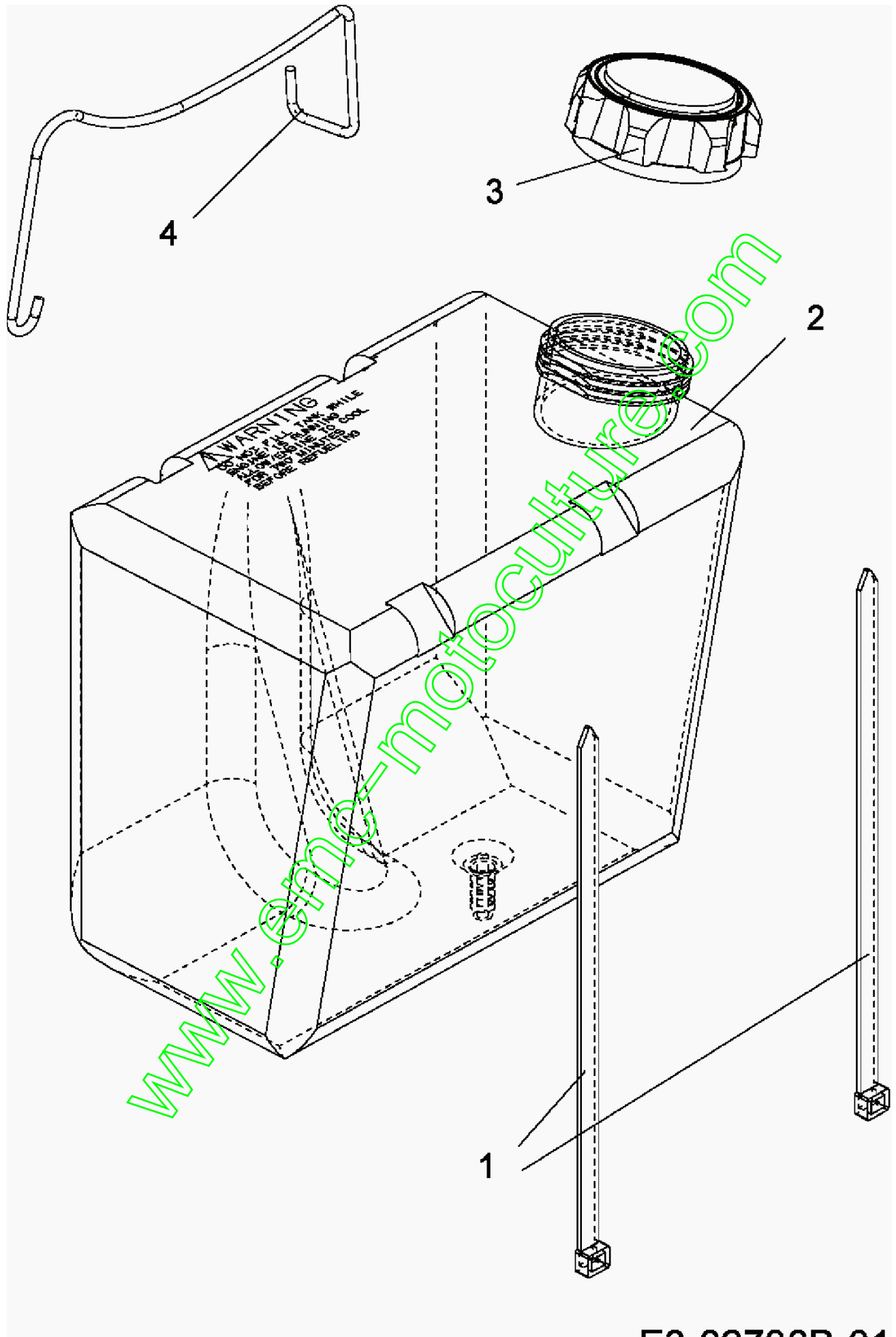


E3-02735B-01

Assortiment électrique

Position	Partnumber	Quantity	Designation	Standard	Additional
1	710-0227	2	VIS	FINISH:701-01002	
2	710-0599	1	VIS IDEM A 710-1005	FINISH:701-01002	
3	725-0157	2	COLLIER CABLE 3/16X.05x7.4	PB-Nr. 5652 schwarz	
4	725-04363	1	FINISH:GREY	FINISH:GREY	
5	725-04433	1	725-04433	725-04433	
6	725-1303	1	EPINGLE	FÜR SI.-SCHALTER SITZ	
7	725-04439	1	SOL:12V:100 AMP:4 TERM	725-04439	
8	725-1439	1	SECURITE SIEGE	FÜR SI.-SCHALTER SITZ	
9	725-1744	2	CLE DE CONTACT		
10	726-0278	1	PLAQUE / ISOLATION	FINISH:NATUR ODER SCHWARZ	
11	726-0279	2	PLAQUE D ISOLATION	FINISH:NATUR ODER SCHWARZ	
12	736-0222	1	RONDELLE	FINISH:701-01001	
13	783-04903	1			

www.emc-motoculture.com



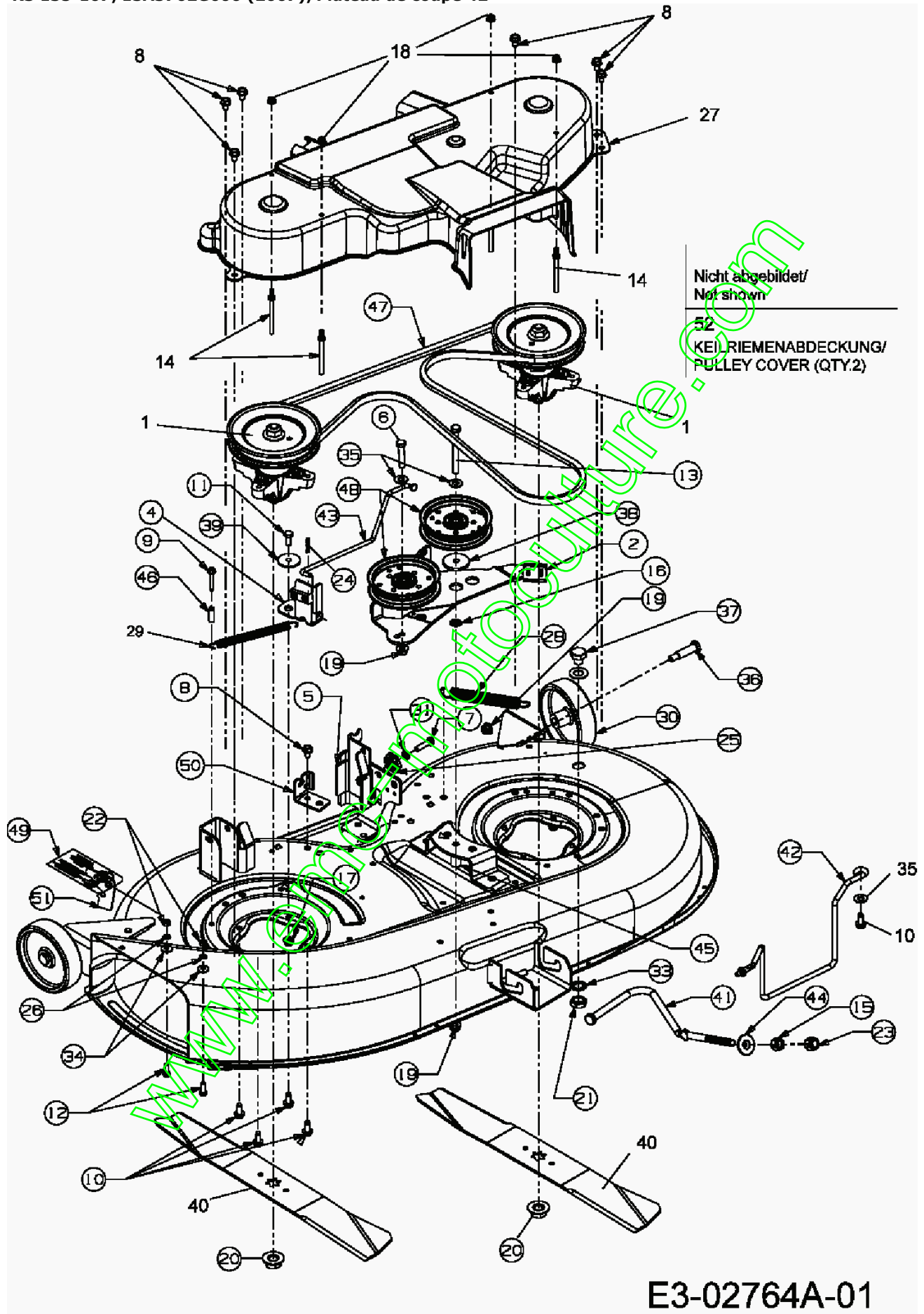
50 007000 04

Reservoir

Position	Partnumber	Quantity	Designation	Standard	Additional
1	726-0209	2	COLLIER CABLE	5615 PB FINISH: SCHWARZ	
2	751-0553	1	RESERVOIR 5 L ENV.	1.25 GALLON FINISH: SIEHE ZG.	
3	751-0603	1	BOUCHON RESERVOIR ESSENCE	FINISH: SCHWARZ	
4	747-04660	1			

www.emc-motoculture.com

RS 135-107/13A3762G600 (2007)/Plateau de coupe 42"

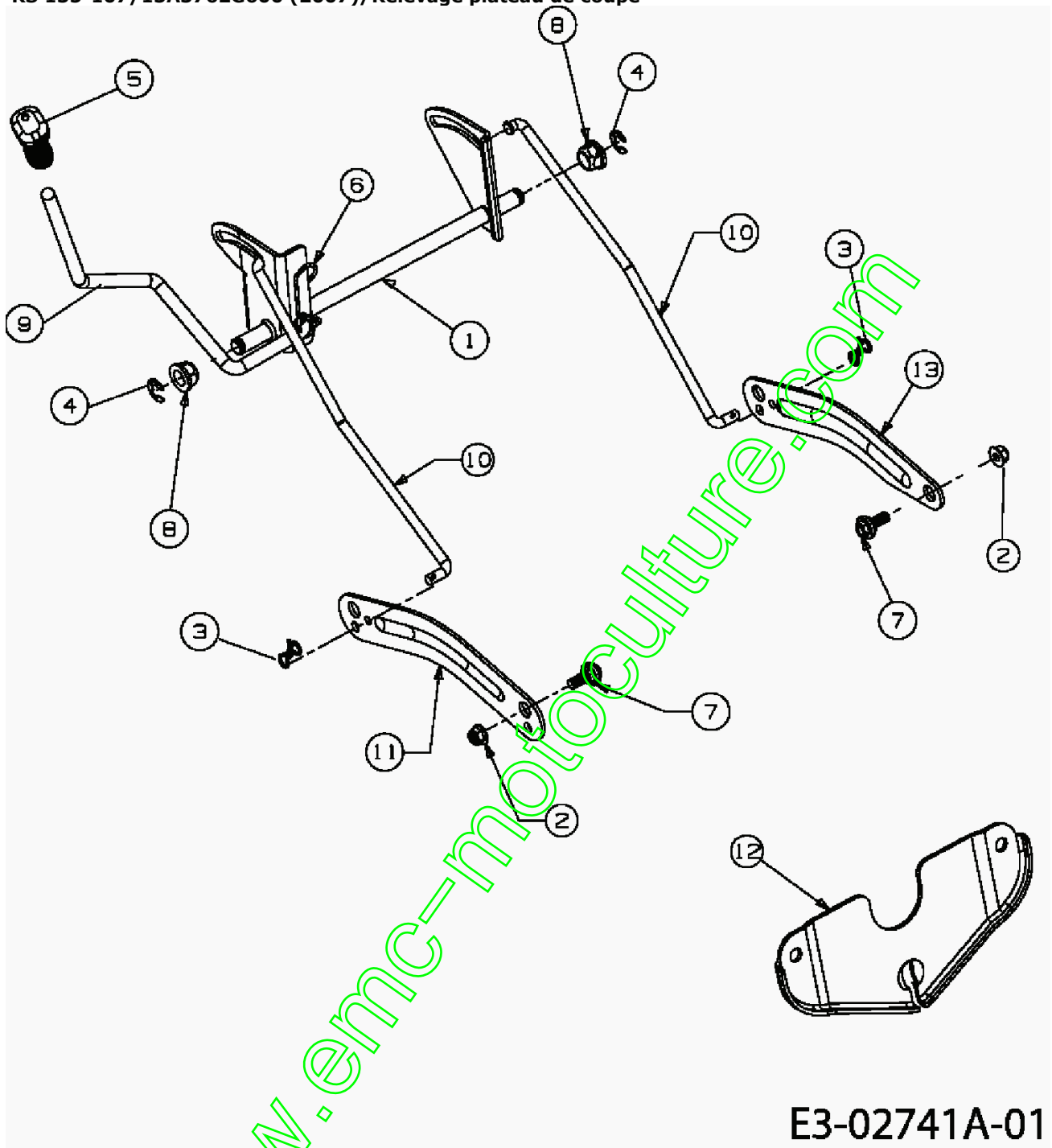


E3-02764A-01

Plateau de coupe 42"

Position	Partnumber	Quantity	Designation	Standard	Additional
1	618-04456	2			
2	683-04138B	1			
3	683-04162A	1			
4	683-04167	1			
5	683-04228	1			
6	710-0347	1	VIS	FINISH:701-01000	
7	710-0528	1	VIS	FINISH:701-01000 910-0528	
8	710-0602	8	BOULON	FINISH:MTD SPEC-701-01002	
9	710-0778	1	VIS	FINISH:MTD SPEC-701-01002	
10	710-1260A	1	VIS	LAGERGEH.MESSERWELLE:701-01002	
11	710-3008	1	VIS EX WD-900-6053	FINISH:701-01000	
12	710-3015	2	VIS	FINISH:701-01000	
13	710-3085	1	FINISH:701-01000	FINISH:701-01000	
14	711-1000	4	GUIDANCE COURROIR 25 X 3.0	911-1000	
15	712-0206	1	ECROU	FINISH:701-01000	
16	712-0229	1	RESSORT ECROU	712-0229	
17	712-04063	1	ECROU	FINISH:701-01000 712-04063	
18	712-04064	4	ECROU	FINISH:701-01000 912-04064	
19	712-04065	4	ECROU	FINISH:701-01000 912-04065	
20	712-0417A	2	ECROU	FINISH:701-01000	
21	712-0641	1	ECROU A OREILLES	FINISH: 701-01000 24.1424.31	
22	712-3006	2	ECROU	FINISH:701-01000	
23	712-3083	1	ECROU	FINISH:701-01000	
24	714-0104	1	GOUPILLE 5/16 "	FINISH:PHOS AND OIL	
25	717-04074	1	PIGNON HAUTEUR PLATEAU	917-04074	
26	726-0233	2	BOUCHON	FINISH:SIEHE ZG.	
27	731-05657	1	FINISH:Schwarz	FINISH:Schwarz	
28	732-04280B	1	RESSORT .75 OD X 6.375LG	FINISH: 701-01000	
29	732-04287	1	RESSORT	FINISH:MTD STD 701-01006	
30	734-0973	2	ROUE DE PLATEAU	Schwarz	
31	736-0119	1	RONDELLE 5/16	FINISH:701-01001	
32	736-0187	1	RONDELLE .64X1.24X.06	FINISH:701-01001	
33	736-0225	1	RONDELLE	FINISH:701-01001	
34	736-0270	2	RONDELLE 265 X 75 X 0.62"	FINISH:701-01001	
35	736-0300	3	RONDELLE .406X.875 X .059	FINISH:MTD SPEC-100015	
36	738-0373	2	AXE DE ROUE DE PLATEAU	FINISH:701-01000	
37	738-04146	1	VIS BOUCHON	DECKWASCHDÜSE FINISH:701-01000	
38	738-04162A	1	FINISH: IN ÖL GETAUCHT	FINISH: IN ÖL GETAUCHT	
39	738-04166	1	DOUILLE .5000 X .1475	FINISH: IN ÖL GETAUCHT	
40	742-0674	2	942-0674	942-0674	
41	747-04269A	1	BARRE REGLAGE PLATEAU	.4480" DIA: FINISH:701-01000	
42	747-04307	1	GUIDE COURROIE 42 POUCES	FINISH:SIEHE ZG.	
43	747-04379A	1	TRINGLE DE FREIN		
44	748-04069	1	RONDELLE	FINISH:701-01001 LT-5	
45	750-04446	1	DOUILLE 3/8 ID X.68 OD X 1.46	FINISH:GEÖLT	
46	750-0566A	1	ENTRETOISE	FINISH:VERZINKT SIEHE ZG.	
47	754-04060B	1	COURROIE DE LAMB	954-04060B	
48	756-04129	2	POULIE TENDEUR	756-04129	
49	771-11725A	1	RT 99	RT 99	
50	783-04740	1			
51	783-1025637	1	HALTER DEFLEKTOR-STOP		
52	783-04327B	2			

RS 135-107/13A3762G600 (2007)/Relevage plateau de coupe



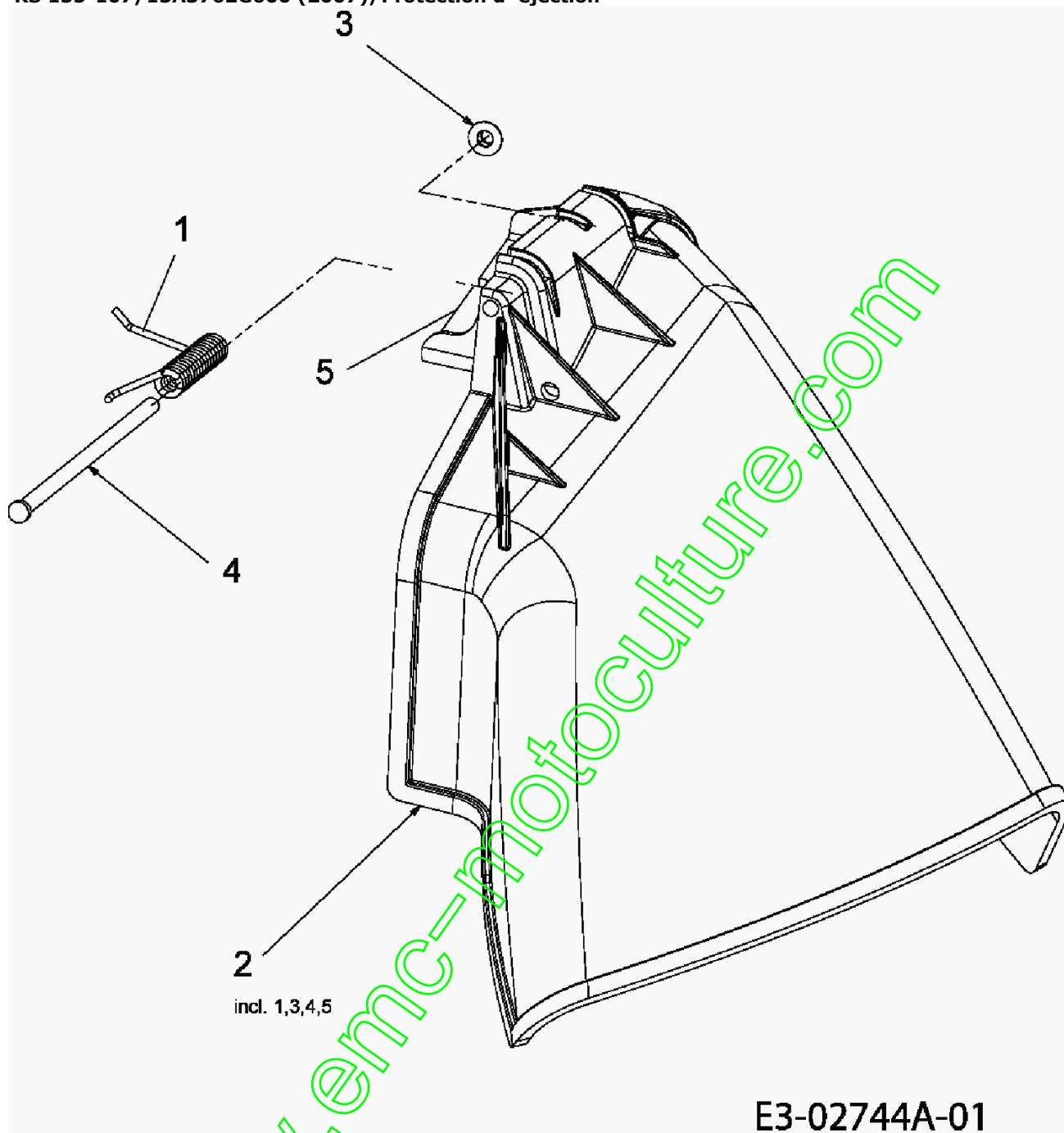
E3-02741A-01

Relevage plateau de coupe

Position	Partnumber	Quantity	Designation	Standard	Additional
1	683-04155637	1	NOIR	SCHWARZ LACKIERT	
2	712-04065	2	ECROU	FINISH:701-01000 912-04065	
3	714-04043	2	FINISH:SIEHE ZG.	FINISH:SIEHE ZG.	
4	716-0106A	2	CIRCLIPS	FINISH:701-01000	
5	720-0311	1	POIGNEE LEVIER DE VITESSE	FARBE:Schwarz	
6	732-04225	1	RESSORT	FINISH:PHOS & OIL	
7	738-04130	2	VIS .625X.175:3/8-16	SPEC FINISH:701-01000	
8	741-0225	2	BAGUE HEXAGONALE TEFLON 6 PANS	FINISH:Schwarz	
9	747-04282	1	LEVIER	FINISH:701-01000	
10	747-04393	2	FINISH:701-01006 OR 701-01007	FINISH:701-01006 OR 701-01007	
11	783-04494637	1	CARTER DE COUPE 107 CM	SCHWARZ LACKIERT	
12	783-04568637	1	NOIR	SCHWARZ LACKIERT	
13	783-04711637	1	NOIR	SCHWARZ LACKIERT	

www.emc-motoculture.com

RS 135-107/13A3762G600 (2007)/Protection d'éjection



Protection d'éjection

Position	Partnumber	Quantity	Designation	Standard	Additional
1	732-0602A	1	FINISH:MTD STD 701-01000	FINISH:MTD STD 701-01000	
2	631-0220	1	DEFLECTEUR EJECTION LATERALE	631-0220/931-0220	
3	726-0106	1	COUVERCLE 1/4 "	726-0106	
4	711-0792	1	GOUJON	MTD SPEC 701-01000 911-0792	
5	703-1693A	1	LEVIER	FINISH:701-01000	

www.emc-motoculture.com