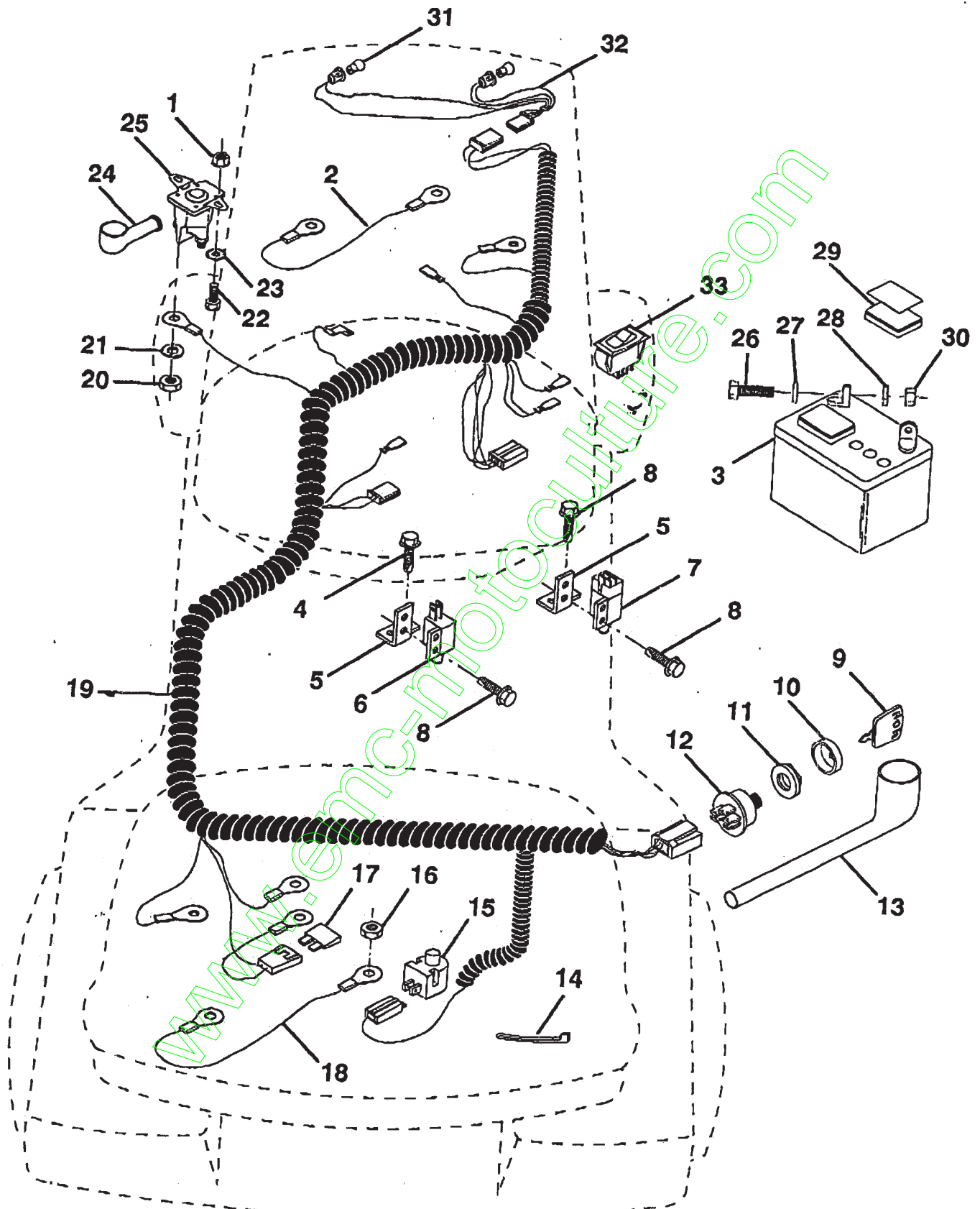


REPAIR PARTS

12 HP 38" LAWN TRACTOR -- MODEL NUMBER S12R38A

ELECTRICAL



REPAIR PARTS

12 HP 38" LAWN TRACTOR - - MODEL NUMBER S12R38A

ELECTRICAL

KEY PART NO. NO.	DESCRIPTION
1 73510400	Nut, Hex, Keps 1/4-20 UNC
2 108423X	Assembly, Cable
3 133909	Battery
4 17211008	Screw, Hex Washer Head, Tapping #10-16 x 1/2
5 108236X	Bracket, Switch
6 104445X	Switch, Interlock
7 109553X	Switch, Interlock
8 17021008	Screw, Hex Head, Tapping #10-24 x 1/2
9 122147X	Key, Molded
10 123620X	Cover, Key, Ignition
11 124211X	Nut, Ignition
12 4406R	Switch, Ignition
13 124083X	Cover, Ignition Switch
14 7192J	Tie, Cable
15 121305X	Switch, Plunger
16 73510500	Nut, Keps 5/16-18
17 108824X	Fuse
18 128353	Assembly, Cable
19 132222	Harness, Ignition
20 73350400	Nut, Hex, Jam 1/4-20
21 10090400	Washer, Lock 1/4
22 74780408	Bolt, Hex 1/4-20 x 12 Grade 5
23 11050400	Washer, Lock, External Tooth 1/4
24 131563	Cover, Terminal
25 109081X	Solenoid
26 74760412	Bolt, Hex Head 1/4-20 UNC x 3/4
27 19031016	Washer 9/32 x 5/8 x 16 Gauge
28 10040400	Washer, Lock, Hvy. Hel. Spring 1/4
29 121264X	Cap, Battery
30 73220400	Nut, Hex, Fin 1/4-20
31 7662J	Bulb
32 127441X	Harness, Light Socket
33 110712X	Switch, Light

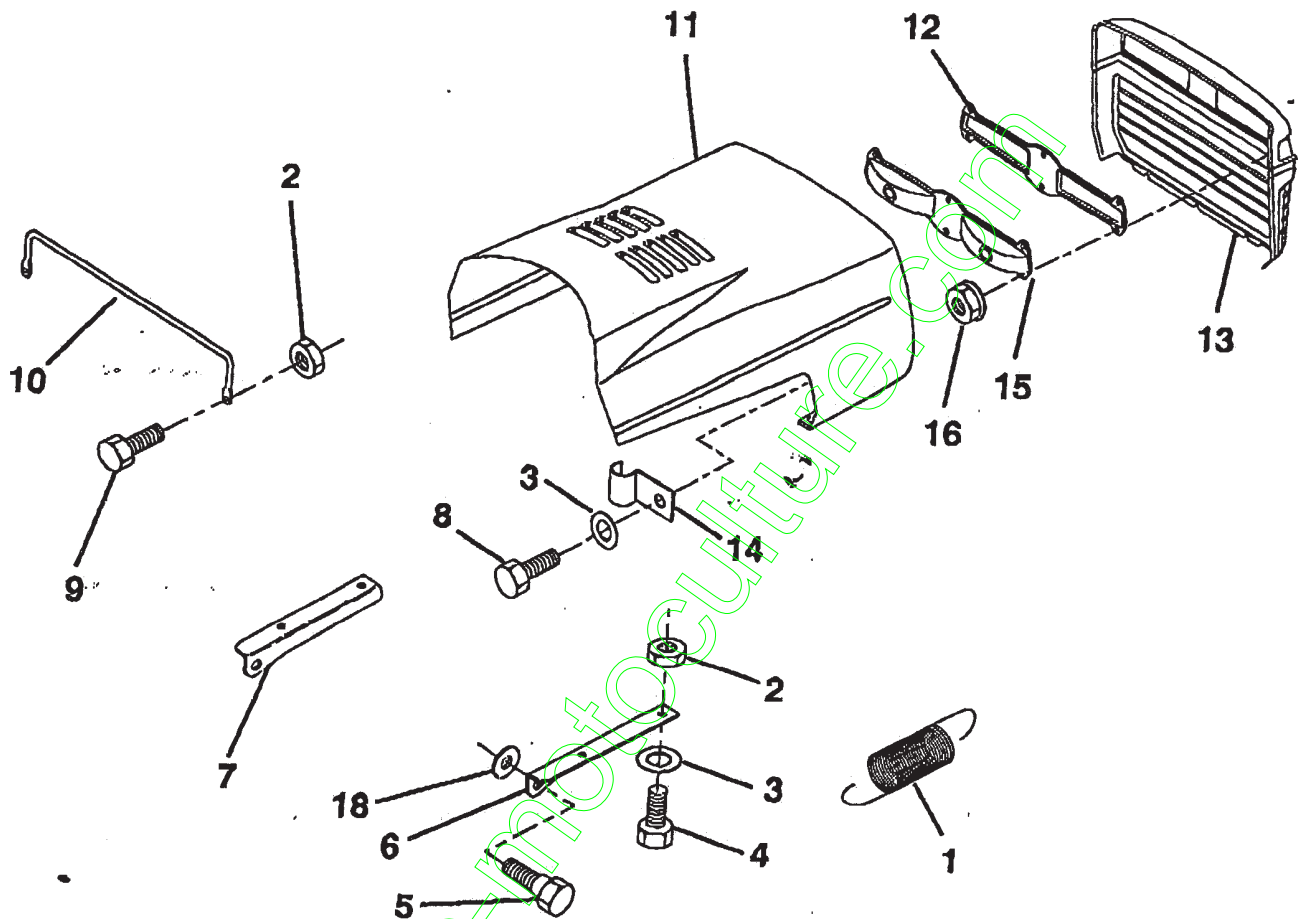
NOTE: All component dimensions given in U.S. Inches
1 Inch = 25.4 mm

HARDWARE SHOWN LARGER FOR EASIER IDENTIFICATION

REPAIR PARTS

12 HP 38" LAWN TRACTOR -- MODEL NUMBER S12R38A

HOOD



KEY PART NO. NO.

- 1 124657X
- 2 73510400
- 3 19091016
- 4 74780410
- 5 126675X
- 6 122549X
- 7 122548X
- 8 17411310

DESCRIPTION

- Spring, Extension
- Nut, Hex, Keps 1/4-20 UNC
- Washer 9/32 x 5/8 x 16 Gauge
- Bolt, Hex, Fin 1/4-20 UNC x 5/8 Grade 5
- Bolt, Shoulder
- Bracket, Hood, RH
- Bracket, Hood, LH
- Screw, Hex, Fin #13-16 HI-Lo x 5/8

KEY PART NO. NO.

- 9 74780412
- 10 123693X
- 11 132918X505
- 12 127178
- 13 134232X428
- 14 2751R
- 15 127177X
- 16 124346X
- 17 19091216
- 18 19111116

DESCRIPTION

- Bolt, Hex, Fin 1/4-20 x 3/4 Grade 5
- Brace, Hood
- Hood
- Lens
- Grill
- Clip, Fuel
- Box, Light
- Nut, Waasher hd, Self-threading 1/4
- Washer 9/32 x 3/4 x 16 Ga.
- Washer 11/32 x 11/16 x 16 Ga.

NOTE: All component dimensions given in U.S. inches
1 inch = 25.4 mm

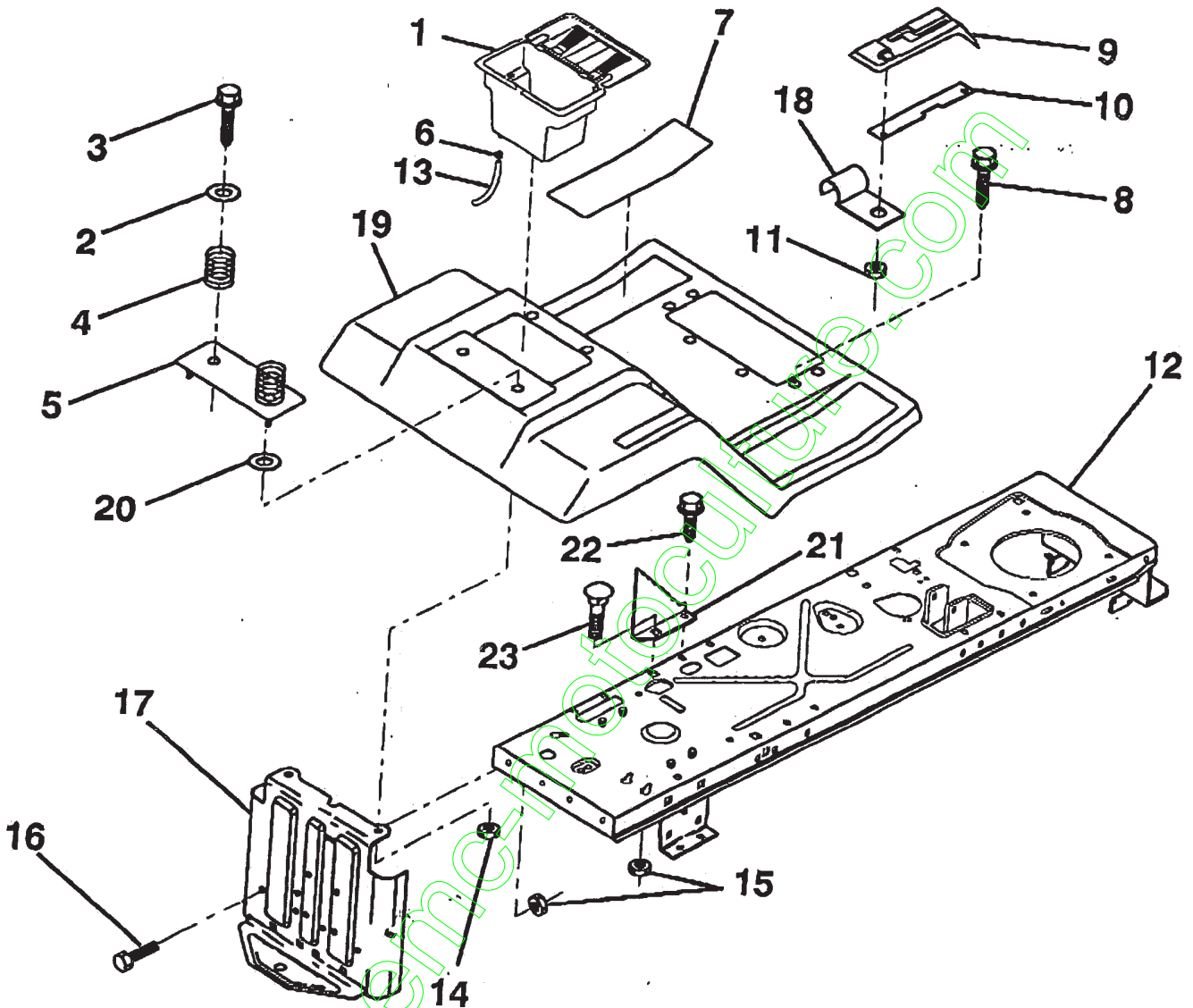
HARDWARE SHOWN LARGER FOR EASIER IDENTIFICATION

8

REPAIR PARTS

12 HP 38" LAWN TRACTOR - - MODEL NUMBER S12R38A

FENDER / CHASSIS



KEY PART NO. NO.

DESCRIPTION

KEY PART NO. NO.

DESCRIPTION

1	129965	Case, Battery
2	19132012	Washer 13/32 x 1-1/4 x 12 Gauge
3	17490612	Screw, Hex Washer Head, Thd. Roll. 3/8-18 x 3/4
4	124181X	Spring, Compression, Seat
5	127115X505	Plate, Fender
6	109596X	Clamp, Hose
7	124144X	Pad, Footrest
8	17490512	Screw, Hex Washer Head, Thd. Roll. 5/16-18 x 3/4
9	126995X	Console, Shift Control
10	124307X	Bar, Shift Lock
	124346X	Nut, Self-Threading 3/16
11	133384	Assembly, Frame

13	105687X	Tube, Battery Drain
14	73510400	Nut, Hex, Keps 1/4-20
15	73680500	Nut, Crownlock 5/16-18
16	74760512	Bolt, Hex 5/16-18 UNC x 3/4
17	127880	Drawbar
18	126470X	Clip, Insulated
19	132650X505	Fender/Footrest
20	19091413	Washer 9/32 x 7/8 x 13 Gauge
21	132562	Plate, Depth Stop
22	17490508	Screw, Thd. Roll. 5/16-18 x 1/2
23	72110506	Bolt, Carriage 5/16-18 x 3/4

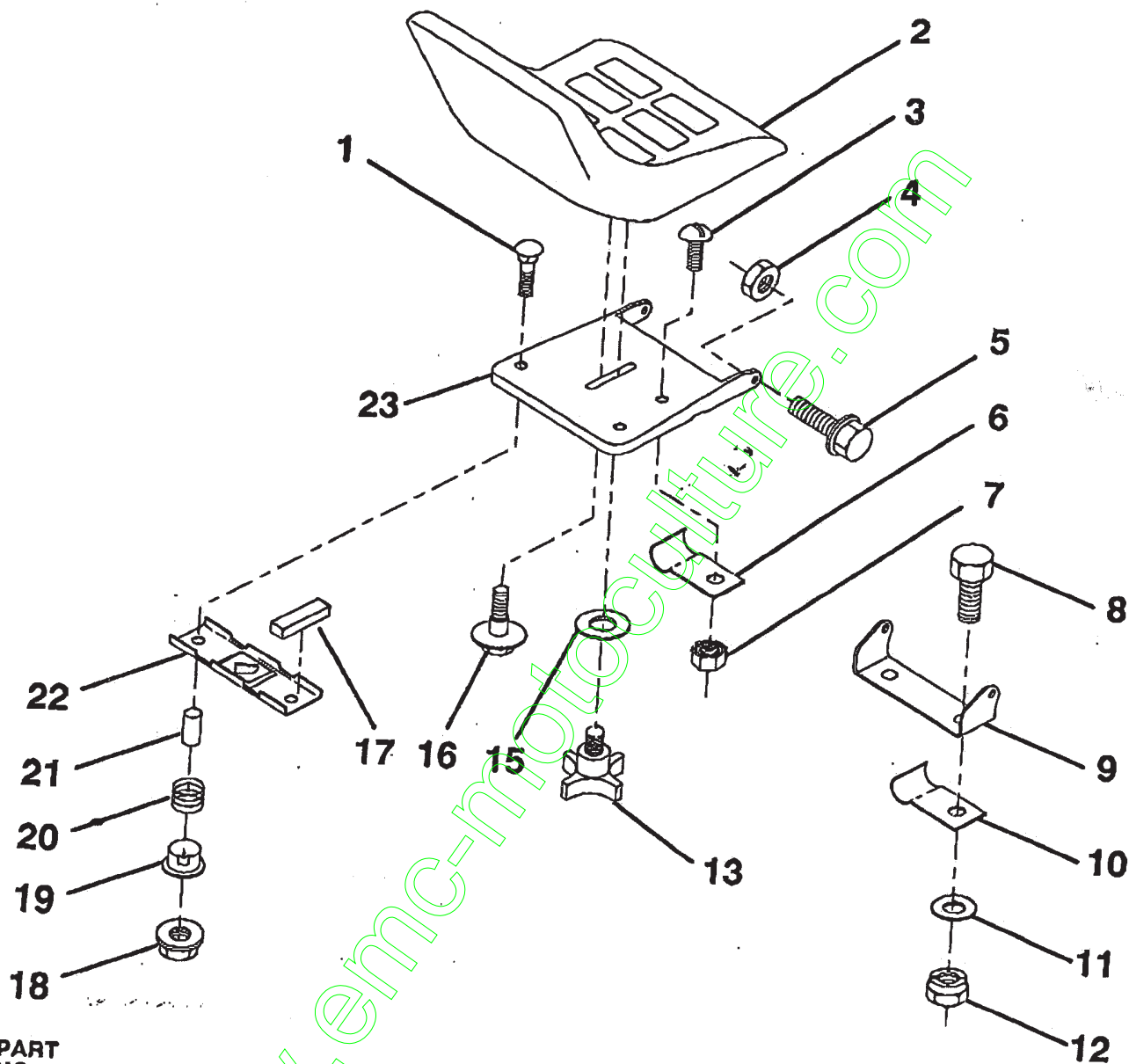
NOTE: All component dimensions given in U.S. Inches
1 inch = 25.4 mm

HARDWARE SHOWN LARGER FOR EASIER IDENTIFICATION

REPAIR PARTS

12 HP 38" LAWN TRACTOR -- MODEL NUMBER S12R38A

SEAT



KEY PART NO. NO.

1	72050411
2	127423X
3	74641008
4	73680500
5	105529X
6	4171R
7	73951000
8	74760612
9	126656X
10	126471X
11	19131210
12	73680600

DESCRIPTION

Bolt, Carriage 1/4-20 x 1-3/8
Seat
Screw, Slotted Pan Head #10-32 x 1/2
Nut, Crownlock 5/16-18
Bolt, Shoulder 5/16-18 UNC
Clip, Insulated
Nut, Keps #10-32 UNF
Bolt, Hex, Fin 3/8-16 UNC x 3/4
Bracket, Pivot, Seat
Clip, Insulated
Washer 13/32 x 3/4 x 10 Gauge
Nut, Crownlock 3/8-16 UNC

KEY PART NO. NO.

13	120068X
15	19171912
16	127018X
17	121251X
18	123976X
19	121248X
20	121250X
21	121249X
22	121246X
23	131451

DESCRIPTION

Bolt, Hex, Fin 1/2-13 UNC x 1
Washer 17/32 x 1-3/16 x 12 Gauge
Bolt, Shoulder
Strip, Foam
Locknut, Hex, Large, Flange
Bushing, Snap
Spring, Compression
Spacer, Split, Large .28 Id. x .88
Bracket, Switch, Mounting
Pan, Seat

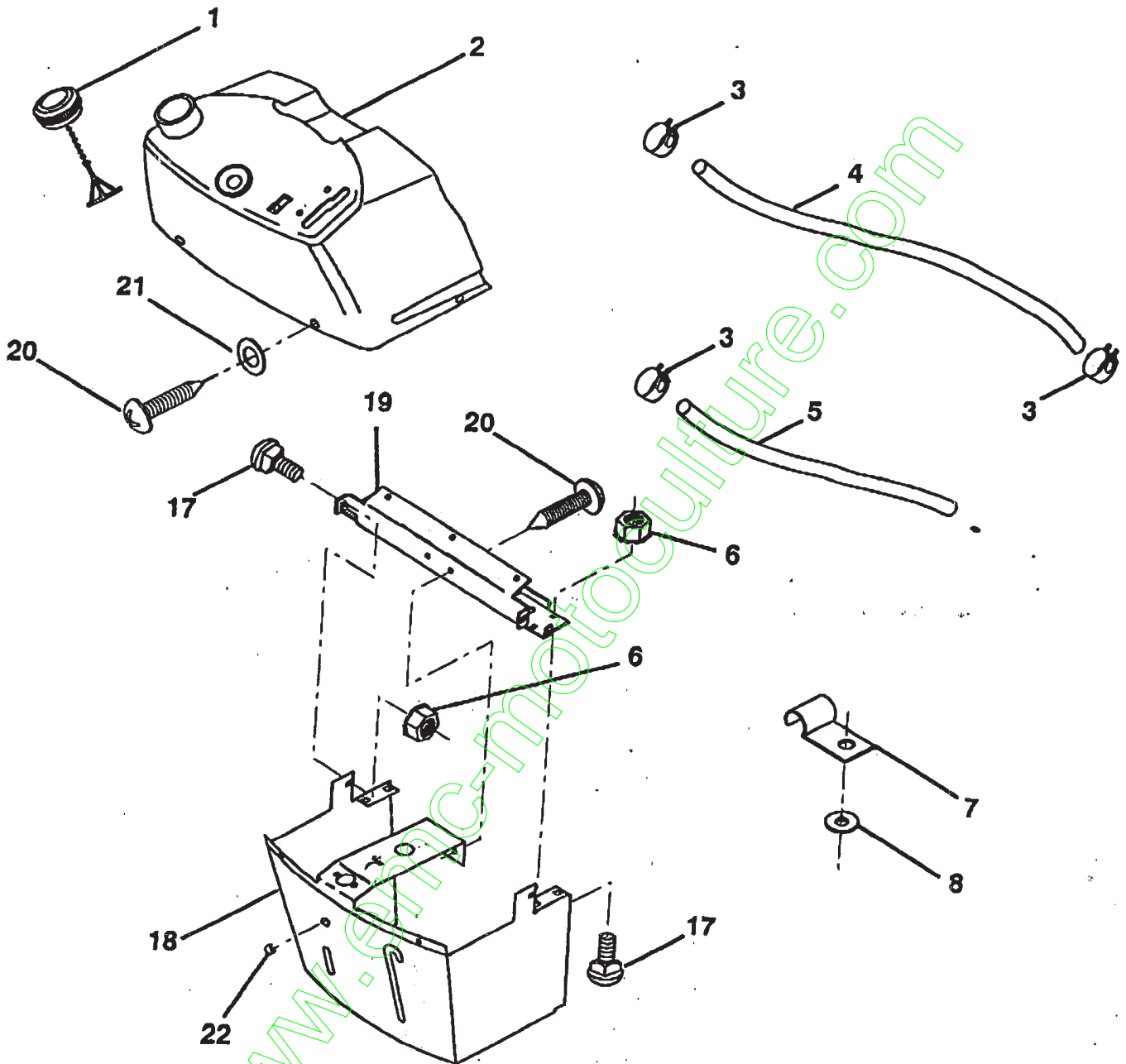
NOTE: All component dimensions given in U.S. Inches
1 inch = 25.4 mm

HARDWARE SHOWN LARGER FOR EASIER IDENTIFICATION

REPAIR PARTS

12 HP 38" LAWN TRACTOR - - MODEL NUMBER S12R38A

DASHBOARD



KEY PART NO. NO.

DESCRIPTION

1	122015X	Cap, Fuel
2	130914	Assembly, Dash & Fuel Tank
3	123487X	Clamp, Hose
4	8544R	Line, Fuel
5	8548R	Line, Fuel
6	73510400	Nut, Hex, Keps 1/4-20
	2751R	Clip, Fuel Line
	19091216	Washer 9/32 x 3/4 x 16 Gauge

KEY PART NO. NO.

DESCRIPTION

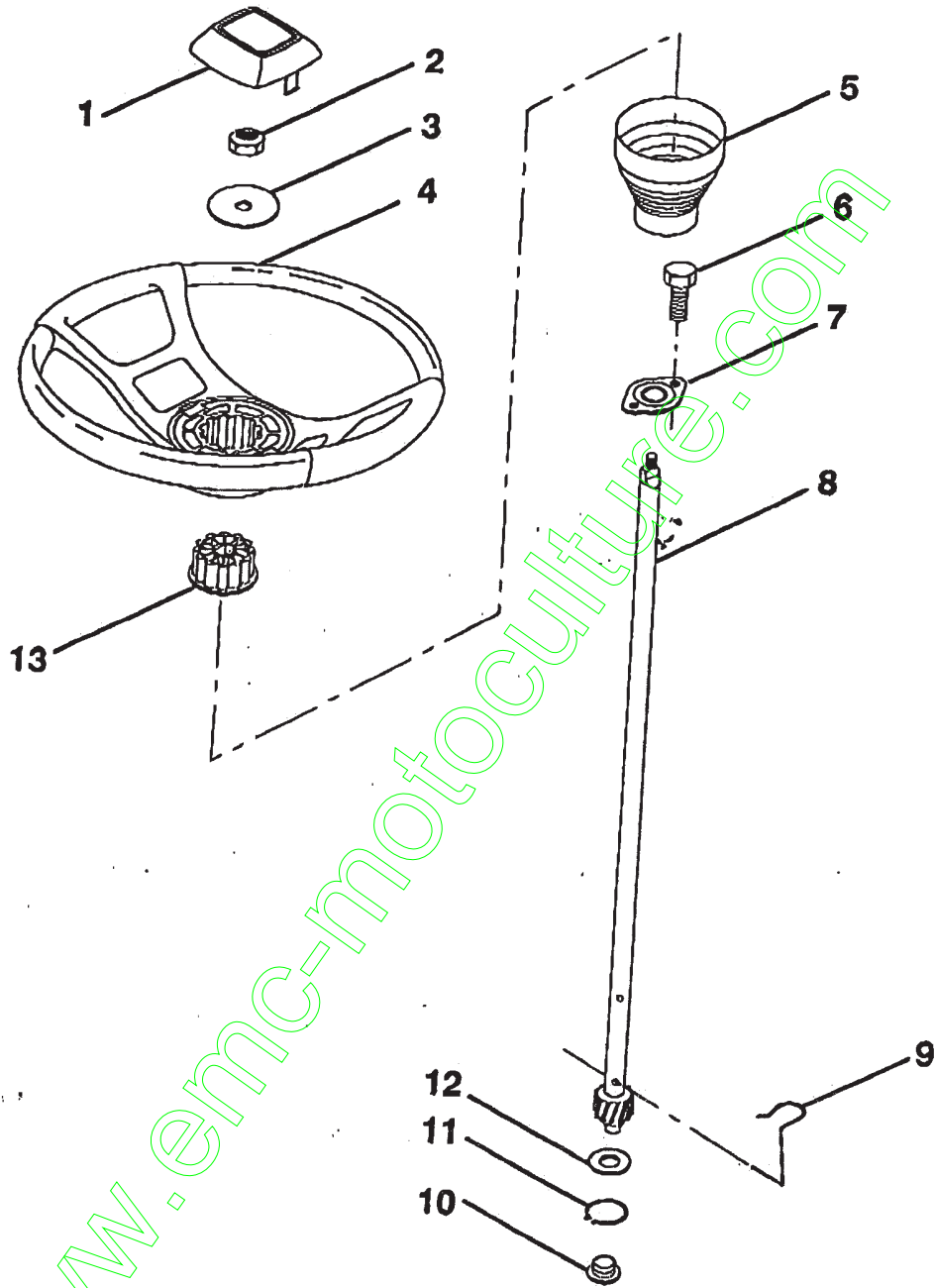
17	72110404	Bolt, Carriage 1/4-20 x 1/2 Grade 5
18	131886	Support Assembly, Dash
19	134744	Brace, Cross
20	18000408	Screw, Self-Tapping 1/4-20 x 1/2
21	19090816	Washer 9/32 x 1/2 x 16 Gauge
22	134014	Plug, Dome

NOTE: All component dimensions given in U.S. Inches
1 Inch = 25.4 mm

HARDWARE SHOWN LARGER FOR EASIER IDENTIFICATION

REPAIR PARTS

12 HP 38" LAWN TRACTOR -- MODEL NUMBER S12R38A STEERING WHEEL



KEY PART NO. NO.

KEY PART NO.	NO.	DESCRIPTION
1	100710L	Insert, Steering Wheel
2	7810H	Locknut 3/8-24 UNF
3	19133808	Washer 13/32 x 2-3/8 x 8 Gauge
4	100713N	Wheel, Steering
5	121472X	Sleeve, Steering
6	17431008	Screw, Hex Self-Tapping #10-16 x 1/2
7	102803X	Bushing, Steering

KEY PART NO. NO.

KEY PART NO.	NO.	DESCRIPTION
8	123651X	Shaft, Steering
9	124210X	Clip, Steering
10	123438X	Bushing, Lower, Steering
11	12000045	Ring, Retaining
12	19211616	Washer 21/32 x 1 x 16 Gauge
13	104820X	Adaptor, Steering Wheel

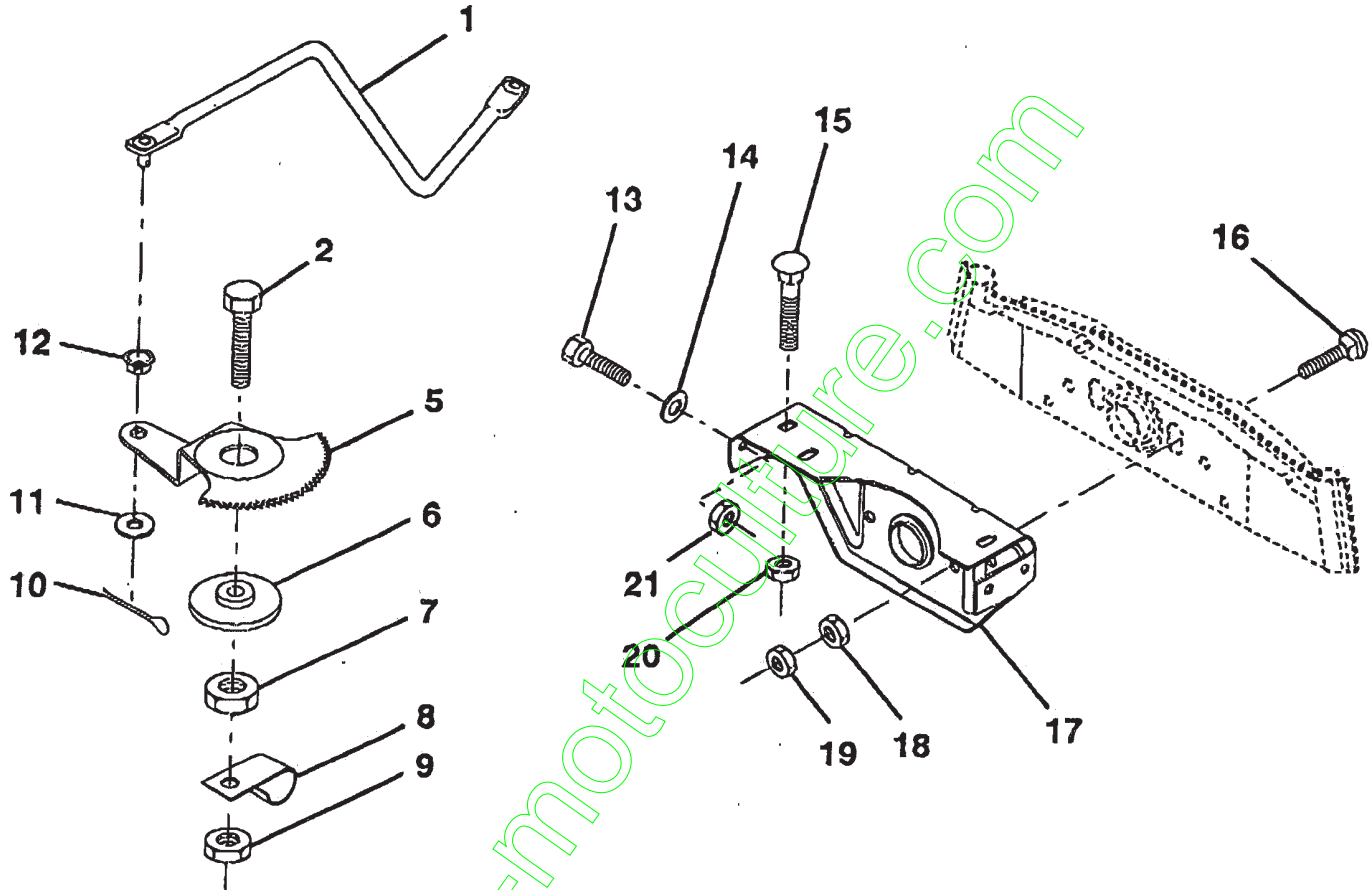
NOTE: All component dimensions given in U.S. inches
1 inch = 25.4 mm

HARDWARE SHOWN LARGER FOR EASIER IDENTIFICATION

REPAIR PARTS

12 HP 38" LAWN TRACTOR - - MODEL NUMBER S12R38A

SECTOR GEAR / AXLE SUPPORT



KEY PART NO. NO.	DESCRIPTION
1 132566	Link, Drag
2 74780828	Bolt, Hex, Fin. 1/2-13 x 1-3/4
5 121926X	Gear, Sector
6 121927X	Bushing
7 73030800	Nut, Heavy, Hex, Top Lock 1/2-13 UNC
8 126472X	Clip, Wire
9 73680800	Nut, Crownlock 1/2-13
10 76020412	Pin, Cotter 1/8 x 3/4
11 19131316	Washer 13/32 x 13/16 x 16 Gauge
12 126847X	Bushing

KEY PART NO. NO.	DESCRIPTION
13 74760512	Bolt, Hex 5/16-18 UNC x 3/4
14 19111416	Washer 11/32 x 7/8 x 16 Gauge
15 72110606	Bolt, Carriage 3/8-16 UNC x 3/4
16 72140622	Bolt, Carriage 3/8-16 x 2-3/4
17 121912X	Support, Front Axle
18 73220600	Nut, Hex, Fin. 3/8-16 UNC
19 73930600	Nut, Centerlock 3/8-16 UNC
20 73680600	Nut, Crownlock 3/8-16 UNC
21 73680500	Nut, Crownlock 5/16-18

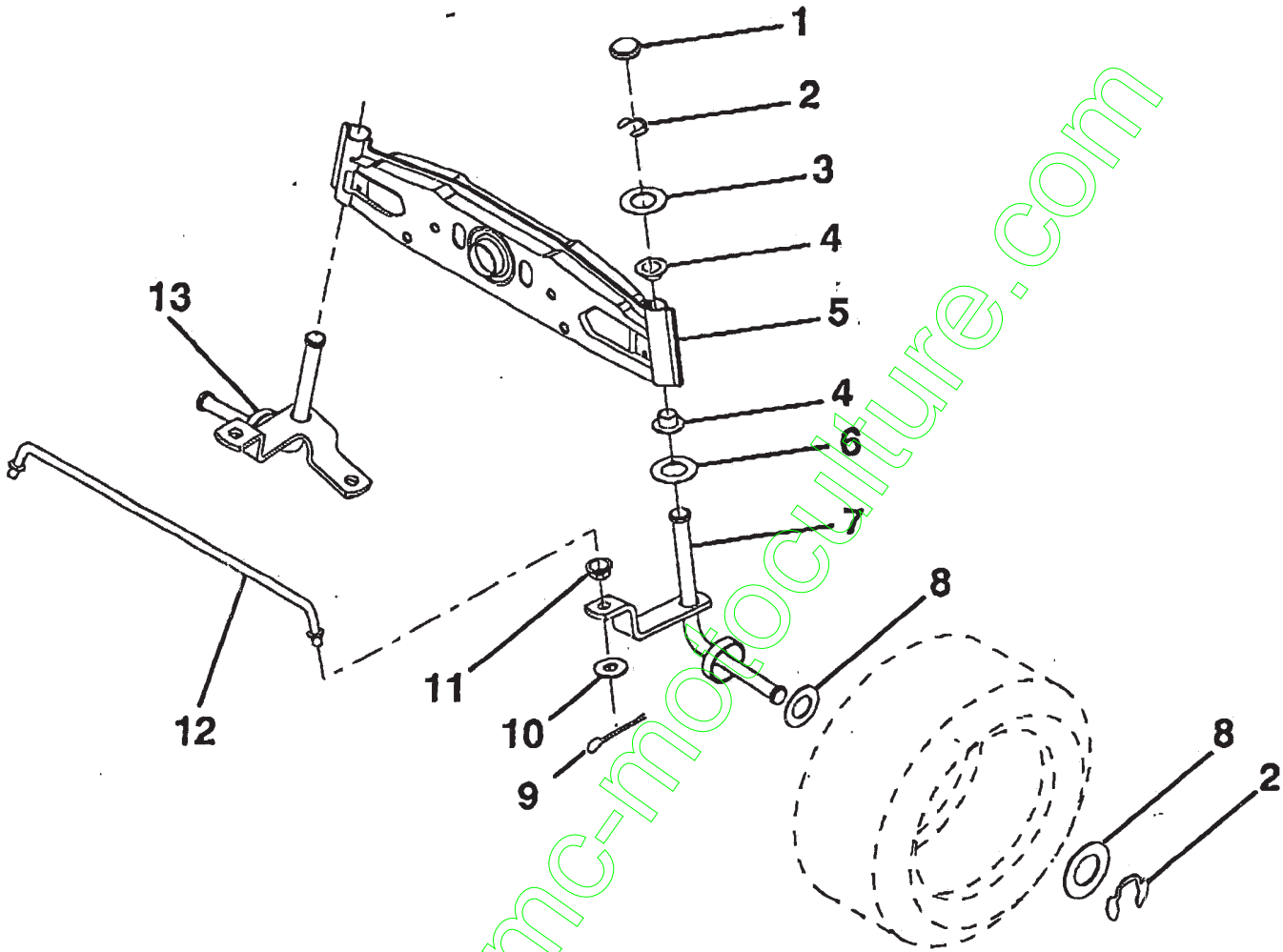
NOTE: All component dimensions given in U.S. Inches
1 inch = 25.4 mm

HARDWARE SHOWN LARGER FOR EASIER IDENTIFICATION

REPAIR PARTS

12 HP 38" LAWN TRACTOR -- MODEL NUMBER S12R38A

FRONT AXLE



KEY PART NO. NO.

DESCRIPTION

KEY PART NO. NO.

DESCRIPTION

1	121232X	Cap, Spindle
2	1200029	Ring, Klip
3	121748X	Washer 25/32 x 1-5/8 x 16 Gauge
4	121922X	Nyliner
5	121914X	Axle, Front
6	6266H	Bearing, Thrust
7	121919X	Spindle Assembly, RH
8	121749X	Washer 25/32 x 1-1/4 x 16 Gauge

9	76020412	Pin, Cotter 1/8 x 3/4
10	19131316	Washer 13/32 x 13/16 x 16 Gauge
11	126847X	Bushing
12	121924X	Rod, Tie
13	121916X	Spindle Assembly, LH

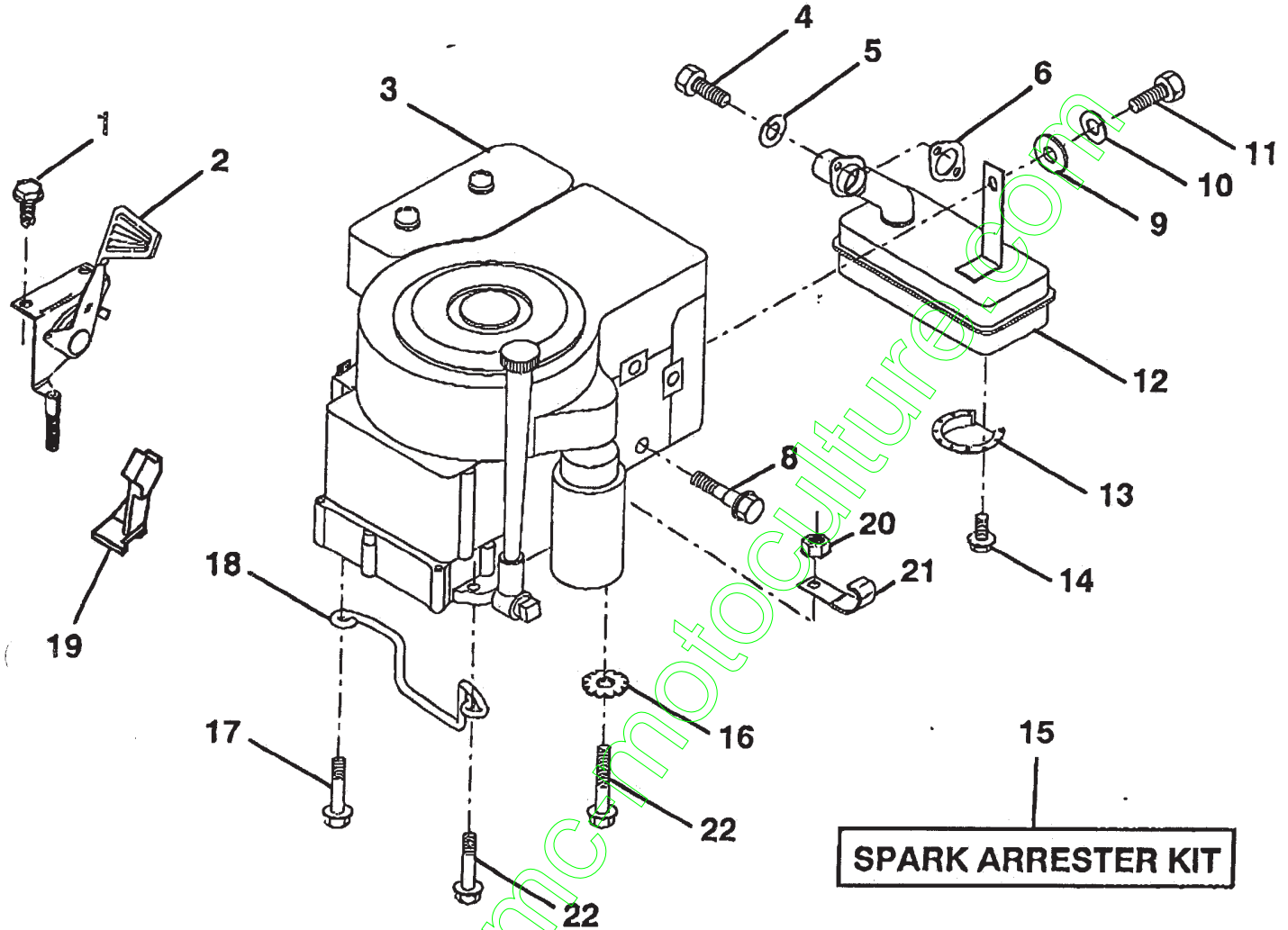
NOTE: All component dimensions given in U.S. Inches
1 inch = 25.4 mm

MADRIDWA SHOWN LABGED FOR EASIED IDENTIFICATION

REPAIR PARTS

12 HP 38" LAWN TRACTOR - - MODEL NUMBER S12R38A

ENGINE / THROTTLE



KEY PART NO.	NO.	DESCRIPTION
1	17720408	Screw, Hex, Thread Cutting 1/4-20 x 1/2
2	133025	Control, Throttle
3	-----	Engine, Briggs & Stratton, 12.0 HP, Model 283707
4	71070512	Screw, Hex Head Cap 5/16-18 x 3/4
5	10040500	Washer, Lock, Heavy Helical Spring 5/16
6	125593X	Gasket, Exhaust
7	73220500	Nut, Hex, Fin. 5/16-18
8	121094X	Bolt, Shoulder
9	19101216	Washer 5/16 x 3/4 x 16 Gauge
10	10040400	Washer, Lock, Heavy Helical Spring 1/4

KEY PART NO.	NO.	DESCRIPTION
11	74780412	Bolt, Hex, Fin. 1/4-20 UNC x 3/4
12	123676X	Muffler
13	101326L	Deflector, Muffler
14	17030808	Screw, Hex, Spiderlock 8 x 1/2 ABTPS
15	121851X	Kit, Spark Arrester (Optional)
16	11050600	Washer, Lock, External Tooth 3/8
17	17490624	Screw, Hex Washer Head, Thd. Roll. 3/8-16 x 1-1/2
18	126636X	Keeper, Ground Drive Belt
19	133097	Stop, Throttle
20	73510600	Nut, Keps 3/8-16
21	2751R	Clip, Fuel Line
22	17490632	Screw, Thd. Roll. 3/8-16 x 2

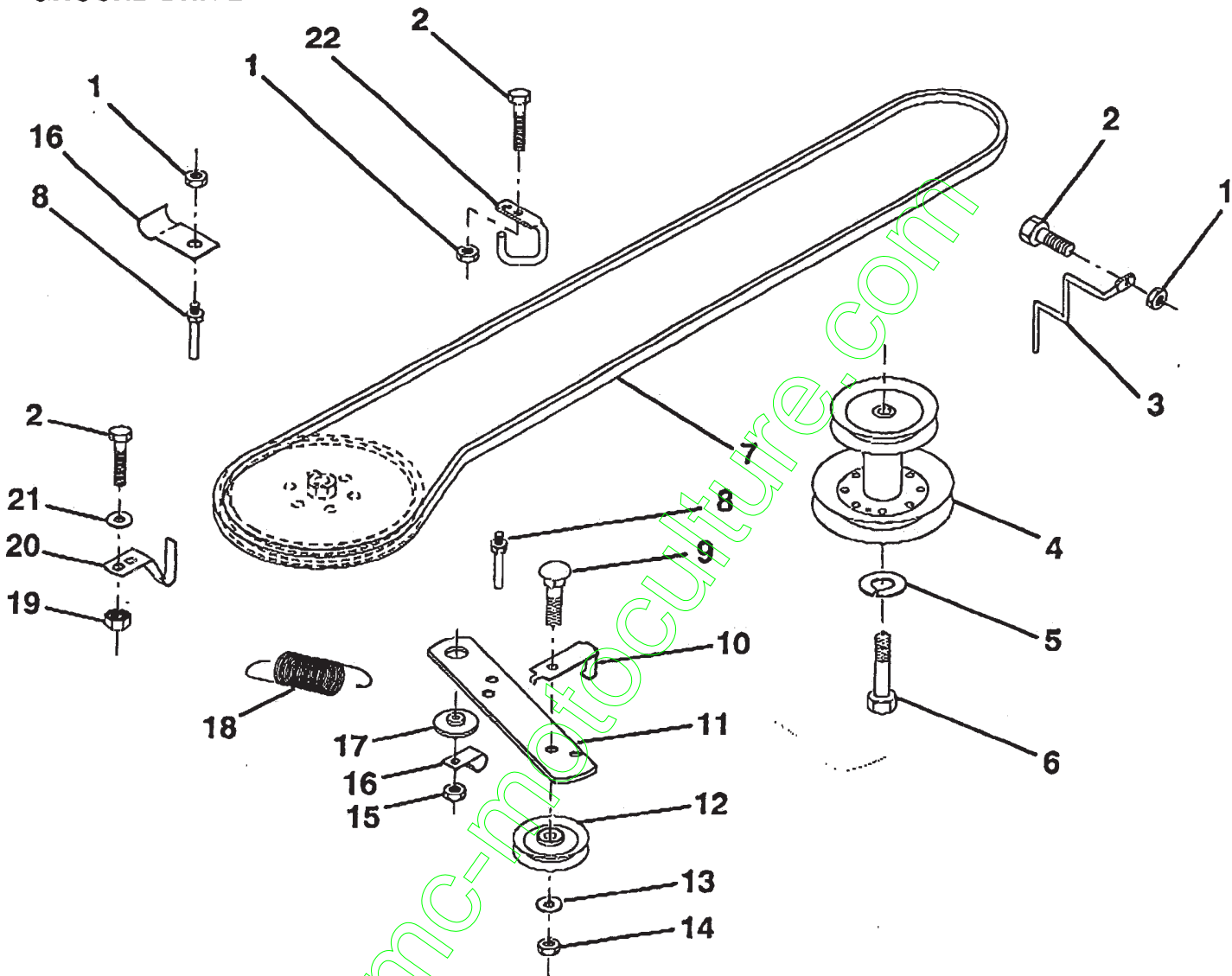
NOTE: All component dimensions given in U.S. inches
1 inch = 25.4 mm

HARDWARE SHOWN LARGER FOR EASIER IDENTIFICATION

REPAIR PARTS

12 HP 38" LAWN TRACTOR - - MODEL NUMBER S12R38A

GROUND DRIVE



KEY PART NO. NO.

DESCRIPTION

1	73680500	Nut, Crownlock 5/16-18
2	74760512	Bolt, Hex, 5/16-18 UNC x 3/4
3	132946	Keeper, Mower Drive Belt, Engine
4	135036	Pulley, Engine
5	10040700	Washer, Lock 7/16
6	71130748	Bolt, Hex, Fin 7/16-20 UNF x 3
7	124525X	Tractlon, V-Belt Drive
8	123405X	Keeper, T/A Ground Drive Belt
9	72140612	Bolt, Carriage 3/8-16 x 1-1/2
10	123396X	Keeper, Ground Drive Belt, Idler
11	123395X	Arm, Ground Drive Clutch
12	4859J	Idler, Flat
13	19131316	Washer 13/32 x 13/16 x 16 Gauge

KEY PART NO. NO.

DESCRIPTION

14	73930600	Nut, Centerlock 3/8-16 UNC
15	73680600	Nut, Crownlock 3/8-16 UNC
16	126471X	Clip, Insulated
17	122052X	Spacer, Retainer
18	131459	Spring, Extension
19	73510500	Nut, Keps 5/16-18 UNC
20	123891X	Keeper, T/A Ground Drive Belt
21	19111016	Washer 11/32 x 5/8 x 16 Gauge
22	123404X	Keeper, Frame, Ground Drive Belt

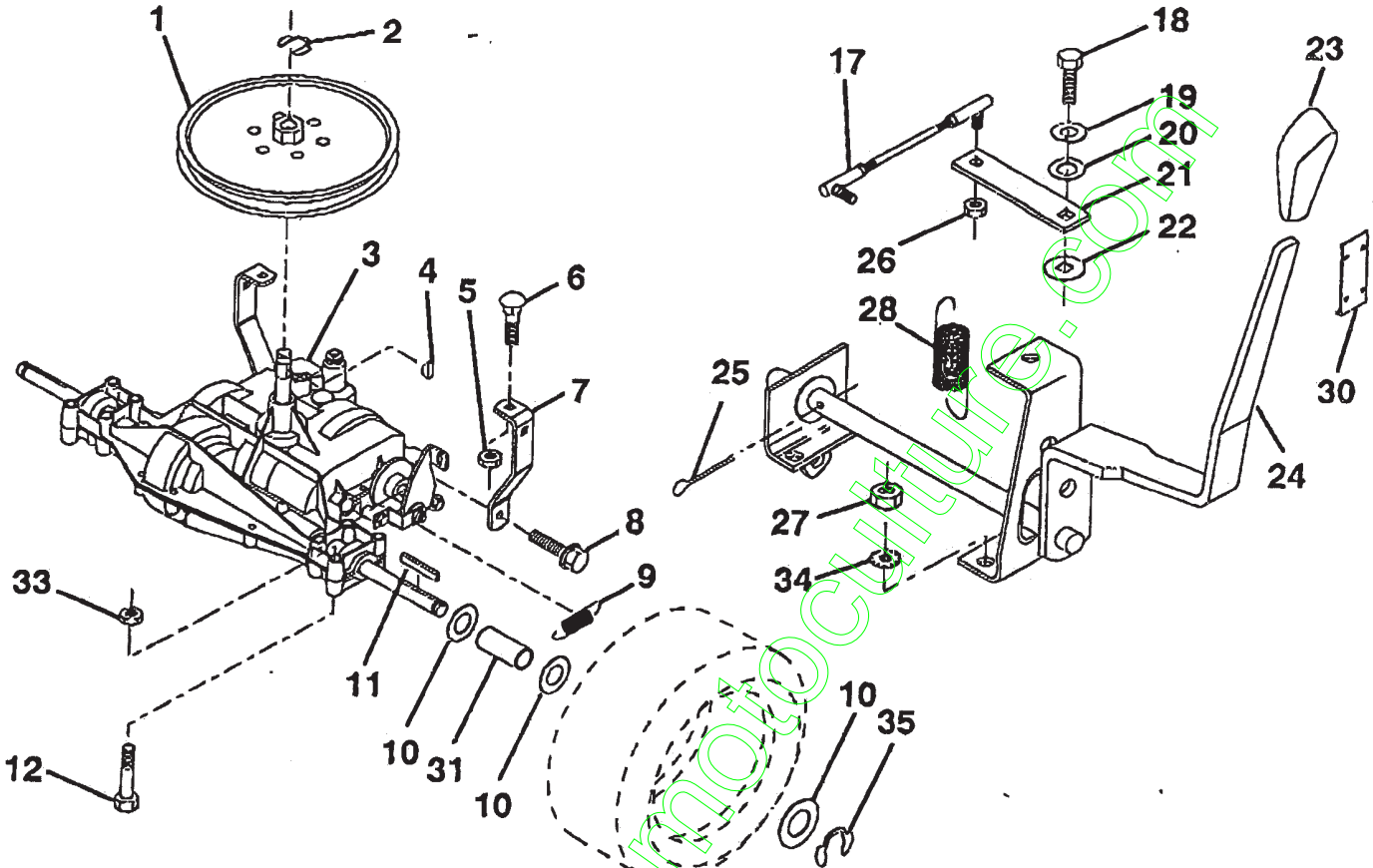
NOTE: All component dimensions given in U.S. Inches
1 inch = 25.4 mm

HARDWARE SHOWN LARGER FOR EASIER IDENTIFICATION

REPAIR PARTS

12 HP 38" LAWN TRACTOR -- MODEL NUMBER S12R38A

TRANSAXLE



KEY PART NO. NO.

DESCRIPTION

KEY PART NO. NO.

DESCRIPTION

1	123385X	Pulley
2	12000028	Ring, Retainer
3	123655X	Transaxle, Foote/Dana, 6 Speed, Model Number 4360-18
4	2228M	Key, Woodruff #9
5	73680500	Nut, Crownlock 5/16-18
6	72140506	Bolt, Carriage 5/16-18 UNC x 3/4
7	123378X	Strap, Torque
8	17490512	Screw, Hex, Thd. Roll. 5/16-18 x 3/4
9	110422X	Spring, Brake
10	121749X	Washer 25/32 x 1-1/4 x 16 Gauge
11	123583X	Key, Square
12	74760644	Bolt, Hex 3/8-16 x 2-3/4
17	123632X	Link, Shift
19	71040412	Bolt, Hex, Fln. 1/4-28 x 3/4 Gr. 8
19	10040400	Washer, Lock 1/4

20	19091210	Washer 9/32 x 3/4 x 10 Gauge
21	123539X	Arm, Shift
22	105701X	Washer, Shift Plate
23	122011X	Knob
24	128202	Rod, Shift
25	76020416	Pin, Cotter 1/8 x 1
26	73810500	Nut, Hex, Nylon 5/16-24
27	73510500	Nut, Keps 5/16-18
28	128085	Spring, Extension
30	123692X	Retainer, Knob
31	123409X	Spacer
33	73680600	Nut, Crownlock 3/8-16
34	11050500	Washer, Lock, External Tooth 5/16
35	12000001	E-Ring

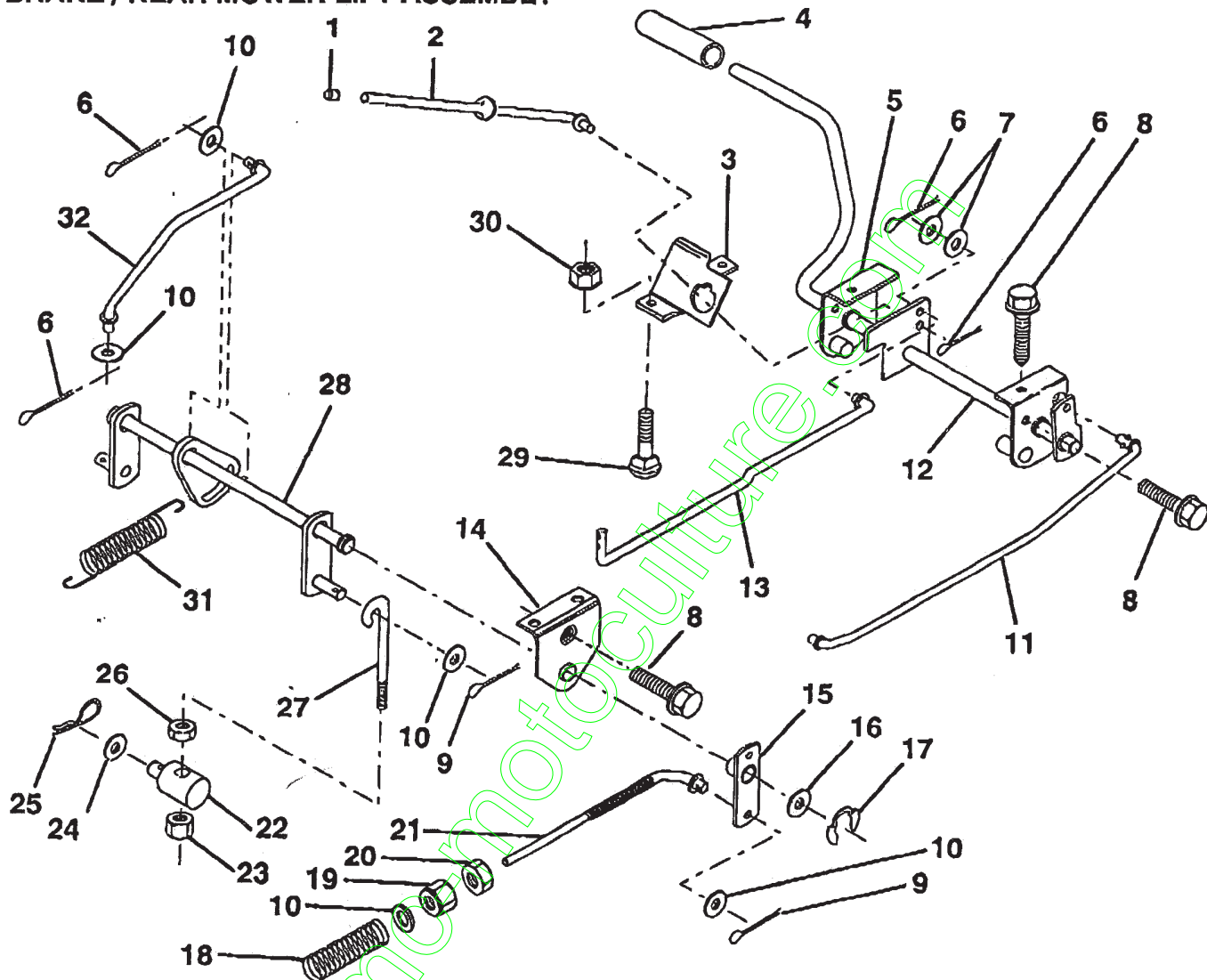
NOTE: All component dimensions given in U.S. Inches
1 Inch = 25.4 mm

HARDWARE SHOWN LARGER FOR EASIER IDENTIFICATION

REPAIR PARTS

12 HP 38" LAWN TRACTOR - - MODEL NUMBER S12R38A

BRAKE / REAR MOWER LIFT ASSEMBLY



KEY PART NO. NO.

DESCRIPTION

1	71673	Cap, Plunger
2	123436X	Rod, Parking Brake
3	123437X	Bracket, Parking Brake
4	8883R	Cover, Pedal
5	132205	Bracket Assy., Clutch Pedal, LH
6	76020312	Pin, Cotter 3/32 x 3/4
7	19131016	Washer 13/32 x 5/8 x 16 Gauge
8	17490508	Screw, Hex, Thd. Roll. 5/16-18 x 1/2
9	76020412	Pin, Cotter 1/8 x 3/4
10	19131316	Washer 13/32 x 13/16 x 16 Gauge
11	131656	Rod, Front Brake
12	132563	Assembly, Clutch/Brake Pedal
13	123394X	Rod, Clutch
14	121978X	Bracket, Lift, Shaft
15	133332	Assembly, Brake, Pivot, Arm
16	19251816	Washer 25/32 x 1-1/8 x 16 Gauge
17	12000034	Ring, Klip

KEY PART NO. NO.

DESCRIPTION

18	106888X	Spring, Brake Rod
19	73350600	Nut, Hex, Jam 3/8-16 UNC
20	73680600	Nut, Crownlock 3/8-16 UNC
21	131460	Rod, Rear Brake
22	127378	Trunnion, Lift
23	73680600	Nut, Crownlock 3/8-16 UNC
24	19132012	Washer 13/32 x 1-1/4 x 12 Gauge
25	4921H	Spring, Retainer
26	73930800	Nut, Centerlock 3/8-16 UNC
27	132218	Link, Threaded
28	132221	Assembly, Rear Mower Lift
29	72110506	Bolt, Carriage 5/16-18 UNC x 3/4
30	73510500	Nut, Keps 5/16-18 UNC
31	133095	Spring, Counterbalance
32	133721	Link, Lift Lever

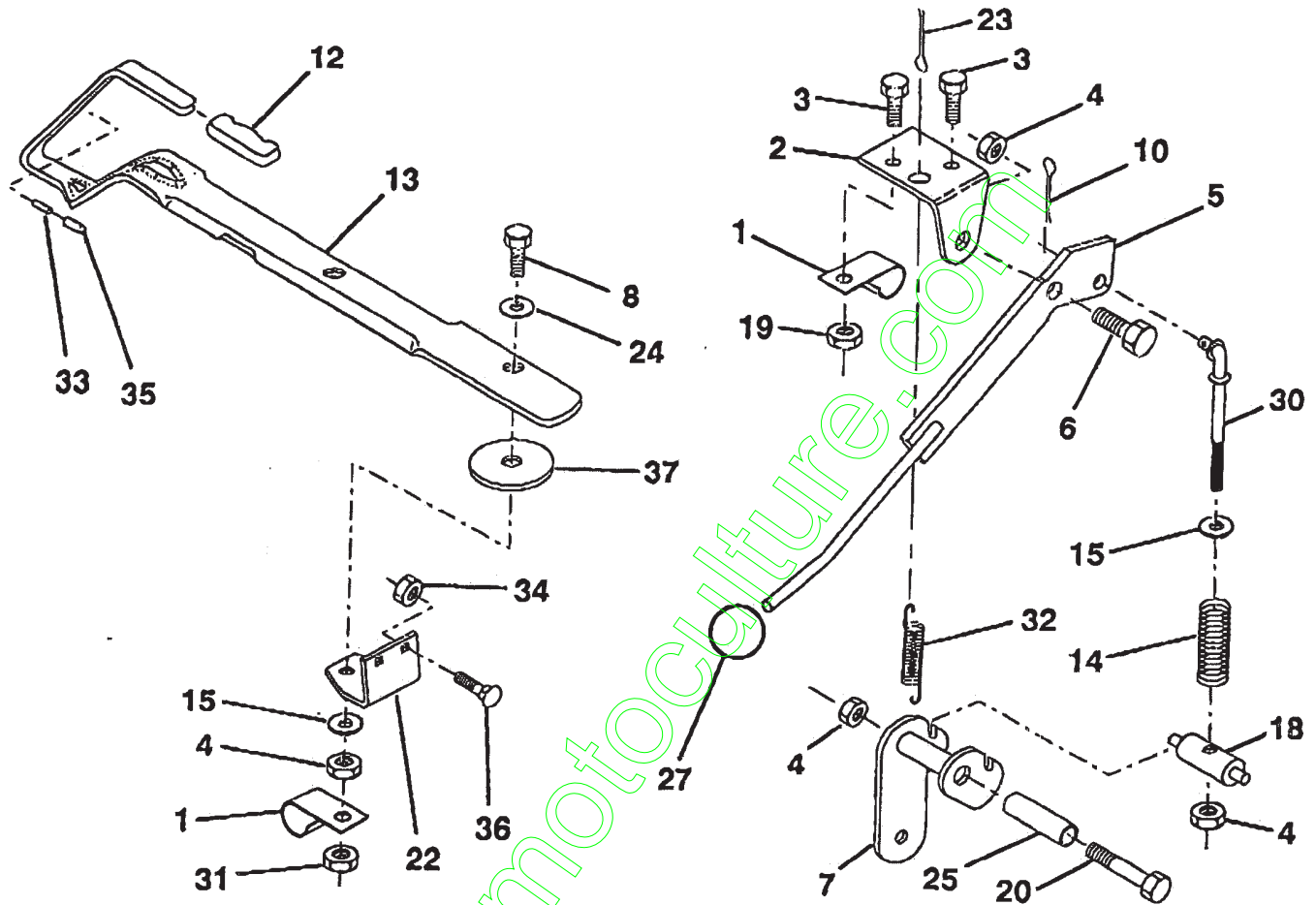
NOTE: All component dimensions given in U.S. inches
1 inch = 25.4 mm

HARDWARE SHOWN LARGER FOR EASIER IDENTIFICATION

REPAIR PARTS

12 HP 38" LAWN TRACTOR - - MODEL NUMBER S12R38A

MOWER LIFT LEVER



KEY PART NO. NO.

KEY PART NO.	NO.	DESCRIPTION
1	126470X	Clip, Fuel Line
2	122018X	Bracket, Mower Clutch
3	74780408	Bolt, Hex, Fin 1/4-20 UNC x 1/2 Grade 5
4	73680600	Nut, Crownlock 3/8-16 UNC
5	132552	Assembly, Clutch Lever
6	106451X	Bolt, Shoulder
7	135110	Assembly, Mower Clutch Arm
8	74930624	Bolt, Hex 3/8-16 x 1-1/2
10	76020412	Pin, Cotter 1/8 x 3/4
12	132929	Handle, Lift Lever
13	133761	Assembly, Lift Handle
14	133939	Spring, Compression, Clutch
15	19131616	Washer 13/32 x 1 x 16 Gauge
18	135107	Trunnion
19	73680400	Nut, Crownlock 1/4-20

KEY PART NO. NO.

KEY PART NO.	NO.	DESCRIPTION
20	74760644	Bolt, Hex, Fin. 3/8-16 UNC x 2-3/4
22	132561	Bracket, Lift Lever
23	76020312	Pin, Cotter 3/32 x 3/4
24	7672J	Washer 25/64 x 1-1/4 x 12 Gauge
25	121933X	Tube, Spacer
27	121466X	Knob
30	135039	Rod, Tension, Clutch
31	73930600	Nut, Centerlock 3/8-16
32	133435	Spring, Extension, Return
33	407H	Pin, Roll
34	73680500	Nut, Crownlock 5/16-18
35	133603	Cap, Vinyl, Red
36	72140506	Bolt, Carriage 5/16-18 x 3/4

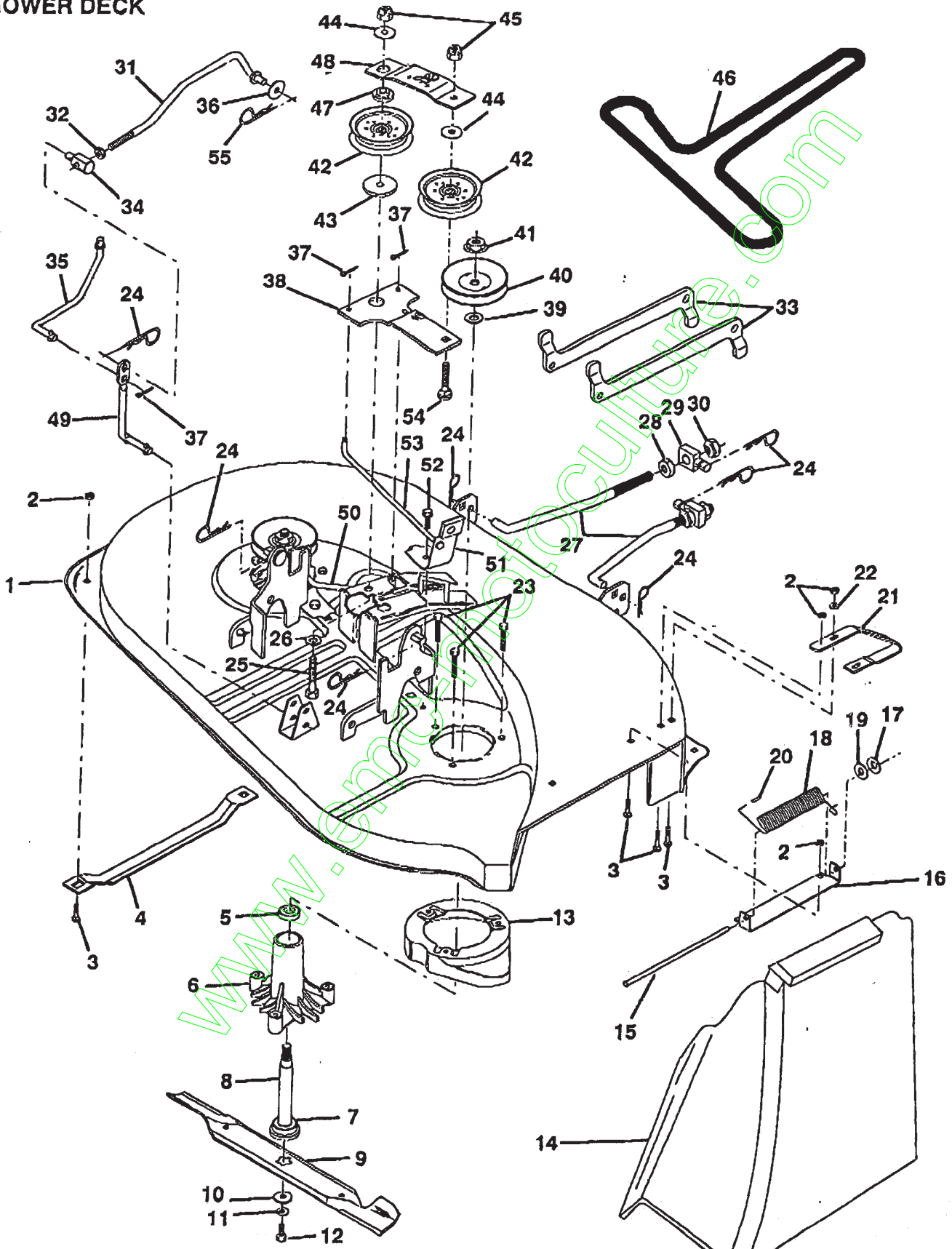
NOTE: All component dimensions given in U.S. Inches
1 inch = 25.4 mm

HARDWARE SHOWN LARGER FOR EASIER IDENTIFICATION

REPAIR PARTS

12 HP 38" LAWN TRACTOR - - MODEL NUMBER S12R38A

MOWER DECK



REPAIR PARTS

12 HP 38" LAWN TRACTOR - - MODEL NUMBER S12R38A

MOWER DECK

KEY NO.	PART NO.	DESCRIPTION	KEY NO.	PART NO.	DESCRIPTION
1	132564	Mower Deck Assembly	31	132553	Rod, Clutch, Primary
2	73680500	Nut, Crownlock 5/16-18	32	73350600	Nut, Hex, Jam 3/8-16
3	72140506	Bolt, Carriage 5/16-18 x 3/4	33	132559	Arm, Suspension, Rear
4	7631J	Runner, L.H.	34	133604	Trunnion 3/8-16
5	110485X	Bearing	35	132554	Rod, Clutch, Secondary
6	128774	Housing, Mandrel	36	19131316	Washer 13/32 x 13/16 x 16 Gauge
7	129895	Bearing	37	76020312	Pin, Cotter 3/32 x 3/4
8	133172	Shaft & Bearing Assembly, Mandrel (includes key #7)	38	133840	Idler Arm
9	127842	Blade, High Performance	39	129963	Washer .150 Thick
10	129962	Washer, Hard	40	129206	Pulley, Mandrel
11	10030600	Washer, Lock 3/8	41	73050900	Nut, Flangelock 9/16
12	850857	Bolt 3/8-24 x 1-1/4 Grade 8	42	131494	Pulley, Flat Idler
13	128961	Stripper, Mower, Vented	43	122052X	Spacer, Retainer
14	106736X	Shield, Deflector	44	19131612	Washer 13/32 x 1 x 12 Gauge
15	106735X	Rod, Hinge	45	73680600	Nut, Crownlock 3/8-16
16	105896X	Bracket Assembly, Deflector	46	131290	Belt
17	110452X	Pushnut	47	133502	Spacer, Idler Arm
18	106734X	Spring, Deflector	48	133503	Stiffener, Idler Arm
19	19111016	Washer 11/32 x 5/8 x 16 Gauge	49	133551	Rod, Pivot
20	105304X	Cap, Sleeve	50	131289	Rod, Brake, L.H.
21	128772	Runner, R.H.	51	130840	Brake Assembly
22	19111216	Washer 11/32 x 3/4 x 16 Gauge	52	17490512	Screw, Hex Washer Head, Thd., Roll. 5/16-18 x 3/4
23	78158	Bolt 5/16-18 x 1-1/4	53	131288	Rod, Brake, R.H.
24	4939M	Retainer, Spring	54	72110614	Bolt, Carriage 3/8-16 x 1-3/4 Grade 5
25	74600636	Bolt, Carriage 3/8-16 x 2-1/4	55	4921H	Spring, Retainer
26	19131612	Washer 13/32 x 1 x 12 Gauge	--	134578	Mower Deck, Complete
27	132956	Link Assembly, Front	--	130794	Mandrel Asm (Includes Key #'s 5-8, 10-12, 39 and 41)
28	73350800	Nut, Hex, Jam 1/2-13 UNC			
29	130171	Trunnion			
30	73800800	Locknut with Washer Insert 1/2-13 UNC			

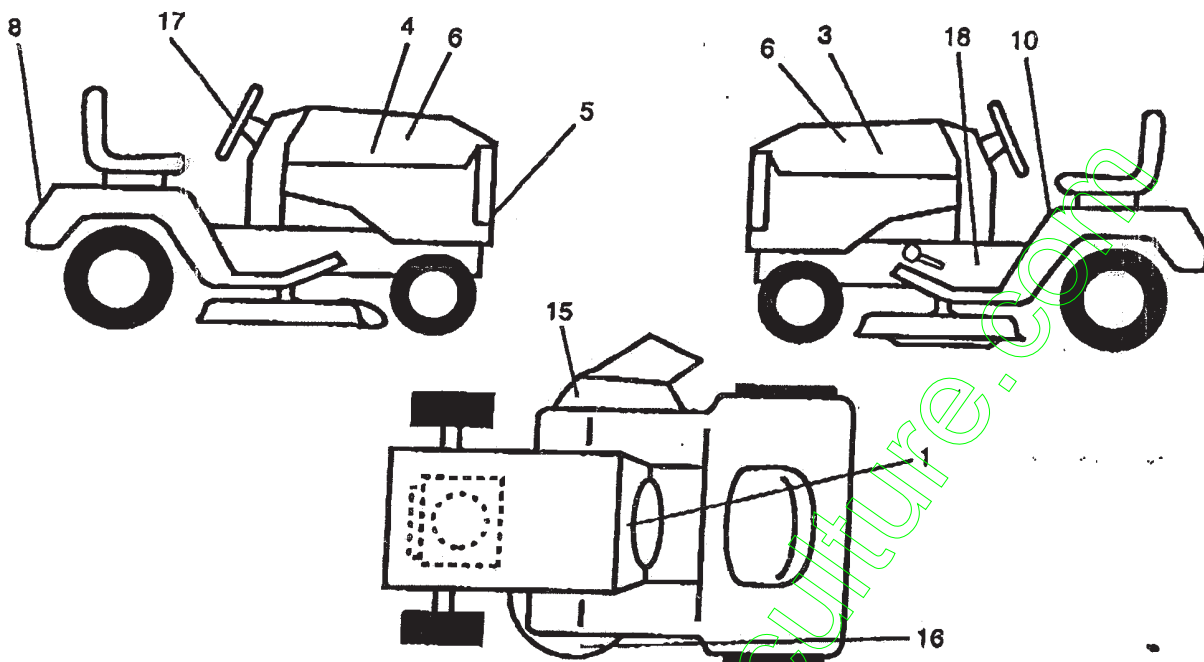
NOTE: All component dimensions given in U.S. Inches
1 inch = 25.4 mm

HARDWARE SHOWN LARGER FOR EASIER IDENTIFICATION

REPAIR PARTS

Attn: Louise (Dixie)
From: Rhonda (AYD)

12 HP 38" LAWN TRACTOR - - MODEL NUMBER S12R38A



KEY PART NO. NO.

- 1 123637X
- 3 134664
- 4 134663
- 5 133962
- 6 134665
- 8 123689X

DESCRIPTION

- Decal, Instruction, Engine
- Decal, Hood, L.H.
- Decal, Hood, R.H.
- Decal, Grille
- Decal, Side Panel
- Decal, Fender

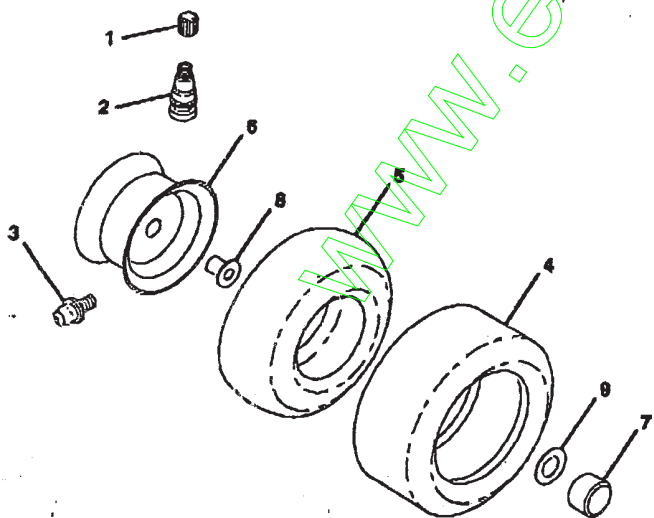
KEY PART NO. NO.

- 10 133795
- 15 121349X
- 16 109820X
- 17 133964
- 18 132928
- 134595
- 134594

DESCRIPTION

- Decal, Caution
- Decal, Danger
- Decal, Rotating Blades
- Decal, Steering Wheel
- Decal, Frame
- Manual, Operator's, English
- Manual, Operator's, French

WHEELS & TIRES



KEY PART NO. NO.

- 1 59192
- 2 65139
- 3 278H
- 4 132696
- 5 59904
- 8134H
- 6 122394X361
- 123412X361
- 7 104757X
- 8 9040H
- 9 121748X

DESCRIPTION

- Cap, Valve
- Stem, Valve
- Fitting, Grease (Front Only)
- Tire, Front
- Tire, Rear
- Tube, Tire, Front
- (Not Supplied, Service Item Only)
- Tube, Tire, Rear
- (Not Supplied, Service Item Only)
- Rim, Front
- Rim, Rear
- Cap, Axle (Front and Rear)
- Bearing, Flange (Front only)
- Washer 25/32 x 1-5/8 x 16 Gauge

NOTE: All component dimensions given in U.S. inches
1 Inch = 25.4 mm

HARDWARE SHOWN LARGER FOR EASIER IDENTIFICATION

