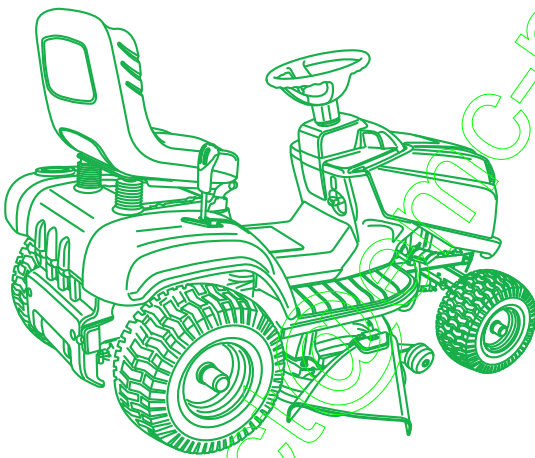


ILLUSTRATED PARTS LIST

SDS 98



contact@mc-motoculture.com

- Use GLOBAL GARDEN PRODUCT Genuine Spare Parts specified in the parts list for repair and/or replacement.
- The contents described in the parts list may change due to improvement.
- The drawings of the spare parts are only indicative and might not represent the part in question exactly.
- The indications "right" - "left" - "front" - "rear" refer to the position of the operator when using the machine.
- When placing orders of parts for repair and/or replacement, make sure that the illustrated parts list is the one applying to the machine's year of manufacture, as shown on the identification plate attached to the machine.

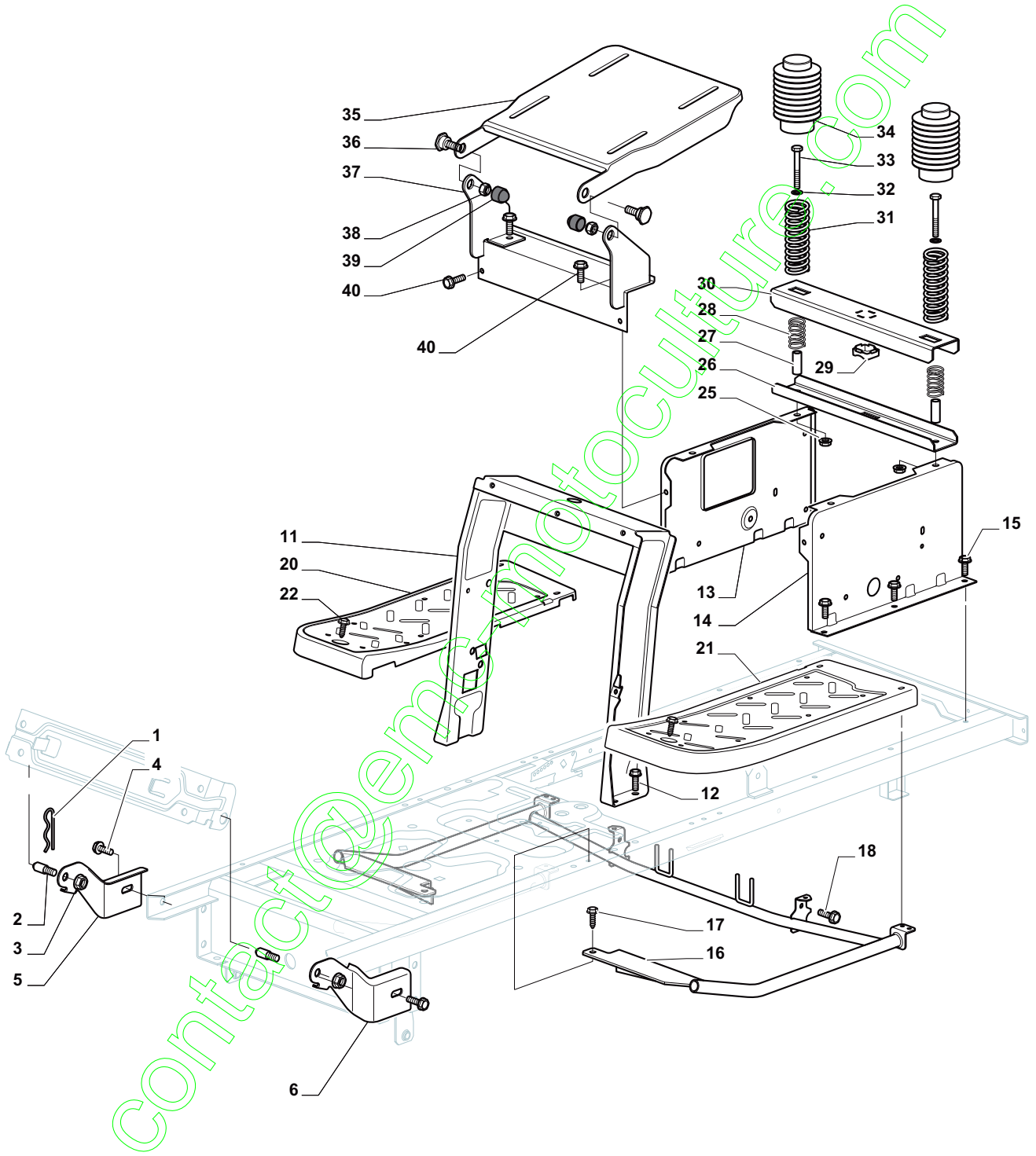
© Copyright 2012 Global Garden Products

All content is subject to copyright by Global Garden Products and may not be reproduced in whole or in part by any means, electronic or otherwise, without prior written approval.

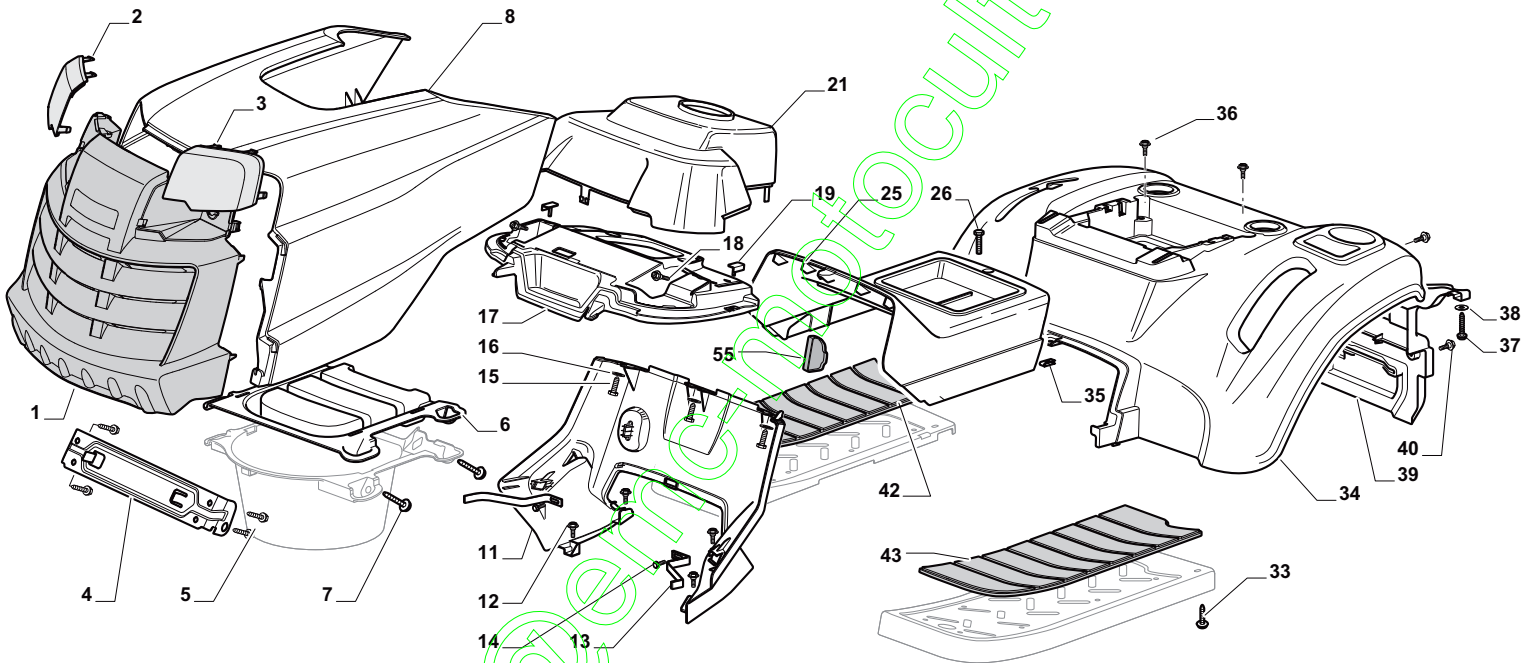
THIS INFORMATION IS NOT INTENDED FOR SALE OR RESALE, AND THIS NOTICE MUST REMAIN ON ALL COPIES.



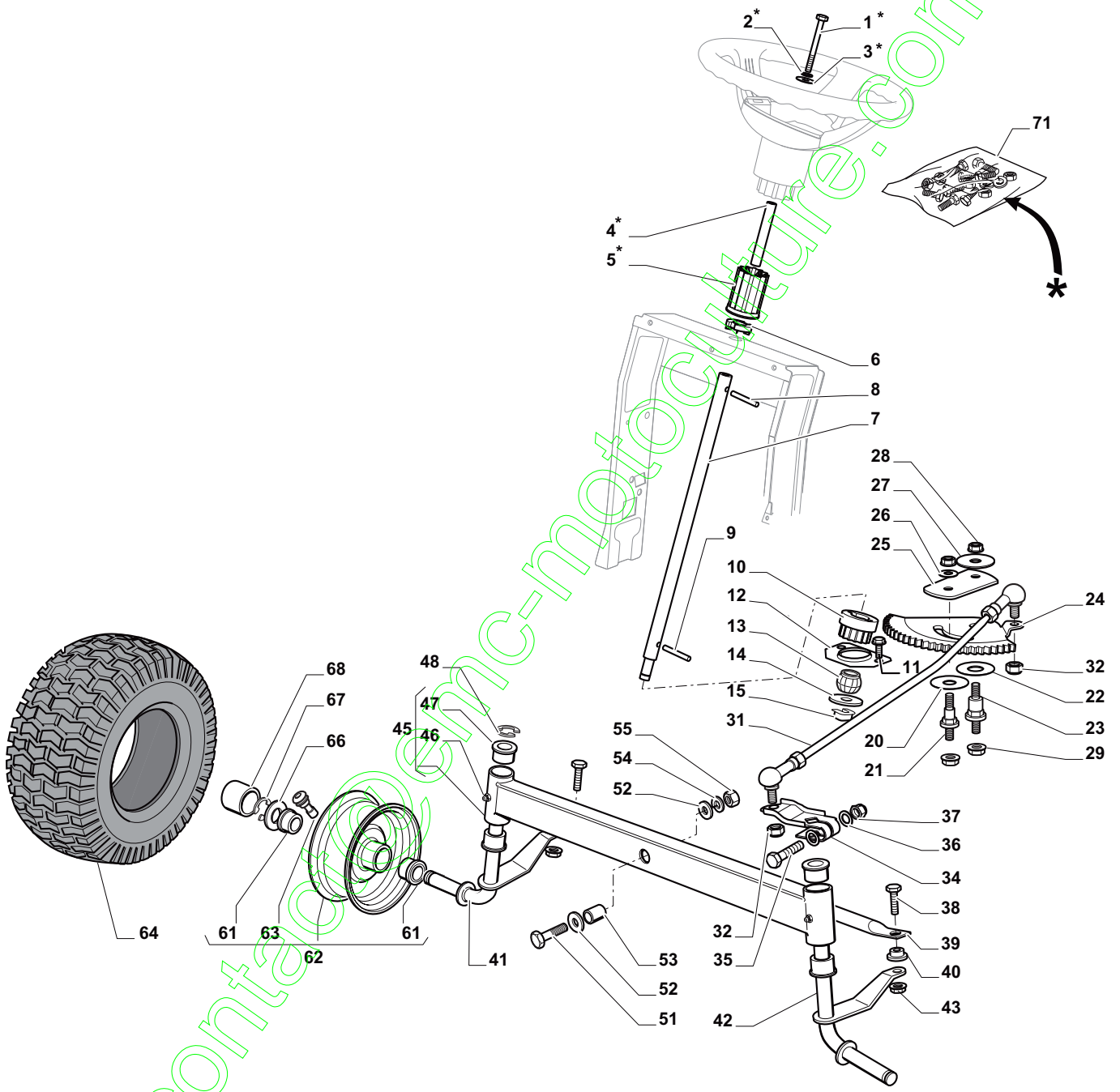
GLOBAL GARDEN PRODUCTS



Chassis							
POS	CODE	Q.TY	DESCRIZIONE	DESCRIPTION	DESCRIPTION	BESCHREIBUNG	NOTES
1	24487998/0	1	Coppiglia	Cotter Pin	Goupille	Splint	
2	25510079/0	2	Perno	Pin	Pivot	Augenabscheider	
3	12154210/0	2	Dado	Nut	Ecrou	Mutter	
4	12735599/0	2	Vite	Screw	Vis	Schraube	
5	325547225/0	1	Piastrina Destra	Right Plate	Plaque Droite	Rechte Platte	
6	325547227/0	1	Piastrina Sinistra	Left Plate	Plaque Gauche	Linke Platte	
11	382785169/1	1	Supporto Piantone	Steering Column Support	Support Tube De Directiontube De Direction	Lenkungsaeulehalter	
12	125943009/0	4	Vite	Screw	Vis	Schraube	
13	325785331/1	1	Supporto Sedile Destro	Right Seat Support	Support Siege Droite	Rechte Sitzhalter	
14	325785333/1	1	Supporto Sedile Sinistro	Left Seat Support	Support Siege Gauche	Linke Sitzhalter	
15	125943009/0	6	Vite	Screw	Vis	Schraube	
16	382785179/0	1	Supporto Pedana	Footboard Support	Support Marchepied	Fussbretthalter	
17	125943009/0	2	Vite	Screw	Vis	Schraube	
18	125943009/0	2	Vite	Screw	Vis	Schraube	
20	325500041/1	1	Pedana Destra	Right Footboard	Marchepied Droite	Rechte Fussbrett	
21	325500043/1	1	Pedana Sinistra	Left Footboard	Marchepied Gauche	Linke Fussbrett	
22	12735599/0	2	Vite	Screw	Vis	Schraube	
25	12293201/0	2	Dado	Nut	Ecrou	Mutter	
26	325820109/1	1	Supporto Sedile	Seat Support	Support Siege	Sitzhalter	
27	125160048/0	2	Distanziale	Spacer	Entretoise	Entfernungsstück	
28	125430263/0	2	Molla	Spring	Ressort	Feder	
29	325060038/0	1	Camma	Cam	Came	Nocken	
30	325820105/1	1	Supporto	Support	Support	Halter	
31	125430264/0	2	Molla	Spring	Ressort	Feder	
32	12521350/0	2	Rondella	Washer	Rondelle	Scheibe	
33	12691400/0	2	Vite	Screw	Vis	Schraube	
34	325122002/0	2	Cuffia	Hood	Protecteur	Schutzkasten	
35	382547061/0	1	Piastra	Plate	Plaque	Platte	
36	22524970/2	2	Perno	Pin	Pivot	Bolzen	
37	382820151/0	1	Supporto Sedile	Seat Support	Support Siege	Sitzhalter	
38	12155010/0	2	Dado	Nut	Ecrou	Mutter	
39	118203854/0	2	Cappuccio	Protection	Capuchon	Stecker	
40	125943009/0	4	Vite	Screw	Vis	Schraube	



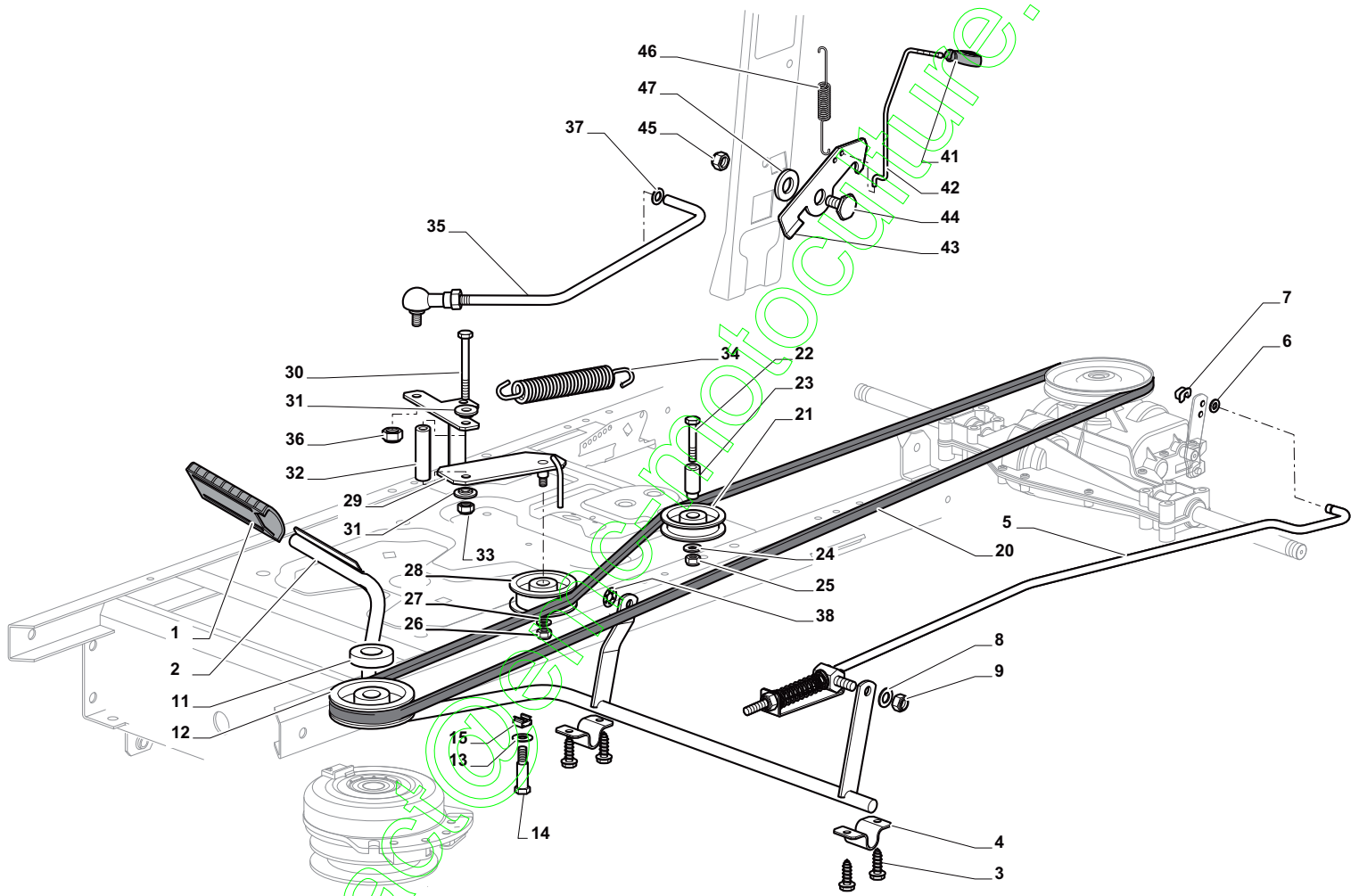
Body							
POS	CODE	Q.TY	DESCRIZIONE	DESCRIPTION	DESCRIPTION	BESCHREIBUNG	NOTES
1	325076914/0	1	Cofano Frontale,Grigio	Hood, Front,Grey	Capot Avant,Gris	Vorde Haube,Grau	
1	325076922/0	1	Cofano Frontale,Nero	Hood, Front,Black	Capot Avant,Noire	Vorde Haube,Schwarz	
2	325410903/0	1	Mascherina Destra	Right Grill	Panneau Droite	Rechte Schutz	
3	325410904/0	1	Mascherina Sinistra	Left Grill	Panneau Gauche	Linke Schutz	
4	325785365/0	1	Supporto Cofano	Engine Hood Support	Support Capot	Haubesatzhalter	
5	12735403/0	4	Vite	Screw	Vis	Schraube	
6	325263302/1	1	Griglia Aspirazione	Air Intake Grill	Grille D'Aspiration	Ansauggitter	
7	112728692/0	4	Vite	Screw	Vis	Schraube	
8	325076939/0	1	Cofano Verde	Engine Hood Green	Capot Vert	Haubesatz Grun	
8	325076912/0	1	Cofano Giallo	Engine Hood Yellow	Capot Jaune	Haubesatz Gelb	
8	325076913/0	1	Cofano Nero	Engine Hood Black	Capot Noir	Haubesatz Schwarz	
11	325785298/0	1	Supporto Cruscotto	Dashboard Support	Support Tableau	Konsolehalter	
12	125943010/0	4	Vite	Screw	Vis	Schraube	
13	325270325/0	2	Guida	Guide	Guide	Führung	
14	12735599/0	2	Vite	Screw	Vis	Schraube	
15	112735406/0	3	Vite	Screw	Vis	Schraube	
16	12523040/0	3	Rosetta	Washer	Rondelle	Scheibe	
17	325120202/1	1	Cruscotto	Dashboard	Tableau De Bord	Konsole	
18	125943010/0	2	Vite	Screw	Vis	Schraube	
19	325260003/0	2	Gommino	Grommet	Protection	Schutz	
21	325120203/0	1	Coperchio	Cover	Couvercle	Deckel	
25	325110448/0	1	Copertura Centrale, Verde	Cover, Green	Couvre, Vert	Kappe, Grun	
25	325110396/1	1	Copertura Centrale, Giallo	Cover, Yellow	Couvre, Jaune	Kappe, Gelb	
25	325110397/1	1	Copertura Centrale, Nero	Cover, Black	Couvre, noir	Kappe, Schwarz	
26	125943010/0	1	Vite	Screw	Vis	Schraube	
33	112735406/0	4	Vite	Screw	Vis	Schraube	
34	325110445/0	1	Copertura Ruote, Verde	Wheels Cover, Green	Couvre-Roues, Vert	Radenkappe, Grun	
34	325110399/0	1	Copertura Ruote, Giallo	Wheels Cover, Yellow	Couvre-Roues, Jaune	Radenkappe, Gelb	
34	325110400/0	1	Copertura Ruote Nero	Wheels Cover Black	Couvre Roues Noir	Radenkappe Schwarz	
35	112437506/0	1	Piastrina	Plate	Plaque	Platte	
36	125943010/0	2	Vite	Screw	Vis	Schraube	
37	112735406/0	2	Vite	Screw	Vis	Schraube	
38	12523040/0	2	Rosetta	Washer	Rondelle	Scheibe	
39	325547208/1	1	Piastra	Plate	Plaque	Platte	
40	125943010/0	2	Vite	Screw	Vis	Schraube	
42	325110384/0	1	Copripedana Destra	Right Footboardcover	Couvre Marchepied Dro.	Rechte Fussbrettdeckel	
43	325110385/0	1	Copripedana Sinistra	Left Footboard Cover	Couvre Marchepied Gau.	Linke Fussbrettdeckel	
55	325207191/0	1	Piastrina	Plate	Plaque	Platte	



Steering

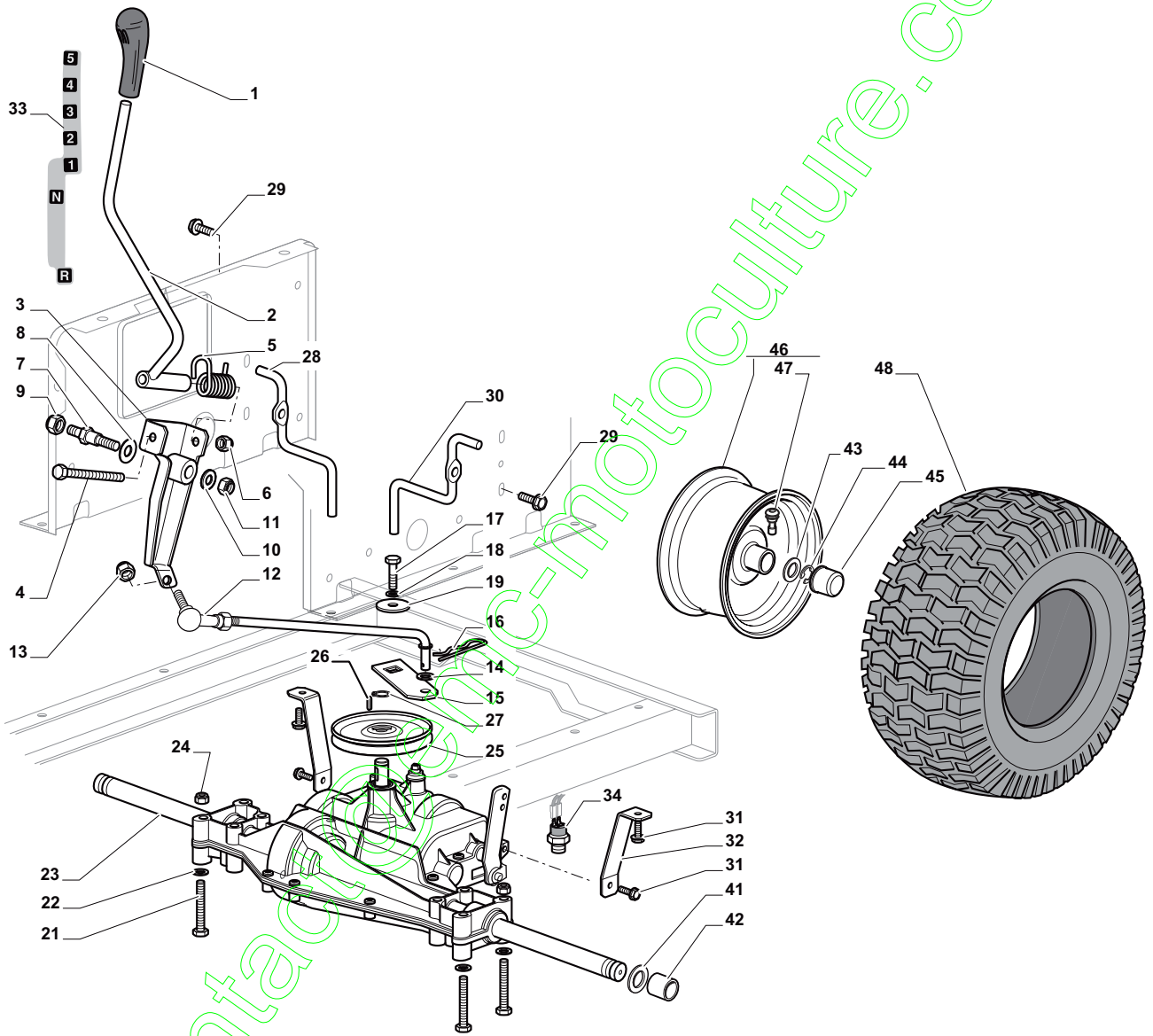
POS	CODE	Q.TY	DESCRIZIONE	DESCRIPTION	DESCRIPTION	BESCHREIBUNG	NOTES
1	12692050/0	1	Vite	Screw	Vis	Schraube	
2	12540260/0	1	Rondella	Washer	Rondelle	Scheibe	
3	12523070/0	1	Rondella	Washer	Rondelle	Scheibe	
4	125160047/0	1	Distanziale	Spacer	Entretoise	Entfernungsstück	
5	325785318/0	1	Supporto	Support	Support	Halter	
6	325038008/0	1	Boccola	Bush	Douille	Büchse	
7	125520007/0	1	Piantone	Steering Column	Tube De Direction	Lenkungsaeule	
8	112620300/0	1	Spina	Pin	Goupille	Stift	
9	12622650/0	1	Spina	Pin	Goupille	Stift	
10	125570003/0	1	Pignone	Pinion	Pignon	Ritzel	
11	27943051/0	2	Vite	Screw	Vis	Schraube	
12	325785213/1	1	Supporto	Support	Support	Halter	
13	25743000/0	1	Snodo	Joint	Joint	Gelenk	
14	12521370/0	1	Rondella	Washer	Rondelle	Scheibe	
15	12436030/0	1	Piastrina	Plate	Plaquette	Plattechen	
20	22672151/0	1	Rondella	Washer	Rondelle	Scheibe	
21	125510104/0	1	Perno	Pin	Pivot	Bolzen	
22	125670023/0	1	Rondella	Washer	Rondelle	Scheibe	
23	125510109/0	1	Perno	Pin	Pivot	Bolzen	
24	325735519/0	1	Settore	Steering Shaft	Arbre Direction	Lenkungswelle	
25	325547233/0	1	Piastra	Plate	Plaque	Platte	
26	12369500/0	1	Disco Elastico	Elastic Washer	Disque Elastique	Federscheibe	
27	22160400/0	1	Disco Elastico	Elastic Washer	Rondelle Elastique	Federscheibe	
28	12155010/0	2	Dado	Nut	Ecrou	Mutter	
29	12154210/0	2	Dado	Nut	Ecrou	Mutter	
31	382000566/1	1	Asta Comando Sterzo	Steering Rod	Barre De Direction	Lenkungsstab	
32	12156602/0	2	Dado	Nut	Ecrou	Mutter	
34	325318243/0	1	Leva Comando	Lever	Levier	Hebel	
35	12692390/0	1	Vite	Screw	Vis	Schraube	
36	12521360/0	2	Rondella	Washer	Rondelle	Scheibe	
37	12156602/0	1	Dado	Nut	Ecrou	Mutter	
38	125510103/0	2	Perno	Pin	Pivot	Bolzen	
39	325840029/0	1	Tirante Colleg. Fuselli	Tie Rod	Tirant	Spannstange	
40	325038007/0	2	Boccola	Bush	Douille	Büchse	
41	382230369/0	1	Fusello Destro 13 "	Right Stub Axle 13 "	Fuseau Droite 13 "	Rechter Achsschenkel 13 "	
41	382230373/0	1	Fusello Destro 15"	Right Stub Axle 15"	Fuseau Droite 15"	Rechter Achsschenkel 15"	
42	382230371/0	1	Fusello Sinistro 13 "	Left Stub Axle 13 "	Fuseau Gauche 13 "	Linker Achsschenkel 13 "	
42	382230375/0	1	Fusello Sinistro 15"	Left Stub Axle 15"	Fuseau Gauche 15"	Linker Achsschenkel 15"	
43	12155000/0	2	Dado	Nut	Ecrou	Mutter	
45	382034030/0	1	Bilanciere Con Boccola Ed Ingrassatore	Equalizer With Bush And Lubricator	Balancier Avec Douille Et Graisseur	Kipphebel Mit Büchse Und Fettbüchse	
46	12379511/0	2	Ingrassatore	Grease Dispenser	Graisseur	Fettbüchse	
47	25034002/1	4	Boccola	Bush	Douille	Büchse	
48	12001010/0	1	Anello Elastico	Snap Ring	Anneau Ressort	Sprengring	
51	12692695/0	1	Vite	Screw	Vis	Schraube	
52	12523100/0	2	Rondella	Washer	Rondelle	Scheibe	
53	25160016/0	1	Distanziale	Spacer	Entretoise	Entfernungsstück	
54	12587100/0	1	Grower	Grower	Grower	Grower	
55	12295300/0	1	Dado	Nut	Ecrou	Mutter	
61	25122200/2	4	Cuscinetto	Bearing	Roulement	Lager	
62	182000598/0	2	Cerchio Ruota	Rimm	Bandage Roue	Vorderrad Felger	
63	25950000/0	2	Valvola	Valve	Soupape	Ventil	
64	125590014/0	2	Pneumatico 13 "	Tire 13 "	Pneu 13 "	Reifen 13 "	
64	127590066/0	2	Pneumatico 15"	Tire 15"	Pneu 15"	Reifen 15"	
66	25670005/1	2	Rosetta	Washer	Rondelle	Scheibe	
67	12001010/0	2	Anello Elastico	Snap Ring	Anneau Ressort	Sprengring	
68	322110233/0	2	Coprizzo	Hub Cover	Couvre Moyeu	Nabendeckel	
70	382180124/0	1	Dotazione Viteria	Screws Outfit	Ensemble Des Vis	Schraubenausrüstung	

contactphoto.com

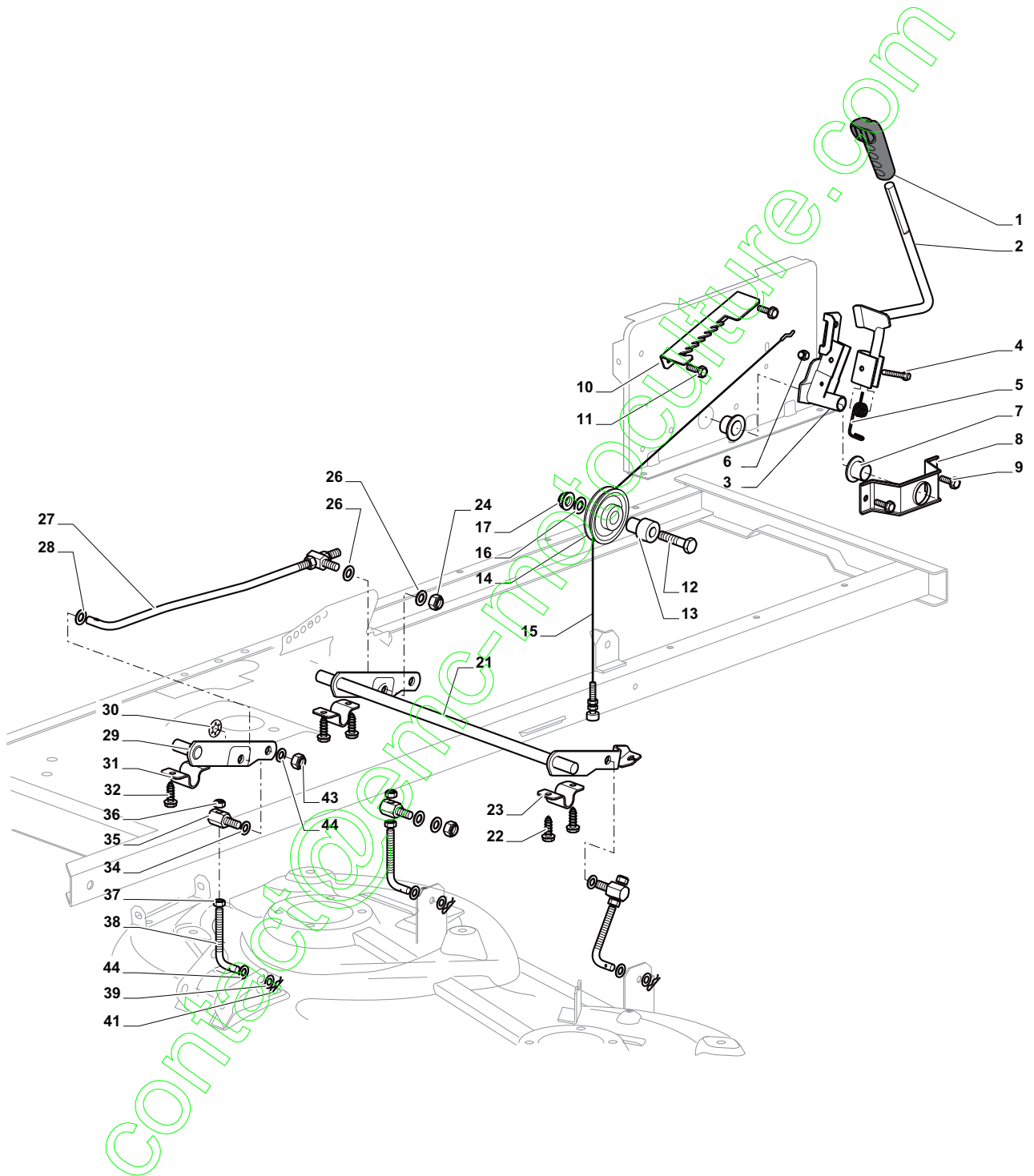


Brake And Gearbox Controls

POS	CODE	Q.TY	DESCRIZIONE	DESCRIPTION	DESCRIPTION	BESCHREIBUNG	NOTES
1	325110391/0	1	Coprstaffa	Clamp Cover	Couvre Etrier	Bridedeckel	
2	382500043/0	1	Pedale	Pedal	Pedal	Pedal	
3	12735599/0	4	Vite	Screw	Vis	Schraube	
4	325547231/0	2	Piastra	Plate	Plaque	Platte	
5	382000568/0	1	Asta	Rod	Barre	Stange	
6	12521350/0	1	Rondella	Washer	Rondelle	Scheibe	
7	12436050/0	1	Piastrina	Plate	Plaque	Platte	
8	25670011/0	1	Rondella	Washer	Rondelle	Scheibe	
9	12155000/0	1	Dado	Nut	Ecrou	Mutter	
11	25160021/0	1	Distanziale	Spacer	Entretoise	Entfernungsstück	
12	25601567/0	1	Puleggia	Pulley	Poulie	Riemenscheibe	
13	12524010/0	2	Rosetta	Washer	Rondelle	Scheibe	
14	25580030/0	2	Piolo Guidacinghia (Mecc.)	Belt Guide (Mech.)	Guide De Courroire (Mec.)	Riemenführung (Mech.)	
15	12360425/0	2	Dado (Mecc.)	Nut (Mech.)	Ecrou (Mec.)	Mutter (Mech.)	
20	135062013/0	1	Cinghia	Belt	Courroie	Riemen	
21	25601555/0	1	Puleggia	Pulley	Poulie	Riemenscheibe	
22	12691400/0	1	Vite	Screw	Vis	Schraube	
23	125160051/0	1	Distanziale	Spacer	Entretoise	Entfernungsstück	
24	12523060/0	1	Rondella	Washer	Rondelle	Scheibe	
25	12155000/0	1	Dado	Nut	Ecrou	Mutter	
26	12155000/0	1	Dado	Nut	Ecrou	Mutter	
27	12523060/0	1	Rondella	Washer	Rondelle	Scheibe	
28	25601554/0	1	Puleggia	Pulley	Poulie	Riemenscheibe	
29	382318235/0	1	Leva	Lever	Levier	Hebel	
30	12691600/0	1	Vite	Screw	Vis	Schraube	
31	25038002/1	2	Boccola	Bush	Douille	Büchse	
32	25160027/0	1	Distanziale	Spacer	Entretoise	Entfernungsstück	
33	12155000/0	1	Dado	Nut	Ecrou	Mutter	
34	125430262/0	1	Molla	Spring	Ressort	Feder	
35	382820016/0	1	Ass. Tirante	Tie Rod Ass.Y	Ens. Tirant	Spannstange, Komplet	
36	12293201/0	1	Dado	Nut	Ecrou	Mutter	
37	12521350/0	1	Rondella	Washer	Rondelle	Scheibe	
38	12604899/0	1	Fissatore A Corona	Crown Fastener	Fixateur A Couronne	Kronescheibe	
41	325394534/0	1	Manopolina	Knob	Poignee	Griff	
42	125033083/0	1	Asta	Rod	Barre	Stange	
43	325253011/1	1	Gancio	Hook	Crochet	Haken	
44	22524970/2	1	Perno	Pin	Pivot	Bolzen	
45	12155000/0	1	Dado	Nut	Ecrou	Mutter	
46	25430213/0	1	Molla	Spring	Ressort	Feder	
47	12523060/0	1	Rondella	Washer	Rondelle	Scheibe	

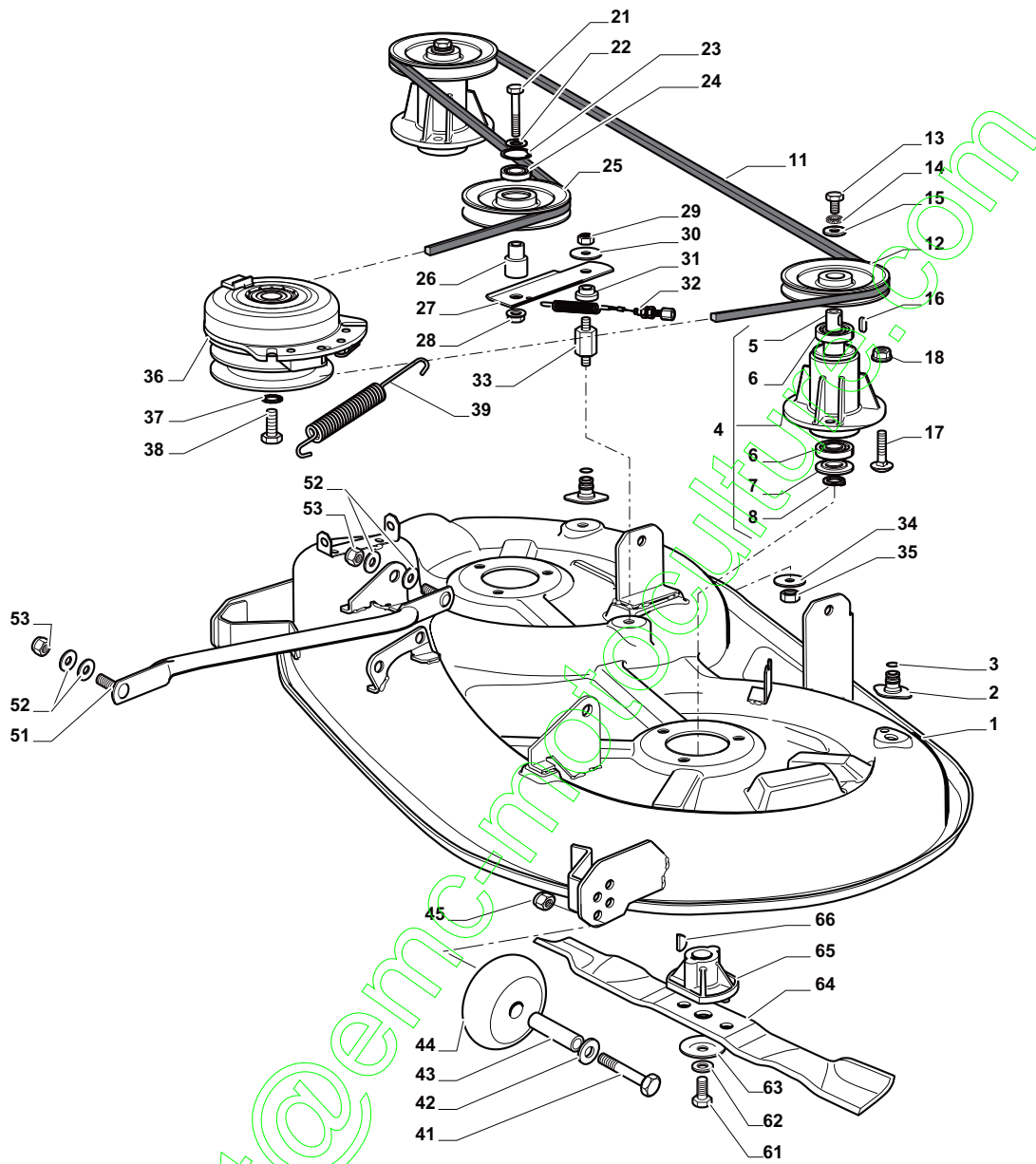


Transmission							
POS	CODE	Q.TY	DESCRIZIONE	DESCRIPTION	DESCRIPTION	BESCHREIBUNG	NOTES
1	325394532/0	1	Manopola	Knob	Poignee	Griff	
2	382318233/0	1	Leva	Lever	Levier	Hebel	
3	382774259/0	1	Staffa	Clamp	Etrier	Bride	
4	12692050/0	1	Vite	Screw	Vis	Schraube	
5	25430226/0	1	Molla	Spring	Ressort	Feder	
6	12155000/0	1	Dado	Nut	Ecrou	Mutter	
7	25510035/0	1	Perno	Pin	Pivot	Bolzen	
8	22672151/0	1	Rondella	Washer	Rondelle	Scheibe	
9	12293201/0	1	Dado	Nut	Ecrou	Mutter	
10	12523060/0	1	Rondella	Washer	Rondelle	Scheibe	
11	12155010/0	1	Dado	Nut	Ecrou	Mutter	
12	382000567/0	1	Asta	Rod	Barre	Stange	
13	12154210/0	1	Dado	Nut	Ecrou	Mutter	
14	12521340/0	1	Rosetta	Washer	Rondelle	Scheibe	
15	325318235/0	1	Leva	Lever	Levier	Hebel	
16	12141418/0	1	Coppiglia	Cotter Pin	Goupille	Splint	
17	12735520/0	1	Vite	Screw	Vis	Schraube	
18	12540040/0	1	Rosetta	Washer	Rondelle	Scheibe	
19	22680009/0	1	Rondella	Washer	Rondelle	Scheibe	
21	12691600/0	4	Vite	Screw	Vis	Schraube	
22	12521350/0	4	Rondella	Washer	Rondelle	Scheibe	
23	18400912/0	1	Asse Posteriore	Rear Axle	Axe Arriere	Hinterachse	Dana 4360-211
24	12155000/0	4	Dado	Nut	Ecrou	Mutter	
25	82601509/0	1	Puleggia	Pulley	Poulie	Riemenscheibe	
26	12139430/0	1	Linguetta	Key	Clavette	Keil	
27	12608950/0	1	Anello Elastico	Snap Ring	Anneau Ressort	Sprengring	
28	125270329/0	1	Guidacinghia	Belt Guide	Guide De Courroire	Riemenführung	
29	12735599/0	2	Vite	Screw	Vis	Schraube	
30	125270330/0	1	Guidacinghia	Belt Guide	Guide De Courroire	Riemenführung	
31	125943009/0	4	Vite	Screw	Vis	Schraube	
32	325785315/0	2	Supporto	Support	Support	Halter	
33	114363451/0	1	Etichetta	Label	Etiquette	Klebzettel	
34	19410610/0	1	Interrutt. Cambio	Gearbox Switch	Int. Boîte De Vitesse	Antrieb Schalter	
41	25670005/1	2	Rosetta	Washer	Rondelle	Scheibe	
42	125160055/0	2	Distanziale	Spacer	Entretoise	Entfernungsstück	
43	25670005/1	6	Rosetta	Washer	Rondelle	Scheibe	
44	12001010/0	2	Anello Elastico	Snap Ring	Anneau Ressort	Sprengring	
45	322110233/0	2	Coprizzo	Hub Cover	Couvre Moyeu	Nabendeckel	
46	382000597/0	2	Cerchio Ruota	Rimm	Bandage Roue	Hintrerrad Felger	
47	25950000/0	2	Valvola	Valve	Soupape	Ventil	
48	125590015/0	2	Pneumatico	Shoe	Pneu	Reifen	



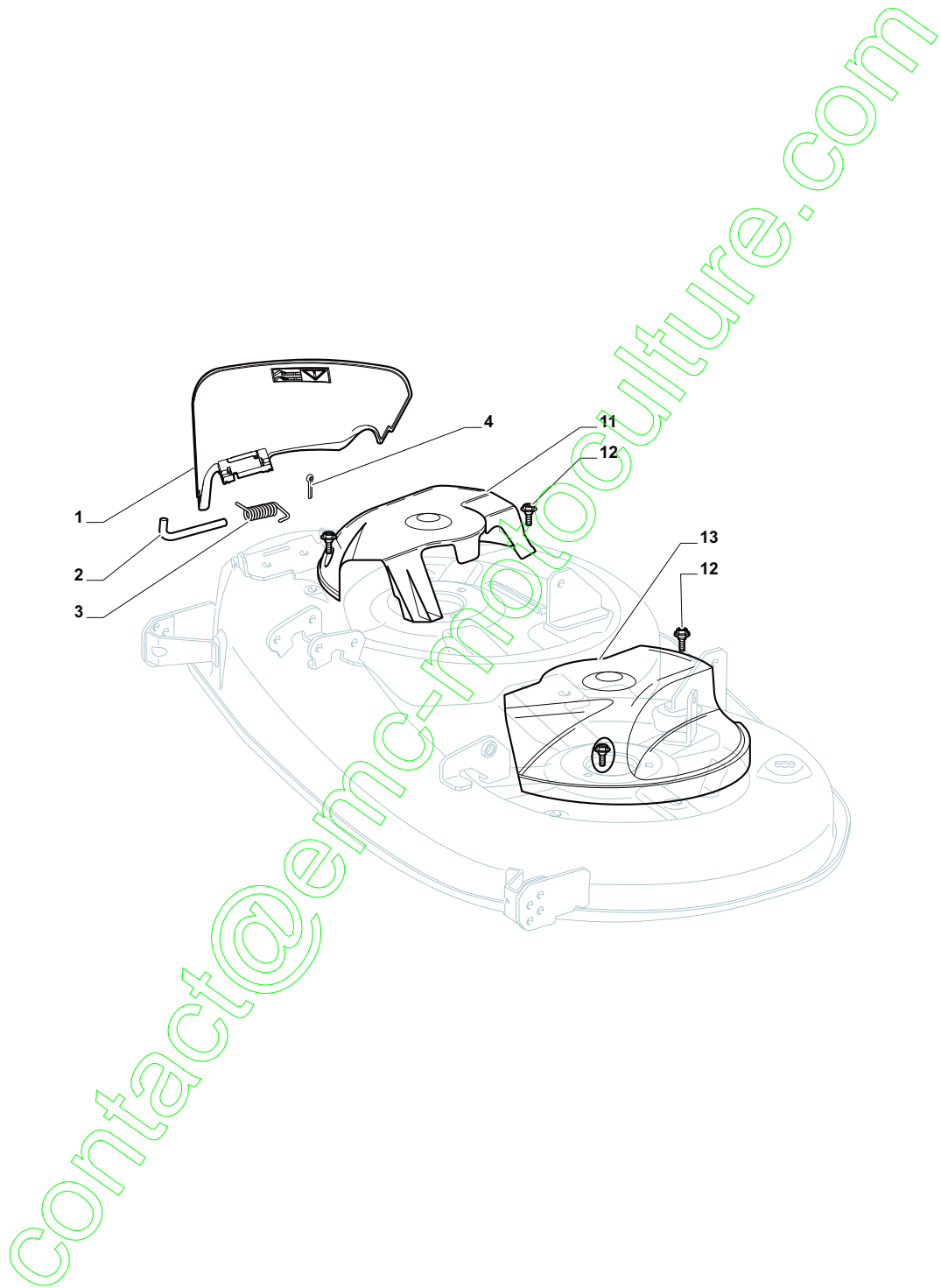
Cutting Plate Lifting

POS	CODE	Q.TY	DESCRIZIONE	DESCRIPTION	DESCRIPTION	BESCHREIBUNG	NOTES
1	325394533/0	1	Manopola	Knob	Poignee	Griff	
2	382318229/0	1	Leva	Lever	Levier	Hebel	
3	382318231/0	1	Asse Sollevamento	Axle	Axe	Achse	
4	12674700/0	1	Vite	Screw	Vis	Schraube	
5	125430261/0	1	Molla	Spring	Ressort	Feder	
6	12154510/0	1	Dado	Nut	Ecrou	Mutter	
7	325038006/0	2	Boccola	Bush	Douille	Büchse	
8	325785297/0	1	Supporto	Support	Support	Halter	
9	125943009/0	2	Vite	Screw	Vis	Schraube	
10	325735515/0	1	Settore	Steering Shaft	Arbre Direction	Lenkungswelle	
11	125943009/0	2	Vite	Screw	Vis	Schraube	
12	12793701/0	1	Vite	Screw	Vis	Schraube	
13	125040636/0	1	Bussola	Bush	Douille	Büchse	
14	125601579/0	1	Puleggia	Pulley	Poulie	Riemenscheibe	
15	382004620/0	1	Filo	Wire	Fil	Kabel	
16	12523060/0	1	Rondella	Washer	Rondelle	Scheibe	
17	12293201/0	1	Dado	Nut	Ecrou	Mutter	
21	382318239/0	1	Asse Sollevamento	Axle	Axe	Achse	
22	12735599/0	4	Vite	Screw	Vis	Schraube	
23	325547231/0	2	Piastra	Plate	Plaque	Platte	
24	12155000/0	1	Dado	Nut	Ecrou	Mutter	
26	25670011/0	2	Rondella	Washer	Rondelle	Scheibe	
27	382000569/1	1	Asta Collegamento	Connecting Rod	Tige De Connexion	Verbindungsstab	
28	12521350/0	1	Rondella	Washer	Rondelle	Scheibe	
29	382318237/0	1	Asse Sollevamento	Axle	Axe	Achse	
30	12604899/0	1	Fissatore A Corona	Crown Fastener	Fixateur A Couronne	Kronescheibe	
31	325547231/0	1	Piastra	Plate	Plaque	Platte	
32	12735599/0	2	Vite	Screw	Vis	Schraube	
34	25670008/1	3	Rondella	Washer	Rondelle	Scheibe	
35	125510107/1	3	Perno	Pin	Pivot	Bolzen	
36	12156602/0	3	Dado	Nut	Ecrou	Mutter	
37	12295200/0	3	Dado	Nut	Ecrou	Mutter	
38	25840012/0	3	Tirante	Tie Rod	Tirant	Spannstange	
39	12523060/0	3	Rondella	Washer	Rondelle	Scheibe	
41	24487998/0	3	Coppiglia	Cotter Pin	Goupille	Splint	
43	12156602/0	3	Dado	Nut	Ecrou	Mutter	
44	25670008/1	6	Rondella	Washer	Rondelle	Scheibe	



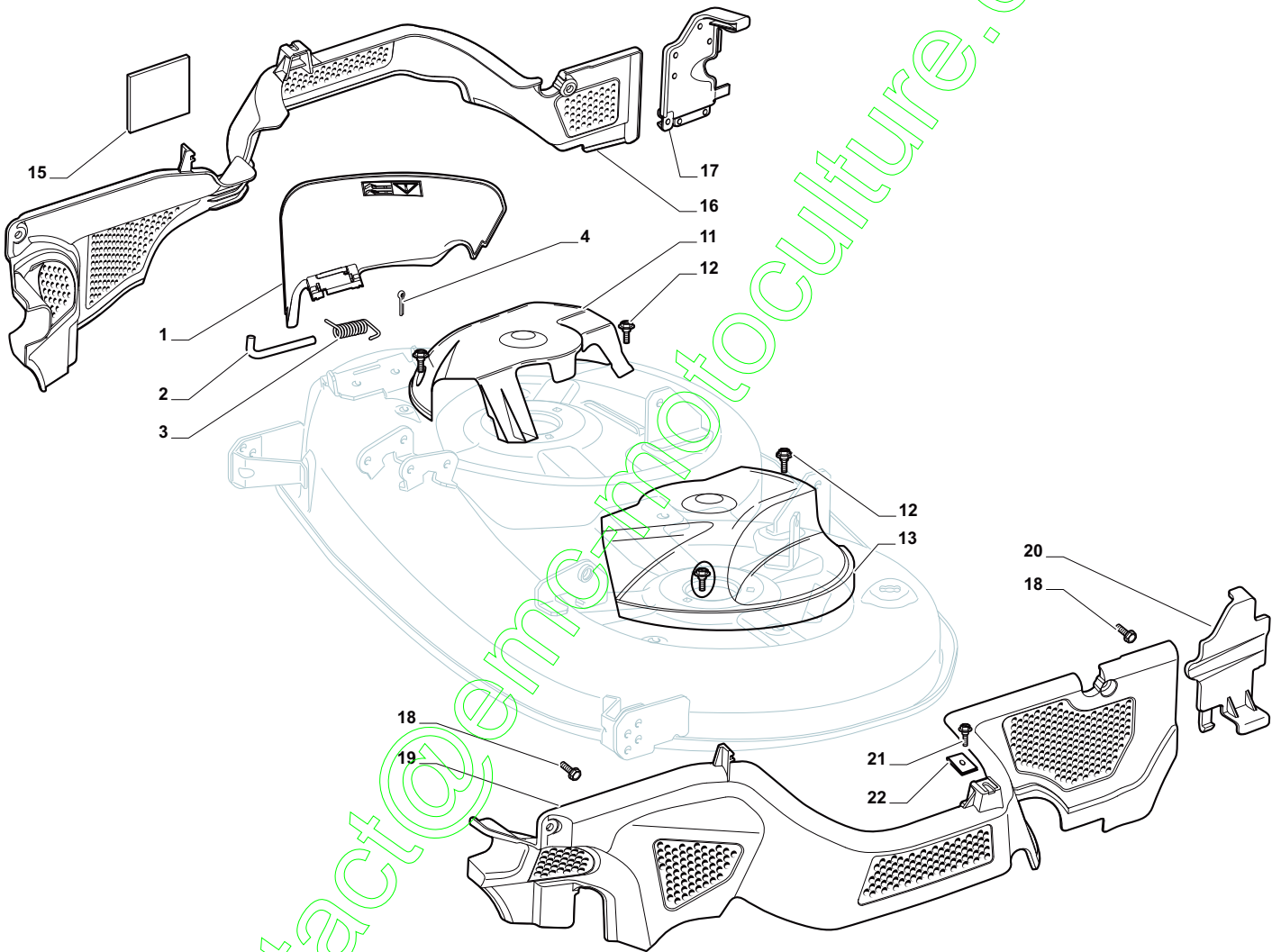
Cutting Plate

POS	CODE	Q.TY	DESCRIZIONE	DESCRIPTION	DESCRIPTION	BESCHREIBUNG	NOTES
1	382564209/0	1	Piatto, Nero	Plate	Plateau	Schneid	
2	325033086/0	2	Attacco Tubo Acqua	Water Hose Connection	Raccord Tuyau D'Eau	Wasseranschluss	
3	19035000/0	2	Anello Or	O Ring	O Ring	O Ring	
4	382207204/0	2	Ass. Flangia	Flange Ass.Y	Ensamble Bride	Nabe, Komplet	
5	125020804/0	2	Albero	Shaft	Arbre	Welle	
6	119216047/0	4	Cuscinetto	Bearing	Roulement	Kuegellager	
7	25160501/0	2	Disco Parapolvere	Dust Cover	Protege-Poussiere	Staubschuttscheibe	
8	12609260/0	2	Seeger	Seeger	Seeger	Seeger	
11	135061504/0	1	Cinghia	Belt	Courroie	Riemen	
12	25601571/0	2	Puleggia	Pulley	Poulie	Riemenscheibe	
13	12793102/0	2	Vite	Screw	Vis	Schraube	
14	12540260/0	2	Rondella	Washer	Rondelle	Scheibe	
15	25670007/0	2	Rosetta	Washer	Rondelle	Scheibe	
16	12139480/0	2	Chiavetta	Key	Clavette	Keil	
17	12818690/0	6	Vite	Screw	Vis	Schraube	
18	12154210/0	6	Dado	Nut	Ecrou	Mutter	
21	12691400/0	1	Vite	Screw	Vis	Schraube	
22	12524010/0	1	Rosetta	Washer	Rondelle	Scheibe	
23	12610800/0	1	Anello Elastico	Snap Ring	Anneau Ressort	Sprengring	
24	119216048/0	1	Cuscinetto	Bearing	Roulement	Kuegellager	
25	125601586/0	1	Puleggia	Pulley	Poulie	Riemenscheibe	
26	125160052/0	1	Distanziale	Spacer	Entretoise	Entfernungsstück	
27	325318232/0	1	Leva	Lever	Levier	Hebel	
28	12293201/0	1	Dado	Nut	Ecrou	Mutter	
29	12155020/0	1	Dado	Nut	Ecrou	Mutter	
30	125670022/0	1	Rondella	Washer	Rondelle	Scheibe	
31	125040635/0	1	Bussola	Bush	Douille	Büchse	
32	82004618/0	1	Filo	Wire	Fil	Kabel	
33	125160049/0	1	Distanziale	Spacer	Entretoise	Entfernungsstück	
34	12523080/0	1	Rosetta	Washer	Rondelle	Scheibe	
35	12156602/0	1	Dado	Nut	Ecrou	Mutter	
36	118399063/0	1	Frizione	Clutc	Embrajage	Kupplung	
37	12543000/0	1	Rosetta	Washer	Rondelle	Scheibe	
38	12737320/0	1	Vite	Screw	Vis	Schraube	
39	122430277/0	1	Molla	Spring	Ressort	Feder	
41	12692050/0	2	Vite	Screw	Vis	Schraube	
42	12523060/0	2	Rondella	Washer	Rondelle	Scheibe	
43	25510072/0	2	Distanziale	Spacer	Entretoise	Entfernungsstück	
44	82700001/0	2	Ruotino Antiscalpo Ø 100	Anti Scalp Wheel Ø 100	Roulettes Antiscalp Ø 100	Skalpierschutzrädchen Ø 100	
45	12293201/0	2	Dado	Nut	Ecrou	Mutter	
51	382000565/0	2	Asta Bilanciere	Equalizer Rod	Tige Balancier	Kipphebel	
52	25670008/1	8	Rondella	Washer	Rondelle	Scheibe	
53	12156602/0	4	Dado	Nut	Ecrou	Mutter	
61	12735694/0	2	Vite	Screw	Vis	Schraube	
62	12523080/0	2	Rosetta	Washer	Rondelle	Scheibe	
63	22160400/0	2	Disco Elastico	Elastic Washer	Rondelle Elastique	Federscheibe	
64	82004346/0	2	Coltello	Blade	Lame	Messer	
65	25463200/0	2	Mozzo Coltello	Blade Hub	Moyeu Lame	Messerhalter	
66	12139100/0	2	Linguetta	Feather	Clavette	Keil	



Guards							
POS	CODE	Q.TY	DESCRIZIONE	DESCRIPTION	DESCRIPTION	BESCHREIBUNG	NOTES
1	325600077/1	1	Protezione Uscita	Exit Protection	Protection En Sortie	Auswurfschutz	
2	25510073/0	1	Perno	Pin	Pivot	Bolzen	
3	125430242/1	1	Molla	Spring	Ressort	Feder	
4	12141418/0	1	Coppiglia	Cotter Pin	Goupille	Splint	
11	325600078/0	1	Carter	Case	Carter	Blech	
12	125943006/0	4	Vite	Screw	Vis	Schraube	
13	325600079/0	1	Carter	Case	Carter	Blech	

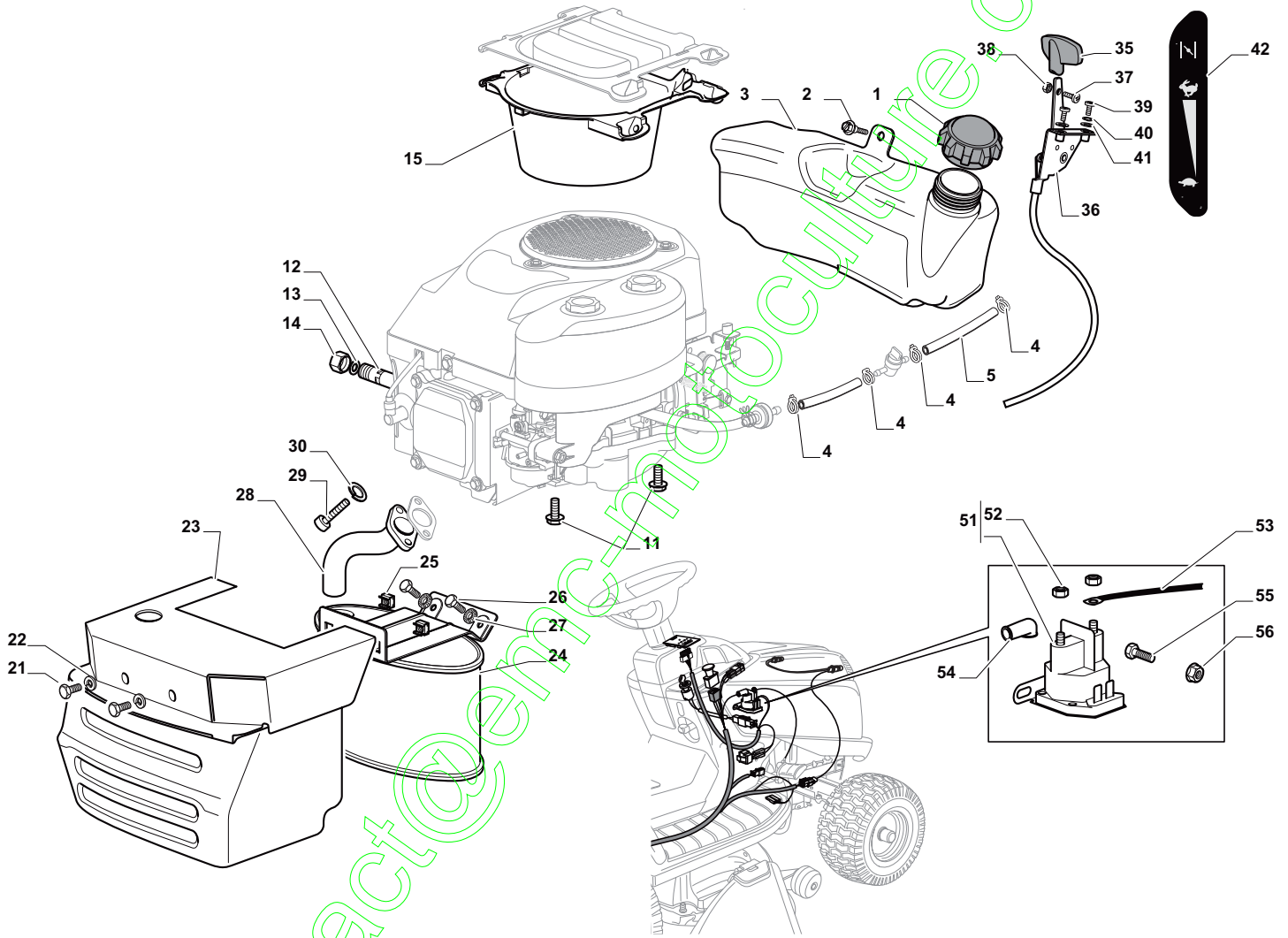
contact@emc-motoculture.com



contact@emc-motoculture.com

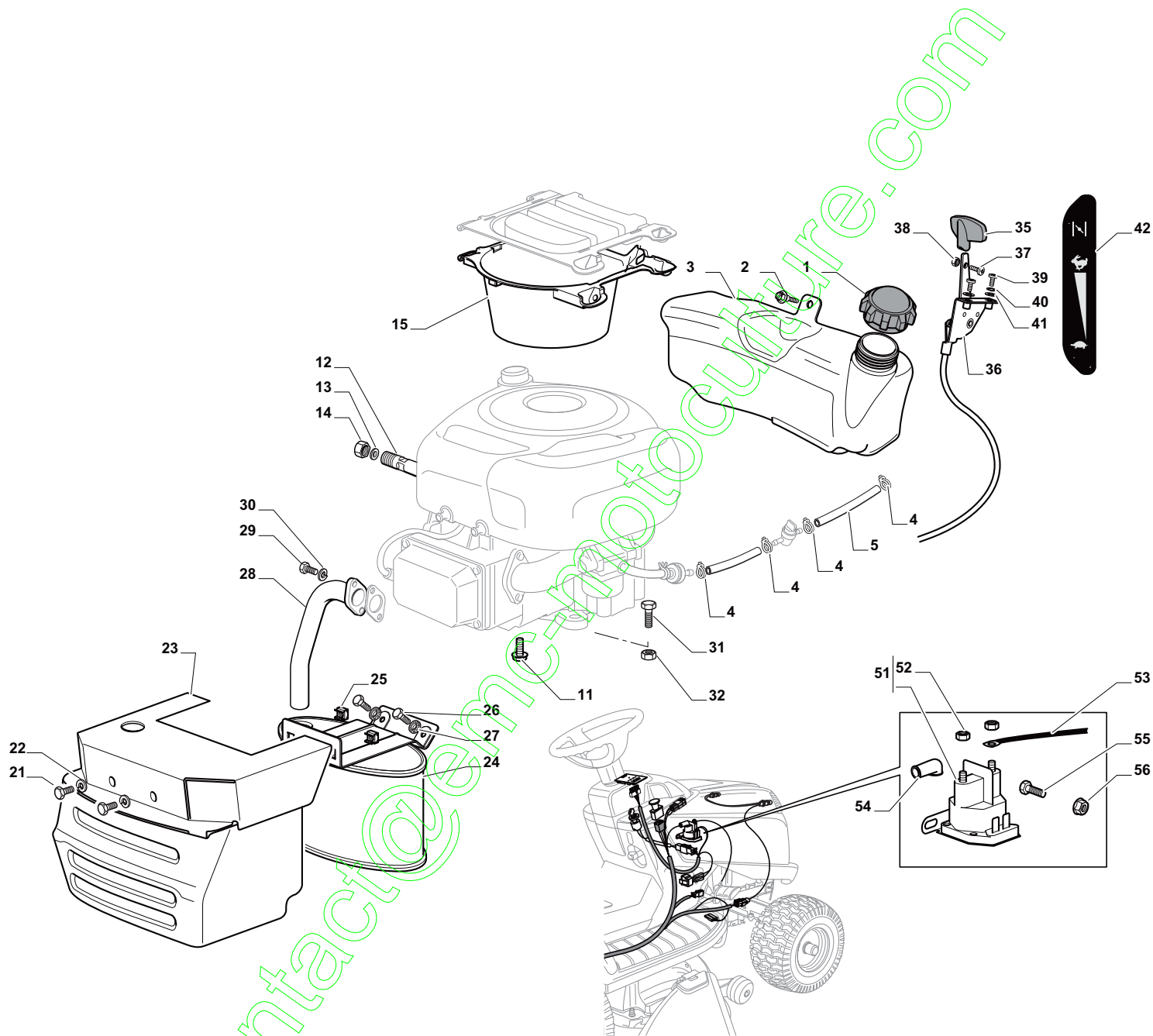
Guards							
POS	CODE	Q.TY	DESCRIZIONE	DESCRIPTION	DESCRIPTION	BESCHREIBUNG	NOTES
1	325600077/1	1	Protezione Uscita	Exit Protection	Protection En Sortie	Auswurfschutz	
2	25510073/0	1	Perno	Pin	Pivot	Bolzen	
3	125430242/1	1	Molla	Spring	Ressort	Feder	
4	12141418/0	1	Coppiglia	Cotter Pin	Goupille	Splint	
11	325600078/0	1	Carter	Case	Carter	Blech	
12	125943006/0	4	Vite	Screw	Vis	Schraube	
13	325600079/0	1	Carter	Case	Carter	Blech	
15	325600084/0	1	Protezione	Guard	Protection	Schutz	
16	325060154/0	1	Carter	Case	Carter	Blech	
17	325600082/0	1	Protezione	Guard	Protection	Schutz	
18	125943011/0	4	Vite	Screw	Vis	Schraube	
19	325060155/0	1	Carter	Case	Carter	Blech	
20	325600083/0	1	Protezione	Guard	Protection	Schutz	
21	27943051/0	2	Vite	Screw	Vis	Schraube	
22	112437506/0	2	Piastrina	Plate	Plaque	Platte	

contact@emc-motoculture.com



Engine - GGP

POS	CODE	Q.TY	DESCRIZIONE	DESCRIPTION	DESCRIPTION	BESCHREIBUNG	NOTES
1	25795001/1	1	Tappo Serbatoio	Cap	Bouchon	Tankverschluss	
2	125943006/0	4	Vite	Screw	Vis	Schraube	
3	325735126/0	1	Serbatoio	Tank	Reservoir	Tank	
4	18375051/1	4	Fascetta	Fair Led	Fixation De Cable	Kabelbefestigung	
5	25869057/0	1	Tube Collegamento (1000 Mm)	Connecting Tube (1000 Mm)	Tube De Connexion (1000 Mm)	Verbindungsrohr (1000 Mm)	
11	112735108/1	4	Vite	Screw	Vis	Schraube	
12	27598060/0	1	Prolunga Scarico Olio	Oil Discharge Extension	Extension Dech. Huile	Öl Abfluss	
13	18401001/1	1	Guarnizione	Oil Seal	Garniture	Dichtung	
14	18737849/0	1	Tappo Per Prolunga	Oil Cap	Bouchon Huile	Oelverschluss	
15	325108044/1	1	Convogliatore	Conveyor	Convoyeur	Konveyor	
21	12792611/0	2	Vite	Screw	Vis	Schraube	
22	12540260/0	2	Rondella	Washer	Rondelle	Scheibe	
23	382598045/0	1	Protezione Silenziatore	Muffler Protection	Protection Silencieux	Auspuffschutz	
24	182750010/0	1	Silenziatore	Muffler	Silenceux	Auspuff	
25	12360425/0	2	Dado (Mecc.)	Nut	Ecrou (Mec.)	Mutter (Mech.)	
26	12792611/0	2	Vite	Screw	Vis	Schraube	
27	12540260/0	2	Rondella	Washer	Rondelle	Scheibe	
28	118738231/1	1	Tube Scarico	Exhaust Tube	Tube Echappement	Abgasungrohr	
29	12737450/0	2	Vite	Screw	Vis	Schraube	
30	12540260/0	2	Rondella	Washer	Rondelle	Scheibe	
35	325394531/0	1	Manopolina	Knob	Poignee	Griff	
36	182000215/0	1	Acceleratore	Accelerator	Accelérateur	Gas Zug	
37	112726389/0	1	Vite	Screw	Vis	Schraube	
38	12290800/0	1	Dado	Nut	Ecrou	Mutter	
39	112726389/0	2	Vite	Screw	Vis	Schraube	
40	12540020/0	2	Rondella	Washer	Rondelle	Scheibe	
41	12521310/0	2	Rosetta	Washer	Rondelle	Scheibe	
42	114363697/0	1	Etichetta	Label	Etiquette	Klebzettel	
51	18736111/0	1	Relè Avviamento	Starter Relay	Relais D'Allumage	Anlassrelais	
52	12360352/0	2	Dado	Nut	Ecrou	Mutter	
53	25065002/0	1	Cavo Relé Avv.	Cable	Cable	Kabel	
54	18564864/1	1	Cappuccio	Protection	Capuchon	Stecker	
55	12790781/0	1	Vite	Screw	Vis	Schraube	
56	12154510/0	2	Dado	Nut	Ecrou	Mutter	

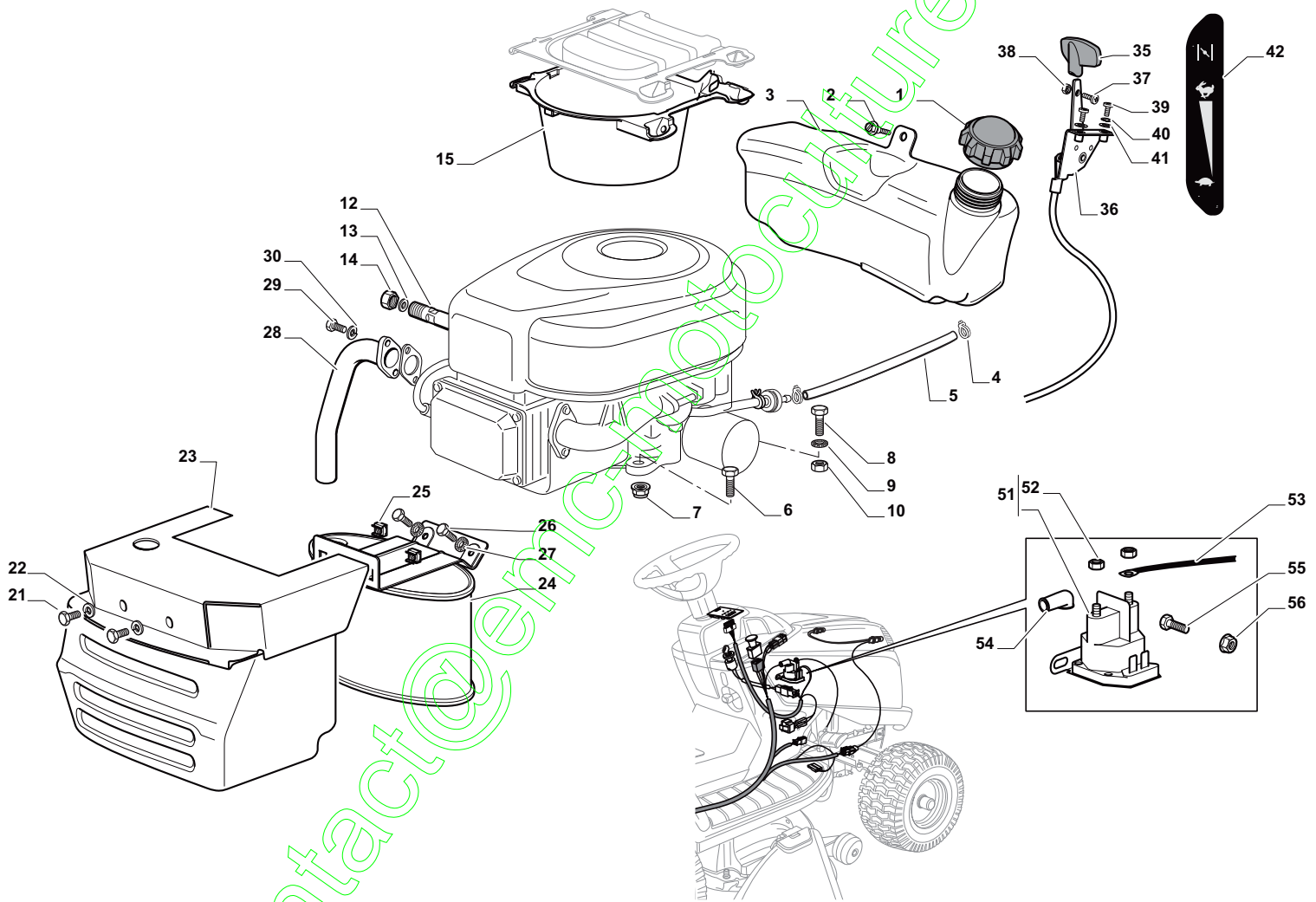


Engine - B&S 12.5 HP

POS	CODE	Q.TY	DESCRIZIONE	DESCRIPTION	DESCRIPTION	BESCHREIBUNG	NOTES
1	25795001/1	1	Tappo Serbatoio	Cap	Bouchon	Tankverschluss	
2	125943010/0	4	Vite	Screw	Vis	Schraube	
3	325735126/0	1	Serbatoio	Tank	Reservoir	Tank	
4	18375051/1	4	Fascetta	Fair Led	Fixation De Cable	Kabelbefestigung	
5	25869057/0	1	Tube Collegamento (1000 Mm)	Connecting Tube (1000 Mm)	Tube De Connexion (1000 Mm)	Verbindungsrohr (1000 Mm)	
11	112735108/1	3	Vite	Screw	Vis	Schraube	
12	25598050/0	1	Prolunga Scarico Olio	Oil Discharge Extension	Extension Dech. Huile	Öl Abfluss	
13	18401001/1	1	Guarnizione	Oil Seal	Garniture	Dichtung	
14	18737849/0	1	Tappo Per Prolunga	Oil Cap	Bouchon Huile	Oelverschluss	
15	325108044/1	1	Convogliatore	Conveyor	Convoyeur	Konveyor	
21	12792611/0	2	Vite	Screw	Vis	Schraube	
22	12540260/0	2	Rondella	Washer	Rondelle	Scheibe	
23	382598047/0	1	Protezione Silenziatore	Muffler Protection	Protection Silencieux	Auspuffschutz	
24	182750010/0	1	Silenziatore	Muffler	Silenceux	Auspuff	
25	12360425/0	2	Dado (Mecc.)	Nut (Mech.)	Ecrou (Mec.)	Mutter (Mech.)	
26	12792611/0	2	Vite	Screw	Vis	Schraube	
27	12540260/0	2	Rondella	Washer	Rondelle	Scheibe	
28	18738224/0	1	Tube Scarico	Exhaust Tube	Tube Echappement	Abgasungrohr	
29	12737450/0	2	Vite	Screw	Vis	Schraube	
30	12540260/0	2	Rondella	Washer	Rondelle	Scheibe	
31	12691115/0	1	Vite	Screw	Vis	Schraube	
32	12154210/0	1	Dado	Nut	Ecrou	Mutter	
35	325394531/0	1	Manopolina	Knob	Poignee	Griff	
36	182000216/0	1	Acceleratore	Accelerator	Accelérateur	Gas Zug	
37	112726389/0	1	Vite	Screw	Vis	Schraube	
38	12290800/0	1	Dado	Nut	Ecrou	Mutter	
39	112726389/0	2	Vite	Screw	Vis	Schraube	
40	12540020/0	2	Rondella	Washer	Rondelle	Scheibe	
41	12521310/0	2	Rosetta	Washer	Rondelle	Scheibe	
42	114363697/0	1	Etichetta	Label	Etiquette	Klebzettel	
51	18736111/0	1	Relè Avviamento	Starter Relay	Relais D'Allumage	Anlassrelais	
52	12360352/0	2	Dado	Nut	Ecrou	Mutter	
53	25065002/0	1	Cavo Relé Avv.	Cable	Cable	Kabel	
54	18564864/1	1	Cappuccio	Protection	Capuchon	Stecker	
55	12790781/0	1	Vite	Screw	Vis	Schraube	
56	12154510/0	2	Dado	Nut	Ecrou	Mutter	

contact@emc-motocultiva.com

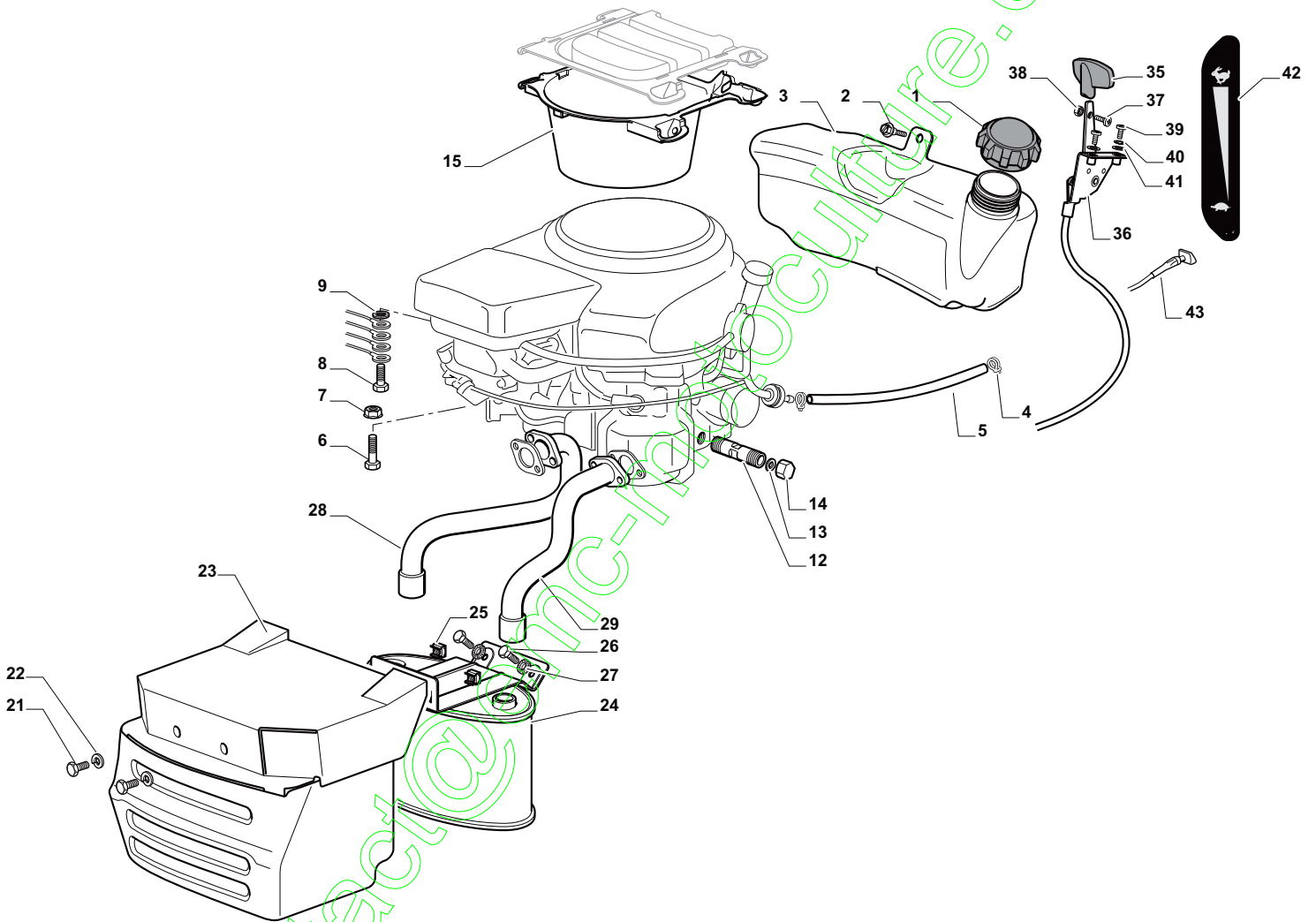
contact@ericculture.com



Engine - B&S 15.5 - 16.5 - 17.5 - 18.5 HP

POS	CODE	Q.TY	DESCRIZIONE	DESCRIPTION	DESCRIPTION	BESCHREIBUNG	NOTES
1	25795001/1	1	Tappo Serbatoio	Cap	Bouchon	Tankverschluss	
2	125943010/0	4	Vite	Screw	Vis	Schraube	
3	325735126/0	1	Serbatoio	Tank	Reservoir	Tank	
4	18375051/1	2	Fascetta	Fair Led	Fixation De Cable	Kabelbefestigung	
5	25869057/0	1	Tube Collegamento (1000 Mm)	Connecting Tube (1000 Mm)	Tube De Connexion (1000 Mm)	Verbindungsrohr (1000 Mm)	
6	112735108/1	3	Vite	Screw	Vis	Schraube	
7	12154210/0	3	Dado	Nut	Ecrou	Mutter	
8	12691115/0	1	Vite	Screw	Vis	Schraube	
9	12540260/0	1	Rondella	Washer	Rondelle	Scheibe	
10	12154210/0	1	Dado	Nut	Ecrou	Mutter	
12	25598050/0	1	Prolunga Scarico Olio	Oil Discharge Extension	Extension Dech. Huile	Öl Abfluss	
13	18401001/1	1	Guarnizione	Oil Seal	Garniture	Dichtung	
14	18737849/0	1	Tappo Per Prolunga	Oil Cap	Bouchon Huile	Oelverschluss	
15	325108044/1	1	Convogliatore	Conveyor	Convoyeur	Konveyor	
21	12792611/0	2	Vite	Screw	Vis	Schraube	
22	12540260/0	2	Rondella	Washer	Rondelle	Scheibe	
23	382598047/0	1	Protezione Silenziatore	Muffler Protection	Protection Silencieux	Auspuffschutz	
24	182750010/0	1	Silenziatore	Muffler	Silenceux	Auspuff	
25	12360425/0	2	Dado (Mecc.)	Nut (Mech.)	Ecrou (Mec.)	Mutter (Mech.)	
26	12792611/0	2	Vite	Screw	Vis	Schraube	
27	12540260/0	2	Rondella	Washer	Rondelle	Scheibe	
28	18738206/0	1	Tube Scarico	Exhaust Tube	Tube Echappement	Abgasrohr	
29	12737450/0	2	Vite	Screw	Vis	Schraube	
30	12540260/0	2	Rondella	Washer	Rondelle	Scheibe	
35	325394531/0	1	Manopolina	Knob	Poignee	Griff	
36	82000200/1	1	Acceleratore	Accelerator	Accelérateur	Gas Zug	
37	112726389/0	1	Vite	Screw	Vis	Schraube	
38	12290800/0	1	Dado	Nut	Ecrou	Mutter	
39	112726389/0	2	Vite	Screw	Vis	Schraube	
40	12540020/0	2	Rondella	Washer	Rondelle	Scheibe	
41	12521310/0	2	Rosetta	Washer	Rondelle	Scheibe	
42	114363697/0	1	Etichetta	Label	Etiquette	Klebzettel	
51	18736111/0	1	Relè Avviamento	Starter Relay	Relais D'Allumage	Anlassrelais	
52	12360352/0	2	Dado	Nut	Ecrou	Mutter	
53	25065002/0	1	Cavo Relé Avv.	Cable	Cable	Kabel	
54	18564864/1	1	Cappuccio	Protection	Capuchon	Stecker	
55	12790781/0	1	Vite	Screw	Vis	Schraube	
56	12154510/0	2	Dado	Nut	Ecrou	Mutter	

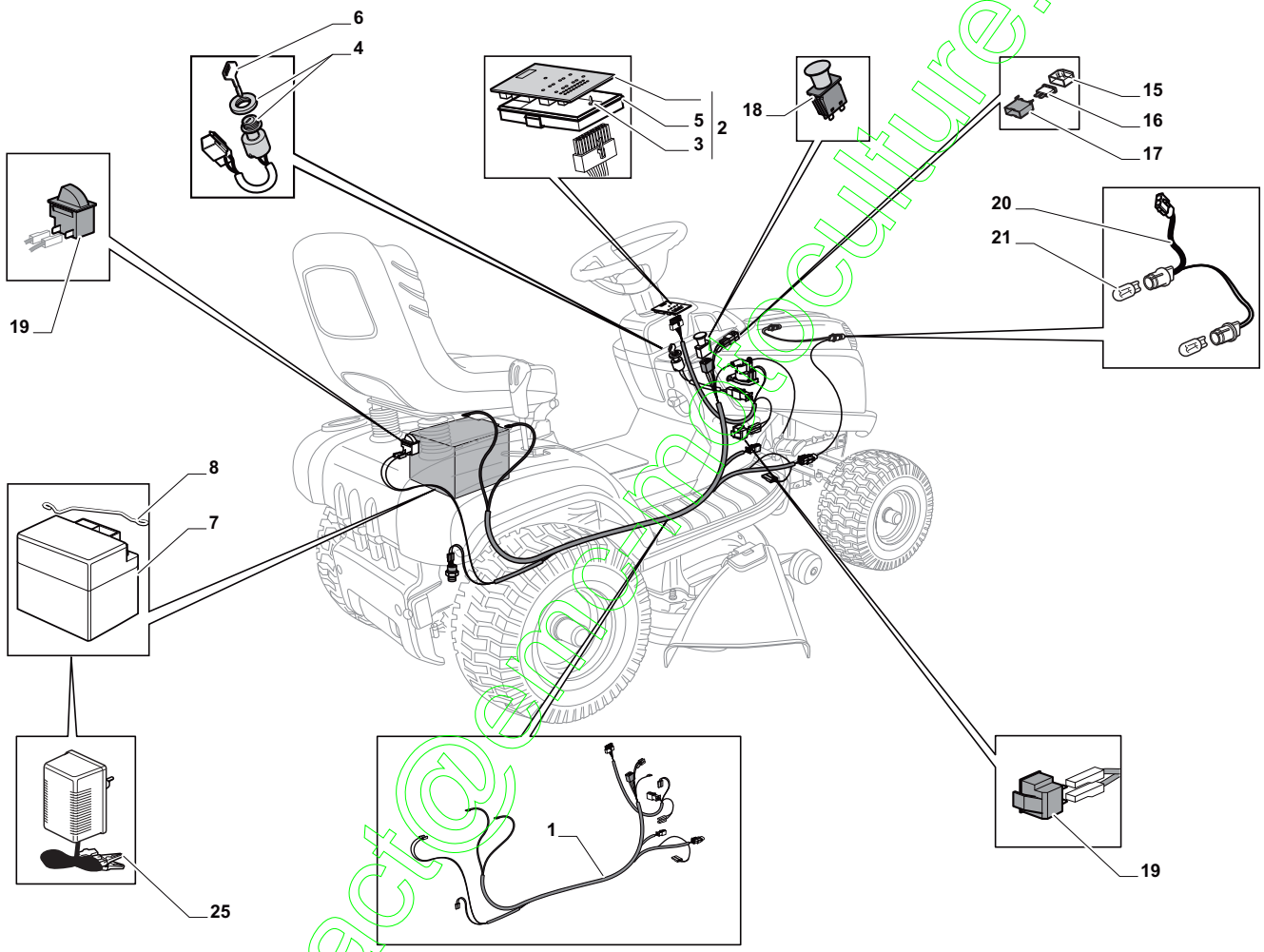
contact@emc-motors.com



Engine - Honda GCV 530

POS	CODE	Q.TY	DESCRIZIONE	DESCRIPTION	DESCRIPTION	BESCHREIBUNG	NOTES
1	25795001/1	1	Tappo Serbatoio	Cap	Bouchon	Tankverschluss	
2	125943010/0	4	Vite	Screw	Vis	Schraube	
3	325735126/0	1	Serbatoio	Tank	Reservoir	Tank	
4	18375051/1	2	Fascetta	Fair Led	Fixation De Cable	Kabelbefestigung	
5	25869057/0	1	Tube Collegamento (1000 Mm)	Connecting Tube (1000 Mm)	Tube De Connexion (1000 Mm)	Verbindungsrohr (1000 Mm)	
6	12691115/0	4	Vite	Screw	Vis	Schraube	
7	12154210/0	4	Dado	Nut	Ecrou	Mutter	
8	12735599/0	1	Vite	Screw	Vis	Schraube	
9	12540260/0	1	Rondella	Washer	Rondelle	Scheibe	
12	25598052/0	1	Prolunga Scarico Olio	Oil Discharge Extension	Extension Dech. Huile	Öl Abfluss	
13	18401001/1	1	Guarnizione	Oil Seal	Garniture	Dichtung	
14	18737849/0	1	Tappo Per Prolunga	Oil Cap	Bouchon Huile	Oelverschluss	
15	325108045/1	1	Convogliatore	Conveyor	Convoyeur	Konveyor	
21	12792611/0	2	Vite	Screw	Vis	Schraube	
22	12540260/0	2	Rondella	Washer	Rondelle	Scheibe	
23	382598049/0	1	Protezione Silenziatore	Muffler Protection	Protection Silencieux	Auspuffschutz	
24	82750003/0	1	Silenziatore	Muffler	Silenceux	Auspuff	
25	12360425/0	2	Dado (Mecc.)	Nut (Mech.)	Ecrou (Mec.)	Mutter (Mech.)	
26	12792611/0	2	Vite	Screw	Vis	Schraube	
27	12540260/0	2	Rondella	Washer	Rondelle	Scheibe	
28	18738221/0	1	Tube Scarico Destro	Exhaust Tube Right	Tube Echappement Droit	Abgasrohr, Rechte	
29	18738222/0	1	Tube Scarico Sinistro	Exhaust Tube Left	Tube Echappement Gau.	Abgasrohr, Linke	
35	325394531/0	1	Manopolina	Knob	Poignee	Griff	
36	182000217/0	1	Acceleratore	Accelerator	Accélérateur	Gas Zug	
37	112726389/0	1	Vite	Screw	Vis	Schraube	
38	12290800/0	1	Dado	Nut	Ecrou	Mutter	
39	112726389/0	2	Vite	Screw	Vis	Schraube	
40	12540020/0	2	Rondella	Washer	Rondelle	Scheibe	
41	12521310/0	2	Rosetta	Washer	Rondelle	Scheibe	
42	114364617/0	1	Etichetta	Label	Etiquette	Klebzettel	
43	125090006/0	1	Comando Starter	Choke Control	Commande Starter	Starter Betaetigung	

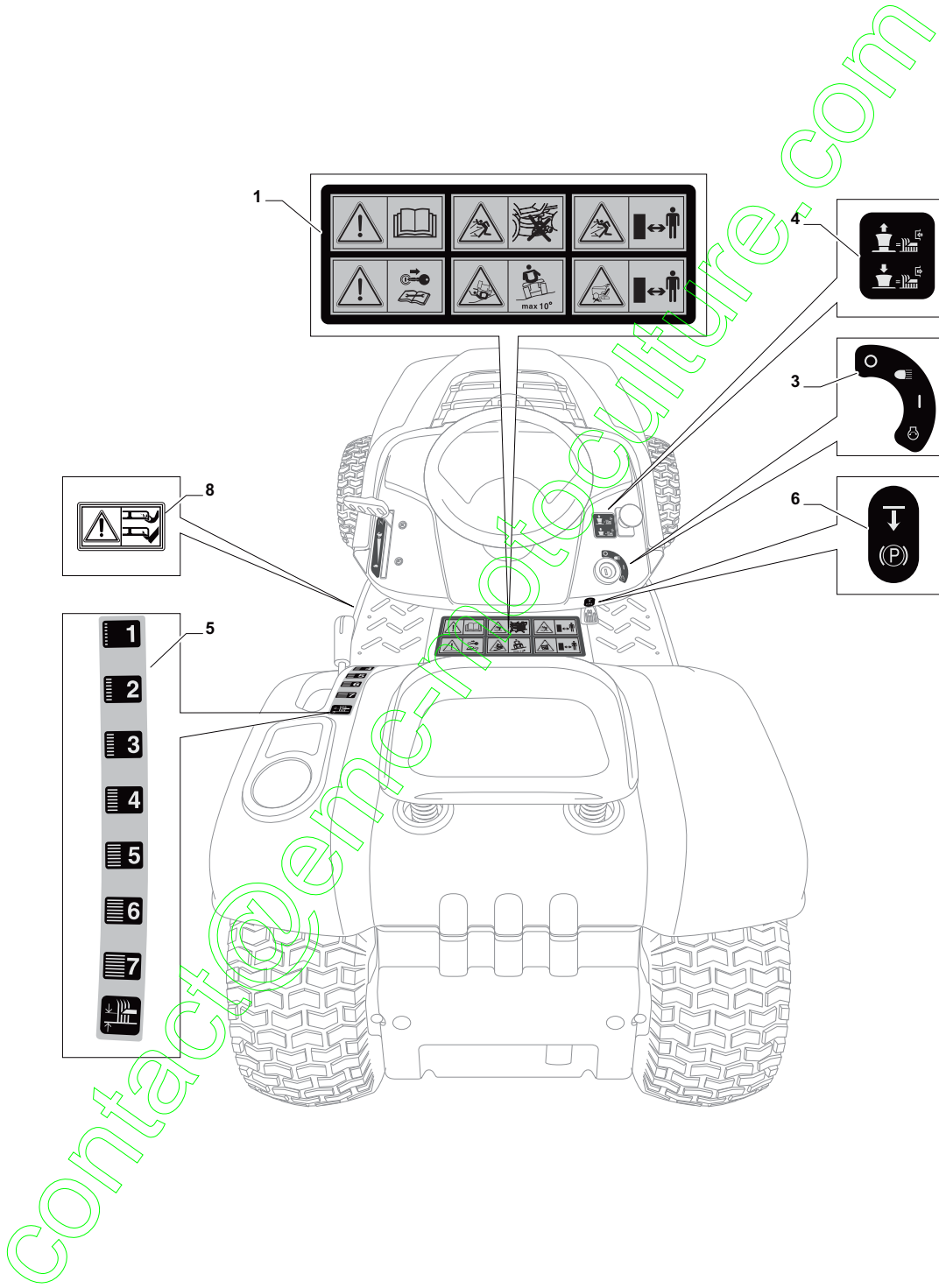
contact@emc-motocultiv.com



contact@...culture.com

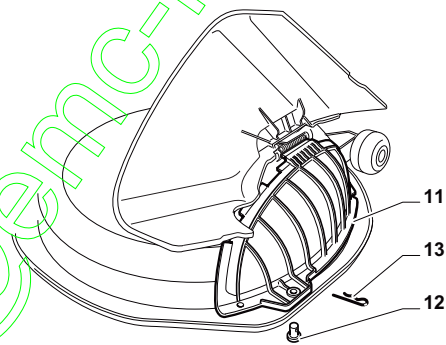
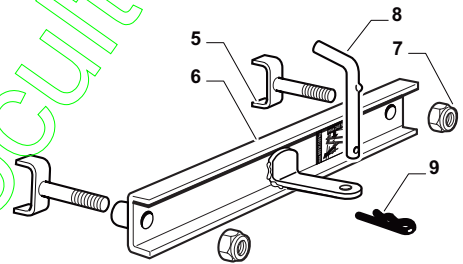
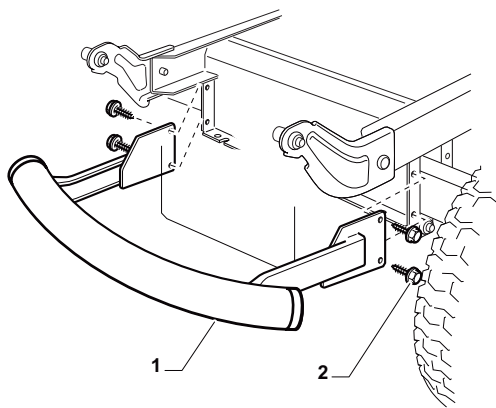
Electrical Parts							
POS	CODE	Q.TY	DESCRIZIONE	DESCRIPTION	DESCRIPTION	BESCHREIBUNG	NOTES
1	182040150/0	1	Cablaggio	Cables Ass.Y	Ens. Cablages	Kabelsatz	
1	182040157/0	1	Cablaggio (Honda)	Cables Ass.Y (Honda)	Ens. Cablages (Honda)	Kabelsatz (Honda)	for models with Honda engine
2	125722433/0	1	Scheda Elettronica (GGP)	Electronic Card (GGP)	Carte Electronique (GGP)	Elektronische Karte (GGP)	for models with GGP engine
2	382722429/0	1	Scheda Elettronica (B&S - Honda)	Electronic Card (B&S - Honda)	Carte Electronique (B&S - Honda)	Elektronische Karte (B&S - Honda)	for models with B&S engine
3	12735101/0	1	Vite	Screw	Vis	Schraube	
4	118450075/0	1	Interruttore Avviam.	Starting Switch	Interrupteur Demarr.	Schalter	
5	325600080/0	1	Protezione Scheda	Card Protection	Protection De Carte	Kartenschutz	
6	118210023/0	1	Chiave Avviamento	Starting Key	Clef A Demarrage	Schlüssel Für Start	
7	18120002/1	1	Batteria	Battery	Batterie	Batterie	
8	125430265/0	1	Molla	Spring	Ressort	Feder	
15	33215000/0	2	Coperchio	Cover	Couvercle	Deckel	
16	33340040/0	1	Fusibile 10A	Fuse 10A	Fusible 10A	Sicherung 10A	
16	33340036/0	1	Fusibile 25 A	Fuse 25 A	Fusible 25 A	Sicherung 25 A	
17	33500007/0	2	Portafusibile	Fuse Carrier	Tableau De Fusible	Sicherunghalter	
18	118450074/0	1	Interruttore Frizione	Clutch Switch	Interrupteur Embrajage	Kupplung Schalter	
19	119410613/0	2	Micro Interruttore	Micro	Micro	Mikro	
20	82040073/0	1	Cavo Fari	Cable	Cables	Kabel	
21	18459100/0	2	Lampada	Farilamp For Lights	Lampe Pour Phares	Lampenfassun	
25	182180090/0	1	Carica Batterie	Battery Charger	Chargeur De Batteries	Batterieladegerät	CE plug
25	182180091/0	1	Carica Batterie (U.K.)	Battery Charger (U.K.)	Chargeur De Batteries (U.K.)	Batterieladegerät (U.K.)	UK plug

contact@emc-motoculture.com



Labels							
POS	CODE	Q.TY	DESCRIZIONE	DESCRIPTION	DESCRIPTION	BESCHREIBUNG	NOTES
1	114362365/1	1	Etichetta	Label	Etiquette	Klebzettel	
3	114363699/0	1	Etichetta	Label	Etiquette	Klebzettel	
4	14361438/0	1	Etichetta	Label	Etiquette	Klebzettel	
5	114363701/0	1	Etichetta	Label	Etiquette	Klebzettel	
6	114363700/0	1	Etichetta	Label	Etiquette	Klebzettel	
8	114356699/1	1	Etichetta	Label	Etiquette	Klebzettel	

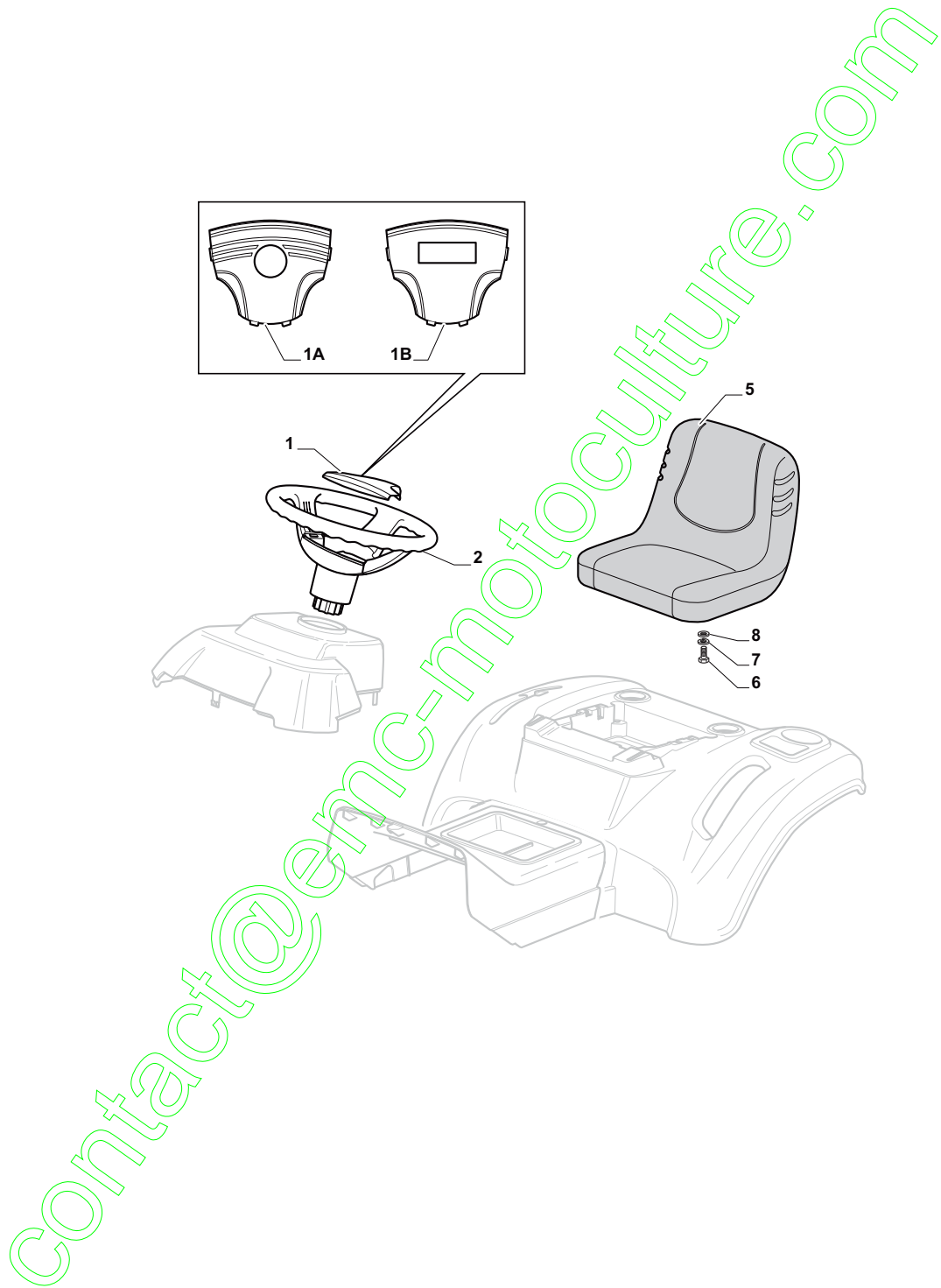
contact@emc-motoculture.com



Optionals On Request

POS	CODE	Q.TY	DESCRIZIONE	DESCRIPTION	DESCRIPTION	BESCHREIBUNG	NOTES
1	382869038/0	1	Protezione Silenziatore	Muffler Protection	Protection Silencieux	Auspuffschutz	
2	125943008/0	4	Vite	Screw	Vis	Schraube	
5	382650211/0	2	Rinforzo	Stiffening	Renforcement	Verstaerkung	
6	382033111/0	1	Barra	Rod	Barre	Stange	
7	12155000/0	2	Dado	Nut	Ecrou	Mutter	
8	25510021/1	1	Perno	Pin	Pivot	Bolzen	
9	24487999/0	1	Coppiglia	Cotter Pin	Goupille	Split	
11	325140099/0	1	Deflettore	Deflector	Deflecteur	Abweiser	
12	125510111/0	1	Perno	Pin	Pivot	Bolzen	
13	24487998/0	1	Coppiglia	Cotter Pin	Goupille	Splint	

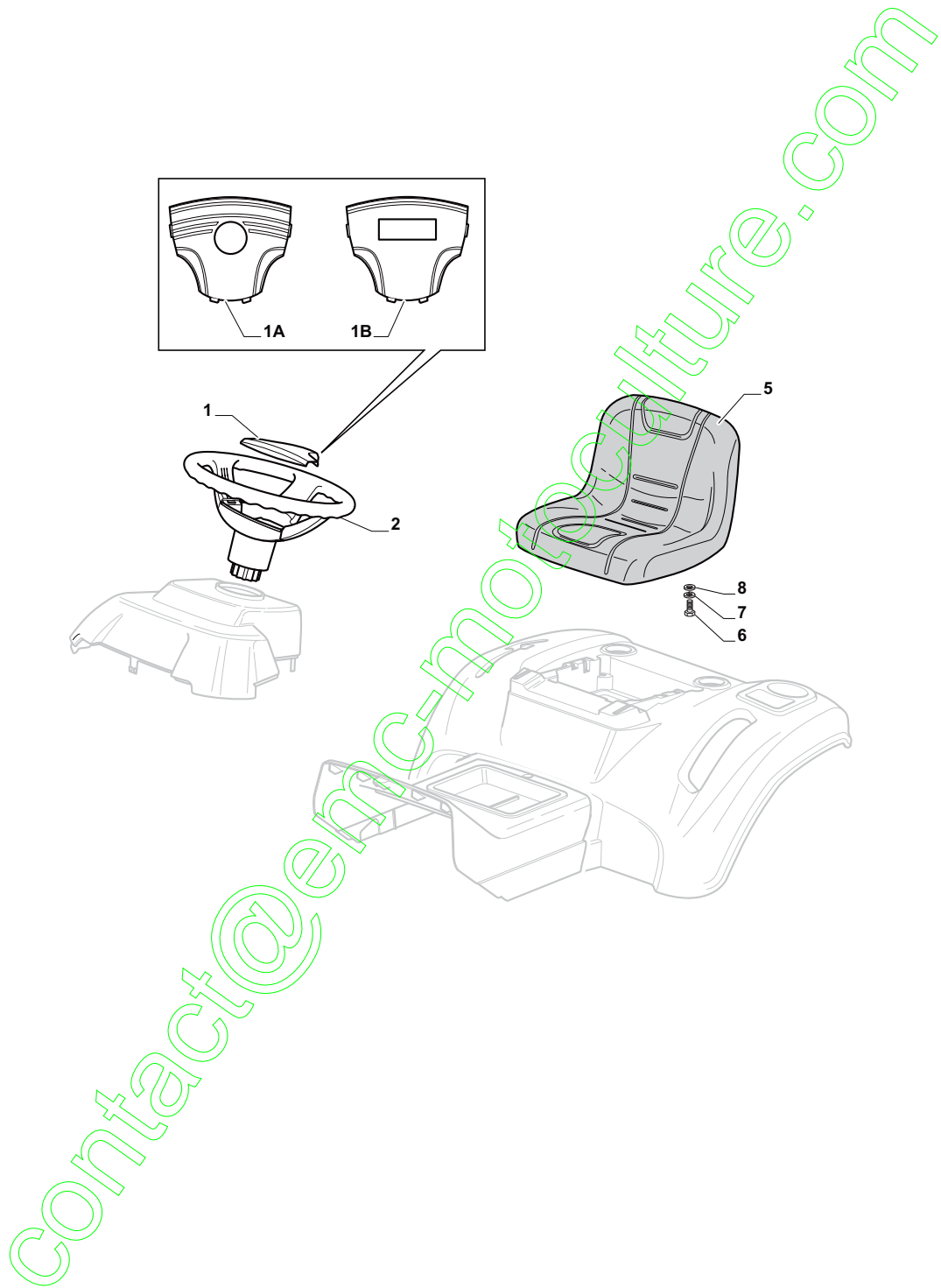
contact@emc-motoculture.com



Seat & Steering Wheel

POS	CODE	Q.TY	DESCRIZIONE	DESCRIPTION	DESCRIPTION	BESCHREIBUNG	NOTES
1A	325580503/0	1	Placca Volante	Steering Plate	Plaque Volant	Lenkradplatte	
1B	325580504/0	1	Placca Volante	Steering Plate	Plaque Volant	Lenkradplatte	
2	325961219/0	1	Volante	Steering Wheel	Volant	Lenkrad	
5	25722463/0	1	Sedile	Seat	Siege	Sitz	
6	12792611/0	4	Vite	Screw	Vis	Schraube	
7	12540260/0	4	Rondella	Washer	Rondelle	Scheibe	
8	12523060/0	4	Rondella	Washer	Rondelle	Scheibe	

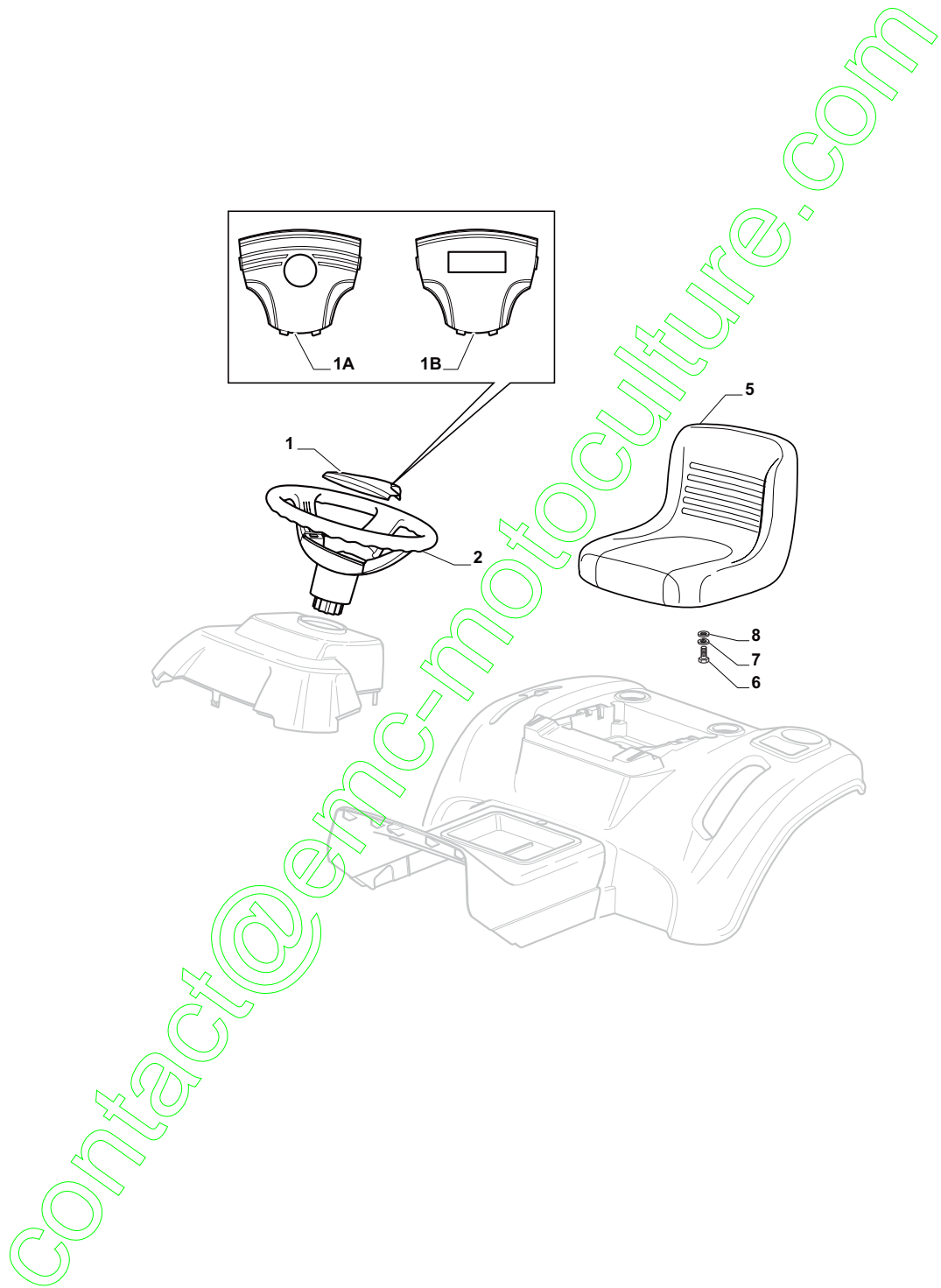
contact@emc-motoculture.com



Seat & Steering Wheel

POS	CODE	Q.TY	DESCRIZIONE	DESCRIPTION	DESCRIPTION	BESCHREIBUNG	NOTES
1A	325580503/0	1	Placca Volante	Steering Plate	Plaque Volant	Lenkradplatte	
1B	325580504/0	1	Placca Volante	Steering Plate	Plaque Volant	Lenkradplatte	
2	325961219/0	1	Volante	Steering Wheel	Volant	Lenkrad	
5	125722472/0	1	Sedile	Seat	Siege	Sitz	
6	12792611/0	4	Vite	Screw	Vis	Schraube	
7	12540260/0	4	Rondella	Washer	Rondelle	Scheibe	
8	12523060/0	4	Rondella	Washer	Rondelle	Scheibe	

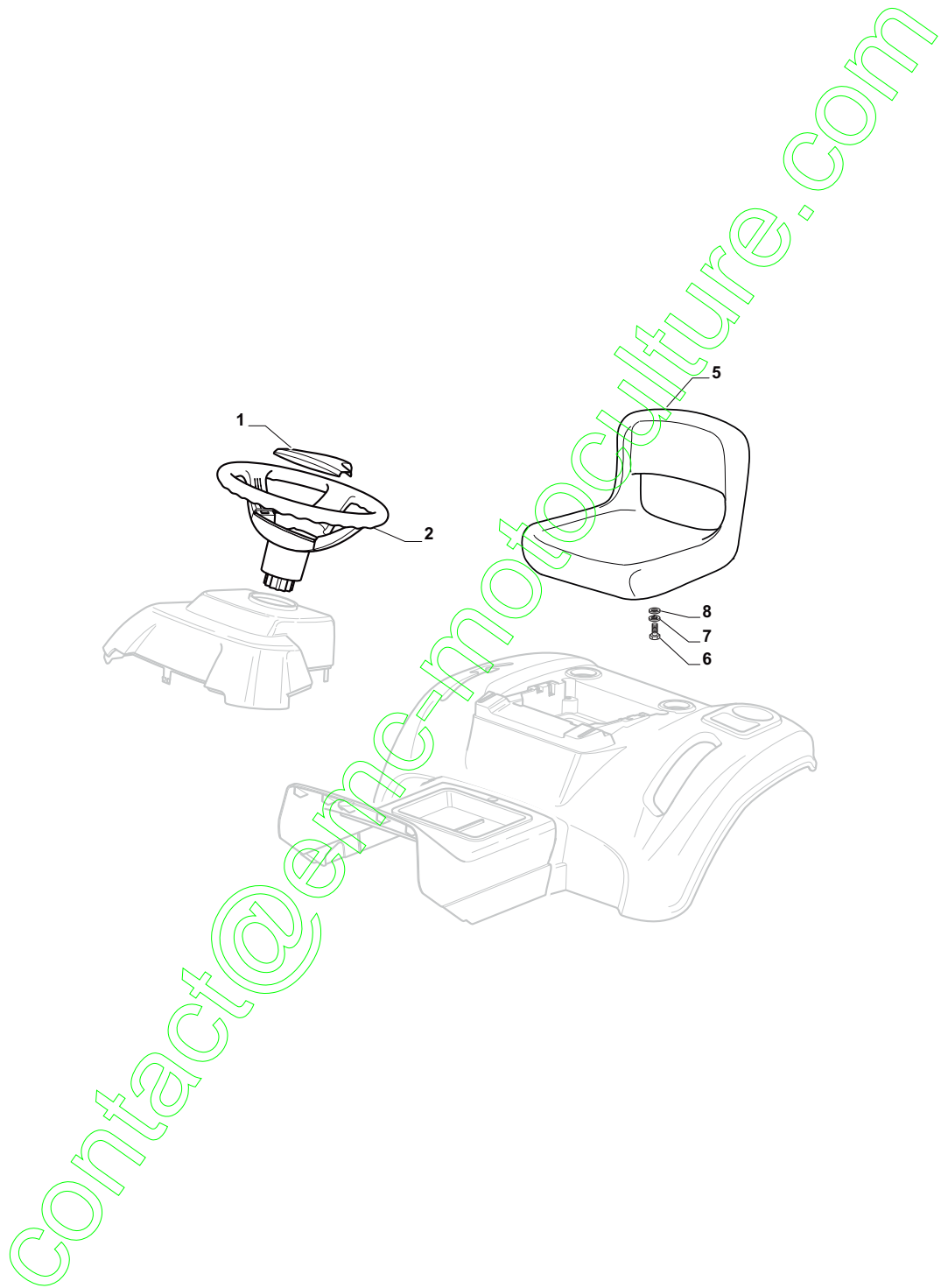
contact@enc-motoculture.com



Seat & Steering Wheel

POS	CODE	Q.TY	DESCRIZIONE	DESCRIPTION	DESCRIPTION	BESCHREIBUNG	NOTES
1A	325580503/0	1	Placca Volante	Steering Plate	Plaque Volant	Lenkradplatte	
1B	325580504/0	1	Placca Volante	Steering Plate	Plaque Volant	Lenkradplatte	
2	325961219/0	1	Volante	Steering Wheel	Volant	Lenkrad	
5	125722471/0	1	Sedile	Seat	Siege	Sitz	
6	12792611/0	4	Vite	Screw	Vis	Schraube	
7	12540260/0	4	Rondella	Washer	Rondelle	Scheibe	
8	12523060/0	4	Rondella	Washer	Rondelle	Scheibe	

contact@enc-motoculture.com



Seat & Steering Wheel							
POS	CODE	Q.TY	DESCRIZIONE	DESCRIPTION	DESCRIPTION	BESCHREIBUNG	NOTES
1	325580504/0	1	Placca Volante	Steering Plate	Plaque Volant	Lenkradplatte	
2	325961219/0	1	Volante	Steering Wheel	Volant	Lenkrad	
5	125722456/0	1	Sedile	Seat	Siege	Sitz	
6	12792611/0	4	Vite	Screw	Vis	Schraube	
7	12540260/0	4	Rondella	Washer	Rondelle	Scheibe	
8	12523060/0	4	Rondella	Washer	Rondelle	Scheibe	

contact@enc-motoculture.com