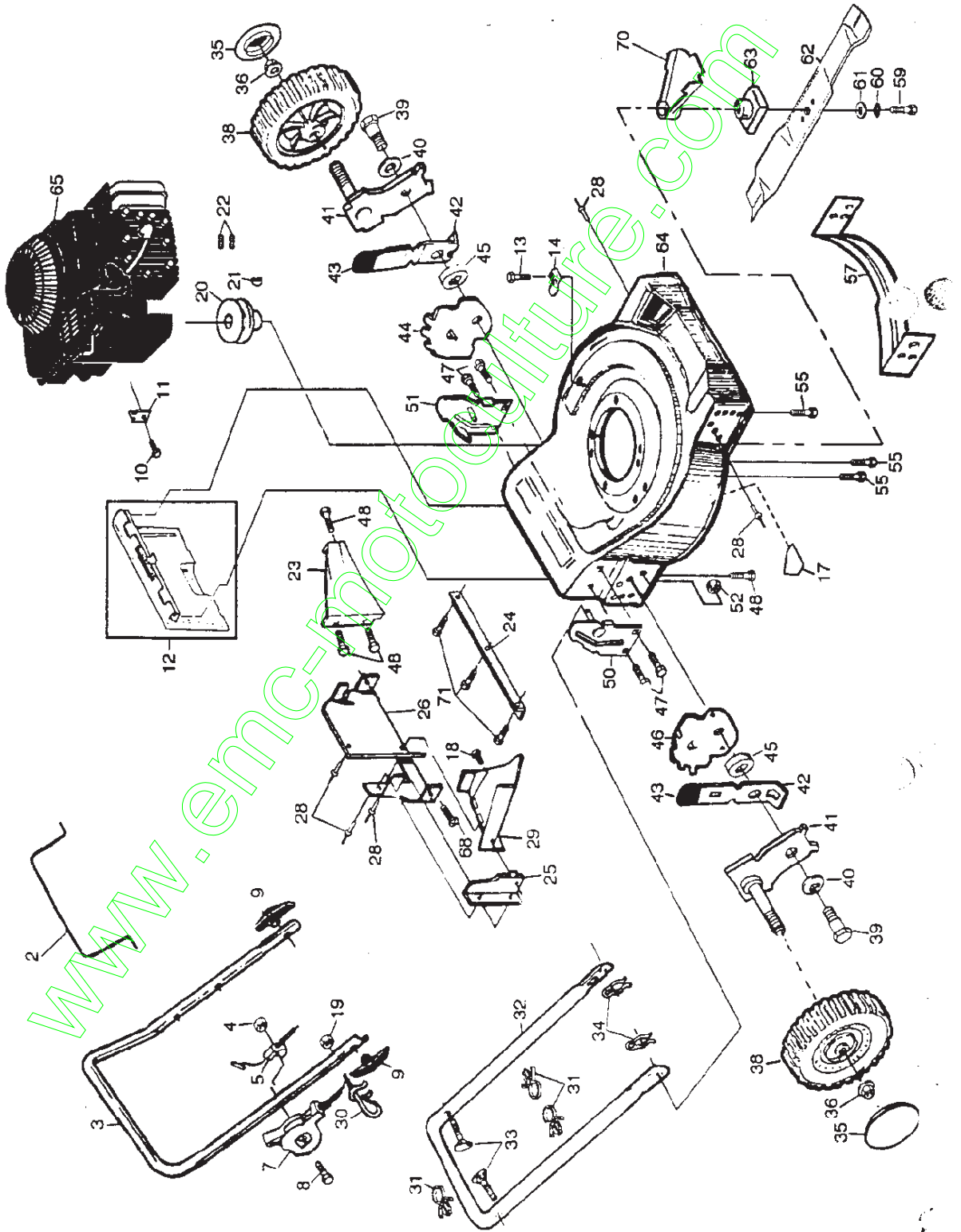


# REPAIR PARTS

## ROTARY LAWN MOWER - - MODEL NO. SN4E479C



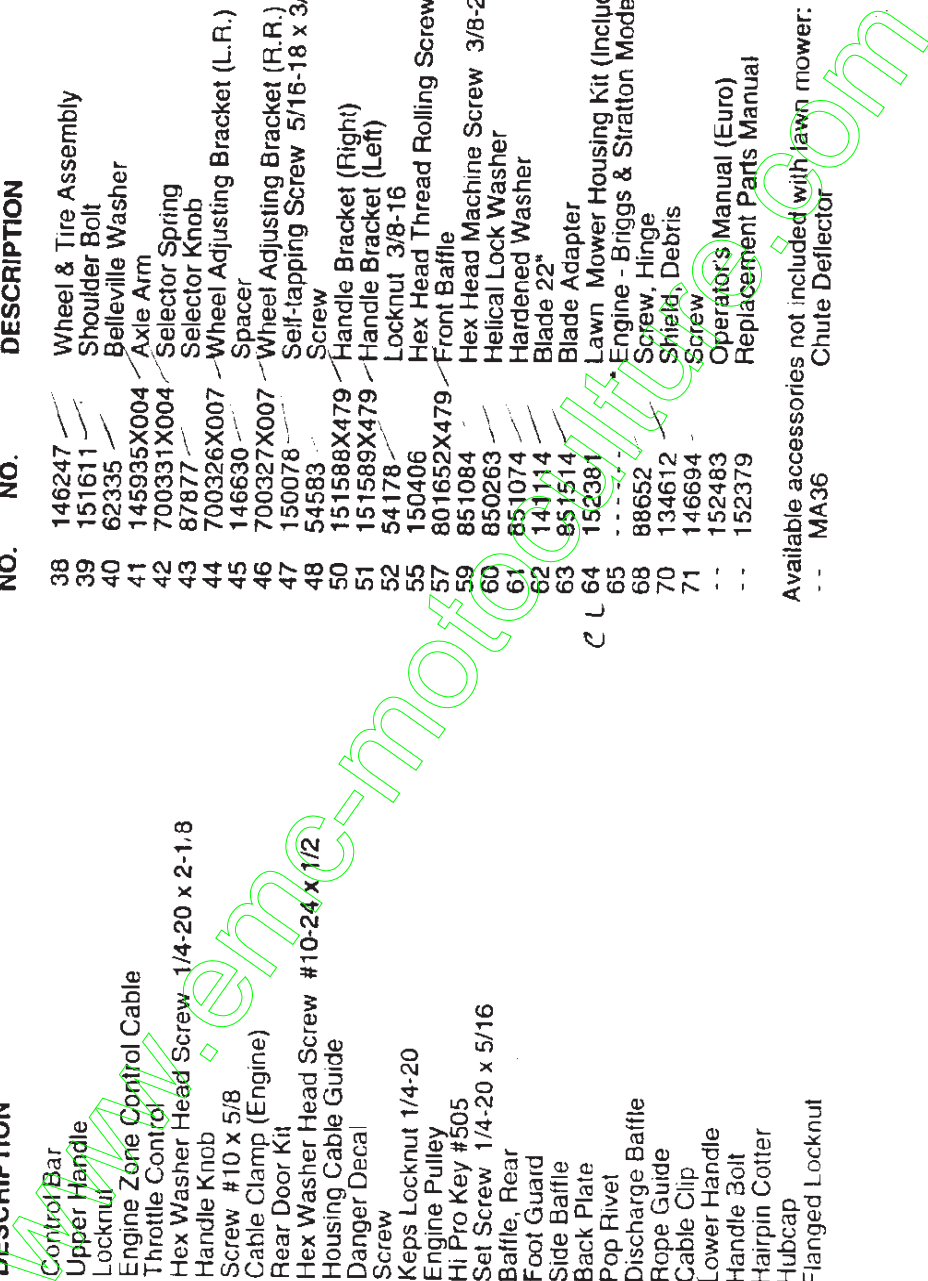
# REPAIR PARTS

## ROTARY LAWN MOWER - - MODEL NO. SN4E479C

KEY NO.	PART NO.	DESCRIPTION	KEY NO.	PART NO.	DESCRIPTION
2	146771	Control Bar	38	146247	Wheel & Tire Assembly
3	149637X479	Upper Handle	39	151611	Shoulder Bolt
4	63601	Locknut	40	62335	Belleville Washer
5	130861	Engine Zone Control Cable	41	145935X004	Axle Arm
7	700417	Throttle Control	42	700331X004	Selector Spring
8	144929	Hex Washer Head Screw 1/4-20 x 2-1.8	43	87877	Selector Knob
9	136376	Handle Knob	44	700326X007	Wheel Adjusting Bracket (L.R.)
10	83816	Screw #10 x 5/8	45	146630	Spacer
11	213146	Cable Clamp (Engine)	46	700327X007	Wheel Adjusting Bracket (R.R.)
12	151023	Rear Door Kit	47	150078	Self-tapping Screw 5/16-18 x 3/4
13	750097	Hex Washer Head Screw #10-24 x 1/2	48	54583	Screw
14	87930	Hex Washer Head Screw #10-24 x 1/2	50	151588X479	Handle Bracket (Right)
17	145494	Housing Cable Guide	51	151589X479	Handle Bracket (Left)
18	150050	Danger Decal	52	54178	Locknut 3/8-16
19	73510400	Screw	55	150406	Hex Head Thread Rolling Screw 3/8-16 x 1
20	84596	Keps Locknut 1/4-20	57	801652X479	Front Baffle
21	87677	Engine Pulley	59	851084	Hex Head Machine Screw 3/8-24 x 1-3/8 Gr. 8
22	59708	Hi Pro Key #505	60	850263	Helical Lock Washer
23	133040X479	Set Screw 1/4-20 x 5/16	61	851074	Hardened Washer
24	146143X479	Baffle, Rear	62	141114	Blade 22"
25	700365X479	Foot Guard	63	851514	Blade Adapter
26	700483X479	Side Baffle	64	152381	Lawn Mower Housing Kit (Includes Key No. 17)
28	128415	Back Plate	65	-	Engine - Briggs & Stratton Model No. 128802
29	133190X479	Pop Rivet	68	88652	Screw, Hinge
30	132001	Discharge Baffle	70	134612	Shield, Debris
31	151517	Rope Guide	71	146694	Screw
32	151721X479	Cable Clip	-	152483	Operator's Manual (Euro)
33	131959	Lower Handle	-	152379	Replacement Parts Manual
34	51793	Handle Bolt			
35	77400	Hairpin Cotter			
36	83923	Hubcap			
		Flanged Locknut			

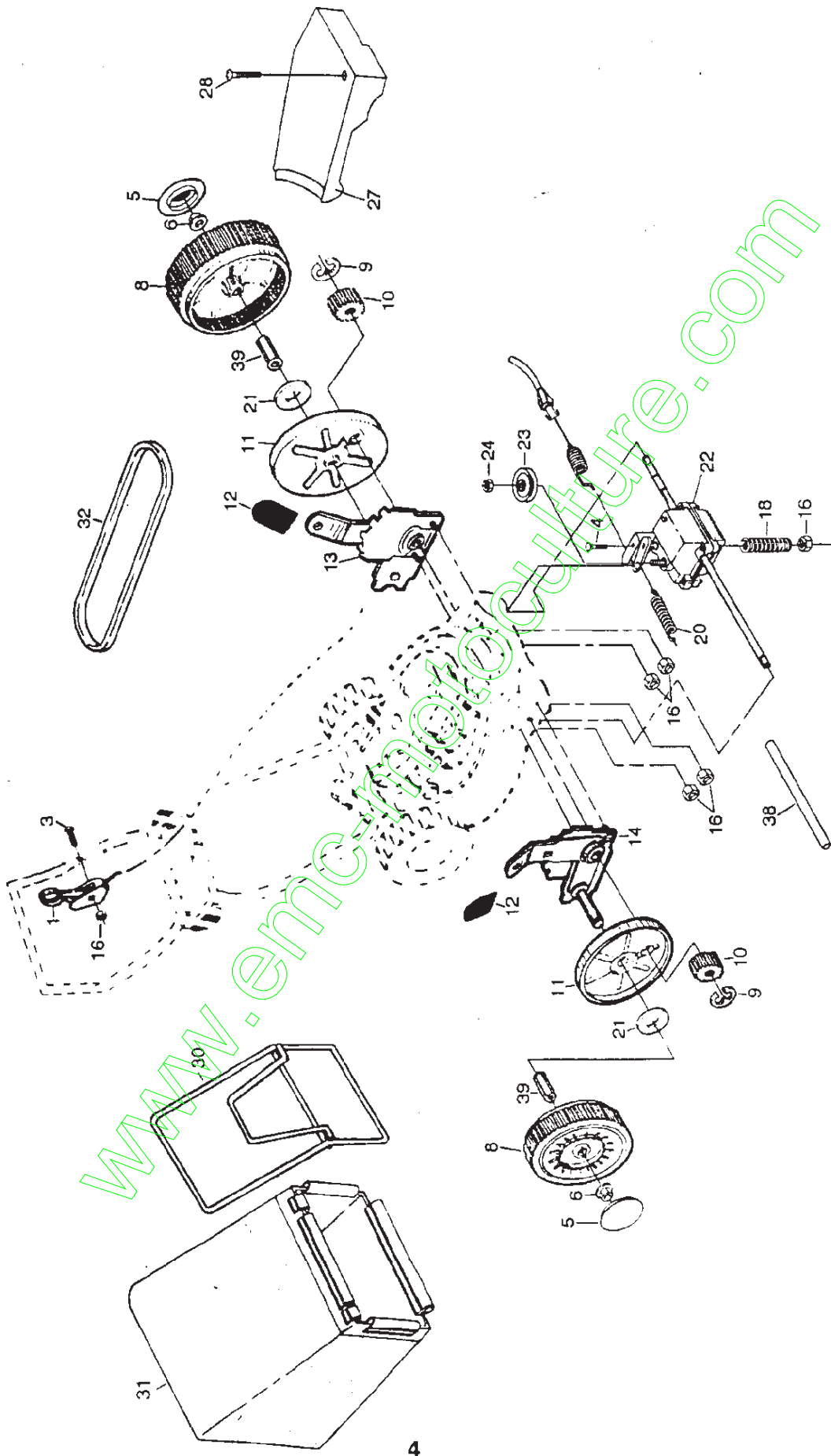
Available accessories not included with lawn mower:  
 - - MA36 Chute Deflector

• These parts must be purchased through an authorized Briggs & Stratton dealer.



# REPAIR PARTS

## ROTARY LAWN MOWER -- MODEL NO. SN4E479C



# REPAIR PARTS

## ROTARY LAWN MOWER -- MODEL NO. SN4E479C

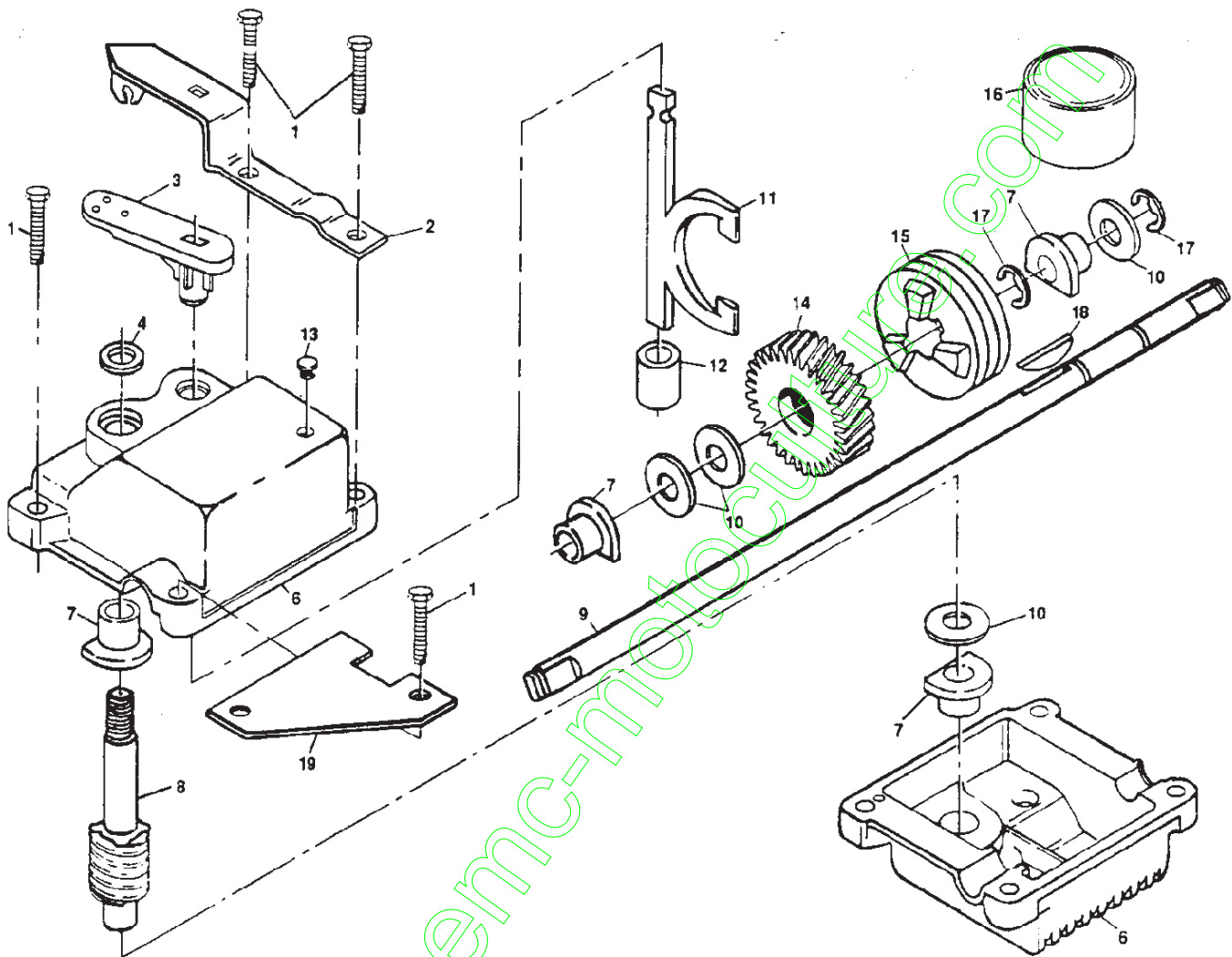
KEY NO.	PART NO.	DESCRIPTION	KEY NO.	PART NO.	DESCRIPTION
1	146323	Drive Control	20	75192	Spring
3	144929	Hex Washer Head Screw 1/4-20 x 2.12	21	67725	Washer 1/2 x 1-1/2 x .134
4	700875	Carriage Bolt 1/4-20 x 2	22	702511	Gear Case Assembly
5	77400	Hubcap	23	137052	Drive Pulley
6	145212	Flanged Locknut	24	132010	Locknut
8	700953	Wheel & Tire Assembly	27	702806	Drive Cover
9	12000058	E-ring	28	143603	Pan Head Tapping Screw #10-24 x 2-3/4
10	137054	Pinion	30	149555	Catcher Frame
11	88080	Dust Cover	31	149619	Grass Bag
12	87877	Selector Knob	32	137078	V-Belt
13	151521	Wheel Adjuster Assembly (Left)	38	86012	Drive Shaft Cover
14	151520	Wheel Adjuster Assembly (Right)	39	88446	Wheel Bushing
16	63601	Locknut			
18	137090	Spring			



# REPAIR PARTS

POWER PROPELLED LAWN MOWER - - MODEL NO. SN4E479C

GEAR CASE ASSEMBLY PART NUMBER 702511



Ro 702511. Boîte complète

KEY NO.	PART NO.	DESCRIPTION
1	17490416	Tapping Screw 1/4-20 x 1-1/4
2	137055X004	Engagement Bracket.
3	137053	Shifter
4	57072	Seal
6	48373	Gear Case Halves Kit (Includes Key Nos. 4, 5, and 7)
7	77881	Bearing
8	137051	Worm Shaft
9	137074	Drive Shaft
10	57079	Hardened Washer

KEY NO.	PART NO.	DESCRIPTION
11	131484	Clutch Yoke
12	700343	Bushing
13	86447	Plug
14	137050	Helical Gear
15	750436X	Clutch Jaw
16	750369	Grease
17	12000003	E-Ring
18	850848	Hi-Pro Key
19	81585X004	Spring Bracket

**NOTE:** All component dimensions given in U.S. inches.  
1 inch = 25.4 mm