

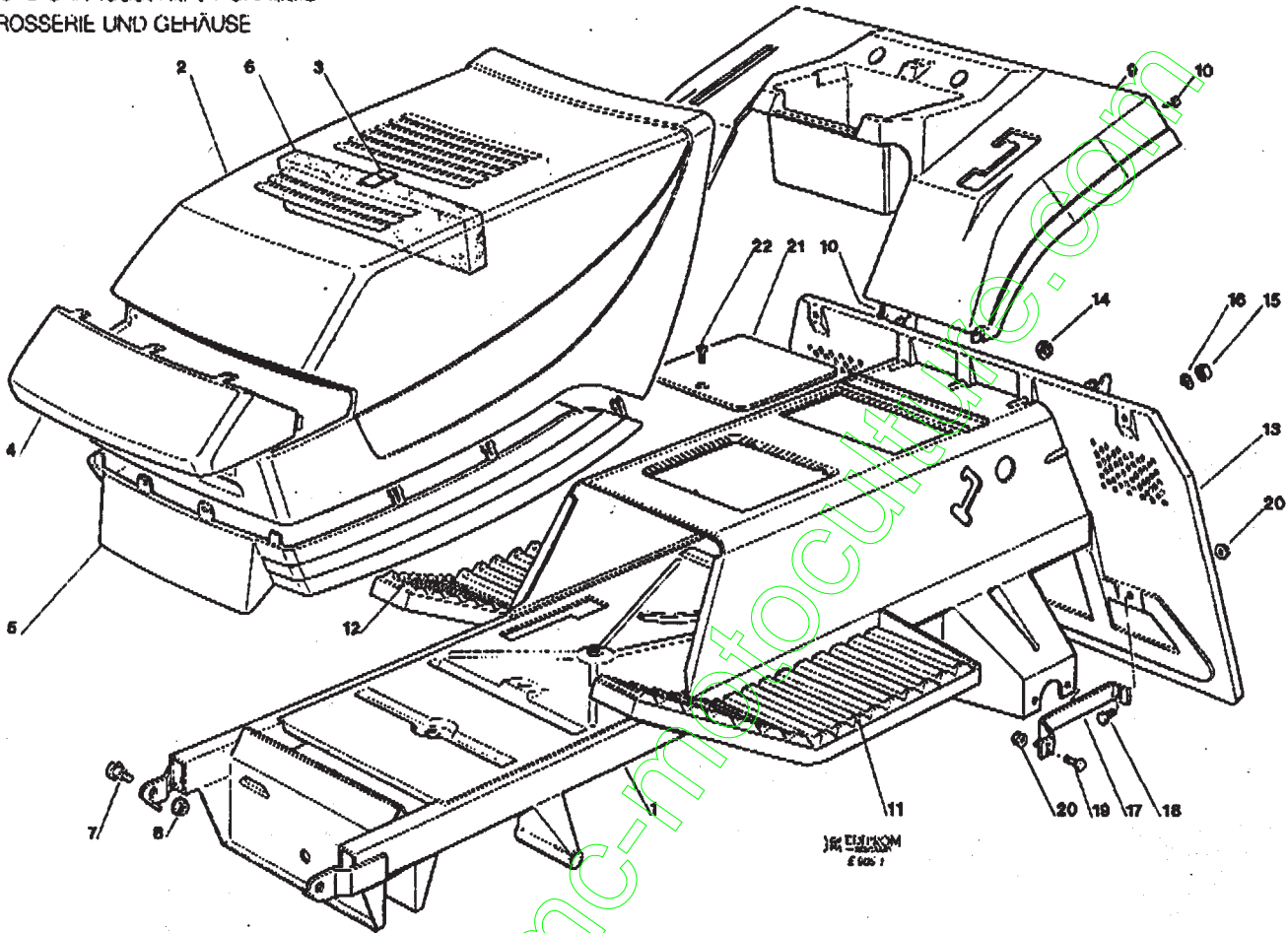
PARTI DI RICAMBIO PER IL TRATTORINO
 SPARE PARTS FOR RIDER-ON-MOWERS
 PIECES DETACHEES POUR TONDEUSE AUTOPORTEE
 RASENTHAKTORERSATZTEILE

TC 12,5 HP
 TC 14 HP

001

- GRUPPO CARROZZERIA E CHASSIS
 BODY AND CHASSIS GROUP
 GROUPE CARROSSERIE ET CHASSIS
 KARROSSERIE UND GEHÄUSE

Mod. 1992



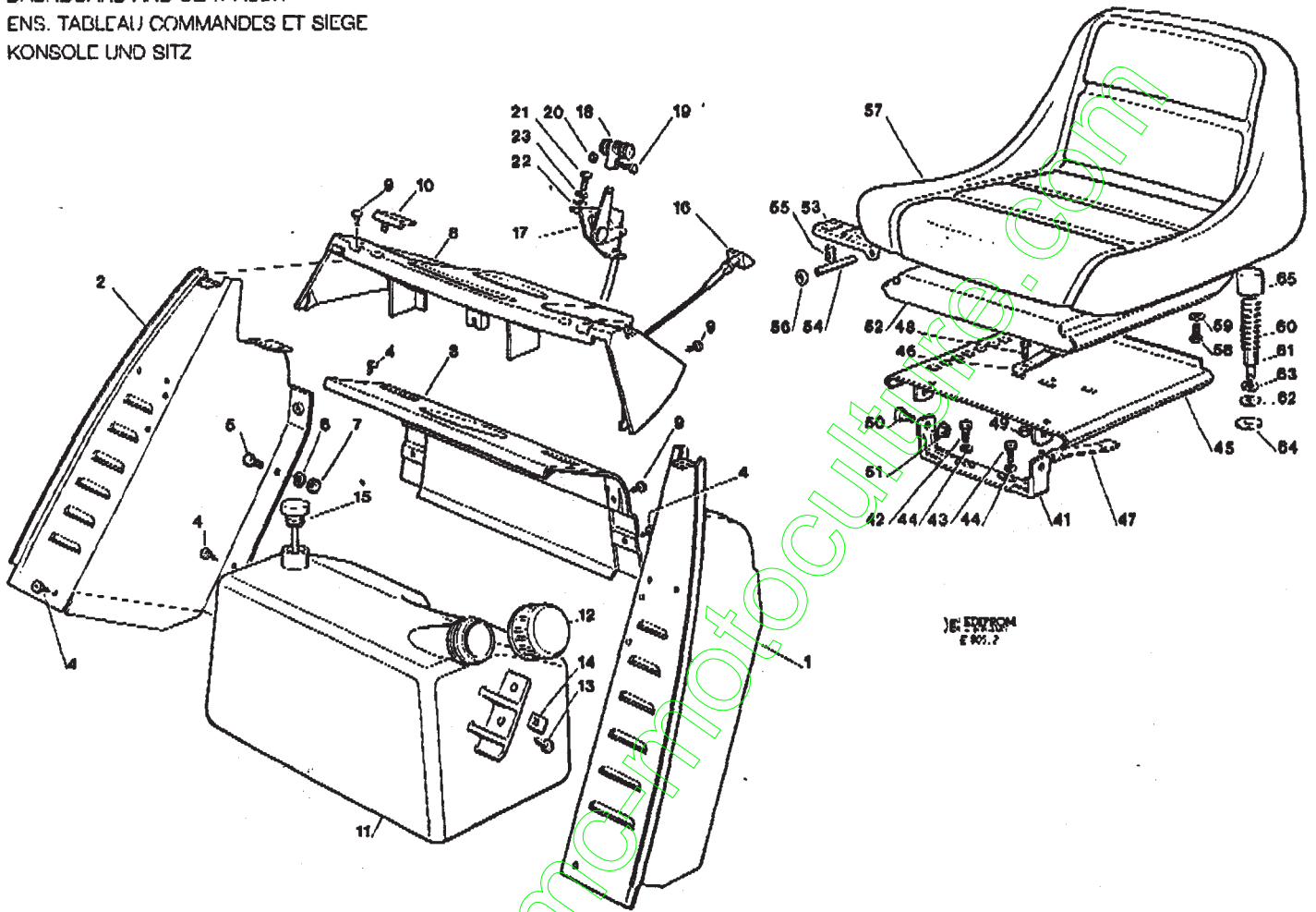
Pos. Nr.	Codice Kodex Code	Descrizione	Description	Description	Beschreibung	Q.tà Q.ty Q.té Menge
1	8280005/0	ASS. TELAIO	CHASSIS ASS.Y	ENSEMBLE CHASSIS	RAHMENSATZ	1
2	82076801/0	ASS. COFANO SUPER.	UPPER ENGINE HOOD	ENSEMBLE CAPOT SUP.	OBERHAUBESATZ	1
3	25547016/0	PIASTRINA	PLATE	PLAQUE	PLATTE	1
4	25410858/0	MASCHERINA	GRILL	PANNEAU	SCHUTZ	1
5	25076802/0	COFANO INTERIORE	LOWER ENGINE HOOD	ENSEMBLE CAPOT INF.	UNTERHAUBESATZ	1
6	25730000/0	SEPARATORE ASPIRAZ.	INTAKE SEPARATOR	SEPARATEUR ASPIRATION	SAUGENABSCHLEIDER	1
7	25510015/0	PERNO	PIN	PIVOT	BOLZEN	2
8	12155000/0	DADO	NUT	ECROU	MUTTER	2
9	25110157/0	COPERTURA RUOTE	WHEELS COVER	COUVRE-ROUES	RADENKAPPE	1
10	12731350/0	VITE	SCREW	VIS	SCHRAUBE	4
11	25110260/0	COPRIPEDANA SX	LEFT FOOTBOARD COVER	COUVRE MARCHEPIED GAUCHE	LINKE FUSSBRETTDECKE	1
12	25110261/0	COPRIPEDANA DX	RIGHT FOOTBOARD COVER	COUVRE MARCHEPIED DROITE	RECHTE FUSSBRETTDECKE	1
13	82547001/0	ASS. PIASTRA POST.	REAR PLATE ASS.Y	ENS. PLAQUE POSTERIEURE	HINTERPLATTENSATZ	1
14	12293201/0	DADO	NUT	ECROU	MUTTER	5
15	12295200/0	DADO	NUT	ECROU	MUTTER	2
16	12585100/0	GROWER	GROWER	GROWER	GROWER	2
17	25650021/0	RINFORZO PIASTRA POST.	REAR PLATE STIFFENING	RENFORCEMENT PLAQUE POST.	HINTERPLATTEVERSTÄRKUNG	2
18	12792610/0	VITE	SCREW	VIS	SCHRAUBE	2
19	12793301/0	VITE	SCREW	VIS	SCHRAUBE	2
20	12293201/0	DADO	NUT	ECROU	MUTTER	4
21	82597120/0	PORTINA	HANDHOLE	GRILLE	GITTER	1
22	12728450/0	VITE	SCREW	VIS	MUTTER	1

PARTI DI RICAMBIO PER IL TRATTORINO
 SPARE PARTS FOR RIDER-ON-MOWERS
 PIECES DETACHEES POUR TONDEUSE AUTOPORTEE
 RASENTRAKTORERSATZTEILE

TC 12,5 HP ³
 TC 14 HP
 002

GRUPPO CRUSCOTTO E SEDILE
 DASHBOARD AND SEAT ASS.Y
 ENS. TABLEAU COMMANDES ET SIEGE
 KONSOLLE UND SITZ

Mod. 1992



Pos. Nr.	Codice Kodex Code	Descrizione	Description	Description	Beschreibung	Q.tà Q.ty Q.té Menge
1	82785021/0	SUPP. CRUSCOTTO SX	LEFT DASHBOARD SUPP.	SUPPORT TABLEAU GAUCHE	LINKER KONSOLHALTER	1
2	82785022/0	SUPP. CRUSCOTTO DX	RIGHT DASHBOARD SUPP.	SUPPORT TABLEAU DROITE	RECHTER KONSOLHALTER	1
3	82785023/0	SUPP. CRUSCOTTO CENTR.	CENTRAL DASHBOARD SUPP.	SUPPORT TABLEAU CENTRAL	ZENTRALER KONSOLHALTER	1
4	12728440/0	VITE	SCREW	VIS	SCHRAUBE	8
5	12790780/0	VITE	SCREW	VIS	SCHRAUBE	2
6	12582100/0	GROWER	GROWER	GROWER	GROWER	2
7	12292100/0	DADO	NUT	ECROU	MUTTER	2
8	25120144/0	CRUSCOTTO COMANDI	DASHBOARD	TABLAU COMMANDES	KONSOLLE	1
9	12728440/0	VITE	SCREW	VIS	SCHRAUBE	4
10	25260000/0	GOMMINO	GROMMET	PROTECTION	SCHUTZ	2
11	25735110/0	SERBATOIO (12,5 HP)	TANK (12,5 HP)	RESERVOIR (12,5 HP)	TANK (12,5 HP)	1
11A	25735111/0	SERBATOIO (14 HP)	TANK (14 HP)	RESERVOIR (14 HP)	TANK (14 HP)	1
12	25795000/0	TAPPO	CAP	BOUCHON	TANKVERSCHLUSS	1
13	12731350/0	VITE	SCREW	VIS	SCHRAUBE	2
14	12437500/0	PIASTRINA	PLATE	PLAQUE	PLATTE	2
15	25290000/0	INDICATORE LIVELLO (14 HP)	FUEL LEVEL INDICATOR (14 HP)	INDICATEUR NIVEAU (14 HP)	KRAFTSTOFFMESSER (14 HP)	1
16	25090000/0	COMANDO STARTER (14 HP)	STARTER DRIVE (14 HP)	COMMANDE STARTER (14 HP)	STARTER BETÄFTIGUNG (14 HP)	1
17	82000200/0	ASS. ACCELERATORE (12,5 HP)	ACCELERATOR ASS.Y (12,5 HP)	ENSEMBLE ACCELERATEUR (12,5 HP)	GAS ZUG (12,5 HP)	1
17A	82000201/0	ASS. ACCELERATORE (14 HP)	ACCELERATOR ASS.Y (14 HP)	ENSEMBLE ACCELERATEUR (14 HP)	GAS ZUG (14 HP)	1
18	25394501/0	MANOPOLA	HANDLE	POIGNIF	GRIF	1
19	12726388/0	VITE	SCREW	VIS	SCHRAUBE	1

Pos. Nr.	Codice Kodex Code	Descrizione	Description	Description	Beschreibung	Q.tà Q.ty Q.té Menge
20	12290800/0	DADO	NUT	ECROU	MUTTER	1
21	12789000/0	VITE	SCREW	VIS	SCHRAUBE	2
22	12521320/0	RONDELLA	WASHER	RONDELLE	SCHEIBE	2
23	12681500/0	GROWER	GROWER	GROWER	GROWER	2
41	82774207/0	STAFFA SUPP. SEDILE	SEAT CLAMP SUPPORT	E IHIER SUPPORT SIEGE	BRIDE F. SITZHALTER	1
42	12793500/0	VITE	SCREW	VIS	SCHRAUBE	1
43	12792610/0	VITE	SCREW	VIS	SCHRAUBE	1
44	12583500/0	GROWER	GROWER	GROWER	GROWER	2
45	82785089/0	ASS. SUPP. SEDILE FISSO	FIXED SEAT SUPP.	SUPPORT SIEGE FIXE	FEST SITZHALTER	1
46	25430203/0	MOLLA ARRESTO	SPRING	RESSORT D'ARRET	PASTFEDER	1
47	25430204/0	MOLLA COMANDO	SPRING	RESSORT DE COMMANDE	FEDER	1
48	12789000/0	VITE	SCREW	VIS	SCHRAUBE	2
49	12154330/0	DADO	NUT	ECROU	MUTTER	2
50	22524970/1	PERNO	PIN	PIVOT	BOLZEN	2
51	12293201/0	DADO	NUT	ECROU	MUTTER	2
52	82785087/0	SUPPORTO SEDILE	SEAT SUPPORT	SUPPORT SIEGE	SITZHALTER	1
53	25318109/0	LEVA ARRESTO	STOP LEVER	LEVIER D'ARRET	ABSTELLHEBEL	1
54	25510000/0	PERNO	PIN	PIVOT	BOLZEN	1
55	25430202/0	MOLLA	SPRING	RESSORT	FEDER	1
56	12604897/0	RONDELLA	WASHER	RONDELLE	SCHEIBE	2
57	25722450/0	SEDILE	SEAT	SIEGE	SITZ	1
58	12793101/0	VITE	SCREW	VIS	SCHRAUBE	4
59	12583500/0	GROWER	GROWER	GROWER	GROWER	4
60	25430205/0	MOLLA	SPRING	RESSORT	FEDER	2
61	25510016/0	PERNO	PIN	PIVOT	BOLZEN	2
62	12521350/0	RONDELLA	WASHER	RONDELLE	SCHEIBE	2
63	12583500/0	GROWER	GROWER	GROWER	GROWER	2
64	12523070/0	RONDELLA	WASHER	RONDELLE	SCHEIBE	2
65	25122000/0	CUFFIA PROTEZ.	HOOD	PROTECTEUR	SCHUTZKASTEN	2

contact@emc-motoculture.com

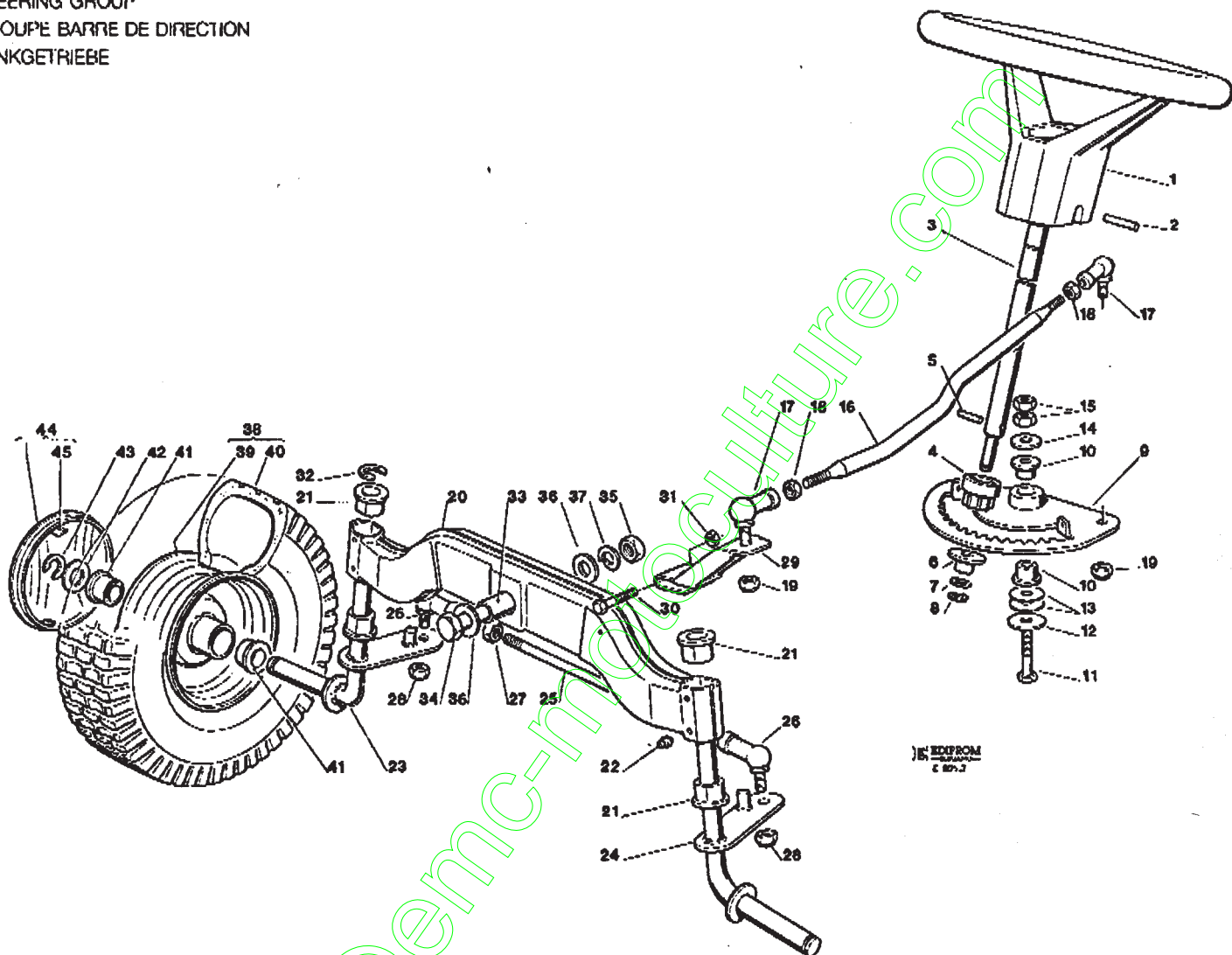
PARTI DI RICAMBIO PER IL TRATTORINO
 SPARE PARTS FOR RIDER-ON-MOWERS
 PIECES DETACHEES POUR TONDEUSE AUTOPORTEE
 RASENTRAKTORERSATZTEILE

TC 12,5 HP
 TC 14 HP

003

GRUPPO STEZZO
 STEERING GROUP
 GROUPE BARRE DE DIRECTION
 LENKGETRIEBE

Mod. 1992



Pos. Nr.	Codice Kodex Code	Descrizione	Description	Description	Beschreibung	Q.tà Q.ty Q.té Menge
1	25961200/0	VOL ANTE	STEFFING WHFFI	VOL ANT	LENKRAD	1
2	12620299/0	SPINA	PIN	GOUPIL F	STIFT	1
3	25520000/0	PIANTONE	STEFFING COLUMN	TUBE DE DIRECTION	LENKUNGSAEULE	1
4	25570000/0	PIGNONE	PINION	PIGNON	RITZEL	1
5	12622650/0	SPINA	PIN	GOUPILLE	STIFT	1
6	25034001/0	BRONZINA	BRASS	COUSSINET	BÜCHSE	1
7	12521370/0	RONDELLA	WASHER	RONDELLE	SCHEIBE	1
8	12436030/0	PIASTRINA	PLATE	PLAQUETTE	PLATTECHEN	1
9	82735501/0	ASS. SETTORE STERZO	STEFFING SHAFT ASS.Y	ENSEMBL F ARBRE DIRECTION	LENKUNGSWELLE	1
10	25160001/0	BRONZINA	BRASS	COUSSINET	BÜCHSE	2
11	12692400/0	VITE	SCREW	VIS	SCHRAUBE	1
12	12523090/0	RONDELLA	WASHER	RONDELLE	SCHEIBE	1
13	22672150/0	RONDELLA	WASHER	RONDELLE	SCHEIBE	2
14	25670002/0	RONDELLA	WASHER	RONDELLE	SCHEIBE	1
15	12156602/0	DADO	NUT	ECROU	MUTTER	2
16	25033003/0	ASS. ASTA COMANDO STERZO	STEERING ROD ASS.Y	ENS. LEVIER BARRE DE DIRECTION	LENKUNGSSTAB	1
17	22746600/0	SNODO M10	JOINT M10	JOINT M10	GELENK M10	2
18	12295200/0	DADO	NUT	ECROU	MUTTER	2
19	12156602/0	DADO	NUT	ECROU	MUTTER	2
20	82034001/0	ASS. BILANCIERE	EQUALIZER ASS.Y	ENSEMBLE BALANCIER	KIPPEBEL	1

Pos. Nr.	Codice Kodex Code	Descrizione	Description	Description	Beschreibung	Q.tà Q.ty Q.té Menge
21	25034000/0	BRONZINA	BRASS	COUSSIN E I	BÜCHSE	4
22	12379511/0	INGRASSATORE	GREASE DISPENSER	GRAISSEUR	FETT BÜCHSE	4
23	82230353/0	ASS. FUSCELLO DX	R. STUB AXLE ASS.Y	ENSSEMBLE FUSCAU DROITE	RECHTER ACHSSCHENKEL	1
24	82230352/0	ASS. FUSCELLO SX	L. STUB AXLE ASS.Y	ENSEMBLE FUSCAU GAUCHE	LINKER ACHSSCHENKEL	1
25	25840001/0	TIRANTE	TIE ROD	TIRANT	KUPLUNG	1
26	22746600/0	SNODO M10	JOINT M10	JOINT M10	GELENK M10	2
27	12295200/0	DADO	NUT	ECROU	MUTTER	2
28	12156602/0	DADO	NUT	ECROU	MUTTER	2
29	82318101/0	ASS. LEVA COMANDO	LEVER ASS.Y	ENSEMBLE LEVIER	HEBEL	1
30	12691700/0	VITE	SCREW	VIS	SCHRAUBE	1
31	12155000/0	DADO	NUT	ECROU	MUTTER	1
32	12001000/0	ANELLO ELASTICO	SNAP RING	ANNEAU RESSORT	SPRENGRING	1
33	25160005/0	DISTANZIALE	SPACER	ENTRETOISE	ENTFERNUNGSTUECK	1
34	12694100/0	VITE	SCREW	VIS	SCHRAUBE	1
35	12295800/0	DADO	NUT	ECROU	MUTTER	1
36	12521390/0	RONDELLA	WASHER	RONDELLE	SCHEIBE	2
37	12587900/0	GROWER	GROWER	GROWER	GROWER	1
38	82680000/0	RUOTA COMPLETA SENZA BOCCOLE/CUSCINETTI (TURF-SAVER)	WHEEL ASS.Y WITHOUT BUSHINGS/BEARINGS (TURF-SAVER)	ENS. ROUC SANS DOUILLE/ROULEMENTS (TURF-SAVER)	VORERRAD OHNE BÜCHSE/LAGER (TURF-SAVER)	2
38A	82680000/1	RUOTA COMPLETA SENZA BOCCOLE/CUSCINETTI (TURF-SAVER II)	WHEEL ASS.Y WITHOUT BUSHINGS/BEARINGS (TURF-SAVER II)	ENS. ROUC SANS DOUILLE/ROULEMENTS (TURF-SAVER II)	VORERRAD OHNE BÜCHSE/LAGER (TURF-SAVER II)	2
39	82000590/0	ASS. CERCHIO RUOTA ANT. PNEUMATICO (TURF-SAVER)	FRONT RIMM ASS.Y SHOE (TURF-SAVER)	BANDAGE ROUC ANT. PNEU (TURF-SAVER)	VORERRAD FELGE PNEU (TURF-SAVER)	2
40	25590000/0	PNEUMATICO (TURF-SAVER II)	SHOE (TURF-SAVER II)	PNEU (TURF-SAVER II)	REIFEN (TURF-SAVER II)	2
40A	25590000/1	PNEUMATICO (TURF-SAVER II)	SHOE (TURF-SAVER II)	PNEU (TURF-SAVER II)	REIFEN (TURF-SAVER II)	2
41	25038001/0	BOCCOLA	BUSHING	DOUILLE	BÜCHSE	4
41A	25122200/0	CUSCINETTO	BEARING	ROULEMENT	LAGER	4
42	25670005/0	RONDELLA	WASHER	RONDELLE	SCHEIBE	2
43	12001000/0	ANELLO ELASTICO	SNAP RING	ANNEAU RESSORT	SPRENGRING	2
44	82110250/0	ASS. COPRINDISCO RUOTA ANT.	FRONT WHEEL COVER ASS.Y	ENS. COUVRE DISQUE ROUC ANTERIEURE	VORERRAD DECKEL	2
45	25430209/0	MOLLA AGGANCIAMENTO	SPRING	RESSORT	FEDER	8

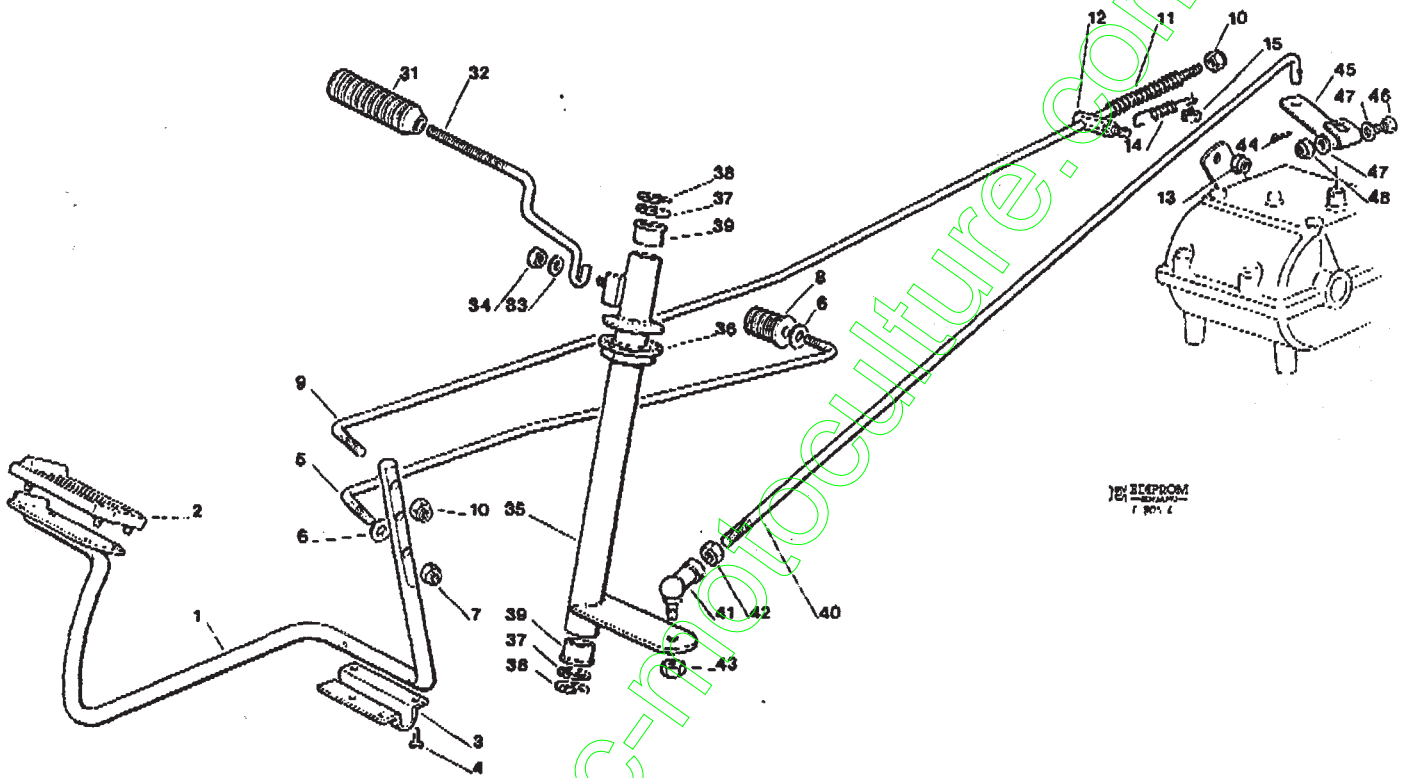
PARTI DI RICAMBIO PER IL TRATTORE
 SPARE PARTS FOR RIDER-ON-MOWERS
 PIÉCES DÉTACHÉES POUR TONDEUSE AUTOPORTÉE
 BASENTRAKTORERSATZTEILE

TC 12,5 HP
 TC 14 HP

004

GRUPPO COMANDO CAMBIO E FRENO
 GEARBOX AND BRAKE ASS.Y
 GROUPE BOITE DE VITESSE ET FREIN
 WECHSEL UND BREMS SATZ

Mod. 1992



Pos. Nr.	Codice Kodex Code	Descrizione	Description	Description	Beschreibung	Q.tà Q.ty Q.té Menge
1	82500000/0	ASS. PEDALE FRENO	BRAKE PEDAL ASS.Y	ENSEMBLE PEDALE DE FREIN	BREMSPEDAL	1
2	25110262/0	COPRISTAFFA	CLAMP COVER	COUVRE ETRIER	BRIDEDECKEL	1
3	25547012/0	PIASTRINA	PLATE	PLAQUE	PLATTE	1
4	12728510/0	VITE	SCREW	VIS	SCHRAUBE	4
5	25033008/0	ASTA	ROD	BARRE	STANGE	1
6	12521350/0	RONDELLA	WASHER	RONDELLE	SCHEIBE	2
7	12155000/0	DADO	NUT	ECROU	MUTTER	1
8	82394500/0	ASS. MANOPOLA FRENO	BRAKE KNOB ASS.Y	ENS. POIGNEE DE FREIN	BREMSEKNOPF	1
9	25033006/0	ASTA COMANDO FRENO CAMBIO	BRAKE CONTROL ASS.Y	ENSEMBLE CONTROL F.FREIN	BREMSE KONTROLLESATZ	1
10	12154510/0	DADO	NUT	ECROU	MUTTER	2
11	25430212/0	MOLLA	SPRING	RESSORT	FEDER	1
12	25510017/0	PERNO	PIN	PIVOT	BOLZEN	1
13	12155000/0	DADO	NUT	ECROU	MUTTER	1
14	25430213/0	MOLLA RICHIAMO FRENO	SPRING BRAKE	RESSORT FREIN	FEDER BREMSE	1
15	12155000/0	DADO	NUT	ECROU	MUTTER	1
31	82394502/0	ASS. MANOPOLA CAMBIO	GEARBOX KNOB ASS.Y	POIGNEE BOITE DE VITESSE	WECHSELGETRIEBE	1
32	25318111/0	LEVA COMANDO CAMBIO	GEARSHIFT	LEVIER CHANGEMENT DE VITESSE	GETRIEBE HEBEL	1
33	25670007/0	RONDELLA	WASHER	RONDELLE	SCHEIBE	1
34	12155000/0	DADO	NUT	ECROU	MUTTER	1
35	82869003/0	ASS. TUBO COMANDO MARCE	SPEED DRIVE TUBE	TUBE COMMANDE CHANGEMENT DE VITESSE	GAENGESCHALTUNG ROHR	1

Pos. Nr.	Codice Kodex Code	Descrizione	Description	Description	Beschreibung	Q.tà Q.ty Q.té Menge
36	25040602/0	BUSSOLA	BUSH	DOUILLE	BÜCHSE	2
37	25670006/0	RONDELLA	WASHER	RONDELLE	SCHIBE	2
38	12001000/0	SEEGER	SEEGER	SEEGER	SEEGER	2
39	25040601/0	BUSSOLA	BUSH	DOUILLE	BÜCHSE	2
40	25033004/0	ASTA	ROD	BARRC	STANGE	1
41	22746601/0	SNODO M8	JOINT M8	JOINT M8	GELENK M8	1
42	12293200/0	DADO	NUT	ECROU	MUTTER	1
43	12155000/0	DADO	NUT	ECROU	MUTTER	1
44	12141418/0	COPPIGLIA	COTTER PIN	GOUPILL F.	SPLIT	1
45	25318117/0	LEVA CAMBIO	GEARSHIFT	LEVER CHANGEMENT DE VITESSE	GETRIEBE HEBEL	1
46	12792410/0	VITE	SCREW	VIS	SCHRAUBE	1
47	12521330/0	RONDELLA	WASHER	RONDELLE	SCHIBE	2
48	12154510/0	DADO	NUT	ECROU	MUTTER	1

contact@emc-motoculture.com

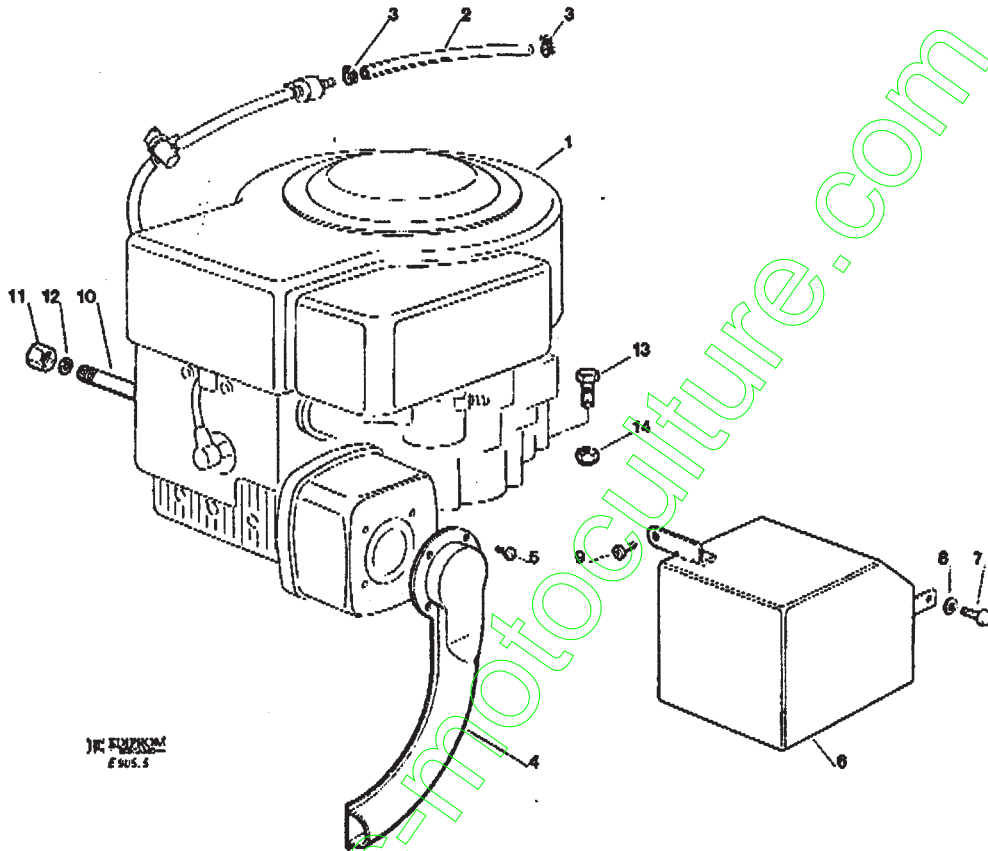
PARTI DI RICAMBIO PER IL TRATTORE
 SPARE PARTS FOR RIDER-ON-MOWERS
 PIÉCES DÉTAICHÉES POUR TONDEUSE AUTOPORTEE
 FASENTHAKI ÖRSÄTZTEILE

TC 12,5 HP

005

GRUPPO MOTORE B&S 12,5 HP
 ENGINE B&S 12.5 HP ASS.Y
 GROUPE MOTEUR B&S 12,5 HP
 MOTORSAITZ B&S 12,5 PS

Mod. 1992



Pos. Nr.	Codice Kodex Code	Descrizione	Description	Description	Beschreibung	Q.tà Q.ty Q.16 Menge
1	—	MOTORE	ENGINE	MOTEUR	MOTOR	1
2	25869003/0	TUBO COLLEGAMENTO	CONNECTING TUBE	TUBE DE CONNEXION	VERBINDUNGSRÖHR	1
3	18375051/0	FASCETTA	FAIR LEAD	FIXATION DE CABLE	KABEL BEFESTIGUNG	6
4	82640001/0	ASS. RACCORDO SCARICO	EXHAUST CONNECTION	CONNEXION ECHAPPEMENT	AUSPUFFANSCHLUSS	1
5	12735106/0	VITE	SCREW	VIS	SCHRAUBE	4
6	82598001/0	ASS. PROTEZIONE SILENZIATORE	MUFFLER PROTECTION ASS.Y	PROTECTION SILENCIEUX	AUSPUFFSCHUTZ	1
7	12735350/0	VITE	SCREW	VIS	SCHRAUBE	1
8	12582100/0	GROWER	GROWER	GROWER	GROWER	1
9	12735104/0	VITE	SCREW	VIS	SCHRAUBE	1
10	25598050/0	PROLUNGA SCARICO	DISCHARGE EXTENSION	RALLONGE DE DECHARGEMENT	ENTLERUNGSVERLAENGERUNG	1
11	18737849/0	TAPPO PER PROLUNGA	OIL CAP	BOUCHON HUILE	OELVERSCHLUSS	1
12	18401001/0	GUARNIZIONE	OIL SEAL	GARNITURE	DICHTUNG	1
13	12793600/0	VITE	SCREW	VIS	SCHRAUBE	4
14	12155000/0	DADO	NUT	ECROU	MUTTER	4

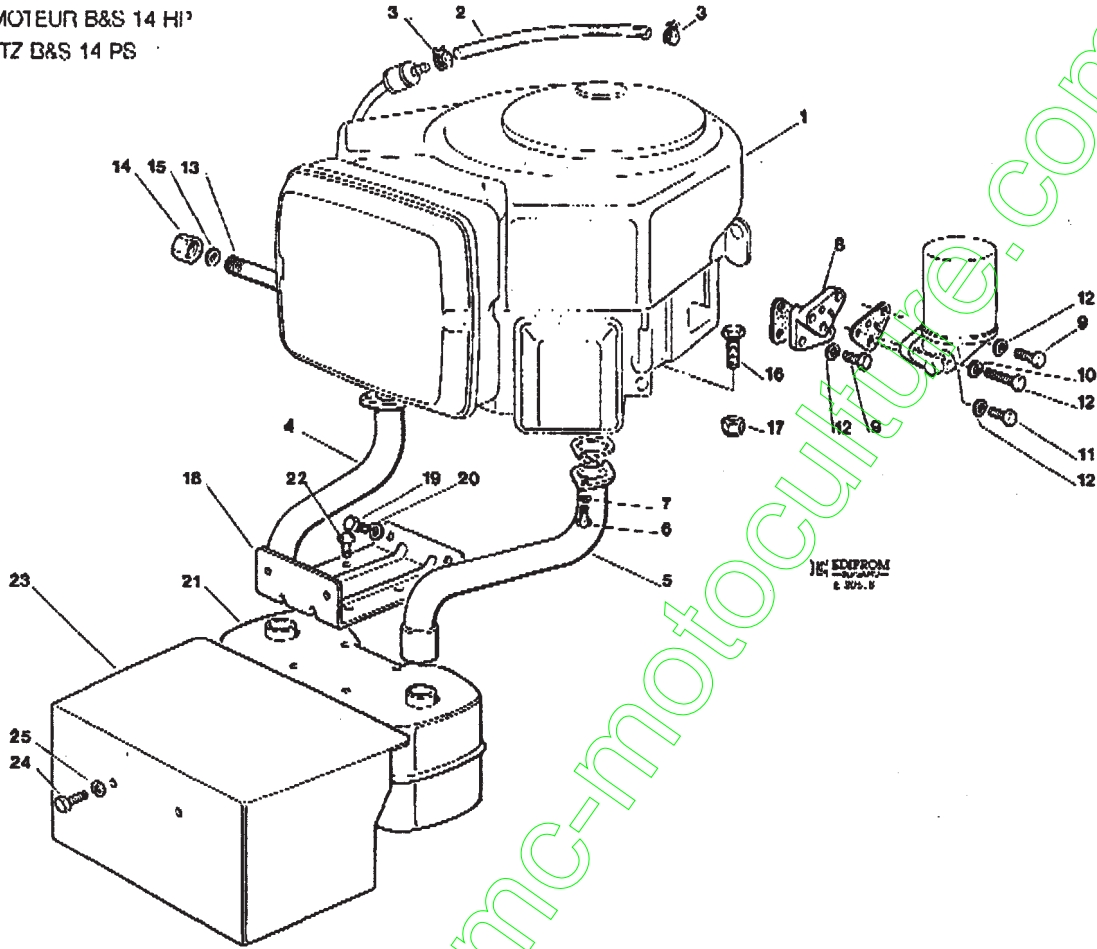
PARTI DI RICAMBIO PER IL THATIONINO
 SPARE PARTS FOR RIDER-ON-MOWERS
 PIECES DETACHEES POUR TONDEUSE AUTOPORTEE
 RASENTRAKTORERSATZTEILE

TC 14 HP

006

GRUPPO MOTORE B&S 14 HP
 ENGINE B&S 14 HP ASS.Y
 GROUPE MOTEUR B&S 14 HP
 MOTORSATZ B&S 14 PS

Mod. 1992



Pos. Nr.	Codice Kodex Code	Descrizione	Description	Description	Beschreibung	Q.tà Q.ty Q.té Menge
1		MOTORE	ENGINE	MOTEUR	MOTOR	1
2	25869001/0	TUBO COLLEGAMENTO	CONNECTING TUBE	TUBE DE CONNEXION	VERBINDUNGSRÖHR	1
3	18375051/0	FASCETTA	FAIR LID	FIXATION DE CABLE	KABELBEFESTIGUNG	2
4	18738202/0	TUBO RACCORDO SCARICO DX	EXHAUST RIGHT CONNECTING TUBE	TUBE DE CONNEXION DROIT POUR ECHAPPEMENT	RECHTES VERBINDUNGSRÖHR FÜR ABGASUNG	1
5	18738203/0	TUBO RACCORDO SCARICO SX	EXHAUST LEFT CONNECTING TUBE	TUBE DE CONNEXION GAUCHE POUR ECHAPPEMENT	LINKES VERBINDUNGSRÖHR FÜR ABGASUNG	1
6	12793101/0	VITE	SCREW	VIS	SCHRAUBE	4
7	12583500/0	GROWER	GROWER	GROWER	GROWER	4
8	25785095/0	SUPPORTO FILTRO	FILTER SUPPORT	SUPPORTE DU FILTRE	WECHSELFILTER HALTER	1
9	12791400/0	VITE	SCREW	VIS	SCHRAUBE	3
10	12792410/0	VITE	SCREW	VIS	SCHRAUBE	1
11	12791213/0	VITE	SCREW	VIS	SCHRAUBE	1
12	12582100/0	GROWER	GROWER	GROWER	GROWER	5
13	25598050/0	PROLUNGA SCARICO OLIO	OIL DISCHARGE	EXTENSION RALLONGE DE DESCHARGEMENT HUILE	ENTLEERUNGSVERLÄNGERUNG	1
14	18737849/0	TAPPO PROLUNGA	OIL CAP	BOUCHON HUILE	ÖELVERSCHLUSS	1
15	18401001/0	GUARNIZIONE	OIL SEAL	GARNITURE	DICHTUNG	1
16	12793600/0	VITE	SCREW	VIS	SCHRAUBE	4
17	12155000/0	DADO	NUT	ECCROU	MUTTER	4
18	82785093/0	ASS. SUPPORTO SILENZIATORE	MUFFLER SUPPORT ASS.Y	GROUPS SUPPORT SILENCEUX	AUSPUFFHALTER	1
19	12792610/0	VITE	SCREW	VIS	SCHRAUBE	2
20	12583500/0	GROWER	GROWER	GROWER	GROWER	2
21	18716131/0	SILENZIATORE	MUFFLER	SILENCEUX	AUSPUFF	1
22	12736107/0	VITE	SCREW	VIS	SCHRAUBE	4

4

Pos. Nr.	Codice Kodex Code	Descrizione	Description	Description	Beschreibung	Q.tà Q.ty Q.té Menge
23	25600012/0	PROTEZIONE	GUARD	PROTECTION	SCHUTZE	1
24	12792610/0	VITE	SCREW	VIS	SCHRAUBE	2
25	12583500/0	GROWER	GROWER	GROWER	GROWER	2

contact@emc-motoculture.com

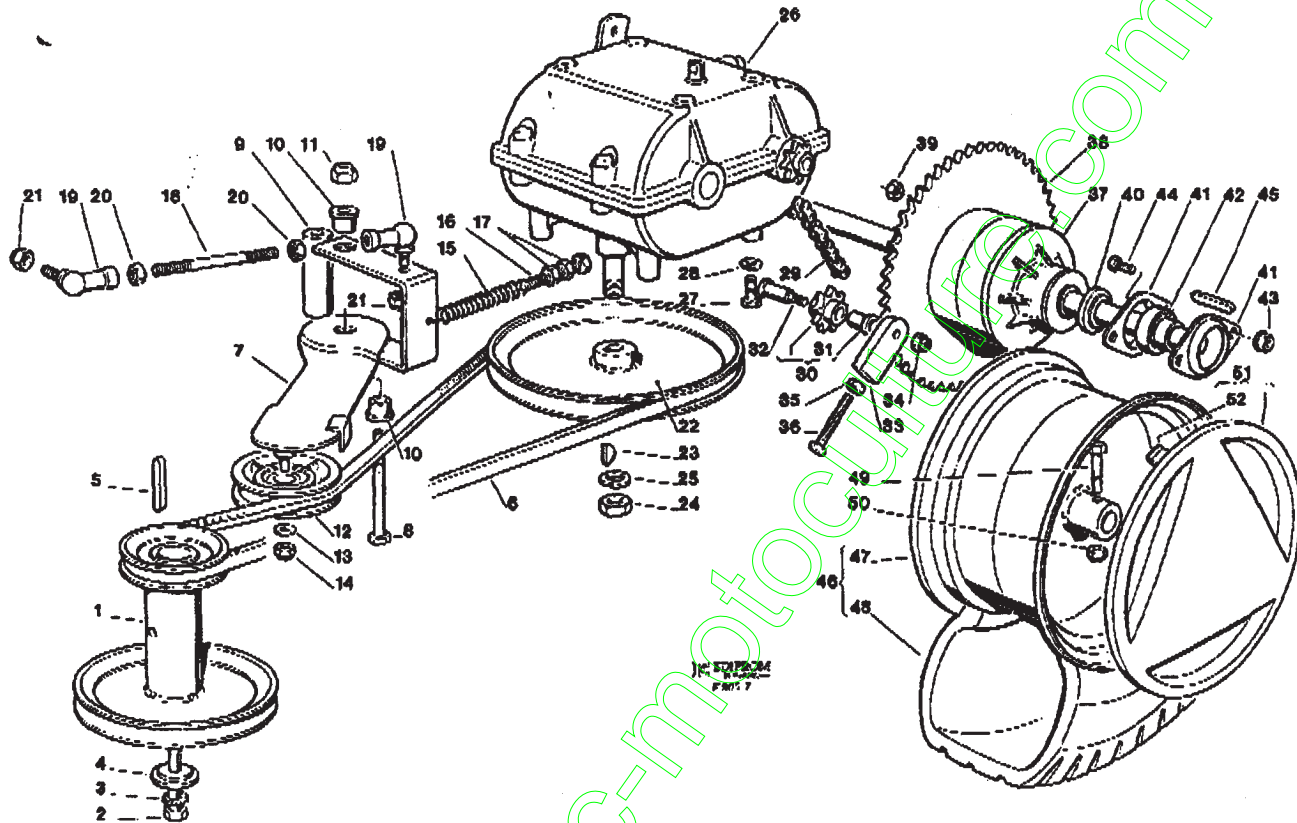
PARTI DI RICAMBIO PER IL TRATTORE
 SPARE PARTS FOR RIDER-ON-MOWERS
 PIÉCES DÉTACHÉES POUR TONDEUSE AUTOPORTEE
 RASENTRAKTORERSATZTEILE

TC 12,5 HP
 TC 14 HP

007

GRUPPO CAMBIO E TRASMISSIONE
 GEARBOX AND TRANSMISSION GROUP
 GROUPE CHANGEMENT DE VITESSE
 WECHSEL UND ANTRIEB

Mod. 1992



Pos. Nr.	Codice Kodex Code	Descrizione	Description	Description	Beschreibung	Q.tà Q.ty Q.té Menge
1	25601552/0	ASS. PULEGGIA MOTORE	ENGINE PULLEY ASS.Y	ENS. POULIE MOTEUR	RIEMENSCHLEIBE	1
2	12737310/0	VITE	SCREW	VIS	SCHRAUBE	1
3	12540080/0	RONDELLA	WASHER	RONDELLE	SCHLEIBE	1
4	22671433/0	BOCCOLA	BUSHING	DOUILLE	BÜCHSE	1
5	12139490/0	CHIAVETTA	KEY	CLAVETTE	KEIL	1
6	35061501/0	CINGHIA	BELT	COURROIE	RIEMEN	1
7	8231811/0	ASS. LEVA GALOPINO	TIGHTENER LFVER	LEVIER GALOPIN	LEIT ROLLE	1
8	12692080/0	VITE	SCREW	VIS	SCHRAUBE	1
9	25160008/0	DISTANZIALE	SPACER	ENTRETOISE	ENTFERNUNGSTUECK	1
10	25038002/0	BOCCOLA	BUSHING	DOUILLE	BÜCHSE	2
11	12155000/0	DADO	NUT	ECROU	MUTTER	1
12	25601554/0	PULEGGIA	PULLEY	POULIE	RIEMENSCHLEIBE	1
13	12523060/0	RONDELLA	WASHER	RONDELLE	SCHLEIBE	1
14	12155000/0	DADO	NUT	ECROU	MUTTER	1
15	25430214/0	MOLLA	SPRING	RESSORT	FEDER	1
16	22943005/0	VITE	SCREW	VIS	SCHRAUBE	1
17	12293200/0	DADO	NUT	ECROU	MUTTER	2
18	25598002/0	FRIGIONIERO	STUD SCREW	PRISONNIER	STIFTSCHLEIBE	1
19	22746601/0	SNODO MB	JOINT MB	JOINT MB	GLENK MB	2
20	12293200/0	DADO	NUT	ECROU	MUTTER	2
21	12293201/0	DADO	NUT	ECROU	MUTTER	2
22	25601551/0	PULEGGIA	PULLEY	POULIE	RIEMENSCHLEIBE	1
23	12138810/0	LINGUETTA	KEY	CLAVETTE	KEIL	1
24	12361010/0	DADO	NUT	ECROU	MUTTER	1
25	12587100/0	GROWER	GROWER	GROWER	GROWER	1
26	18159002/0	CAMBIO	GEAR BOX	BOITE DE VITESSE	GETRIEBE	1

Pos. Nr.	Codice Kodex Code	Descrizione	Description	Description	Beschreibung	Q.tà Q.ty Q.té Menge
27	12735530/0	VITE	SCREW	VIS	SCHRAUBE	4
28	12583500/0	GROWER	GROWER	GROWER	GROWER	4
29	16189000/0	CATENA	CHAIN	CHAINE	KETTE	1
30	8100000/0	PIGNONE+BRONZINA	PINION+BRASS	PIGNON+COUSSINET	RITZEL+BÜCHSE	1
31	22038110/0	BRONZINA	BRASS	COUSSINET	BÜCHSE	1
32	25510002/0	PERNO	PIN	PIVOT	BOLZEN	1
33	25785094/0	SUPPORTO PIGNONE	PINION SUPPORT	SUPPORT PIGNON	RITZEL HALTER	1
34	12155000/0	DADO	NUT	ECROU	MUTTER	1
35	12793905/0	VITE	SCREW	VIS	SCHRAUBE	1
36	12293200/0	DADO	NUT	ECROU	MUTTER	1
37	25140200/0	DIFFERENZIALE	DIFFERENTIAL GEAR	DIFFERENTIEL	DIFFERENTIAL	1
38	16694600/0	CORONA	RING GEAR	COURONNE	KRANZ	1
39	12360354/0	DADO	NUT	ECROU	MUTTER	4
40	25160010/0	DISTANZIALE	SPACER	ENTRETOISE	ENTFERNUNGSTUECK	2
41	22207319/0	FLANGIA	FLANGE	BRIDE	FLANSCH	6
42	25122201/0	CUSCINETTO	BEARING	COUSSINET	KUGELLAGER	3
43	12293201/0	DADO	NUT	ECROU	MUTTER	4
44	12793301/0	VITE	SCREW	VIS	SCHRAUBE	2
45	24451425/0	CHIAVETTA	KEY	CLAVETTE	KEIL	2
46	82680001/0	RUOTA COMPLETA (TURF-SAVER)	WHEEL ASS.Y (TURF-SAVER)	ENSEMBLE ROUE (TURF-SAVER)	RAD (TURF-SAVER)	2
46A	82680001/1	RUOTA COMPLETA (TURF-SAVER II)	WHEEL ASS.Y (TURF-SAVER II)	ENSEMBLE ROUE (TURF-SAVER II)	RAD (TURF-SAVER)	2
47	82000591/0	ASS. CERCHIO RUOTA POST.	REAR RIMM ASS.Y	BANDAGE ROUE POST.	HINTERRAD FELGER	2
48	25590001/0	PNEUMATICO (TURF-SAVER)	SHOE (TURF-SAVER)	PNEU (TURF-SAVER)	REIFEN (TURF-SAVER)	2
48A	25590001/1	PNEUMATICO (TURF-SAVER II)	SHOE (TURF-SAVER II)	PNEU (TURF-SAVER II)	REIFEN (TURF-SAVER II)	2
49	12691200/0	VITE	SCREW	VIS	SCHRAUBE	2
50	12155000/0	DADO	NUT	ECROU	MUTTER	2
51	82110251/0	COPRIRUOTA POST.	REAR WHEEL DECK	COUVRE ROUE POST.	HINTERRADDECKEL	2
52	25430209/0	MOLLA AGGANCIO	SPRING	RESSORT	FEDER	8

contact@emc-motors.com

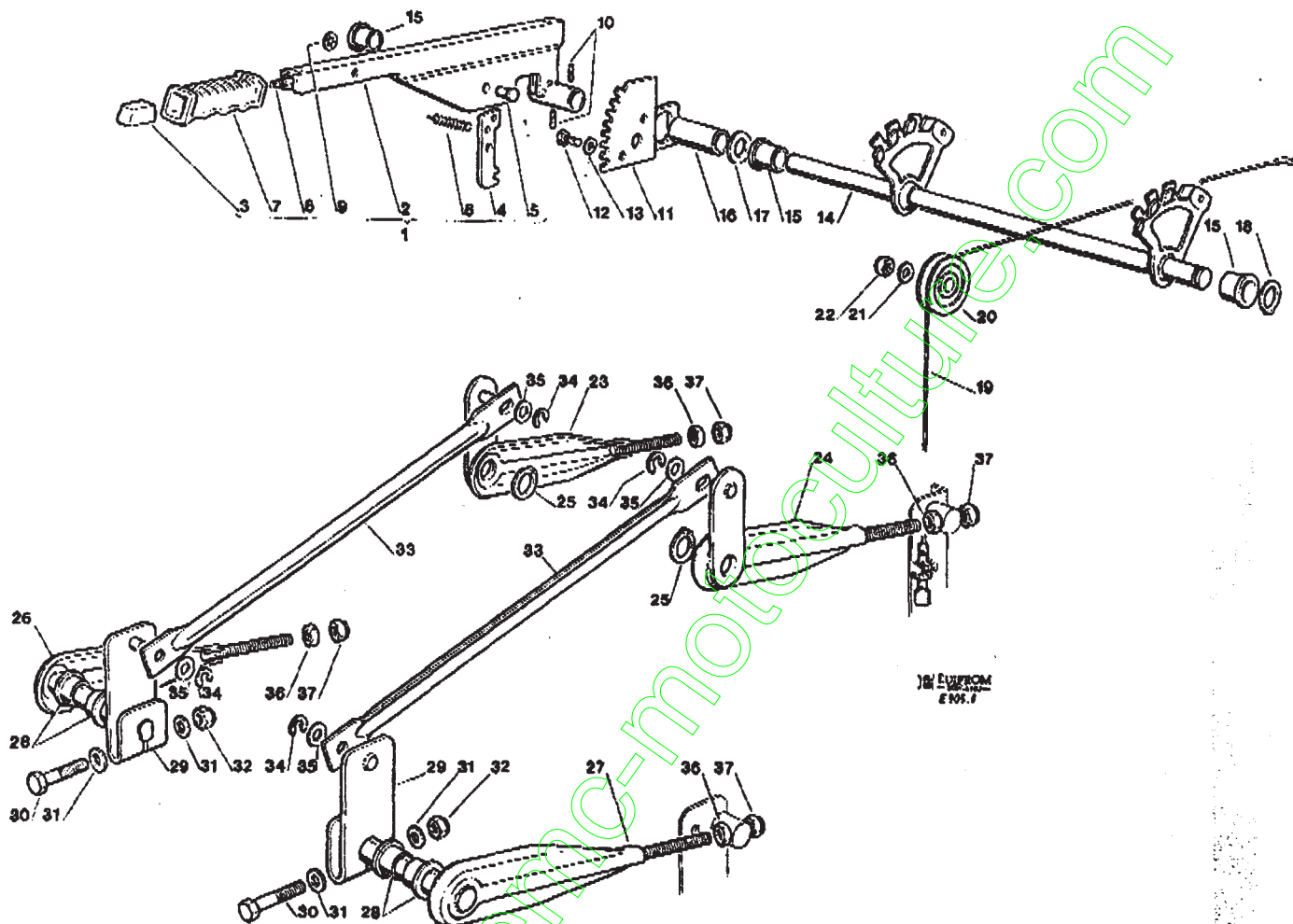
PARTI DI RICAMBIO PER IL TRATTORINO
 SPARE PARTS FOR RIDER-ON MOWERS
 PIÈCES DETACHÉES POUR TONDEUSE AUTOPORTÉE
 RASENTRAKTORREHSATZTEILE

TC 12,5 HP
 TC 14 HP

008

GRUPPO SOLLEVAMENTO PIATTO
 CUTTING PLATE LIFTING ASS.Y
 ENS. SOULÈVEMENT PLATEAU DE COUPE
 SCHNEIDWERKZEUG AUFHEBESATZ

Mod. 1992



Pos. Nr.	Codice Kodex Code	Descrizione	Description	Description	Beschreibung	Q.tà Q.ty Q.té Menge
1	82300000/0	ASS. GRUPPO L'FA SOLLEVAMENTO PIATTO	LIFTING LEVER ASS.Y	ENS. LEVIER SOULEVEMENT PLATEAU DE COUPE	SCHNEIDWERKZEUG AUFHEBENSHEBEL	1
2	82318103/0	L'FA SOLLEVAMENTO	LIFTING LEVER	LEVIER DE SOULÈVEMENT	AUFHEBENSHEBEL	1
3	82605000/0	PULSANTE	BUTTON	POUSSOIR	DRUCKKNOPF	1
4	25470901/0	NASELLO	DOG	DECLIC	NASE	1
5	25510011/0	PERNO	PIN	PIVOT	BOLZEN	1
6	25033002/0	ASTA COMANDO	PUSH ROD	TIGE COMMANDÉ	BETAETIGUNGSSTAB	1
7	25391504/0	MANOPOLA	KNOB	POIGNEE	GRIFF	1
8	25430208/0	MOLLA	SPRING	RESSORT	FEDER	1
9	12604899/0	RONDELLA	WASHER	RONDELLE	SCHEIBE	1
10	12620206/0	SIFINA	PIN	GOUPILLIF	STIFT	1
11	25735501/0	SETTORE REGOLAZIONE	ADJ. SECTOR	SECTEUR REGLEMENT	EINSTELLSEKTOR	1
12	12792611/0	VITE	SCREW	VIS	SCHRAURF	2
13	12583500/0	GROWER	GROWER	GROWER	GROWER	2
14	82000401/0	ASS. ASSE SOLLEVAMENTO	LIFTING SHAFT	ARBRE SOULEVEMENT	AUFHEBENSCHSE	1
15	22034523/0	BOCCOLA	BUSH	DOUILLE	BÜCHSE	3
16	25160004/0	DISTANZIALE	SPACER	ENTRETOISE	ENTFERNUNGSSTUECK	1
17	12521410/0	RONDELLA	WASHER	RONDELLE	SCHEIBE	1
18	12609300/0	SEEGER	SEEGER	SEEGER	SEEGER	1
19	82001600/0	ASS. FILO SOLLEVAMENTO	LIFTING WIRE	ENS. FIL SOULEVEMENT	AUFHEBENSCHNUR	2
20	22601904/0	PULEGGIA	PULLEY	POULIE	SCHEIBE	2
21	12521350/0	RONDELLA	WASHER	RONDELLE	SCHEIBE	2
22	12155000/0	DADO	NUT	ECROU	MUTTER	2

13

s. Codice Kodex Code	Descrizione	Description	Description	Beschreibung	Q.tà Q.ty Q.té Menge
82318105/0	ASS. LEVA FULCRO DX	RIGHT FULCRUM LEVER ASS.Y	LEVIER POINT D'APPUI DROITE	RECHTER SCHWENKPUNKT HEBEL	1
82318107/0	ASS. LEVA FULCRO SX	LEFT FULCRUM LEVER ASS.Y	LEVIER POINT D'APPUI GAUCHE	LINKER SCHWENKPUNKT HEBEL	1
12030000/0	ANELLO	RING	ANNEAU	RING	2
82318115/0	ASS. LEVA FULCRO ANT. DX	FRONT FULCRUM LEVER ASS.Y RIGHT	LEVIER POINT D'APPUI ANTERIEUR - DROITE	RECHTER VORDERSCH- WENKPUNKTHEBEL	1
82318117/0	ASS. LEVA FULCRO ANT. SX	FRONT FULCRUM LEVER ASS.Y LEFT	LEVIER POINT D'APPUI ANTERIEUR - GAUCHE	LINKER VORDERSCHWENK- PUNKTHEBEL	1
25040605/0	BUSSOLA	BUSH	DOUILLE	BÜCHSE	4
82318109/0	ASS. LEVA ASTA COLLEGAMENTO	CONNECTING ROD LEVER	LEVIER TIGE DE CONNEXION	VERBINDUNGSSTAB HEBEL	2
12691700/0	VITE	SCREW	VIS	SCHRAUBE	2
12521350/0	RONDELLA	WASHER	RONDELLE	SCHEIBE	4
12155000/0	DADO	NUT	ECROU	MUTTER	2
25033001/0	ASTA COLLEGAMENTO	CONNECTING ROD	TIGE DE CONNEXION	VERBINDUNGSSTAB	2
12000955/0	ANELLO ELASTICO	SNAP RING	ANNEAU RESSORT	SPRENGRING	4
25670008/0	RONDELLA	WASHER	RONDELLE	SCHEIBE	4
12295200/0	DADO	NUT	ECROU	MUTTER	4
12158602/0	DADO	NUT	ECROU	MUTTER	4

contact@emc-motocult.com

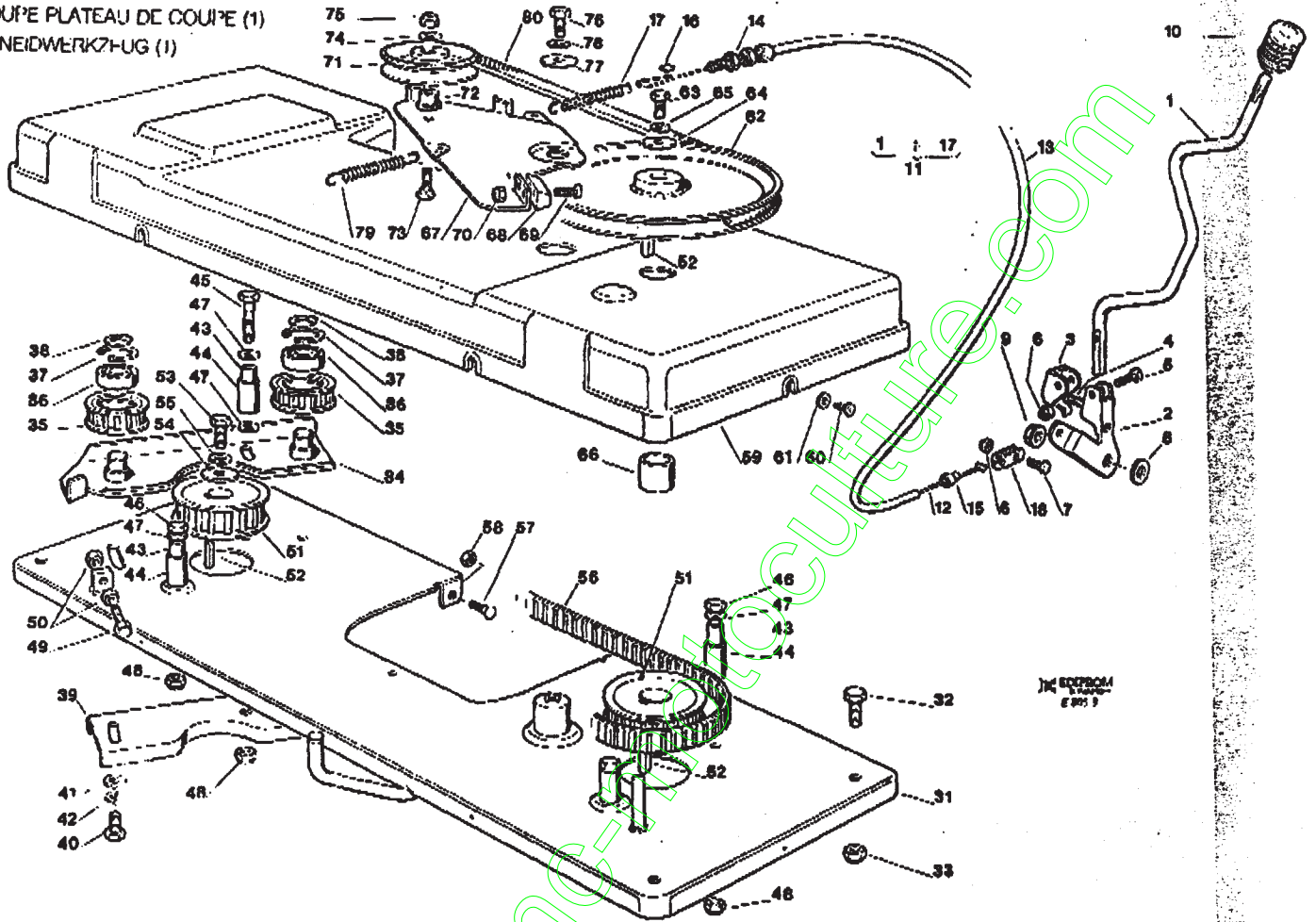
PARTI DI RICAMBIO PER IL TRATTORINO
 SPARE PARTS FOR RIDER-ON MOWERS
 PIÉCES DÉTACHÉES POUR TONDEUSE AUTO-ORTÉE
 FASZTRAKI CSERESZTÁZÉLE

TC 12,5 HP
 TC 14 HP

009

GRUPPO PIATTO DI TAGLIO (1)
 CUTTING PLATE GROUP (1)
 GROUPE PLATEAU DE COUPE (1)
 SCHNEIDWERKZUG (1)

Mod. 1992



Pos. Nr.	Codice Kodex Code	Descrizione	Description	Description	Beschreibung	Q.tà Q.ty Q.té Menge
1	25318113/0	LEVA INNESTO	ENGAGING LEVER	LEVIER D'EMBRAYAGE	EINSCHALTENHEBEL	1
2	82774209/0	STAFFA LEVA	CLAMP LEVER	BRIDE POUR LEVIER	BRIDE FÜR HEBEL	1
3	25774211/0	STAFFA MOLLA	CLAMP SPRING	BRIDE POUR RESSORT	BRIDE FÜR FEDER	1
4	25430206/0	MOLLA	SPRING	RESSORT	FEDER	1
5	12674550/0	VITE	SCREW	VIS	SCHRAUBE	1
6	12154510/0	DADO	NUT	ECROU	MUTTER	2
7	12791213/0	VITE	SCREW	VIS	SCHRAUBE	1
8	22672151/0	RONDELLA	WASHER	RONDELLE	SCHIEIF	1
9	12283201/0	DADO	NUT	ECROU	MUTTER	1
10	82394503/0	ASSIEME MANOPOLA	HANDLE ASS.Y	ENSEMBLE POIGNÉE	GRIFF	1
11	82004601/0	ASSIEME FILO	WIRE ASS.Y	ENSEMBLE FIL	KABEL	1
12	25207100/0	FILO	WIRE	FIL	KABEL	1
13	25265000/0	GUAINA	SHEATH	GAINÉ	KABEL MANTEL	1
14	25646000/0	REGISTRO	ADJUSTER	REGISTRE	ZUGREGLER	1
15	13120101/0	BUSSOLA	BUSHING	DOUILLE	BÜCHSE	1
16	15407030/0	FASCETTA	CLIP	COLLIER	KABEL BAND	1
17	25430211/0	MOLLA	SPRING	RESSORT	FEDER	1
18	22061337/0	CAVALLOTTO	CONNECTING PLATE	PLAQUE DE CONNEXION	BUGEL BOLZEN	1
31	82547003/0	ASSIEME PIATTA	PLATE ASS.Y	ENSEMBLE PLATE	PLATIF	1
32	12793102/0	VITE	SCREW	VIS	SCHRAUBE	4
33	12155000/0	DADO	NUT	ECROU	MUTTER	4
34	82785084/0	ASS. SUPPORTO	SUPPORT ASS.Y	ENS. SUPPORT	HALTERSATZ	1
35	25601559/0	PULEGGIA	PULLEY	POULIE	RIEMENSCHLEIBE	2
36	19216033/0	CUSCINETTO	BEARING	ROULEMENT	KUGELLAGER	2
37	12610800/0	SEGGIO	SEEGER	SEGER	SEGER	2

27

Pos. Nr.	Codice Kodex Code	Descrizione	Description	Description	Beschreibung	Q.tà Q.ty Q.té Menge
38	12609200/0	SFEGER	SEIGER	SEGER	SEEGER	2
39	25650037/0	RINF. PULEGGE	PULLEY STIFFENING	REINFORCEMENT DES POULIE	RIEMENSCHLEIBE VERSTAERKUNG	1
40	12793102/0	VITE	SCREW	VIS	SCHRAUBE	2
41	12521350/0	RONDELLA	WASHER	RONDELLE	SCHLEIBE	2
42	12583500/0	GROWER	GROWER	GROWER	GROWER	2
43	25160003/0	DISTANZIALE	SPACER	ENTRETOISE	DISTANZRING	4
44	25038000/0	BOCCOLA	BUSHING	DOUILLE	BUCHSE	4
45	12691700/0	VITE	SCREW	VIS	SCHRAUBE	1
46	12691200/0	VITE	SCREW	VIS	SCHRAUBE	3
47	12521350/0	RONDELLA	WASHER	RONDELLE	SCHLEIBE	5
48	12155000/0	DADO	NUT	ECROU	MUTTER	4
49	12793900/0	VITE	SCREW	VIS	SCHRAUBE	1
50	12293200/0	DADO	NUT	ECROU	MUTTER	2
51	25601560/0	PULEGGIA	PULLEY	POULIE	RIEMENSCHLEIBE	2
52	12139480/0	CHIAVETTA	KEY	CLAVETTE	KEIL	3
53	12793102/0	VITE	SCREW	VIS	SCHRAUBE	1
54	22670007/0	RONDELLA	WASHER	RONDELLE	SCHLEIBE	1
55	12583500/0	GROWER	GROWER	GROWER	GROWER	1
56	35065600/0	CINGHIA	BELT	COURROIE	KEIL RIEMEN	1
57	12815200/0	VITE	SCREW	VIS	SCHRAUBE	3
58	122927102/0	DADO	NUT	ECROU	MUTTER	3
59	25060100/0	CARTER	CASE	CARTER	BLECH	1
60	12728440/0	VITE	SCREW	VIS	SCHRAUBE	6
61	12521320/0	RONDELLA	WASHER	RONDELLE	SCHLEIBE	6
62	25601550/0	PULEGGIA	PULLEY	POULIE	RIEMENSCHLEIBE	1
63	12793102/0	VITE	SCREW	VIS	SCHRAUBE	1
64	22670007/0	RONDELLA	WASHER	RONDELLE	SCHLEIBE	1
65	12583500/0	GROWER	GROWER	GROWER	GROWER	1
66	25160002/0	DISTANZIALE	SPACER	ENTRETOISE	DISTANZRING	1
67	25318115/0	LEVA FRENO	BRAKE LEVER	LEVIER FREIN	BREMSHEBEL	1
68	25207000/0	FERODO	LINING	PASTILLE FREIN	BREMSBELAG	1
69	12771400/0	VITE	SCREW	VIS	SCHRAUBE	2
70	12154330/0	DADO	NUT	ECROU	MUTTER	2
71	25601555/0	PULEGGIA	PULLEY	POULIE	RIEMENSCHLEIBE	1
72	25160007/0	DISTANZIALE	SPACER	ENTRETOISE	DISTANZRING	1
73	12818900/0	VITE	SCREW	VIS	SCHRAUBE	1
74	12523060/0	RONDELLA	WASHER	RONDELLE	SCHLEIBE	1
75	12155000/0	DADO	NUT	ECROU	MUTTER	1
76	12793101/0	VITE	SCREW	VIS	SCHRAUBE	1
77	12523070/0	RONDELLA	WASHER	RONDELLE	SCHLEIBE	1
78	12583500/0	GROWER	GROWER	GROWER	GROWER	1
79	25430210/0	MOLLA FRENO LAMA	BLADE BRAKE SPRING	RESSORT FREIN LAME	MESSER BREMSE FEDER	1
80	35062811/0	CINGHIA	BELT	COURROIE	KEIL RIEMEN	1

contact@emc-technoculture.com

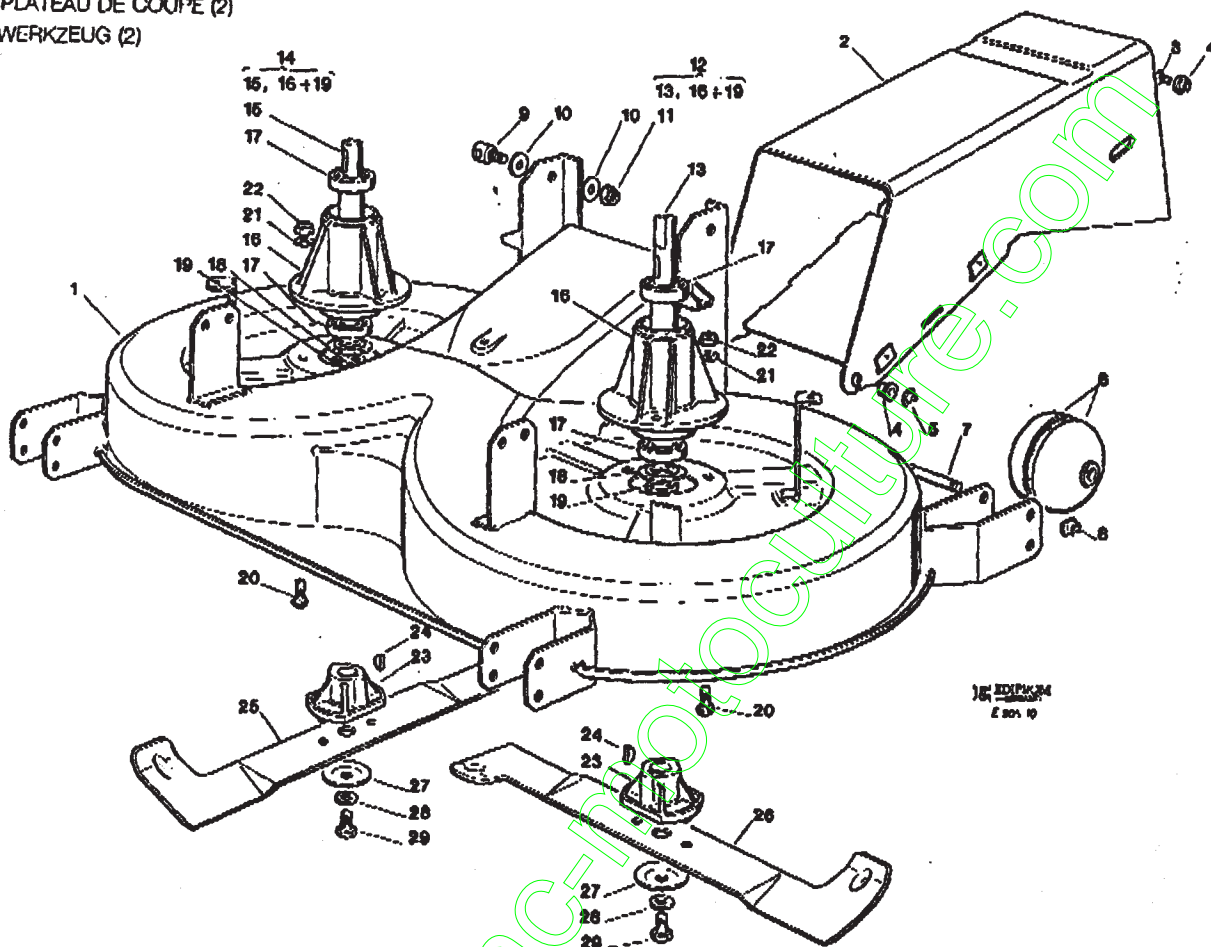
PARTI DI RICAMBIO PER IL TRATTORINO
 SPARE PARTS FOR RIDER-ON-MOWERS
 PIÈCES DETACHÉES POUR TONDEUSE AUTOPORTEE
 RASENTRAKTORERSATZTEILE

TC 12,5 HP
 TC 14 HP

010

GRUPPO PIATTO DI TAGLIO (2)
 CUTTING PLATE GROUP (2)
 GROUPE PLATEAU DE COUPE (2)
 SCHNEIDWERKZEUG (2)

Mod. 1992



Pos. Nr.	Codice Kodax Code	Descrizione	Description	Description	Beschreibung	Q.tà Q.ty Q.té Menge
1	82564001/0	ASSIEME PIATTO DI TAGLIO	CUTTING PLATE ASS.Y	ENS. PLATEAU DE COUPE	SCHNEIDWERKZEUG	1
2	82108004/0	ASSIEME CONVOGLIATORE POST.	REAR CONVEYOR ASS.Y	ENS. CONVOYEUR POST.	HINTERLEITBLECH SATZ	1
3	12793101/0	VITE	SCREW	VIS	SCHRAUBE	2
4	25038002/0	BOCCOLA	BUSHING	DOUILLE	BUCHSE	4
5	12436050/0	PIASTRINA	PLATE	PLAQUE	PLATIE	2
6	82700000/0	RUOTINO ANTISCALPO	LEVELING SMALL WHEEL	PETITE ROUE DE NIVELEMENT	EBENUNG RADCHEN	4
7	25510006/0	PERNO	PIN	PIVOT	BOLZEN	4
8	12436030/0	PIASTRINA	PLATE	PLAQUE	PLATIE	4
9	25510007/0	PERNO	PIN	PIVOT	BOLZEN	4
10	25670008/0	RONDELLA	WASHER	RONDILLE	SCHLEIBE	8
11	12156602/0	DADO	NUT	ECROU	MUTTER	4
12	82207200/0	ASS. FLANGIA ALBERO PRINCIPALE (13, 16+19)	BLADE MAIN SHAFT SUPPORT (13, 16+19)	SUPPORT ARBRE LAME PRINCIPAL (13, 16+19)	MESSERWELLE HAUPTSATZ (13, 16+19)	1
13	25020800/0	ALBERO LAMA PRINCIPALE	MAIN BLADE SHAFT	ARBRE LAME PRINCIPAL	HAUPTMESSERWELLE	1
14	82207201/0	ASS. FLANGIA ALBERO SECONDARIO (15, 16+19)	BLADE SECONDARY SHAFT SUPPORT (15, 16+19)	SUPPORT ARBRE LAME SECONDAIRE (15, 16+19)	MESSERWELLE ZWEITENSATZ (15, 16+19)	1
15	25020801/0	ALBERO LAMA SECONDARIO	SECONDARY BLADE SHAFT	ARBRE LAME SECONDAIRE	ZWEITE MESSERWELLE	1
16	25207200/0	FLANGIA ALBERO LAMA	BLADE SHAFT SUPPORT	SUPPORT ARBRE LAME	MESSERWELLE	2
17	19216032/0	CUSCINETTO	BEARING	ROULEMENT	KUGELLAGER	2
18	25160501/0	DISCO PARAPOLVERE	DUST COVER	PROTEGE-POUSSIERE	STAUBSCHUTTSCHLEIBE	2
19	12609300/0	SEEGER	SEEGFR	SEEGER	SEEGER	2
20	12818700/0	VITE	SCREW	VIS	SCHRAUBE	6
21	12521350/0	RONDELLA	WASHER	RONDILLE	SCHLEIBE	6
22	12156000/0	DADO	NUT	ECROU	MUTTER	6

Pos. Nr.	Codice Kodex Code	Descrizione	Description	Description	Beschreibung	Q.ta Q.ty Q.té Menge
23	25463200/0	MOZZO COLTELLO	BLADE HUB	MOYEU LAME	MESSERHALTER	2
24	12139100/0	LINGUETTA	KEY	CLAVETTE	KEIL	2
25	82004341/0	ASS. COLTELLO DX	RIGHT BLADE ASS.Y	ENS. LAME DROITE	RECHTER MESSERSATZ	1
26	82004340/0	ASS. COLTELLO SX	LEFT BLADE ASS.Y	ENS. LAME GAUCHE	LINKER MESSERSATZ	1
27	22160400/0	DISCO ELASTICO	ELASTIC WASHER	RONDELLE ELASTIQUE	FEDERSCHLEIBE	2
28	12523080/0	RONDELLA	WASHER	RONDELLE	SCHLEIBE	2
29	12735694/0	VITE	SCREW	VIS	SCHRAUBE	2
--	82565000/0	PIATTO DI TAGLIO, ASSEMBLATO (009, 31+80 + 010, 1+29)	CUTTING PLATE, ASSEMBLED (009, 31+80 + 010, 1+29)	PLATEAU DE COUPE, COMPLETE (009, 31+80 + 010, 1+29)	SCHNEIDWENKZEUG, KOMPLETT (009, 31+80 + 010, 1+29)	1

contact@emc-motoculture.com

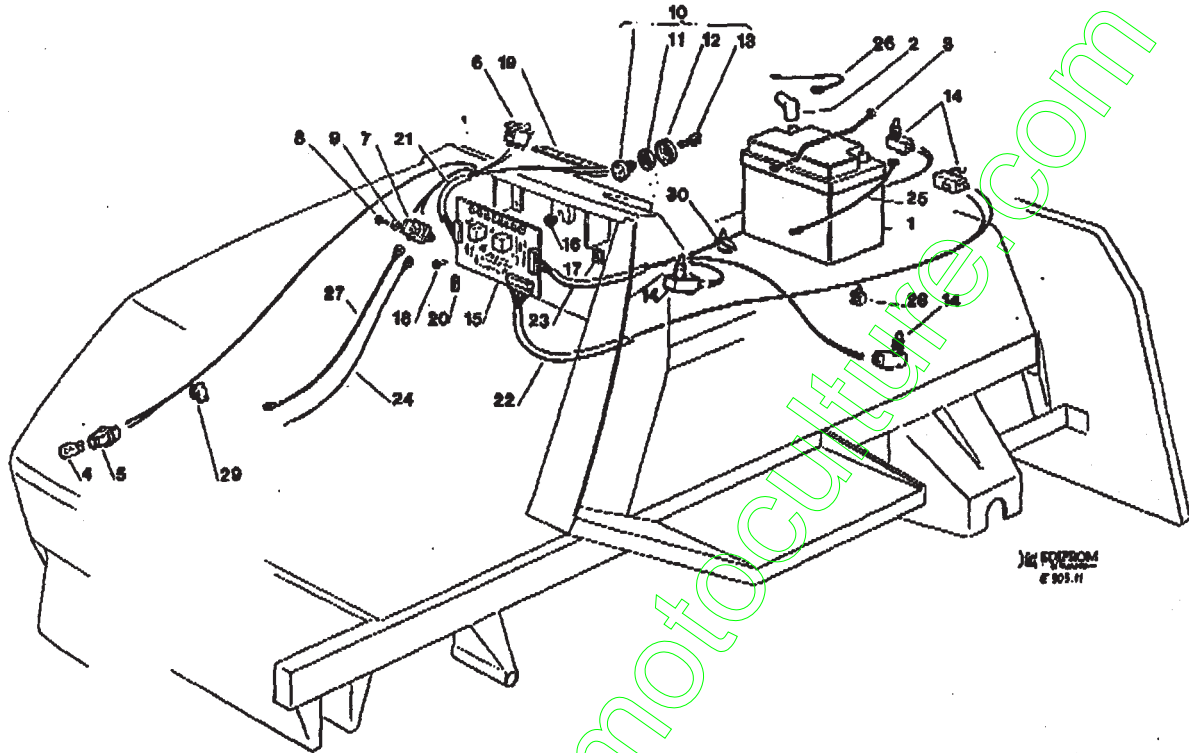
PARTI DI RICAMBIO PER IL TRATTORINO
 SPARE PARTS FOR RIDER-ON-MOWERS
 PIECES DETACHEES POUR TONDEUSE AUTOPORTEE
 RASENTRAKTORERSATZTEILE

TC 12,5 HP
 TC 14 HP

011

GRUPPO PARTI ELETTRICHE
 ELECTRICAL PARTS GROUP
 GROUPE PARTIES ELECTRIQUES
 ELETRISCHETEILE

Mod. 1992



FORUM
 E 903.H

Pos. Nr.	Codice Kodex Code	Descrizione	Description	Description	Beschreibung	Q.tà Qty Menge
1	18120000/0	BATTERIA 12V - 20Ah	BATTERY 12V - 20Ah	BATERIE 12V - 20Ah	BATTERIE 12V - 20Ah	1
2	25600001/0	PROTEZIONE	PROTECTION	PROTECTION	SCHUTZ	1
3	25430200/0	MOLLA	SPRING	RESSORT	FEDER	2
4	18459100/0	LAMPADA FARI	LAMP FOR LIGHT'S	LAMPE POUR PHARES	LAMPENFASSUN	2
5	33500030/0	PORTALAMPADE	LAMP HOLDER	DOUILLE DE LAMPE	SCHWEINWERFERLAMPE	2
6	18450060/0	INTERRUTTORE FARI	LAMP SWITCH	INTERRUPTEUR PHARES	LICHTEN SCHALTER	1
7	18736110/0	SOLENOIDE	SOLENOID	SOLENOIDE	SOLENOID	1
8	12728510/0	VITE	SCREW	VIS	SCHRAUBE	2
9	12521320/0	RONDELLA	WASHER	RONDELLE	SCHLEIBE	2
10	18450065/1	INTERRUTTORE AVVIAMENTO	STARTING SWITCH	INTERRUPTEUR DEMARRAGE	SCHALTER	1
11	18400861/0	GHIERA	SCREWED RING	EMBOUT	NUTMUTTER	1
12	18565351/0	PROTEZIONE GHIERA	SCREWED RING PROTECTION	PROTECTION EMBOUT	NUTMUTTER SCHUTZ	1
13	18210016/0	CHIAVE AVVIAMENTO	STARTING KEY	CLEF A DEMARRAGE	SCHLÜSSEL FÜR START	1
14	19410602/0	MICRO INTERRUTTORE	MICRO	MICRO	MIKRO	1
15	25722400/0	SCHEDA ELETTRONICA (6 FUNZ.) 12,5 HP	ELECTRONIC CARD (6 FUNCTIONS) 12,5 HP	CARTE ELECTRONIQUE (6 INDICATIONS) 12,5 HP	ELEKTRONISCHE KARTE (6 ANGABEN) 12,5 HP	1
15A	25722401/0	SCHEDA ELETTRONICA (8 FUNZ.) 14 HP	ELECTRONIC CARD (8 FUNCTIONS) 14 HP	CARTE ELECTRONIQUE (8 INDICATIONS) 14 HP	ELEKTRONISCHE KARTE (8 ANGABEN) 14 HP	1
16	12395000/0	MADREVITE	INTERNAL THREAD	VIS-MERE	MUTIER GEWINDE	1
17	12437501/0	PIASTRINA DOPPIA	DOUBLE PLATE	PLAQUETTE DOUBLE	DOPPEL. PLATTE	2
18	12735105/0	VITE	SCREW	VIS	SCHRAUBE	3
19	25420000/0	MEMBRANA (12,5 HP)	CHECK CONTROLL (12,5 HP)	PANNEAU DE CONTROLE (12,5 HP)	KONTROLLTAFEL (12,5 HP)	1
19A	25420001/0	MEMBRANA (14 HP)	CHECK CONTROLL (14 HP)	PANNEAU DE CONTROLE (14 HP)	KONTROLLTAFEL (14 HP)	1
20	33340033/0	FUSIBILE 6,3 A	FUSE 6.3 A	FUSIBLE 6,3 A	SICHERUNG 6,3 A	1

Pos. Nr.	Codice Kodex Code	Descrizione	Description	Description	Beschreibung	Q.tà Q.ty Q.té Menge
21	82040000/0	ASS. CABLAGGIO (12,5 HP)	CABLES ASS.Y (12.5 HP)	ENS. CABLAGES (12,5 HP)	KABELSATZ (12,5 HP)	1
21A	82040001/0	ASS. CABLAGGIO (14 HP)	CABLES ASS.Y (14 HP)	ENS. CABLAGES (14 HP)	KABELSATZ (14 HP)	1
22	82040002/0	ASS. CABLAGGIO (12,5 HP)	CABLES ASS.Y (12.5 HP)	ENS. CABLAGES (12,5 HP)	KABELSATZ (12,5 HP)	1
22A	82040003/0	ASS. CABLAGGIO (14 HP)	CABLES ASS.Y (14 HP)	ENS. CABLAGES (14 HP)	KABELSATZ (14 HP)	1
23	82040004/0	ASS. CABLAGGIO (12,5 HP)	CABLES ASS.Y (12.5 HP)	ENS. CABLAGES (12,5 HP)	KABELSATZ (12,5 HP)	1
23A	82040005/0	ASS. CABLAGGIO (14 HP)	CABLES ASS.Y (14 HP)	ENS. CABLAGES (14 HP)	KABELSATZ (14 HP)	1
24	25065003/0	CAVO RICARICA	CABLE	CABLES	KABEL	1
25	25065000/0	CAVO MASSA BATTERIA	CABLE	CABLES	KABEL	1
26	25065001/0	CAVO BATT. SOLENOIDE	CABLE	CABLES	KABEL	1
27	25065002/0	CAVO SOLENOIDE MOTORINO 1 AVV.	CABLE	CABLES	KABEL	1
28	33320504/0	FERMACAVO	FAIRLED	FIXATION CABLE	KABELBEFESTIGUNG	1
29	33320505/0	FERMACAVO	FAIRLED	FIXATION CABLE	KABELBEFESTIGUNG	1
30	33320506/0	FERMACAVO	FAIRLED	FIXATION CABLE	KABELBEFESTIGUNG	2

contact@emc-motoculture.com

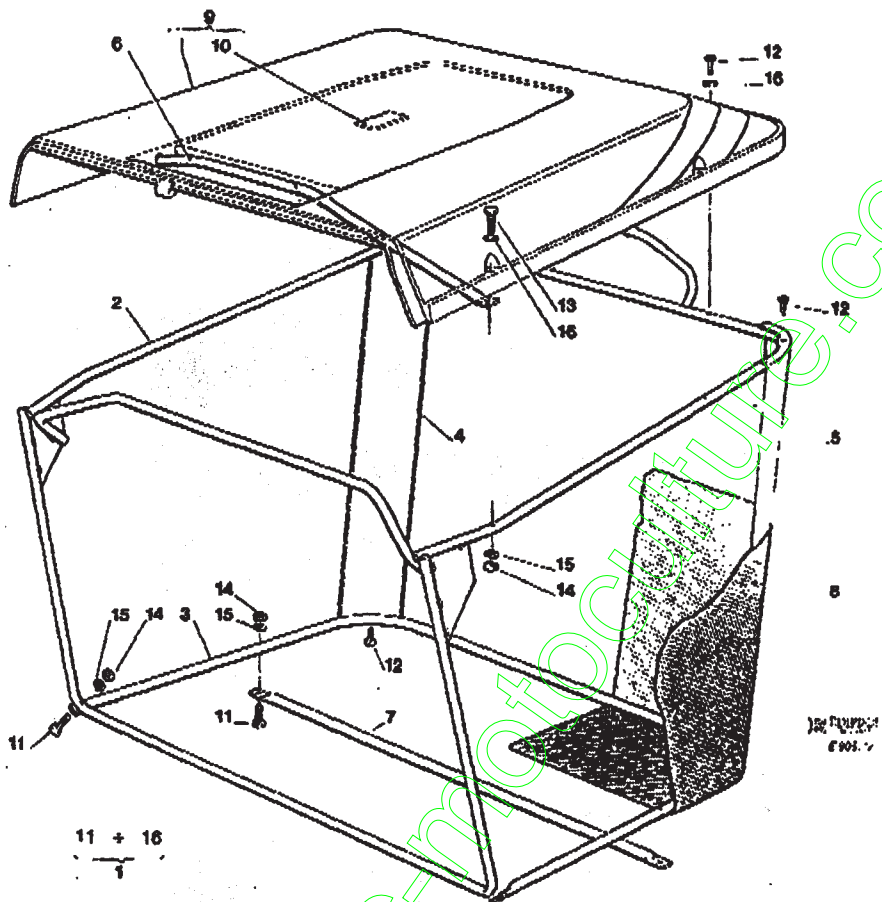
PARTI DI RICAMBIO PER IL TRATTORINO
 SPARE PARTS FOR RIDER-ON-MOWERS
 PIÈCES DÉTACHÉES POUR TONDEUSE AUTOPOURTEE
 RASENTRAKTORERSATZTEILE

TC 12 HP
 TC 14 HP

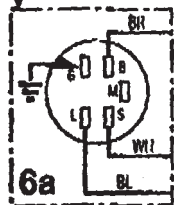
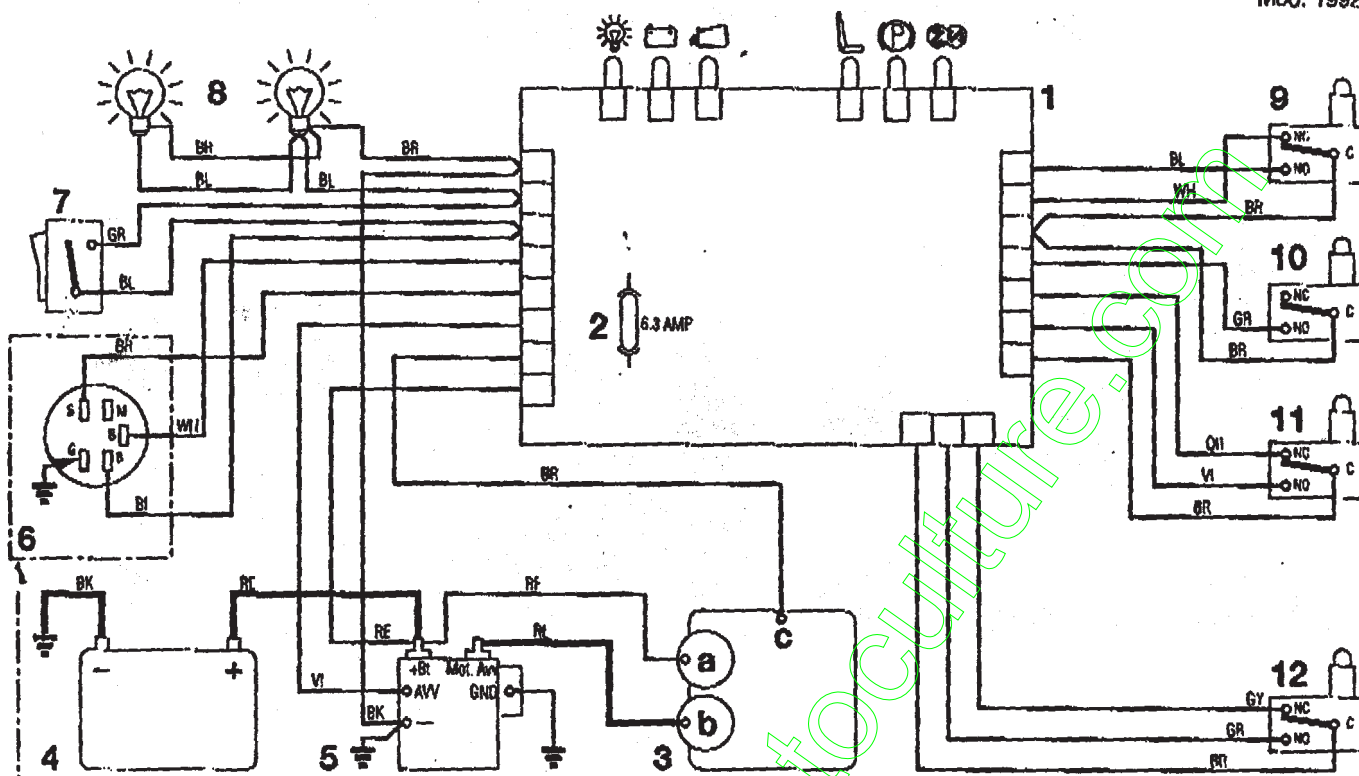
012

GRUPPO SACCO
 GRASSCATCHER GROUP
 GROUPE SAC
 GRASFANGEINRICHTUNG

Mod. 1992



Pos. Nr.	Codice Kodex Code	Descrizione	Description	Description	Beschreibung
1	82180000/0	DOTAZ. SACCO	GRASSCATCHER ASS.Y	ENSEMBLE BAC	GRASFANGEINRICHTUNG
2	82800001/0	ASS. TELAIO SUP.	UPPER FRAME ASS.Y	ENS. CHASSIS SUPERIEUR	OBERRAHMEN SATZ
3	82800002/0	ASS. TELAIO INF.	LOWER FRAME ASS.Y	ENS. CHASSIS INFRIEUR	UNTERRAHMEN SATZ
4	25032001/0	ANGOLARE DX	RIGHT ANGULAR SUPPORT	SUPPORT ANGULAIRE DROIT	RECHTER HALTER
5	25032002/0	ANGOLARE SX	LEFT ANGULAR SUPPORT	SUPPORT ANGULAIRE GAUCHE	LINKER HALTER
6	82394001/0	MANIGLIA ANT.	FRONT HANDLE	POIGNEE ANTERIEURE	VORDERGRIFT
7	82650038/0	RINFORZO INF.	LOWER STIFFENING	RENFORCEMENT SUPER.	OBERE VERSTÄRFKUNG
8	82106000/0	SACCO	GRASSCATCHER	SAC	SACK
9	82110158/0	ASS. COPERTURA SACCO	GRASSCATCHER PLASTIC	COVER ENS. COUVERTURE	BACK SACKABDECKUNG
10	25547016/0	PIASTRINA	PLATE	PLAQUE	PLATTE
11	12792099/0	VITE	SCREW	VIS	SCHRAUBE
12	12729600/0	VITE	SCREW	VIS	SCHRAUBE
13	12674700/0	VITE	SCREW	VIS	SCHRAUBE
14	12292100/0	DADO	NUT	ECROU	MUTTER
15	12682100/0	GROWER	GROWER	GROWER	GROWER
16	12521330/0	RONDELLA	WASHER	RONDELLE	SCHLEIBF



Per Trattori Prima Serie (1992) - dalla Matricola n. 0010001/992 alla Matricola n. 0010700/992
 For the First Lot of produced Lawn-Tractors (1992) - from Serial n. 0010001/992 to Serial n. 0010700/992
 Pour le premier lot de Tondeuses Autoportees produit (1992) - a partir du no. de Serie 0010001/992 jusqu'a le no. de Serie 0010700/992
 Für die erste herstellten Rasentraktoren (1992) - von Matrikelnr. 0010001/992 bis Matrikelnr. 0010700/992

1	SCHEMA	ELECTRONIC CARD	CARTE ELECTRONIQUE	ELECTRONISCHE KARTE
2	FUSIBILE 6,3 A	FUSE 6,3 A	FUSIBLE 6,3 A	SICHERUNG 6,3 A
3	MOTORE	ENGINE	MOTEUR	MOTOR
3a	Generatore	Generator	Generateur	Generator
3b	Motorino avviamento	Starter	Demarreur	Anlasser
3c	Stop motore	Engine stop	Celage du moteur	Motor abstollung
4	BATTERIA	BATTERY	BATTERIE	BATTERIE
5	RELE AVVIAMENTO	STARTER RELAY	RELAIS DE DEMARRAGE	ANLASSER RELAIS
6	INTERRUTTORE A CHIAVE	ELECTROLOCK	INTERRUPTEUR D'ALLUMAGE	SCHLUSSELCHALTER
7	INTERRUTTORE FARI	HEADLIGHT SWITCH	INTERRUPTEUR PHARES	LICHTSCHALTER
8	FARI	HEADLIGHT	PHARES	LICHT
9	MICROINTERRUTTORE LAME	BLADES MICRO SWITCH	MICRO INTERRUPTEUR LAMES	MESSER MIKROSCHALTER
10	MICROINTERRUTTORE FRENO	BRAKE MICRO SWITCH	MICRO INTERRUPTEUR FREIN	BREMSE MIKROSCHALTER
11	MICROINTERRUTTORE SEDILE	SEAT MICRO SWITCH	MICRO INTERRUPTEUR SIEGE	SITZ MIKROSCHALTER
12	MICROINTERRUTTORE SACCO	GRASSCATCHER MICRO SWITCH	MICRO INTERRUPTEUR BAC	GRASFANGEINRICHTUNG MIKROSCHALTER

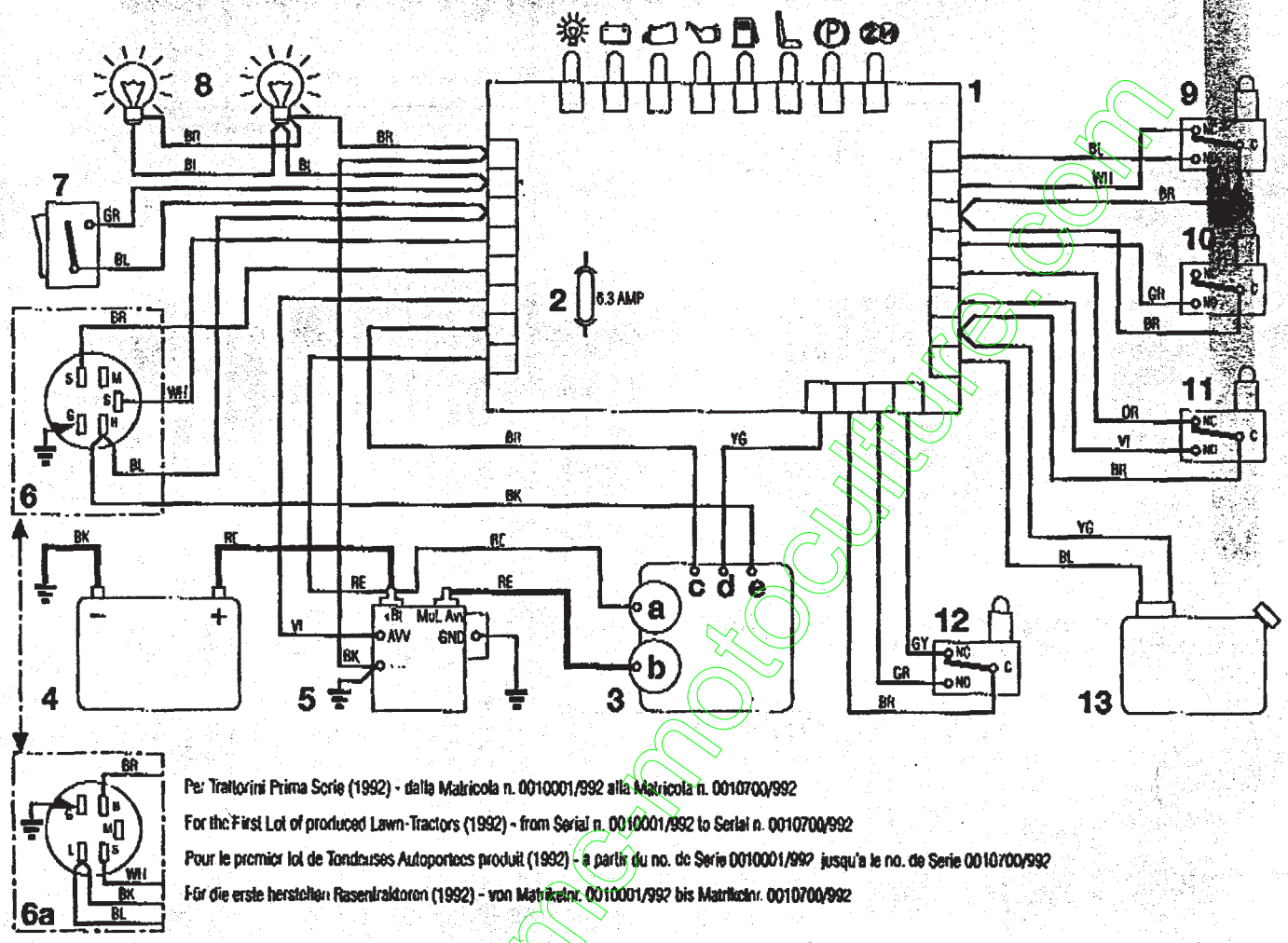
C	NERO	BLACK	NOIR	SCHWARZ
L	BLU	BLUE	BLEU	BLAU
R	MARRONE	BROWN	BUN	BRAUN
V	VERDE	GREEN	VERT	GRÜN
Y	GRIGIO	GREY	GRIS	GRAU
OR	ARANCIONE	ORANGE	ORANGE	ORANGE
R	ROSSO	RED	ROUGE	ROT
E	VIOLA	VIOLET	VIOLET	ROTT
I	GIALLO/VERDE	YELLOW/GREEN	JAUNE/VERT	GELB/GRÜN
W	BIANCO	WHITE	BLANC	WEISS

PARTI DI RICAMBIO PER IL TRATTORINO
 SPARE PARTS FOR RIDER-ON-MOWERS
 PIÈCES DÉTACHÉES POUR TONDEUSE AUTOPORTÉE
 RASENTRAKTORERSATZTEILE

TC 14 HP

014

Mod. 1992



Per i Trattorini Prima Serie (1992) - dalla Matricola n. 0010001/992 alla Matricola n. 0010700/992
 For the First Lot of produced Lawn-Tractors (1992) - from Serial n. 0010001/992 to Serial n. 0010700/992
 Pour le premier lot de Tondeuses Autoportées produites (1992) - à partir du no. de Série 0010001/992 jusqu'à le no. de Série 0010700/992
 Für die ersten hergestellten Rasentraktoren (1992) - von Matr.Nr. 0010001/992 bis Matr.Nr. 0010700/992

1	SCHEDA	ELECTRONIC CARD	CARTE ELECTRONIQUE	ELECTRONISCHE KARTE
2	FUSIBILE 6,3 A	FUSE 6,3 A	FUSIBLE 6,3 A	SICHERUNG 6,3 A
3	MOTORE	ENGINE	MOTEUR	MOTOR
3a	Generatore	Generator	Genérateur	Generator
3b	Motorino avviamento	Starter	Demarreur	Anlasser
3c	Stop motore	Engine stop	Celage du moteur	Motor abstellung
3d	Olio	Oil	Hulle	Öl
3e	Carburatore	Carburetor	Carbureteur	Vergaser
4	BATTERIA	BATTERY	BATTERIE	BATTERIE
5	RELE AVVIAMENTO	STARTER RELAY	RELAIS DE DEMARRAGE	ANLASSER RELAIS
6	INTERRUTTORE A CHIAVE	ELECTROLOCK	INTERRUPTEUR D'ALLUMAGE	SCHLÜSSELSCHALTER
7	INTERRUTTORE FARI	HEADLIGHT SWITCH	INTERRUPTEUR PHARES	LICHTSCHALTER
8	FARI	HEADLIGHT	PHARES	LICHT
9	MICROINTERRUTTORE LAME	BLADES MICRO SWITCH	MICRO INTERRUPTEUR LAMES	MESSER MIKROSCHALTER
10	MICROINTERRUTTORE FRENO	BRAKE MICRO SWITCH	MICRO INTERRUPTEUR FREIN	BREMSE MIKROSCHALTER
11	MICROINTERRUTTORE SEDILE	SEAT MICRO SWITCH	MICRO INTERRUPTEUR SIEGE	SITZ MIKROSCHALTER
12	MICROINTERRUTTORE SACCO	GRASSCATCHER MICRO SWITCH	MICRO INTERRUPTEUR BAC	GRASFANGEINRICHTUNG MIKROSCHALTER
13	SERBATOIO	TANK	RESERVOIR	TANK

COLORI CAVI		CABLE COLOURS		COULEUR CABLES		KABEL FARBEN	
BK	NERO	BLACK	NOIR	SCHWARZ			
BL	BLU	BLUE	BLEU	BLAU			
BR	MARRONE	BROWN	BUN	BRAUN			
GR	VERDE	GREEN	VERT	GRÜN			
GY	GRIGIO	GREY	GRIS	GRAU			
OR	ARANCIONE	ORANGE	ORANGE	ORANGE			
RE	ROSSO	RED	ROUGE	ROT			
VI	VIOLA	VIOLET	VIOLET	VIOLETT			
YG	GIALLO/VERDE	YELLOW/GREEN	JAUNE/VERT	GELB/GRÜN			
WH	BIANCO	WHITE	BLANC	WEISS			