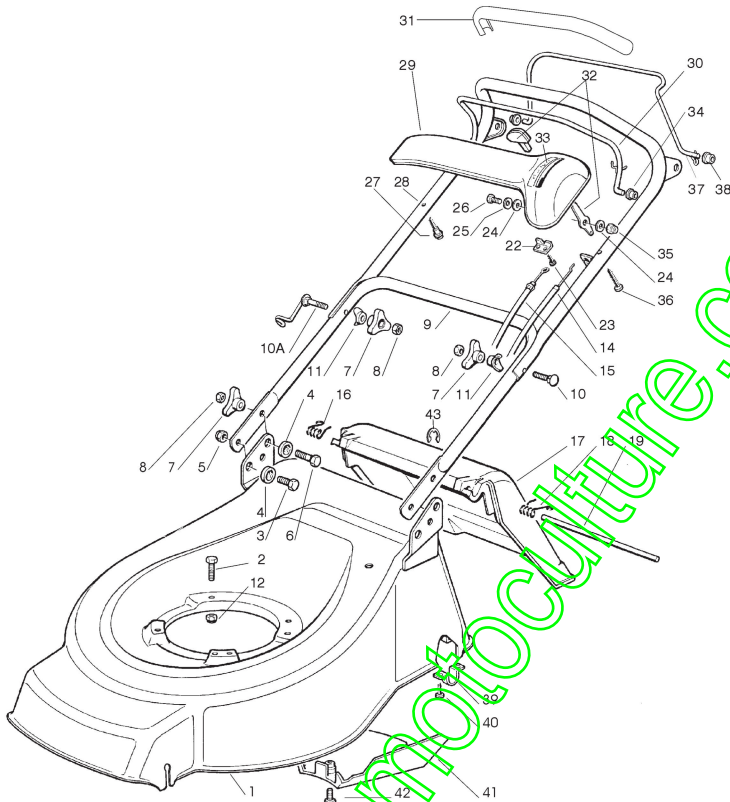
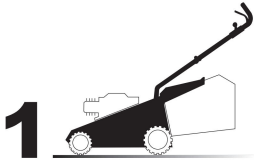


TDL 484 TR/TR-E - TDL 534 TR/TR-E

01T.026



- H 350 _____
- K 350 _____
- K 390 _____
- C 350 _____
- C 390 _____
- NG 410 / 410 S _____
- NG 460 _____
- NG 414 _____
- NG 464 _____
- NG 464 TR _____
- NG 464 TR-E _____
- NG 504 _____
- NG 504 TR _____
- NG 504 TR-E _____
- R 430 / 430 S _____
- R 480 _____
- R 430 TR _____
- R 434 _____
- R 484 _____
- R 534 _____
- R 484 TR / TR-E _____
- R 534 TR / TR-E _____
- RL 430 / 430 S _____
- RL 480 _____
- RL 430 TR _____
- RL 434 _____
- RL 484 _____
- RL 534 _____
- RL 484 TR _____
- RL 484 TR-E _____
- RL 534 TR _____
- RL 534 TR-E _____
- TD 430 / 430 S _____
- TD 480 _____
- TD 430 TR _____
- TD 434 _____
- TD 484 _____
- TD 534 _____
- TD 484 TR _____
- TD 484 TR-E _____
- TD 534 TR _____
- TD 534 TR-E _____
- TDL 430 / 430 S _____
- TDL 480 _____
- TDL 430 TR _____
- TDL 434 _____
- TDL 484 _____
- TDL 534 _____
- TDL 484 TR _____
- TDL 484 TR-E _____
- TDL 534 TR _____
- TDL 534 TR-E _____
- CA 430 _____
- CA 480 _____
- CA 434 _____
- CA 484 _____
- CA 534 _____
- CA 430 TR _____
- CA 434 TR _____
- CA 484 TR / TR-E _____
- CA 534 TR / TR-E _____
- CAL 430 _____
- CAL 480 _____
- CAL 434 _____
- CAL 484 _____
- CAL 534 _____
- CAL 430 TR _____
- CAL 434 TR _____
- CAL 484 TR / TR-E _____
- CAL 534 TR / TR-E _____
- T 430 / 430 S _____
- T 480 _____
- T 434 _____
- T 484 _____
- T 484 TR _____
- T 484 TR-E _____
- PAN 504 _____
- PAN 504 TR _____
- PAN 504 TR-E _____
- PAN 504 TR-3S _____
- PAN 504 TR-3S _____
- NP 534 _____
- NP 534 TR _____
- NP 534 TR-E _____
- NP 534 TR-3S _____
- NP 534 TR-E 3S _____
- S 474 L _____

01T.026

Pos	Code	Q.ty	Descrizione	Description	Description	Beschreibung	
1	81001648/ 0	1	CHASSIS ROSSO	DECK RED	CHÂSSIS ROUGE	GEHÄUSE ROTES	TDL 484 TR
-	81001649/ 0	1	CHASSIS GIALLO	DECK YELLOW	CHÂSSIS JAUNE	GEHÄUSE GELBES	TDL 484 TR
-	81001650/ 0	1	CHASSIS VERDE	DECK GREEN	CHÂSSIS VERT	GEHÄUSE GRÜNES	TDL 484 TR
-	81001666/ 0	1	CHASSIS ROSSO	DECK RED	CHÂSSIS ROUGE	GEHÄUSE ROTES	TDL 484 TR-E
-	81001667/ 0	1	CHASSIS GIALLO	DECK YELLOW	CHÂSSIS JAUNE	GEHÄUSE GELBES	TDL 484 TR-E
-	81001668/ 0	1	CHASSIS VERDE	DECK GREEN	CHÂSSIS VERT	GEHÄUSE GRÜNES	TDL 484 TR-E
-	81001747/ 1	1	CHASSIS ROSSO	DECK RED	CHÂSSIS ROUGE	GEHÄUSE ROTES	TDL 534 TR
-	81001748/ 1	1	CHASSIS GIALLO	DECK YELLOW	CHÂSSIS JAUNE	GEHÄUSE GELBES	TDL 534 TR
-	81001749/ 1	1	CHASSIS VERDE	DECK GREEN	CHÂSSIS VERT	GEHÄUSE GRÜNES	TDL 534 TR
-	81001750/ 1	1	CHASSIS ROSSO	DECK RED	CHÂSSIS ROUGE	GEHÄUSE ROTES	TDL 534 TR-E
-	81001751/ 1	1	CHASSIS GIALLO	DECK YELLOW	CHÂSSIS JAUNE	GEHÄUSE GELBES	TDL 534 TR-E
-	81001752/ 1	1	CHASSIS VERDE	DECK GREEN	CHÂSSIS VERT	GEHÄUSE GRÜNES	TDL 534 TR-E
2	12691800/ 0	0/ 1	VITE (M8x60)	SCREW (M8x60)	VIS (M8x60)	SCHRAUBE (M8x60)	
-	12793700/ 0	3/ 2	VITE (M8x30)	SCREW (M8x30)	VIS (M8x30)	SCHRAUBE (M8x30)	
3	12792610/ 0	2	VITE	SCREW	VIS	SCHRAUBE	
4	22041955/ 0	4	BUSSOLA	BUSH	DOUILLE	BUCHSE	
5	12155000/ 0	2	DADO	NUT	ECROU	MUTTER	
6	12793700/ 0	2	VITE (M8x30)	SCREW (M8x30)	VIS (M8x30)	SCHRAUBE (M8x30)	
7	22399900/ 0	4	MANOPOLINA	KNOB	POIGNEE	GRIFF	
8	12293200/ 0	4	DADO	NUT	ECROU	MUTTER	
9	81006512/ 0	1	MANICO, PARTE INFERIORE	HANDLE, LOWER PART	MANCHERON, PARTIE INFÉRIEURE	HOLM, UNTERTEIL	
10	12819201/ 0	1	VITE	SCREW	VIS	SCHRAUBE	
10A	81003801/ 0	1	MOLLA GUIDA	SPRING	RESSORT	FEDER	
11	22680006/ 1	2	RONDELLA	WASHER	RONDELLE	SCHIBE	
12	12155000/ 0	0/ 1	DADO	NUT	ECROU	MUTTER	
-	12293201/ 0	3/ 2	DADO	NUT	ECROU	MUTTER	

1

2

3

4

5

6

TDL 484 TR/TR-E - TDL 534 TR/TR-E

01T.026

14	81007160/ 0	1	CAVO ACCELERATORE	CABLE, TROTTLE	CABLE, ACCELERATEUR	KABEL, BESCHLEUNIGER		H 350
15	81000641/ 0	1	CAVO FRENO MOTORE	CABLE, THREAD MOTOR BRAKE	CABLE FREIN MOTEUR	KABEL, MOTORBREMSE	(HONDA GV 135/ 160) TDL 484	K 350
-	81000640/ 0	1	CAVO FRENO MOTORE	CABLE, THREAD MOTOR BRAKE	CABLE FREIN MOTEUR	KABEL, MOTORBREMSE	(HONDA GV 135/ 160) TDL 534	K 390
-	81000638/ 0	1	CAVO FRENO MOTORE	CABLE, THREAD MOTOR BRAKE	CABLE FREIN MOTEUR	KABEL, MOTORBREMSE	(HONDA GV 100) TDL 484	C 350
-	81000631/ 0	1	CAVO FRENO MOTORE	CABLE, THREAD MOTOR BRAKE	CABLE FREIN MOTEUR	KABEL, MOTORBREMSE	(QUANTUM XIMES 40) TDL 484	C 390
-	81000642/ 0	1	CAVO FRENO MOTORE	CABLE, THREAD MOTOR BRAKE	CABLE FREIN MOTEUR	KABEL, MOTORBREMSE	(QUANTUM XIMES 40) TDL 534	NG 410 / 410 S
-	81000625/ 0	1	CAVO FRENO MOTORE	CABLE, THREAD MOTOR BRAKE	CABLE FREIN MOTEUR	KABEL, MOTORBREMSE	(SPRINT 375/ QUATTRO) TDL 484	NG 460
-	81000643/ 0	1	CAVO FRENO MOTORE	CABLE, THREAD MOTOR BRAKE	CABLE FREIN MOTEUR	KABEL, MOTORBREMSE	(SPRINT 375/ QUATTRO) TDL 534	NG 414
-	81000629/ 1	1	CAVO FRENO MOTORE	CABLE, THREAD MOTOR BRAKE	CABLE FREIN MOTEUR	KABEL, MOTORBREMSE	(TECUMSEH) TDL 484	NG 464
-	81000644/ 0	1	CAVO FRENO MOTORE	CABLE, THREAD MOTOR BRAKE	CABLE FREIN MOTEUR	KABEL, MOTORBREMSE	(TECUMSEH) TDL 534	NG 464 TR
16	22450410/ 1	1	MOLLA DX	RIGHT SPRING	RESSORT DROITE	RECHTE FEDER		NG 464 TR-E
17	22600046/ 1	1	PARASASSI	STONE-GUARD	PARE-PIERRES	PRALLBLECH		NG 504
18	22450420/ 1	1	MOLLA SX	LEFT SPRING	RESSORT GAUCHE	LINKE FEDER		NG 504 TR
19	22517906/ 1	1	PERNO	PIN	PIVOT	BOLZEN		NG 504 TR-E
22	22981467/ 0	1	PIASTRINA	PLATE	PLAQUETTE	PLATTE		R 430 / 430 S
23	12735105/ 0	2	VITE	SCREW	VIS	SCHRAUBE		R 480
24	12523040/ 0	2	RONDELLA	WASHER	RONDELLE	SCHIBE		R 430 TR
25	12530060/ 0	1	RONDELLA ELASTICA	ELASTIC WASHER	RONDELLE ELASTIQUE	ELASTISCHE SCHEIBE		R 434
26	12791500/ 0	1	VITE	SCREW	VIS	SCHRAUBE		R 484
27	22943006/ 0	1	VITE	SCREW	VIS	SCHRAUBE		R 534
28	81007024/ 0	1	MANICO, PARTE SUPERIORE	HANDLE, UPPER PART	MANCHERON, PARTIE SUPERIEURE	HOLM, OBERTEIL		R 484 TR / TR-E
29	22120158/ 0	1	CRUSCOTTO NERO	DASH BOARD BLACK	CONSOLE NOIRE	KONSOLE SCHWARZE		R 534 TR / TR-E
-	22120154/ 0	1	CRUSCOTTO ROSSO	DASH BOARD RED	CONSOLE ROUGE	KONSOLE ROTE		RL 430 / 430 S
-	22120152/ 0	1	CRUSCOTTO GIALLO	DASH BOARD YELLOW	CONSOLE JAUNE	KONSOLE GELBE		RL 480
30	81003291/ 2	1	LEVA FRENO MOTORE	LEVER, MOTOR BRAKE	LEVIER FREIN MOTEUR	HEBEL, MOTORBREMSE		RL 430 TR
31	22291050/ 0	1	IMPUGNATURA MANICO NER/	HANDGRIPBLACK	POIGNEE NOIRE	HANDGRIFF SCHWARZER		RL 434
-	22291051/ 0	1	IMPUGNATURA MANICO ROS/ A	HANDGRIPRED	POIGNEE ROUGE	HANDGRIFF RÖTER		RL 484
-	22291052/ 0	1	IMPUGNATURA MANICO GIAL/ A	HANDGRIPYELLOW	POIGNEE JAUNE	HANDGRIFF GELBER		RL 534
32	81007280/ 2	1	LEVA, ACCELERATORE	LEVER, THROTTLE	LEVIER, ACCELERATEUR	HEBEL, BESCHLEUNIGER		RL 484 TR
33	14356744/ 0	1	ETICHETTA	LABEL	ETIQUETTE	ETKETTE (B&S)		RL 484 TR-E
33	14356743/ 0	1	ETICHETTA	LABEL	ETIQUETTE	ETKETTE (TECUMSEH - HONDA)		RL 534 TR
34	22041968/ 0	1	BUSSOLA	BUSH	DOUILLE	BÜCHSE		RL 534 TR-E
35	12154510/ 0	1	DADO	NUT	ECROU	MÜTTER		TD 430 / 430 S
36	12728460/ 0	1	VITE	SCREW	VIS	SCHRAUBE		TD 480
37	81003288/ 1	1	LEVA TRAZIONE	LEVER, DRIVING	LEVIER TRACTION	HEBEL, ANTRIEB		TD 430 TR
38	22041965/ 0	2	BUSSOLA	BUSH	DOUILLE	BÜCHSE		TD 434
39	22545152/ 0	2	PIASTRINA	PLATE	PLAQUETTE	PLATTE		TD 484
40	12731350/ 0	4	VITE	SCREW	VIS	SCHRAUBE		TD 534
41	22060192/ 0	1	CARTER CINGHIA	PROTECTION, BELT	PROTECTION COURROIE	SCHUTZ, RIEMEN TDL 484		TD 484 TR
-	22060193/ 0	1	CARTER CINGHIA	PROTECTION, BELT	PROTECTION COURROIE	SCHUTZ, RIEMEN TDL 484 TR		TD 484 TR-E
-	22060193/ 0	1	CARTER CINGHIA	PROTECTION, BELT	PROTECTION COURROIE	SCHUTZ, RIEMEN TDL 484 TR-E		TD 534 TR
42	12727791/ 0	1	VITE	SCREW	VIS	SCHRAUBE		TD 534 TR-E
43	12000930/ 0	1	ANELLO ELASTICO	SNAP RING	ANNEAU RESSORT	SPRENGRING		TDL 430 / 430 S
-	81008614/ 1		DOTAZIONE VITERIA	OUTFIT, SCREWS	DOTATION VISSERIE	SATZ, SCHRAUBEN		TDL 480
-	81008609/ 0		DOTAZ. VITERIA CRUSCOTTO	OUTFIT, DASH-BOARD SCREWS	DOTATION VISSERIE CONSOLE	SATZ, KONSOLE SCHRAUBEN		TDL 430 TR
								TDL 434
								TDL 484
								TDL 534
								TDL 484 TR
								TDL 484 TR-E
								TDL 534 TR
								TDL 534 TR-E
								CA 430
								CA 480
								CA 434
								CA 484
								CA 534
								CA 430 TR
								CA 434 TR
								CA 484 TR / TR-E
								CA 534 TR / TR-E
								CAL 430
								CAL 480
								CAL 434
								CAL 484
								CAL 534
								CAL 430 TR
								CAL 434 TR
								CAL 484 TR / TR-E
								CAL 534 TR / TR-E
								T 430 / 430 S
								T 480
								T 434
								T 484
								T 484 TR
								T 484 TR-E
								PAN 504
								PAN 504 TR
								PAN 504 TR-E
								PAN 504 TR-E 3S
								PAN 504 TR 3S
								NP 534
								NP 534 TR
								NP 534 TR-E
								NP 534 TR 3S
								NP 534 TR-E 3S
								S 474 L

www.emc-motocycle.com

1

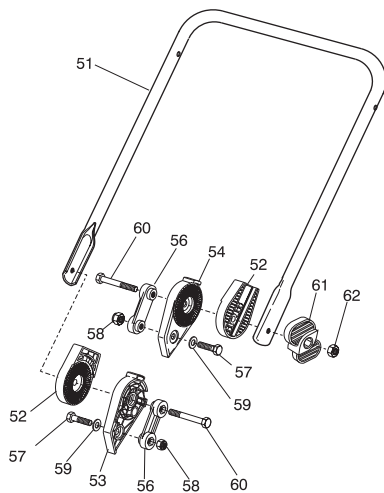
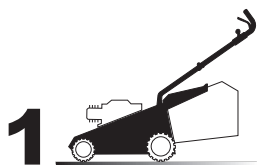
2

3

4

5

6



VARIANTE REGOLAZIONE MANICO - HANDLE ADJUSTMENT VARIANT - VARIANTE REGLAGE POIGNEE - GRIFFENSTEELVARIANTE

Pos	Code	Q.ty	Descrizione	Description	Description	Beschreibung
51	81006510/ 0	1	MANICO, PARTE INFERIORE	HANDLE, LOWER PART	MANCHERON, PARTIE INFERIEURE	HOLM, UNTERTEIL
52	22785081/ 0	2	SUPPORTO ESTERNO	SUPPORT, EXTERNAL	SUPPORT EXTERNE	HALTER, AUßERE
53	22785082/ 0	1	SUPPORTO INTERNO DX	SUPPORT, RIGHT INTERNAL	SUPPORT INTERNE DROIT	HALTER, INNERE RECHTS
54	22785083/ 1	1	SUPPORTO INTERNO SX	SUPPORT, LEFT INTERNAL	SUPPORT INTERNE GAUCHE	HALTER, INNERE LINKS
56	22551575/ 0	2	PIASTRINA INTERNA	PLATE, INSIDE	PLAQUETTE INTERNE	PLATTE, INNERE
57	12793701/ 0	2	VITE	SCREW	VIS	SCHRAUBE
58	12155000/ 0	2	DADO	NUT	ECROU	MUTTER
59	12521350/ 0	2	RONDELLA	WASHER	RONDELLE	SCHIBE
60	12691810/ 0	2	VITE	SCREW	VIS	SCHRAUBE
61	22399803/ 0	2	MANOPOLINA	KNOB	POIGNEE	GRIFF
62	12293202/ 0	2	DADO	NUT	ECROU	MUTTER

-	81008623/ 0	1	DOTAZIONE VITERIA	OUTFIT, SCREWS	DOTATION VISSERIE	SATZ, SCHRAUBEN
---	-------------	---	-------------------	----------------	-------------------	-----------------

- H 350 _____
- K 350 _____
- K 390 _____
- C 350 _____
- C 390 _____
- NG 410 / 410 S _____
- NG 460 _____
- NG 414 _____
- NG 464 _____
- NG 464 TR _____
- NG 464 TR-E _____
- NG 504 _____
- NG 504 TR _____
- NG 504 TR-E _____
- R 430 / 430 S _____
- R 480 _____
- R 430 TR _____
- R 434 _____
- R 484 _____
- R 534 _____
- R 484 TR / TR-E _____
- R 534 TR / TR-E _____
- RL 430 / 430 S _____
- RL 480 _____
- RL 430 TR _____
- RL 434 _____
- RL 484 _____
- RL 534 _____
- RL 484 TR _____
- RL 484 TR-E _____
- RL 534 TR _____
- RL 534 TR-E _____
- TD 430 / 430 S _____
- TD 480 _____
- TD 430 TR _____
- TD 434 _____
- TD 484 _____
- TD 534 _____
- TD 484 TR _____
- TD 484 TR-E _____
- TD 534 TR _____
- TD 534 TR-E _____
- TDL 430 / 430 S _____
- TDL 480 _____
- TDL 430 TR _____
- TDL 434 _____
- TDL 484 _____
- TDL 534 _____
- TDL 484 TR _____
- TDL 484 TR-E _____
- TDL 534 TR _____
- TDL 534 TR-E _____
- CA 430 _____
- CA 480 _____
- CA 434 _____
- CA 484 _____
- CA 534 _____
- CA 430 TR _____
- CA 434 TR _____
- CA 484 TR / TR-E _____
- CA 534 TR / TR-E _____
- CAL 430 _____
- CAL 480 _____
- CAL 434 _____
- CAL 484 _____
- CAL 534 _____
- CAL 430 TR _____
- CAL 434 TR _____
- CAL 484 TR / TR-E _____
- CAL 534 TR / TR-E _____
- T 430 / 430 S _____
- T 480 _____
- T 434 _____
- T 484 _____
- T 484 TR _____
- T 484 TR-E _____
- PAN 504 _____
- PAN 504 TR _____
- PAN 504 TR-E _____
- PAN 504 TR-E 3S _____
- PAN 504 TR 3S _____
- NP 534 _____
- NP 534 TR _____
- NP 534 TR-E _____
- NP 534 TR 3S _____
- NP 534 TR-E 3S _____
- S 474 L _____

www.emc-technoculture.com

01T.004

01T.004

1

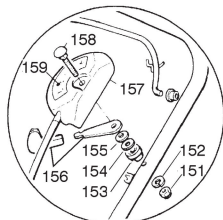
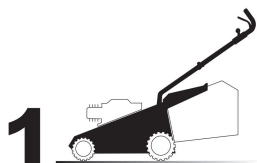
2

3

4

5

6



VARIANTE ACCELERATORE - THROTTLE VARIANTS - VARIANTES COMMANDE D'ACCELERATION - ÄNDERUNGEN AUF GASHEBEL

Pos	Code	Q.ty	Descrizione	Description	Description	Beschreibung
151	12291000/ 0	1	DADO	NUT	ECROU	MUTTER
152	12581500/ 0	1	GROWER	GROWER	GROWER	FEDERRING
153	22171005/ 0	1	DISTANZIALE	SPACER	ENTRETOISE	DISTANZRING
154	12521360/ 0	1	RONDELLA	WASHER	RONDELLE	SCHLEIBE
155	12508100/ 0	1	RONDELLA ELASTICA	SPRING WASHER	RONDELLE ELASTIQUE	ELASTISCHE SCHEIBE
156	81007279/ 1	1	LEVA, ACCELERATORE	LEVER, THROTTLE	LEVIER, ACCELERATEUR	HEBEL, BESCHLEUNIGER
157	81007080/ 0	1	CAVO ACCELERATORE	CABLE, TROTTLE	CABLE, ACCELERATEUR	KABE, BESCHLEUNIGER
158	12815000/ 0	1	VITE	SCREW	VIS	SCHRAUBE
159	14356703/ 0	1	ETICHETTA	LABEL	ETIQUETTE	ETIKETTE (B&S)
-	14356702/ 0	1	ETICHETTA	LABEL	ETIQUETTE	ETIKETTE (TECUMSEH-HONDA)

- H 350
- K 350
- K 390
- C 350
- C 390
- NG 410 / 410 S
- NG 460
- NG 414
- NG 464
- NG 464 TR
- NG 464 TR-E
- NG 504
- NG 504 TR
- NG 504 TR-E
- R 430 / 430 S
- R 480
- R 430 TR
- R 434
- R 484
- R 534
- R 484 TR / TR-E
- R 534 TR / TR-E
- RL 430 / 430 S
- RL 480
- RL 430 TR
- RL 434
- RL 484
- RL 534
- RL 484 TR
- RL 484 TR-E
- RL 534 TR
- RL 534 TR-E
- TD 430 / 430 S
- TD 480
- TD 430 TR
- TD 434
- TD 484
- TD 534
- TD 484 TR
- TD 484 TR-E
- TD 534 TR
- TD 534 TR-E
- TDL 430 / 430 S
- TDL 480
- TDL 430 TR
- TDL 434
- TDL 484
- TDL 534
- TDL 484 TR
- TDL 484 TR-E
- TDL 534 TR
- TDL 534 TR-E
- CA 430
- CA 480
- CA 434
- CA 484
- CA 534
- CA 430 TR
- CA 434 TR
- CA 484 TR / TR-E
- CA 534 TR / TR-E
- CAL 430
- CAL 480
- CAL 434
- CAL 484
- CAL 534
- CAL 430 TR
- CAL 434 TR
- CAL 484 TR / TR-E
- CAL 534 TR / TR-E
- T 430 / 430 S
- T 480
- T 434
- T 484
- T 484 TR
- T 484 TR-E
- PAN 504
- PAN 504 TR
- PAN 504 TR-E
- PAN 504 TR-E 3S
- PAN 504 TR 3S
- NP 534
- NP 534 TR
- NP 534 TR-E
- NP 534 TR 3S
- NP 534 TR-E 3S
- S 474 L

www.emc-motoculture.com

01D.005

01T.005

1

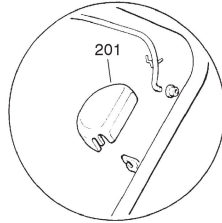
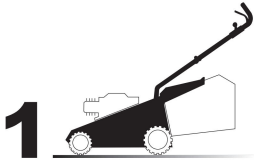
2

3

4

5

6



01T.006

01T.006

VARIANTE REGIME FISSO - FIXED SPEED VARIANTS - VARIANTES POUR MODÈLE À REGIME FIXE - ÄNDERUNGEN FÜR MODELLE MIT FIXIERTER DREHZAHL

Pos	Code	Q.ty	Descrizione	Description	Description	Beschreibung
201	22601000/ 0	-	PROTEZIONE	PROTECTION	PROTECTION	SCHUTZ

www.emc-motoculture.com

- H 350
- K 350
- K 390
- C 350
- C 390
- NG 410 / 410 S
- NG 460
- NG 414
- NG 464
- NG 464 TR
- NG 464 TR-E
- NG 504
- NG 504 TR
- NG 504 TR-E
- R 430 / 430 S
- R 480
- R 430 TR
- R 434
- R 484
- R 534
- R 484 TR / TR-E
- R 534 TR / TR-E
- RL 430 / 430 S
- RL 480
- RL 430 TR
- RL 434
- RL 484
- RL 534
- RL 484 TR
- RL 484 TR-E
- RL 534 TR
- RL 534 TR-E
- TD 430 / 430 S
- TD 480
- TD 430 TR
- TD 434
- TD 484
- TD 534
- TD 484 TR
- TD 484 TR-E
- TD 534 TR
- TD 534 TR-E
- TDL 430 / 430 S
- TDL 480
- TDL 430 TR
- TDL 434
- TDL 484
- TDL 534
- TDL 484 TR
- TDL 484 TR-E
- TDL 534 TR
- TDL 534 TR-E
- CA 430
- CA 480
- CA 434
- CA 484
- CA 534
- CA 430 TR
- CA 434 TR
- CA 484 TR / TR-E
- CA 534 TR / TR-E
- CAL 430
- CAL 480
- CAL 434
- CAL 484
- CAL 534
- CAL 430 TR
- CAL 434 TR
- CAL 484 TR / TR-E
- CAL 534 TR / TR-E
- T 430 / 430 S
- T 480
- T 434
- T 484
- T 484 TR
- T 484 TR-E
- PAN 504
- PAN 504 TR
- PAN 504 TR-E
- PAN 504 TR-E 3S
- PAN 504 TR 3S
- NP 534
- NP 534 TR
- NP 534 TR-E
- NP 534 TR 3S
- NP 534 TR-E 3S
- S 474 L

1

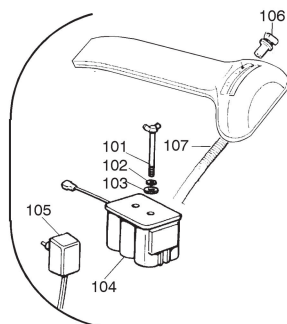
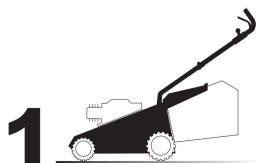
2

3

4

5

6



VARIANTI PER AVVIAMENTO ELETTRICO - PARTS FOR ELECTIC START - COMPOSANTS POUR DÉMARRAGE ÉLECTRIQUE - ELEKTROSTART BESTANDTEILE

Pos	Code	Q.ty	Descrizione	Description	Description	Beschreibung
101	22517855/ 0	2	PERNO	PIN	PIVOT	BOLZEN
102	12523000/ 0	2	RONDELLA	WASHER	RONDELLE	SCHNEIBE
103	12540020/ 0	2	RONDELLA	WASHER	RONDELLE	SCHNEIBE
104	18120050/ 0	1	BATTERIA	BATTERY	BATTERIE	BATTERIE
105	18204110/ 0	1	CARICA BATTERIA	BATTERY CHARGER	CHARGEUR DE BATTERIE	LADGERÄT
106	18450050/ 0	1	INTERRUTTORE	SWITCH	INTERRUPTEUR	SCHALTER
107	18204190/ 2	1	CAVO AVVIAMENTO	CABLE, START	CABLE DÉMARRAGE	KABEL, START

- H 350
- K 350
- K 390
- C 350
- C 390
- NG 410 / 410 S
- NG 460
- NG 414
- NG 464
- NG 464 TR
- NG 464 TR-E
- NG 504
- NG 504 TR
- NG 504 TR-E
- R 430 / 430 S
- R 480
- R 430 TR
- R 434
- R 484
- R 534
- R 484 TR / TR-E
- R 534 TR / TR-E
- RL 430 / 430 S
- RL 480
- RL 430 TR
- RL 434
- RL 484
- RL 534
- RL 484 TR
- RL 484 TR-E
- RL 534 TR
- RL 534 TR-E
- TD 430 / 430 S
- TD 480
- TD 430 TR
- TD 434
- TD 484
- TD 534
- TD 484 TR
- TD 484 TR-E
- TD 534 TR
- TD 534 TR-E
- TDL 430 / 430 S
- TDL 480
- TDL 430 TR
- TDL 434
- TDL 484
- TDL 534
- TDL 484 TR
- TDL 484 TR-E
- TDL 534 TR
- TDL 534 TR-E
- CA 430
- CA 480
- CA 434
- CA 484
- CA 534
- CA 430 TR
- CA 434 TR
- CA 484 TR / TR-E
- CA 534 TR / TR-E
- CAL 430
- CAL 480
- CAL 434
- CAL 484
- CAL 534
- CAL 430 TR
- CAL 434 TR
- CAL 484 TR / TR-E
- CAL 534 TR / TR-E
- T 430 / 430 S
- T 480
- T 434
- T 484
- T 484 TR
- T 484 TR-E
- PAN 504
- PAN 504 TR
- PAN 504 TR-E
- PAN 504 TR-E 3S
- PAN 504 TR 3S
- NP 534
- NP 534 TR
- NP 534 TR-E
- NP 534 TR 3S
- NP 534 TR-E 3S
- S 474 L

www.emc-motoculture.com

01D.008

01T.008

1

2

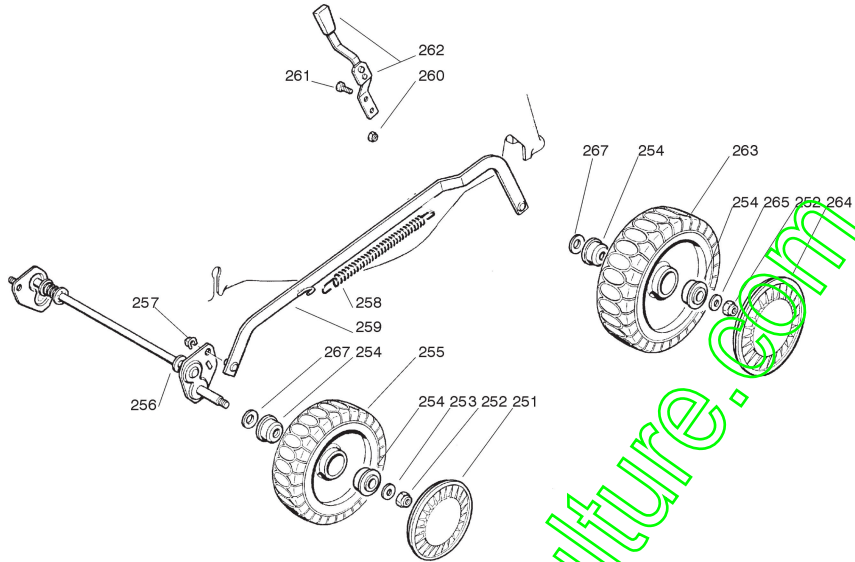
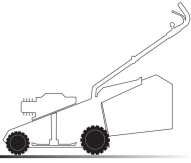
3

4

5

6

2



02D.013

02T.015

Pos	Code	Q.ty	Descrizione	Description	Description	Beshreibung
251	22110282/ 0	2	COPRIMOZZO BIANCO	HUB CAP WHITE	COUVRE-MOYEU BLANC	RADKAPPE WEIßE
-	22110288/ 0	2	COPRIMOZZO GIALLO	HUB CAP YELLOW	COUVRE-MOYEU JAUNE	RADKAPPE GELBE
-	22110290/ 1	2	COPRIMOZZO ROSSO	HUB CAP RED	COUVRE-MOYEU ROUGE	RADKAPPE ROTE
252	12155000/ 0	4	DADO	NUT	ECROU	MUTTER
253	12521350/ 0	2	RONDELLA	WASHER	RONDELLE	SCHEIBE
254	22122200/ 0	8	CUSCINETTO	BEARING	COUSSINET	LAGER
255	81007336/ 0	2	RUOTA SCOLPITA Ø 170	WHEEL, KNOBBLY Ø 170	ROUE SCULPTEE Ø 170	RAD M. STOLLENPR. Ø 170
256	81001274/ 1	1	ASSE RUOTE ANTERIORE	AXLE, FRONT WHEELS	AXE ROUES AVANT	ACHSE, VORDERRAD
-	81001223/ 1	1	ASSE RUOTE ANTERIORE	AXLE, FRONT WHEELS	AXE ROUES AVANT	ACHSE, VORDERRAD
257	12436050/ 0	2	PIASTRINA	PLATE	PLAQUETTE	PLÄTTCHEN
258	22446180/ 0	1	MOLLA	SPRING	RESSORT	FEDER
259	81001276/ 0	1	ASTA COMANDO REGOL. ALTEZZA	CONTROL ROD, HEIGHT ADJUSTMENT	TIGE COMMANDE REGLAGE HAUTEUR	STANGE, HÖHEVERSTELLUNG
-	81001264/ 0	1	ASTA COMANDO REGOL. ALTEZZA	CONTROL ROD, HEIGHT ADJUSTMENT	TIGE COMMANDE REGLAGE HAUTEUR	STANGE, HÖHEVERSTELLUNG
260	12154330/ 0	2	DADO	NUT	ECROU	MUTTER
261	12789000/ 0	2	VITE	SCREW	VIS	SCHRAUBE
262	81003279/ 2	1	LEVA REGOLAZIONE ALTEZZA	LEVER, HEIGHT ADJUSTMENT	LEVIER, REGLAGE HAUTEUR	HEBEL, HÖHEVERSTELLUNG
263	81007337/ 0	2	RUOTA SCOLPITA Ø 210	WHEEL, KNOBBLY Ø 210	ROUE SCULPTEE Ø 210	RAD M. STOLLENPR. Ø 210
264	22110287/ 0	2	COPRIMOZZO GIALLO	HUB CAP YELLOW	COUVRE-MOYEU JAUNE	RADKAPPE GELBE
-	22110281/ 0	2	COPRIMOZZO BIANCO	HUB CAP WHITE	COUVRE-MOYEU BLANC	RADKAPPE WEIßE
-	22110289/ 0	2	COPRIMOZZO ROSSO	HUB CAP RED	COUVRE-MOYEU ROUGE	RADKAPPE ROTE
265	12369500/ 0	2	RONDELLA	WASHER	RONDELLE	SCHEIBE

- H 350 _____
- K 350 _____
- K 390 _____
- C 350 _____
- C 390 _____
- NG 410 / 410 S _____
- NG 460 _____
- NG 414 _____
- NG 464 _____
- NG 464 TR _____
- NG 464 TR-E _____
- NG 504 _____
- NG 504 TR _____
- NG 504 TR-E _____
- R 430 / 430 S _____
- R 480 _____
- R 430 TR _____
- R 434 _____
- R 484 _____
- R 534 _____
- R 484 TR / TR-E _____
- R 534 TR / TR-E _____
- RL 430 / 430 S _____
- RL 480 _____
- RL 430 TR _____
- RL 434 _____
- RL 484 _____
- RL 534 _____
- RL 484 TR _____
- RL 484 TR-E _____
- RL 534 TR _____
- RL 534 TR-E _____
- TD 430 / 430 S _____
- TD 480 _____
- TD 430 TR _____
- TD 434 _____
- TD 484 _____
- TD 534 _____
- TD 484 TR _____
- TD 484 TR-E _____
- TD 534 TR _____
- TD 534 TR-E _____
- TDL 430 / 430 S _____
- TDL 480 _____
- TDL 430 TR _____
- TDL 434 _____
- TDL 484 _____
- TDL 534 _____
- TDL 484 TR _____
- TDL 484 TR-E _____
- TDL 534 TR _____
- TDL 534 TR-E _____
- CA 430 _____
- CA 480 _____
- CA 434 _____
- CA 484 _____
- CA 534 _____
- CA 430 TR _____
- CA 434 TR _____
- CA 484 TR / TR-E _____
- CA 534 TR / TR-E _____
- CAL 430 _____
- CAL 480 _____
- CAL 434 _____
- CAL 484 _____
- CAL 534 _____
- CAL 430 TR _____
- CAL 434 TR _____
- CAL 484 TR / TR-E _____
- CAL 534 TR / TR-E _____
- T 430 / 430 S _____
- T 480 _____
- T 434 _____
- T 484 _____
- T 484 TR _____
- T 484 TR-E _____
- PAN 504 _____
- PAN 504 TR _____
- PAN 504 TR-E _____
- PAN 504 TR-E 3S _____
- PAN 504 TR 3S _____
- NP 534 _____
- NP 534 TR _____
- NP 534 TR 3S _____
- NP 534 TR-E 3S _____
- S 474 L _____

www.enicnoculture.com

1

2

3

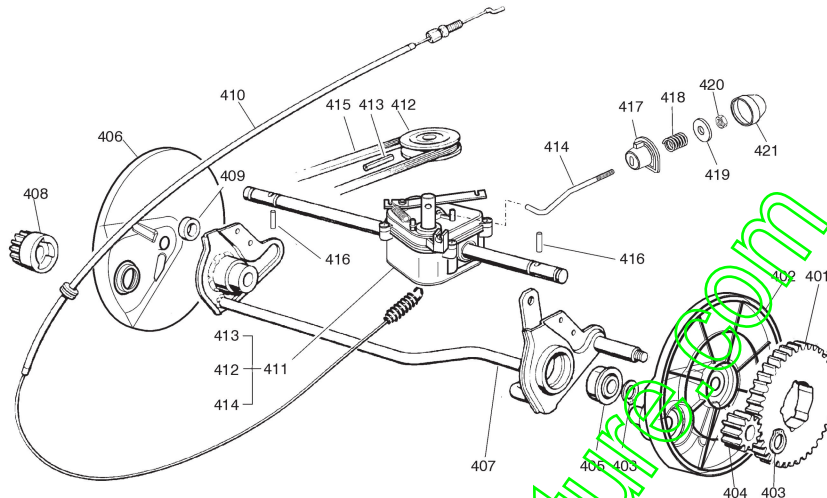
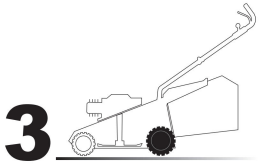
4

5

6

TDL 484 TR/TR-E - TDL 534 TR/TR-E

03T.006



- H 350 _____
- K 350 _____
- K 390 _____
- C 350 _____
- C 390 _____
- NG 410 / 410 S _____
- NG 460 _____
- NG 414 _____
- NG 464 _____
- NG 464 TR _____
- NG 464 TR-E _____
- NG 504 _____
- NG 504 TR _____
- NG 504 TR-E _____
- R 430 / 430 S _____
- R 480 _____
- R 430 TR _____
- R 434 _____
- R 484 _____
- R 534 _____
- R 484 TR / TR-E _____
- R 534 TR / TR-E _____
- RL 430 / 430 S _____
- RL 480 _____
- RL 430 TR _____
- RL 434 _____
- RL 484 _____
- RL 534 _____
- RL 484 TR _____
- RL 484 TR-E _____
- RL 534 TR _____
- RL 534 TR-E _____
- TD 430 / 430 S _____
- TD 480 _____
- TD 430 TR _____
- TD 434 _____
- TD 484 _____
- TD 534 _____
- TD 484 TR _____
- TD 484 TR-E _____
- TD 534 TR _____
- TD 534 TR-E _____
- TDL 430 / 430 S _____
- TDL 480 _____
- TDL 430 TR _____
- TDL 434 _____
- TDL 484 _____
- TDL 534 _____
- TDL 484 TR _____
- TDL 484 TR-E _____
- TDL 534 TR _____
- TDL 534 TR-E _____
- CA 430 _____
- CA 480 _____
- CA 434 _____
- CA 484 _____
- CA 534 _____
- CA 430 TR _____
- CA 434 TR _____
- CA 484 TR / TR-E _____
- CA 534 TR / TR-E _____
- CAL 430 _____
- CAL 480 _____
- CAL 434 _____
- CAL 484 _____
- CAL 534 _____
- CAL 430 TR _____
- CAL 434 TR _____
- CAL 484 TR / TR-E _____
- CAL 534 TR / TR-E _____
- T 430 / 430 S _____
- T 480 _____
- T 434 _____
- T 484 _____
- T 484 TR _____
- T 484 TR-E _____
- PAN 504 _____
- PAN 504 TR _____
- PAN 504 TR-E _____
- PAN 504 TR-E 3S _____
- PAN 504 TR 3S _____
- NP 534 _____
- NP 534 TR-E _____
- NP 534 TR 3S _____
- NP 534 TR-E 3S _____
- S 474 L _____

03D.001

03T.006

Pos	Code	Q.ty	Descrizione	Description	Description	Bezeichnung	
401	22120105/ 1	2	CORONA	RING GEAR	COURONNE	KRANZ	
402	22600093/ 0	1	PROTEZIONE RUOTE SINISTRA	PROTECTION, LEFT WHEEL	PROTECTION ROUE GAUCHE	SCHÜTZ, RÄDER LINKES	
403	12608600/ 0	4	SEEGER	SEEGER	SEEGER	SEEGER	
404	22570120/ 1	1	PIGNONE SINISTRO	PINION LEFT	PIGNON GAUCHE	RITZEL LINKES	
405	19216035/ 0	2	CUSCINETTO	BEARING	COUSSINET	LAGER	
406	22600092/ 0	1	PROTEZIONE RUOTE DESTRA	PROTECTION, RIGHT WHEEL	PROTECTION ROUE DROITE	SCHÜTZ, RÄDER RECHTES	
407	81000147/ 0	1	ASSE RUOTE POSTERIORE	AXLE, REAR WHEELS	AXE ROUES ARRIERE	ACHSE, HINTERRAD	
408	22570110/ 1	1	PIGNONE DESTRO	PINION RIGHT	PIGNON DROITE	RITZEL RECHTES	
409	22170800/ 0	1	DISTANZIALE	SPACER	ENTRETOISE	DISTANZRING	
410	81001143/ 0	1	CAVO COMANDO TRAZIONE	CABLE, REAR DRIVE	CABLE, COMMANDE TRACTION	KABEL, ANTRIEB	
411	81003059/ 0	1	GRUPPO TRAZIONE (PLASTICA)	GEAR BOX (PLASTIC)	GROUPE TRACTION (PLASTIQUE)	ANTRIEB (KUNSTSTOFF)	
-	81003060/ 1	1	GRUPPO TRAZIONE (ALLUMINIO)	GEAR BOX (ALUMINIUM)	GROUPE TRACTION (ALUMINIUM)	ANTRIEB (ALUMINIUM)	
412	22601904/ 0	1	PULEGGIA	PULLEY	POULIE	RIEMENSCHLEIBE	4 KM/ H
413	12645705/ 0	1	SPINA	PIN	COUPILLE	STIFT	
414	22033280/ 0	1	ASTA REGOLAZIONE	ADJUSTMENT ROD	TIGE REGLAGE	VERSTELLUNGSTANGE	
415	35063800/ 0	1	CINGHIA Z 27	BELT Z 27	COURROIE Z 27	RIEMEN Z 27	TDL 484 TR
-	35063800/ 0	1	CINGHIA Z 27	BELT Z 27	COURROIE Z 27	RIEMEN Z 27	TDL 484 TR-E
-	35063902/ 0	1	CINGHIA Z 29.5	BELT Z 29.5	COURROIE Z 29.5	RIEMEN Z 29.5	TDL 534 TR
-	35063902/ 0	1	CINGHIA Z 29.5	BELT Z 29.5	COURROIE Z 29.5	RIEMEN Z 29.5	TDL 534 TR-E
416	22753000/ 0	2	SPINA	PIN	GOUPILLE	STIFT	
417	22041957/ 0	1	BUSSOLA	BUSH	DOUILLE	BUCHSE	
418	22450063/ 0	1	MOLLA	SPRING	RESSORT	FEDER	
419	22680009/ 0	1	RONDELLA	WASHER	RONDELLE	SCHLEIBE	
420	12154510/ 0	1	DADO	NUT	ECROU	MUTTER	
421	22110230/ 0	1	TAPPO	CAP	BOUCHON	GUMMISTOPFEN	

www.emic.it/coltura.com

1

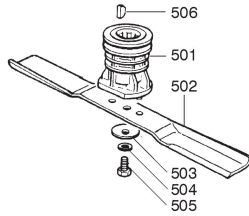
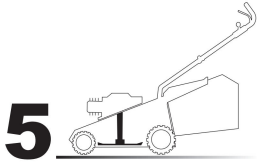
2

3

4

5

6



05D.003

05T.008

Pos	Code	Q.ty	Descrizione	Description	Description	Beshreibung	
501	22465607/ 0	1	MOZZO CON PULEGGIA	HUB WITH PULLEY	MOYEU AVEC POULIE	NABE MIT SCHEIBE	
502	81004346/ 2	1	COLTELLO STANDARD	BLADE STANDARD	LAME STANDARD	MESSER STANDARD	46 cm
502	81004397/ 0	1	COLTELLO ALETTATO	BLADE WINGED	LAME AILETTÉE	MESSER FLÜGEL	46 cm
502	81004381/ 0	1	COLTELLO STANDARD	BLADE STANDARD	LAME STANDARD	MESSER STANDARD	51 cm
502	81004398/ 0	1	COLTELLO ALETTATO	BLADE WINGED	LAME AILETTÉE	MESSER FLÜGEL	51 cm
503	22160400/ 0	1	DISCO ELASTICO	ELASTIC WASHER	RONDELLE ELASTIQUE	ELASTISCHE SCHEIBE	
504	12523080/ 0	1	RONDELLA	WASHER	RONDELLE	SCHIBE	
505	12735698/ 0	1	VITE	SCREW	VIS	SCHRAUBE	
506	12139100/ 0	1	LINGUETTA	FEATHER	CLAVETTE	KEIL	

www.emc-motoculture.com

- H 350
- K 350
- K 390
- C 350
- C 390
- NG 410 / 410 S
- NG 460
- NG 414
- NG 464
- NG 464 TR
- NG 464 TR-E
- NG 504
- NG 504 TR
- NG 504 TR-E
- R 430 / 430 S
- R 480
- R 430 TR
- R 434
- R 484
- R 534
- R 484 TR / TR-E
- R 534 TR / TR-E
- RL 430 / 430 S
- RL 480
- RL 430 TR
- RL 434
- RL 484
- RL 534
- RL 484 TR
- RL 484 TR-E
- RL 534 TR
- RL 534 TR-E
- TD 430 / 430 S
- TD 480
- TD 430 TR
- TD 434
- TD 484
- TD 534
- TD 484 TR
- TD 484 TR-E
- TD 534 TR
- TD 534 TR-E
- TDL 430 / 430 S
- TDL 480
- TDL 430 TR
- TDL 434
- TDL 484
- TDL 534
- TDL 484 TR
- TDL 484 TR-E
- TDL 534 TR
- TDL 534 TR-E
- CA 430
- CA 480
- CA 434
- CA 484
- CA 534
- CA 430 TR
- CA 434 TR
- CA 484 TR / TR-E
- CA 534 TR / TR-E
- CAL 430
- CAL 480
- CAL 434
- CAL 484
- CAL 534
- CAL 430 TR
- CAL 434 TR
- CAL 484 TR / TR-E
- CAL 534 TR / TR-E
- T 430 / 430 S
- T 480
- T 434
- T 484
- T 484 TR
- T 484 TR-E
- PAN 504
- PAN 504 TR
- PAN 504 TR-E
- PAN 504 TR-E 3S
- PAN 504 TR 3S
- NP 534
- NP 534 TR
- NP 534 TR-E
- NP 534 TR 3S
- NP 534 TR-E 3S
- S 474 L

1

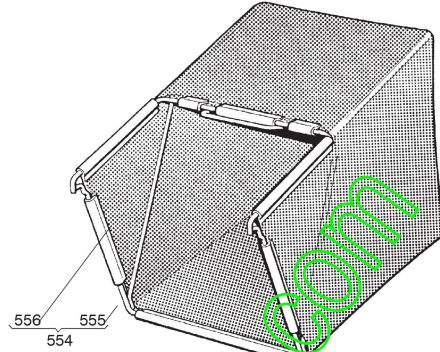
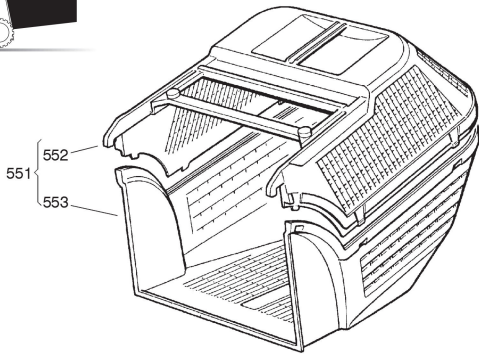
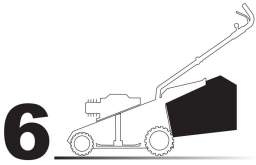
2

3

4

5

6



06D.002

06T.002

Pos	Code	Q.ty	Descrizione	Description	Description	Beschreibung
551	94004000/ 1	1	SACCO COMPLETO	GRASS-BOX, COMPLETE	BAC COMPLET	KORB KOMPLETTE
552	22486073/ 0	1	SACCO, PARTE SUPERIORE	GRASS-BOX, UPPER PART	SAC, PARTIE SUPERIEURE	KORB OBERTEIL
553	22486074/ 0	1	SACCO, PARTE INFERIORE	GRASS-BOX, LOWER PART	SAC, PARTIE INFERIEURE	KORB UNTERTEIL
554	94005000/ 0	1	SACCO IN TELA, COMPLETO	GRASSCATCHER, CANVASS COMPLETE	SAC EN TOILE, COMPLETE	SACK, KOMPLETTE
555	81006418/ 0	1	TELAIO SACCO	CHASSIS BOX	CHÂSSIS BAC	RAHMEN SACK
556	81002105/ 2	1	SACCO, TELA	BOX, FABRIC	SAC, TOILE	SACK, TUCK

www.emc-motoculture.com

- H 350
- K 350
- K 390
- C 350
- C 390
- NG 410 / 410 S
- NG 460
- NG 414
- NG 464
- NG 464 TR
- NG 464 TR-E
- NG 504
- NG 504 TR
- NG 504 TR-E
- R 430 / 430 S
- R 480
- R 430 TR
- R 434
- R 484
- R 534
- R 484 TR / TR-E
- R 534 TR / TR-E
- RL 430 / 430 S
- RL 480
- RL 430 TR
- RL 434
- RL 484
- RL 534
- RL 484 TR
- RL 484 TR-E
- RL 534 TR
- RL 534 TR-E
- TD 430 / 430 S
- TD 480
- TD 430 TR
- TD 434
- TD 484
- TD 534
- TD 484 TR
- TD 484 TR-E
- TD 534 TR
- TD 534 TR-E
- TDL 430 / 430 S
- TDL 480
- TDL 430 TR
- TDL 434
- TDL 484
- TDL 534
- TDL 484 TR
- TDL 484 TR-E
- TDL 534 TR
- TDL 534 TR-E
- CA 430
- CA 480
- CA 434
- CA 484
- CA 534
- CA 430 TR
- CA 434 TR
- CA 484 TR / TR-E
- CA 534 TR / TR-E
- CAL 430
- CAL 480
- CAL 434
- CAL 484
- CAL 534
- CAL 430 TR
- CAL 434 TR
- CAL 484 TR / TR-E
- CAL 534 TR / TR-E
- T 430 / 430 S
- T 480
- T 434
- T 484
- T 484 TR
- T 484 TR-E
- PAN 504
- PAN 504 TR
- PAN 504 TR-E
- PAN 504 TR-E 3S
- PAN 504 TR 3S
- NP 534
- NP 534 TR
- NP 534 TR-E
- NP 534 TR 3S
- NP 534 TR-E 3S
- S 474 L

1

2

3

4

5

6

www.emc-motoculture.com