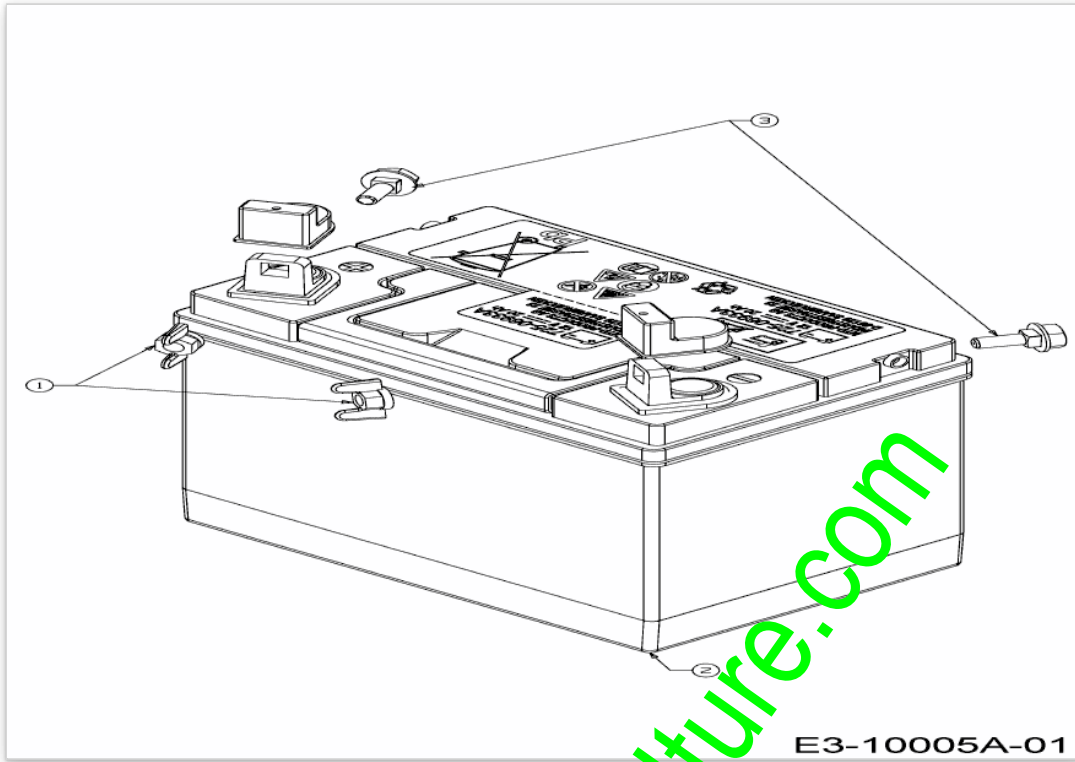


[www.emc-motoculture.com](http://www.emc-motoculture.com)

Position	Numéro de lapièce	#	Appellation I	Appellation II
1	618-04474B	1	PALIER DE LAME COMPLET	FINISH:
2	712-05134	1	ECROU	FINISH:MTD SPEC-100015+WAX
3	736-0188	1	RONDELLE 76 X 1.49 X .06	FINISH:MTD SPEC-100016
4	738-04241	1	AXE DE LAME	FINISH:GEÖLT
6	756-05097	1	POULIE DE PALIER DE LAME	FINISH:SPEC-100015 SEE DRWG
8	783-08435	1	PROTECTION DE ROULEMENT	FINISH:SPEC-701-101625

[www.emc-motoculture.com](http://www.emc-motoculture.com)

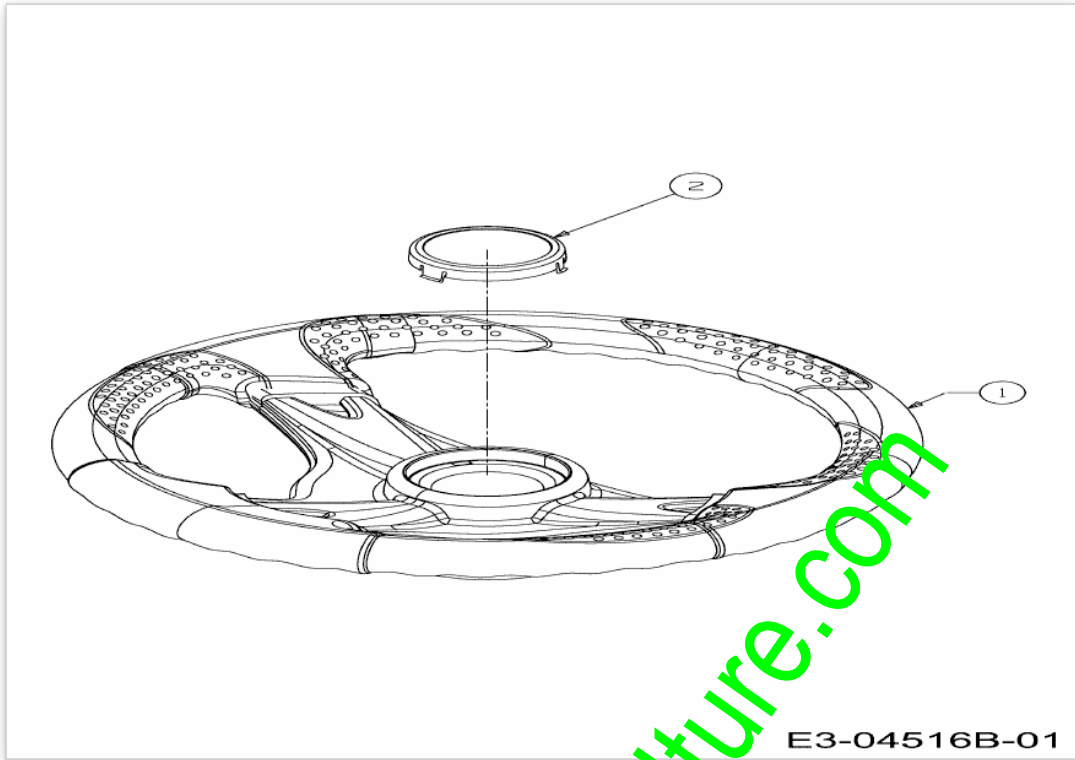


E3-10005A-01

[www.emc-motoculture.com](http://www.emc-motoculture.com)

Position	Numéro de lapièce	#	Appellation I	Appellation II
1	712-3087	2	ECROU PAPILLON	FINISH:KUNSTSTOFF SCHWARZ
2	725-06933A	1	BATTERIE 12V 22A	LANDPORT
3	738-1132	2	AXE	FINISH:SPEC-100015

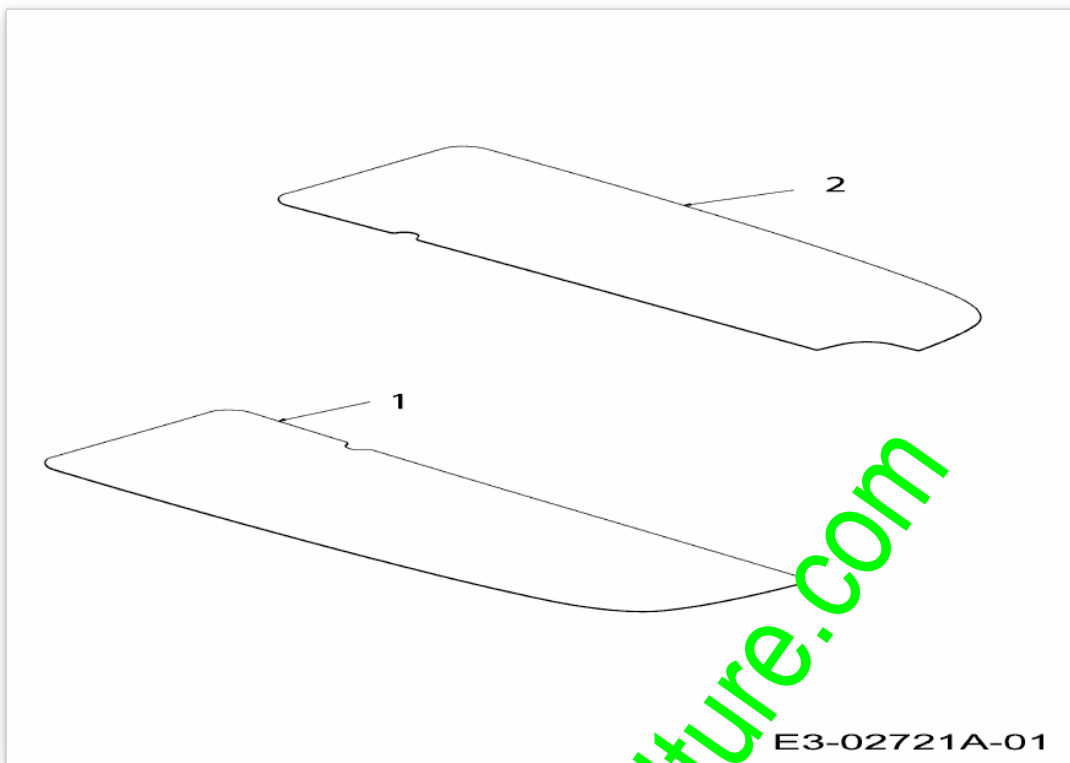
[www.emc-motoculture.com](http://www.emc-motoculture.com)



[www.emc-motoculture.com](http://www.emc-motoculture.com)

Position	Numéro de pièce	#	Appellation I	Appellation II
1	631-04008B	1	VOLANT CPL.:3 RAYONS:12"	SOFTGRIP
2	731-04039	1	CAPUCHON DE VOLANT SANS LOGO	FINISH:KUNSTSTOFF SCHWARZ

[www.emc-motoculture.com](http://www.emc-motoculture.com)

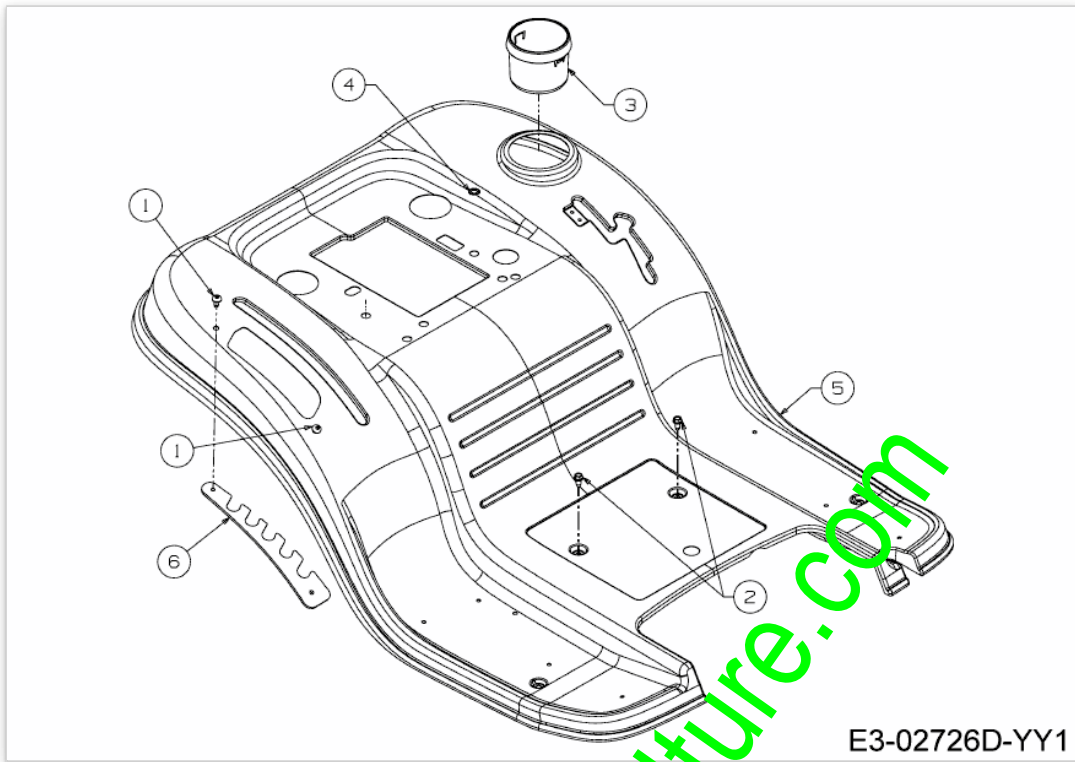


[www.emc-motoculture.com](http://www.emc-motoculture.com)

Position	Numéro de lapièce	#	Appellation I	Appellation II
1	723-04025	1	MARCHE PIED DROITE	FARBE: SCHWARZ
2	723-04026	1	MARCHE PIED GAUCHE	FARBE: SCHWARZ

[www.emc-motoculture.com](http://www.emc-motoculture.com)

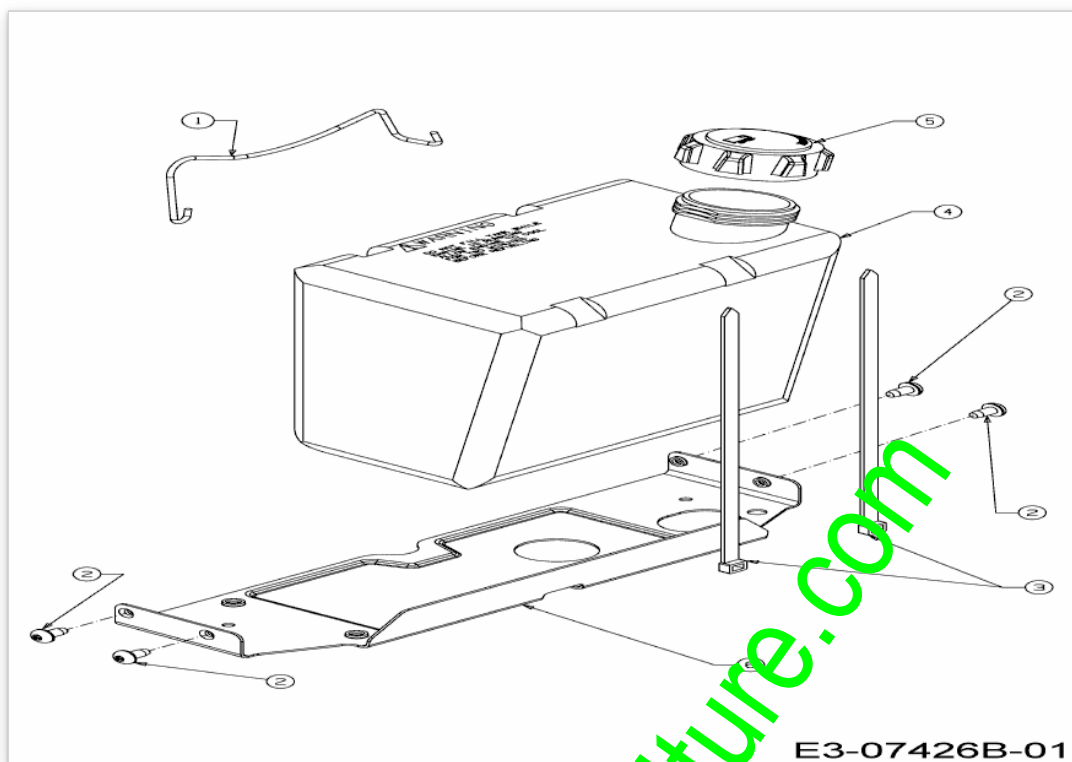




[www.emc-motoculture.com](http://www.emc-motoculture.com)

Position	Numéro de pièce	#	Appellation I	Appellation II
1	710-05070A	2	VIS	FINISH:SCHWARZ SPEC-000087
2	710-0599	2	VIS A SIX PANS CREUX	FINISH:MTD SPEC-101617
3	731-04591A	1	PORTE GOBELET	FINISH:KUNSTSTOFF SCHWARZ
4	736-0607	1	RONDELLE	FINISH:MTD SPEC-100016
5	783-04593EYY	1		
6	783-04843	1	RASTPLATTE:5-FACH:DECK:LT-5	FINISH LACKIERT

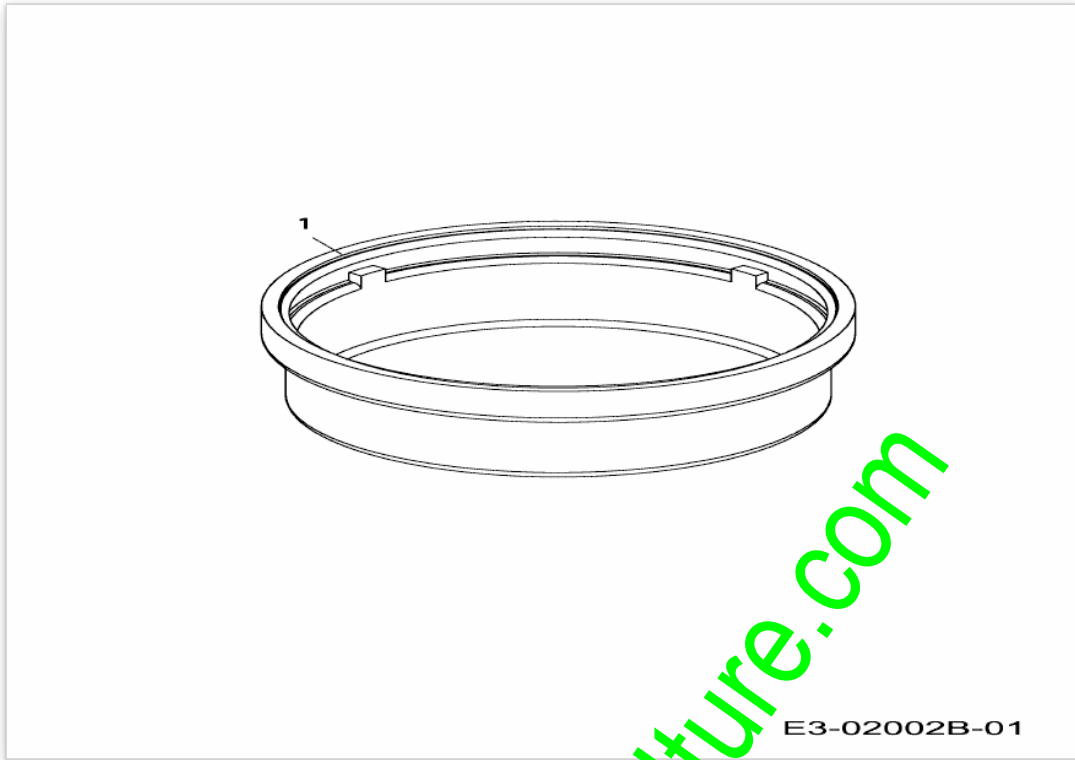
[www.emc-motoculture.com](http://www.emc-motoculture.com)



E3-07426B-01

Position	Numéro de pièce	#	Appellation I	Appellation II
1	683-04448637	1	TRINGLE SUPPORT BATTERIE	683-04448-0637
2	710-05070	4	VIS	FINISH: SCHWARZ SPEC 701-01010
3	726-0230	2	COLLIER	FINISH: SCHWARZ
4	751-0553	1	RESERVOIR 5 L ENV.	FINISH: NATUR SIEHE ZG.
5	751-0603A	1	BOUCHON ESSENCE	KUNSTSTOFF SCHWARZ -OBSOLETE-
6	783-07083A-S	1	SUPPORT DE RESERVOIR ESSENCE	FINISH: LACKIERT MTD QUALITÄT

[www.emc-motoculture.com](http://www.emc-motoculture.com)

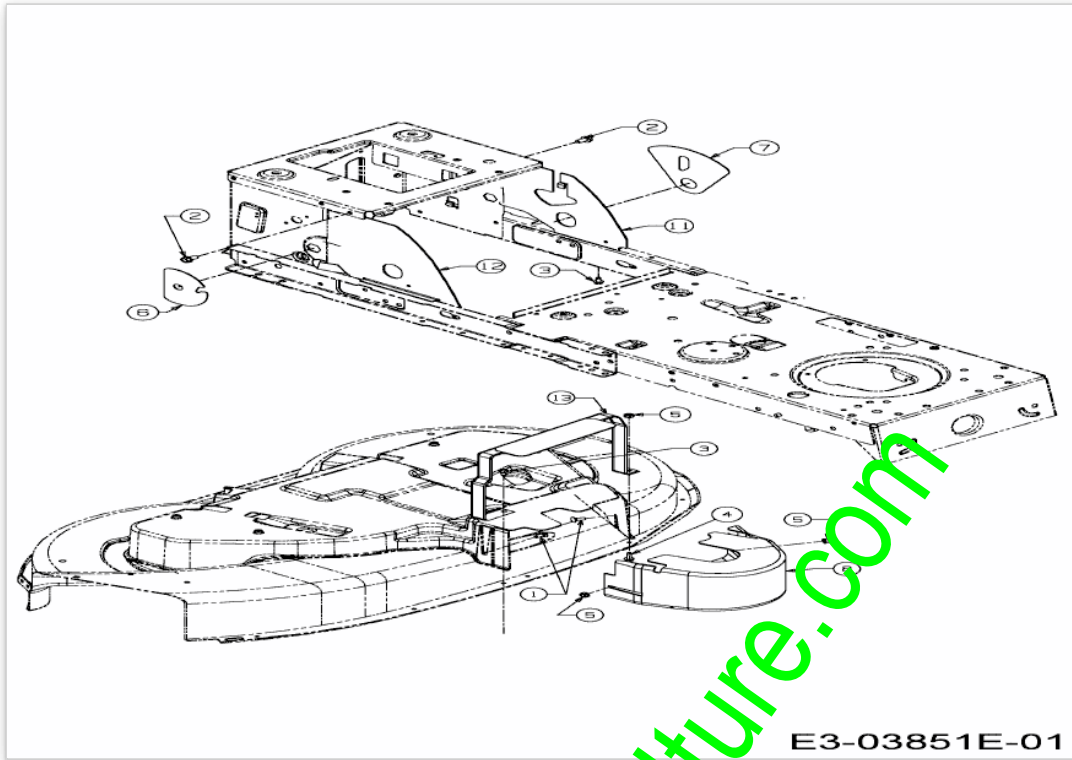


E3-02002B-01

[www.emc-motoculture.com](http://www.emc-motoculture.com)

Position	Numéro de pièce	#	Appellation I	Appellation II
1	731-0484A	2	ENJOLIVEUR DEVANT	KUNSTSTOFF SCHWARZ 931-0484A

[www.emc-motoculture.com](http://www.emc-motoculture.com)

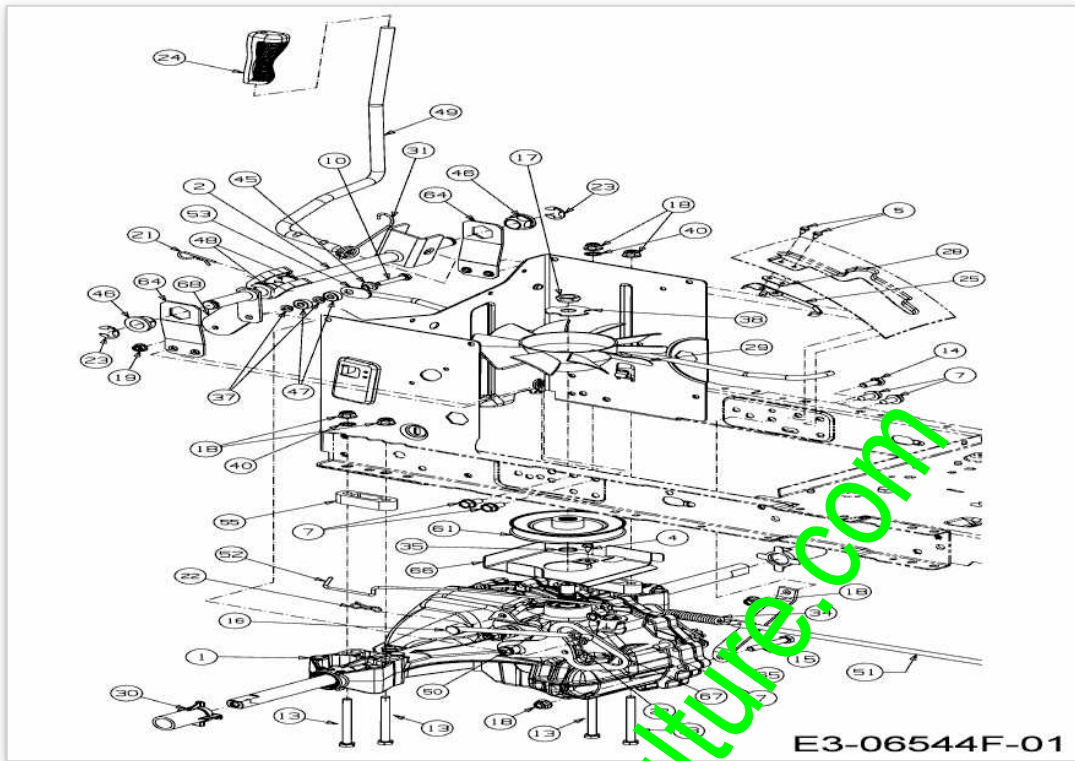


[www.emc-motoculture.com](http://www.emc-motoculture.com)

Position	Numéro de pièce	#	Appellation I	Appellation II
1	710-0134	2	VIS j TATE PLATE	FINISH:MTD SPEC-100015
2	710-04484	2	VIS HEX. TT:5/16-18:.750:HXIND	FINISH:MTD SPEC-100016 TYPE 1
3	710-0599	2	VIS A SIX PANS CREUX	FINISH:MTD SPEC-101617
4	710-0642	1	VIS1/4-20:0.750	SPEC-100016 TYPE 1 910-0642
5	712-0271	3	ECROU 1/4-20"+ DISQUE DENTE	FINISH:MTD SPEC-100016 GR5
6	731-05586	1	COUVERCLE PLASTIQUE	KUNSTSTOFFSCHEIBE Ø115mm (DÖ)
7	731-05587	1	COUVERCLE	731-05587 (DÖ)
8	731-05613A	1	PROTEGE COURROIE	FINISH:SCHWARZ
11	783-05087B-S	1	RAHMENABDECKUNG LI.:LT-5:HYDRO	FINISH:LACKIERT *
12	783-05088A-S	1	RAHMENABDECKUNG:RE:LT-5 HYDRO	FINISH:LACKIERT
13	783-05295637	1	SUPPORT	SCHWARZ

[www.emc-motoculture.com](http://www.emc-motoculture.com)

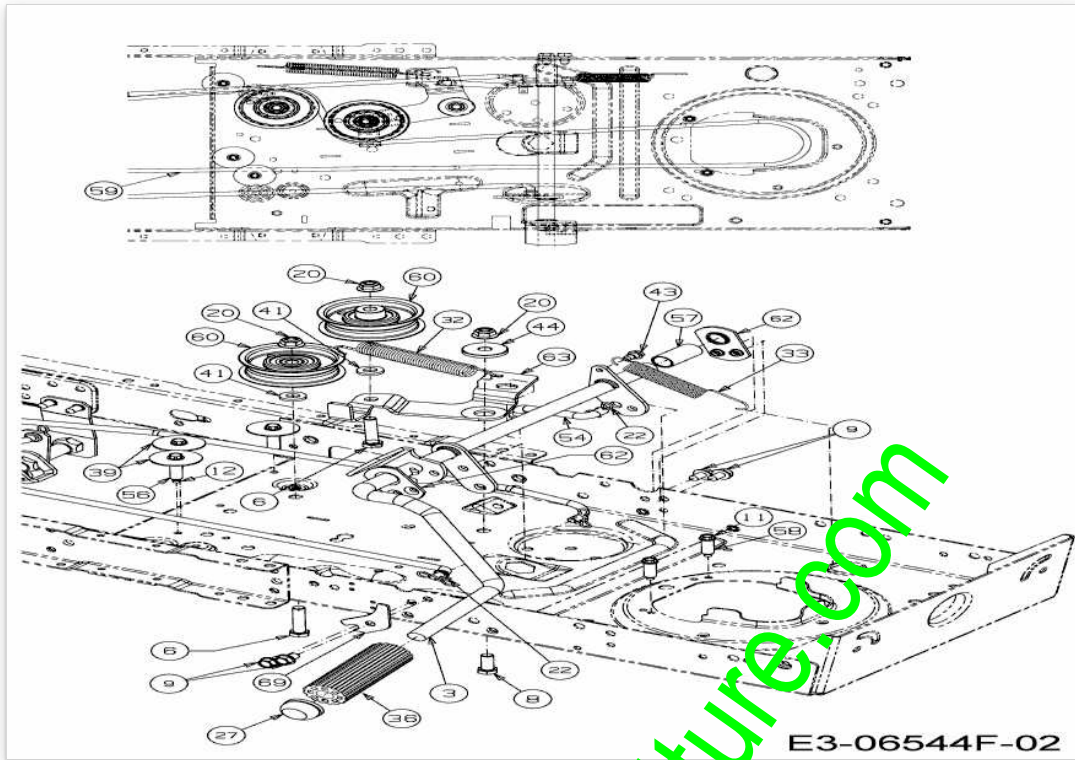




Position	Numéro de lapièce	#	Appellation I	Appellation II
1	618-04892B	1	SE RENSEIGNER MTD FRANCE	FINISH:
2	647-04200A-Z	1	KONTROLLHEBEL GESCHW.LT-5 HYDR	FINISH:SPEC-100015
3	647-04261A-S	1	PEDAL VST:ANTRIEB:LT-5:T2 HYDR	SCHWEISSTEIL:LACKIERT
4	710-0224	1	VIS PARK:#10-16:0.500:HXINDWSH	FINISH:MTD SPEC-100016 TYPE 1
5	710-0227	2	VIS	FINISH:MTD SPEC-100016 TYPE 1
6	710-0347	2	VIS HEX. 3/8-16:1.75:GR5:STD	FINISH:MTD SPEC-100015
7	710-04484	5	VIS HEX. TT:5/16-18:.750:HXIND	FINISH:MTD SPEC-100016 TYPE 1
8	710-0514	1	VIS HEX.:3/8-16:1.00:GR5:STD	FINISH:MTD SPEC-100015
9	710-0604A	4	VIS 5/16-18:0.625	FINISH:MTD SPEC-100016 TYPE 1
10	710-0606	1	VIS A SIX PANS CREUX	FINISH:SPEC-100015
11	710-0809	2	VIS HEX. TT:1/4-20:1.250:HXIND	FINISH:MTD SPEC-100016 TYPE 1
12	710-1026	3	VIS HEX:TT:1/4-20:1.750	FINISH:MTD-SPEC-100016
13	710-1266	4	VIS HHCS:5/16-18:3.5:GR5:STD	FINISH:MTD SPEC-100015
14	710-3008	1	VIS 5/16-18:.75:GR5:STD	SPEC-701-01006 or.SPEC-100015
15	710-3103	1	VIS HEX.:5/16-18:2.00:GR5:STD	FINISH:MTD SPEC-100015
16	711-04448	1	FERRURE	FINISH:ASTM F1941 FE/ZN 3AN
17	712-0346	1	ECROU HEX. 1/2-20:GR5:NYLON	FINISH:SPEC-100015 912-0346
18	712-04063	6	ECROU HEX. AVEC FLANC	FINISH:MTD SPEC-100015
19	712-04064	1	ECROU HEXAGONAL	FINISH:SPEC-100015 912-04064
20	712-04065	3	ECROU HEXAGONAL	FINISH:SPEC-100015 912-04065
21	714-0145	1	GOUPILLE	FINISH:SPEC-701-01006
22	714-04040	5	GOUPILLE	FINISH:ASTM F1941 FE/ZN 3AN
23	716-0106A	2	CIRCLIPS	FINISH:PHOSPHATIERT
24	720-0311	1	POIGNÛE LEVIER COUPE : 1/2	FARBE:SCHWARZ VINYL
25	725-04249	1	INTERRUPTEUR RESSORT	FINISH:MTD SPEC-100015
27	726-0214	1	BOUCHON	FINISH:SCHWARZ
28	726-0320	1	PLAQUE D'ISOLATION	FINISH:NATUR ODER SCHWARZ
29	731-06098	1	HELICE DE REFROIDISSEMENT	FINISH:NATUR
30	731-08237	2	MANCHON	FINISH:KUNSTSTOFF SCHWARZ
31	732-04225	1	RESSORT	FINISH:MTD STD 701-01006
32	732-04229	1	RESSORT	FINISH:SPEC-100015
33	732-04587	1	RESSORT	SPEC-701-01006 or SPEC-100015
34	732-0716D	1	RESSORT	FINISH:MTD STD 701-01006
35	732-0729	1	CIRCLIP	FINISH:SIEHE ZG.
36	735-0239A	1	PEDALGUMMI:RUND:GERILLT:4.0 LG	FINISH SCHWARZ
37	736-0329	2	RONDELLE GROWER	FINISH:SPEC-100016 24.8195.16
38	736-04263	1	RONDELLE	736-04263
39	736-0430	3	RONDELLE .350X.1.59X.062	FINISH:MTD SPEC-100015
40	736-0607	2	RONDELLE	FINISH:MTD SPEC-100016
41	736-3010	2	RONDELLE	FINISH:MTD SPEC-100016
43	738-04278	1	VIS	FINISH:MTD STD SPEC-100016
44	738-04430	1	RONDELLE GALET TENDEUR	FINISH:GEÖLT

Position	Numéro de pièce	#	Appellation I	Appellation II
45	738-04483	1	ENTRETOISE	FINISH:ÖL GEDIPPT
46	741-0225	2	BAGUE HEXAGONALE TEFLON 6 PANS	FINISH:KUNSTSTOFF SCHWARZ
47	741-04280	2	ROULEMENT	FINISH:GEÖLT
48	741-3065B	2	BAGUE HEXAGONALE RAINUREE	GESCHLITZT:FINISH SCHWARZ
49	747-04296A	1	SCHALTHEBEL:HYDRO	FINISH:SPEC-100015
50	747-04407A	1	TRINGLE	FINISH:701-01006/SPEC-100015
51	747-05242	1	BREMSSTANGE:LT-5:HYDRO T2	FINISH:SPEC-101616
52	747-05245	1	tige de bypass	FINISH:SPEC-100015
53	747-05598A-S	1	STANGE:BETÄTIGUNG:HYDRO:RTN	FINISH:LACKIERT MTD QUALITÄT
54	747-05603	1	TIGE DE SUPPORT COUPLAGE HYDRO	FINISH:SPEC-100015
55	748-0334	2	ENTRETOISE	FINISH:GEÖLT
56	750-04456	3	ENTRETOISE	FINISH:MTD SPEC-100015
57	750-05593	1	DISTANZROHR:.635 x.775 x 1.580	FINISH:KUNSTSTOFF SCHWARZ
58	750-0566A	2	ENTRETOISE	FINISH:MTD SPEC-100015
59	754-04252	1	COURROIE DE TRANSMISSION	FINISH:
60	756-04224	2	POULIE TENDEUR	BLK ECOAT,PAINT OR SPEC-100015
61	756-04308	1	POULIE DE PONT	FINISH:SPEC-100015
62	783-04536B	2	STÜTZBLECH:PEDAL:LT-5	FINISH:LACKIERT MTD QUALITÄT
63	783-04570B	1	SUPPORT POULIE TENDEUR	FINISH:SPEC-100015
64	783-04585A	2	BEFESTIGUNGSBLECH HYDRO LT-5	FINISH:LACKIERT
65	783-06551	1	783-06551637	4.2":FINISH:SIEHE ZG.
66	783-06558	1	783-06558637	FINISH:LACKIERT
67	783-06750A-S	1	KURVENBLECH:CONTR:SCHALTNOCKEN	FINISH:LACKIERT MTD QUALITÄT
68	783-06756637	1	FÜHRUNGSBÜGEL	FINISH:LACKIERT MTD QUALITÄT
69	783-06807A-S	1	PLATTE:ANSCHLAG:PEDAL	FINISH:LACKIERT MTD QUALITÄT

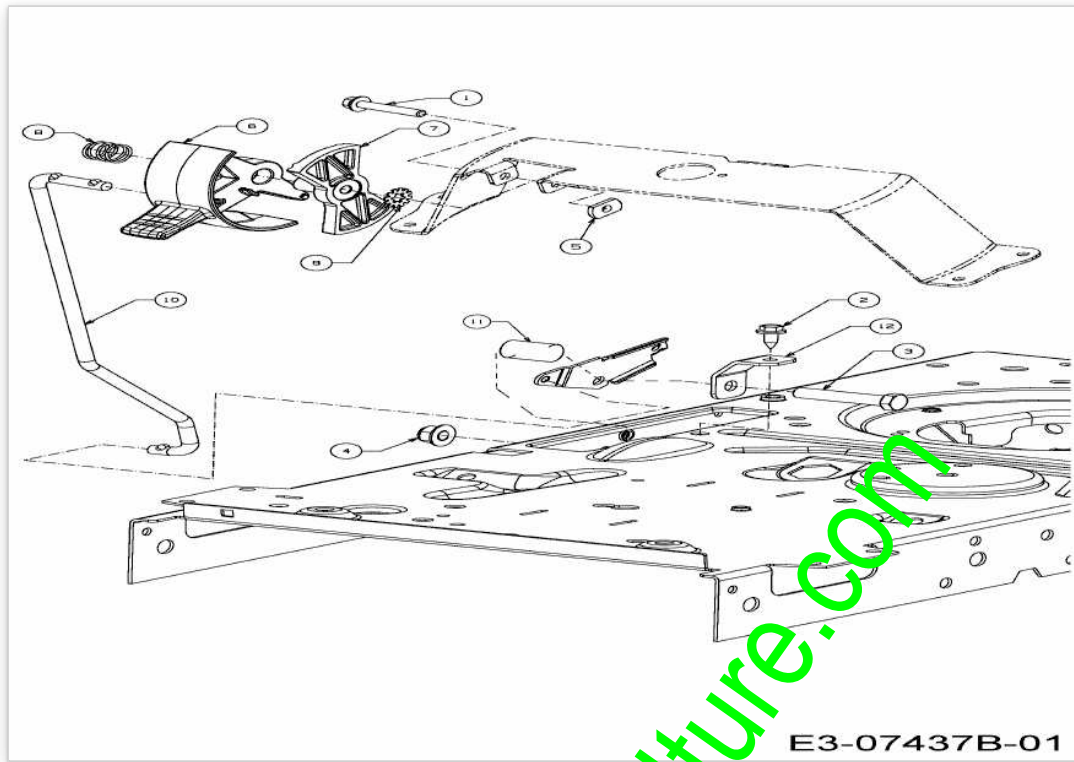
www.emc-motoculture.com



Position	Numéro de lapièce	#	Appellation I	Appellation II	Remarque
1	618-04892B	1	SE RENSEIGNER MTD FRANCE	FINISH:	
2	647-04200A-Z	1	KONTROLLHEBEL GESCHW.LT-5 HYDR	FINISH:SPEC-100015	
3	647-04261A-S	1	PEDAL VST:ANTRIEB:LT-5:T2 HYDR	SCHWEISSTEIL:LACKIERT	
4	710-0224	1	VIS PARK:#10-16:0.500:HXINDWSH	FINISH:MTD SPEC-100016 TYPE 1	
5	710-0227	2	VIS	FINISH:MTD SPEC-100016 TYPE 1	
6	710-0347	2	VIS HEX. 3/8-16:1.75:GR5:STD	FINISH:MTD SPEC-100015	
7	710-04484	5	VIS HEX. TT:5/16-18:.750:HXIND	FINISH:MTD SPEC-100016 TYPE 1	
8	710-0514	1	VIS HEX.:3/8-16:1.00:GR5:STD	FINISH:MTD SPEC-100015	
9	710-0604A	4	VIS 5/16-18:0.625	FINISH:MTD SPEC-100016 TYPE 1	
10	710-0606	1	VIS A SIX PANS CREUX	FINISH:SPEC-100015	
11	710-0809	2	VIS HEX. TT:1/4-20:1.250:HXIND	FINISH:MTD SPEC-100016 TYPE 1	
12	710-1026	3	VIS HEX:TT:1/4-20:1.750	FINISH:MTD SPEC-100016	
13	710-1266	4	VIS HHCS:5/16-18:3.5:GR5:STD	FINISH:MTD SPEC-100015	
14	710-3008	1	VIS 5/16-18:.75:GR5:STD	SPEC-701-01006 or SPEC-100015	
15	710-3103	1	VIS HEX.:5/16-18:2.00:GR5:STD	FINISH:MTD SPEC-100015	
16	711-04448	1	FERRURE	FINISH:ASTM F1941 FE/ZN 3AN	
17	712-0346	1	ECROU HEX. 1/2-20:GR5:NYLON	FINISH:SPEC-100015 912-0346	
18	712-04063	6	ECROU HEX. AVEC FLANC	FINISH:MTD SPEC-100015	
19	712-04064	1	ECROU HEXAGONAL	FINISH:SPEC-100015 912-04064	
20	712-04065	3	ECROU HEXAGONAL	FINISH:SPEC-100015 912-04065	
21	714-0145	1	GOUPILLE	FINISH:SPEC-701-01006	
22	714-04040	5	GOUPILLE	FINISH:ASTM F1941 FE/ZN 3AN	
23	716-0106A	2	CIRCLIPS	FINISH:PHOSPHATIERT	
24	720-0311	1	POIGNÛE LEVIER COUPE : 1/2	FARBE:SCHWARZ VINYL	
25	725-04249	1	INTERRUPTEUR ; RESSORT	FINISH:MTD SPEC-100015	
27	726-0214	1	BOUCHON	FINISH:SCHWARZ	jusqu'au 14.07.2019
28	726-0320	1	PLAQUE D'ISOLATION	FINISH:NATUR ODER SCHWARZ	
29	731-06098	1	HELICE DE REFFOIDISSEMENT	FINISH:NATUR	
30	731-08237	2	MANCHON	FINISH:KUNSTSTOFF SCHWARZ	
31	732-04225	1	RESSORT	FINISH:MTD STD 701-01006	
32	732-04229	1	RESSORT	FINISH:SPEC-100015	
33	732-04587	1	RESSORT	SPEC-701-01006 or SPEC-100015	
34	732-0716D	1	RESSORT	FINISH:MTD STD 701-01006	
35	732-0729	1	CIRCLIP	FINISH:SIEHE ZG.	
36	735-0239A	1	PEDALGUMMI:RUND:GERILLT:4.0 LG	FINISH SCHWARZ	jusqu'au 14.07.2019
36A	735-05051	1	CAOUTCHOUC DE PEDALE DE FREIN	FINISH:SCHWARZ SIEHE ZG.	
37	736-0329	2	RONDELLE GROWER	FINISH:SPEC-100016 24.8195.16	
38	736-04263	1	RONDELLE	736-04263	
39	736-0430	3	RONDELLE .350X.1.59X.062	FINISH:MTD SPEC-100015	
40	736-0607	2	RONDELLE	FINISH:MTD SPEC-100016	
41	736-3010	2	RONDELLE	FINISH:MTD SPEC-100016	
43	738-04278	1	VIS	FINISH:MTD STD SPEC-100016	
44	738-04430	1	RONDELLE GALET TENDEUR	FINISH:GEÖLT	
45	738-04483	1	ENTRETOISE	FINISH:ÖL GEDIPPT	
46	741-0225	2	BAGUE HEXAGONALE TEFLON 6 PANS	FINISH:KUNSTSTOFF SCHWARZ	
47	741-04280	2	ROULEMENT	FINISH:GEÖLT	

Position	Numéro de lapièce	#	Appellation I	Appellation II	Remarque
48	741-3065B	2	BAGUE HEXAGONALE RAINUREE	GESCHLITZT:FINISH SCHWARZ	
49	747-04296A	1	SCHALTHEBEL:HYDRO	FINISH:SPEC-100015	
50	747-04407A	1	TRINGLE	FINISH:701-01006/SPEC-100015	
51	747-05242	1	BREMSSTANGE:LT-5:HYDRO T2	FINISH:SPEC-101616	
52	747-05245	1	tige de bypass	FINISH:SPEC-100015	
53	747-05598A-S	1	STANGE:BETÄTIGUNG:HYDRO:RTN	FINISH:LACKIERT MTD QUALITÄT	
54	747-05603	1	TIGE DE SUPPORT COUPLAGE HYDRO	FINISH:SPEC-100015	
55	748-0334	2	ENTRETOISE	FINISH:GEÖLT	
56	750-04456	3	ENTRETOISE	FINISH:MTD SPEC-100015	
57	750-05593	1	DISTANZROHR:.635 x.775 x 1.580	FINISH:KUNSTSTOFF SCHWARZ	
58	750-0566A	2	ENTRETOISE	FINISH:MTD SPEC 100015	
59	754-04252	1	COURROIE DE TRANSMISSION	FINISH:	
60	756-04224	2	POULIE TENDEUR	BLK ECOAT,FAINT OR SPEC-100015	
61	756-04308	1	POULIE DE PONT	FINISH:SPEC-100015	
62	783-04536B	2	STÜTZBLECH:PEDAL:LT-5	FINISH:LACKIERT MTD QUALITÄT	
63	783-04570B	1	SUPPORT POULIE TENDEUR	FINISH:SPEC-100015	
64	783-04585A	2	BEFESTIGUNGSBLECH HYDRO LT-5	FINISH:LACKIERT	
65	783-06551	1	783-06551637	4.2" FINISH:SIEHE ZG.	
66	783-06558	1	783-06558637	FINISH:LACKIERT	
67	783-06750A-S	1	KURVENBLECH:CONTR:SCHALTNOCKEN	FINISH:LACKIERT MTD QUALITÄT	
68	783-06756637	1	FÜHRUNGSBÜGEL	FINISH:LACKIERT MTD QUALITÄT	
69	783-06807A-S	1	PLATTE:ANSCHLAG:PEDAL	FINISH:LACKIERT MTD QUALITÄT	

www.emc-motoculture.com



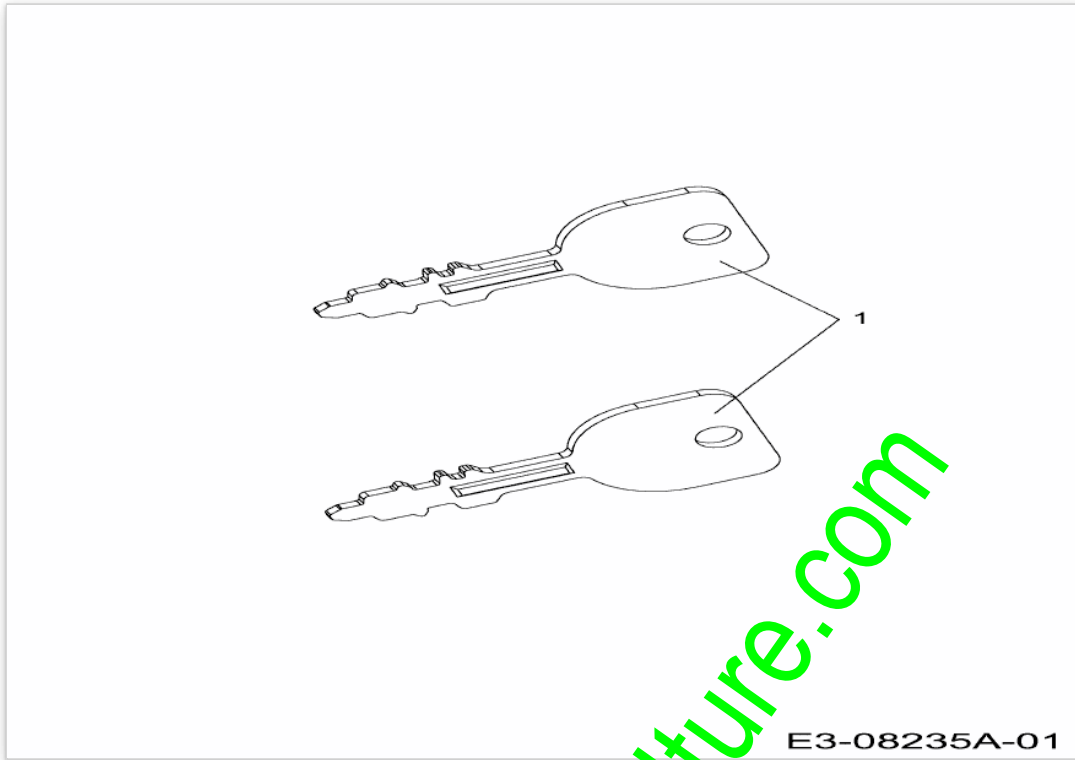
E3-07437B-01

[www.emc-motoculture.com](http://www.emc-motoculture.com)

Position	Numéro de pièce	#	Appellation I	Appellation II
1	710-05237	1	VIS	FINISH:MTD SPEC-100015
2	710-1652	1	VIS HEX. TT:1/4-20:.625:HXINDW	FINISH:MTD-SPEC-100016 TYPE 1
3	710-3144	1	VIS HEX.: 3/8-16:2.00:GR5:STD	FINISH:SPEC-100015 910-3144
4	712-04065	1	ECROU HEXAGONAL	FINISH:SPEC-100015 912-04065
5	712-0414	1	ECROU 1/4-20	FINISH:PLAIN
6	731-07885B	1	POIGNEE DE VITESSE	FINISH:KUNSTSTOFF GELB
7	731-07966A	1	SELECTEUR	FINISH PLAIN: (SCHWARZ)
8	732-04877	1	RESSORT	FINISH:MTD SPEC-100015
9	736-3006	1	RONDELLE 1/4 X -75	FINISH:SPEC-100016
10	747-05398	1	TRINGLE DE VITESSE	FINISH:SPEC-100015
11	750-04465C	1	ENTRETOISE	FINISH:GEÖLT
12	783-06823	1	SUPPORT	KONTROLLEBEL:VERZ.SIEHE ZG.

[www.emc-motoculture.com](http://www.emc-motoculture.com)



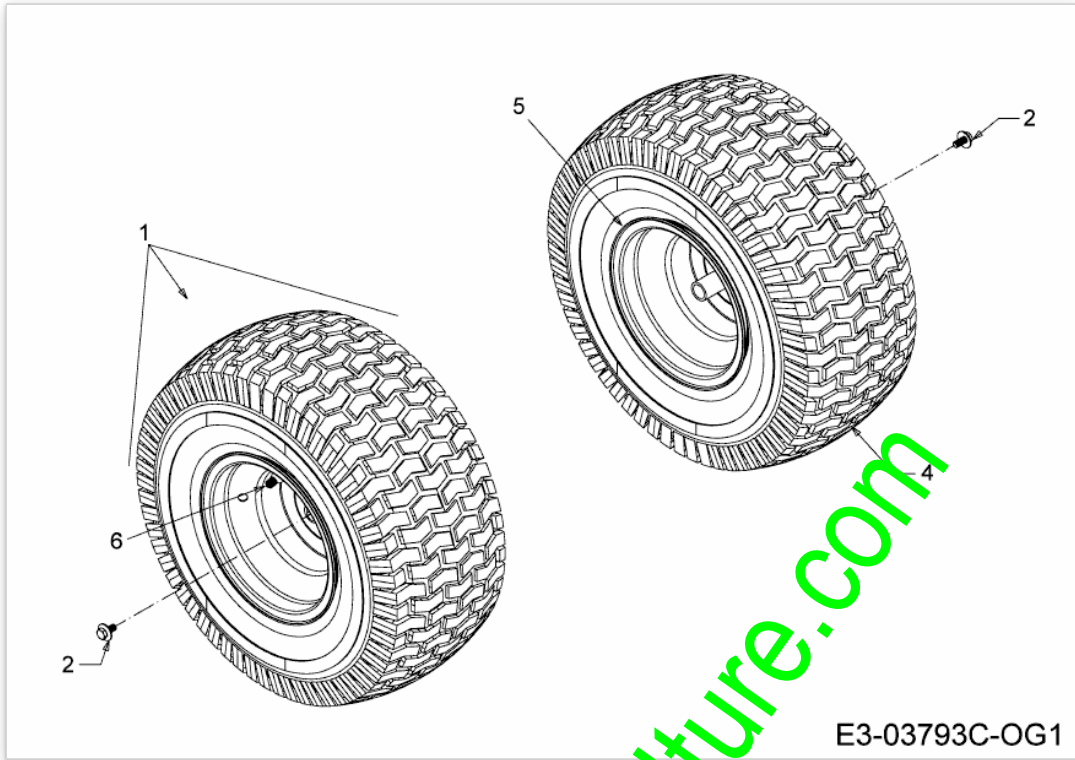


E3-08235A-01

[www.emc-motoculture.com](http://www.emc-motoculture.com)

Position	Numéro de pièce	#	Appellation I	Appellation II
1	725-1744A	2	CLE DE CONTACT	FINISH:

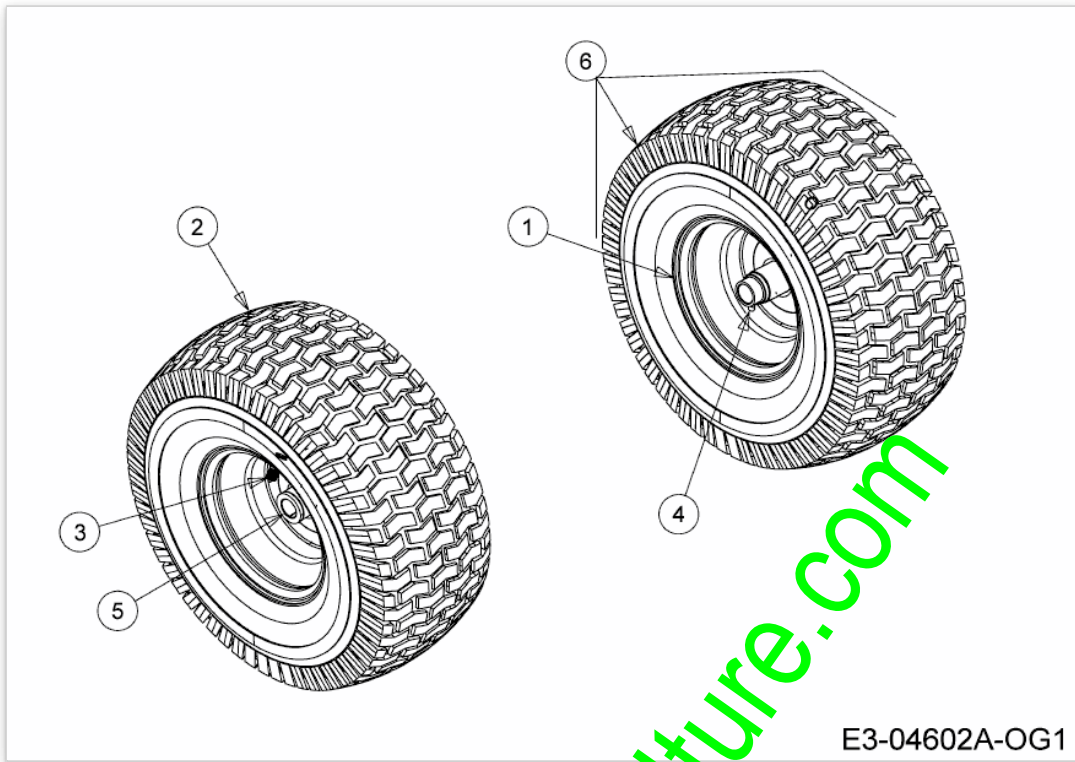
[www.emc-motoculture.com](http://www.emc-motoculture.com)



E3-03793C-OG1

Position	Numéro de pièce	#	Appellation I	Appellation II
1	634-0104-G	2	ROUE CPL 20X800 GRIS	FELGE:OYSTER GRAY 788-0662
2	710-05339	2	VIS	GR5 E-TEIL-SET
4	734-1596	2	PNEU 20 X 8.00.8 ST	BLOCK TURF PRO: RND SHL
5	634-04369662	2	JANTE ARRIERE GRISE	FINISH:OYSTER GRAY LACKIERT
6	734-0255	2	VALVE:PNEU	TR 412-P / 32.6mm / 934-0255

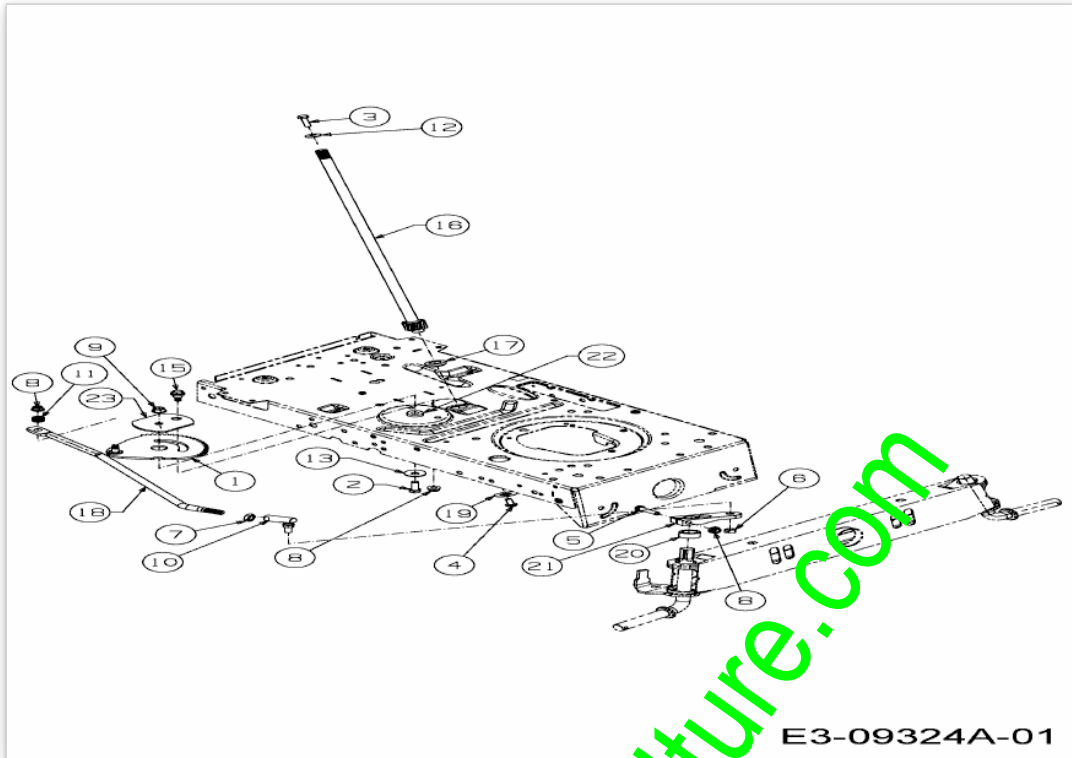
[www.emc-motoculture.com](http://www.emc-motoculture.com)



E3-04602A-OG1

Position	Numéro de pièce	#	Appellation I	Appellation II
1	634-04405-G	2		
2	734-1731	2	PNEU 15X600X6 DICO MULTI-TRAC	SQ SHOULDER:TURF SAVER
3	734-0255	2	VALVE:PNEU	TR 412-P / 32.6mm / 934-0255
4	741-0990B	2	BAGUE DE ROUE AVEC GRAISSEUR	m.SCHMIERNIPPEL:FINISH SCHWARZ
5	741-0516B	2	BAGUE DE ROUE .760x1.00x1.20	FINISH:SCHWARZ
6	634-04406-G	2	ROUE COMPLETE 15X6.0X6 GRISE	FELGE:OYSTER GRAY 788-0662

[www.emc-motoculture.com](http://www.emc-motoculture.com)

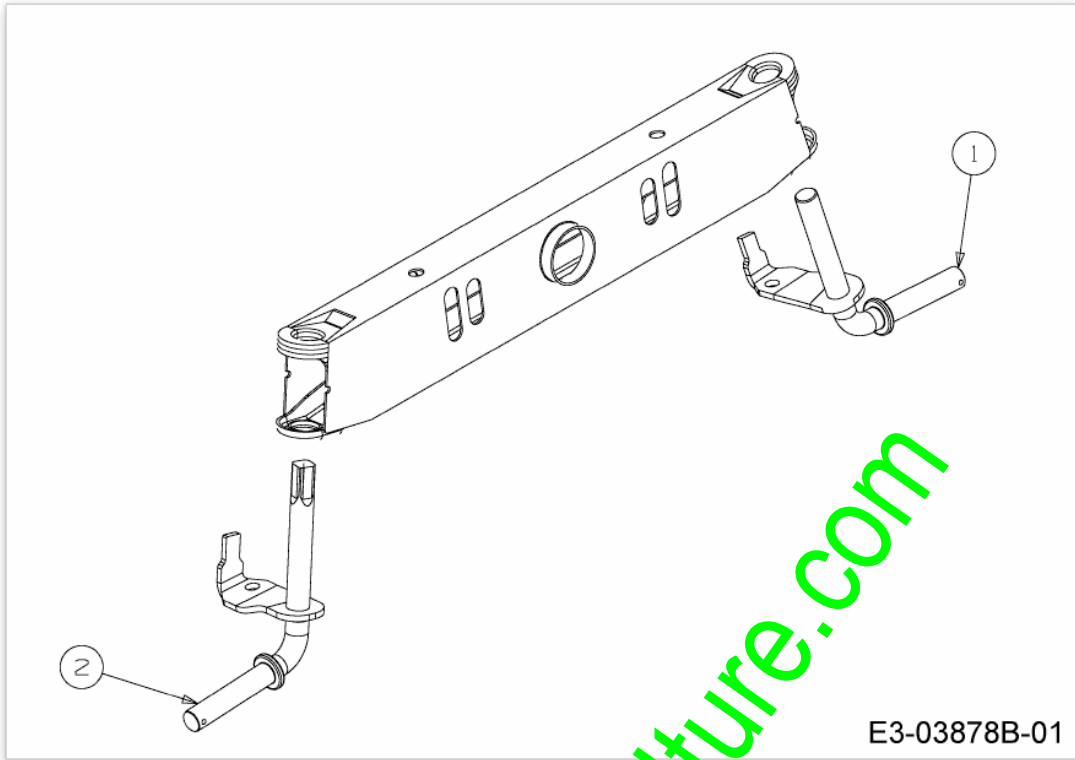


[www.emc-motoculture.com](http://www.emc-motoculture.com)

Position	Numéro de pièce	#	Appellation I	Appellation II
1	617-04094	1	SEGMENT DE DIRECTION	SCHWEISSTEIL:PHOS & OIL
2	710-0514	1	VIS HEX.:3/8-16:1.00:GR5:STD	FINISH:MTD SPEC-100015
3	710-0643	1	VIS HEX.: 5/16-18:1.00:GR5	FINISH:MTD SPEC-100015
4	710-1309	1	VIS	FINISH:MTD SPEC-100015
5	710-3180	1	VIS HEX. 5/16-18:1.75:GR5:STD	FINISH:SPEC-100015
6	712-0214	1	ECROU	FINISH:SPEC-100015
7	712-0240	1	ECROU HEX.: 7/16-20:GR2	FINISH:MTD SPEC-100015
8	712-04063	3	ECROU HEX. AVEC FLANC	FINISH:MTD SPEC-100015
9	712-0431	1	ECROU STOP 3/8-16:GRF	FINISH:MTD SPEC-100015
10	723-0448A	1	ROTULE DE DIRECTION 7/16-20	FINISH:MTD SPEC-100015
11	732-04650	1	RONDELLE ÜLASTIQUE	FINISH:ÖL GEDIPPT
12	736-0242	1	RONDELLE CONIQUE.340X.872X.060	FINISH:MTD SPEC-100016
13	736-0331	1	RONDELLE CONIQUE	FINISH:MTD SPEC-100016
15	738-04141	1	AXE	FINISH:SPEC-100015
16	738-05078	1	ARBRE DE DIRECTION	FINISH:PHOS & OIL
17	741-04124	1	PALIER DE BRIDE	FINISH:PLAIN
18	747-05385A	1	TRINGLE DE DIRECTION	FINISH:MTD SPEC 701-01007
19	748-0389	1	BAGUE	FINISH:GEÖLT
20	748-04068	1	DOUILLE .71IDX.125.ØBY 16 LG	FINISH:SPEC-100015
21	748-04278-Z	1	BIELETTE DE DIRECTION	FINISH:MTD-SPEC-100015
22	750-06192A	1	ENTRETOISE	FINISH:DAMPFBEBANDELT
23	783-08577A	1	PLAQUE DE SEGMENT	FINISH:PHOS&OIL or SPEC-100015

www.emc-motoculture.com



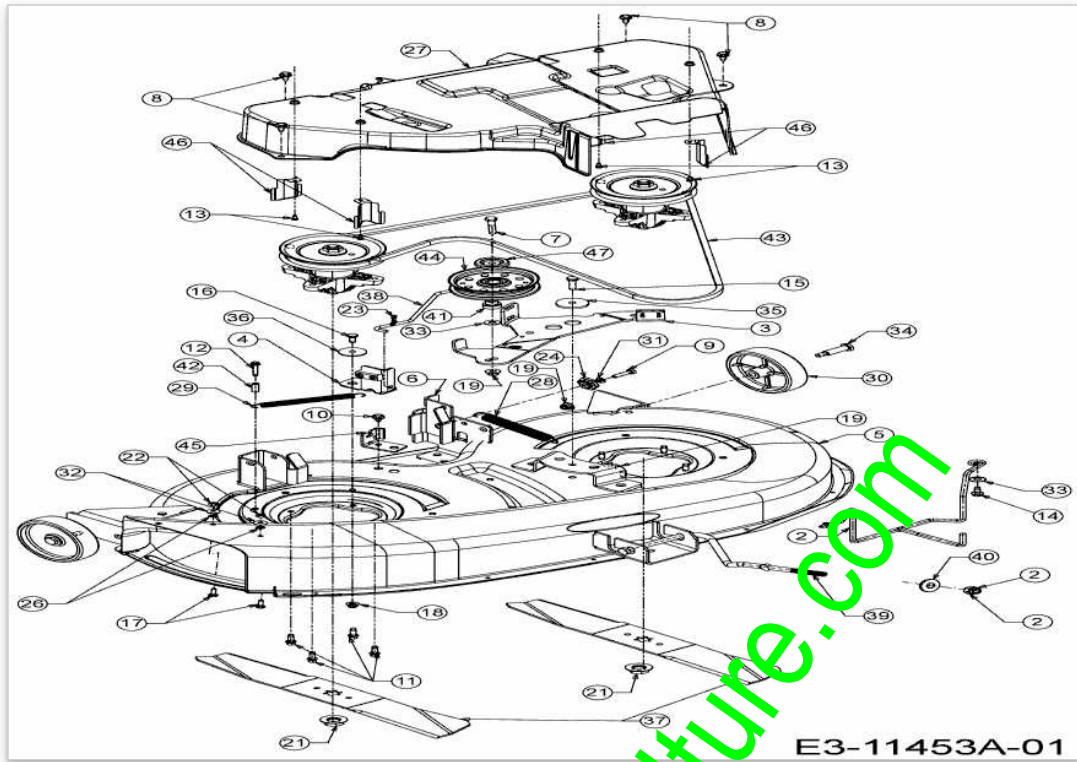


E3-03878B-01

[www.emc-motoculture.com](http://www.emc-motoculture.com)

Position	Numéro de lapièce	#	Appellation I	Appellation II
1	638-04007A-S	1	FUSEE GAUCHE	FINISH:LACKIERT MTD QUALITÄT
2	638-04008637	1	FUSEE DROITE	SCHWARZ LACKIERT

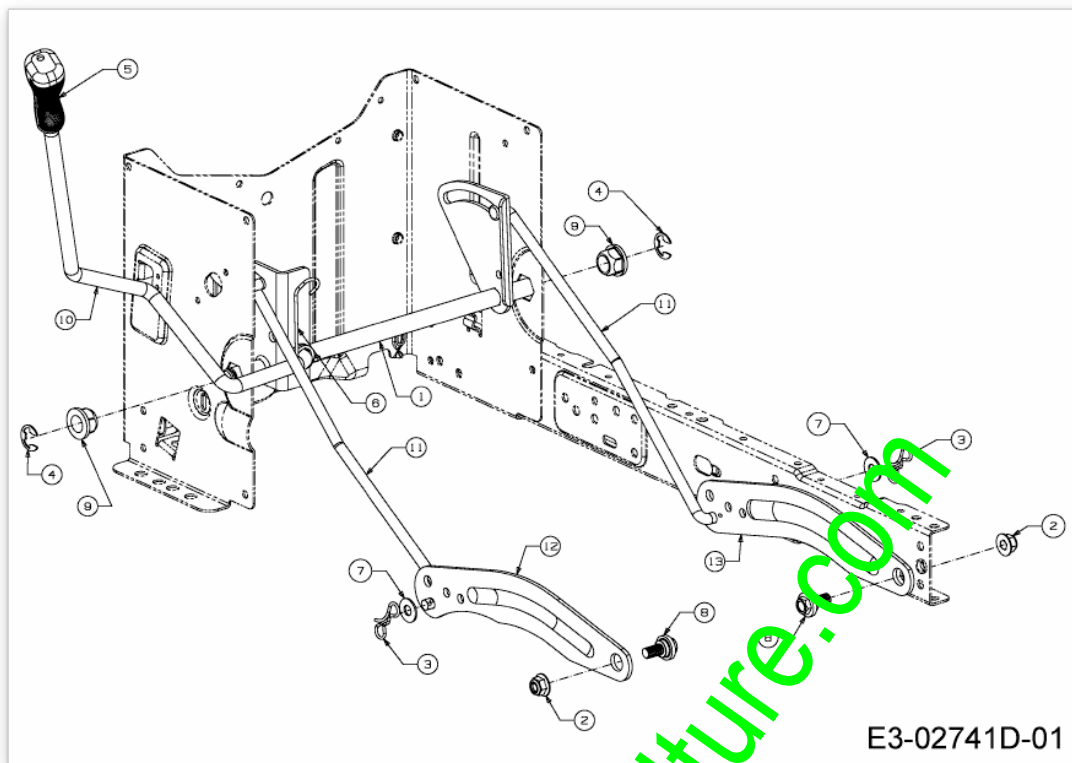
[www.emc-motoculture.com](http://www.emc-motoculture.com)



Position	Numéro de lapièce	#	Appellation I	Appellation II
1	618-04474B	2	PALIER DE LAME COMPLET	FINISH:
2	647-05053A	1	GUIDE COURROIE	SCHWEISSTEIL:647-05053A-Z
3	683-04138C	1	FREIN DE LAME GA COMPLET	683-04138C
4	683-04167	1	BRAKE ASM: DECK: LT5	
5	683-04264C-S	1	CARTER DE COUPE 96CM	683-04264C-S
6	683-0254B637	1	SUPPORT	683-0254B-0637
7	710-0347	1	VIS HEX. 3/8-16:1.75:GR5:STD	FINISH:MTD SPEC-100015
8	710-04484	4	VIS HEX. TT:5/16-18:.750:HXIND	FINISH:MTD SPEC-100016 TYPE 1
9	710-0528	1	VIS HEX. 5/16-18:1.25:GR5:STD	FINISH:SPEC-100015 910-0528
10	710-0604A	1	VIS 5/16-18:0.625	FINISH:MTD SPEC-100016 TYPE 1
11	710-06322	8	VIS	FINISH:SPEC-100016 TYPE 1
12	710-0778	1	VIS HEX. TT:1/4-20:1.500	FINISH:MTD SPEC-100016 TYPE 1
13	710-0919	4	VIS HEX. B:#10-16:0440:HEX	FINISH:MTD SPEC-100016 TYPE 1
14	710-1260A	1	VIS TT:5/16-18:.750	FINISH:SPEC-100016 TYPE 1
15	710-3005	1	VIS HEX.HHCS:3/8-16:1.25GR5STD	FINISH:MTD SPEC-100015
16	710-3008	1	VIS 5/16-18:.75:GR5:STD	SPEC-701-01006 or.SPEC-100015
17	710-3015	2	VIS:1/4-20:.75:GR5:STD	FINISH:MTD SPEC-100015
18	712-04063	1	ECROU HEX. AVEC FLANC	FINISH:MTD SPEC-100015
19	712-04065	4	ECROU HEXAGONAL	FINISH:SPEC-100015 912-04065
20	712-04243	1	ECROU	FINISH:MTD SPEC-100015
21	712-05134	2	ECROU	FINISH:MTD SPEC-100015+WAX
22	712-3006	2	ECROU HEXAGONAL	FINISH:SPEC-100015
23	714-04040	1	GOUPILLE	FINISH:ASTM F1941 FE/ZN 3AN
24	717-04074	1	PIGNON HAUTEUR PLATEAU	PHOS & SPEC-100015 917-04074
26	726-0233	2	RONDELLE	MECHANISCH KLAR VERZINKT
27	731-05699C	1	COUVERCLE DE PLATEAU 96CM	FINISH:SCHWARZ
28	732-04280B	1	RESSORT .75 OD X 6.375LG	FINISH:MTD STD 701-01006
29	732-04287	1	RESSORT	SPEC 701-01006 OR SPEC-100015
30	734-06265	2	ROULETTE DE PLATEAU	FINISH:KUNSTSTOFF SCHWARZ
31	736-0119	1	RONDELLE	FINISH:MTD SPEC-100016
32	736-0270	2	RONDELLE GROWER	FINISH:MTD SPEC-100016
33	736-0300	2	RONDELLE	FINISH:MTD SPEC-100015
34	738-0373	2	VIS A EPAULE .496x1.525:3/8-16	FINISH:MTD SPEC-100015
35	738-04162C	1	RONDELLE EPAULEE	FINISH:DAMPFBEHANDELT
36	738-04166	1	ENTRETOISE .5000 X .1475	FINISH: IN ÖL GETAUCHT
37	742-0675	2	LAME PLATE COUPE 96 CM	742-0675-637 942-0675
38	747-04381	1	TIGE DE FREIN 38"	FINISH:SPEC:100015
39	747-07770	1	TRINGLE	FINISH:PLAIN/747-07770-Z
40	748-04069A	1	RONDELLE	FINISH:MTD SPEC-100015
41	748-05029A	1	ENTRETOISE	SPANNROLLE:DAMPFBEHANDELT
42	750-0566A	1	ENTRETOISE	FINISH:MTD SPEC-100015

Position	Numéro de lapièce	#	Appellation I	Appellation II
43	754-04062	1	COURROIE DE COUPE 96 CM	12,7 x 1975
44	756-05042	1	POULIE TENDEUR	KUGELGELAGERT
45	783-04740	1	FÜHRUNGSBL: BOWDENZUG: DECKBETÄT	FINISH: LACKIERT
46	783-05497	4	BLECH: KEILRIEMENFÜHRUNG	FINISH: TROMMELVERZINKT
47	783-08389	1	PROTECTION DE POULIE	FINISH: PLAIN

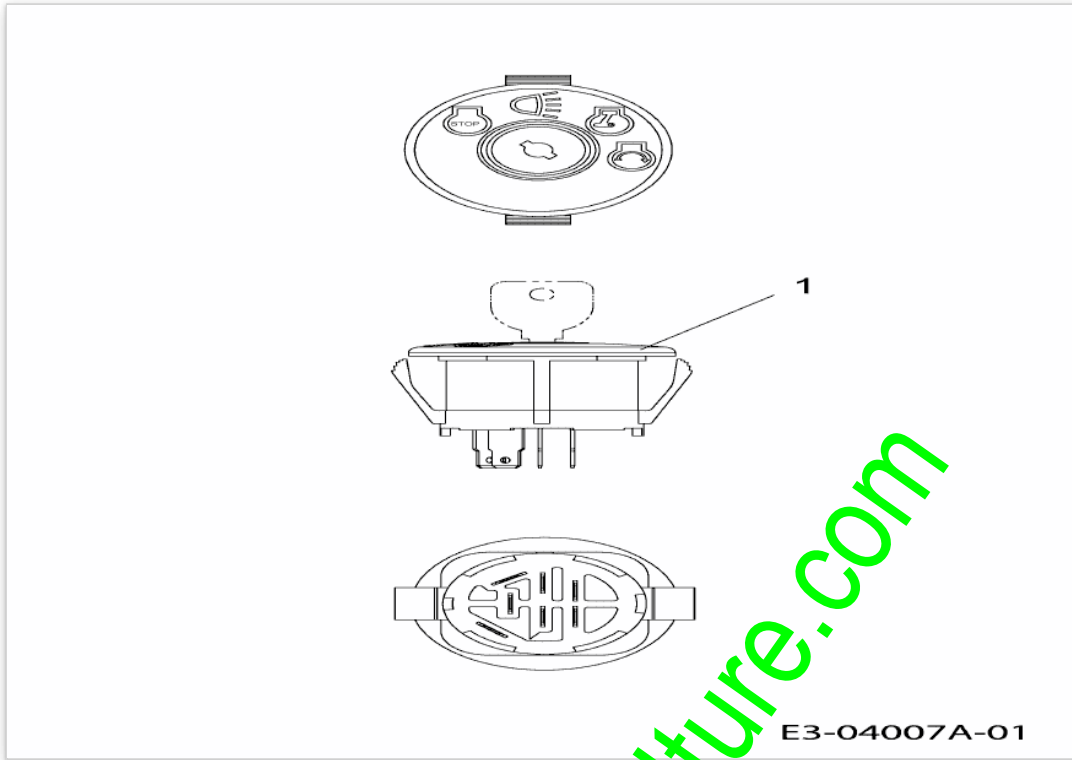
[www.emc-motoculture.com](http://www.emc-motoculture.com)



[www.emc-motoculture.com](http://www.emc-motoculture.com)

Position	Numéro de pièce	#	Appellation I	Appellation II
1	683-04155A-S	1	ARBRE CPL.:LEVÉE LT-5	SCHWARZ
2	712-04065	2	ECROU HEXAGONAL	FINISH:SPEC-100015 912-04065
3	714-04043	2	GOUPILLE	FINISH:VERZINKT
4	716-0106A	2	CIRCLIPS	FINISH:PHOSPHATIERT
5	720-0311	1	POIGNÜE LEVIER COUPE : 1/2	FARBE:SCHWARZ VINYL
6	732-04225	1	RESSORT	FINISH:MTD STD 701-01006
7	736-0267	2	RONDELLE PL.:.385 x.87 x.06:HT	701-01001 OPTIONAL SPEC-100015
8	738-04130A	2	VIS EPAULEE	FINISH:SPEC-100016 TYPE 1
9	741-0225	2	BAGUE HEXAGONALE TEFLON 6 PANS	FINISH:KUNSTSTOFF SCHWARZ
10	747-04282	1	LEVIER DE RELEVAGE :LT-5	FINISH:SPEC-100015
11	747-04393	2	TRINGLE DE RELEVAGE	FINISH:MTD SPEC-100015
12	783-04494C-S	1	LEVIER DE RELEVAGE DROITE	SCHWARZ
13	783-04711C-S	1	BRAS DE RELEVAGE GAUCHE	SCHWARZ

[www.emc-motoculture.com](http://www.emc-motoculture.com)



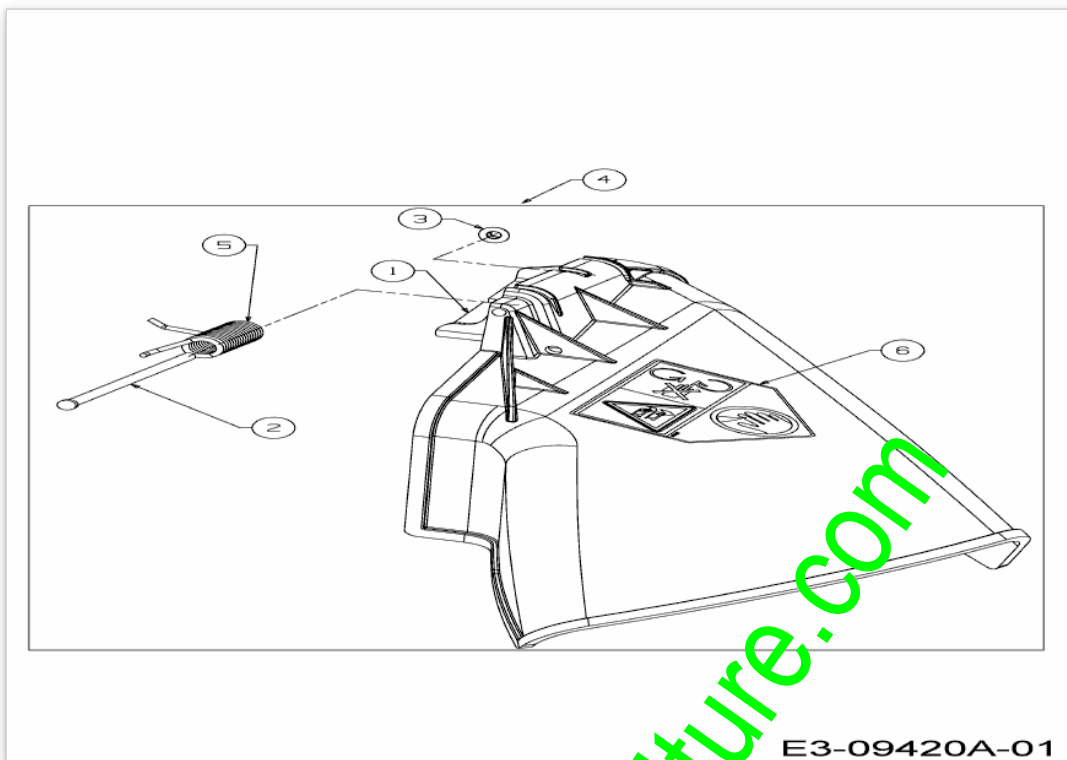
E3-04007A-01

[www.emc-motoculture.com](http://www.emc-motoculture.com)



Position	Numéro de pièce	#	Appellation I	Appellation II
1	725-1741	1	CONTACTEUR A CLE	FINISH: 925-1741

[www.emc-motoculture.com](http://www.emc-motoculture.com)

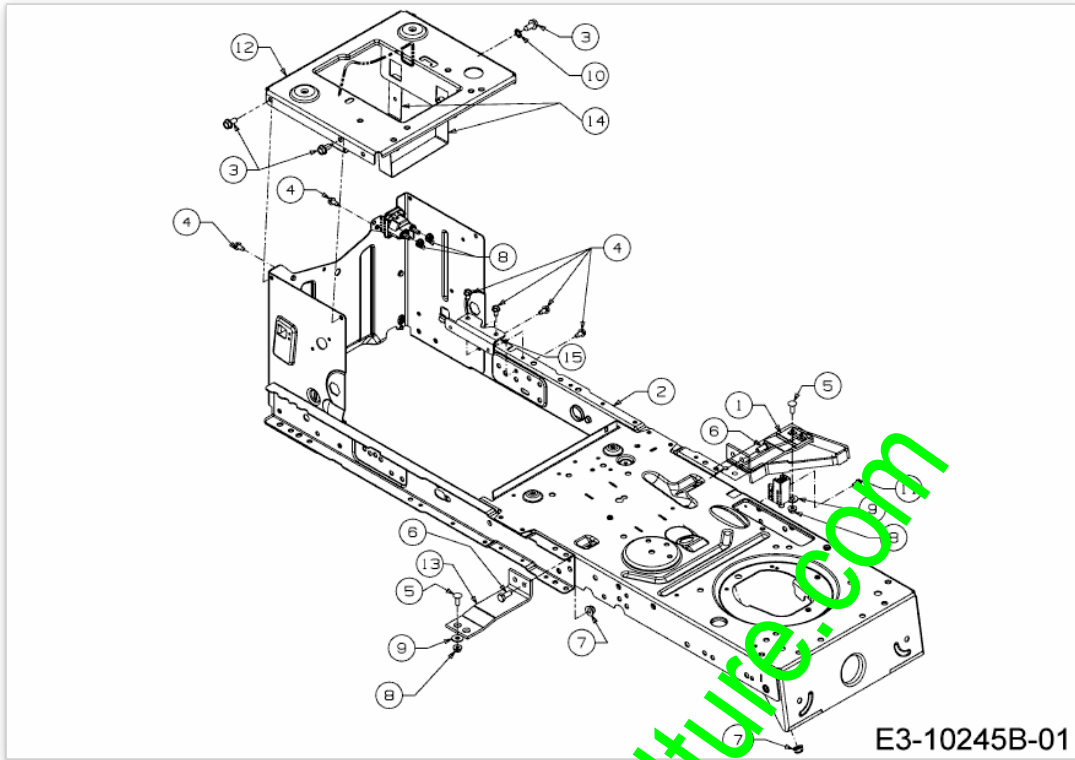


E3-09420A-01

[www.emc-motoculture.com](http://www.emc-motoculture.com)

Position	Numéro de pièce	#	Appellation I	Appellation II
1	703-1693A	1	SUPPORT DE DEFLECTEUR	FINISH:BLAU CHROMATIERT *
2	711-0792	1	GOUJON	MTD SPEC-100015 911-0792
3	726-0106	1	COUVERCLE 1/4 "	FINISH:MTD SPEC-100016
4	731-2631	1	DEFLECTEUR	FINISH:KUNSTSTOFF SCHWARZ
5	732-04537	1	RESSORT	FINISH:MTD SPEC-100015
6	777S35298	1	AUTOCOLLANT DE DEFLECTEUR	

[www.emc-motoculture.com](http://www.emc-motoculture.com)

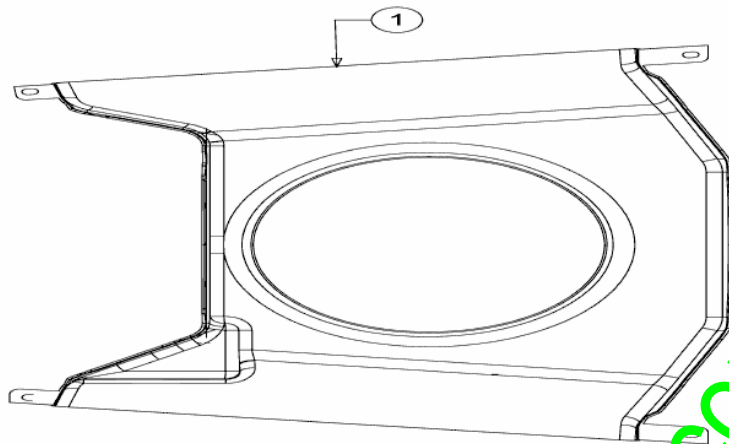


www.emc-motoculture.com

Position	Numéro de pièce	#	Appellation I	Appellation II
1	783-04637637	1	SUPPORT	SCHWARZ LACKIERT
2	683-05139637	1	RAHMEN VOLLST:RDR LT-5	FINISH:LACKIERT MTD QUALITÄT
3	710-04484	4	VIS HEX. TT:5/16-18.:750:HXIND	FINISH:MTD SPEC-100016 TYPE 1
4	710-0599	6	VIS A SIX PANS CREUX	FINISH:MTD SPEC-101617
5	710-0703	2	VIS	FINISH:MTD SPEC-100015
6	710-3008	2	VIS 5/16-18.:75:GR5:STD	SPEC-701-01006 or.SPEC-100015
7	712-04063	3	ECROU HEX. AVEC FLANC	FINISH:MTD SPEC-100015
8	712-04064	4	ECROU HEXAGONAL	FINISH:SPEC-100015 912-04064
9	736-0173	2	RONDELLE 281DX 74ODX.063	FINISH:MTD SPEC-100015
10	736-0607	1	RONDELLE	FINISH:MTD SPEC-100016
11	738-04237A	1	AXE EPAULE	FINISH:MTD SPEC-100016
12	783-04548D-S	1	SUPPORT DE SIEGE	SCHWARZ
13	783-04637637	1	SUPPORT	SCHWARZ LACKIERT
14	783-04869A-S	2	SUPPORT BATTERIE	SCHWARZ
15	783-05389A-S	1	SUPPORT	FINISH:LACKIERT MTD QUALITÄT

[www.emc-motoculture.com](http://www.emc-motoculture.com)

ab 03/01/2018  
from 01/03/2018  
à partir du 03/01/2018

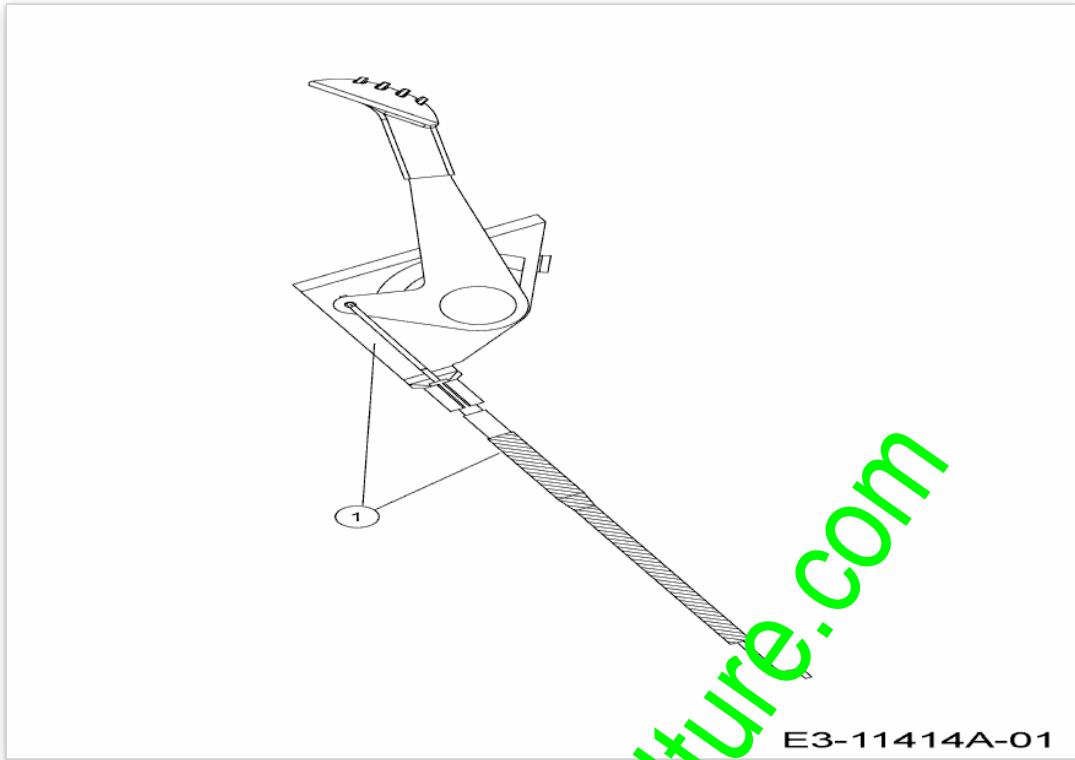


E3-00116A-01

[www.emc-motoculture.com](http://www.emc-motoculture.com)

Position	Numéro de pièce	#	Appellation I	Appellation II
1	731-09328	1	CONDUIT D AIR	FINISH:PLAIN

[www.emc-motoculture.com](http://www.emc-motoculture.com)

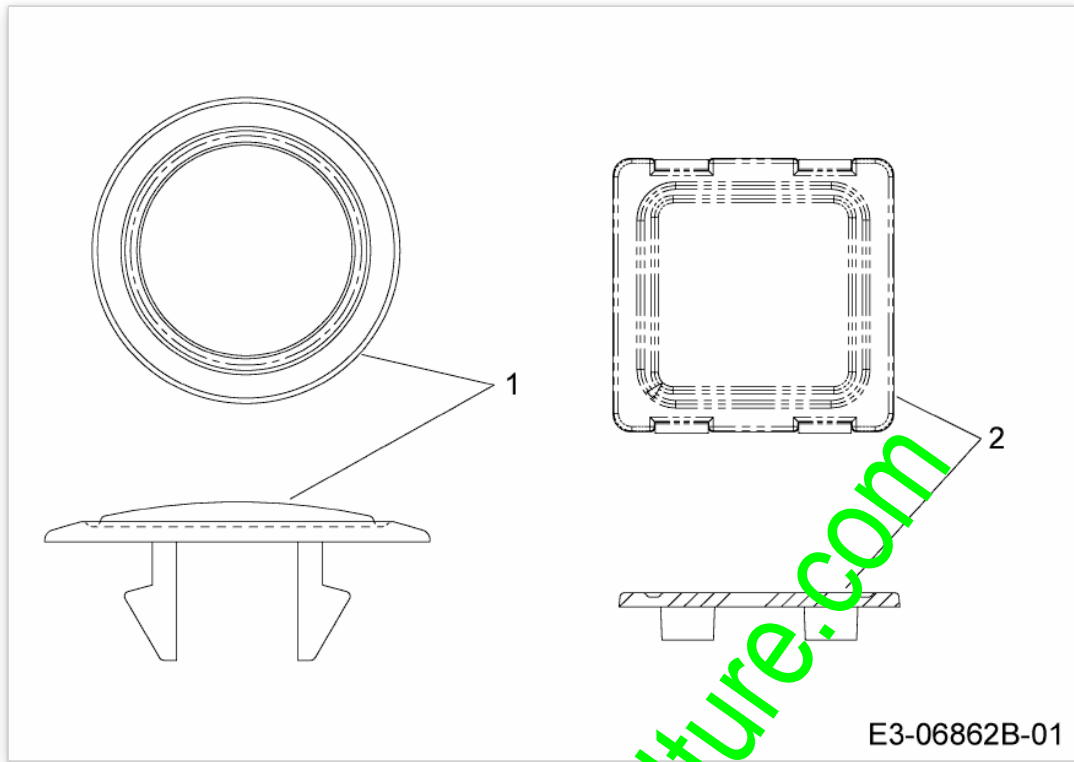


[www.emc-motoculture.com](http://www.emc-motoculture.com)



Position	Numéro de lapièce	#	Appellation I	Appellation II
1	746-05049A	1	CABLE GAZ	MIT BEDIENUNGSHEBEL

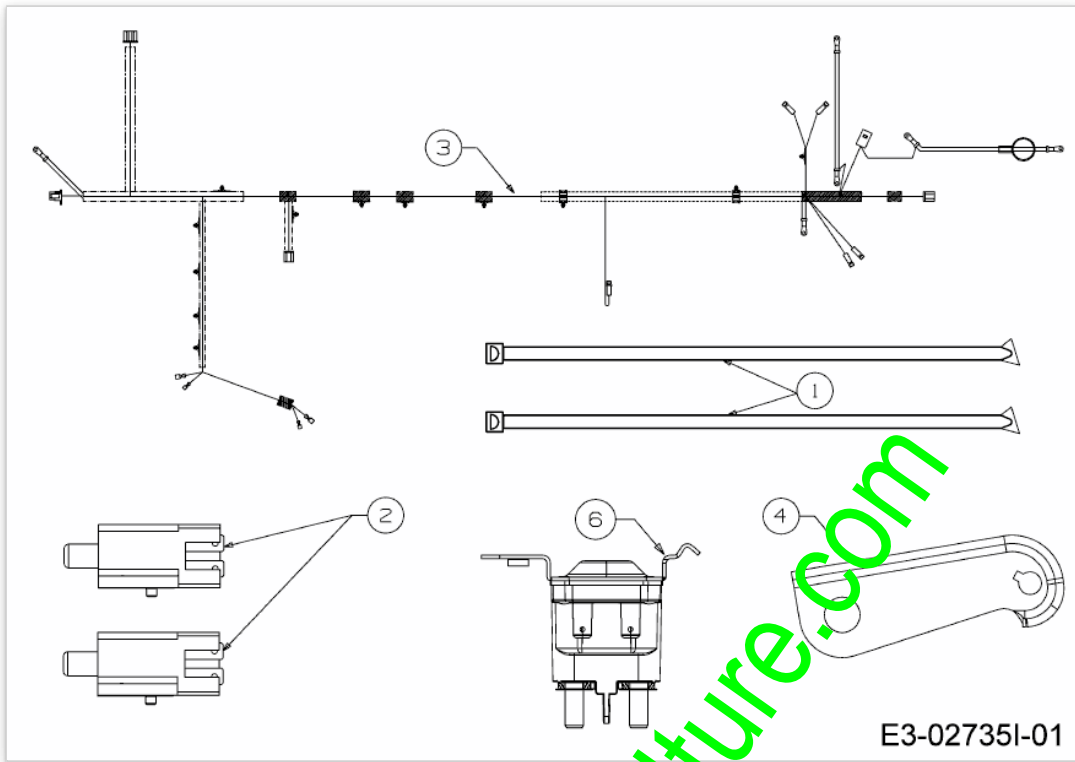
[www.emc-motoculture.com](http://www.emc-motoculture.com)



E3-06862B-01

Position	Numéro de pièce	#	Appellation I	Appellation II
1	731-05265	1	VERSCHLUSSSTOPFEN:CHOKE LT-5	FINISH:SCHWARZ
2	731-05232	1	CACHE AMPERMETRE	FINISH:KUNSTSTOFF SCHWARZ

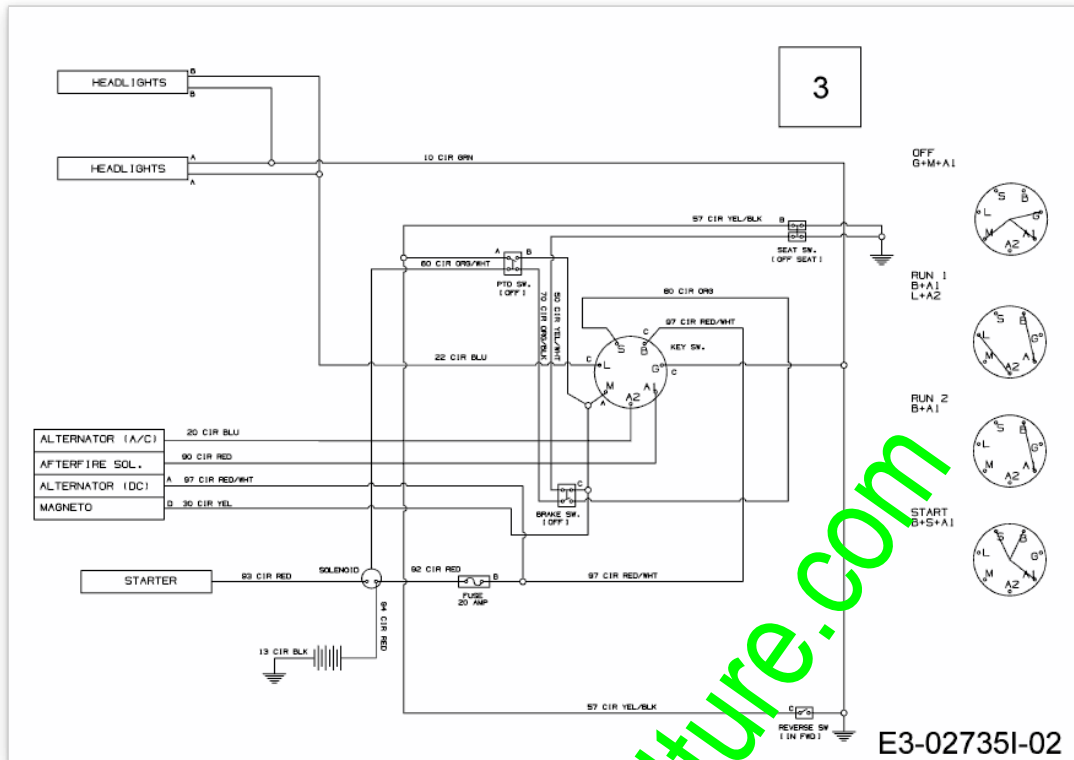
[www.emc-motoculture.com](http://www.emc-motoculture.com)



[www.emc-motoculture.com](http://www.emc-motoculture.com)

Position	Numéro de pièce	#	Appellation I	Appellation II
1	725-0157	4	COLLIER DE SERRAGE3/16X0.5X7.4	MATERIAL:NYLON-SCHWARZ
2	725-04363	2	SECURITE EMBRAYAGE	FINISH:SIEHE ZG.
3	725-04433G	1	FAISCEAU COMPLET	FINISH
4	783-06991	1	SUPPORT	SD-TR./HYDRO:783-06991-Z
6	725-04439A	1	SOLENOIDE	12V:100 AMP

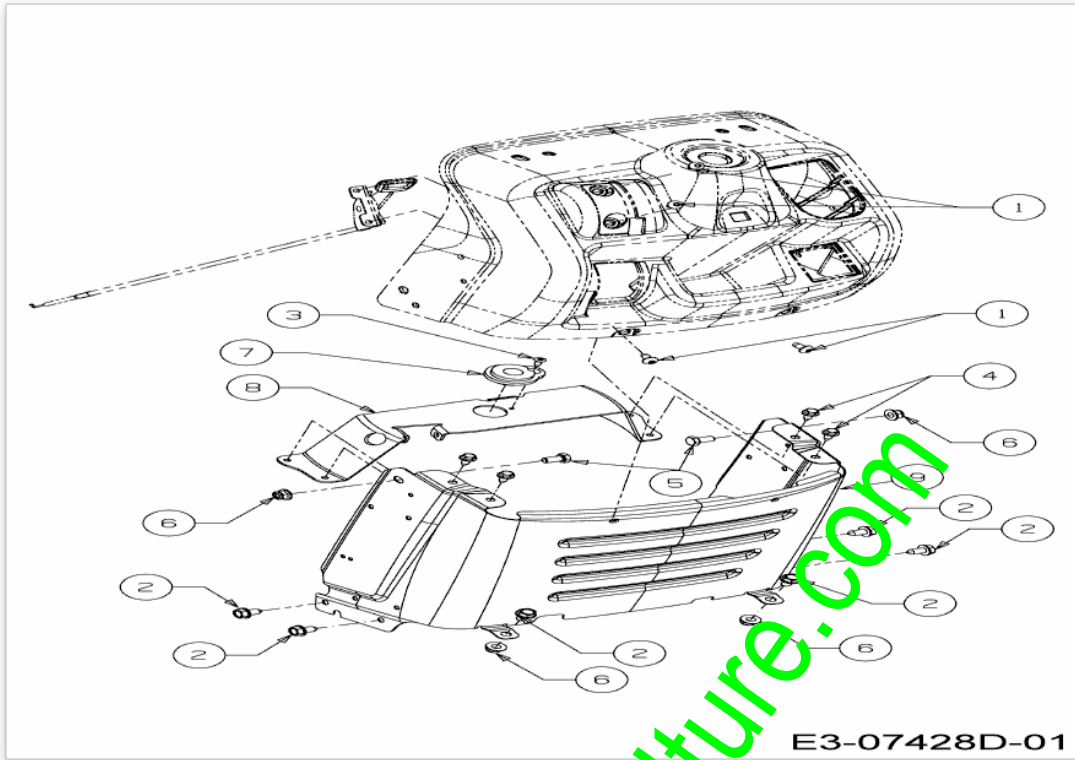
[www.emc-motoculture.com](http://www.emc-motoculture.com)



www.emc-motoculture.com

Position	Numéro de pièce	#	Appellation I	Appellation II
3	725-04433G	1	FAISCEAU COMPLET	FINISH

[www.emc-motoculture.com](http://www.emc-motoculture.com)

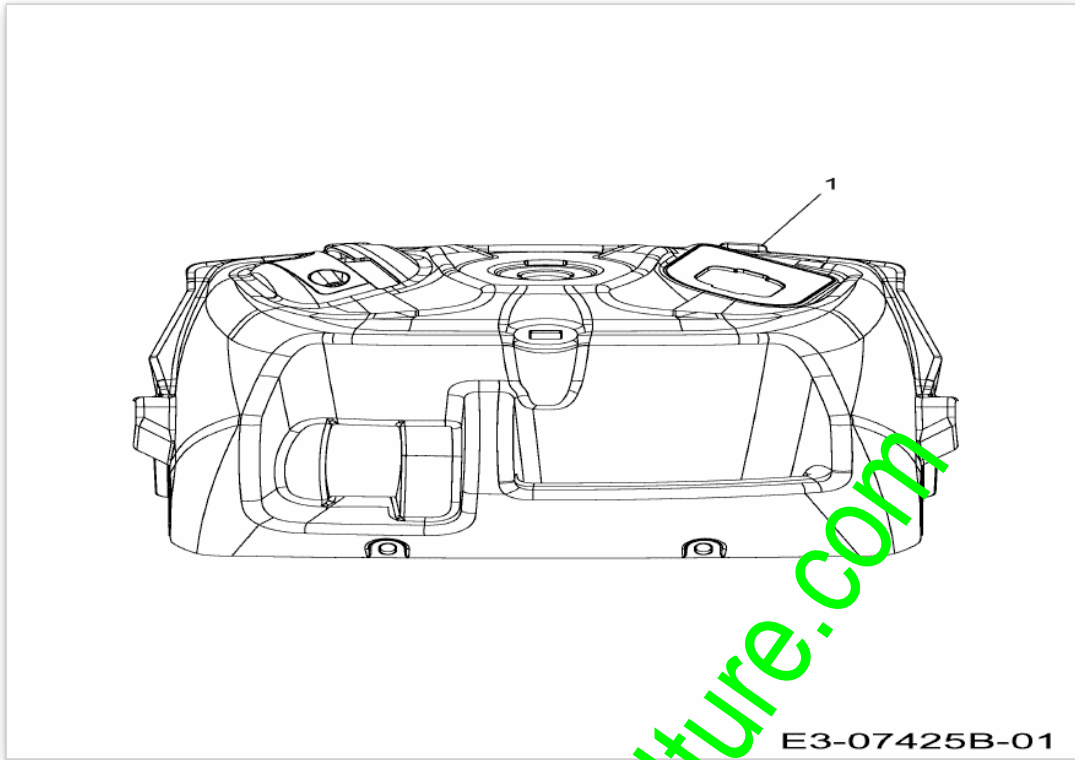


www.emc-motoculture.com



Position	Numéro de lapièce	#	Appellation I	Appellation II
1	710-05070	4	VIS	FINISH: SCHWARZ SPEC 701-01010
2	710-0604A	6	VIS 5/16-18:0.625	FINISH: MTD SPEC-100016 TYPE 1
3	710-0837	1	VIS	FINISH: MTD SPEC-100016 TYPE 1
4	710-1652	4	VIS HEX. TT:1/4-20:.625:HXINDW	FINISH: MTD-SPEC-100016 TYPE 1
5	710-3025	2	VIS	FINISH: MTD SPEC-100015
6	712-04063	4	ECROU HEX. AVEC FLANC	FINISH: MTD SPEC-100015
7	741-0587	1	SUPPORT	FINISH: NATUR
8	783-06785C-S	1	SUPPORT TABLEAU DE BORD	SCHWARZ
9	783-06811E-S	1	TABLEAU DE BORD INFERIEUR	FINISH: LACKIERT MTD QUALITÄT

[www.emc-motoculture.com](http://www.emc-motoculture.com)

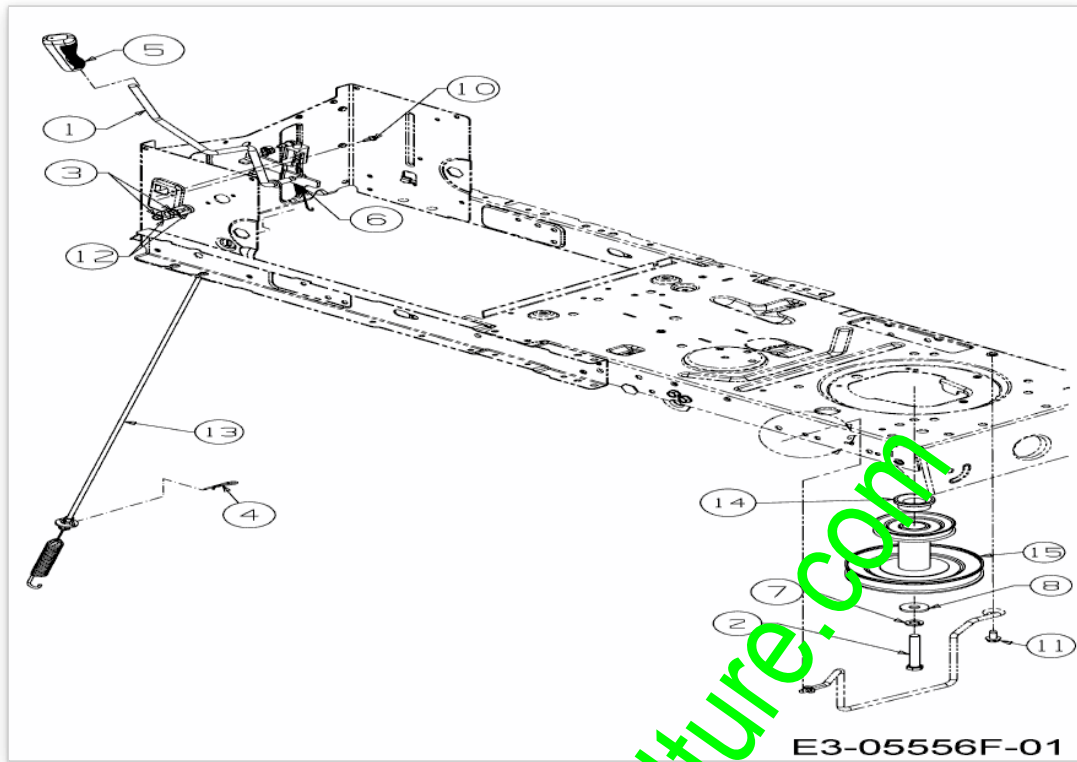


E3-07425B-01

[www.emc-motoculture.com](http://www.emc-motoculture.com)

Position	Numéro de pièce	#	Appellation I	Appellation II
1	731-08054A	1	TABLEAU DE BORD	FINISH:KUNSTSTOFF SCHWARZ

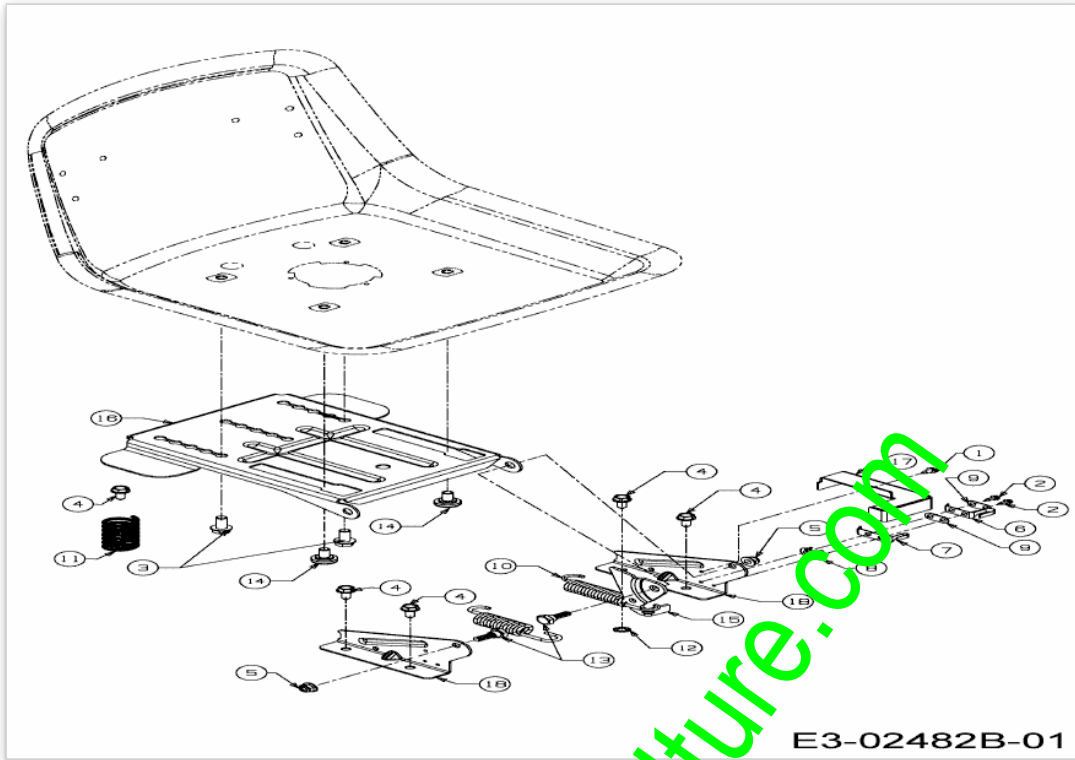
[www.emc-motoculture.com](http://www.emc-motoculture.com)



[www.emc-motoculture.com](http://www.emc-motoculture.com)

Position	Numéro de pièce	#	Appellation I	Appellation II
1	647-05041	1		
2	710-04608	1	VIS HEX. HHCS:7/16-20:3.25:GR5	FINISH:MTD SPEC-100015
3	710-0599	2	VIS A SIX PANS CREUX	FINISH:MTD SPEC-101617
4	714-0145	1	GOUPILLE	FINISH:SPEC-701-01006
5	720-04049A	1	POIGNEE PLASTIQUE	FINISH:SCHWARZ
6	732-05376	1	RESSORT LEVIER PTO	FINISH:MTD SPEC-701-01006
7	736-0171	1	RONDELLE GROWER	FINISH:MTD SPEC-100016
8	736-0322	1	RONDELLE .450 X 1.250 X .164	FINISH:SPEC-100016 936-0322
10	738-04237A	1	AXE EPAULE	FINISH:MTD SPEC-100016
11	738-04425	1	AXE EPAULE	FINISH:MTD SPEC-100016
12	741-04119A	2	SUPPORT PLASTIQUE	KUNSTSTOFF:SCHWARZ
13	746-05436	1	CABLE D EMBRAYAGE	VERKAPSELT
14	750-0956	1	ENTRETOISE	FINISH:PLAIN
15	756-06063	1	DBL-RIEMENSCHLEIB:MTR:3.56x6.12	HYDRO:EU:FINISH SPEC-100015

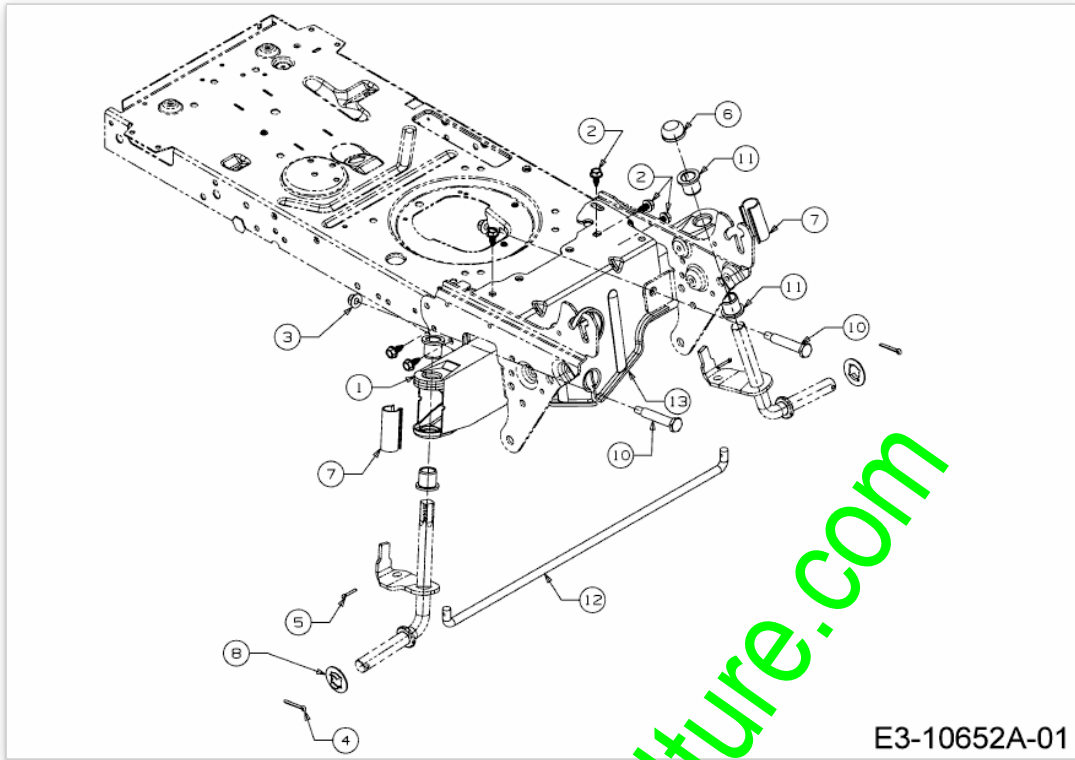
www.emc-motoculture.com



[www.emc-motoculture.com](http://www.emc-motoculture.com)

Position	Numéro de lapièce	#	Appellation I	Appellation II
1	710-0224	1	VIS PARK:#10-16:0.500:HXINDWSH	FINISH:MTD SPEC-100016 TYPE 1
2	710-0227	2	VIS	FINISH:MTD SPEC-100016 TYPE 1
3	710-04482	2	VIS:3/8-16:.875:GR5:STD	FINISH:MTD SPEC-100015
4	710-04484	6	VIS HEX. TT:5/16-18:.750:HXIND	FINISH:MTD SPEC-100016 TYPE 1
5	712-04063	2	ECROU HEX. AVEC FLANC	FINISH:MTD SPEC-100015
6	725-1303	1	RESSORT DE SURETE SIËGE	SI.-SCHALTER SITZ:SPEC-100015
7	725-1439	1	RESSORT SURETE DE SIEGE	SI.-SCHALTER SITZ:SPEC-100015
8	726-0278	1	PLAQUE D'ISOLATION	FINISH:NATUR ODER SCHWARZ
9	726-0279	2	PLAQUE D'ISOLATION	FINISH:NATUR ODER SCHWARZ
10	732-04309	1	RESSORT	FINISH:MTD STD 701-01006
11	732-0735A	2	RESSORT DE SIEGE	FINISH:MTD SPEC 101616
12	736-0607	1	RONDELLE	FINISH:MTD SPEC-100016
13	738-0296	2	AXE EPAULE	FINISH:SPEC-100015
14	738-04012C	2	AXE EPAULE	FINISH:SPEC-100015
15	783-0209D	1	SUPP. SIËGE	FINISH:SPEC-100016
16	783-04081D-S	1	PLAQUE DE SIEGE NOIRE	SCHWARZ
17	783-04877A	1	783-06279	FINISH:LACKIERT
18	783-1489D	2	783-1489B-4015 / FEUERROTC	

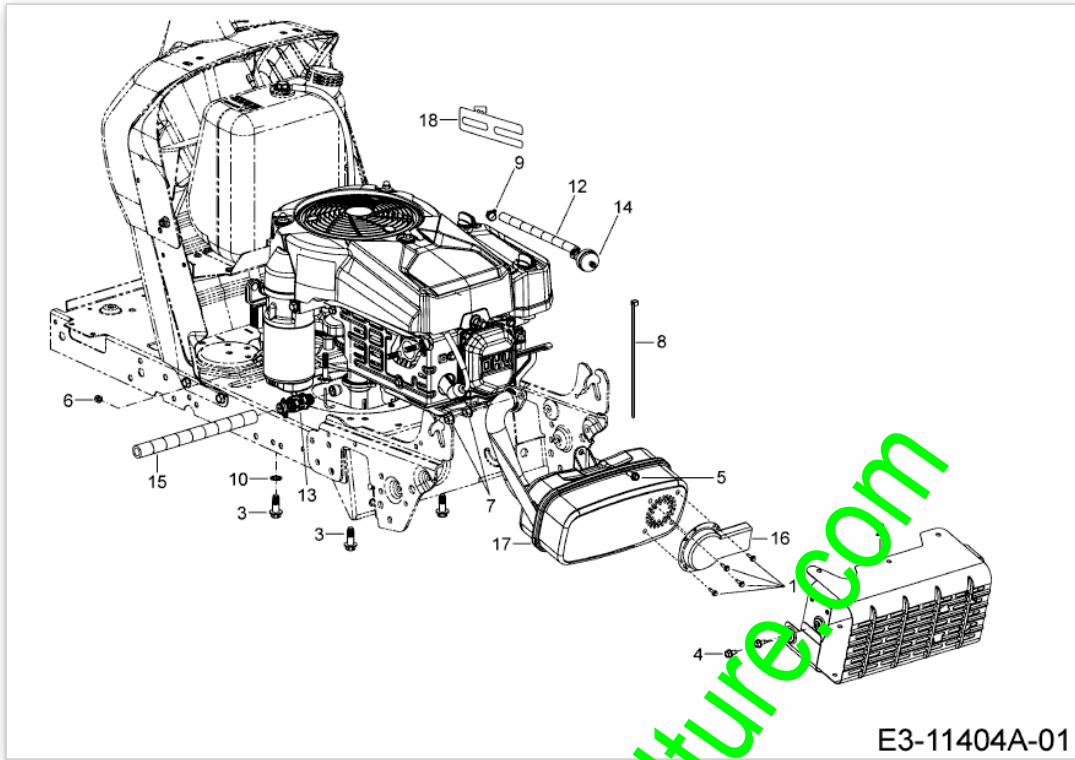
www.emc-motoculture.com





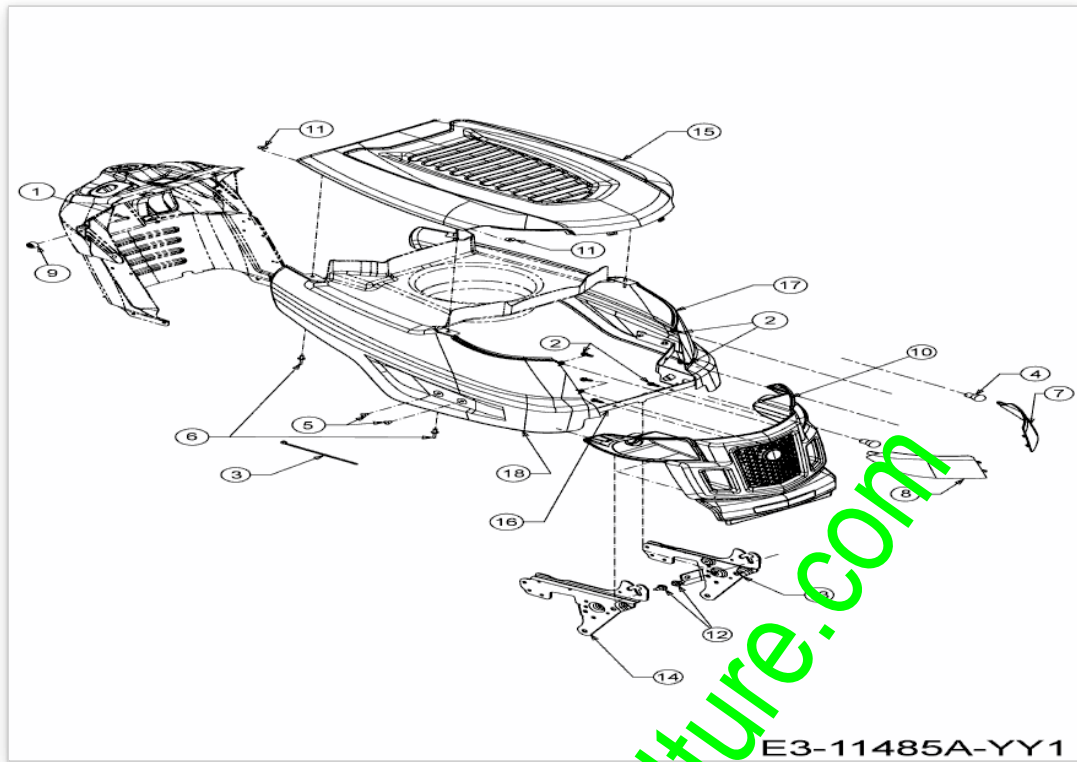
Position	Numéro de pièce	#	Appellation I	Appellation II
1	683-0128B637	1	ESSIEU AVANT	SCHWARZ GEPULVERT
2	710-04484	6	VIS HEX. TT:5/16-18:.750:HXIND	FINISH:MTD SPEC-100016 TYPE 1
3	712-04065	2	ECROU HEXAGONAL	FINISH:SPEC-100015 912-04065
4	714-0162	2	GOUPILLE FENDUE 5/32:1.25	FINISH:MTD SPEC-100015
5	714-0474	2	GOUPILLE	FINISH:MTD SPEC-100015
6	726-0341	1	CAPUCHON CLIPS	FINISH:SCHWARZ
7	731-04057A	2	PALIER DE GRAISSAGE	LT5:MATERIAL PP SCHWARZ
8	736-04228B	2	RONDELLE	SPECIAL:FINISH SPEC-701-100015
10	738-04128	2	VIS A EPAULE .500x2.38:3/8-16	FINISH:MTD SPEC-100015
11	741-0660A	4	BAGUE ESSIEU DE ROUE	FINISH:KUNSTSTOFF SCHWARZ
12	747-04299A	1	TRINGLE DE DIRECTION	FINISH:SPEC-100015 or E-Coat
13	783-05326B-S	1	SUPPORT AVANT	FINISH:LACKIERT MTD QUALITÄT

[www.emc-motoculture.com](http://www.emc-motoculture.com)



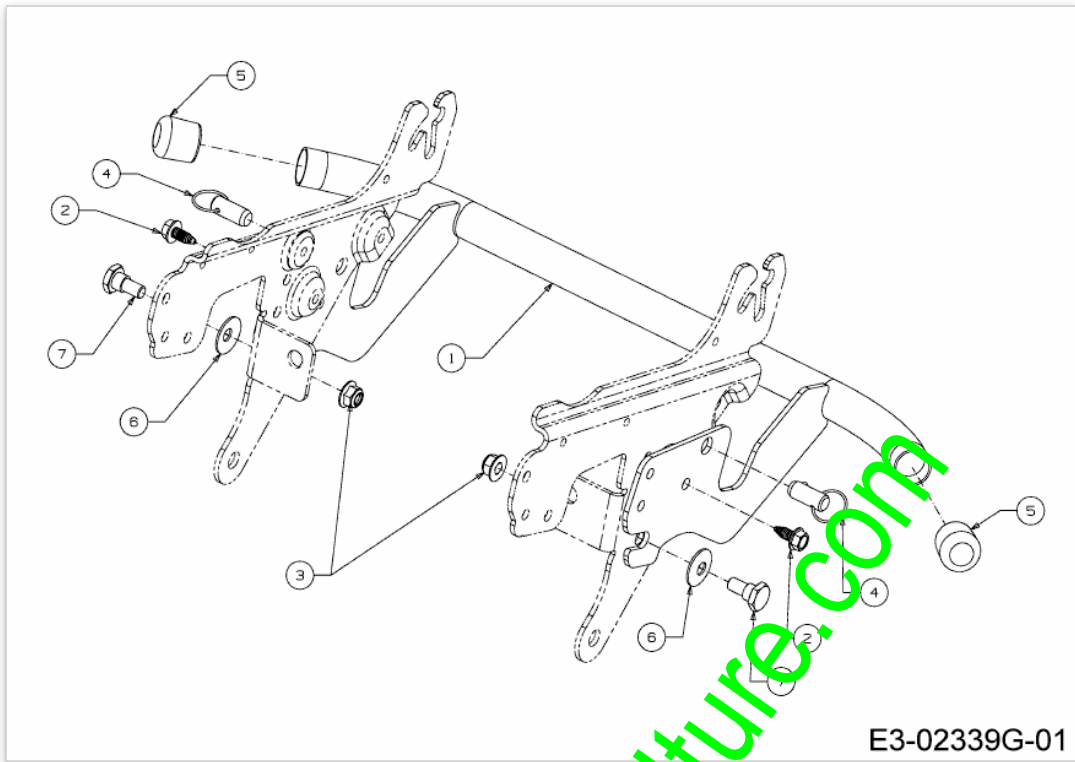
Position	Numéro de pièce	#	Appellation I	Appellation II
1	710-06625	4	VIS 8-32X0.47:HXWSH	FINISH:ASTM F1137 GRADE D
2	683-05460637	1	PROTECTION D ECHAPPEMENT NOIR	SCHWARZ
3	710-04683C	4	VIS	FINISH:SIEHE ZG.
4	710-0599	4	VIS A SIX PANS CREUX	FINISH:MTD SPEC-101617
5	710-0642	1	VIS1/4-20:0.750	SPEC-100016 TYPE 1 910-0642
6	712-0642	1	ECROU DE SECURITE:M5-0.8	FINISH:DIN 6926
7	712-3086	2	ECROU/FLANC: M8-1.25	FINISH:MTD SPEC-100015
8	725-0157	2	COLLIER DE SERRAGE3/16X0.5X7.4	MATERIAL:NYLON-SCHWARZ
9	726-0205	2	COLLIER DE SERRAGE DE BOYAU	FINISH:PHOS UND GELB LACKIERT
10	736-0148	1	RONDELLE	FINISH:MTD SPEC-100016
12	751-0535	7	TUYAU ESSENCE NOIR	Ø12,7+/-0,84 / Ø6,35+/-0,41
13	751-10517A	1	DRAINAGE D'HUILE	FINISH:SIEHE ZG.
14	751-3013	1	FILTRE ESSENCE	COLOR:RED 951-3013
15	751-3141	9	TUYAU VIDANGE	1/3 X 3:FINISH KLAR METERWARE
16	751-11053B	1	DEFLEKTOR:AUSPUFF	LANGER ABGASKANAL:ALUMINIZED
17	751-15799A	1	POT D ECHAPPEMENT	751-15799A
18	783-06232	1	783-08843	UNIVSL:SPEC-100015 783-06232*

www.emc-motoculture.com



Position	Numéro de lapièce	#	Appellation I	Appellation II
1	710-05281	2	VIS	FINISH:MTD SPEC-100016 TYPE 1
2	710-0895	6	VIS A SIX PANS CREUX	FINISH:MTD SPEC-100016 TYPE 1
3	725-0157	1	COLLIER DE SERRAGE3/16X0.5X7.4	MATERIAL:NYLON-SCHWARZ
4	725-0963	2	AMPOULE ELECTRIQUE	FINISH:
5	728-04063	4	RIVET	FINISH:ASTM F1941 FE/ZN 3AN
6	728-05108	4	BLINDNIET(POPNIET)6,4mm x 12mm	FINISH:MTD SPEC-100015
7	731-06095	1	OPTIQUE GAUCHE	FINISH:KLAR
8	731-06096	1	OPTIQUE DROITE	FINISH:KLAR
9	731-06404	2	SILENBLOCK:CAPOT STYLE-K	ARMATURENBRETT:K-STYLE
10	731-06796A	1	CALANDRE STYLE K	KUNSTSTOFF SCHWARZ
11	736-3090	4	RONDELLE 260 X .720 X .060	FINISH:MTD SPEC-100015
12	738-04091A	2	VIS EPAULEE	FINISH:SPEC-100016
13	783-05417637	1	ÉTRIER DE CHARN.:À GA. CAPOT	783-05417-0637
14	783-05418C-S	1	ÉTRIER DE CHARN.:À DR. CAPOT	783-05418C-S
15	783-06302	1	MOTORHAUBE:K-STYLE:TROY BILT	FINISH:LACKIERT MTD QUALITÄT
16	783-06328A-S	1	SUPPORT	SCHWARZ
17	783-09254674	1	FLANC CAPOT GAUCHE STYLE K	YARDMAN GELB
18	783-09255674	1	FLANC CAPOT DROIT STYLE K NOIR	YARDMAN GELB

www.emc-motoculture.com

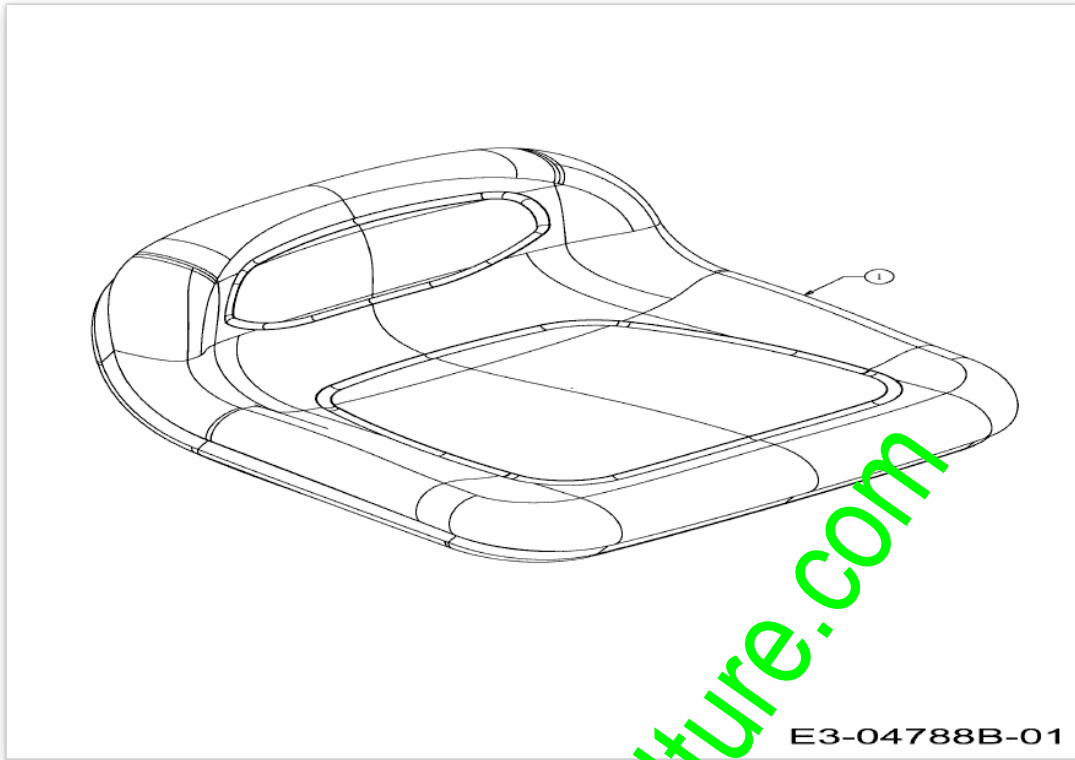


E3-02339G-01

[www.emc-motoculture.com](http://www.emc-motoculture.com)

Position	Numéro de pièce	#	Appellation I	Appellation II
1	683-04236C	1		
2	710-04484	2	VIS HEX. TT:5/16-18:.750:HXIND	FINISH:MTD SPEC-100016 TYPE 1
3	712-04065	2	ECROU HEXAGONAL	FINISH:SPEC-100015 912-04065
4	714-04061	2	GOUPILLE	FINISH:MTD SPEC-100015
5	731-04500	2	BOUCHON	500 SERIES:K 28 S:SCHWARZ
6	736-0331	2	RONDELLE CONIQUE	FINISH:MTD SPEC-100016
7	738-0143	2	VIS EPAULEE	FINISH:MTD SPEC 100015 (EU)

[www.emc-motoculture.com](http://www.emc-motoculture.com)



E3-04788B-01

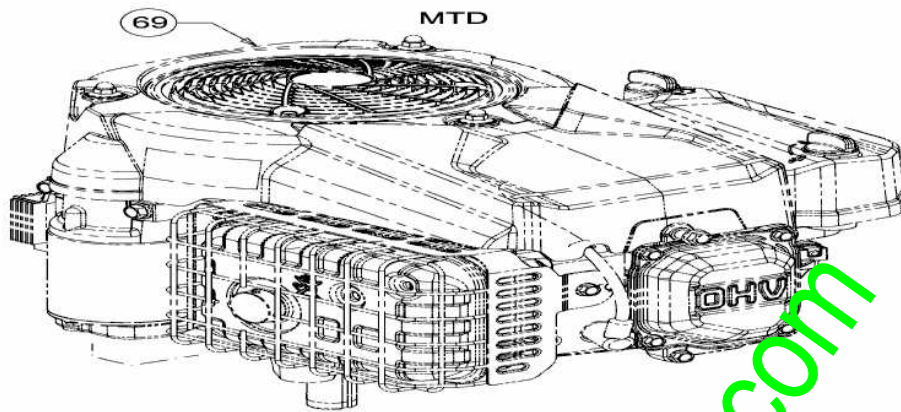
[www.emc-motoculture.com](http://www.emc-motoculture.com)



Position	Numéro de pièce	#	Appellation I	Appellation II
1	757-04107	1	SIEGE NOIR MOYEN	FINISH: SCHWARZ

[www.emc-motoculture.com](http://www.emc-motoculture.com)

bis 24.06.2019  
to 24.06.2019  
jusqu'au 24.06.2019



Model: 7 T 90 HU

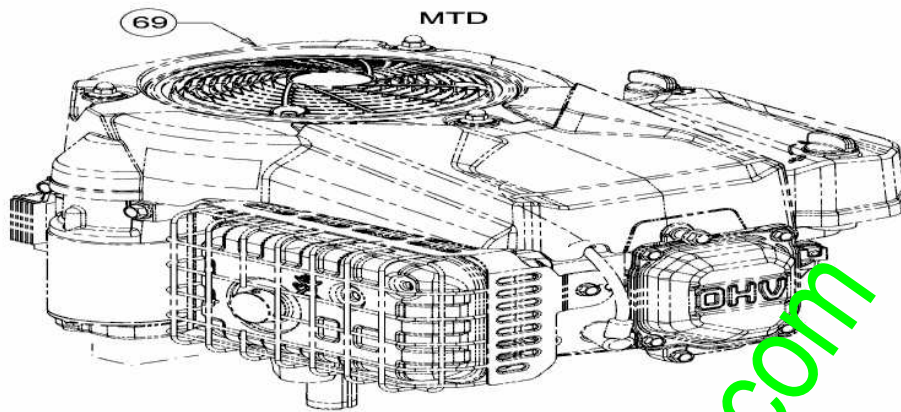
E3-10192C-01

[www.emc-motoculture.com](http://www.emc-motoculture.com)

Position	Numéro de pièce	#	Appellation I	Appellation II
69	752Z7T90HU	1	B-MOTOR:ZS:439cc:SNGL:E-START	7T90HU:OHV

[www.emc-motoculture.com](http://www.emc-motoculture.com)

ab 25.06.2019  
from 25.06.2019  
à partir du 25.06.2019



Model: 7 T 90 HW

E3-10192C-02

[www.emc-motoculture.com](http://www.emc-motoculture.com)

Position	Numéro de pièce	#	Appellation I	Appellation II
69	752Z7T90HW	1	B-MOTOR:ZS:439cc:SNGL:OHV:E-ST	MODELL#:7T90HW STAGE V

[www.emc-motoculture.com](http://www.emc-motoculture.com)

[www.emc-motoculture.com](http://www.emc-motoculture.com)