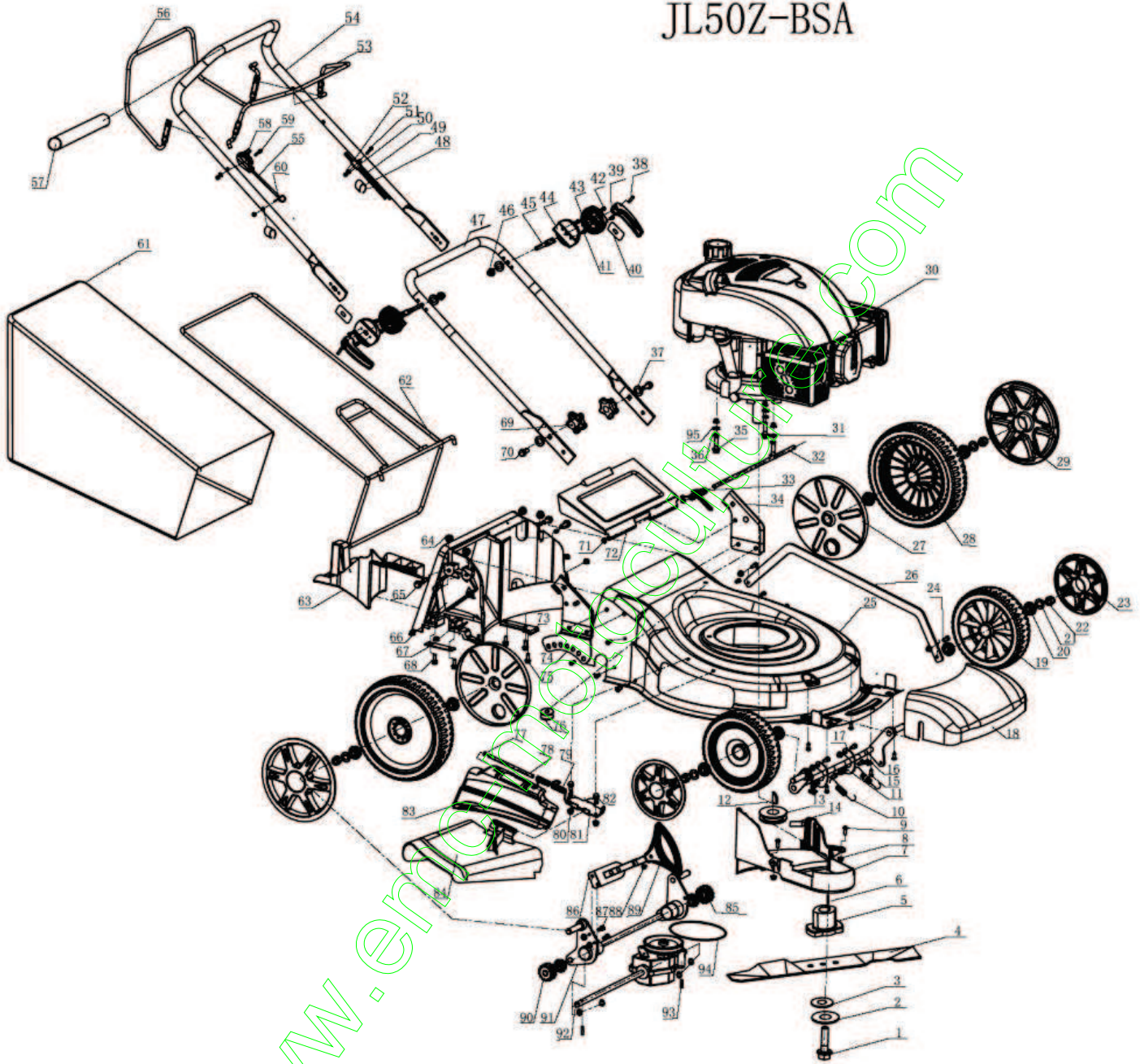


JL50Z-BSA



| Item | Référence | Désignation | Ref Usine | Qte par produit |
|------|-----------|------------------------|------------|-----------------|
| 1 | JL46Z0404 | VIS DE LAME | JL46Z04-04 | 1 |
| 2 | JL40T0301 | RONDELLE PLATE METAL | JL40T03-01 | 1 |
| 3 | JL46Z0407 | RONDELLE DE LAME FIBRE | JL46Z04-07 | 1 |
| 4 | JL50Z0401 | LAME | JL50Z04-01 | 1 |

| | | | | |
|----|------------|--------------------------------|--------------|----|
| 5 | JL50Z0403A | SUPPORT DE LAME | JL50Z04-03A | 1 |
| 6 | JL46Z0408 | CLAVETTE | JL46Z04-08 | 1 |
| 7 | JL50Z0405 | COUVERCLE DE COUVERCLE | JL50Z04-05 | 1 |
| 8 | JLGB618786 | ECROU M6 | GB6187-86 | 8 |
| 9 | JLGB81886 | VIS M6X16 | GB818-86 | 2 |
| 10 | JL50Z0304 | RESSORT | JL50Z03-04 | 2 |
| 11 | JL50Z0210 | AXE SUPPORT DE ROUE AVANT | JL50Z02-10 | 1 |
| 12 | JLGB109979 | CLAVETTE | GB1099-79 | 1 |
| 13 | JL50Z0206 | POULIE VOIR JL46Z0203 | JL50Z02-06 | 1 |
| 14 | JLGB578986 | VIS M8X35 | GB5789-86 | 1 |
| 15 | GLNGP46T49 | VIS | GB845-85 | 15 |
| 16 | JL50Z0214 | BOUCHON | JL50Z02-14 | 2 |
| 17 | JL50Z0218 | AXE AVANT | JL50Z02-18 | 2 |
| 18 | JL50Z0216 | CARTER PLASTIQUE AVANT | JL50Z02-16 | 1 |
| 19 | JL50Z0205 | ROUE AVANT | JL50Z02-05 | 2 |
| 20 | JL46Z0215 | ROULEMENT | JL46Z02-15 | 12 |
| 21 | JLGBT95587 | RONDELLE 13X20X0;6 | GB/T955-87 | 4 |
| 22 | JLGB618286 | ECROU M10X1;5 | GB6182-86 | 4 |
| 23 | JL50Z0204 | ENJOLIVEUR ROUE AVANT | JL50Z02-04 | 2 |
| 24 | JL46ZC0304 | VIS | JL46Z-C03-04 | 2 |
| 25 | JL50Z0402 | CARTER TONDEUSE | JL50Z04-02 | 1 |
| 26 | JL50Z0301 | BIELLETTTE DE REGLAGE DE COUPE | JL50Z03-01 | 1 |
| 27 | JL50Z0202 | ENJOLIVEUR INTERIEUR DE ROUE | JL50Z02-02 | 2 |

| | | | | |
|----|-------------|----------------------------|-------------|---|
| 28 | JL50Z0201 | ROUE ARRIERE | JL50Z02-01 | 2 |
| 29 | JL50Z0203 | ENJOLIVEUR DE ROUE ARRIERE | JL50Z02-03 | 2 |
| 30 | | | | 0 |
| 31 | JLGB578986 | VIS M8X35 | GB5789-86 | 1 |
| 32 | JL50Z0501 | AXE DE DEFLECTEUR ARRIERE | JL50Z05-01 | 1 |
| 33 | JL50Z0505 | RESSORT DE DEFLECTEUR | JL50Z05-05 | 1 |
| 34 | JL50Z0105 | SUPPORT DE GUIDON GAUCHE | JL50Z01-05 | 1 |
| 35 | JLGB578986 | VIS M8X35 | GB5789-86 | 2 |
| 36 | GLSPGBT9387 | RONDELLE RESSORT | GB/T93-87 | 3 |
| 37 | JLGB962 | RONDELLE 9X22X2 | GB96.2 | 2 |
| 38 | JLGBT8792 | AXE 5X18 | GB/T879.2 | 2 |
| 39 | JL50Z0101 | POIGNEE | JL50Z01-01 | 2 |
| 40 | GLNGP46T49 | VIS | GB845-85 | 4 |
| 41 | JL50Z0117 | RONDELLE CARREE | JL50Z01-17 | 2 |
| 42 | GLNGP46T49 | VIS | GB845-85 | 5 |
| 43 | JL50Z0103 | MOYEU DE REGLAGE EXTERIEUR | JL50Z01-03 | 2 |
| 44 | JL50Z0102 | MOYEU DE REGLAGE INTERIEUR | JL50Z01-02 | 2 |
| 45 | JL50Z0116 | VIS | JL50Z01-16 | 2 |
| 46 | JLGB618786 | ECROU M6 | GB6187-86 | 5 |
| 47 | JL50Z0109 | GUIDON INFERIEUR | JL50Z01-09 | 1 |
| 48 | JL46Z0109 | CLIPS DE CABLE | JL46Z01-09 | 2 |
| 49 | JL50Z0113 | CABLE HOMME MORT | JL50Z01-13 | 1 |
| 50 | JLGBT92388 | ECROU M6 | GB/T923-88 | 4 |
| 51 | JL40T0102B | VIS M6X35 | JL40T01-02B | 2 |
| 52 | JLGB9722002 | RONDELLE 6.4X12X1.4 | GB97.2-2002 | 3 |

| | | | | |
|----|--------------|--|--------------|---|
| 53 | JL50Z0115 | CABLE D ACCELERATEUR | JL50Z01-15 | 1 |
| 54 | JL50Z0111 | LEVIER HOMME MORT voir JL40T0107 | JL50Z01-11 | 1 |
| 55 | JL50Z0108 | GUIDON SUPERIEUR | JL50Z01-08 | 1 |
| 56 | JL50Z0110 | LEVIER D AVANCEMENT | JL50Z01-10 | 1 |
| 57 | JL50Z0104 | GRIPP | JL50Z01-04 | 1 |
| 58 | GHMTB3550 | POIGNEE | JL46Z01-11.1 | 1 |
| 59 | JL40T0102A | VIS M6X45 | JL40T01-02A | 1 |
| 60 | JL50Z0107 | SUPPORT DE FICELLE LANCEUR | JL50Z01-07 | 1 |
| 61 | JL50Z0503 | BAC SOUPLE | JL50Z05-03 | 1 |
| 62 | JL50Z0504 | ARMATURE DE BAC | JL50Z05-04 | 1 |
| 63 | JL50Z0511 | BOUCHON MULCHING | JL50Z05-11 | 1 |
| 64 | JLGB618786 | ECROU M6 | GB6187-86 | 4 |
| 65 | JLGB57872000 | VIS M8X20 | GB5787-2000 | 4 |
| 66 | JL50Z0512 | PARTIE PLASTIQUE | JL50Z05-12 | 1 |
| 67 | JL50Z0208 | PLAQUE DROITE DE MAINTIEN DE SUPPORT DE ROUE | JL50Z02-08 | 1 |
| 68 | JLGB578986 | VIS M8X35 | GB5789-86 | 4 |
| 69 | JL40T0101A | ECROU | JL40T01-01A | 2 |
| 70 | JL50Z0114 | VIS M8X22 | JL50Z01-14 | 2 |
| 71 | JLGB89686 | CERCLIP | GB896-86 | 2 |
| 72 | JL50Z0502A | DEFLECTEUR ARRIERE | JL50Z05-02A | 1 |
| 73 | JL50Z0207 | PLAQUE GAUCHE DE MAINTIEN DE SUPPORT DE ROUE | JL50Z02-07 | 1 |
| 74 | JL50Z0106 | SUPPORT DROIT DE GUIDON | JL50Z01-06 | 1 |
| 75 | JLGB578786 | BOULON M6X30 | GB5787-86 | 1 |

| | | | | |
|----|-------------|-----------------------------|------------|---|
| 76 | JL50Z0118 | GALET | JL50Z01-18 | 1 |
| 77 | JLGB89686 | CERCLIP | GB896-86 | 1 |
| 78 | JL50Z0510 | AXE DE DEFLECTEUR LATERAL | JL50Z05-10 | 1 |
| 79 | JL50Z0509 | RESSORT D AXE DE DEFLECTEUR | JL50Z05-09 | 1 |
| 80 | JLGB618786 | ECROU M6 | GB6187-86 | 6 |
| 81 | JL50Z0508 | SUPPORT DE DEFLECTEUR | JL50Z05-08 | 1 |
| 82 | JLGB578986 | VIS M8X35 | GB5789-86 | 6 |
| 83 | JL50Z0507 | DEFLECTEUR LATERAL | JL50Z05-07 | 1 |
| 84 | JL50Z0506 | GOULOTTE D EJECTION LATERAL | JL50Z05-06 | 1 |
| 85 | JL46Z0206 | PIGNON GAUCHE | JL46Z02-06 | 1 |
| 86 | JL50Z0302 | LEVIER DE REGLAGE | JL50Z03-02 | 1 |
| 87 | JLGB578986 | VIS M8X35 | GB5789-86 | 2 |
| 88 | JLGB81886 | VIS M6X16 | GB818-86 | 1 |
| 89 | JL50Z0303 | MANETTE | JL50Z03-03 | 1 |
| 90 | JL46Z0207 | PIGNON DROIT | JL46Z02-07 | 1 |
| 91 | JL50Z0212 | AXE SUPPORT DE ROUE ARRIERE | JL50Z02-12 | 1 |
| 92 | JL50Z0211 | BLOTTIER DE TRACTION | JL50Z02-11 | 1 |
| 93 | JLGB11986 | GOUPILLE | GB119-86 | 2 |
| 94 | JLGB1154494 | COURROIE Z800 LI | GB11544-94 | 1 |
| 95 | JLGB9685 | RONDELLE M 8,4X22X1;5 | GB96-85 | 5 |