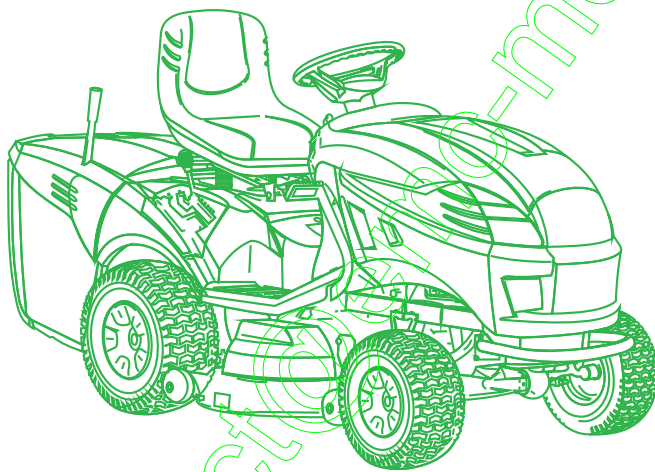


# ILLUSTRATED PARTS LIST

## TS 102 Hydro



- Use GLOBAL GARDEN PRODUCT Genuine Spare Parts specified in the parts list for repair and/or replacement.
- The contents described in the parts list may change due to improvement.
- The drawings of the spare parts are only indicative and might not represent the part in question exactly.
- The indications "right" - "left" - "front" - "rear" refer to the position of the operator when using the machine.
- When placing orders of parts for repair and/or replacement, make sure that the illustrated parts list is the one applying to the machine's year of manufacture, as shown on the identification plate attached to the machine.

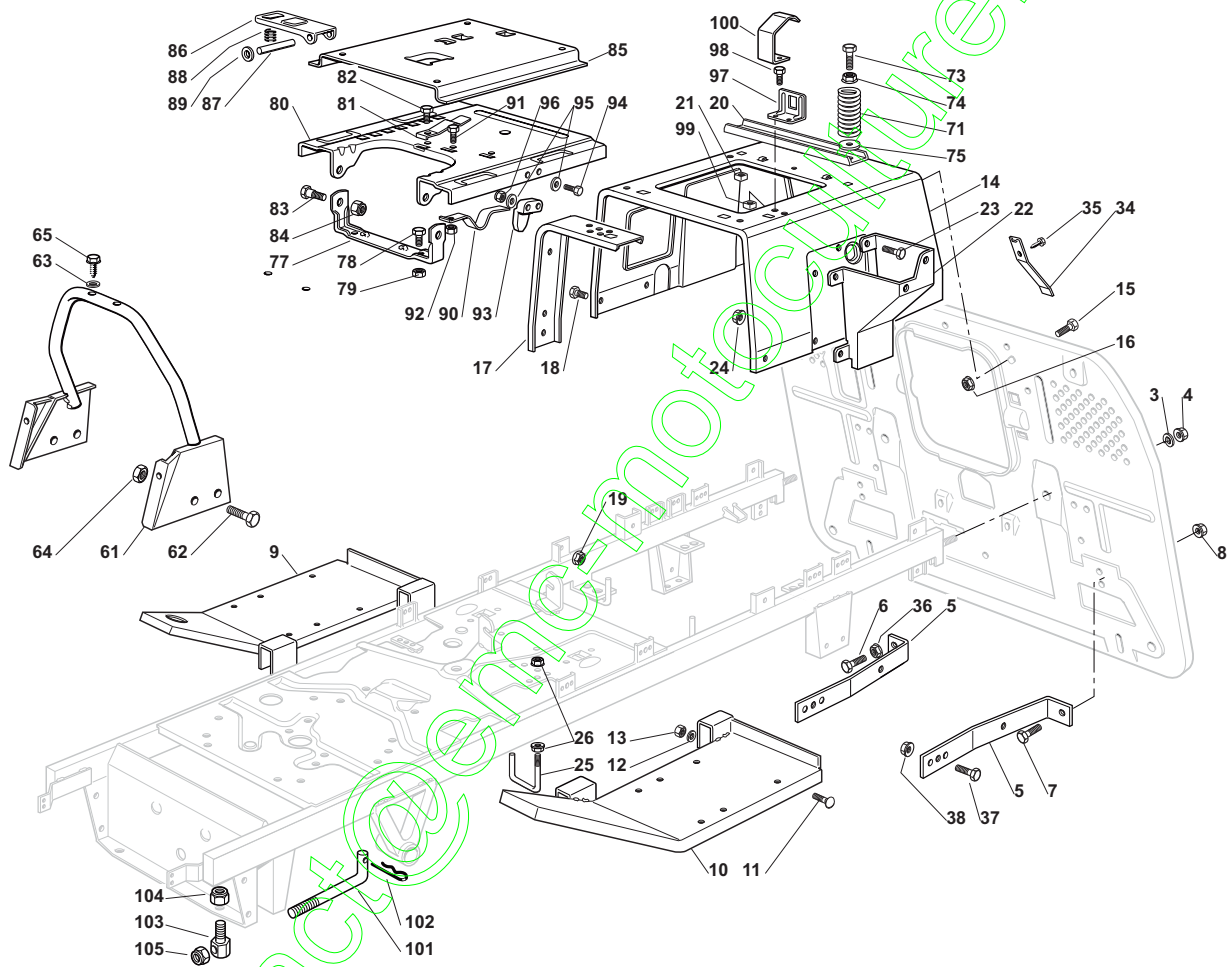
© Copyright 2012 Global Garden Products

All content is subject to copyright by Global Garden Products and may not be reproduced in whole or in part by any means, electronic or otherwise, without prior written approval.

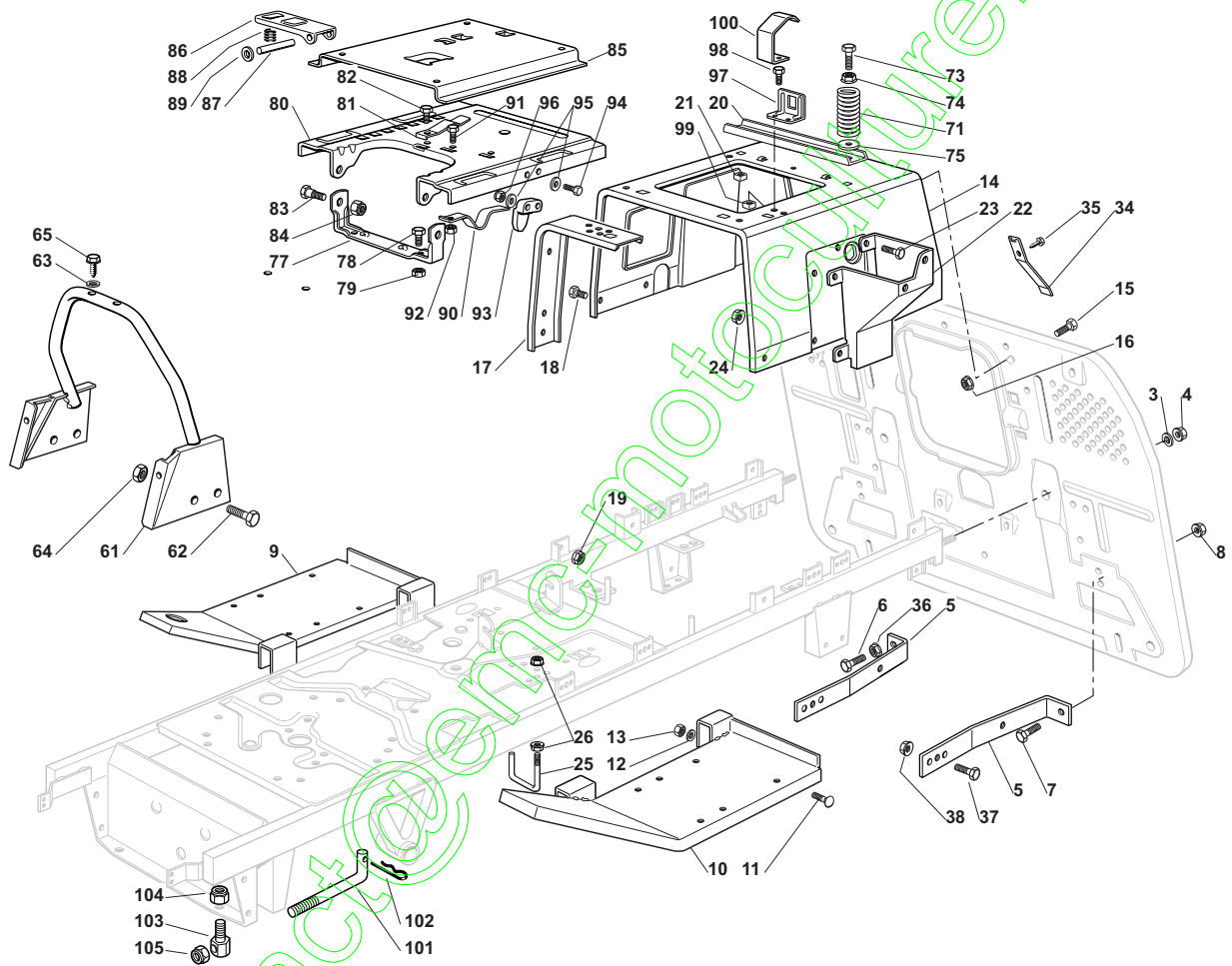
THIS INFORMATION IS NOT INTENDED FOR SALE OR RESALE, AND THIS NOTICE MUST REMAIN ON ALL COPIES.



GLOBAL GARDEN PRODUCTS

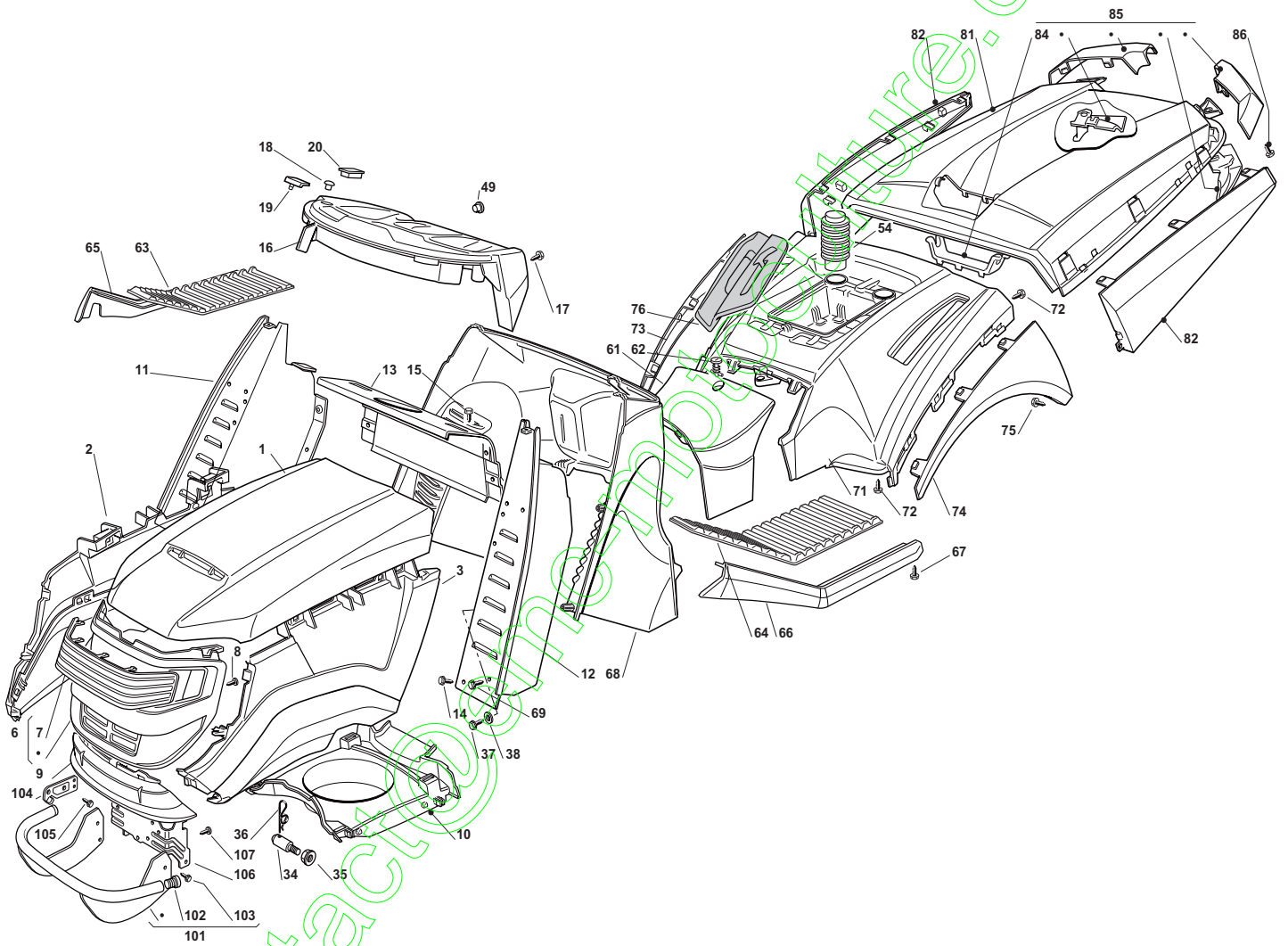


Chassis							
POS	CODE	Q.TY	DESCRIZIONE	DESCRIPTION	DESCRIPTION	BESCHREIBUNG	NOTES
3	12585100/0	2	Grower	Grower	Grower	Grower	
4	12295200/0	2	Dado	Nut	Ecrou	Mutter	
5	25774273/1	2	Rinforzo	Stiffening	Renforcement	Verstaerkung	
6	12691100/0	1	Vite	Screw	Vis	Schraube	
7	12793102/0	3	Vite	Screw	Vis	Schraube	
8	12293201/0	4	Dado	Nut	Ecrou	Mutter	
9	382510041/2	1	Supporto Pedana Destro	Right Footboard Support	Support Marchepied Droite	Rechte Fussbretthalter	
10	382510043/2	1	Supporto Pedana Sinistro	Left Footboard Support	Support Marchepied Gauche	Linke Fussbretthalter	
11	12815245/0	4	Vite	Screw	Vis	Schraube	
12	12523040/0	4	Rosetta	Washer	Rondelle	Scheibe	
13	12154510/0	4	Dado	Nut	Ecrou	Mutter	
14	325785133/4	1	Supporto Sedile	Seat Support	Support Siege	Sitzhalter	
15	12791011/0	5	Vite	Screw	Vis	Schraube	
16	12292102/0	5	Dado	Nut	Ecrou	Mutter	
17	25650065/0	2	Rinforzo	Stiffening	Renforcement	Verstaerkung	
18	12791011/0	6	Vite	Screw	Vis	Schraube	
19	12292102/0	6	Dado	Nut	Ecrou	Mutter	
20	25650067/0	1	Rinforzo	Stiffening	Renforcement	Verstaerkung	
21	12360420/0	2	Dado	Nut	Ecrou	Mutter	
22	325785137/1	1	Supporto	Support	Support	Halter	
23	12791011/0	4	Vite	Screw	Vis	Schraube	
24	12292102/0	4	Dado	Nut	Ecrou	Mutter	
25	25580019/0	1	Piolo Guidacinghia (Hydro)	Belt Guide (Hydro)	Guide De Courroie (Hydro)	Riemenführung (Hydro)	
26	12292102/0	2	Dado	Nut	Ecrou	Mutter	
34	25430238/0	1	Molla	Spring	Ressort	Feder	
35	12731580/0	1	Vite	Screw	Vis	Schraube	
36	12293200/0	1	Dado	Nut	Ecrou	Mutter	
37	12793102/0	2	Vite	Screw	Vis	Schraube	
38	12293201/0	2	Dado	Nut	Ecrou	Mutter	
61	382650045/0	1	Telaio Centrale	Chassis	Chassis	Rahmensatz	
62	12792611/0	4	Vite	Screw	Vis	Schraube	
63	12521330/0	2	Rosetta	Washer	Rondelle	Scheibe	
64	12292102/0	4	Dado	Nut	Ecrou	Mutter	
65	12731350/0	2	Vite	Screw	Vis	Schraube	
71	25430205/1	2	Molla	Spring	Ressort	Feder	use on models TC;TCR;TCB;TCP;TCX;TCS ;TCU;TCA
71	125430257/1	2	Molla (TX, TS)	Spring (TX, TS)	Ressort (TX, TS)	Feder (TX, TS)	use on models TX;TS
73	25943001/0	2	Vite	Screw	Vis	Schraube	
74	12293201/0	2	Dado	Nut	Ecrou	Mutter	
75	12523070/0	2	Rondella	Washer	Rondelle	Scheibe	
77	82774207/0	1	Staffa Supp. Sedile	Seat Clamp Support	Etrier Support Siege	Bride F. Sitzhalter	
78	12792611/0	2	Vite	Screw	Vis	Schraube	
79	12293201/0	2	Dado	Nut	Ecrou	Mutter	
80	25785149/2	1	Supp. Sedile Fisso	Fixed Seat Supp.	Support Siege Fixe	Fest Sitzhalter	
81	25430203/0	1	Molla Arresto	Spring	Ressort D'Arret	Rastfeder	
82	12731580/0	1	Vite	Screw	Vis	Schraube	
83	22524970/2	2	Perno	Pin	Pivot	Bolzen	
84	12155010/0	2	Dado	Nut	Ecrou	Mutter	
85	325785147/1	1	Supporto Sedile	Seat Support	Support Siege	Sitzhalter	
86	325318109/1	1	Leva Arresto	Stop Lever	Levier D'Arret	Abstellhebel	
87	25510000/0	1	Perno	Pin	Pivot	Bolzen	
88	125430202/1	1	Molla	Spring	Ressort	Feder	
89	12604897/0	2	Anello Elastico	Snap Ring	Anneau Ressort	Sprengring	
90	25430223/2	1	Molla	Spring	Ressort	Feder	
91	12789000/0	1	Vite	Screw	Vis	Schraube	
92	12154330/0	1	Dado	Nut	Ecrou	Mutter	
93	25060033/0	1	Camma	Cam	Came	Nocken	
94	12815050/0	2	Vite	Screw	Vis	Schraube	
95	12521320/0	4	Rosetta	Washer	Rondelle	Scheibe	



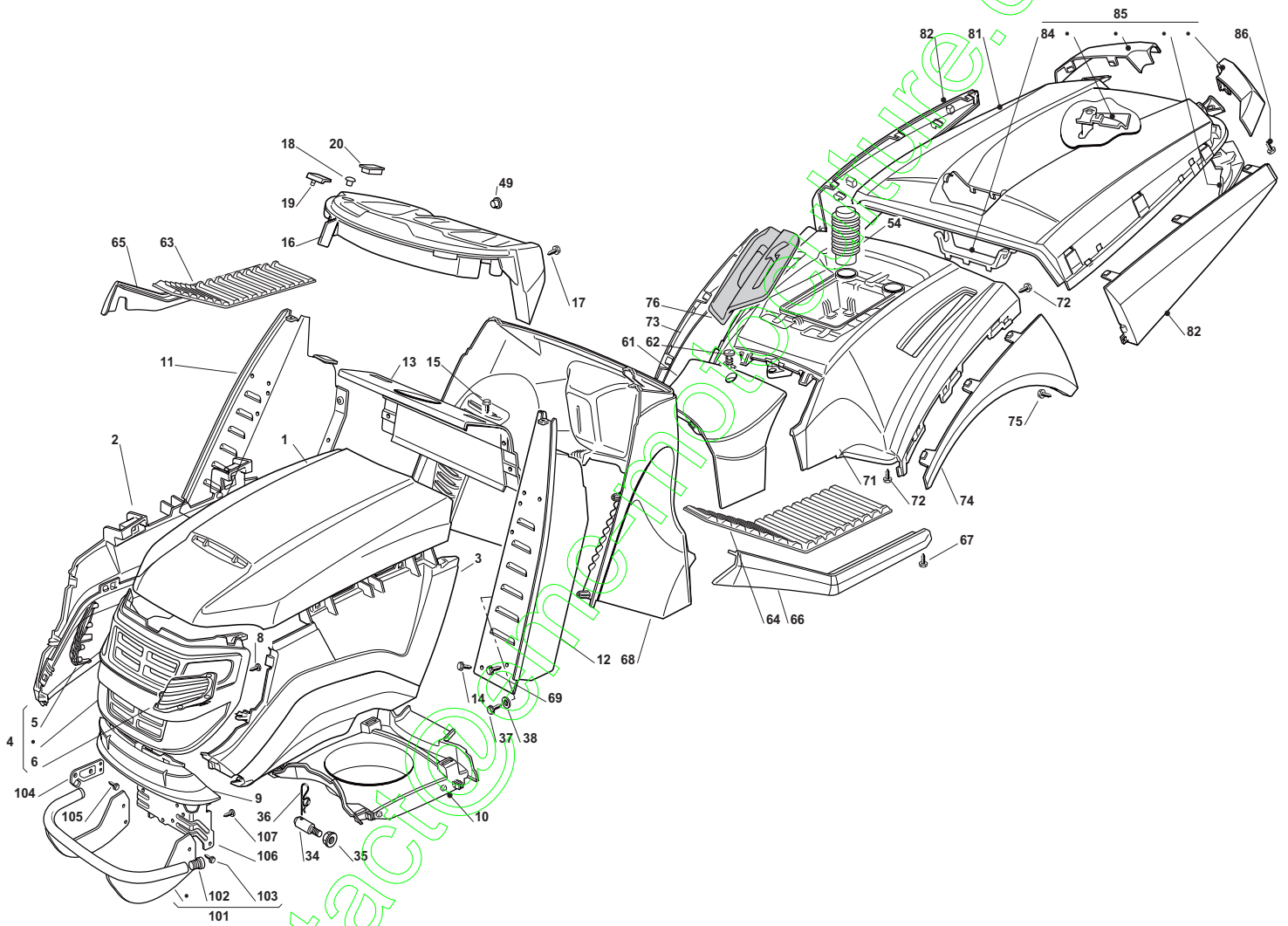
Chassis							
POS	CODE	Q.TY	DESCRIZIONE	DESCRIPTION	DESCRIPTION	BESCHREIBUNG	NOTES
96	12154330/0	2	Dado	Nut	Ecrou	Mutter	
97	25755025/1	1	Squadretta	Bracket	Equerre-Support	Winkel	
98	12735110/0	2	Vite	Screw	Vis	Schraube	
99	12437502/0	2	Piastrina	Plate	Plaque	Platte	
100	25430255/0	1	Molla	Spring	Ressort	Feder	
101	125510119/0	2	Tirante	Tie Rod	Tirant	Spannstange	
102	24487997/0	2	Coppiglia	Cotter Pin	Goupille	Splint	
103	25510040/1	2	Perno	Pin	Pivot	Bolzen	
104	12155000/0	2	Dado	Nut	Ecrou	Mutter	
105	12155000/0	2	Dado	Nut	Ecrou	Mutter	

contact@emc-motoculture.com



Body							In parts list notes identify as model TS
POS	CODE	Q.TY	DESCRIZIONE	DESCRIPTION	DESCRIPTION	BESCHREIBUNG	NOTES
1	25076871/0	1	Cofano Superiore Rosso	Upper Engine Hood, Red	Capot Rouge	Haubesatz Rot	
2	382394620/0	1	Cofano Dx	Hood, Right	Capot Droite	Rechte Haube	
3	382394621/0	1	Cofano Sx	Hood, Left	Capot Gauche	Linke Haube	
6	82394618/0	1	Cofano Frontale - Grigio	Hood, Front	Capot Avant	Vorde Haube	
7	25410878/0	1	Mascherina	Grill	Panneau	Schutz	
8	12735403/0	6	Vite	Screw	Vis	Schraube	
9	25076877/0	1	Cofano Frontale Inferiore - Rosso	Lower Hood, Front	Capot Avant	Vorde Haube	
10	25108031/0	1	Convogliatore	Conveyor	Convoyeur	Konveyor	
11	382785022/9	1	Supp. Cruscotto Destro	Right Dashboard Supp.	Support Tableau Droite	Rechter Konsolehalter	
12	382785021/8	1	Supp. Cruscotto Sin.	Left Dashboard Supp.	Support Tableau Gauche	Linker Konsolehalter	
13	82785137/0	1	Supp. Cruscotto Centr.	Central Dashboard Supp	Support Tableau Centr.	Zentr. Konsole Halter	
14	12735110/0	2	Vite	Screw	Vis	Schraube	
15	12735110/0	4	Vite	Screw	Vis	Schraube	
16	325120198/1	1	Cruscotto, Nero	Dashboard, Black	Tableau De Bord, Noir	Konsole, Schwarz	
16	325120205/0	1	Cruscotto, Nero (Cruise Control)	Dashboard, Black (Cruise Control)	Tableau De Bord, Noir (Cruise Control)	Konsole, Schwarz (Cruise Control)	use only on models with Cruise Control
16	325120197/1	1	Cruscotto, Rosso	Dashboard, Red	Tableau De Bord, Rouge	Konsole, Rot	
16	325120204/0	1	Cruscotto, Rosso (Cruise Control)	Dashboard, Red (Cruise Control)	Tableau De Bord, Rouge (Cruise Control)	Konsole, Rot (Cruise Control)	use only on models with Cruise Control
17	12728440/0	4	Vite	Screw	Vis	Schraube	
18	25120200/0	2	Tappo	Plug	Bouchon	Propfen	
19	25260000/0	2	Gommino	Grommet	Protection	Schutz	
34	25510068/0	2	Perno	Pin	Pivot	Bolzen	
35	12293201/0	2	Dado	Nut	Ecrou	Mutter	
36	24487998/0	1	Coppiglia	Cotter Pin	Goupille	Splint	
37	12731350/0	2	Vite	Screw	Vis	Schraube	
38	12521330/0	2	Rosetta	Washer	Rondelle	Scheibe	
49	25120233/0	1	Tappo	Cap	Bouchon	Verschluss	
54	25737002/0	2	Cuffia	Hood	Protecteur	Schutzkasten	
61	25110306/0	1	Copertura Centr. (Hydro)	Cover (Hydro)	Couvre (Hydro)	Kappe (Hydro)	
62	125580020/2	1	Perno	Pivot	Goujon	Stift	
63	25110278/1	1	Copripedana Destra	Right Footboardcover	Couvre Marchepied Dro.	Rechte Fussbrettdeckel	
64	25110279/0	1	Copripedana Sinistra	Left Footboard Cover	Couvre Marchepied Gau.	Linke Fussbrettdeckel	
65	25599000/0	1	Profilo Destro	Right Profil	Profil Droit	Recht Profil	
66	25599001/0	1	Profilo Sinistro	Left Profil	Profil Gauche	Link Profil	
67	12731580/0	6	Vite	Screw	Vis	Schraube	
68	25785228/1	1	Supporto Cruscotto	Dashboard Support	Support Tableau	Konsolehalter	
69	12735403/0	7	Vite	Screw	Vis	Schraube	
71	25109744/0	1	Copertura Ruote	Wheels Cover	Couvre-Roues	Radenkappe	
72	12735402/0	4	Vite	Screw	Vis	Schraube	
73	25109747/0	1	Copri ruota Destro	Right Wheel Cover	Couvre-Roue Dro.	Rechte Radkappe	
74	25109748/0	1	Copri ruota Sinistro	Left Wheel Cover	Couvre-Roue Gau.	Linke Radkappe	
75	12728686/0	2	Vite	Screw	Vis	Schraube	
76	25207129/0	1	Copertura (Hydro)	Cover (Hydro)	Couvre (Hydro)	Kappe (Hydro)	
81	25110302/0	1	Copertura Sacco	Grass-Catcher Cover	Couvre-Bac	Sackkappe	
82	382110255/0	1	Coperture Lateral	Cover Assy	Couvre Ens.	Kappe	
84	25394009/0	1	Copertura Maniglia	Handle Cover	Couvre-Poignee	Griffkappe	
85	382110259/0	1	Assieme Angolari	Angles Assy	Comiere Ens.	Winkelprofil	
86	12735403/0	4	Vite	Screw	Vis	Schraube	
101	82869025/0	1	Protezione Silenziatore	Muffler Protection	Protection Silencieux	Auspuffschutz	
102	18737860/0	2	Puntale	Cap	Bouchon	Ppropfen	
103	12734995/0	4	Vite	Screw	Vis	Schraube	
104	325547159/1	2	Piastrina	Plate	Plaque	Platte	
105	12731580/0	4	Vite	Screw	Vis	Schraube	
106	25774301/1	1	Supporto Cofano	Engine Hood Support	Support Capot	Haubehalter	
107	12735403/0	5	Vite	Screw	Vis	Schraube	

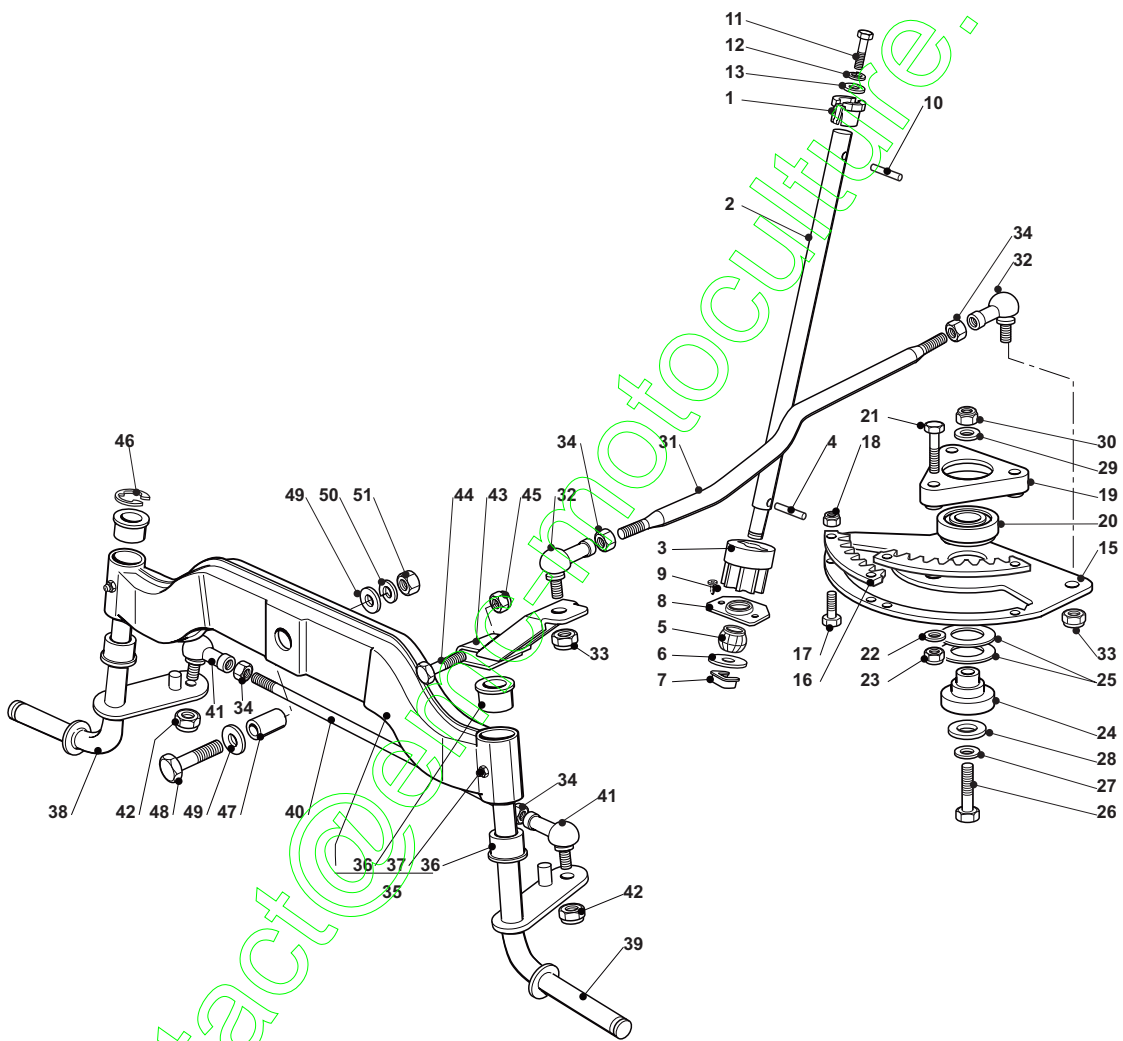






**Body** In parts list notes identify as model **TS**

POS	CODE	Q.TY	DESCRIZIONE	DESCRIPTION	DESCRIPTION	BESCHREIBUNG	NOTES
1	25076871/0	1	Cofano Superiore Rosso	Upper Engine Hood, Red	Capot Rouge	Haubesatz Rot	
2	382394620/0	1	Cofano Dx	Hood, Right	Capot Droite	Rechte Haube	
3	382394621/0	1	Cofano Sx	Hood, Left	Capot Gauche	Linke Haube	
4	382394628/0	1	Cofano Frontale	Hood, Front	Capot Avant	Vorde Haube	
5	325410881/0	1	Mascherina Destra	Right Grill	Panneau Droite	Rechte Schutz	
6	325410882/0	1	Mascherina Sinistra	Left Grill	Panneau Gauche	Linke Schutz	
8	12735403/0	6	Vite	Screw	Vis	Schraube	
9	25076877/0	1	Cofano Frontale Inferiore - Rosso	Lower Hood, Front	Capot Avant	Vorde Haube	
10	25108031/0	1	Convogliatore	Conveyor	Convoyeur	Konveyor	
11	382785022/9	1	Supp. Cruscotto Destro	Right Dashboard Supp.	Support Tableau Droite	Rechter Konsolehalter	
12	382785021/8	1	Supp. Cruscotto Sin.	Left Dashboard Supp.	Support Tableau Gauche	Linker Konsolehalter	
13	82785137/0	1	Supp. Cruscotto Centr.	Central Dashboard Supp	Support Tableau Centr.	Zentr. Konsole Halter	
14	12735110/0	2	Vite	Screw	Vis	Schraube	
15	12735110/0	4	Vite	Screw	Vis	Schraube	
16	325120198/1	1	Cruscotto, Nero	Dashboard, Black	Tableau De Bord, Noir	Konsole, Schwarz	
16	325120205/0	1	Cruscotto, Nero (Cruise Control)	Dashboard, Black (Cruise Control)	Tableau De Bord, Noir (Cruise Control)	Konsole, Schwarz (Cruise Control)	use only on models with Cruise Control
16	325120197/1	1	Cruscotto, Rosso	Dashboard, Red	Tableau De Bord, Rouge	Konsole, Rot	
16	325120204/0	1	Cruscotto, Rosso (Cruise Control)	Dashboard, Red (Cruise Control)	Tableau De Bord, Rouge (Cruise Control)	Konsole, Rot (Cruise Control)	use only on models with Cruise Control
17	12728440/0	4	Vite	Screw	Vis	Schraube	
18	25120200/0	2	Tappo	Plug	Bouchon	Propfen	
19	25260000/0	2	Gommino	Grommet	Protection	Schutz	
34	25510068/0	2	Perno	Pin	Pivot	Bolzen	
35	12293201/0	2	Dado	Nut	Ecrou	Mutter	
36	24487998/0	1	Coppiglia	Cotter Pin	Goupille	Splint	
37	12731350/0	2	Vite	Screw	Vis	Schraube	
38	12521330/0	2	Rosetta	Washer	Rondelle	Scheibe	
49	25120233/0	1	Tappo	Cap	Bouchon	Verschluss	
54	25737002/0	2	Cuffia	Hood	Protecteur	Schutzkasten	
61	25110306/0	1	Copertura Centr. (Hydro)	Cover (Hydro)	Couvre (Hydro)	Kappe (Hydro)	
62	125580020/2	1	Perno	Pivot	Goujon	Stift	
63	25110278/1	1	Copripedana Destra	Right Footboard cover	Couvre Marchepied Dro.	Rechte Fussbrettdeckel	
64	25110279/0	1	Copripedana Sinistra	Left Footboard Cover	Couvre Marchepied Gau.	Linke Fussbrettdeckel	
65	25599000/0	1	Profilo Destro	Right Profil	Profil Droit	Recht Profil	
66	25599001/0	1	Profilo Sinistro	Left Profil	Profil Gauche	Link Profil	
67	12731580/0	6	Vite	Screw	Vis	Schraube	
68	25785228/1	1	Supporto Cruscotto	Dashboard Support	Support Tableau	Konsolehalter	
69	12735403/0	7	Vite	Screw	Vis	Schraube	
71	25109744/0	1	Copertura Ruote	Wheels Cover	Couvre-Roues	Radenkappe	
72	12735402/0	4	Vite	Screw	Vis	Schraube	
73	25109747/0	1	Copri ruota Destro	Right Wheel Cover	Couvre-Roue Dro.	Rechte Radkappe	
74	25109748/0	1	Copri ruota Sinistro	Left Wheel Cover	Couvre-Roue Gau.	Linke Radkappe	
75	12728686/0	2	Vite	Screw	Vis	Schraube	
76	25207129/0	1	Copertura (Hydro)	Cover (Hydro)	Couvre (Hydro)	Kappe (Hydro)	
81	25110302/0	1	Copertura Sacco	Grass-Catcher Cover	Couvre-Bac	Sackkappe	
82	382110255/0	1	Coperture Lateral	Cover Assy	Couvre Ens.	Kappe	
84	25394009/0	1	Copertura Maniglia	Handle Cover	Couvre-Poignee	Griffkappe	
85	382110259/0	1	Assieme Angolari	Angles Assy	Comiere Ens.	Winkelprofil	
86	12735403/0	4	Vite	Screw	Vis	Schraube	
101	82869025/0	1	Protezione Silenziatore	Muffler Protection	Protection Silencieux	Auspuffschutz	
102	18737860/0	2	Puntale	Cap	Bouchon	Pfropfen	
103	12734995/0	4	Vite	Screw	Vis	Schraube	
104	325547159/1	2	Piastrina	Plate	Plaque	Platte	
105	12731580/0	4	Vite	Screw	Vis	Schraube	
106	25774301/1	1	Supporto Cofano	Engine Hood Support	Support Capot	Haubehalter	
107	12735403/0	5	Vite	Screw	Vis	Schraube	



## Steering

Wheels 13"

POS	CODE	Q.TY	DESCRIZIONE	DESCRIPTION	DESCRIPTION	BESCHREIBUNG	NOTES
1	25038004/0	1	Boccola	Bush	Douille	Büchse	
2	125520010/0	1	Piantone	Steering Column	Tube De Direction	Lenkungsaeule	
3	125570004/0	1	Pignone	Pinion	Pignon	Ritzel	
4	112714300/0	1	Grano	Dowel	Grain	Stift	
5	25743000/0	1	Snodo	Joint	Joint	Gelenk	
6	12521370/0	1	Rondella	Washer	Rondelle	Scheibe	
7	12436030/0	1	Piastrina	Plate	Plaquette	Plattechen	
8	325785213/1	1	Supporto	Support	Support	Halter	
9	12729601/1	2	Vite	Screw	Vis	Schraube	
10	112620250/0	1	Spina	Pin	Goupille	Stift	
11	12691800/0	1	Vite	Screw	Vis	Schraube	
12	12583500/0	1	Grower	Grower	Grower	Grower	
13	12523060/0	1	Rondella	Washer	Rondelle	Scheibe	
15	325735523/0	1	Settore	Steering Shaft	Arbre Direction	Lenkungswelle	
16	325150000/0	2	Cremaagliera	Rack	Rack	Zahnstange	
17	12791213/1	4	Vite	Screw	Vis	Schraube	
18	12154510/0	4	Dado	Nut	Ecrou	Mutter	
19	325774453/0	1	Staffa	Clamp	Etrier	Bride	
20	119216047/0	1	Cuscinetto	Bearing	Roulement	Kuegellager	
21	12691100/0	3	Vite	Screw	Vis	Schraube	
22	12523060/0	3	Rondella	Washer	Rondelle	Scheibe	
23	12155000/0	3	Dado	Nut	Ecrou	Mutter	
24	125510120/0	1	Supporto	Support	Support	Halter	
25	22672153/0	2	Rosetta	Washer	Rondelle	Scheibe	
26	12692395/0	1	Vite	Screw	Vis	Schraube	
27	12523080/0	1	Rosetta	Washer	Rondelle	Scheibe	
28	12521390/0	1	Rondella	Washer	Rondelle	Scheibe	
29	12523080/0	1	Rosetta	Washer	Rondelle	Scheibe	
30	12156602/0	1	Dado	Nut	Ecrou	Mutter	
31	25033003/1	1	Asta Comando Sterzo	Steering Rod	Barre De Direction	Lenkungsstab	
32	22746600/0	2	Snodo	Joint	Joint	Gelenk	
32	122746616/0	2	Snodo	Joint	Joint	Gelenk	
33	122746609/0	2	Snodo	Joint	Joint	Gelenk	
34	12156602/0	4	Dado	Nut	Ecrou	Mutter	
35	82034001/3	1	Bilanciere Con Boccola Ed Ingrassatore	Equalizer With Bush And Lubricator	Balancier Avec Douille Et Graisseur	Kipphebel Mit Büchse Und Fettbüchse	
36	25034002/1	4	Boccola	Bush	Douille	Büchse	
37	12379511/0	2	Ingrassatore	Grease Dispenser	Graisseur	Fettbüchse	
38	82230349/0	1	Fusello Destro	Right Stub Axle	Fuseau Droite	Rechter Achsschenkel	
39	82230348/0	1	Fusello Sinistro	Left Stub Axle	Fuseau Gauche	Linker Achsschenkel	
40	25840001/0	1	Tirante	Tie Rod	Tirant	Kupplung	
41	122746616/0	2	Snodo	Joint	Joint	Gelenk	
42	12156602/0	2	Dado	Nut	Ecrou	Mutter	
43	82318101/0	1	Leva Comando	Lever	Levier	Hebel	
44	12691700/0	1	Vite	Screw	Vis	Schraube	
45	12155000/0	1	Dado	Nut	Ecrou	Mutter	
46	12001000/0	1	Anello Elastico	Snap Ring	Anneau Ressort	Sprengring	
47	25160005/0	1	Distanziale	Spacer	Entretoise	Entfernungsstueck	
48	12694100/0	1	Vite	Screw	Vis	Schraube	
49	12521390/0	2	Rondella	Washer	Rondelle	Scheibe	
50	12587900/0	1	Grower	Grower	Grower	Grower	
51	12295800/0	1	Dado	Nut	Ecrou	Mutter	

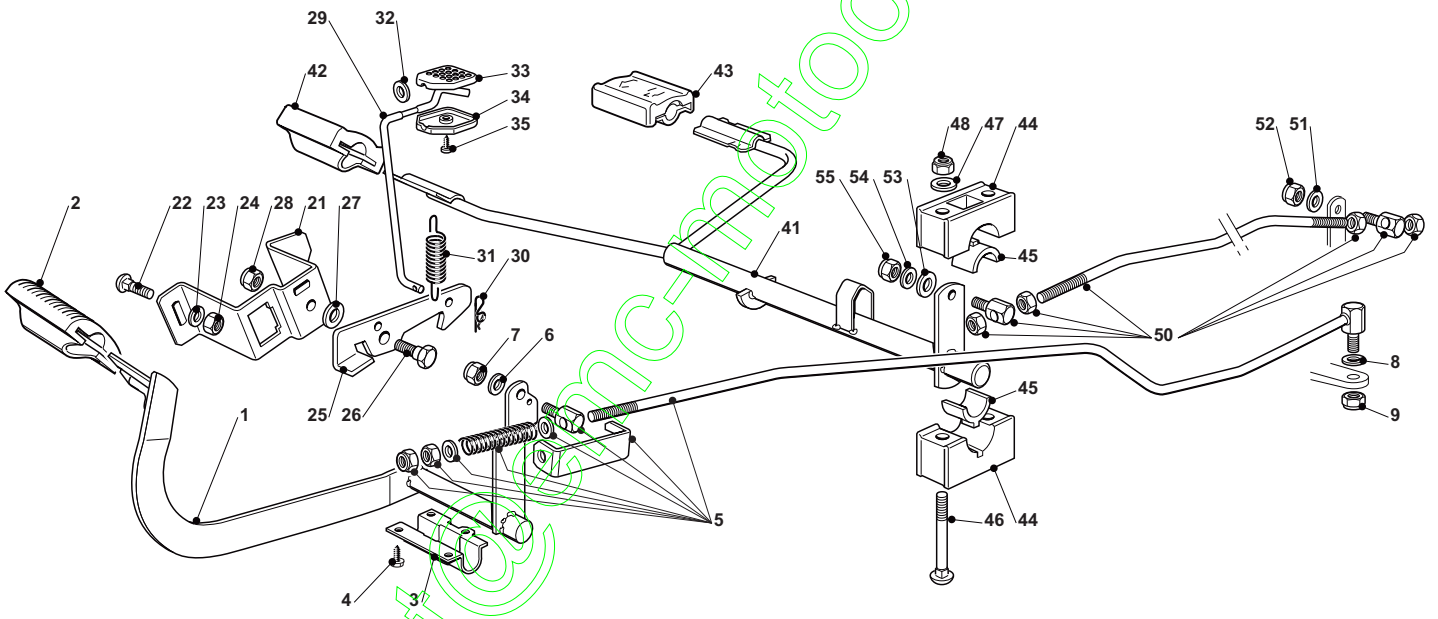


## Steering

Wheels 15"

POS	CODE	Q.TY	DESCRIZIONE	DESCRIPTION	DESCRIPTION	BESCHREIBUNG	NOTES
1	25038004/0	1	Boccola	Bush	Douille	Büchse	
2	125520010/0	1	Piantone	Steering Column	Tube De Direction	Lenkungsaeule	
3	25570000/2	1	Pignone	Pinion	Pignon	Ritzel	
4	112714300/0	1	Grano	Dowel	Grain	Stift	
5	25743000/0	1	Snodo	Joint	Joint	Gelenk	
6	12521370/0	1	Rondella	Washer	Rondelle	Scheibe	
7	12436030/0	1	Piastrina	Plate	Plaquette	Plattechen	
8	325785213/1	1	Supporto	Support	Support	Halter	
9	12729601/1	2	Vite	Screw	Vis	Schraube	
10	112620250/0	1	Spina	Pin	Goupille	Stift	
11	12691800/0	1	Vite	Screw	Vis	Schraube	
12	12583500/0	1	Grower	Grower	Grower	Grower	
13	12523060/0	1	Rondella	Washer	Rondelle	Scheibe	
15	325735523/0	1	Settore	Steering Shaft	Arbre Direction	Lenkungswelle	
16	325150000/0	2	Cremaagliera	Rack	Rack	Zahnstange	
17	12791213/1	4	Vite	Screw	Vis	Schraube	
18	12154510/0	4	Dado	Nut	Ecrou	Mutter	
19	325774453/0	1	Staffa	Clamp	Etrier	Bride	
20	119216047/0	1	Cuscinetto	Bearing	Roulement	Kuegellager	
21	12691100/0	3	Vite	Screw	Vis	Schraube	
22	12523060/0	3	Rondella	Washer	Rondelle	Scheibe	
23	12155000/0	3	Dado	Nut	Ecrou	Mutter	
24	125510120/0	1	Supporto	Support	Support	Halter	
25	22672153/0	2	Rosetta	Washer	Rondelle	Scheibe	
26	12692395/0	1	Vite	Screw	Vis	Schraube	
27	12523080/0	1	Rosetta	Washer	Rondelle	Scheibe	
28	12521390/0	1	Rondella	Washer	Rondelle	Scheibe	
29	12523080/0	1	Rosetta	Washer	Rondelle	Scheibe	
30	12156602/0	1	Dado	Nut	Ecrou	Mutter	
31	25033003/1	1	Asta Comando Sterzo	Steering Rod	Barre De Direction	Lenkungsstab	
32	22746600/0	2	Snodo	Joint	Joint	Gelenk	
32	122746616/0	2	Snodo	Joint	Joint	Gelenk	
33	122746609/0	2	Snodo	Joint	Joint	Gelenk	
34	12156602/0	4	Dado	Nut	Ecrou	Mutter	
35	82034001/3	1	Bilanciere Con Boccola Ed Ingrassatore	Equalizer With Bush And Lubricator	Balancier Avec Douille Et Graisseur	Kipphebel Mit Büchse Und Fettbüchse	
36	25034002/1	4	Boccola	Bush	Douille	Büchse	
37	12379511/0	2	Ingrassatore	Grease Dispenser	Graisseur	Fettbüchse	
38	82230361/0	1	Fusello Destro	Right Stub Axle	Fuseau Droite	Rech. Achsschenkel	
39	82230359/0	1	Fusello Sinistro	Left Stub Axle	Fuseau Gauche	Linker Achsschenkel	
40	25840001/0	1	Tirante	Tie Rod	Tirant	Kupplung	
41	122746616/0	2	Snodo	Joint	Joint	Gelenk	
42	12156602/0	2	Dado	Nut	Ecrou	Mutter	
43	82318185/0	1	Leva Comando	Lever	Levier	Hebel	
44	12692395/0	1	Vite	Screw	Vis	Schraube	
45	12155000/0	1	Dado	Nut	Ecrou	Mutter	
46	12001000/0	1	Anello Elastico	Snap Ring	Anneau Ressort	Sprengring	
47	25160005/0	1	Distanziale	Spacer	Entretoise	Entfernungsstueck	
48	12694100/0	1	Vite	Screw	Vis	Schraube	
49	12521390/0	2	Rondella	Washer	Rondelle	Scheibe	
50	12587900/0	1	Grower	Grower	Grower	Grower	
51	12295800/0	1	Dado	Nut	Ecrou	Mutter	
66	22167840/0	1	Distanziale (Ruote 15")	Spacer (Wheels 15")	Entretoise (Roues 15")	Entfernungsstück (Räder 15")	
67	12691200/0	1	Vite	Screw	Vis	Schraube	
68	12293201/0	1	Dado	Nut	Ecrou	Mutter	

contact@omcphotoculture.com



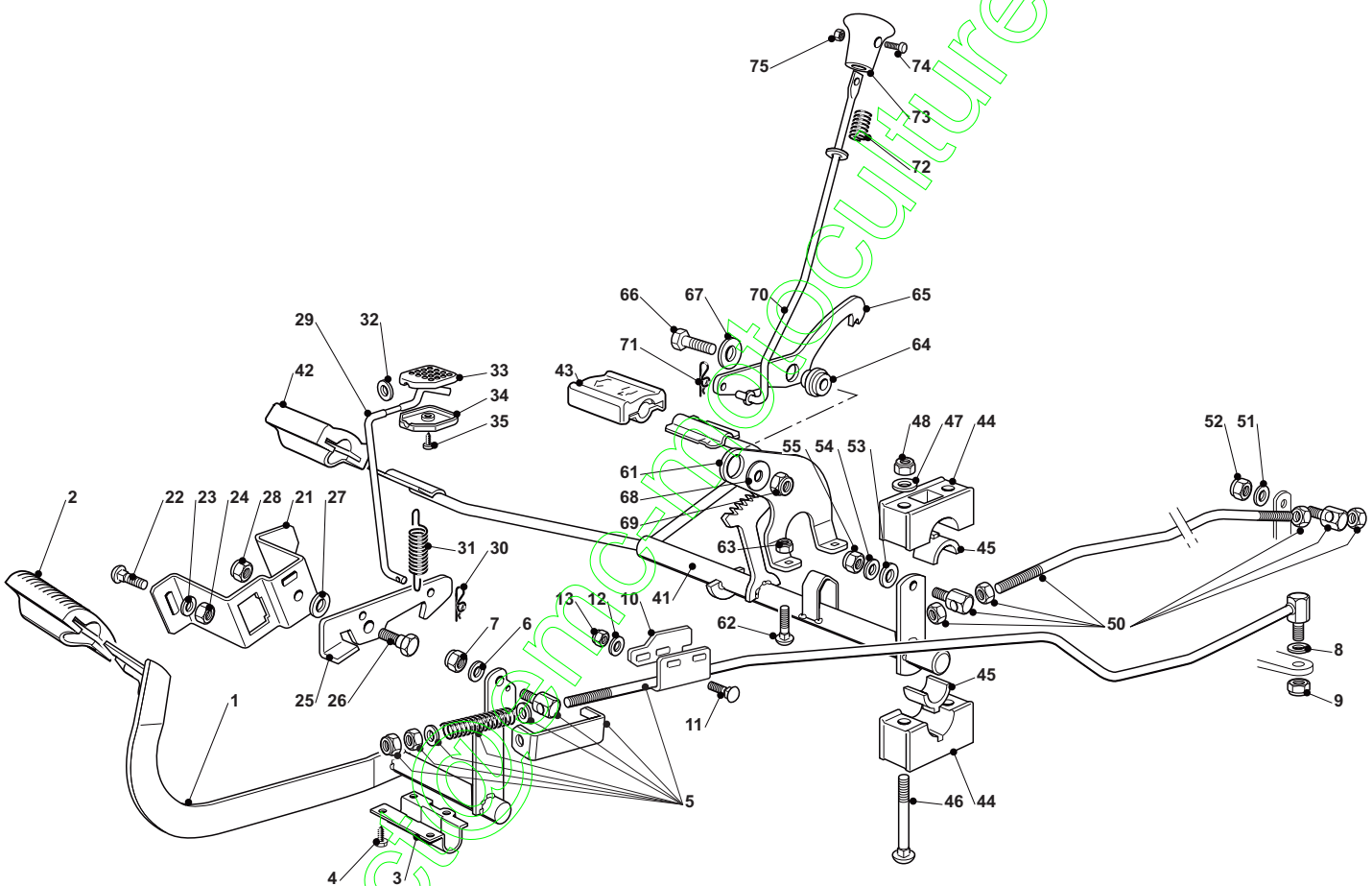
**Drive And Brake Controls**

POS	CODE	Q.TY	DESCRIZIONE	DESCRIPTION	DESCRIPTION	BESCHREIBUNG	NOTES
1	82500011/2	1	Pedale	Pedal	Pedal	Pedal	
2	325110416/0	1	Copristaffa	Clamp Cover	Couvre Etrier	Bridedeckel	
3	325547081/2	1	Piastrina	Plate	Plaque	Platte	
4	12731601/0	4	Vite	Screw	Vis	Schraube	
5	382000582/0	1	Asta	Rod	Barre	Stange	
6	12521350/0	1	Rondella	Washer	Rondelle	Scheibe	
7	12155000/0	1	Dado	Nut	Ecrou	Mutter	
8	12521360/0	2	Rondella	Washer	Rondelle	Scheibe	
9	12155000/0	1	Dado	Nut	Ecrou	Mutter	
21	325785143/1	1	Supporto	Support	Support	Halter	
22	12815210/0	2	Vite	Screw	Vis	Schraube	
23	12523040/0	1	Rosetta	Washer	Rondelle	Scheibe	
24	12154510/0	2	Dado	Nut	Ecrou	Mutter	
25	25253001/0	1	Gancio	Hook	Crochet	Haken	
26	22524970/2	1	Perno	Pin	Pivot	Bolzen	
27	25670011/0	1	Rondella	Washer	Rondelle	Scheibe	
28	12155000/0	1	Dado	Nut	Ecrou	Mutter	
29	125033097/0	1	Asta	Rod	Barre	Stange	
30	24487997/0	1	Coppiglia	Cotter Pin	Goupille	Splint	
31	25430213/0	1	Molla	Spring	Ressort	Feder	
32	12523040/0	1	Rosetta	Washer	Rondelle	Scheibe	
33	325592001/0	1	Pomello	Knob	Poignee	Griff	
34	325592002/0	1	Pomello	Knob	Poignee	Griff	
35	12727815/0	1	Vite	Screw	Vis	Schraube	
41	382000391/0	1	Pedale Avanzamento	Drive Pedal	Pedale Transmission	Getriebepedal	
42	325110417/0	1	Copristaffa Anteriore	Clamp Cover Front	Couvre Etrier Avant	Bridedeckel Vorde	
43	325110418/0	1	Copristaffa Posteriore	Clamp Cover Rear	Couvre Etrier Arriere	Bridedeckel Hinter	
44	325785354/0	4	Supporto	Support	Support	Halter	
45	325034003/0	4	Bronzina	Brass	Coussinet	Büchse	
46	112815271/0	4	Vite	Screw	Vis	Schraube	
47	12523040/0	4	Rosetta	Washer	Rondelle	Scheibe	
48	12154510/0	4	Dado	Nut	Ecrou	Mutter	
50	382000579/0	1	Asta	Rod	Barre	Stange	
51	12523040/0	1	Rosetta	Washer	Rondelle	Scheibe	
52	12154510/0	1	Dado	Nut	Ecrou	Mutter	
53	12521360/0	1	Rondella	Washer	Rondelle	Scheibe	
54	12523040/0	1	Rosetta	Washer	Rondelle	Scheibe	
55	12154510/0	1	Dado	Nut	Ecrou	Mutter	

contact@enc-motoculture.com



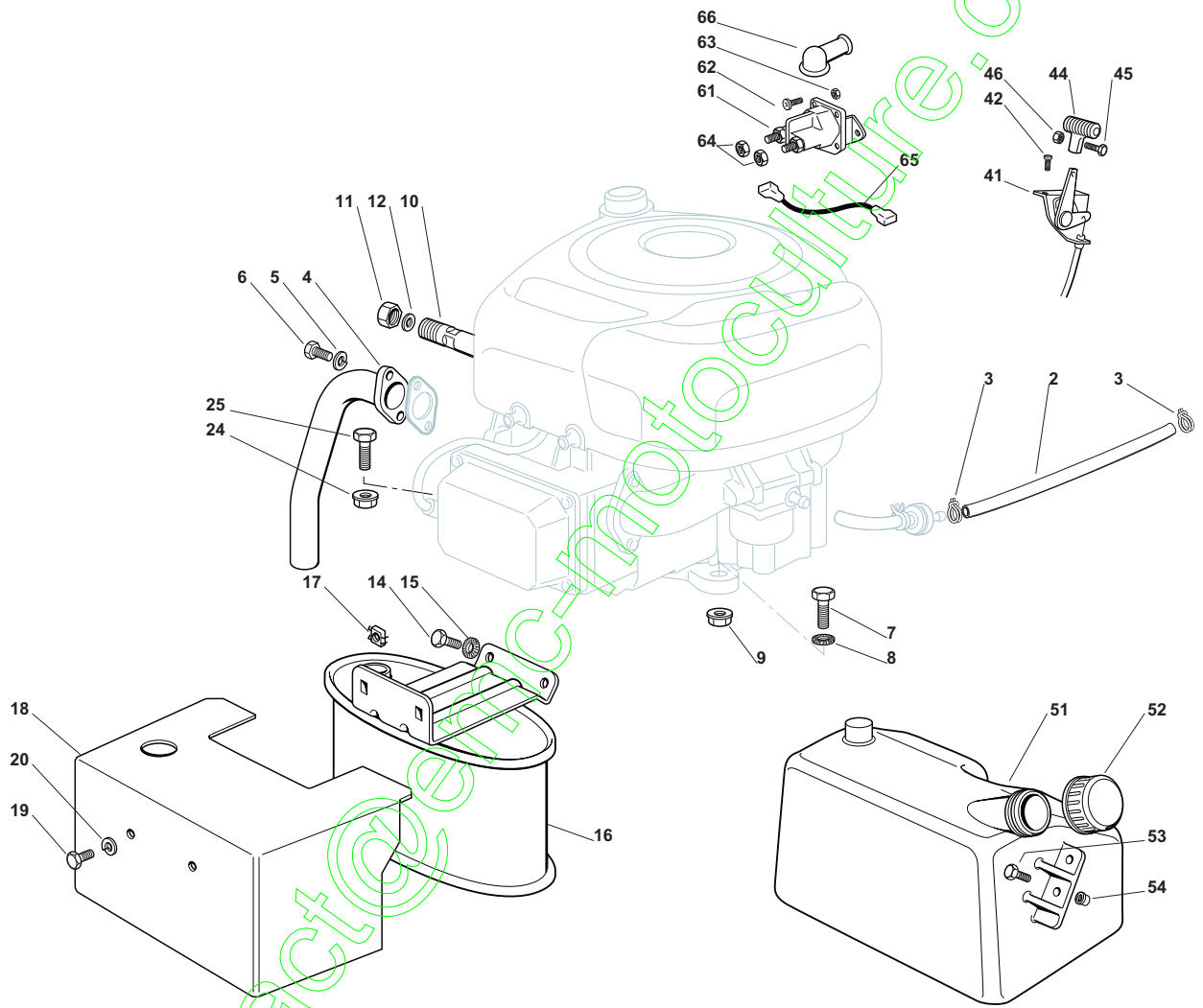
contactculture.com



**Drive And Brake Controls**

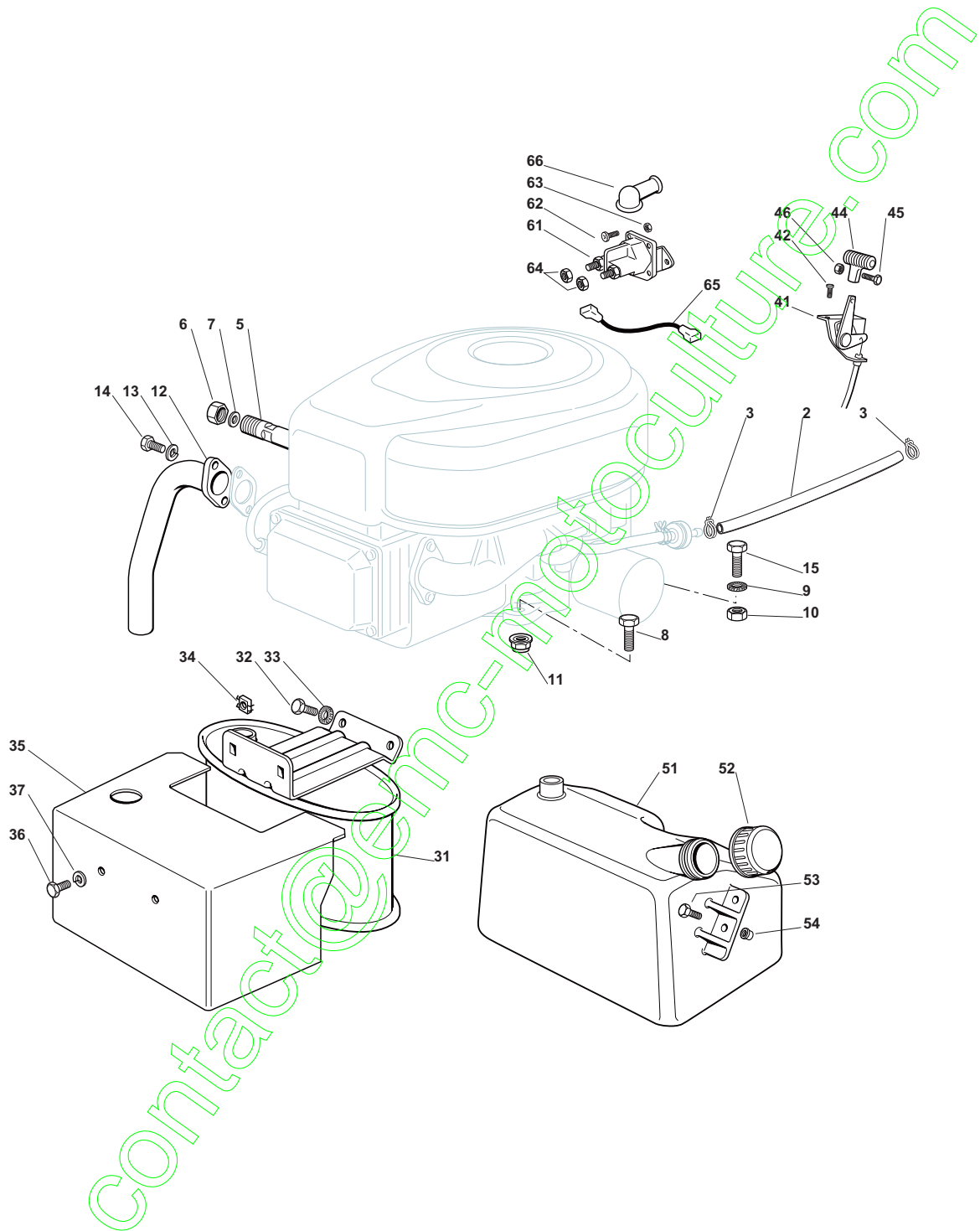
 In parts list notes identify as models with **Cruise Control**

POS	CODE	Q.TY	DESCRIZIONE	DESCRIPTION	DESCRIPTION	BESCHREIBUNG	NOTES
1	82500011/2	1	Pedale	Pedal	Pedal	Pedal	
2	325110416/0	1	Copristaffa	Clamp Cover	Couvre Etrier	Bridedeckel	
3	325547081/2	1	Piastrina	Plate	Plaque	Platte	
4	12731601/0	4	Vite	Screw	Vis	Schraube	
5	382000582/0	1	Asta	Rod	Barre	Stange	
6	12521350/0	1	Rondella	Washer	Rondelle	Scheibe	
7	12155000/0	1	Dado	Nut	Ecrou	Mutter	
8	12521360/0	2	Rondella	Washer	Rondelle	Scheibe	
9	12155000/0	1	Dado	Nut	Ecrou	Mutter	
10	325547281/1	1	Piastrina	Plate	Plaque	Platte	
11	12815210/0	2	Vite	Screw	Vis	Schraube	
12	12523040/0	2	Rosetta	Washer	Rondelle	Scheibe	
13	12154510/0	2	Dado	Nut	Ecrou	Mutter	
21	325785143/1	1	Supporto	Support	Support	Halter	
22	12815210/0	2	Vite	Screw	Vis	Schraube	
23	12523040/0	1	Rosetta	Washer	Rondelle	Scheibe	
24	12154510/0	2	Dado	Nut	Ecrou	Mutter	
25	25253001/0	1	Gancio	Hook	Crochet	Haken	
26	22524970/2	1	Perno	Pin	Pivot	Bolzen	
27	25670011/0	1	Rondella	Washer	Rondelle	Scheibe	
28	12155000/0	1	Dado	Nut	Ecrou	Mutter	
29	125033097/0	1	Asta	Rod	Barre	Stange	
30	24487997/0	1	Coppiglia	Cotter Pin	Goupille	Splint	
31	25430213/0	1	Molla	Spring	Ressort	Feder	
32	12523020/0	1	Rosetta	Washer	Rondelle	Scheibe	
32	12523040/0	1	Rosetta	Washer	Rondelle	Scheibe	
33	325592001/0	1	Pomello	Knob	Poignee	Griff	
34	325592002/0	1	Pomello	Knob	Poignee	Griff	
35	12727815/0	1	Vite	Screw	Vis	Schraube	
41	382000389/0	1	Pedale Avanzamento	Drive Pedal	Pedale Transmission	Getriebepedal	
42	325110417/0	1	Copristaffa Anteriore	Clamp Cover Front	Couvre Etrier Avant	Bridedeckel Vorde	
43	325110418/0	1	Copristaffa Posteriore	Clamp Cover Rear	Couvre Etrier Arriere	Bridedeckel Hinter	
44	325785354/0	4	Supporto	Support	Support	Halter	
45	325034003/0	4	Bronzina	Brass	Coussinet	Büchse	
46	112815271/0	4	Vite	Screw	Vis	Schraube	
47	12523040/0	4	Rosetta	Washer	Rondelle	Scheibe	
48	12154510/0	4	Dado	Nut	Ecrou	Mutter	
50	382000579/0	1	Asta	Rod	Barre	Stange	
51	12523040/0	1	Rosetta	Washer	Rondelle	Scheibe	
52	12154510/0	1	Dado	Nut	Ecrou	Mutter	
53	12521360/0	1	Rondella	Washer	Rondelle	Scheibe	
54	12523040/0	1	Rosetta	Washer	Rondelle	Scheibe	
55	12154510/0	1	Dado	Nut	Ecrou	Mutter	
61	325774477/0	1	Staffa	Clamp	Etrier	Bride	
62	12815210/0	2	Vite	Screw	Vis	Schraube	
63	12292102/0	2	Dado	Nut	Ecrou	Mutter	
64	125040638/0	1	Bussola	Bush	Douille	Büchse	
65	325022000/1	1	Gancio	Hook	Crochet	Haken	
66	12691100/0	1	Vite	Screw	Vis	Schraube	
67	12523060/0	1	Rondella	Washer	Rondelle	Scheibe	
68	22672152/0	1	Rondella	Washer	Rondelle	Scheibe	
69	12155000/0	1	Dado	Nut	Ecrou	Mutter	
70	125033091/0	1	Asta	Rod	Barre	Stange	
71	24487995/0	1	Coppiglia	Cotter Pin	Goupille	Split	
72	25430232/0	1	Molla	Spring	Ressort	Feder	
73	325605002/0	1	Pulsante	Button	Poussoir	Druckknopf	
74	112726389/0	1	Vite	Screw	Vis	Schraube	
75	12290800/0	1	Dado	Nut	Ecrou	Mutter	



POS	CODE	Q.TY	DESCRIZIONE	DESCRIPTION	DESCRIPTION	BESCHREIBUNG	NOTES
2	25869016/1	1	Tube Collegamento	Connecting Tube	Tube De Connexion	Verbindungsrohr	
3	18375051/1	2	Fascetta	Fair Led	Fixation De Cable	Kabelbefestigung	
4	18738224/0	1	Tube Scarico	Exhaust Tube	Tube Echappement	Abgasungrohr	
5	12583500/0	2	Grower	Grower	Grower	Grower	
6	12735530/0	2	Vite	Screw	Vis	Schraube	
7	12691115/0	1	Vite	Screw	Vis	Schraube	
8	12540260/0	1	Rondella	Washer	Rondelle	Scheibe	
9	12154210/0	1	Dado	Nut	Ecrou	Mutter	
10	25598050/0	1	Prolunga Scarico Olio	Oil Discharge Extension	Extension Dech. Huile	Öl Abfluss	
11	18737849/0	1	Tappo Per Prolunga	Oil Cap	Bouchon Huile	Oelverschluss	
12	18401001/1	1	Guarnizione	Oil Seal	Garniture	Dichtung	
14	12793102/0	2	Vite	Screw	Vis	Schraube	
15	12540260/0	2	Rondella	Washer	Rondelle	Scheibe	
16	182750010/0	1	Silenziatore	Muffler	Silenceux	Auspuff	
17	12360425/0	2	Dado	Nut	Ecrou	Mutter	
18	82598009/2	1	Protezione	Guard	Protection	Schutze	
19	12792611/0	2	Vite	Screw	Vis	Schraube	
20	12583500/0	2	Grower	Grower	Grower	Grower	
24	12154210/0	3	Dado	Nut	Ecrou	Mutter	
25	12691100/0	3	Vite	Screw	Vis	Schraube	
41	82000200/1	1	Acceleratore	Accelerator	Accelérateur	Gas Zug	
42	125943012/0	2	Vite	Screw	Vis	Schraube	
44	25394501/0	1	Manopolina	Handle	Poigne	Griff	
45	12726388/0	1	Vite	Screw	Vis	Schraube	
46	12290800/0	1	Dado	Nut	Ecrou	Mutter	
51	25735110/3	1	Serbatoio	Tank	Reservoir	Tank	
52	25795000/1	1	Tappo	Cap	Bouchon	Tankverschluss	
53	12788910/0	2	Vite	Screw	Vis	Schraube	
54	12500092/0	2	Rivetto	Rivet	Rivet	Niet	
61	18736110/0	1	Relé Avviamento	Starter Relay	Relais D'Allumage	Anlassrelais	
62	12791011/0	2	Vite	Screw	Vis	Schraube	
63	12292102/0	2	Dado	Nut	Ecrou	Mutter	
64	12360352/0	2	Dado	Nut	Ecrou	Mutter	
65	25065017/0	1	Cavo Relé Avv.	Cable	Cable	Kabel	
66	18564861/1	1	Cappuccio	Protection	Capuchon	Stecker	

contact@enc-motocultiv.com



Engine - B&S 15.5 HP

In parts list notes identify as **BS2**

POS	CODE	Q.TY	DESCRIZIONE	DESCRIPTION	DESCRIPTION	BESCHREIBUNG	NOTES
2	25869016/1	1	Tubo Collegamento	Connecting Tube	Tube De Connexion	Verbindungsrohr	
3	18375051/1	2	Fascetta	Fair Led	Fixation De Cable	Kabelbefestigung	
5	25598050/0	1	Prolunga Scarico Olio	Oil Discharge Extension	Extension Dech. Huile	Öl Abfluss	
6	18737849/0	1	Tappo Per Prolunga	Oil Cap	Bouchon Huile	Ölverschluss	
7	18401001/1	1	Guarnizione	Oil Seal	Garniture	Dichtung	
8	12691100/0	3	Vite	Screw	Vis	Schraube	
9	12540260/0	1	Rondella	Washer	Rondelle	Scheibe	
10	12154210/0	1	Dado	Nut	Ecrou	Mutter	
11	12154210/0	3	Dado	Nut	Ecrou	Mutter	
12	18738206/0	1	Tubo Scarico	Exhaust Tube	Tube Echappement	Abgasungrohr	
13	12583500/0	2	Grower	Grower	Grower	Grower	
14	12735530/0	2	Vite	Screw	Vis	Schraube	
15	12691115/0	1	Vite	Screw	Vis	Schraube	
31	182750010/0	1	Silenziatore	Muffler	Silenceux	Auspuff	
32	12793102/0	2	Vite	Screw	Vis	Schraube	
33	12540260/0	2	Rondella	Washer	Rondelle	Scheibe	
34	12360425/0	2	Dado	Nut (Mech.)	Ecrou	Mutter	
35	82598009/2	1	Protezione	Guard	Protection	Schutze	
36	12792611/0	2	Vite	Screw	Vis	Schraube	
37	12583500/0	2	Grower	Grower	Grower	Grower	
41	82000200/1	1	Acceleratore	Accelerator	Accelérateur	Gas Zug	
42	125943012/0	2	Vite	Screw	Vis	Schraube	
44	25394501/0	1	Manopolina	Handle	Poigne	Griff	
45	12726388/0	1	Vite	Screw	Vis	Schraube	
46	12290800/0	1	Dado	Nut	Ecrou	Mutter	
51	25735110/3	1	Serbatoio	Tank	Reservoir	Tank	use on models with engine BS1;BS2;BS3;K9;GGP;
52	25795000/1	1	Tappo	Cap	Bouchon	Tankverschluss	
53	12788910/0	2	Vite	Screw	Vis	Schraube	
54	12500092/0	2	Rivetto	Rivet	Rivet	Niet	
61	18736110/0	1	Relé Avviamento	Starter Relay	Relais D'Allumage	Anlassrelais	
62	12791011/0	2	Vite	Screw	Vis	Schraube	
63	12292102/0	2	Dado	Nut	Ecrou	Mutter	
64	12360352/0	2	Dado	Nut	Ecrou	Mutter	
65	25065017/0	1	Cavo Relé Avv.	Cable	Cable	Kabel	
66	18564861/1	1	Cappuccio	Protection	Capuchon	Stecker	

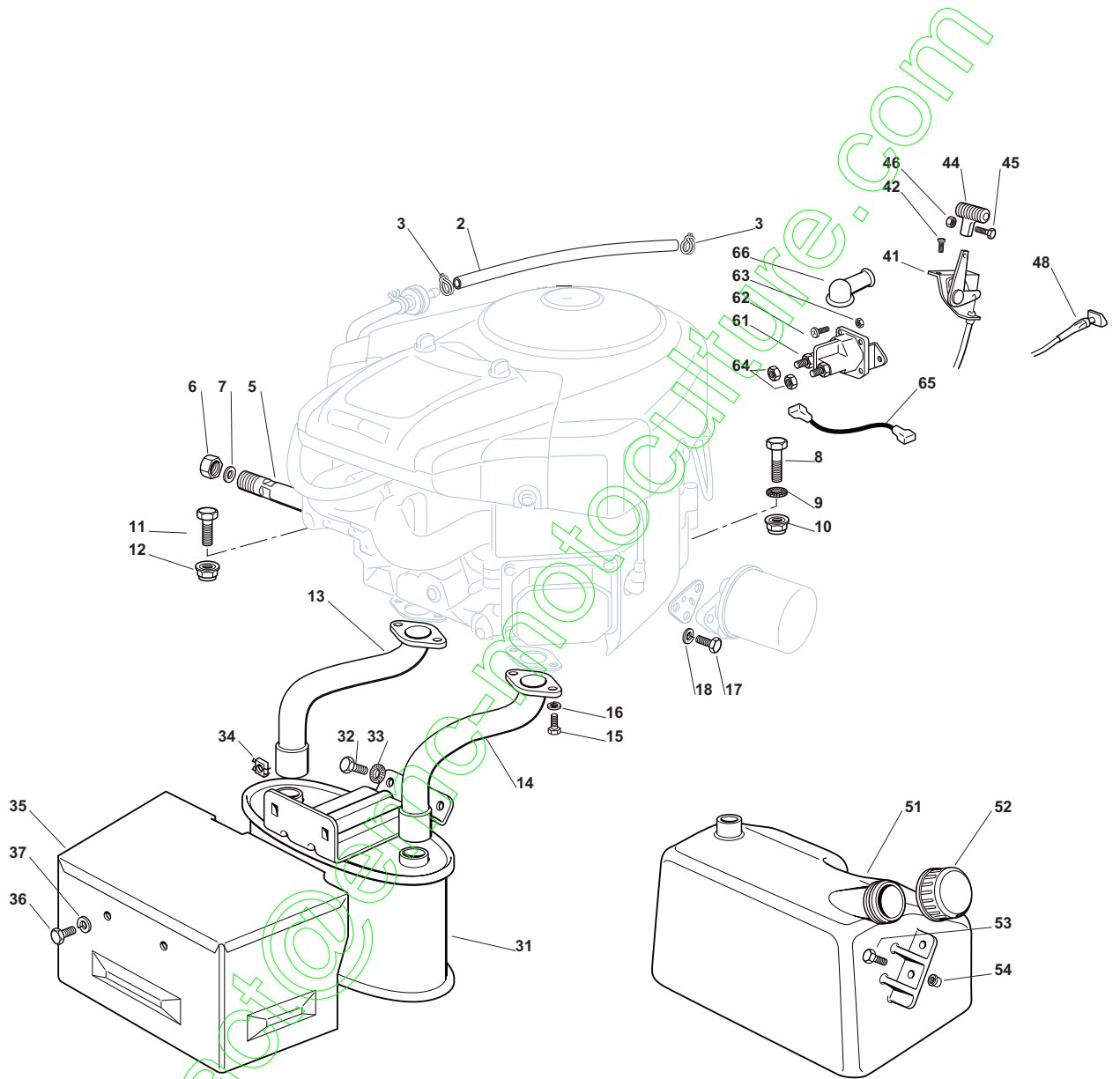
contact@enc-motoculture.com



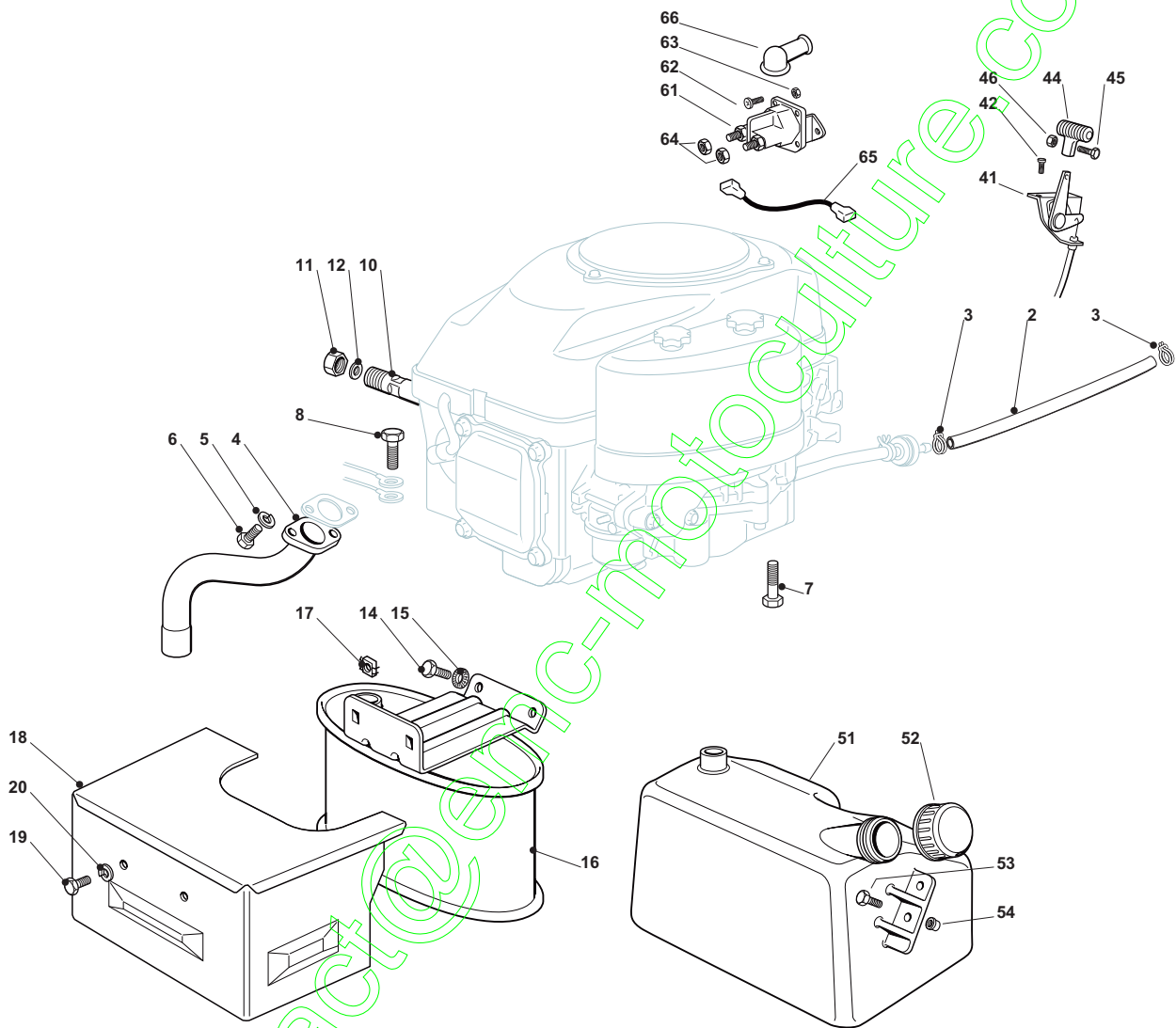


POS	CODE	Q.TY	DESCRIZIONE	DESCRIPTION	DESCRIPTION	BESCHREIBUNG	NOTES
2	25869016/1	1	Tubo Collegamento	Connecting Tube	Tube De Connexion	Verbindungsrohr	
3	18375051/1	2	Fascetta	Fair Led	Fixation De Cable	Kabelbefestigung	
5	25598050/0	1	Prolunga Scarico Olio	Oil Discharge Extension	Extension Dech. Huile	Öl Abfluss	
6	18737849/0	1	Tappo Per Prolunga	Oil Cap	Bouchon Huile	Ölverschluss	
7	18401001/1	1	Guarnizione	Oil Seal	Garniture	Dichtung	
8	12691100/0	3	Vite	Screw	Vis	Schraube	
9	12540260/0	1	Rondella	Washer	Rondelle	Scheibe	
10	12154210/0	1	Dado	Nut	Ecrou	Mutter	
11	12154210/0	3	Dado	Nut	Ecrou	Mutter	
12	18738206/0	1	Tubo Scarico	Exhaust Tube	Tube Echappement	Abgasrohr	
13	12583500/0	2	Grower	Grower	Grower	Grower	
14	12735530/0	2	Vite	Screw	Vis	Schraube	
15	12691115/0	1	Vite	Screw	Vis	Schraube	
31	182750010/0	1	Silenziatore	Muffler	Silenceux	Auspuff	
32	12793102/0	2	Vite	Screw	Vis	Schraube	
33	12540260/0	2	Rondella	Washer	Rondelle	Scheibe	
34	12360425/0	2	Dado	Nut (Mech.)	Ecrou	Mutter	
35	82598009/2	1	Protezione	Guard	Protection	Schutze	
36	12792611/0	2	Vite	Screw	Vis	Schraube	
37	12583500/0	2	Grower	Grower	Grower	Grower	
41	82000200/1	1	Acceleratore	Accelerator	Accelérateur	Gas Zug	
42	125943012/0	2	Vite	Screw	Vis	Schraube	
44	25394501/0	1	Manopolina	Handle	Poigne	Griff	
45	12726388/0	1	Vite	Screw	Vis	Schraube	
46	12290800/0	1	Dado	Nut	Ecrou	Mutter	
51	25735110/3	1	Serbatoio	Tank	Reservoir	Tank	use on models with engine BS1;BS2;BS3;K9;GGP;
52	25795000/1	1	Tappo	Cap	Bouchon	Tankverschluss	
53	12788910/0	2	Vite	Screw	Vis	Schraube	
54	12500092/0	2	Rivetto	Rivet	Rivet	Niet	
61	18736110/0	1	Relé Avviamento	Starter Relay	Relais D'Allumage	Anlassrelais	
62	12791011/0	2	Vite	Screw	Vis	Schraube	
63	12292102/0	2	Dado	Nut	Ecrou	Mutter	
64	12360352/0	2	Dado	Nut	Ecrou	Mutter	
65	25065017/0	1	Cavo Relé Avv.	Cable	Cable	Kabel	
66	18564861/1	1	Cappuccio	Protection	Capuchon	Stecker	

contact@enc-motoculture.com

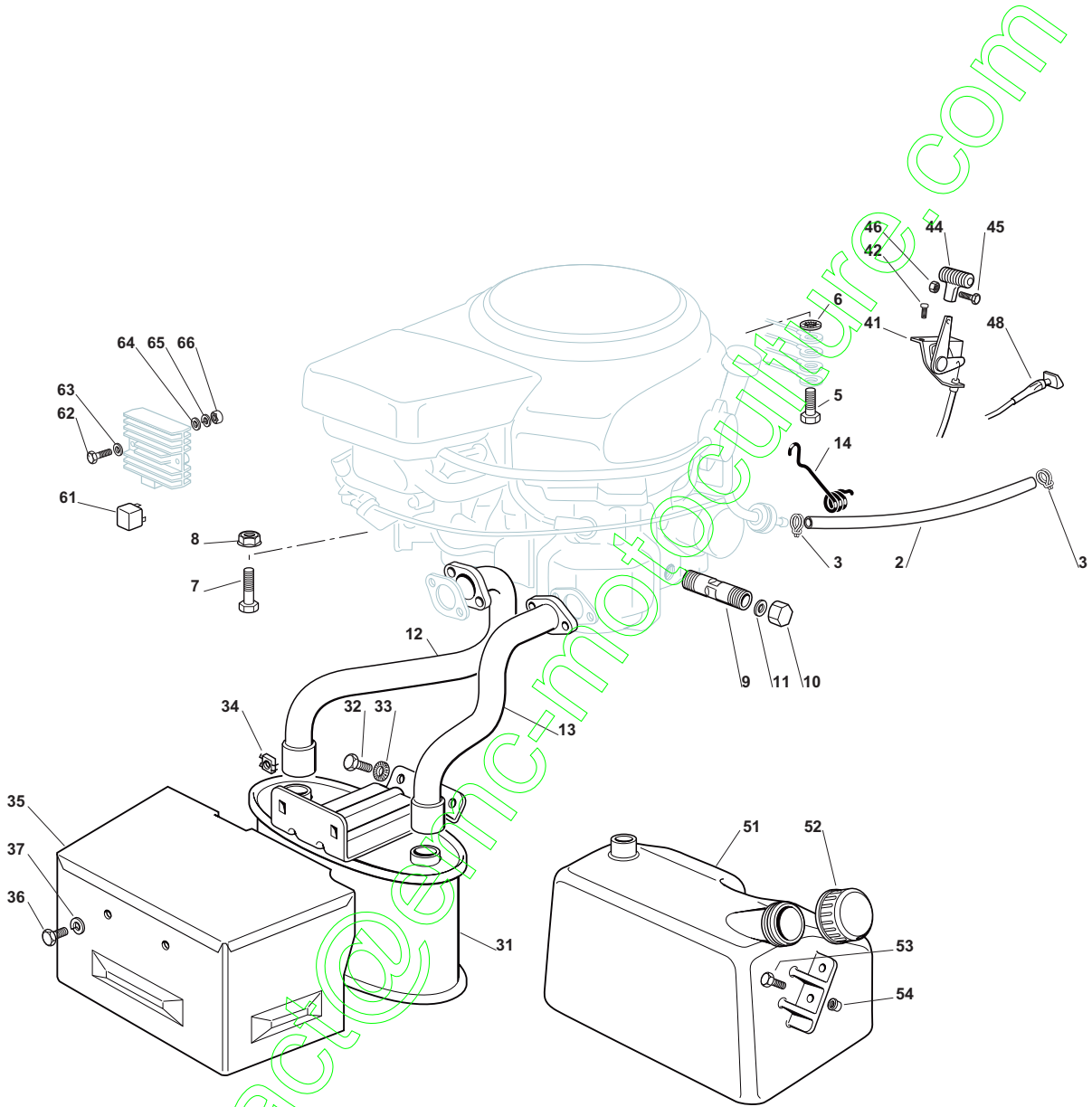


POS	CODE	Q.TY	DESCRIZIONE	DESCRIPTION	DESCRIPTION	BESCHREIBUNG	NOTES
2	25869016/1	1	Tabo Collegamento	Connecting Tube	Tube De Connexion	Verbindungsrohr	
3	18375051/1	2	Fascetta	Fair Led	Fixation De Cable	Kabelbefestigung	
5	25598050/0	1	Prolunga Scarico Olio	Oil Discharge Extension	Extension Dech. Huile	Öl Abfluss	
6	18737849/0	1	Tappo Per Prolunga	Oil Cap	Bouchon Huile	Oelverschluss	
7	18401001/1	1	Guarnizione	Oil Seal	Garniture	Dichtung	
8	12691115/0	1	Vite	Screw	Vis	Schraube	
9	12540260/0	1	Rondella	Washer	Rondelle	Scheibe	
10	12154210/0	1	Dado	Nut	Ecrou	Mutter	
11	12691100/0	3	Vite	Screw	Vis	Schraube	
12	12154210/0	3	Dado	Nut	Ecrou	Mutter	
13	18738214/0	1	Tabo Scarico Destro	Exhaust Tube Right	Tube Echappement Droit	Abgasrohr, Rechte	
14	18738215/0	1	Tabo Scarico Sinistro	Exhaust Tube Left	Tube Echappement Gau.	Abgasrohr, Linke	
15	12735530/0	4	Vite	Screw	Vis	Schraube	
16	12583500/0	4	Grower	Grower	Grower	Grower	
17	12791400/0	3	Vite	Screw	Vis	Schraube	
18	12582100/0	3	Grower	Grower	Bouchon Huile	Oelverschluss	
31	82750003/0	1	Silenziatore	Muffler	Silenceux	Auspuff	
32	12793102/0	2	Vite	Screw	Vis	Schraube	
33	12540260/0	2	Rondella	Washer	Rondelle	Scheibe	
34	12360425/0	2	Dado	Nut (Mech.)	Ecrou	Mutter	
35	82598005/2	1	Protezione	Guard	Protection	Schutze	
36	12792611/0	2	Vite	Screw	Vis	Schraube	
37	12583500/0	2	Grower	Grower	Grower	Grower	
41	82000211/1	1	Acceleratore	Accelerator	Accelérateur	Gas Zug	
42	125943012/0	2	Vite	Screw	Vis	Schraube	
44	25394501/0	1	Manopolina	Handle	Poigne	Griff	
45	12726388/0	1	Vite	Screw	Vis	Schraube	
46	12290800/0	1	Dado	Nut	Ecrou	Mutter	
51	25735111/3	1	Serbatoio, Indicatore Livello	Tank	Reservoir, Indicateur Niveau	Tank, Kraftstoffmesser	
52	25795000/1	1	Tappo	Cap	Bouchon	Tankverschluss	
53	12788910/0	2	Vite	Screw	Vis	Schraube	
54	12500092/0	2	Rivetto	Rivet	Rivet	Niet	
61	18736110/0	1	Relé Avviamento	Starter Relay	Relais D'Allumage	Anlassrelais	
62	12791011/0	2	Vite	Screw	Vis	Schraube	
63	12292102/0	2	Dado	Nut	Ecrou	Mutter	
64	12360352/0	2	Dado	Nut	Ecrou	Mutter	
65	25065017/0	1	Cavo Relé Avv.	Cable	Cable	Kabel	
66	18564861/1	1	Cappuccio	Protection	Capuchon	Stecker	



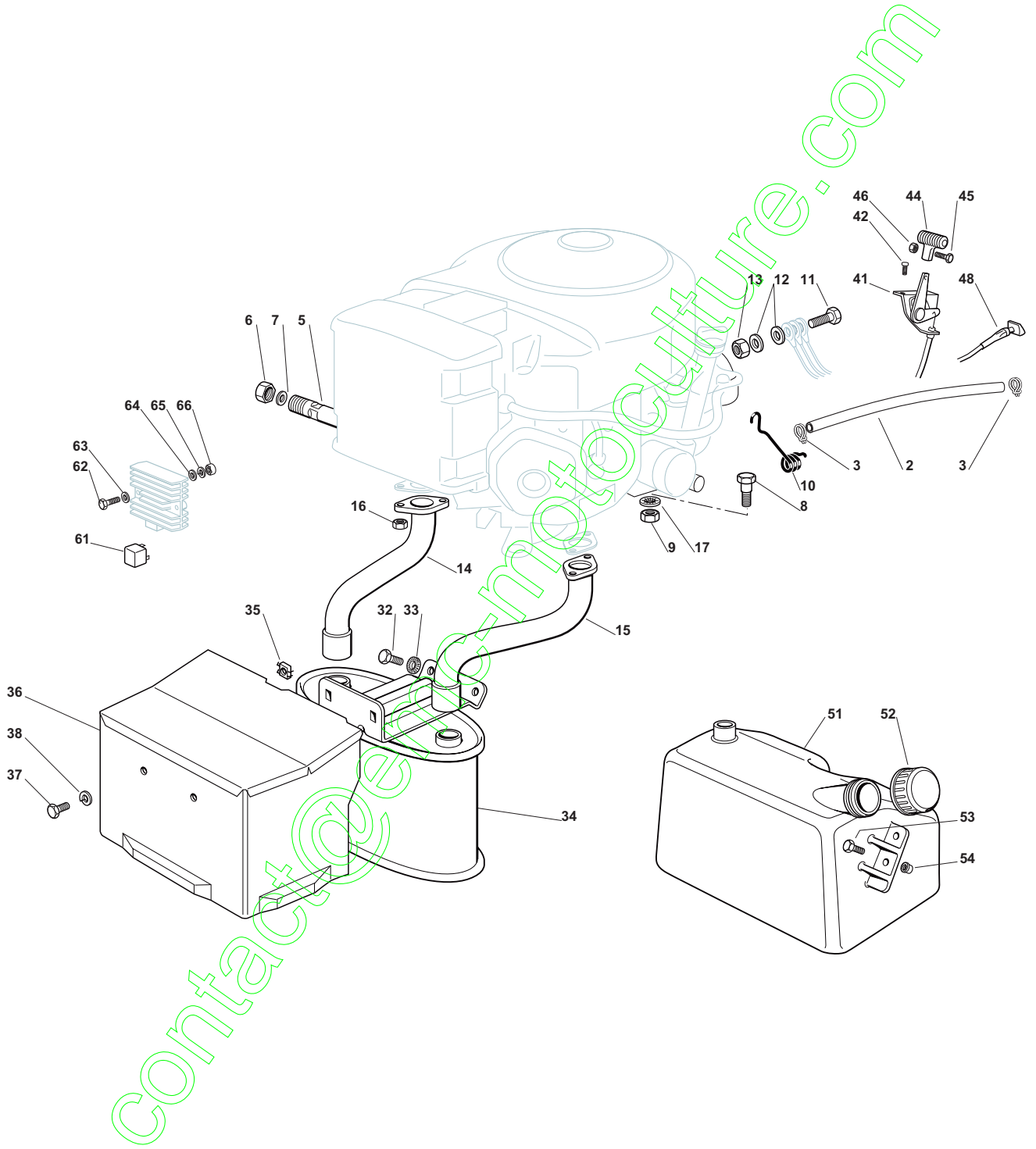
POS	CODE	Q.TY	DESCRIZIONE	DESCRIPTION	DESCRIPTION	BESCHREIBUNG	NOTES
2	25869057/0	1	Tube Collegamento (1000 Mm)	Connecting Tube (1000 Mm)	Tube De Connexion (1000 Mm)	Verbindungsrohr (1000 Mm)	
3	18375051/1	4	Fascetta	Fair Led	Fixation De Cable	Kabelbefestigung	
4	118738231/1	1	Tube Scarico	Exhaust Tube	Tube Echappement	Abgasungrohr	
5	12583500/0	2	Grower	Grower	Grower	Grower	
6	12737450/0	2	Vite	Screw	Vis	Schraube	
7	112735108/1	4	Vite	Screw	Vis	Schraube	
8	12735599/0	1	Vite	Screw	Vis	Schraube	
10	27598060/0	1	Prolunga Scarico Olio	Oil Discharge Extension	Extension Dech. Huile	Öl Abfluss	
11	18737849/0	1	Tappo Per Prolunga	Oil Cap	Bouchon Huile	Oelverschluss	
12	18401001/1	1	Guarnizione	Oil Seal	Garniture	Dichtung	
14	12793102/0	2	Vite	Screw	Vis	Schraube	
15	12540260/0	2	Rondella	Washer	Rondelle	Scheibe	
16	182750010/0	1	Silenziatore	Muffler	Silenceux	Auspuff	
17	12360425/0	2	Dado	Nut (Mech.)	Ecrou	Mutter	
18	382598039/0	1	Protezione	Guard	Protection	Schutz	
19	12792611/0	2	Vite	Screw	Vis	Schraube	
20	12583500/0	2	Grower	Grower	Grower	Grower	
41	182000212/0	1	Acceleratore	Accelerator	Accelérateur	Gas Zug	
42	125943012/0	2	Vite	Screw	Vis	Schraube	
44	25394501/0	1	Manopolina	Handle	Poigne	Griff	
45	12726388/0	1	Vite	Screw	Vis	Schraube	
46	12290800/0	1	Dado	Nut	Ecrou	Mutter	
51	25735110/3	1	Serbatoio	Tank	Reservoir	Tank	use on models with engine BS1;BS2;BS3;K9;GGP;
52	25795000/1	1	Tappo	Cap	Bouchon	Tankverschluss	
53	12788910/0	2	Vite	Screw	Vis	Schraube	
54	12500092/0	2	Rivetto	Rivet	Rivet	Niet	
61	18736110/0	1	Relé Avviamento	Starter Relay	Relais D Allumage	Anlassrelais	
62	12791011/0	2	Vite	Screw	Vis	Schraube	
63	12292102/0	2	Dado	Nut	Ecrou	Mutter	
64	12360352/0	2	Dado	Nut	Ecrou	Mutter	
65	25065017/0	1	Cavo Relé Avv.	Cable	Cable	Kabel	
66	18564861/1	1	Cappuccio	Protection	Capuchon	Stecker	

contact@emc-motocultiv.com



POS	CODE	Q.TY	DESCRIZIONE	DESCRIPTION	DESCRIPTION	BESCHREIBUNG	NOTES
2	25869027/1	1	Tubo Collegamento	Connecting Tube	Tube De Connexion	Verbindungsrohr	
3	18375051/1	2	Fascetta	Fair Led	Fixation De Cable	Kabelbefestigung	
5	12735599/0	1	Vite	Screw	Vis	Schraube	
6	12540260/0	1	Rondella	Washer	Rondelle	Scheibe	
7	12691115/0	4	Vite	Screw	Vis	Schraube	
8	12154210/0	4	Dado	Nut	Ecrou	Mutter	
9	25598052/0	1	Prolunga Scarico Olio	Oil Discharge Extension	Extension Dech. Huile	Öl Abfluss	
10	18737849/0	1	Tappo Per Prolunga	Oil Cap	Bouchon Huile	Ölverschluss	
11	18401001/1	1	Guarnizione	Oil Seal	Garniture	Dichtung	
12	18738221/0	1	Tubo Scarico Destro	Exhaust Tube Right	Tube Echappement Droit	Abgasrohr, Rechte	
13	18738222/0	1	Tubo Scarico Sinistro	Exhaust Tube Left	Tube Echappement Gau.	Abgasrohr, Linke	
14	27430562/0	1	Molla	Spring	Ressort	Feder	
31	82750003/0	1	Silenziatore	Muffler	Silenceux	Auspuff	
32	12793102/0	2	Vite	Screw	Vis	Schraube	
33	12540260/0	2	Rondella	Washer	Rondelle	Scheibe	
34	12360425/0	2	Dado	Nut (Mech.)	Ecrou	Mutter	
35	82598005/2	1	Protezione	Guard	Protection	Schutze	
36	12792611/0	2	Vite	Screw	Vis	Schraube	
37	12583500/0	2	Grower	Grower	Grower	Grower	
41	82000201/2	1	Acceleratore	Accelerator	Accelérateur	Gas Zug	
42	125943012/0	2	Vite	Screw	Vis	Schraube	
44	25394501/0	1	Manopolina	Handle	Poigne	Griff	
45	12726388/0	1	Vite	Screw	Vis	Schraube	
46	12290800/0	1	Dado	Nut	Ecrou	Mutter	
48	25090001/2	1	Comando Starter	Choke Control	Commande Starter	Starter Betaetigung	
51	25735111/3	1	Serbatoio, Indicatore Livello	Tank, Fuel Level Indicator	Reservoir, Indicateur Niveau	Tank, Kraftstoffmesser	use on models with engine BS4;H8;K10;H7
52	25795000/1	1	Tappo	Cap	Bouchon	Tankverschluss	
53	12788910/0	2	Vite	Screw	Vis	Schraube	
54	12500092/0	2	Rivetto	Rivet	Rivet	Niet	
61	33567000/0	1	Rele'	Relay	Relais	Relais	
62	12791500/0	2	Vite	Screw	Vis	Schraube	
63	12521330/0	2	Rosetta	Washer	Rondelle	Scheibe	
64	12521330/0	2	Rosetta	Washer	Rondelle	Scheibe	
65	12582100/0	2	Grower	Grower	Bouchon Huile	Ölverschluss	
66	12292100/0	2	Dado	Nut	Ecrou	Mutter	



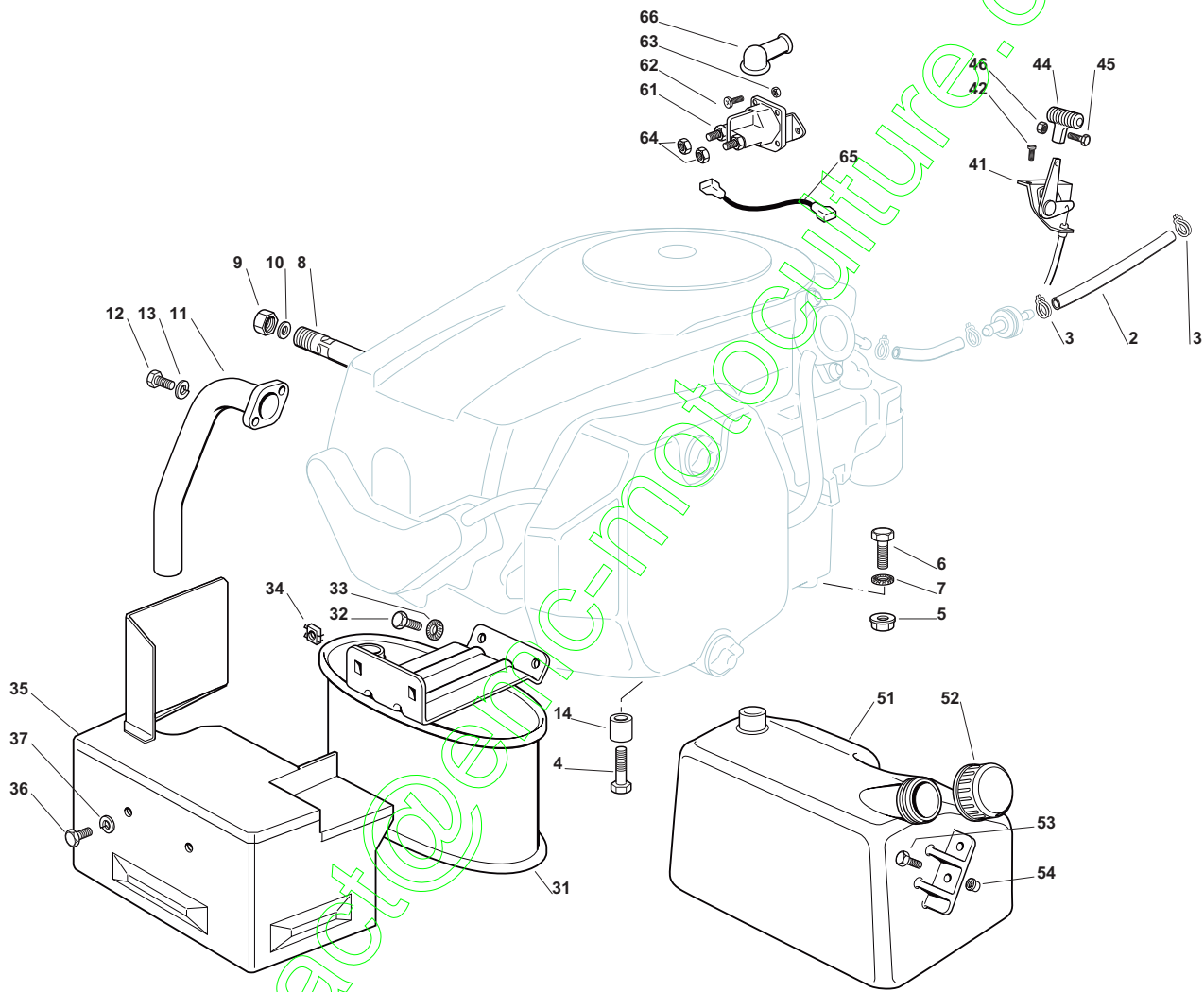


Engine - Honda GXV 620

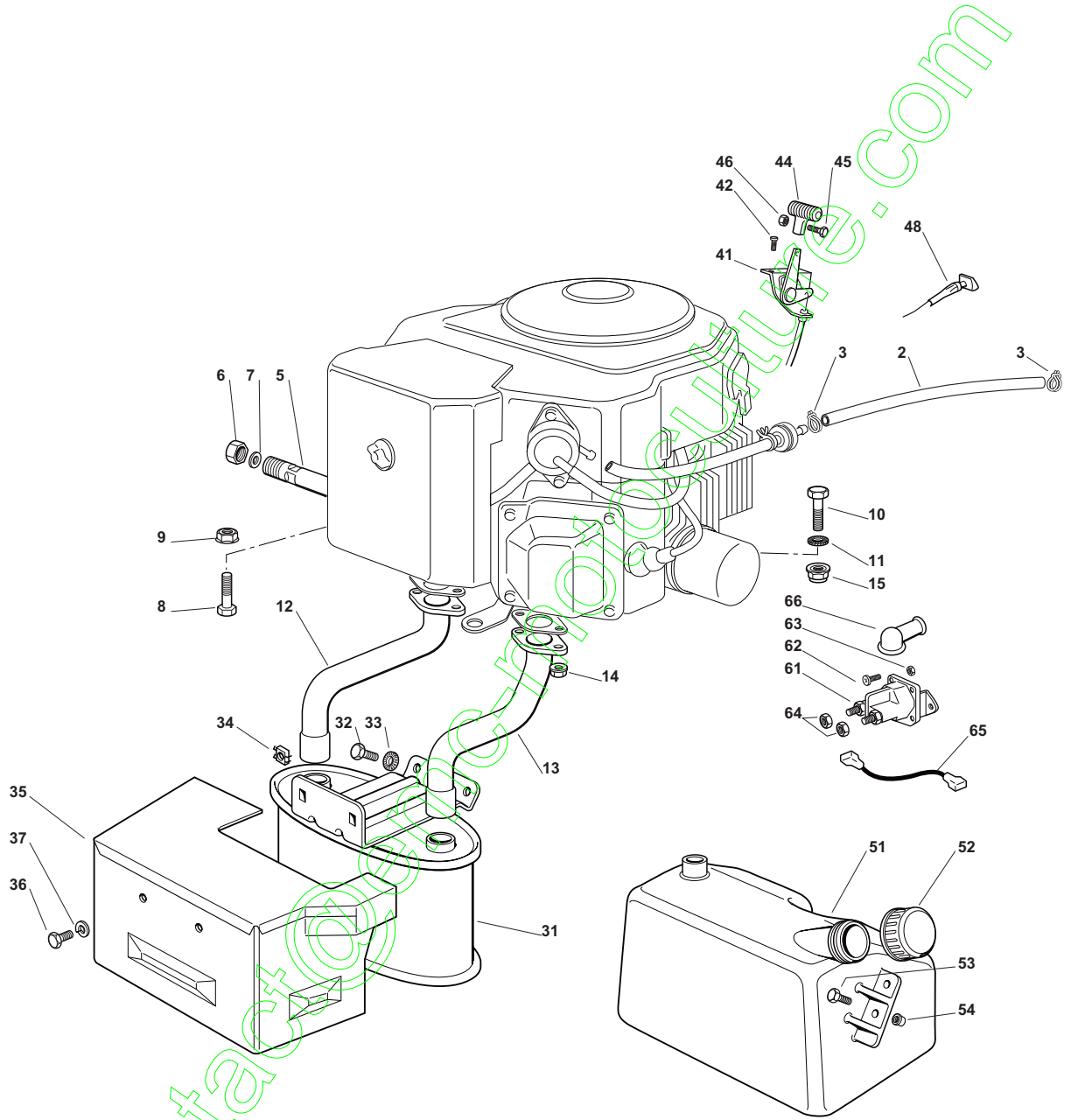
In parts list notes identify as H8

POS	CODE	Q.TY	DESCRIZIONE	DESCRIPTION	DESCRIPTION	BESCHREIBUNG	NOTES
2	25869033/1	1	Tubo Carburante	Tube	Tube	Rohr	
3	18375051/1	2	Fascetta	Fair Led	Fixation De Cable	Kabelbefestigung	
5	27598061/1	1	Prolunga Scarico Olio	Oil Discharge Extension	Extension Rallonge De Dech. Huile	Öl Entlerungsverlaen Gerung	
6	18737849/0	1	Tappo Per Prolunga	Oil Cap	Bouchon Huile	Oelverschluss	
7	18401001/1	1	Guarnizione	Oil Seal	Garniture	Dichtung	
8	25510028/1	4	Vite	Screw	Vis	Schraube	
9	12154210/0	4	Dado	Nut	Ecrou	Mutter	
10	27430561/0	1	Molla	Spring	Ressort	Feder	
11	12691115/0	1	Vite	Screw	Vis	Schraube	
12	12521350/0	2	Rondella	Washer	Rondelle	Scheibe	
13	12293201/0	1	Dado	Nut	Ecrou	Mutter	
14	118738243/0	1	Tubo Scarico Destro	Exaust Tube Right	Tube Echappement Droit	Abgasungrohr, Rechte	
15	118738244/0	1	Tubo Scarico Sinistro	Exaust Tube Left	Tube Echappement Gau.	Abgasungrohr, Linke	
16	12293201/0	4	Dado	Nut	Ecrou	Mutter	
17	12540260/0	1	Rondella	Washer	Rondelle	Scheibe	
32	12793102/0	2	Vite	Screw	Vis	Schraube	
33	12540260/0	2	Rondella	Washer	Rondelle	Scheibe	
34	82750003/0	1	Silenziatore	Muffler	Silenceux	Auspuff	
35	12360425/0	2	Dado	Nut	Ecrou	Mutter	
36	382598051/0	1	Protezione	Guard	Protection	Schutze	
37	12792611/0	2	Vite	Screw	Vis	Schraube	
38	12583500/0	2	Grower	Grower	Grower	Grower	
41	182000219/0	1	Acceleratore	Accelerator	Accelérateur	Gas Zug	
42	125943012/0	2	Vite	Screw	Vis	Schraube	
44	25394501/0	1	Manopolina	Handle	Poigne	Griff	
45	12726388/0	1	Vite	Screw	Vis	Schraube	
46	12290800/0	1	Dado	Nut	Ecrou	Mutter	
48	125090007/0	1	Comando Starter	Choke Control	Commande Starter	Starter Betaetigung	
51	25735111/3	1	Serbatoio, Indicatore Livello	Tank, Fuel Level Indicator	Reservoir, Indicateur Niveau	Tank, Kraftstoffmesser	use on models with engine BS4;H8;K10;H7
52	25795000/1	1	Tappo	Cap	Bouchon	Tankverschluss	
53	12788910/0	2	Vite	Screw	Vis	Schraube	
54	12500092/0	2	Rivetto	Rivet	Rivet	Niet	
61	33567000/0	1	Rele'	Relay	Relais	Relais	
62	12791500/0	2	Vite	Screw	Vis	Schraube	
63	12521330/0	2	Rosetta	Washer	Rondelle	Scheibe	
64	12521330/0	2	Rosetta	Washer	Rondelle	Scheibe	
65	12582100/0	2	Grower	Grower	Bouchon Huile	Oelverschluss	
66	12292100/0	2	Dado	Nut	Ecrou	Mutter	

contact@emc-photoculture.com



POS	CODE	Q.TY	DESCRIZIONE	DESCRIPTION	DESCRIPTION	BESCHREIBUNG	NOTES
2	25869016/1	1	Tube Collegamento	Connecting Tube	Tube De Connexion	Verbindungsrohr	
3	18375051/1	2	Fascetta	Fair Led	Fixation De Cable	Kabelbefestigung	
4	112735108/1	3	Vite	Screw	Vis	Schraube	
5	12154210/0	1	Dado	Nut	Ecrou	Mutter	
6	12691115/0	1	Vite	Screw	Vis	Schraube	
7	12540260/0	1	Rondella	Washer	Rondelle	Scheibe	
8	27598060/0	1	Prolunga Scarico Olio	Oil Discharge Extension	Extension Dech. Huile	Öl Abfluss	
9	18737849/0	1	Tappo Per Prolunga	Oil Cap	Bouchon Huile	Ölverschluss	
10	18401001/1	1	Guarnizione	Oil Seal	Garniture	Dichtung	
11	18738227/0	1	Tube Scarico	Exhaust Tube	Tube Echappement	Abgasrohr	
12	12735530/0	2	Vite	Screw	Vis	Schraube	
13	12583500/0	2	Grower	Grower	Grower	Grower	
14	25160035/0	3	Distanziale	Spacer	Entretoise	Entfernungsstück	
31	182750010/0	1	Silenziatore	Muffler	Silenceux	Auspuff	
32	12793102/0	2	Vite	Screw	Vis	Schraube	
33	12540260/0	2	Rondella	Washer	Rondelle	Scheibe	
34	12360425/0	2	Dado	Nut (Mech.)	Ecrou	Mutter	
35	82598029/0	1	Protezione	Guard	Protection	Schutze	
36	12792611/0	2	Vite	Screw	Vis	Schraube	
37	12583500/0	2	Grower	Grower	Grower	Grower	
41	82000200/1	1	Acceleratore	Accelerator	Accelérateur	Gas Zug	
42	125943012/0	2	Vite	Screw	Vis	Schraube	
44	25394501/0	1	Manopolina	Handle	Poigne	Griff	
45	12726388/0	1	Vite	Screw	Vis	Schraube	
46	12290800/0	1	Dado	Nut	Ecrou	Mutter	
51	25735110/3	1	Serbatoio	Tank	Reservoir	Tank	use on models with engine BS1;BS2;BS3;K9;GGP;
52	25795000/1	1	Tappo	Cap	Bouchon	Tankverschluss	
53	12788910/0	2	Vite	Screw	Vis	Schraube	
54	12500092/0	2	Rivetto	Rivet	Rivet	Niet	
61	18736110/0	1	Relé Avviamento	Starter Relay	Relais D'Allumage	Anlassrelais	
62	12791011/0	2	Vite	Screw	Vis	Schraube	
63	12292102/0	2	Dado	Nut	Ecrou	Mutter	
64	12360352/0	2	Dado	Nut	Ecrou	Mutter	
65	25065017/0	1	Cavo Relé Avv.	Cable	Cable	Kabel	
66	18564861/1	1	Cappuccio	Protection	Capuchon	Stecker	

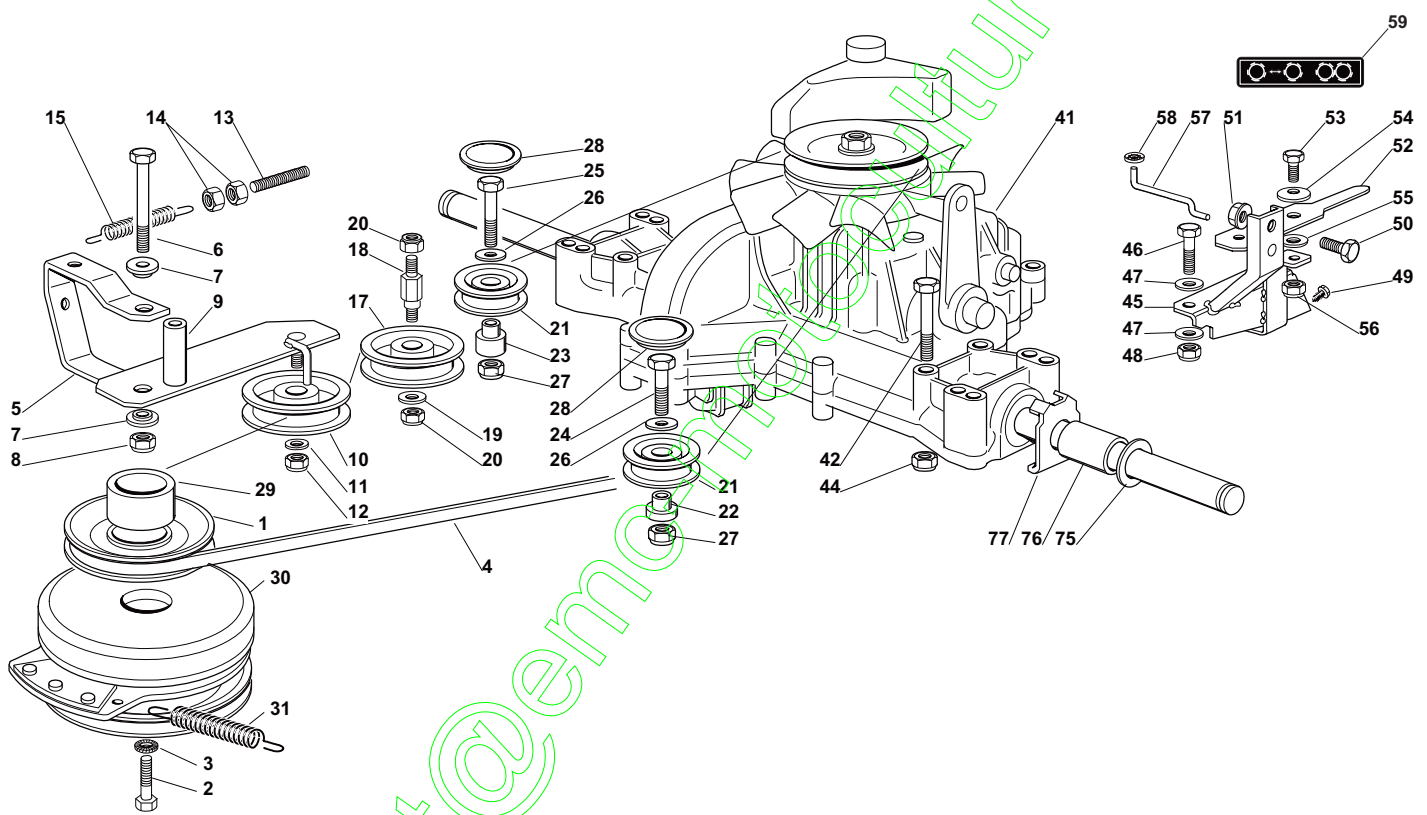


Engine - Kohler 20 - 25 HP

In parts list notes identify as K10

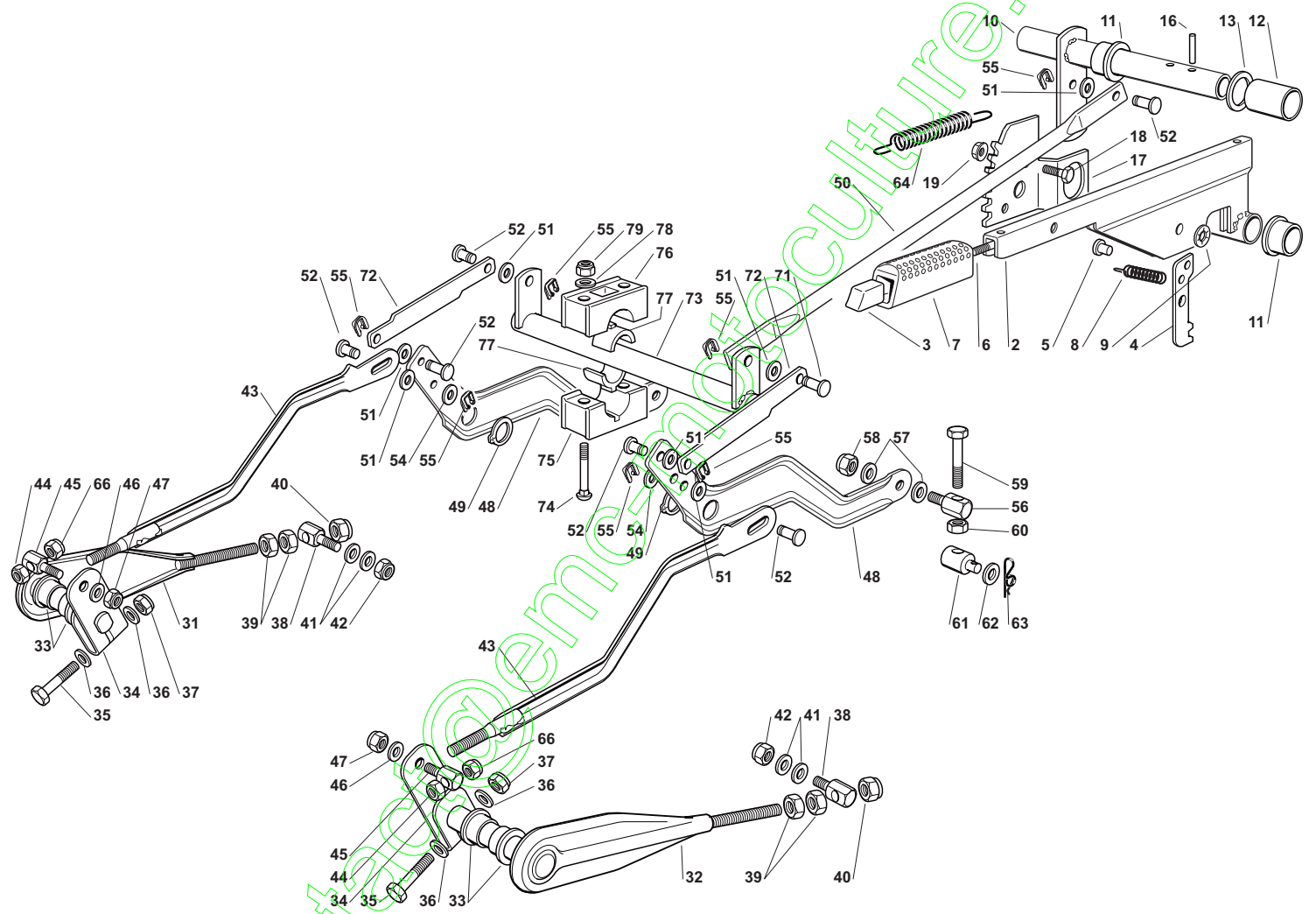
POS	CODE	Q.TY	DESCRIZIONE	DESCRIPTION	DESCRIPTION	BESCHREIBUNG	NOTES
2	25869016/1	1	Tubo Collegamento	Connecting Tube	Tube De Connexion	Verbindungsrohr	
3	18375051/1	2	Fascetta	Fair Led	Fixation De Cable	Kabelbefestigung	
5	25598050/0	1	Prolunga Scarico Olio	Oil Discharge Extension	Extension Dech. Huile	Öl Abfluss	
6	18737849/0	1	Tappo Per Prolunga	Oil Cap	Bouchon Huile	Oelverschluss	
7	18401001/1	1	Guarnizione	Oil Seal	Garniture	Dichtung	
8	12691100/0	3	Vite	Screw	Vis	Schraube	
8	112735108/0	3	Vite	Screw	Vis	Schraube	
9	12154210/0	3	Dado	Nut	Ecrou	Mutter	
10	12691115/0	1	Vite	Screw	Vis	Schraube	
11	12540260/0	1	Rondella	Washer	Rondelle	Scheibe	
12	18738207/1	1	Tubo Scarico Destro	Exhaust Tube Right	Tube Echappement Droit	Abgasrohr, Rechte	
13	18738208/1	1	Tubo Scarico Sinistro	Exhaust Tube Left	Tube Echappement Gau.	Abgasrohr, Linke	
14	12293201/0	4	Dado	Nut	Ecrou	Mutter	
15	12154210/0	1	Dado	Nut	Ecrou	Mutter	
31	82750003/0	1	Silenziatore	Muffler	Silenceux	Auspuff	
32	12793102/0	2	Vite	Screw	Vis	Schraube	
33	12540260/0	2	Rondella	Washer	Rondelle	Scheibe	
34	12360425/0	2	Dado	Nut (Mech.)	Ecrou	Mutter	
35	82598013/1	1	Protezione	Guard	Protection	Schutze	
36	12792611/0	2	Vite	Screw	Vis	Schraube	
37	12583500/0	2	Grower	Grower	Grower	Grower	
41	82000204/1	1	Acceleratore	Accelerator	Accelérateur	Gas Zug	
42	125943012/0	2	Vite	Screw	Vis	Schraube	
44	25394501/0	1	Manopolina	Handle	Poigne	Griff	
45	12726388/0	1	Vite	Screw	Vis	Schraube	
46	12290800/0	1	Dado	Nut	Ecrou	Mutter	
48	25090004/0	1	Comando Starter	Choke Control	Commande Starter	Starter Betaetigung	
51	25735111/3	1	Serbatoio, Indicatore Livello	Tank, Fuel Level Indicator	Reservoir, Indicateur Niveau	Tank, Kraftstoffmesser	use on models with engine BS4;H8;K10;H7
52	25795000/1	1	Tappo	Cap	Bouchon	Tankverschluss	
53	12788910/0	2	Vite	Screw	Vis	Schraube	
54	12500092/0	2	Rivetto	Rivet	Rivet	Niet	
61	18736110/0	1	Relé Avviamento	Starter Relay	Relais D'Allumage	Anlassrelais	
62	12791011/0	2	Vite	Screw	Vis	Schraube	
63	12292102/0	2	Dado	Nut	Ecrou	Mutter	
64	12360352/0	2	Dado	Nut	Ecrou	Mutter	
65	25065017/0	1	Cavo Relé Avv.	Cable	Cable	Kabel	
66	18564861/1	1	Cappuccio	Protection	Capuchon	Stecker	

contact@amc-protoculture.com



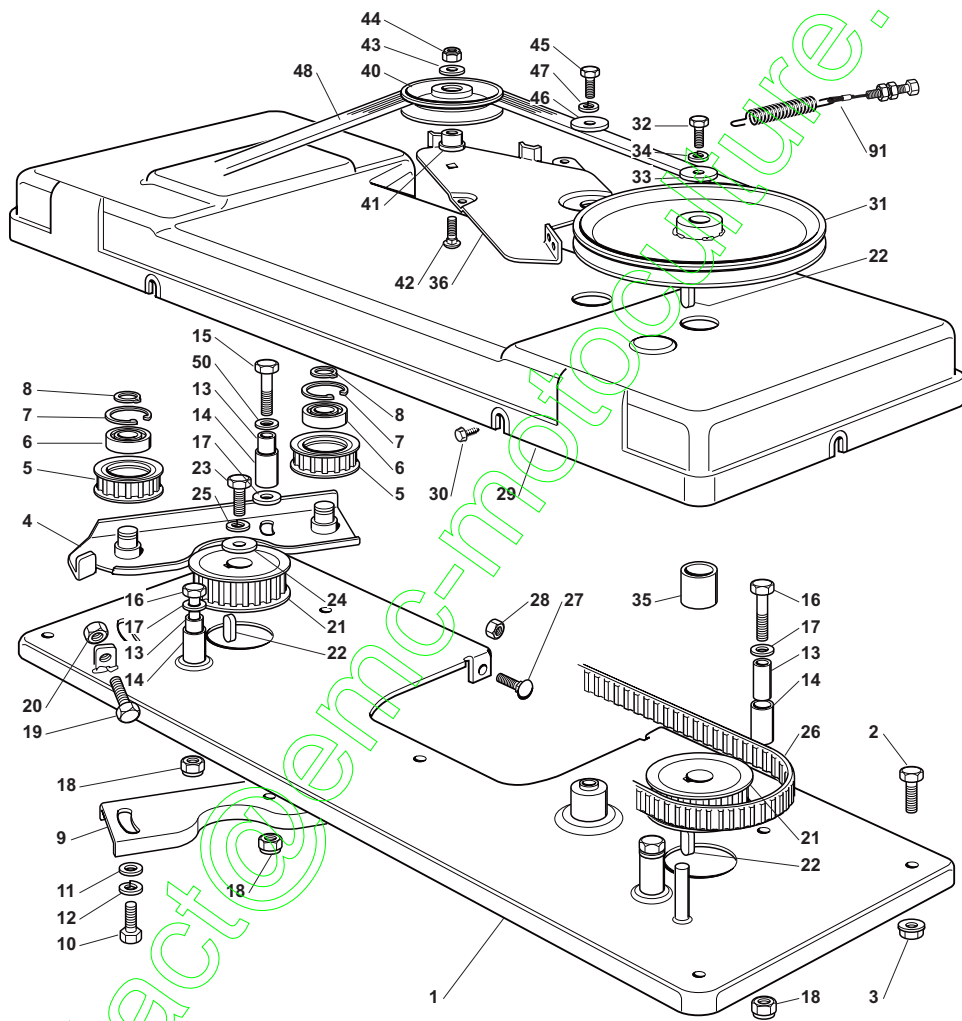


Transmission							
POS	CODE	Q.TY	DESCRIZIONE	DESCRIPTION	DESCRIPTION	BESCHREIBUNG	NOTES
1	25601566/0	1	Puleggia	Pulley	Poulie	Riemenscheibe	
2	12737320/0	1	Vite	Screw	Vis	Schraube	
3	12543000/0	1	Rosetta	Washer	Rondelle	Scheibe	
4	35062001/0	1	Cinghia	Belt	Courroie	Riemen	
5	82318165/1	1	Leva	Lever	Levier	Hebel	
6	12692000/0	1	Vite	Screw	Vis	Schraube	
7	25038002/1	2	Boccola	Bush	Douille	Büchse	
8	12155000/0	1	Dado	Nut	Ecrou	Mutter	
9	25160027/0	1	Distanziale	Spacer	Entretoise	Entfernungsstück	
10	25601554/0	1	Puleggia	Pulley	Poulie	Riemenscheibe	
11	12523060/0	1	Rondella	Washer	Rondelle	Scheibe	
12	12155000/0	1	Dado	Nut	Ecrou	Mutter	
13	25840010/1	1	Tirante	Tie Rod	Tirant	Spannstange	
14	12293200/0	2	Dado	Nut	Ecrou	Mutter	
15	25430219/0	1	Molla	Spring	Ressort	Feder	
17	25601555/0	1	Puleggia	Pulley	Poulie	Riemenscheibe	
18	25510036/1	1	Perno	Pin	Pivot	Bolzen	
19	12523060/0	1	Rondella	Washer	Rondelle	Scheibe	
20	12155000/0	2	Dado	Nut	Ecrou	Mutter	
21	325601570/1	2	Puleggia	Pulley	Poulie	Riemenscheibe	
22	125160030/2	1	Distanziale Sinistro	Left Spacer	Entretoise Gauche	Linker Entwernungsstück	
23	125160024/2	1	Distanziale Destro	Right Spacer	Entretoise Droite	Rechter Entwernungsstück	
24	12691115/0	1	Vite	Screw	Vis	Schraube	
25	12691400/0	1	Vite	Screw	Vis	Schraube	
26	12523060/0	2	Rondella	Washer	Rondelle	Scheibe	
27	12155000/0	2	Dado	Nut	Ecrou	Mutter	
28	25109521/1	2	Coperchio	Cover	Couvercle	Deckel	
29	25160021/0	1	Distanziale	Spacer	Entretoise	Entfernungsstück	
30	118399062/0	1	Frizione	Clutc	Embrajage	Kupplung	
31	125430210/1	1	Molla	Spring	Ressort	Feder	
41	18400950/1	1	Asse Posteriore Tuff Torq K46F	Rear Axle	Axe Arriere Tuff Torq K46F	Hinterachse Tuff Torq K46F	Tuff Torq K46F
42	12691800/0	4	Vite	Screw	Vis	Schraube	
44	12154210/0	4	Dado	Nut	Ecrou	Mutter	
45	82785109/0	1	Supporto	Support	Support	Halter	
46	12691200/0	1	Vite	Screw	Vis	Schraube	
47	12521350/0	2	Rondella	Washer	Rondelle	Scheibe	
48	12155000/0	1	Dado	Nut	Ecrou	Mutter	
49	12735120/0	2	Vite	Screw	Vis	Schraube	
50	12792611/0	1	Vite	Screw	Vis	Schraube	
51	12293201/0	1	Dado	Nut	Ecrou	Mutter	
52	25318157/0	1	Leva	Lever	Levier	Hebel	
53	12793102/0	1	Vite	Screw	Vis	Schraube	
54	12369500/0	1	Disco Elastico	Elastic Washer	Disque Elastique	Federscheibe	
55	25670011/0	1	Rondella	Washer	Rondelle	Scheibe	
56	12155000/0	1	Dado	Nut	Ecrou	Mutter	
57	25033033/0	1	Asta	Rod	Barre	Stange	
58	12604896/0	1	Fissatore A Corona	Crown Fastener	Fixateur A Couronne	Kronescheibe	
59	114357423/2	1	Etichetta	Label	Etiquette	Klebzettel	
75	25670005/1	4	Rosetta	Washer	Rondelle	Scheibe	
76	25160023/0	2	Distanziale	Spacer	Entretoise	Entfernungsstück	
77	325670025/0	2	Rondella	Washer	Rondelle	Scheibe	



**Cutting Plate Lifting**

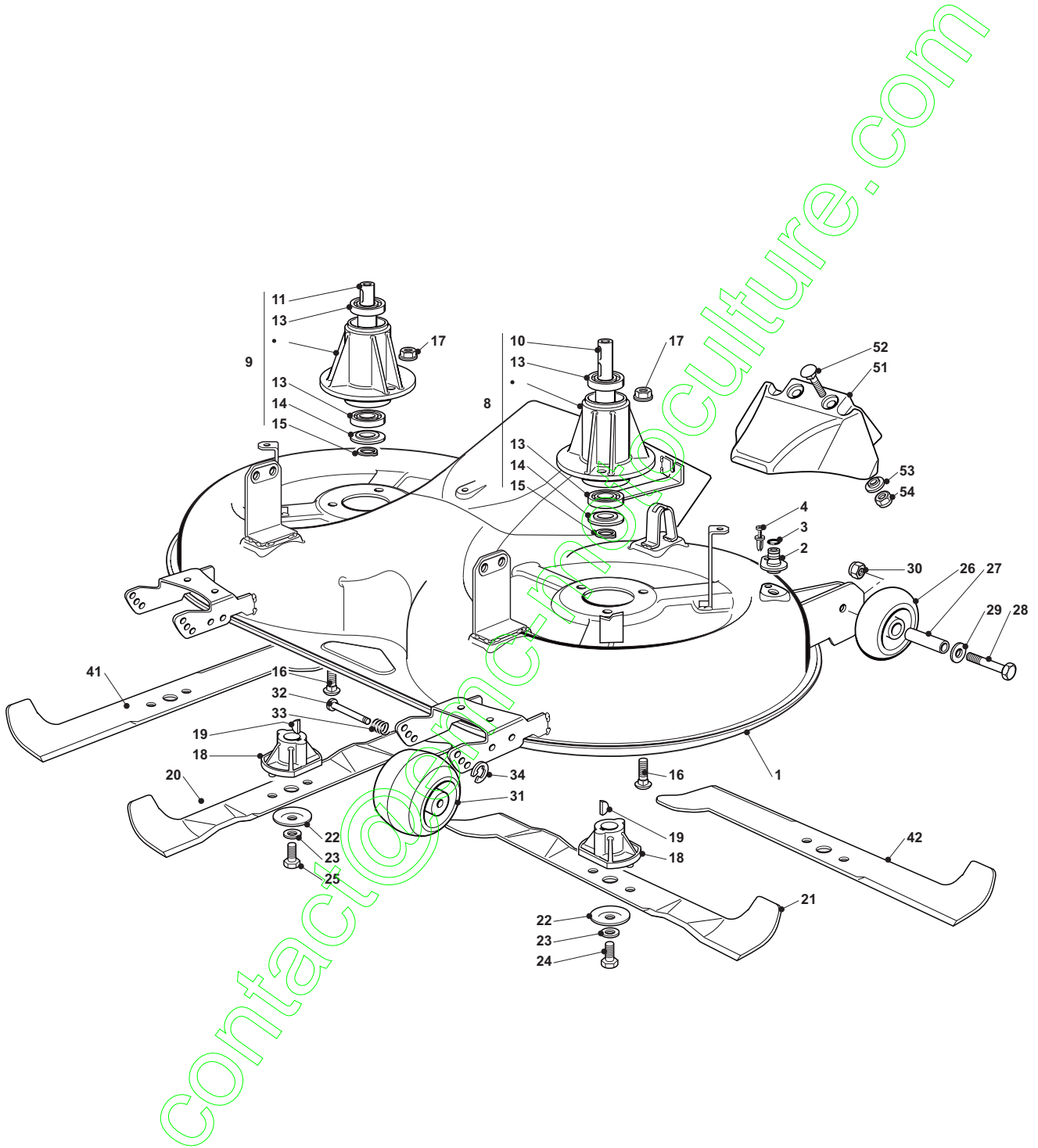
POS	CODE	Q.TY	DESCRIZIONE	DESCRIPTION	DESCRIPTION	BESCHREIBUNG	NOTES
2	82318139/0	1	Leva	Lever	Levier	Hebel	
3	25605000/1	1	Pulsante	Button	Poussoir	Druckknopf	
4	25470901/0	1	Nasello	Dog	Declic	Nase	
5	25510011/0	1	Perno	Pin	Pivot	Bolzen	
6	25033002/0	1	Asta	Rod	Tige	Stab	
7	325394536/0	1	Manopola	Knob	Poignee	Griff	
8	25430208/0	1	Molla	Spring	Ressort	Feder	
9	12604899/0	1	Fissatore A Corona	Crown Fastener	Fixateur A Couronne	Kronescheibe	
10	382000551/0	1	Asse	Axle	Axe	Achse	
11	22034523/0	2	Boccola	Bush	Douille	Büchse	
12	25160025/0	1	Distanziale	Spacer	Entretoise	Entfernungsstück	
13	22672153/0	1	Rosetta	Washer	Rondelle	Scheibe	
16	12620206/0	2	Spina	Pin	Goupille	Stift	
17	25735506/1	1	Settore	Sector	Secteur	Sektor	
18	12792611/0	2	Vite	Screw	Vis	Schraube	
19	12293201/0	2	Dado	Nut	Ecrou	Mutter	
31	82318155/0	1	Leva Anter. Destra	Front Right Lever	Levier Ant. Droite	Rechter Vorderhebel	
32	82318157/0	1	Leva Anter. Sinistra	Front Left Lever	Levier Ant. Gauche	Linker Vorderhebel	
33	25040605/0	4	Bussola	Bush	Douille	Büchse	
34	25318161/0	2	Leva	Lever	Levier	Hebel	
35	12691700/0	2	Vite	Screw	Vis	Schraube	
36	12521350/0	4	Rondella	Washer	Rondelle	Scheibe	
37	12155000/0	2	Dado	Nut	Ecrou	Mutter	
38	25510056/0	2	Perno	Pin	Pivot	Bolzen	
39	12295200/0	4	Dado	Nut	Ecrou	Mutter	
40	12156602/0	2	Dado	Nut	Ecrou	Mutter	
41	25670008/1	4	Rondella	Washer	Rondelle	Scheibe	
42	12156602/0	2	Dado	Nut	Ecrou	Mutter	
43	82000477/2	2	Asta Collegamento	Connecting Rod	Tige De Connexion	Verbindungsstab	
44	12155000/0	2	Dado	Nut	Ecrou	Mutter	
45	125510055/1	2	Perno	Pin	Pivot	Bolzen	
46	12521350/0	2	Rondella	Washer	Rondelle	Scheibe	
47	12155000/0	2	Dado	Nut	Ecrou	Mutter	
48	25318153/1	2	Leva Posteriore	Rear Lever	Levier Arriere	Hinterhebel	
49	12609255/0	2	Seeger	Seeger	Seeger	Seeger	
50	325033071/0	1	Asta Collegamento	Connecting Rod	Tige De Connexion	Verbindungsstab	
51	25670011/0	7	Rondella	Washer	Rondelle	Scheibe	
52	125510117/0	7	Perno	Pin	Pivot	Bolzen	
54	12521350/0	2	Rondella	Washer	Rondelle	Scheibe	
55	12436050/0	7	Piastrina	Plate	Plaque	Platte	
56	25510056/0	2	Perno	Pin	Pivot	Bolzen	
57	25670008/1	4	Rondella	Washer	Rondelle	Scheibe	
58	12156602/0	2	Dado	Nut	Ecrou	Mutter	
59	12794980/0	2	Vite	Screw	Vis	Schraube	
60	12295200/0	2	Dado	Nut	Ecrou	Mutter	
61	25510070/0	2	Perno	Pin	Pivot	Bolzen	
62	12523090/0	2	Rondella	Washer	Rondelle	Scheibe	
63	24487998/0	2	Coppiglia	Cotter Pin	Goupille	Splint	
64	25430218/0	1	Molla	Spring	Ressort	Feder	
66	12293200/0	2	Dado	Nut	Ecrou	Mutter	
71	125510048/1	1	Perno	Pin	Pivot	Bolzen	
72	325318223/0	2	Leva	Gearshift	Levier	Hebel	
73	382000585/0	1	Asse Rinvio	Axle	Axe	Achse	
74	112815271/0	4	Vite	Screw	Vis	Schraube	
75	325785355/0	2	Supporto	Support	Support	Haltersatz	
76	325785354/0	2	Supporto	Support	Support	Halter	
77	325034003/0	4	Bronzina	Brass	Coussinet	Büchse	
78	12523040/0	4	Rosetta	Washer	Rondelle	Scheibe	
79	12154510/0	4	Dado	Nut	Ecrou	Mutter	



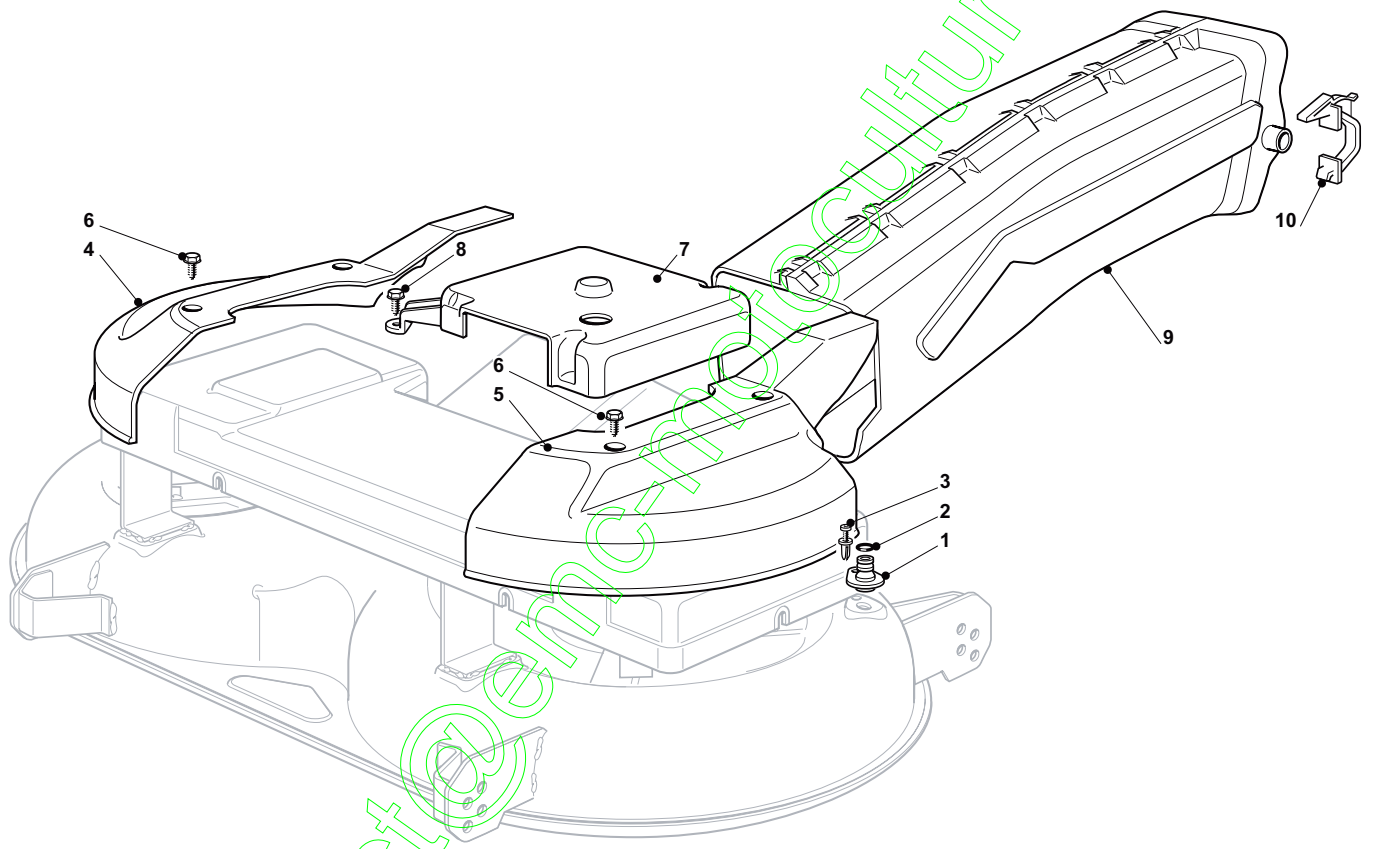
**Blades Engagement**

POS	CODE	Q.TY	DESCRIZIONE	DESCRIPTION	DESCRIPTION	BESCHREIBUNG	NOTES
1	82547029/0	1	Piastra	Plate	Plate	Platte	
2	12792611/0	4	Vite	Screw	Vis	Schraube	
3	12293201/0	4	Dado	Nut	Ecrou	Mutter	
4	82785084/1	1	Supporto	Support	Support	Haltersatz	
5	25601559/1	2	Puleggia	Pulley	Poulie	Riemenscheibe	
6	119216048/0	2	Cuscinetto	Bearing	Roulement	Kuegellager	
7	12610800/0	2	Anello Elastico	Snap Ring	Anneau Ressort	Sprengring	
8	12609200/0	2	Seeger	Seeger	Seeger	Seeger	
9	25650037/0	1	Rinforzo	Stiffening	Reinforcement	Verstaerkung	
10	12793102/0	2	Vite	Screw	Vis	Schraube	
11	12521350/0	2	Rondella	Washer	Rondelle	Scheibe	
12	12583500/0	2	Grower	Grower	Grower	Grower	
13	25160003/0	4	Distanziale	Spacer	Entretoise	Distanzring	
14	25038000/0	4	Boccola	Bushing	Douille	Buchse	
15	12691700/0	1	Vite	Screw	Vis	Schraube	
16	12691200/0	3	Vite	Screw	Vis	Schraube	
17	12521350/0	4	Rondella	Washer	Rondelle	Scheibe	
18	12293201/0	4	Dado	Nut	Ecrou	Mutter	
19	12793900/0	1	Vite	Screw	Vis	Schraube	
20	12293200/0	1	Dado	Nut	Ecrou	Mutter	
21	25601560/0	2	Puleggia	Pulley	Poulie	Riemenscheibe	
22	12139480/0	3	Chiavetta	Key	Clavette	Keil	
23	12793102/0	1	Vite	Screw	Vis	Schraube	
24	25670007/0	1	Rosetta	Washer	Rondelle	Scheibe	
25	12583500/0	1	Grower	Grower	Grower	Grower	
26	35065600/0	1	Cinghia	Belt	Courroie	Keilriemen	
27	12815200/0	3	Vite	Screw	Vis	Schraube	
28	12292102/0	3	Dado	Nut	Ecrou	Mutter	
29	25060100/3	1	Carter	Case	Carter	Blech	
30	12735110/0	6	Vite	Screw	Vis	Schraube	
31	25601550/0	1	Puleggia	Pulley	Poulie	Riemenscheibe	
32	12793102/0	1	Vite	Screw	Vis	Schraube	
33	25670007/0	1	Rosetta	Washer	Rondelle	Scheibe	
34	12583500/0	1	Grower	Grower	Grower	Grower	
35	25160002/0	1	Distanziale	Spacer	Entretoise	Distanring	
36	25318115/1	1	Leva Freno	Brake Lever	Levier Frein	Bremshebel	
40	25601555/0	1	Puleggia	Pulley	Poulie	Riemenscheibe	
41	25160007/0	1	Distanziale	Spacer	Entretoise	Entfernungsstück	
42	12818900/0	1	Vite	Screw	Vis	Schraube	
43	12523060/0	1	Rondella	Washer	Rondelle	Scheibe	
44	12155000/0	1	Dado	Nut	Ecrou	Mutter	
45	12793102/0	1	Vite	Screw	Vis	Schraube	
46	12523070/0	1	Rondella	Washer	Rondelle	Scheibe	
47	12583500/0	1	Grower	Grower	Grower	Grower	
48	35062811/0	1	Cinghia	Belt	Courroie	Keil Riemen	
50	12523060/0	1	Rondella	Washer	Rondelle	Scheibe	
91	82004608/0	1	Filo	Wire	Fil	Kabel	

contact@enc-motoculture.com



Cutting Plate							
POS	CODE	Q.TY	DESCRIZIONE	DESCRIPTION	DESCRIPTION	BESCHREIBUNG	NOTES
1	382564131/0	1	Piatto Di Taglio Nero	Cutting Plate Black	Plateau De Coupe Noire	Schneidwerkzeug Schwarz	
1	382564132/0	1	Piatto Di Taglio Rosso	Cutting Plate Red	Plateau De Coupe Rouge	Schneidwerkzeug Rot	
1	382564133/0	1	Piatto Di Taglio Giallo	Cutting Plate Yellow	Plateau De Coupe Jaune	Schneidwerkzeug Gelb	
2	25033060/0	2	Attacco Tubo Acqua	Water Hose Connection	Raccord Tuyau D'Eau	Wasseranschluss	
3	19035000/0	2	Anello Or	O Ring	O Ring	O Ring	
4	12500030/0	2	Rivetto	Rivet	Rivet	Niet	
8	82207200/1	1	Ass. Flangia Principale	Main Shaft Support	Support Arbre Principal	Masserwellehauptsatz	
9	82207201/2	1	Ass. Flangia Secondaria	Secondary Shaft Support	Support Arbre Secondaire	Masserwelle Zweitersatz	
10	25020800/1	1	Albero Lama Principale	Main Blade Shaft	Arbre Lame Principal	Haupt Messerwelle	
11	25020801/2	1	Albero Lama Secondario	Secondary Blade Shaft	Arbre Lame Secondaire	Zweite Messerwelle	
13	19216032/0	4	Cuscinetto	Bearing	Roulement	Kuegellager	
14	25160501/0	2	Disco Parapolvere	Dust Cover	Protege-Poussiere	Staubschuttscheibe	
15	12609260/0	2	Seeger	Seeger	Seeger	Seeger	
16	12818700/0	6	Vite	Screw	Vis	Schraube	
17	12154210/0	6	Dado	Nut	Ecrou	Mutter	
18	25463200/0	2	Mozzo Coltello	Blade Hub	Moyeu Lame	Messerhalter	
19	12139100/0	2	Linguetta	Feather	Clavette	Keil	
20	82004348/0	1	Coltello Destro Mulching, Alettato	Right Blade Mulching, Winged	Lame Droite Mulching, Aillettee	Rechter Messer Mulching, Flügel	
21	82004347/0	1	Coltello Sinistro Mulching, Alettato	Left Blade Mulching, Winged	Lame Gauche Mulching, Aillettee	Linker Messer Mulching, Flügel	
22	22160400/0	2	Disco Elastico	Elastic Washer	Rondelle Elastique	Federscheibe	
23	12523080/0	2	Rosetta	Washer	Rondelle	Scheibe	
24	12735694/0	1	Vite	Screw	Vis	Schraube	
25	12735695/1	1	Vite	Screw	Vis	Schraube	
26	182700003/0	2	Ruotino Antiscalpo Ø 80	Anti Scalp Wheel Ø 80	Roulettes Antiscalp Ø 80	Skalpierschutzrädchen Ø 80	
27	25510072/0	2	Distanziale	Spacer	Entretoise	Entfernungsstück	
28	12692050/0	2	Vite	Screw	Vis	Schraube	
29	12523060/0	2	Rondella	Washer	Rondelle	Scheibe	
30	12293201/0	2	Dado	Nut	Ecrou	Mutter	
31	182700004/0	2	Ruotino Antiscalpo Ø 100	Anti Scalp Wheel Ø 100	Roulettes Antiscalp Ø 100	Skalpierschutzrädchen Ø 100	
32	125510121/0	2	Perno	Pin	Pivot	Bolzen	
33	22450115/0	2	Molla	Spring	Ressort	Feder	
34	12000930/0	2	Fissatore A Corona	Crown Fastener	Fixateur A Couronne	Kronescheibe	
41	82004341/1	1	Coltello Destro, Alettato	Right Blade, Winged	Lame Droite, Aillettee	Rechter Messer, Flügel	
42	82004340/1	1	Coltello Sinistro, Alettato	Left Blade, Winged	Lame Gauche, Aillettee	Linker Messer, Flügel	
51	325140100/0	1	Deflettore	Deflector	Deflecteur	Abweiser	
52	12815210/0	2	Vite	Screw	Vis	Schraube	
53	25038002/1	2	Boccola	Bush	Douille	Büchse	
54	12154510/0	2	Dado	Nut	Ecrou	Mutter	



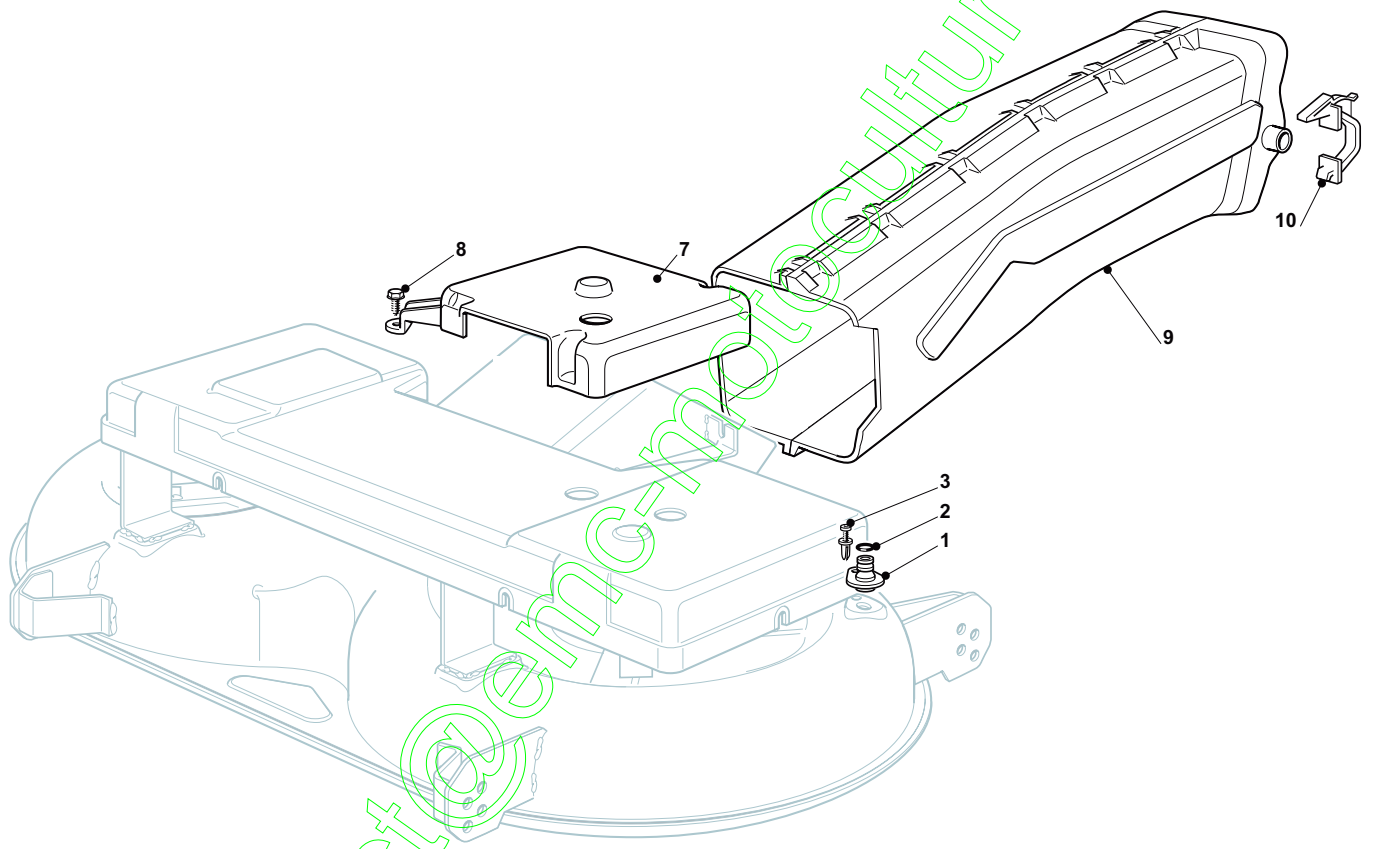


**Guards And Conveyor**

POS	CODE	Q.TY	DESCRIZIONE	DESCRIPTION	DESCRIPTION	BESCHREIBUNG	NOTES
1	25033060/0	2	Attacco Tubo Acqua	Water Hose Connection	Raccord Tuyau D'Eau	Wasseranschluss	
2	19035000/0	2	Anello Or	O Ring	O Ring	O Ring	
3	12500030/0	2	Rivetto	Rivet	Rivet	Niet	
4	25060113/0	1	Carter Grigio	Guard Grey	Carter Gris	Blech Grun	
4	25060104/0	1	Carter Nero	Guard Black	Carter Noire	Blech Schwarz	
5	25060114/0	1	Carter Grigio	Guard Grey	Carter Gris	Blech Grun	
5	25060105/0	1	Carter Nero	Guard Black	Carter Noire	Blech Schwarz	
6	12735403/0	4	Vite	Screw	Vis	Schraube	
7	25600049/0	1	Protezione	Guard	Protection	Schutz	
8	12735403/0	3	Vite	Screw	Vis	Schraube	
9	382108016/1	1	Convogliatore	Conveyor	Convoyeur	Leitblechsatz	
10	25774373/0	2	Staffa	Clamp	Bride	Bride	

contact@emc-motoculture.com

contact@enc-moliculture.com

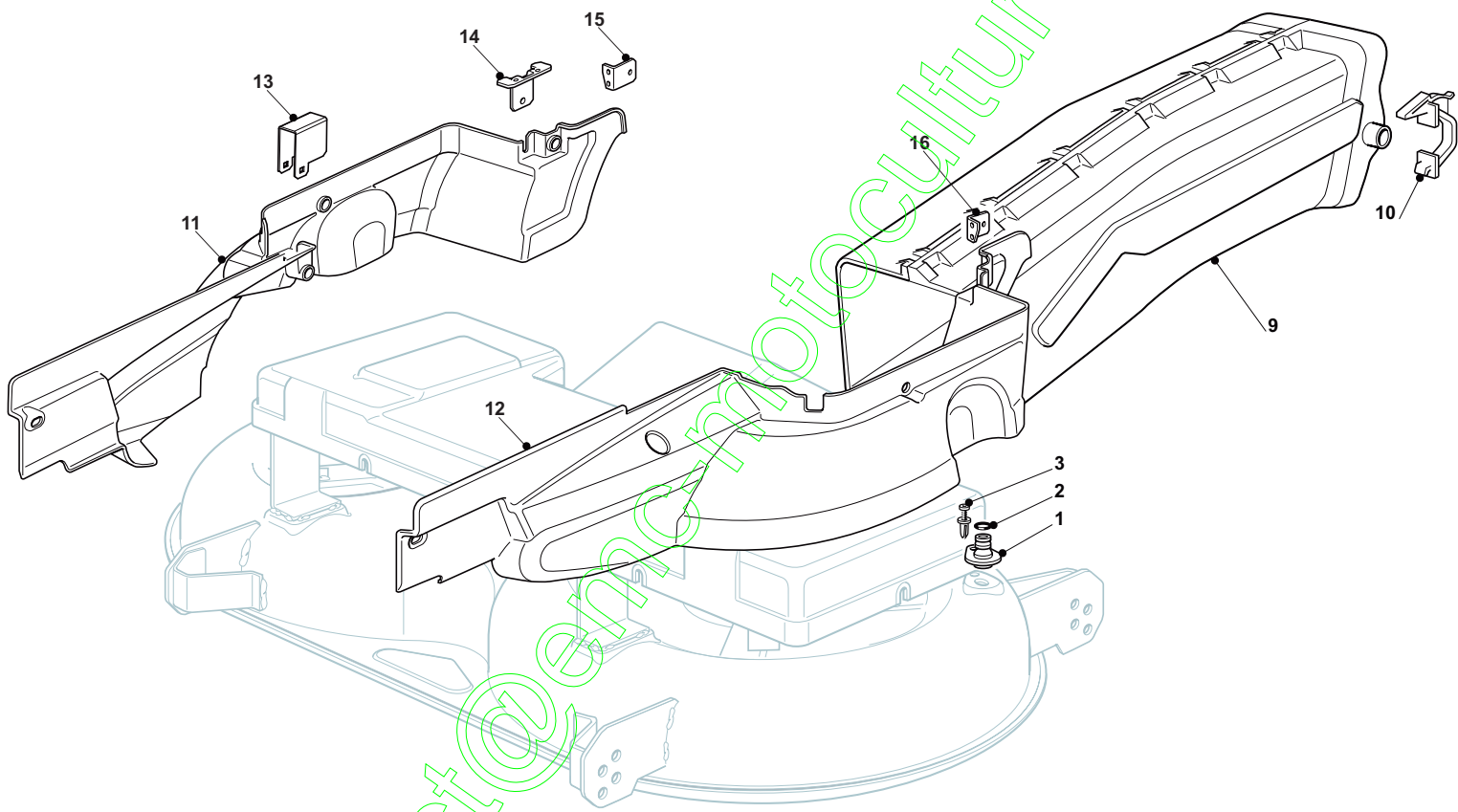


**Guards And Conveyor**

POS	CODE	Q.TY	DESCRIZIONE	DESCRIPTION	DESCRIPTION	BESCHREIBUNG	NOTES
1	25033060/0	2	Attacco Tubo Acqua	Water Hose Connection	Raccord Tuyau D'Eau	Wasseranschluss	
2	19035000/0	2	Anello Or	O Ring	O Ring	O Ring	
3	12500030/0	2	Rivetto	Rivet	Rivet	Niet	
7	25600049/0	1	Protezione	Guard	Protection	Schutz	
8	12735403/0	3	Vite	Screw	Vis	Schraube	
9	382108016/1	1	Convogliatore	Conveyor	Convoyeur	Leitblechsatz	
10	25774373/0	2	Staffa	Clamp	Bride	Bride	

contact@emc-motoculture.com

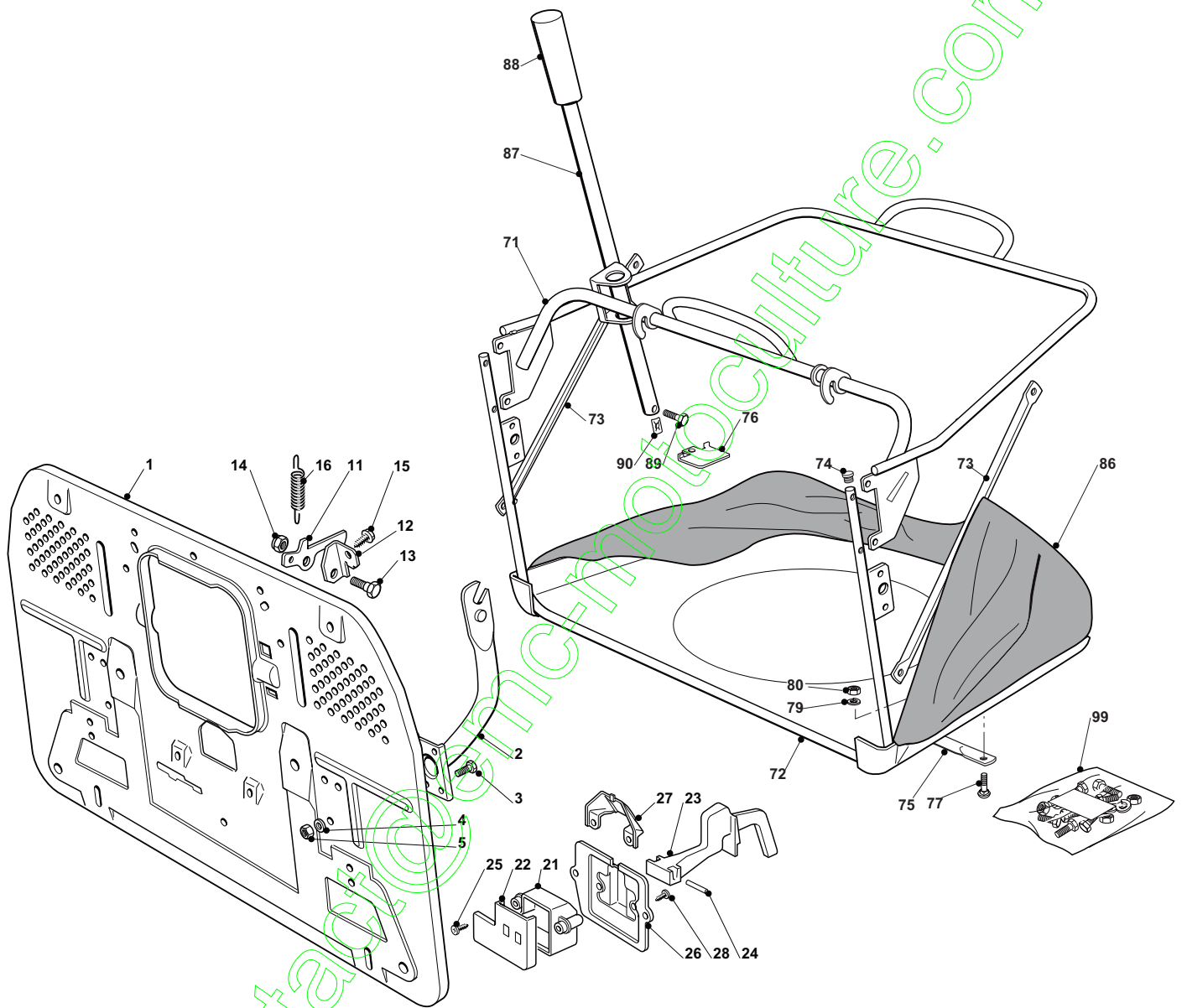
contact@encymotoculture.com



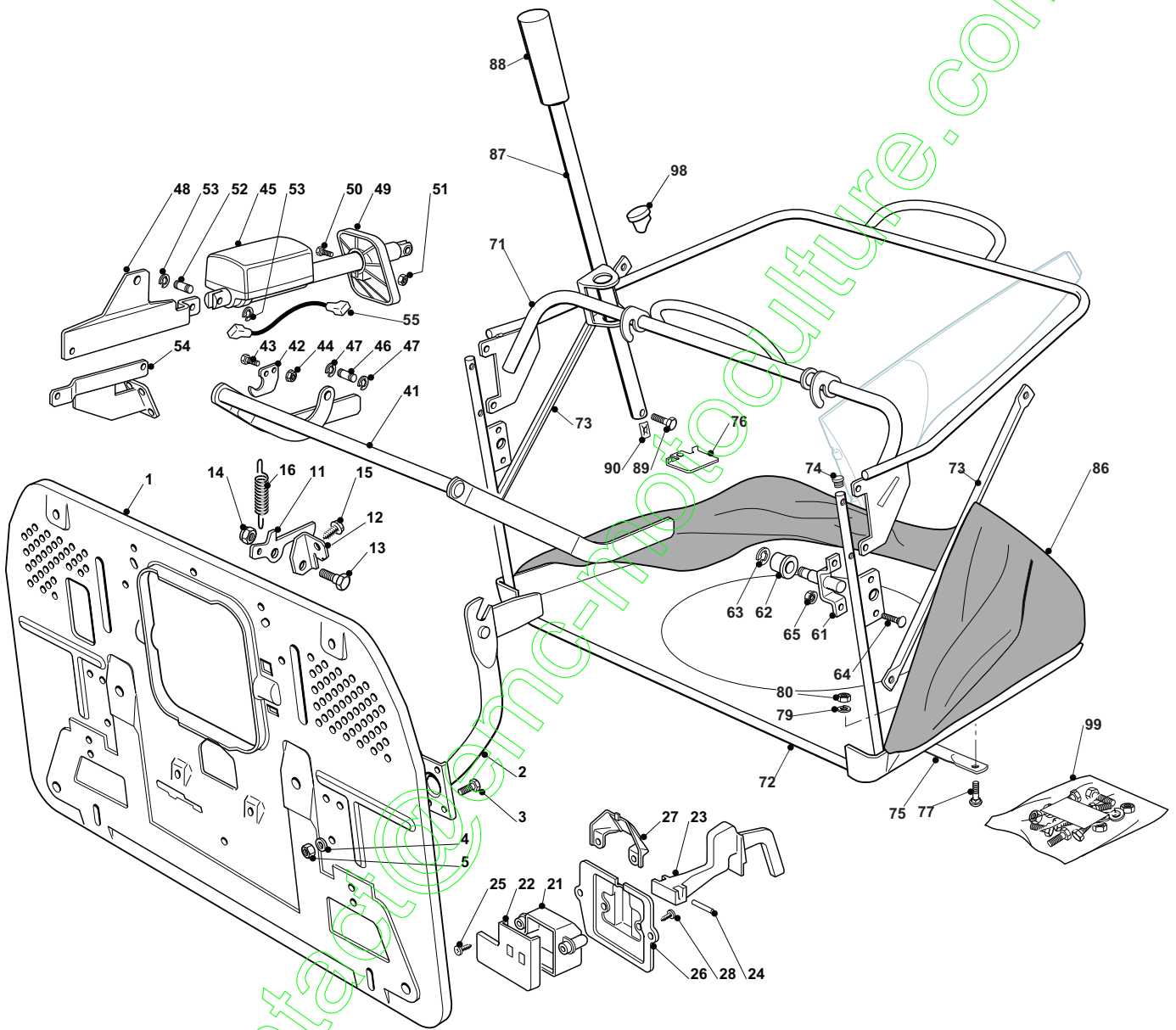
**Guards And Conveyor**

POS	CODE	Q.TY	DESCRIZIONE	DESCRIPTION	DESCRIPTION	BESCHREIBUNG	NOTES
1	25033060/0	2	Attacco Tubo Acqua	Water Hose Connection	Raccord Tuyau D'Eau	Wasseranschluss	
2	19035000/0	2	Anello Or	O Ring	O Ring	O Ring	
3	12500030/0	2	Rivetto	Rivet	Rivet	Niet	
9	382108016/1	1	Convogliatore	Conveyor	Convoyeur	Leitblechsatz	
10	25774373/0	2	Staffa	Clamp	Bride	Bride	
11	325060144/0	1	Protezione	Protection	Protection	Schutz	
12	325060145/0	1	Protezione	Protection	Protection	Schutz	
13	325774267/0	2	Staffa	Clamp	Etrier	Bride	
14	325774423/0	2	Staffa	Clamp	Etrier	Bride	
15	325774425/0	1	Staffa	Clamp	Etrier	Bride	
16	325774421/0	1	Staffa	Clamp	Etrier	Bride	

contact@emc-motoculture.com



Grasscatcher							
POS	CODE	Q.TY	DESCRIZIONE	DESCRIPTION	DESCRIPTION	BESCHREIBUNG	NOTES
1	382547051/0	1	Piastra	Plate	Plaque	Platte	
2	82774225/1	2	Supporto	Support	Support	Halter	
3	12793102/0	6	Vite	Screw	Vis	Schraube	
4	12523060/0	6	Rondella	Washer	Rondelle	Scheibe	
5	12293201/0	6	Dado	Nut	Ecrou	Mutter	
11	325774417/0	1	Staffa	Clamp	Etrier	Bride	
12	25755031/0	1	Squadretta	Bracket	Equerre-Support	Winkel	
13	25510080/0	1	Perno	Pin	Pivot	Bolzen	
14	12292102/0	1	Dado	Nut	Ecrou	Mutter	
15	12735122/0	1	Vite	Screw	Vis	Schraube	
16	27430579/0	1	Molla	Spring	Ressort	Feder	
21	25600041/0	1	Protezione Micro	Micro Protection	Protection Micro	Schutz	
22	25600042/0	1	Coperchio Protezione	Protection Cover	Couvercle Protection	Schutzdeckel	
23	25318124/0	1	Leva	Lever	Levier	Hebel	
24	12400030/0	1	Perno	Pin	Pivot	Bolzen	
25	12728510/0	1	Vite	Screw	Vis	Schraube	
26	25785272/0	1	Protezione Micro	Micro Protection	Protection Micro	Schutz	
27	25600048/0	1	Chiusura Deflettore	Deflector Cover	Couvercle Deflecteur	Abweiserdeckel	
28	12728450/0	2	Vite	Screw	Vis	Schraube	
71	382800123/1	1	Telaio Superiore	Upper Frame	Chassis Superieur	Obererrahmen	
72	382800089/1	1	Telaio Bocca Sacco	Front Frame	Chassis Avant	Vorderrahmen	
73	325650117/0	2	Rinforzo	Stiffening	Renforcement	Verstaerkung	
74	18566111/0	2	Puntale	Cap	Embout	Druckstück	
75	82650043/0	1	Rinforzo Inferiore	Lower Stiffening	Renforcement Super.	Obere Verstaerkung	
76	25547131/0	1	Piastrina	Plate	Plaque	Platte	
77	12815210/0	6	Vite	Screw	Vis	Schraube	
79	12521330/0	2	Rosetta	Washer	Rondelle	Scheibe	
80	12154510/0	2	Dado	Nut	Ecrou	Mutter	
86	182105948/0	1	Sacco	Grasscatcher	Sac	Sack	
87	25869029/1	1	Tubo	Rod	Tige	Stange	
88	25394508/0	1	Manopola	Handle	Poingee	Griff	
89	12788800/0	1	Vite	Screw	Vis	Schraube	
90	112157000/0	1	Dado	Nut	Ecrou	Mutter	
99	382180110/0	1	Dotazione Viteria	Screws Outfit	Ensemble Des Vis	Schraubenausrüstung	

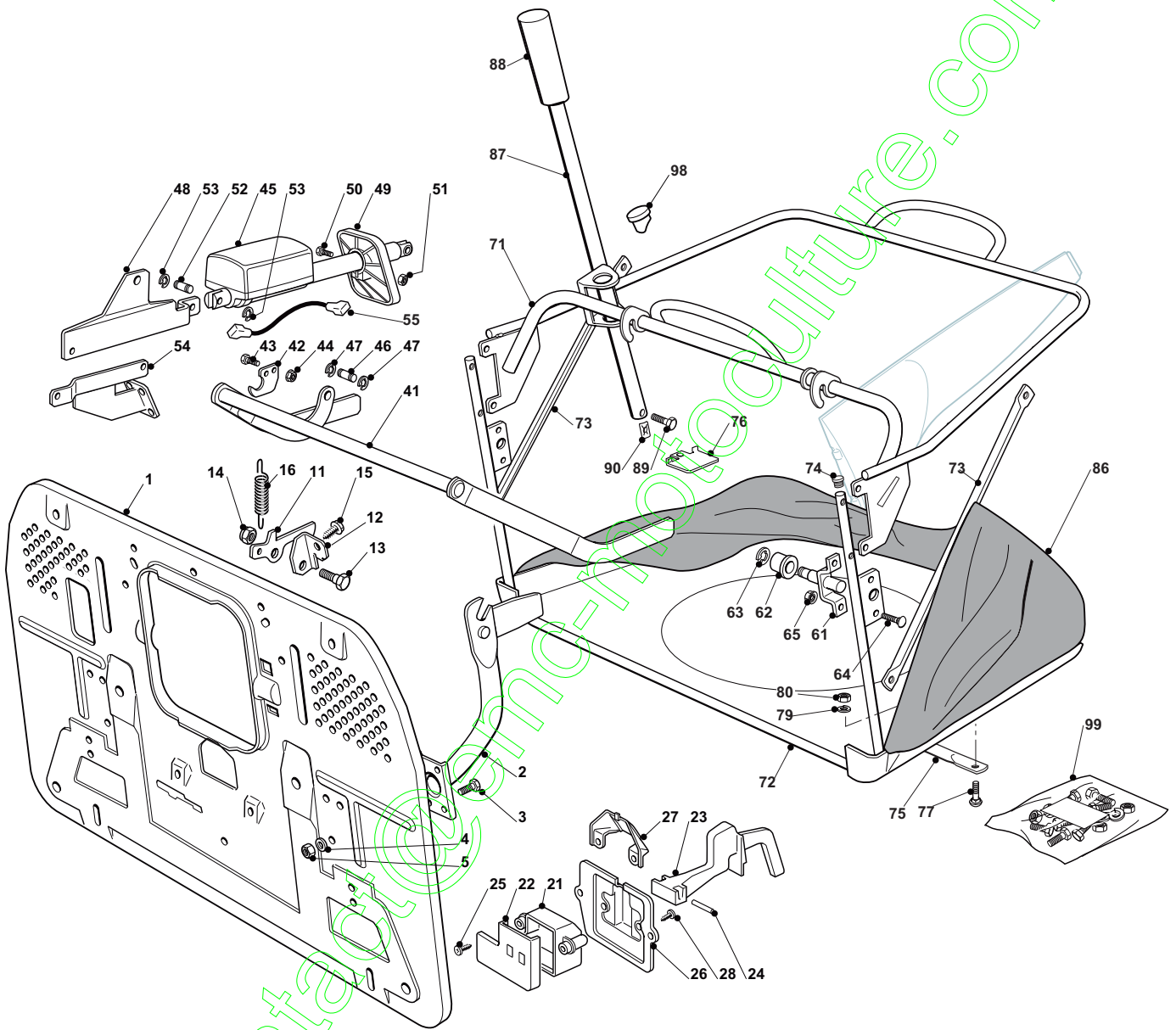




## Grasscatcher

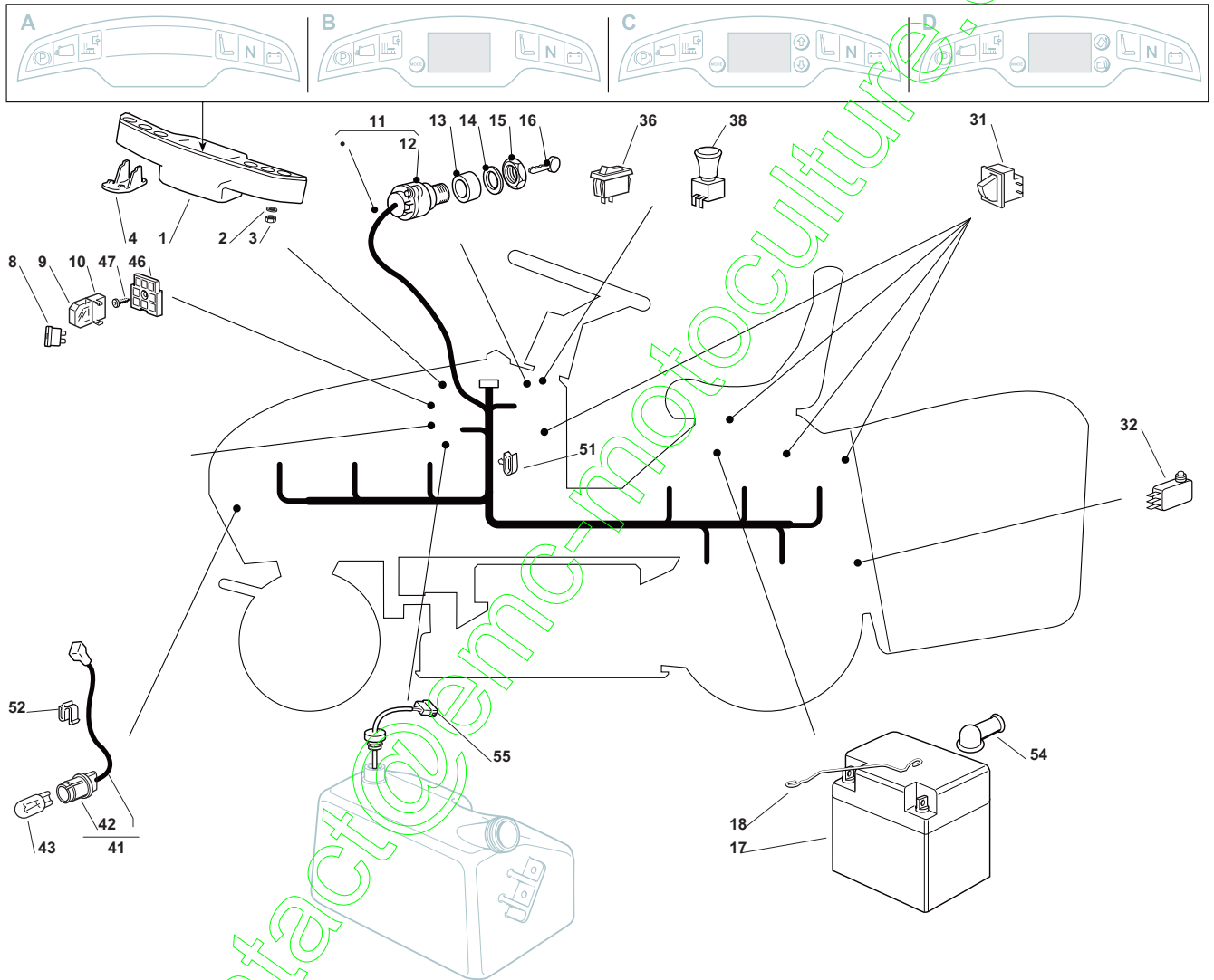
for model with grasscatcher electric lifting

POS	CODE	Q.TY	DESCRIZIONE	DESCRIPTION	DESCRIPTION	BESCHREIBUNG	NOTES
1	382547053/0	1	Piastra	Plate	Plaque	Platte	
2	82774245/0	2	Supporto	Support	Support	Halter	
3	12793102/0	6	Vite	Screw	Vis	Schraube	
4	12523060/0	6	Rondella	Washer	Rondelle	Scheibe	
5	12293201/0	6	Dado	Nut	Ecrou	Mutter	
11	325774417/0	1	Staffa	Clamp	Etrier	Bride	
12	25755031/0	1	Squadretta	Bracket	Equerre-Support	Winkel	
13	25510080/0	1	Perno	Pin	Pivot	Bolzen	
14	12292102/0	1	Dado	Nut	Ecrou	Mutter	
15	12735122/0	1	Vite	Screw	Vis	Schraube	
16	27430579/0	1	Molla	Spring	Ressort	Feder	
21	25600041/0	1	Protezione Micro	Micro Protection	Protection Micro	Schutz	
22	25600042/0	1	Coperchio Protezione	Protection Cover	Couvercle Protection	Schutzdeckel	
23	25318124/0	1	Leva	Lever	Levier	Hebel	
24	12400030/0	1	Perno	Pin	Pivot	Bolzen	
25	12728510/0	1	Vite	Screw	Vis	Schraube	
26	25785272/0	1	Protezione Micro	Micro Protection	Protection Micro	Schutz	
27	25600048/0	1	Chiusura Deflettore	Deflector Cover	Couvercle Deflecteur	Abweiserdeckel	
28	12728450/0	2	Vite	Screw	Vis	Schraube	
31	18566110/0	4	Puntale	Cap	Bouchon	Pfropfen	
32	12735410/0	4	Vite	Screw	Vis	Schraube	
33	12689500/0	2	Vite	Screw	Vis	Schraube	
34	12521330/0	4	Rosetta	Washer	Rondelle	Scheibe	
35	12154510/0	4	Dado	Nut	Ecrou	Mutter	
36	12815220/0	2	Vite	Screw	Vis	Schraube	
37	12521330/0	2	Rosetta	Washer	Rondelle	Scheibe	
38	12154510/0	2	Dado	Nut	Ecrou	Mutter	
41	82000507/0	1	Asse Sollevamento	Axle	Axe	Achse	
42	25774317/0	2	Piastrina	Plate	Plaque	Platte	
43	12815210/0	4	Vite	Screw	Vis	Schraube	
44	12154510/0	4	Dado	Nut	Ecrou	Mutter	
45	18001000/0	1	Attuatore	Actuator	Actuateur	Aktuator	
46	25510083/0	1	Perno	Pin	Pivot	Bolzen	
47	12000955/0	2	Anello Elastico	Snap Ring	Anneau Ressort	Sprengring	
48	25785197/0	1	Supporto Attuatore	Support	Support	Halter	
49	25600060/0	1	Protezione Attuatore	Protection	Protection	Schutz	
50	12727795/0	1	Vite	Screw	Vis	Schraube	
51	12154330/0	1	Dado	Nut	Ecrou	Mutter	
52	25510083/0	1	Perno	Pin	Pivot	Bolzen	
53	12000955/0	2	Anello Elastico	Snap Ring	Anneau Ressort	Sprengring	
54	82650209/0	1	Rinforzo	Stiffening	Reinforcement	Verstaerkung	
55	125065030/0	1	Cavo Collegamento	Connecting Cable	Cable De Connexion	Verbindungskabel	
61	82785147/0	2	Supporto Fulcro	Support	Support	Halter	
62	25690001/0	2	Rullino	Roll	Rouleau	Walze	
63	12000956/0	2	Anello Elastico	Snap Ring	Anneau Ressort	Sprengring	
64	12818690/0	4	Vite	Screw	Vis	Schraube	
65	12293201/0	4	Dado	Nut	Ecrou	Mutter	
71	382800123/1	1	Telaio Superiore	Upper Frame	Chassis Superieur	Obererrahmen	
72	382800089/1	1	Telaio Bocca Sacco	Front Frame	Chassis Avant	Vorderrahmen	
73	325650117/0	2	Rinforzo	Stiffening	Renforcement	Verstaerkung	
74	18566111/0	2	Puntale	Cap	Embout	Druckstück	
75	82650043/0	1	Rinforzo Inferiore	Lower Stiffening	Renforcement Super.	Obere Verstaerkung	
76	25547131/0	1	Piastrina	Plate	Plaque	Platte	
77	12815210/0	6	Vite	Screw	Vis	Schraube	
79	12521330/0	2	Rosetta	Washer	Rondelle	Scheibe	
80	12154510/0	2	Dado	Nut	Ecrou	Mutter	
86	182105948/0	1	Sacco	Grasscatcher	Sac	Sack	
87	25869029/1	1	Tubo	Rod	Tige	Stange	
88	25394508/0	1	Manopola	Handle	Poingee	Griff	
89	12788800/0	1	Vite	Screw	Vis	Schraube	

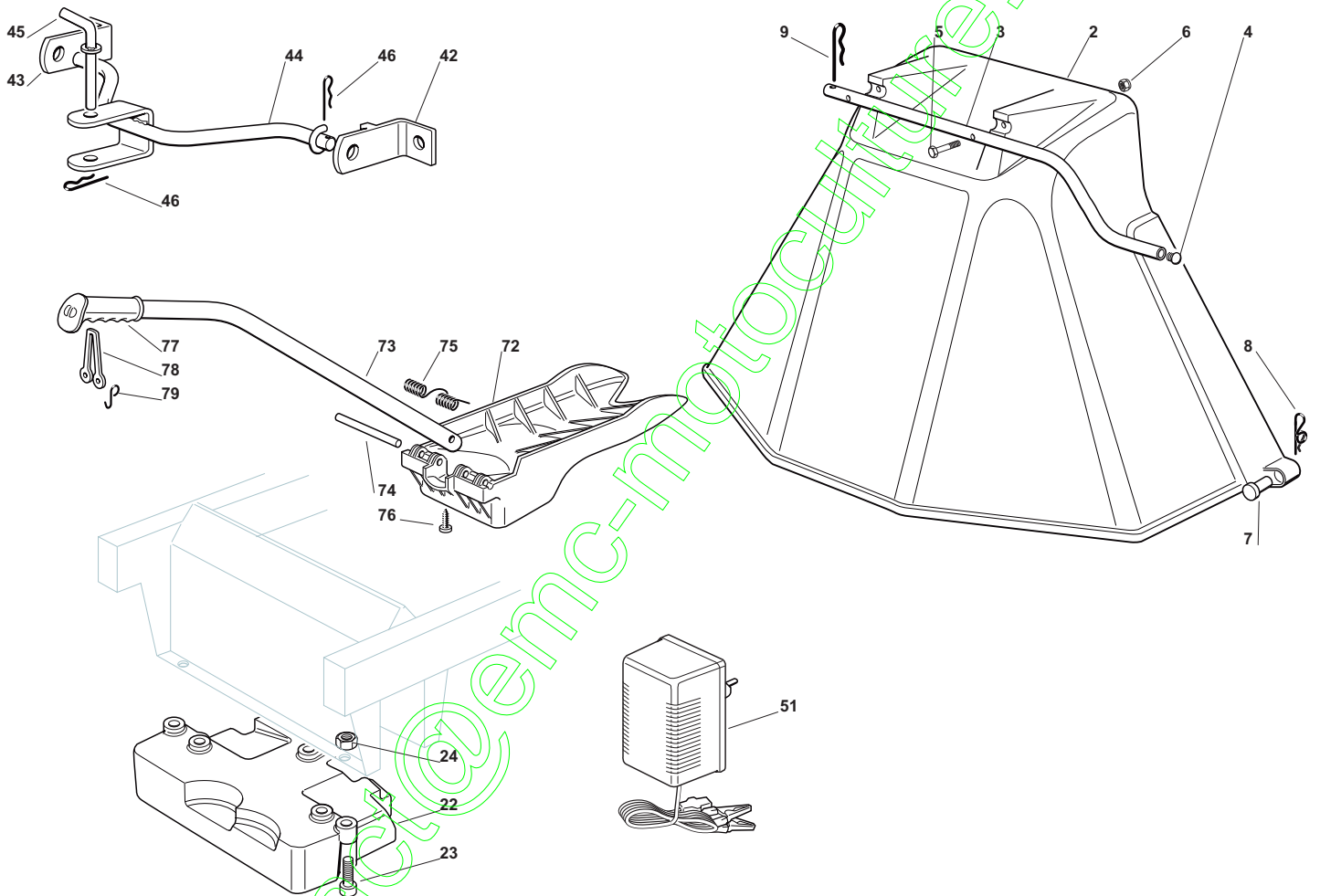


Grasscatcher				for model with grasscatcher electric lifting			
POS	CODE	Q.TY	DESCRIZIONE	DESCRIPTION	DESCRIPTION	BESCHREIBUNG	NOTES
90	112157000/0	1	Dado	Nut	Ecrou	Mutter	
98	25120232/0	1	Tappo	Cap	Bouchon	Verschluss	
99	382180111/0	1	Dotazione Viteria	Screws Outfit	Ensemble Des Vis	Schraubenausrüstung	

contact@enc-motoculture.com



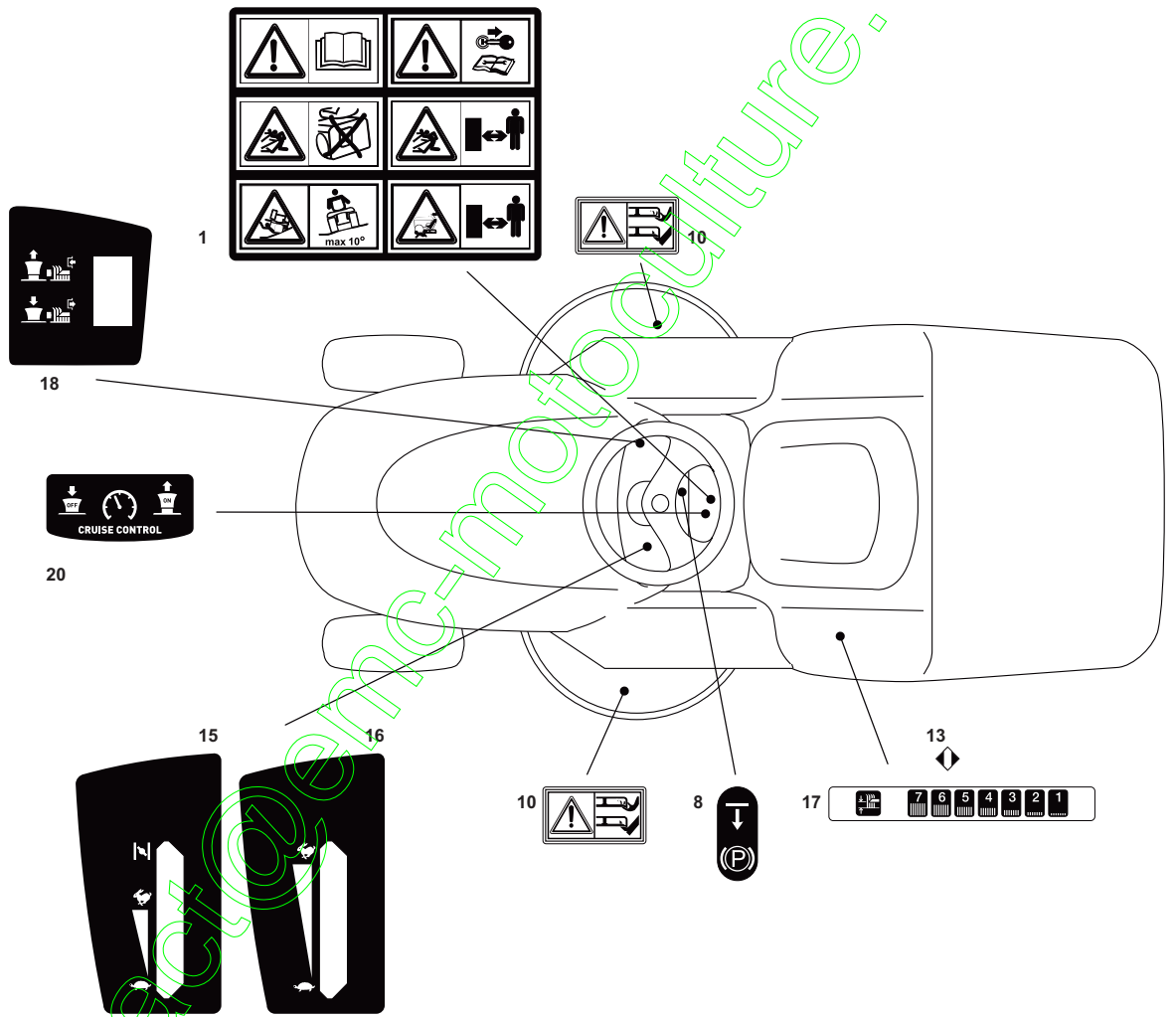
Electrical Parts							
POS	CODE	Q.TY	DESCRIZIONE	DESCRIPTION	DESCRIPTION	BESCHREIBUNG	NOTES
1	382722420/2	1	Schede + Protezioni (A)	Cards + Guards (A)	Cartes + Protections (A)	Karte + Schutz (A)	
1	382722421/2	1	Schede + Protezioni (B)	Cards + Guards (B)	Cartes + Protections (B)	Karte + Schutz (B)	
1	382722423/2	1	Schede + Protezioni (C)	Cards + Guards (C)	Cartes + Protections (C)	Karte + Schutz (C)	
1	382722422/3	1	Schede + Protezioni (D)	Cards + Guards (D)	Cartes + Protections (D)	Karte + Schutz (D)	
2	12521320/0	2	Rosetta	Washer	Rondelle	Scheibe	
3	12154330/0	2	Dado	Nut	Ecrou	Mutter	
4	25031501/0	1	Deflettore Buzzer	Deflector	Deflecteur	Abweiser	
				Models with manual tipping:			
8	33340040/0	1	Fusibile 10A	Fuse 10A	Fusible 10A	Sicherung 10A	
8	33340036/0	1	Fusibile 25 A	Fuse 25 A	Fusible 25 A	Sicherung 25 A	
9	33215000/0	2	Coperchio	Cover	Couvercle	Deckel	
10	33500007/0	2	Portafusibile	Fuse Carrier	Tableau De Fusible	Sicherunghalter	
				Models with electric tipping:			
8	33340040/0	1	Fusibile 10A	Fuse 10A	Fusible 10A	Sicherung 10A	
8	33340036/0	1	Fusibile 25 A	Fuse 25 A	Fusible 25 A	Sicherung 25 A	
8	33340035/0	1	Fusibile 15 A	Fuse 15 A	Fusible 15 A	Sicherung 15 A	
9	33215000/0	3	Coperchio	Cover	Couvercle	Deckel	
10	33500007/0	3	Portafusibile	Fuse Carrier	Tableau De Fusible	Sicherunghalter	
11	182040147/0	1	Cablaggio	Cables Ass.Y	Ens. Cablages	Kabelsatz	use on models with engine BS1;BS2;K9;K10;BS3;BS4;GGP;
11	182040148/0	1	Cablaggio (Honda)	Cables Ass.Y (Honda)	Ens. Cablages (Honda)	Kabelsatz (Honda)	use on models with engine H7;H8;
12	18450072/0	1	Interruttore Avviam.	Starting Switch	Interrupteur Demarr.	Schalter	
13	18550136/0	1	Distanziale	Spacer	Entretoise	Distanring	
14	18550135/0	1	Rondella	Washer	Rondelle	Scheibe	
15	18400862/0	1	Ghiera	Ringnut	Embout	Nutmutter	
16	18210022/0	1	Chiave Avviamento	Starting Key	Clef A Demarrage	Schlüssel Für Start	
17	18120002/1	1	Batteria	Battery	Batterie	Batterie	
18	25430230/0	1	Molla	Spring	Ressort	Feder	
31	119410615/0	3	Micro Interruttore	Microswitch	Microinterrupteur	Mikroschalter	
32	19410605/1	1	Micro Sacco Pieno	Full Grasscote. Micro	Micro Bac Plein	Vollkorb Vorrichtung	
36	18450060/1	1	Interruttore Fari	Fari Lamp Switch	Interrupteur Phares	Lichten Schalter	
38	18450068/0	1	Interruttore Frizione	Clutch Switch	Interrupteur Embrajage	Kupplung Schalter	
41	82040073/0	1	Cavo Fari	Cable	Cables	Kabel	
42	33500030/0	2	Portalampane	Lamp Holder	Douille De Lampe	Scheinwerferlampe	
43	18459100/0	2	Lampada	Fari Lamp For Lights	Lampe Pour Phares	Lampenfassung	
46	133500010/1	1	Piastrina	Plate	Plaque	Platte	
47	12735170/0	1	Vite	Screw	Vis	Schraube	
51	33320506/0	5	Fermacavo	Fairlead	Fixation Cable	Kabelbefestigung	
52	33320504/0	1	Fermacavo	Fairlead	Fixation Cable	Kabelbefestigung	
54	18564864/1	1	Cappuccio	Protection	Capuchon	Stecker	
55	25290001/0	1	Indicatore Livello	Fuel Level Indicator	Indicateur Niveau	Kraftstoffmesser	



Optionals On Request							
POS	CODE	Q.TY	DESCRIZIONE	DESCRIPTION	DESCRIPTION	BESCHREIBUNG	NOTES
2	82400003/1	1	Protezione Uscita	Ejection Guard	Protection Sortie	Auswurfschutz	
3	25869043/0	1	Tube Di Aggancio	Support	Sopport	Halter	
4	18566112/0	2	Puntale	Cap	Embout	Druckstück	
5	12689515/0	2	Vite	Screw	Vis	Schraube	
6	12154510/0	2	Dado	Nut	Ecrou	Mutter	
7	25510022/0	2	Perno	Pin	Pivot	Bolzen	
8	24487998/0	2	Coppiglia	Cotter Pin	Goupille	Splint	
9	24487999/0	1	Coppiglia	Cotter Pin	Goupille	Split	
22	25519997/1	1	Peso	Weight	Poids	Gewicht	
23	12760520/0	3	Vite	Screw	Vis	Schraube	
24	12155000/0	3	Dado	Nut	Ecrou	Mutter	
42	82735502/0	1	Staffa Supporto Traino Dx	Bracket Right Hitch Support	Etrier Support Trainage Droite	Buegel Halter Für Rechten Zug	
43	25774213/0	1	Staffa Supporto Traino Sx	Bracket Left Hitch Support	Etrier Support Trainage Gauche	Buegelhalter Für Linken Zug	
44	382033105/1	1	Barra	Rod	Barre	Stange	
45	25510021/1	1	Perno	Pin	Pivot	Bolzen	
46	24487999/0	2	Coppiglia	Cotter Pin	Goupille	Split	
51	182180090/0	1	Carica Batterie	Battery Charger	Chargeur De Batteries	Batterieladegerät	EU plug
51	182180091/0	1	Carica Batterie (U.K.)	Battery Charger (U.K.)	Chargeur De Batteries (U.K.)	Batterieladegerät (U.K.)	UK plug
72	325140097/0	1	Deflettore	Deflector	Deflecteur	Abweiser	
73	25394005/0	1	Manico	Handle	Guidon	Stiel	
74	25510077/0	1	Perno	Pin	Pivot	Bolzen	
75	25430245/0	1	Molla	Spring	Ressort	Feder	
76	12735405/0	1	Vite	Screw	Vis	Schraube	
77	25280000/1	1	Impugnatura	Handgrip	Branche	Griff	
78	25840011/1	1	Tirante In Gomma	Elastic Tie-Rod	Tirant Elastique	Elastische Zugstäbe	
79	25253004/0	2	Gancio	Hook	Crochet	Haken	

contact@emc-motoculture.com

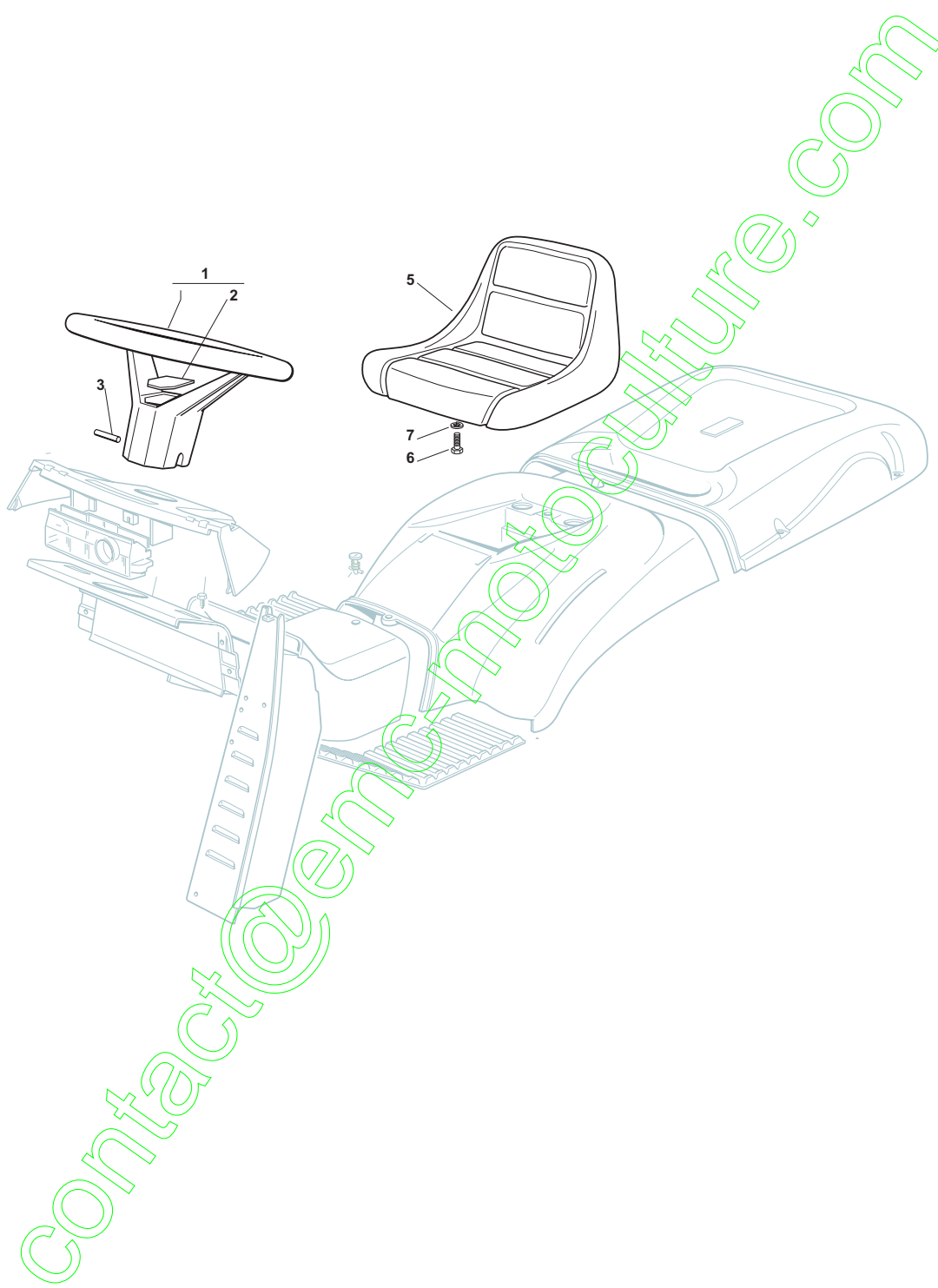
contact@demc-motoculture.com





Labels							
POS	CODE	Q.TY	DESCRIZIONE	DESCRIPTION	DESCRIPTION	BESCHREIBUNG	NOTES
1	114357428/1	1	Etichetta	Label	Etiquette	Klebzettel	
8	114357526/1	1	Etichetta	Label	Etiquette	Klebzettel	
10	114356699/1	2	Etichetta	Label	Etiquette	Klebzettel	
13	14357913/0	1	Etichetta	Label	Etiquette	Klebzettel	
15	14360717/0	1	Etichetta	Label	Etiquette	Klebzettel	
16	14360716/0	1	Etichetta	Label	Etiquette	Klebzettel	
17	14360719/0	1	Etichetta	Label	Etiquette	Klebzettel	
18	14360715/2	1	Etichetta	Label	Etiquette	Klebzettel	
20	114365612/0	1	Etichetta	Label	Etiquette	Klebzettel	only for models with Cruise Control

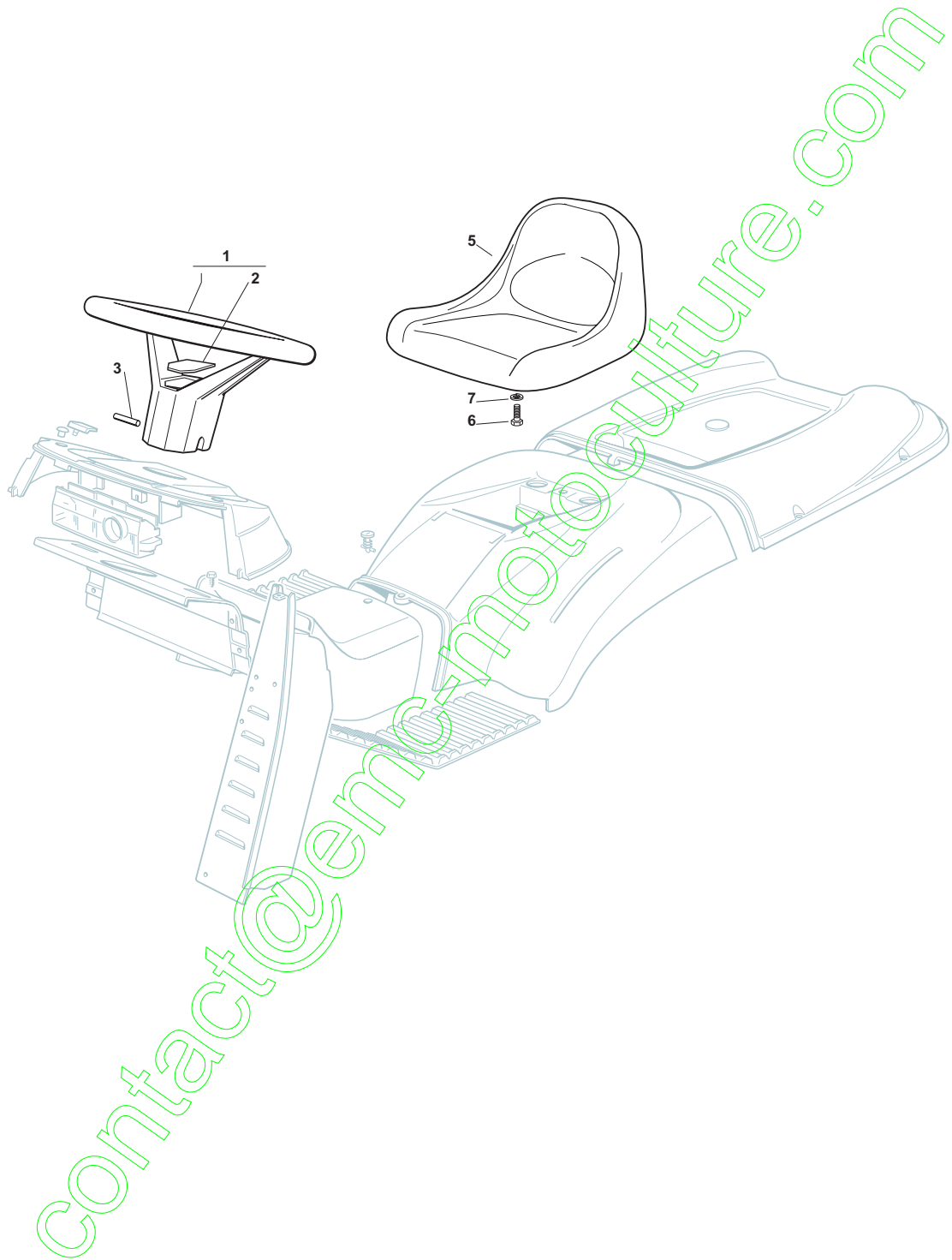
contact@emc-motoculture.com



**Seat & Steering Wheel**

POS	CODE	Q.TY	DESCRIZIONE	DESCRIPTION	DESCRIPTION	BESCHREIBUNG	NOTES
1	25961213/0	1	Volante	Steering Wheel	Volant	Lenkrad	
2	25120231/0	1	Tappo	Cap	Bouchon	Stopfen	
3	12620299/0	1	Spina	Pin	Goupille	Stift	
5	25722450/1	1	Sedile	Seat	Siege	Sitz	
6	12793102/0	4	Vite	Screw	Vis	Schraube	
7	12583500/0	4	Grower	Grower	Grower	Grower	

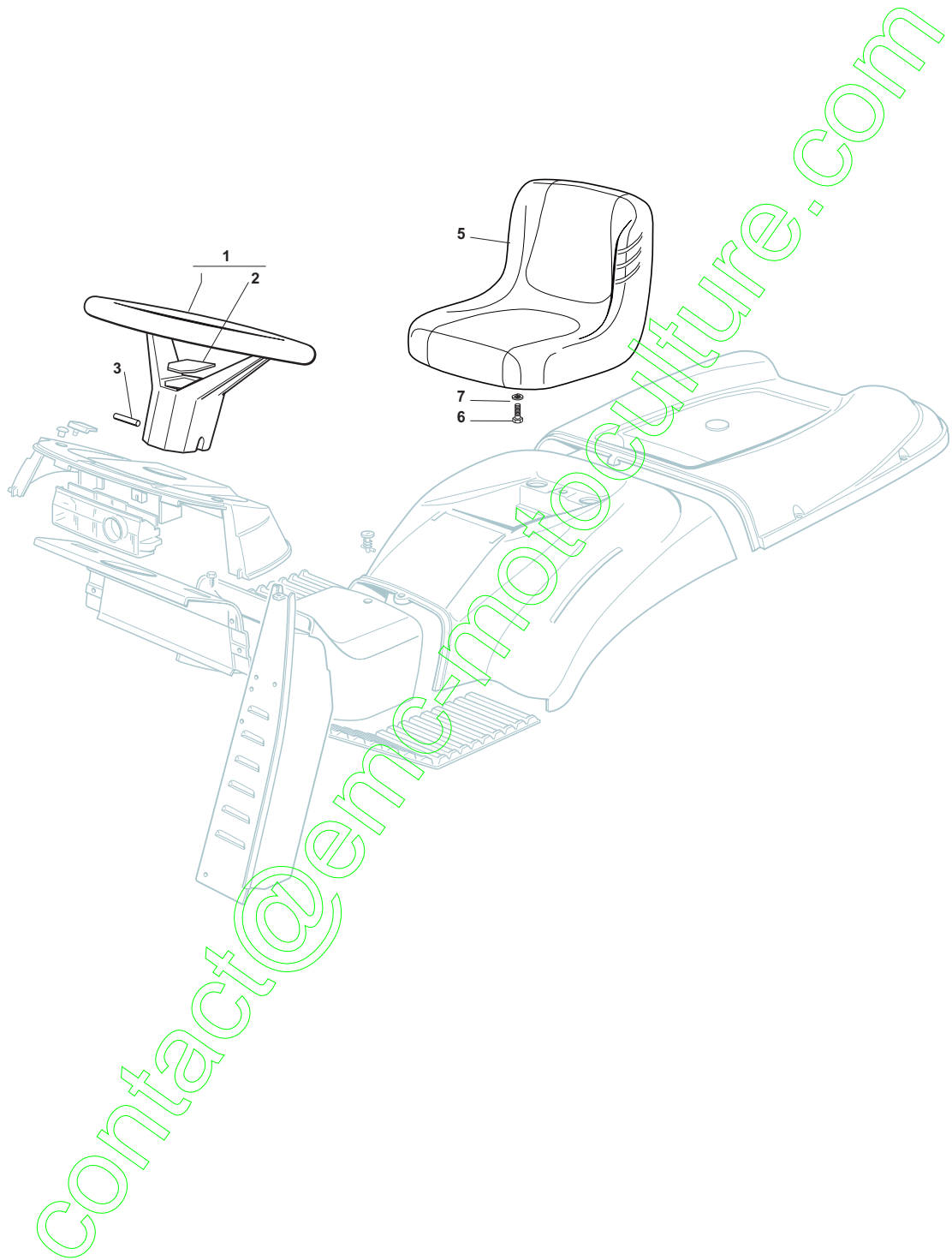
contact@enc-motoculture.com



**Seat & Steering Wheel**

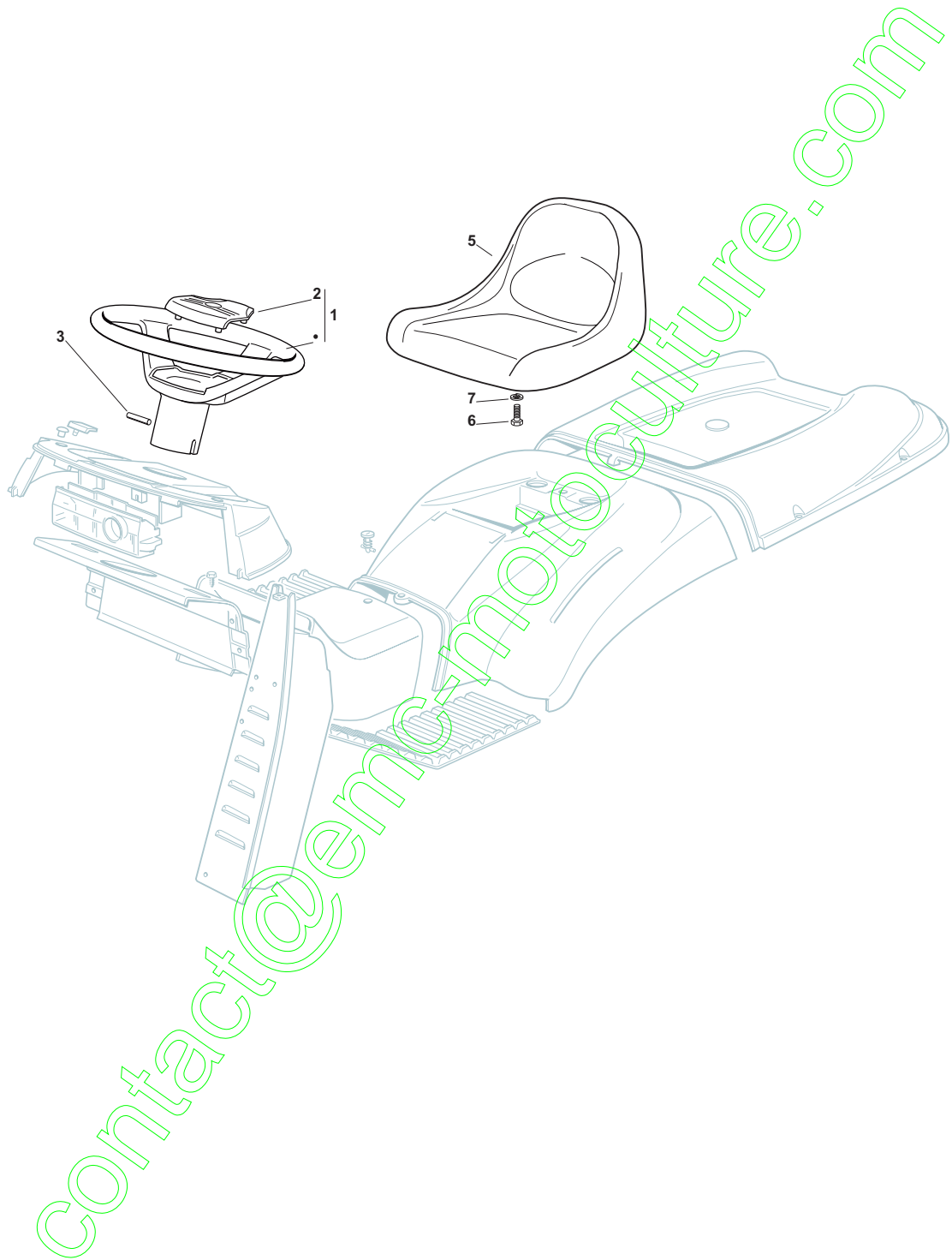
POS	CODE	Q.TY	DESCRIZIONE	DESCRIPTION	DESCRIPTION	BESCHREIBUNG	NOTES
1	25961213/0	1	Volante	Steering Wheel	Volant	Lenkrad	
2	25120231/0	1	Tappo	Cap	Bouchon	Stopfen	
3	12620299/0	1	Spina	Pin	Goupille	Stift	
5	25722451/2	1	Sedile	Seat	Siege	Sitz	
6	12793102/0	4	Vite	Screw	Vis	Schraube	
7	12583500/0	4	Grower	Grower	Grower	Grower	

contact@emc-motoculture.com



Seat & Steering Wheel							
POS	CODE	Q.TY	DESCRIZIONE	DESCRIPTION	DESCRIPTION	BESCHREIBUNG	NOTES
1	25961213/0	1	Volante	Steering Wheel	Volant	Lenkrad	
2	25120231/0	1	Tappo	Cap	Bouchon	Stopfen	
3	12620299/0	1	Spina	Pin	Goupille	Stift	
5	25722459/0	1	Sedile	Seat	Siege	Sitz	
6	12793102/0	4	Vite	Screw	Vis	Schraube	
7	12583500/0	4	Grower	Grower	Grower	Grower	

contact@emc-motoculture.com

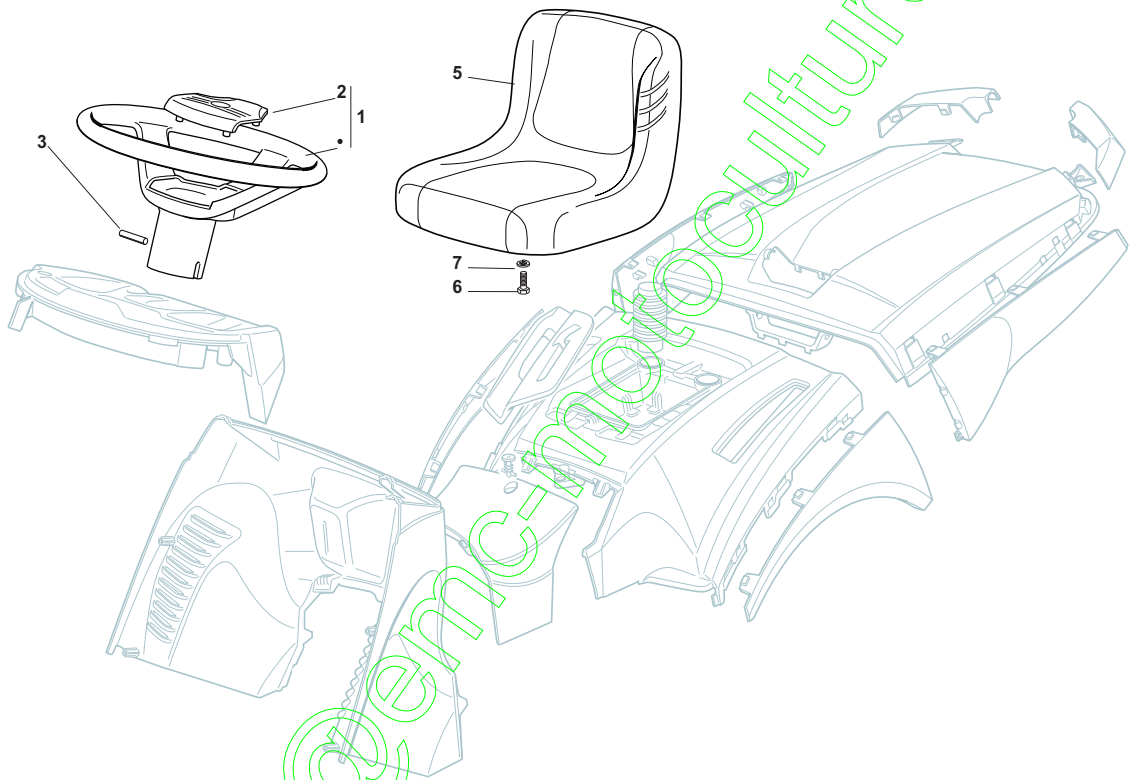




**Seat & Steering Wheel**

POS	CODE	Q.TY	DESCRIZIONE	DESCRIPTION	DESCRIPTION	BESCHREIBUNG	NOTES
1	25961214/0	1	Volante,Grigio	Steering Wheel,Grey	Volant,Gris	Lenkrad,Grau	
1	25961217/0	1	Volante,Nero	Steering Wheel,Black	Volant,Noire	Lenkrad,Schwarz	
2	325580500/0	1	Tappo,Grigio	Cap,Grey	Bouchon,Gris	Stopfen,Grau	
2	325580505/0	1	Tappo,Nero	Cap,Black	Bouchon,Noire	Stopfen,Schwarz	
3	12620299/0	1	Spina	Pin	Goupille	Stift	
5	25722451/2	1	Sedile	Seat	Siege	Sitz	
6	12793102/0	4	Vite	Screw	Vis	Schraube	
7	12583500/0	4	Grower	Grower	Grower	Grower	

contact@emc-motoculture.com

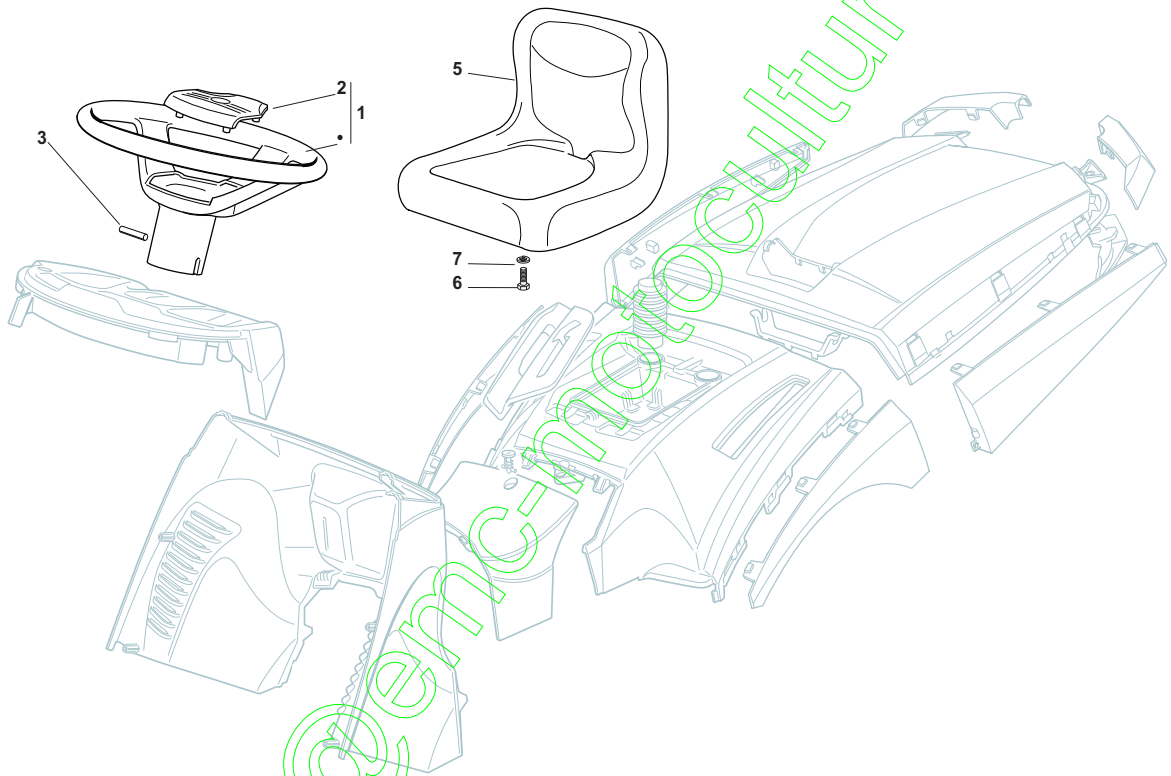


contact@enc-motoculture.com

**Seat & Steering Wheel**

POS	CODE	Q.TY	DESCRIZIONE	DESCRIPTION	DESCRIPTION	BESCHREIBUNG	NOTES
1	25961214/0	1	Volante,Grigio	Steering Wheel,Grey	Volant,Gris	Lenkrad,Grau	
1	25961217/0	1	Volante,Nero	Steering Wheel,Black	Volant,Noire	Lenkrad,Schwarz	
2	325580500/0	1	Tappo,Grigio	Cap,Grey	Bouchon,Gris	Stopfen,Grau	
2	325580505/0	1	Tappo,Nero	Cap,Black	Bouchon,Noire	Stopfen,Schwarz	
3	12620299/0	1	Spina	Pin	Goupille	Stift	
5	25722459/0	1	Sedile	Seat	Siege	Sitz	
6	12793102/0	4	Vite	Screw	Vis	Schraube	
7	12583500/0	4	Grower	Grower	Grower	Grower	

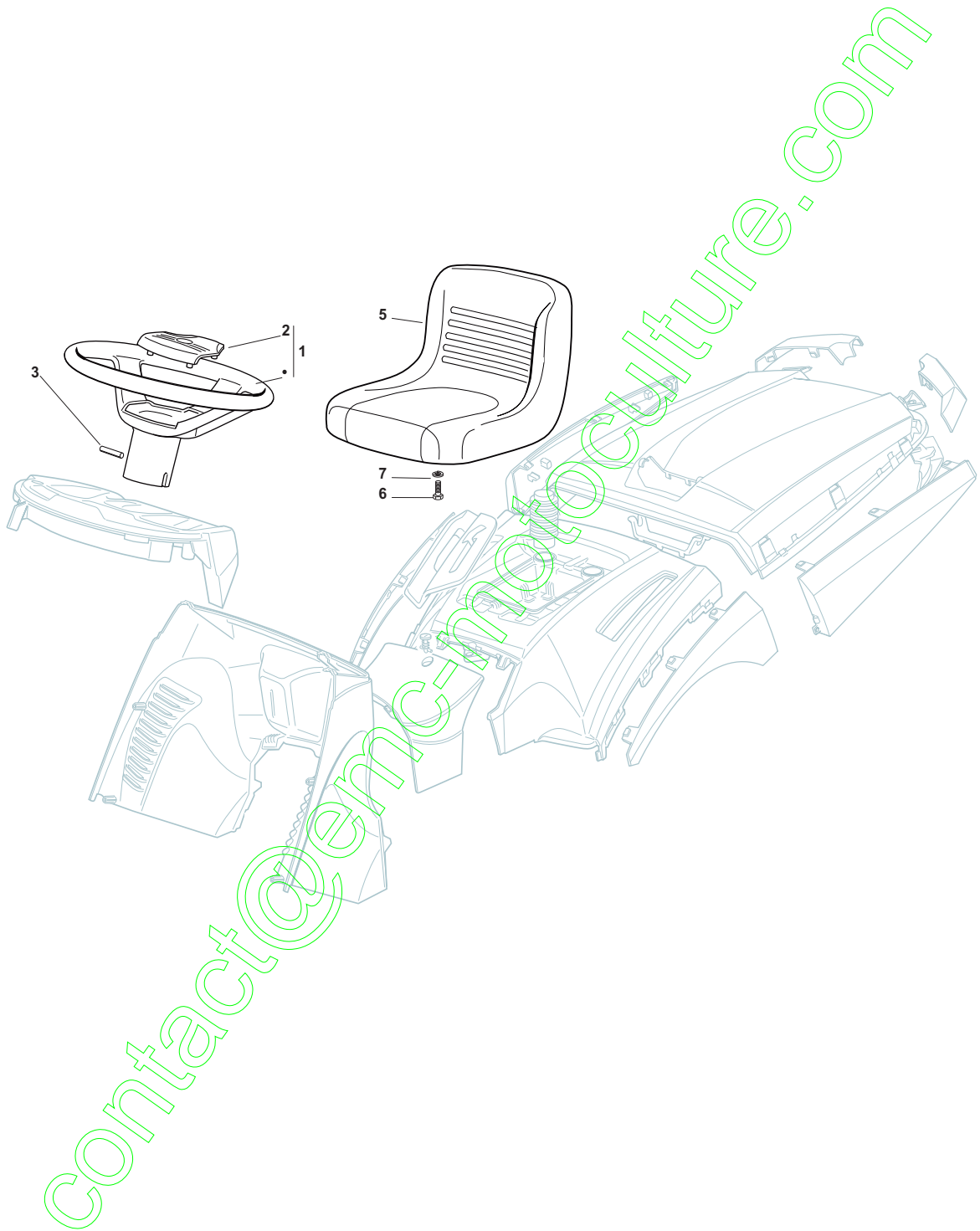
contact@emc-motoculture.com



contact@encinotoculture.com

Seat & Steering Wheel							
POS	CODE	Q.TY	DESCRIZIONE	DESCRIPTION	DESCRIPTION	BESCHREIBUNG	NOTES
1	25961210/0	1	Volante	Steering Wheel	Volant	Lenkrad	
2	25580501/0	1	Tappo	Cap	Bouchon	Stopfen	
3	12620299/0	1	Spina	Pin	Goupille	Stift	
5	25722457/0	1	Sedile	Seat	Siege	Sitz	
6	12793102/0	4	Vite	Screw	Vis	Schraube	
7	12583500/0	4	Grower	Grower	Grower	Grower	

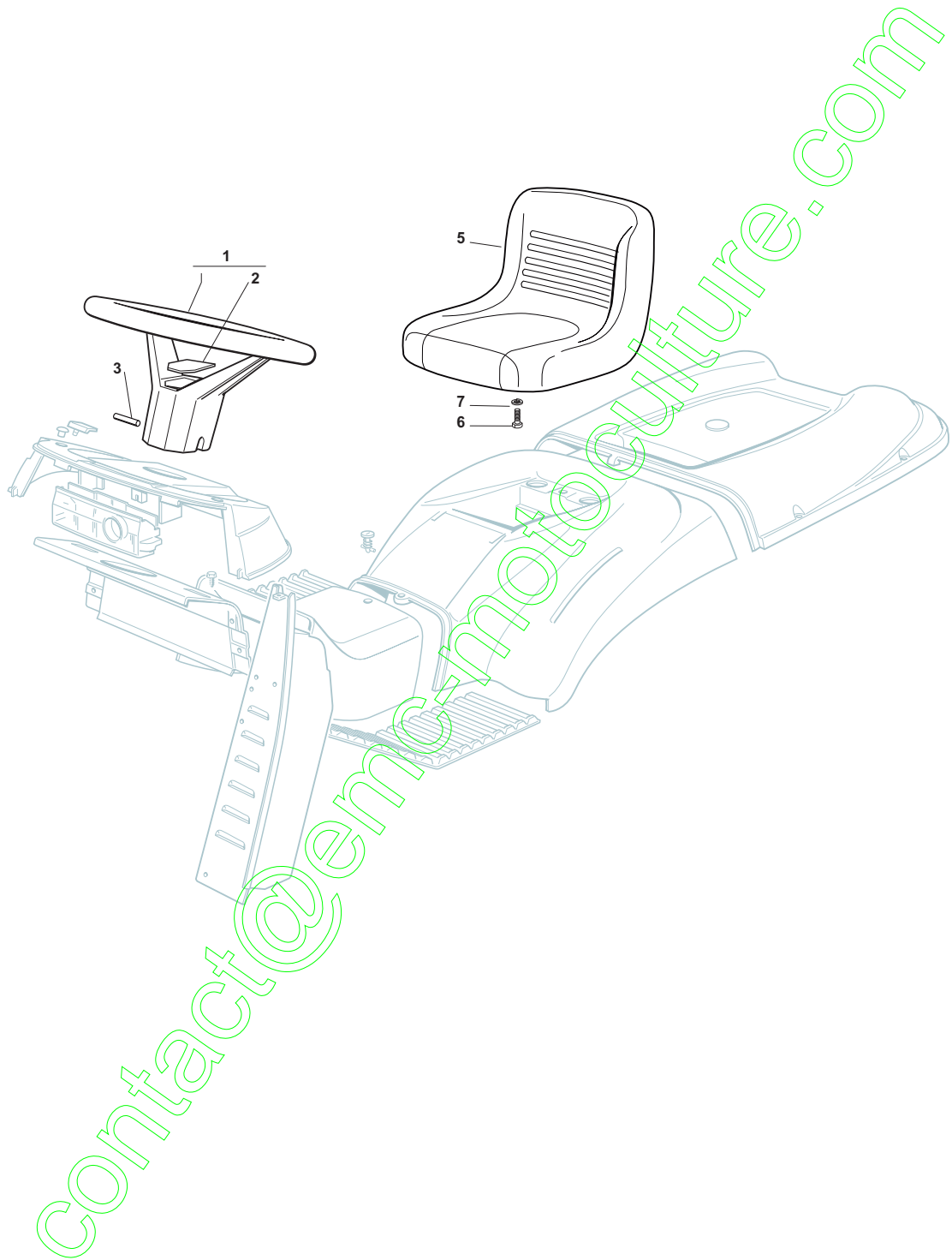
contact@enc-motoculture.com



**Seat & Steering Wheel**

POS	CODE	Q.TY	DESCRIZIONE	DESCRIPTION	DESCRIPTION	BESCHREIBUNG	NOTES
1	25961217/0	1	Volante,Nero	Steering Wheel	Volant,Noire	Lenkrad,Schwarz	
2	325580505/0	1	Tappo,Nero	Cap	Bouchon,Noire	Stopfen,Schwarz	
3	12620299/0	1	Spina	Pin	Goupille	Stift	
5	125722471/0	1	Sedile	Seat	Siege	Sitz	
6	12793102/0	4	Vite	Screw	Vis	Schraube	
7	12583500/0	4	Grower	Grower	Grower	Grower	

contact@emc-motoculture.com

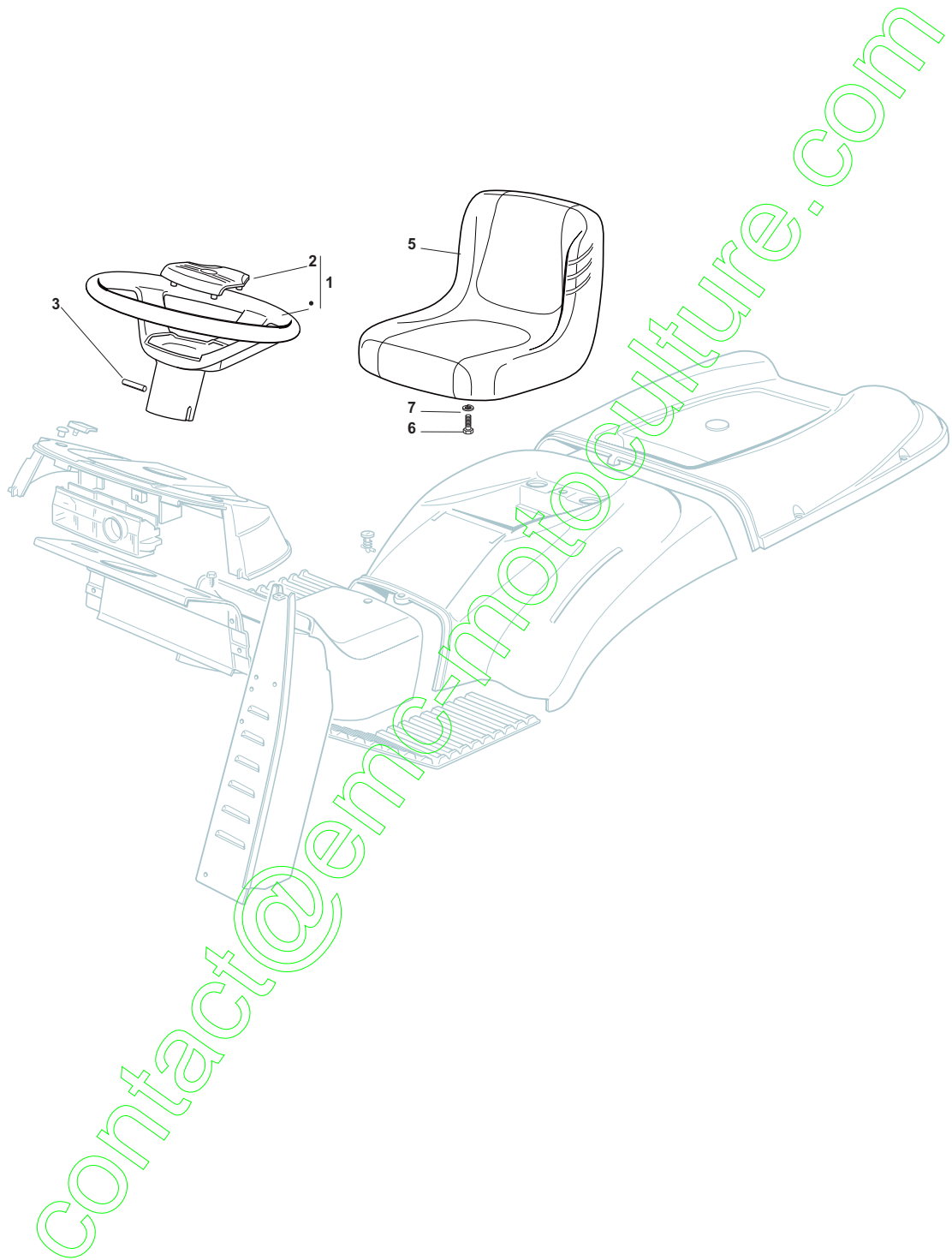




**Seat & Steering Wheel**

POS	CODE	Q.TY	DESCRIZIONE	DESCRIPTION	DESCRIPTION	BESCHREIBUNG	NOTES
1	25961213/0	1	Volante	Steering Wheel	Volant	Lenkrad	
2	25120231/0	1	Tappo	Cap	Bouchon	Stopfen	
3	12620299/0	1	Spina	Pin	Goupille	Stift	
5	125722467/1	1	Sedile	Seat	Siege	Sitz	
6	12793102/0	4	Vite	Screw	Vis	Schraube	
7	12583500/0	4	Grower	Grower	Grower	Grower	

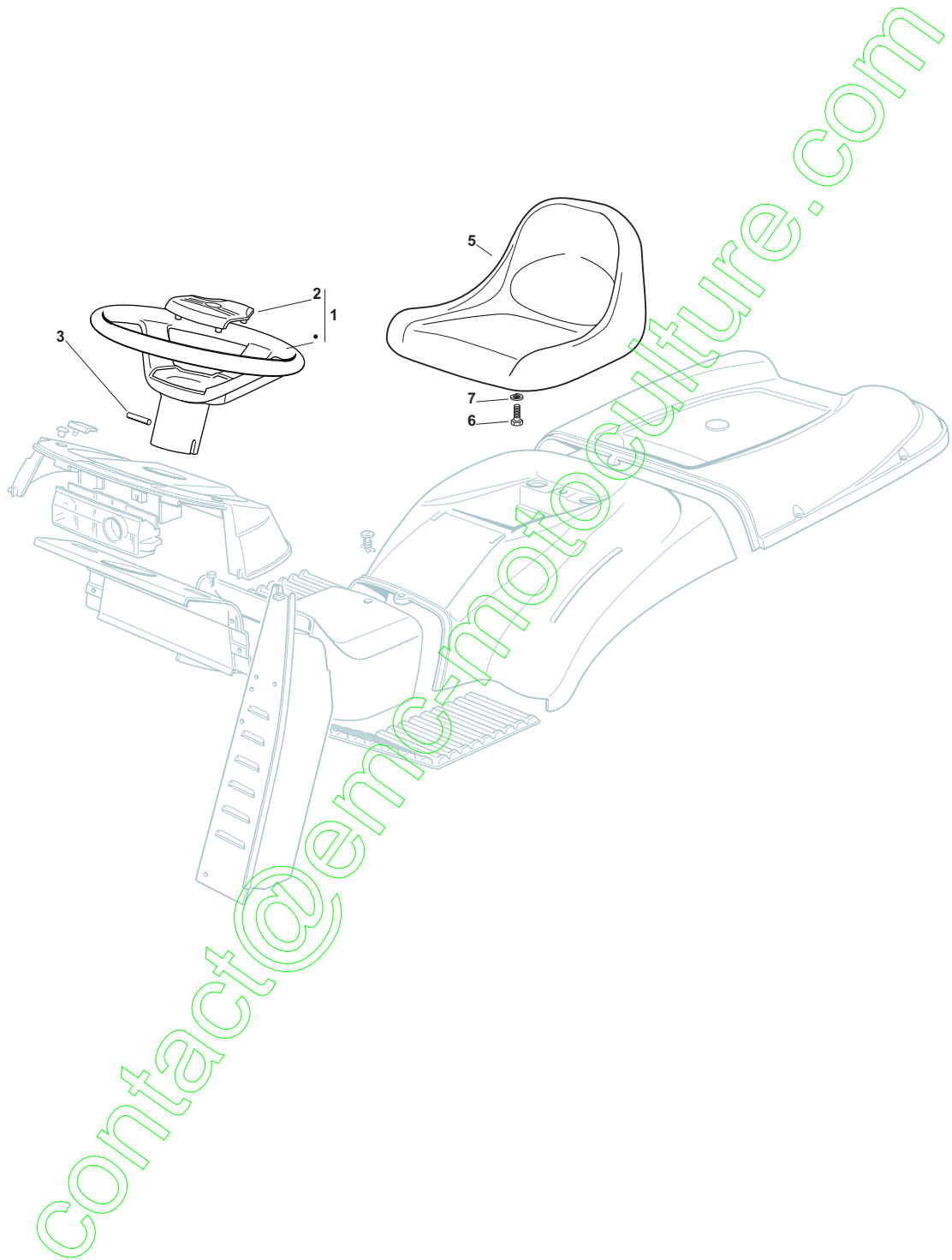
contact@enc-motoculture.com



**Seat & Steering Wheel**

POS	CODE	Q.TY	DESCRIZIONE	DESCRIPTION	DESCRIPTION	BESCHREIBUNG	NOTES
1	25961217/0	1	Volante,Nero	Steering Wheel	Volant,Noire	Lenkrad,Schwarz	
2	325580505/0	1	Tappo,Nero	Cap	Bouchon,Noire	Stopfen,Schwarz	
3	12620299/0	1	Spina	Pin	Goupille	Stift	
5	25722459/0	1	Sedile	Seat	Siege	Sitz	
6	12793102/0	4	Vite	Screw	Vis	Schraube	
7	12583500/0	4	Grower	Grower	Grower	Grower	

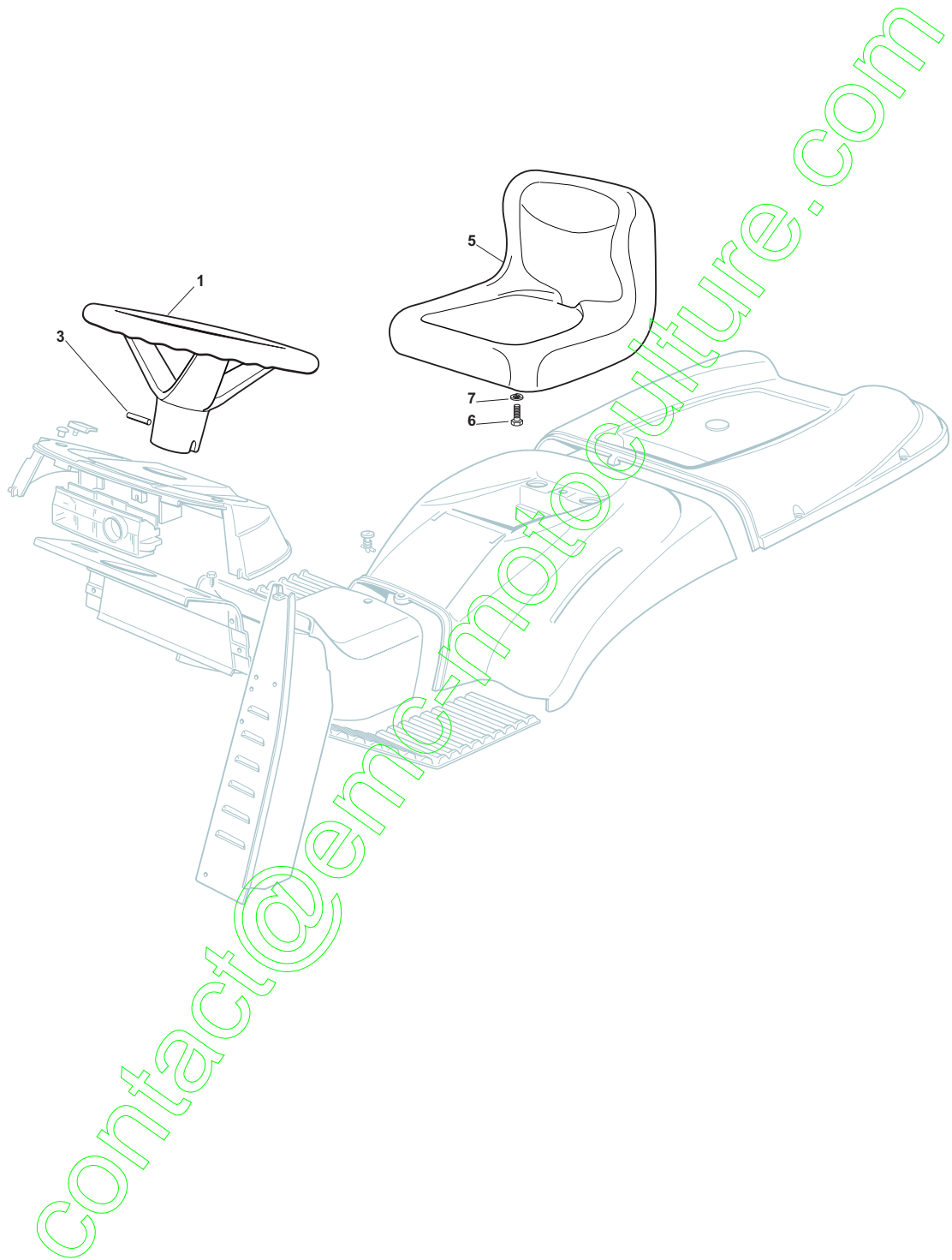
contact@emc-motoculture.com



**Seat & Steering Wheel**

POS	CODE	Q.TY	DESCRIZIONE	DESCRIPTION	DESCRIPTION	BESCHREIBUNG	NOTES
1	25961217/0	1	Volante,Nero	Steering Wheel	Volant,Noire	Lenkrad,Schwarz	
2	325580505/0	1	Tappo,Nero	Cap	Bouchon,Noire	Stopfen,Schwarz	
3	12620299/0	1	Spina	Pin	Goupille	Stift	
5	25722451/2	1	Sedile	Seat	Siege	Sitz	
6	12793102/0	4	Vite	Screw	Vis	Schraube	
7	12583500/0	4	Grower	Grower	Grower	Grower	

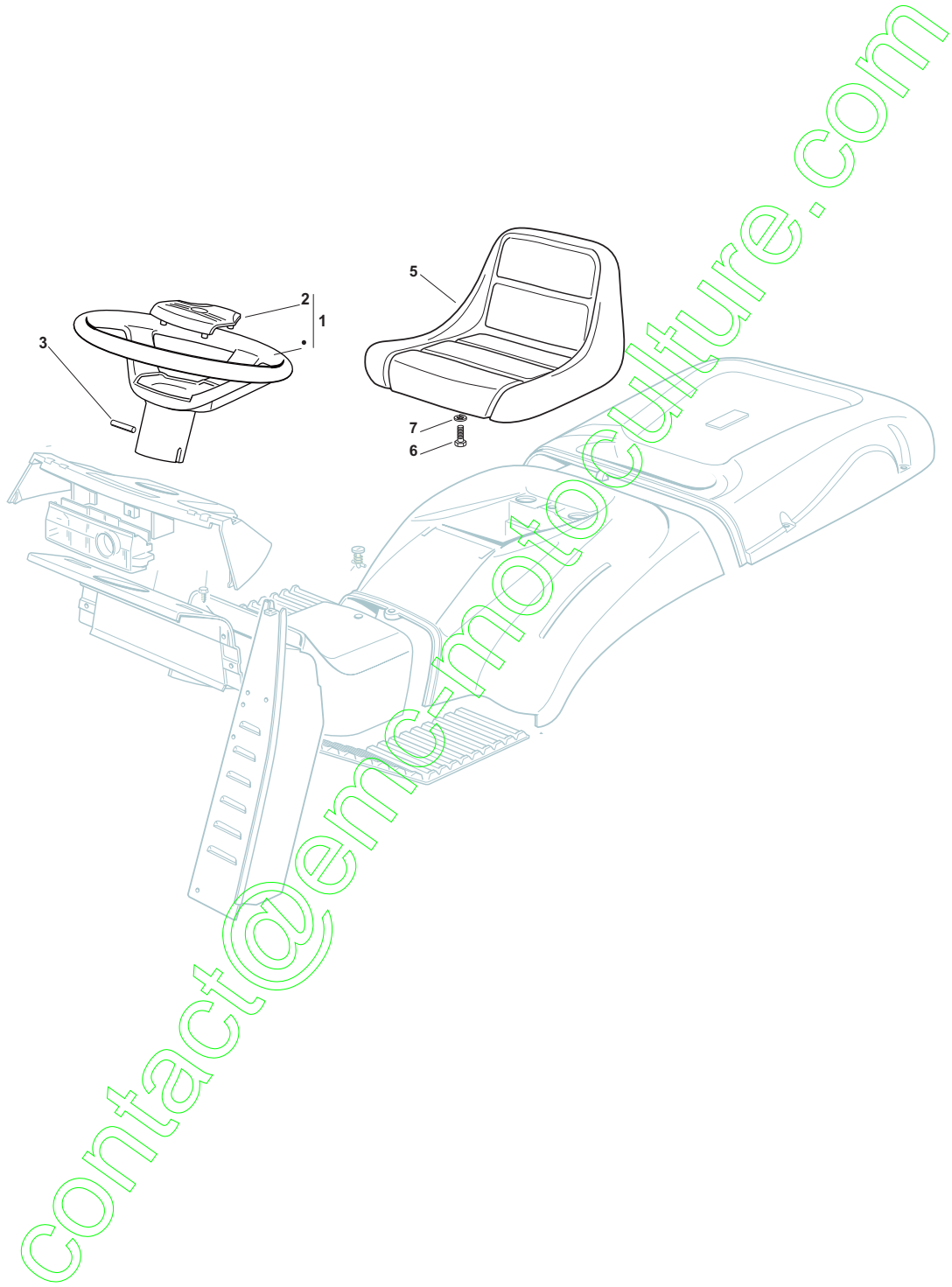
contact@emc-motoculture.com



**Seat & Steering Wheel**

POS	CODE	Q.TY	DESCRIZIONE	DESCRIPTION	DESCRIPTION	BESCHREIBUNG	NOTES
1	25961205/0	1	Volante	Steering Wheel	Volant	Lenkrad	
3	12620299/0	1	Spina	Pin	Goupille	Stift	
5	25722457/0	1	Sedile	Seat	Siege	Sitz	
6	12793102/0	4	Vite	Screw	Vis	Schraube	
7	12583500/0	4	Grower	Grower	Grower	Grower	

contact@enc-motoculture.com

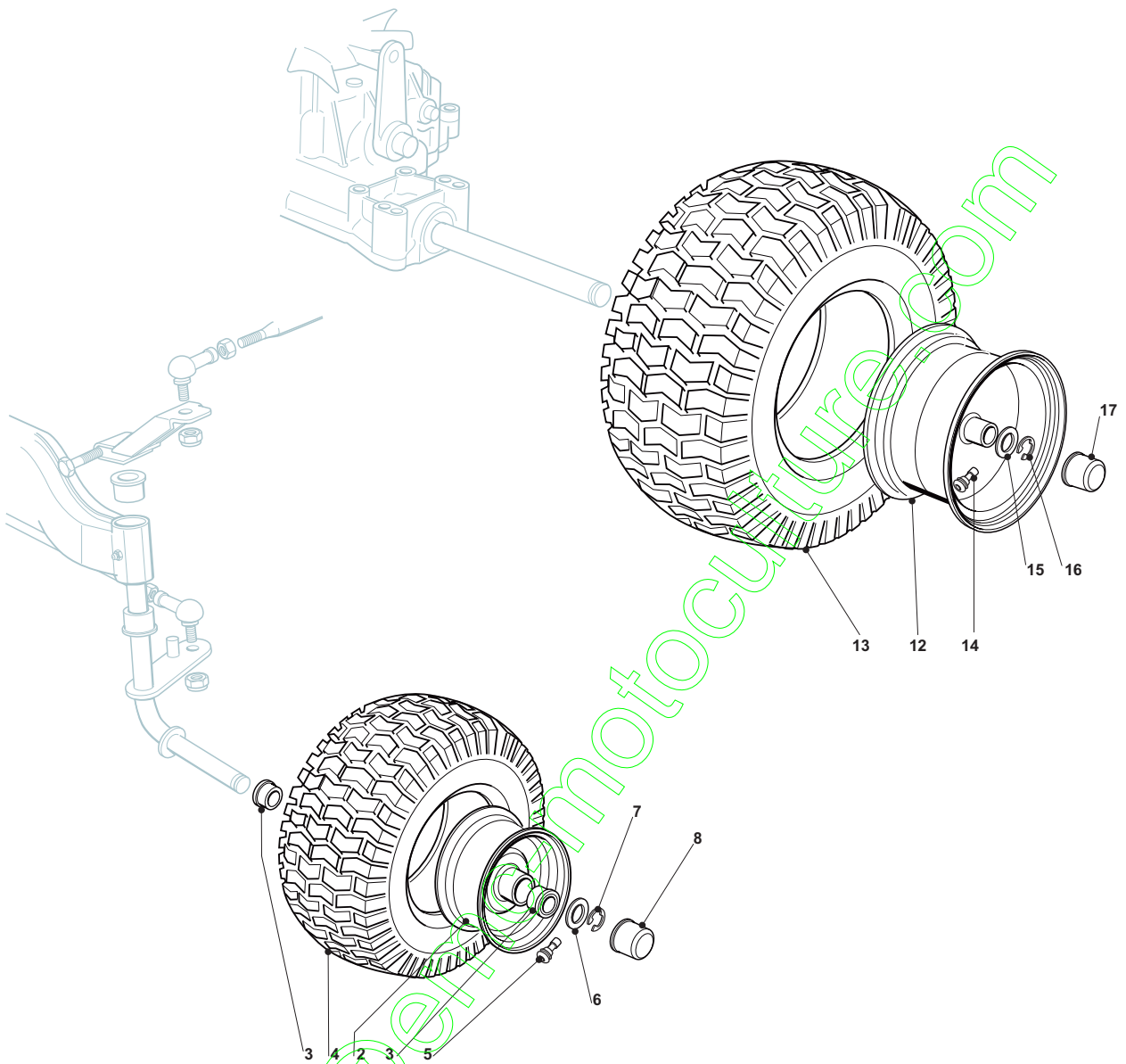




**Seat & Steering Wheel**

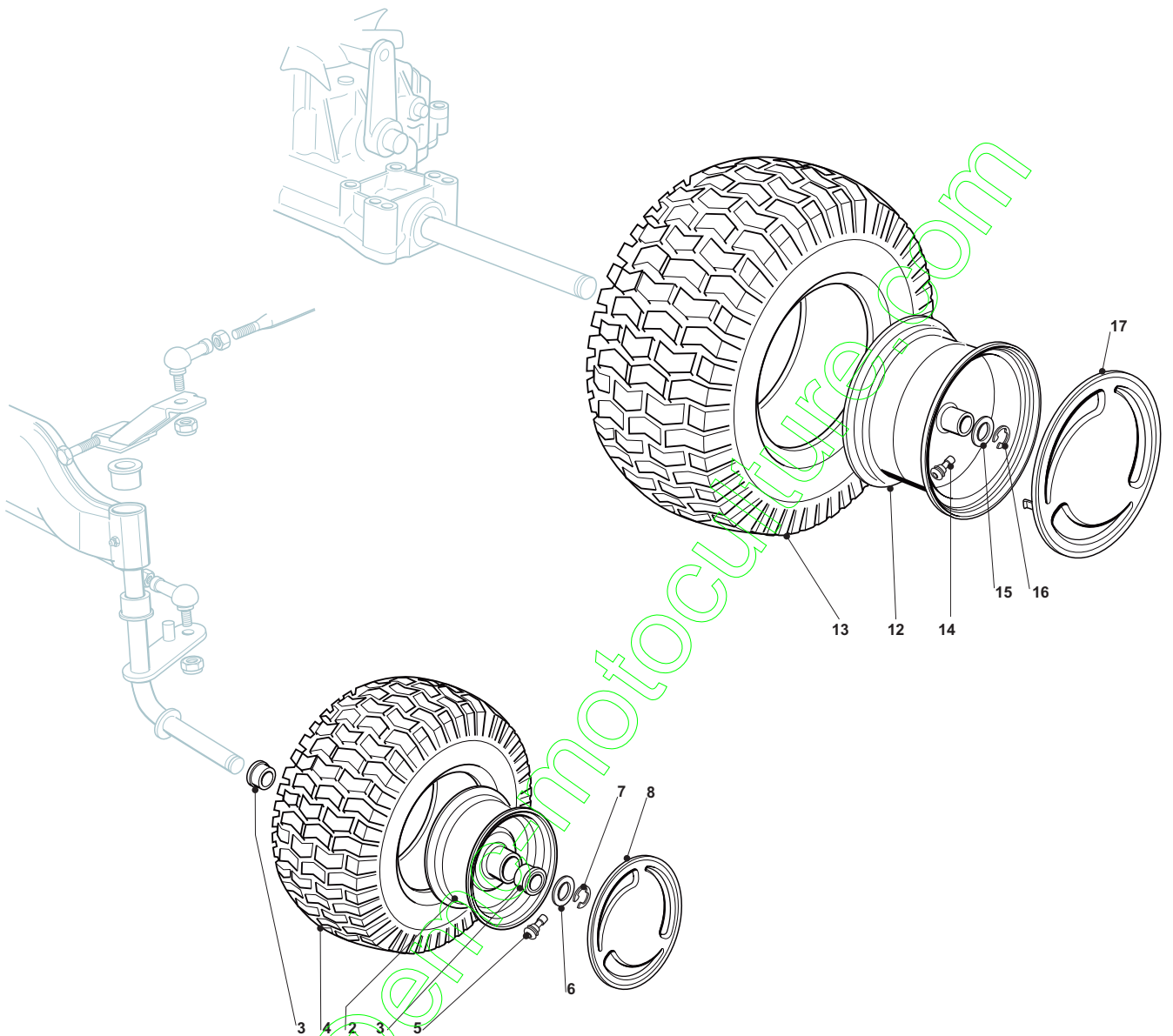
POS	CODE	Q.TY	DESCRIZIONE	DESCRIPTION	DESCRIPTION	BESCHREIBUNG	NOTES
1	25961214/0	1	Volante, Grigio	Steering Wheel	Volant, Gris	Lenkrad, Grau	
2	325580500/0	1	Tappo, Grigio	Cap	Bouchon, Gris	Stopfen, Grau	
3	12620299/0	1	Spina	Pin	Goupille	Stift	
5	25722450/1	1	Sedile	Seat	Siege	Sitz	
6	12793102/0	4	Vite	Screw	Vis	Schraube	
7	12583500/0	4	Grower	Grower	Grower	Grower	

contact@enc-motoculture.com



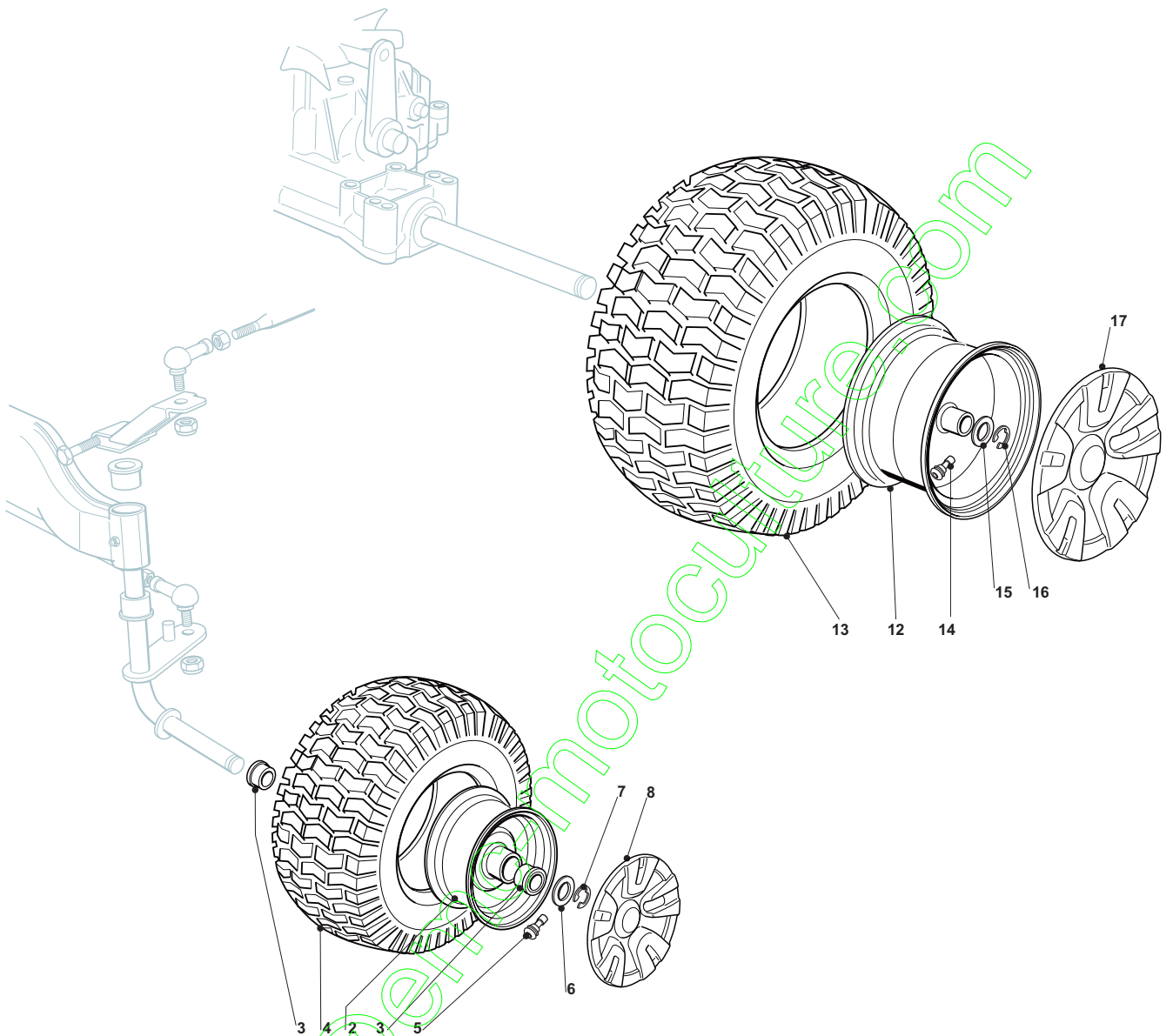
Wheels							
POS	CODE	Q.TY	DESCRIZIONE	DESCRIPTION	DESCRIPTION	BESCHREIBUNG	NOTES
2	182000598/0	2	Cerchio Ruota	Rimm	Bandage Roue	Vorderrad Felger	
3	25122200/2	4	Cuscinetto	Bearing	Roulement	Lager	
4	125590014/0	2	Pneumatico 13"	Tyre 13"	Pneu 13"	Reifen 13"	
4	127590066/0	2	Pneumatico 15"	Tyre 15"	Pneu 15"	Reifen 15"	
5	25950000/0	2	Valvola	Valve	Soupape	Ventil	
6	25670005/1	2	Rosetta	Washer	Rondelle	Scheibe	
7	12001000/0	2	Anello Elastico	Snap Ring	Anneau Ressort	Sprengring	
8	22110230/0	2	Coprizzo	Hub Cover	Couvre Moyeu	Nabendeckel	
12	182000599/0	2	Cerchio Ruota	Rimm	Bandage Roue	Hinterrad Felger	
13	125590015/0	2	Pneumatico	Shoe	Pneu	Reifen	
14	25950000/0	2	Valvola	Valve	Soupape	Ventil	
15	25670005/1	2	Rosetta	Washer	Rondelle	Scheibe	
16	12001010/0	2	Anello Elastico	Snap Ring	Anneau Ressort	Sprengring	
17	22110230/0	2	Coprizzo	Hub Cover	Couvre Moyeu	Nabendeckel	

contact@emc-motoculture.com



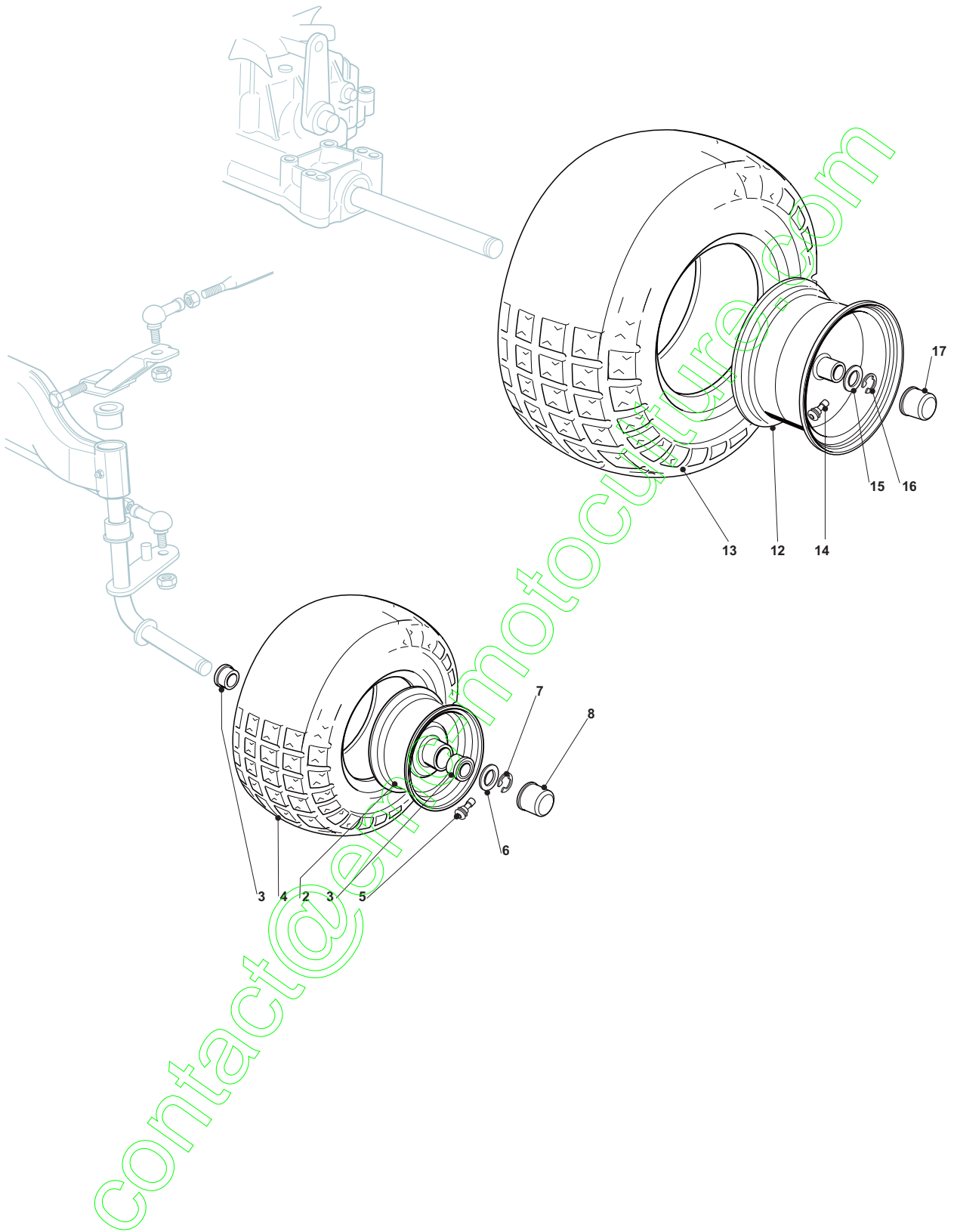
Wheels							
POS	CODE	Q.TY	DESCRIZIONE	DESCRIPTION	DESCRIPTION	BESCHREIBUNG	NOTES
2	182000598/0	2	Cerchio Ruota	Rimm	Bandage Roue	Vorderrad Felger	
3	25122200/2	4	Cuscinetto	Bearing	Roulement	Lager	
4	125590014/0	2	Pneumatico 13"	Tyre 13"	Pneu 13"	Reifen 13"	
4	127590066/0	2	Pneumatico 15"	Tyre 15"	Pneu 15"	Reifen 15"	
5	25950000/0	2	Valvola	Valve	Soupape	Ventil	
6	25670005/1	2	Rosetta	Washer	Rondelle	Scheibe	
7	12001000/0	2	Anello Elastico	Snap Ring	Anneau Ressort	Sprengring	
8	82110252/0	2	Coprizzo	Hub Cover	Couvre Moyeu	Nabendeckel	
12	182000599/0	2	Cerchio Ruota	Rimm	Bandage Roue	Hinterrad Felger	
13	125590015/0	2	Pneumatico	Shoe	Pneu	Reifen	
14	25950000/0	2	Valvola	Valve	Soupape	Ventil	
15	25670005/1	2	Rosetta	Washer	Rondelle	Scheibe	
16	12001010/0	2	Anello Elastico	Snap Ring	Anneau Ressort	Sprengring	
17	82110253/0	2	Copriruota Post.	Rear Wheel Deck	Couvre Roue Post.	Hinterraddeckel	

contact@emc-motoculture.com



Wheels							
POS	CODE	Q.TY	DESCRIZIONE	DESCRIPTION	DESCRIPTION	BESCHREIBUNG	NOTES
2	182000598/0	2	Cerchio Ruota	Rimm	Bandage Roue	Vorderrad Felger	
3	25122200/2	4	Cuscinetto	Bearing	Roulement	Lager	
4	125590014/0	2	Pneumatico 13"	Tyre 13"	Pneu 13"	Reifen 13"	
4	127590066/0	2	Pneumatico 15"	Tyre 15"	Pneu 15"	Reifen 15"	
5	25950000/0	2	Valvola	Valve	Soupape	Ventil	
6	25670005/1	2	Rosetta	Washer	Rondelle	Scheibe	
7	12001000/0	2	Anello Elastico	Snap Ring	Anneau Ressort	Sprengring	
8	82110274/0	2	Coprizzo	Hub Cover	Couvre Moyeu	Nabendeckel	
12	182000599/0	2	Cerchio Ruota	Rimm	Bandage Roue	Hinterrad Felger	
13	125590015/0	2	Pneumatico	Shoe	Pneu	Reifen	
14	25950000/0	2	Valvola	Valve	Soupape	Ventil	
15	25670005/1	2	Rosetta	Washer	Rondelle	Scheibe	
16	12001010/0	2	Anello Elastico	Snap Ring	Anneau Ressort	Sprengring	
17	82110275/0	2	Copriruota Post.	Rear Wheel Deck	Couvre Roue Post.	Hinterraddeckel	

contact@emc-motoculture.com





Wheels							
POS	CODE	Q.TY	DESCRIZIONE	DESCRIPTION	DESCRIPTION	BESCHREIBUNG	NOTES
2	82000590/1	2	Cerchio Ruota	Rimm	Bandage Roue	Vorderrad Felger	
3	25122200/2	4	Cuscinetto	Bearing	Roulement	Lager	
4	125590020/0	2	Pneumatico 15"	Tyre 15"	Pneu 15"	Reifen 15"	
5	25950000/0	2	Valvola	Valve	Soupape	Ventil	
6	25670005/1	2	Rosetta	Washer	Rondelle	Scheibe	
7	12001000/0	2	Anello Elastico	Snap Ring	Anneau Ressort	Sprengring	
8	22110230/0	2	Coprizzo	Hub Cover	Couvre Moyeu	Nabendeckel	
12	82000592/0	2	Cerchio Ruota	Rimm	Bandage Roue	Hinterrad Felger	
13	125590022/0	2	Pneumatico	Tire	Pneu	Reifen	
14	25950000/0	2	Valvola	Valve	Soupape	Ventil	
15	25670005/1	2	Rosetta	Washer	Rondelle	Scheibe	
16	12001010/0	2	Anello Elastico	Snap Ring	Anneau Ressort	Sprengring	
17	22110230/0	2	Coprizzo	Hub Cover	Couvre Moyeu	Nabendeckel	

contact@emc-motoculture.com