

ILLUSTRATED PARTS LIST

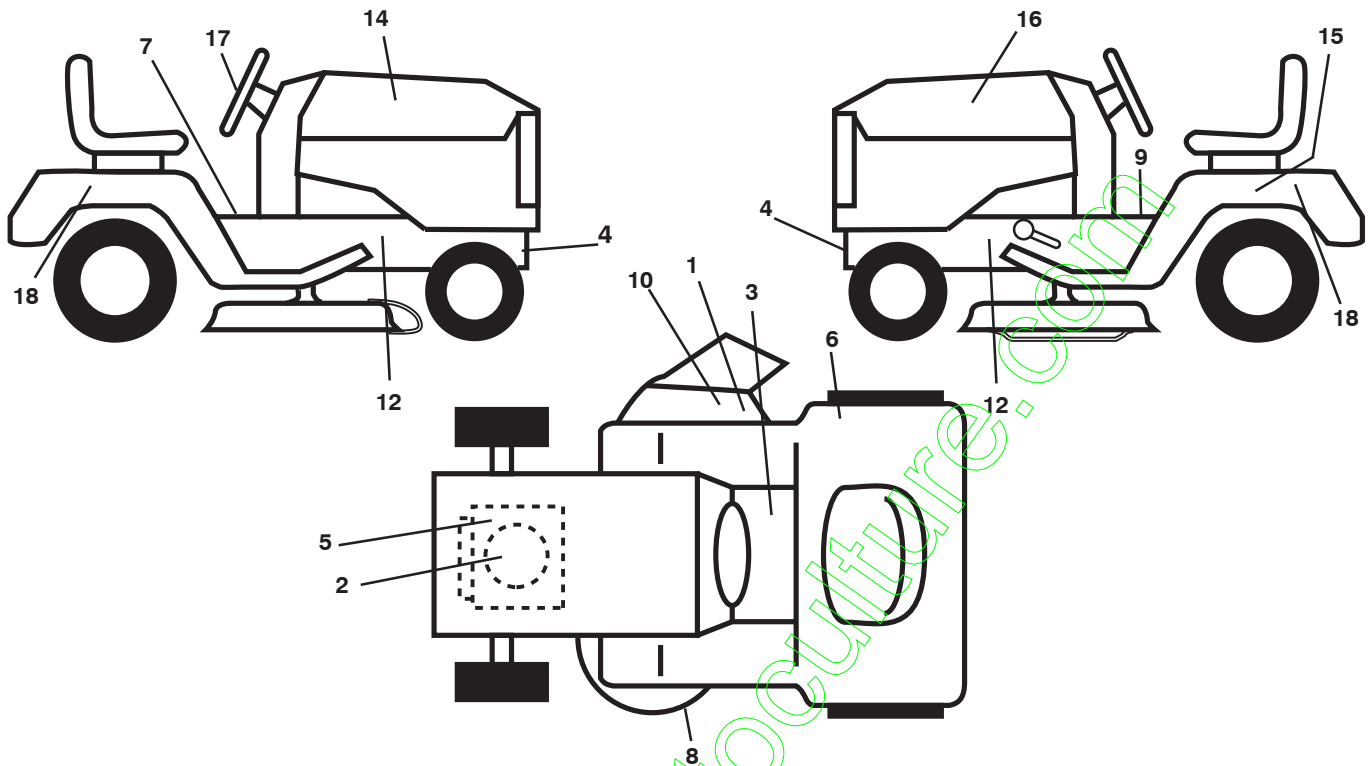
MODEL NO. 96011024802

CUSTOMER CATALOG NO. UN145B97

PRODUCT NO. 960 11 02-48

www.emc-motoculture.com

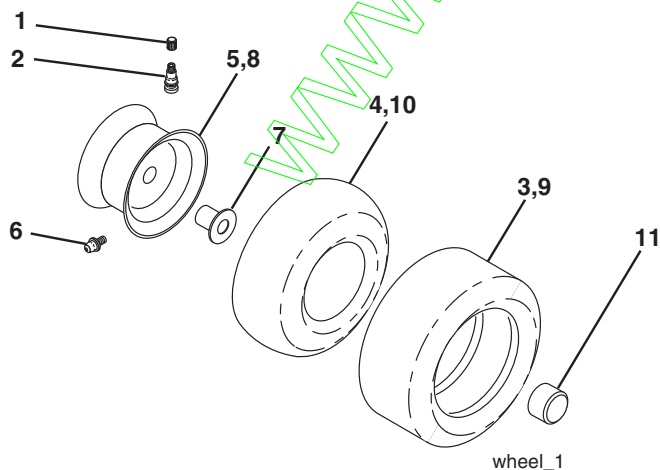
**TRACTOR - - MODEL NO. UN145B97 (96011024802), PRODUCT NO. 960 11 02-48
DECALS 27**



KEY NO.	PART NO.	DESCRIPTION
1	532 19 63-57	Decal, Deflect Wrn Cutfinger Sym
2	532 41 67-25	Decal, Engine
3	532 15 97-37	Decal, Brake/Clutch
4	532 15 97-36	Decal, Hot Muffler
5	532 19 68-41	Decal, Warning Engine Sym
6	532 18 04-32	Decal, DB/CE
7	532 40 03-89	Decal, Read Owner's Manual
8	532 19 43-02	Decal, V-Belt Sch.
9	532 14 08-37	Decal, Parking Brake
10	532 18 21-66	Decal, Cut Finger

KEY NO.	PART NO.	DESCRIPTION
12	532 19 68-42	Decal, Warning
14	532 41 73-23	Decal, Hood RH
15	532 14 50-05	Decal, Caution, Battery
16	532 41 73-24	Decal, Hood LH
17	532 19 44-78	Decal, Wheel Steering
18	532 19 44-77	Decal, Fender
--	532 16 25-98	Decal, Drawbar
--	532 13 83-11	Decal, Handle Lft Height Adj.
--	532 40 09-01	Manual, Operator's, Euro

WHEELS & TIRES

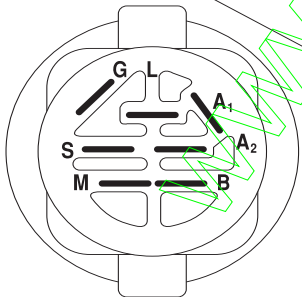
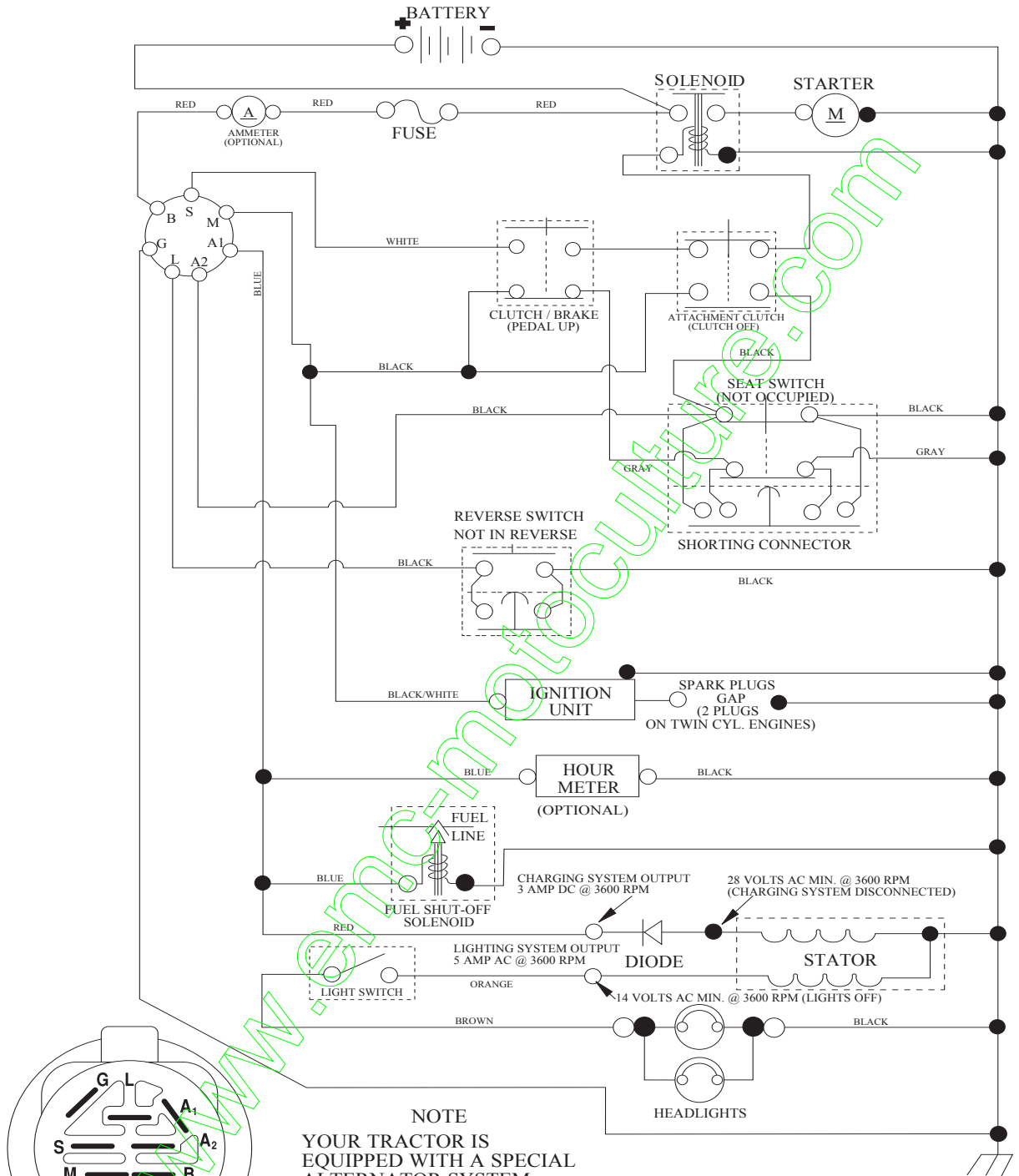


KEY NO.	PART NO.	DESCRIPTION
1	532 05 91-92	Cap, Tire Valve
2	532 06 51-39	Stem, Valve
3	532 10 62-22	Tire, Front
4	532 05 99-04	Tube, Front (Service Item Only)
5	532 18 33-37	Rim Assembly, 6" Front
6	532 12 49-57	Fitting, Grease (Front Wheel Only)
7	532 12 49-59	Bearing, Flange (Front Wheel Only)
8	532 18 33-38	Rim Assembly, 8" Rear
9	532 10 62-68	Tire Rear 18 x 9.5-8 "Turf Saver"
--	532 42 05-31	Tire Rear 18 x 9.5-8 "Turf Saver LT"
10	532 12 49-26	Tube, Rear (Service Item Only)
11	532 17 50-39	Cap, Hub Axle
--	532 14 43-34	Sealant, Tire (10 oz. Tube)

NOTE: All component dimensions given in U.S. inches
1 inch = 25.4 mm

TRACTOR - - MODEL NO. UN145B97 (96011024802), PRODUCT NO. 960 11 02-48 SCHEMATIC **38**

SCH03



IGNITION SWITCH

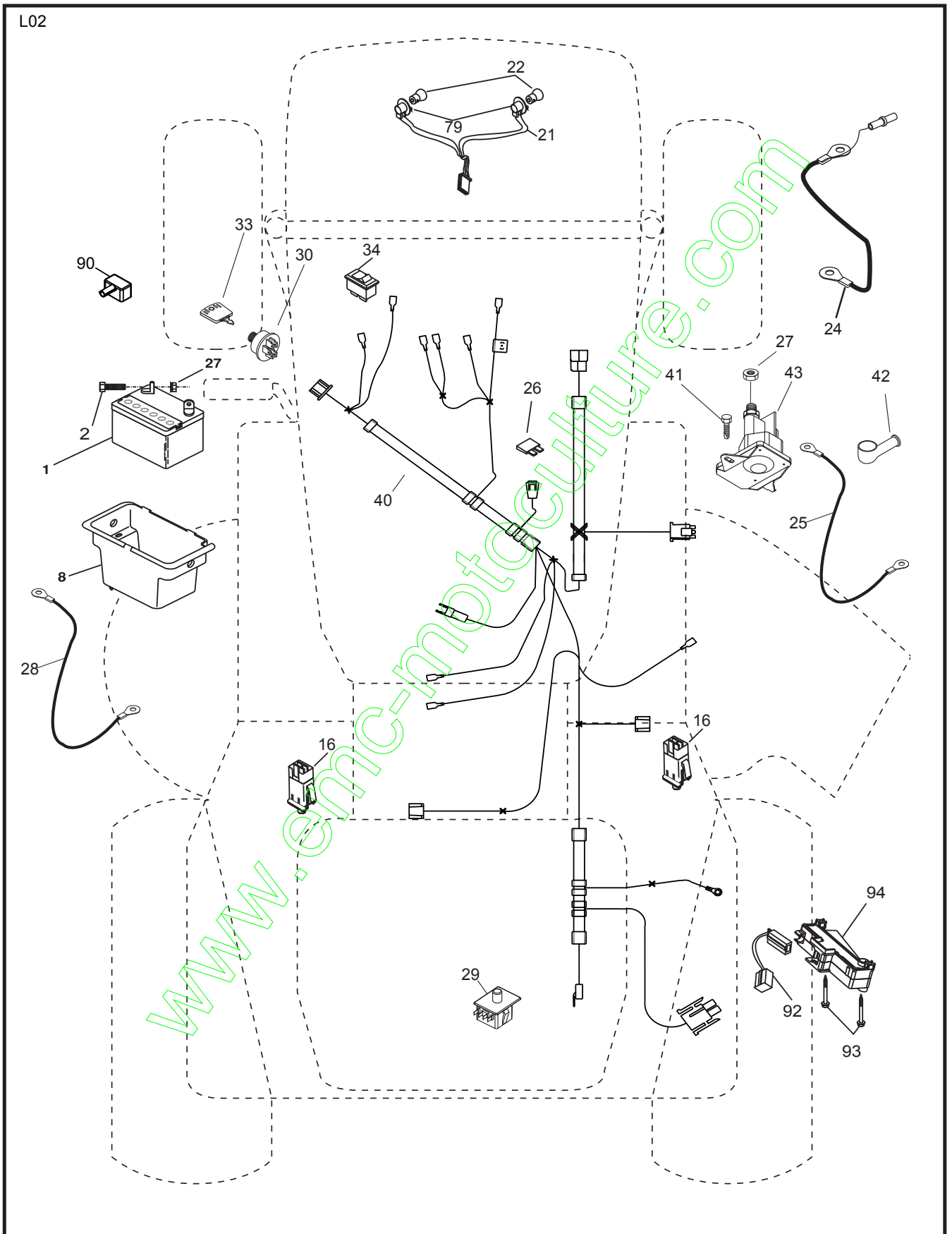
POSITION	CIRCUIT "MAKE"
OFF	M+G+A1
RUN/OVERRIDE	B+A1
RUN	B+A1 L+A2
START	B + S + A1

NOTE
YOUR TRACTOR IS EQUIPPED WITH A SPECIAL ALTERNATOR SYSTEM. THE LIGHTS ARE NOT CONNECTED TO THE BATTERY, BUT HAVE THEIR OWN ELECTRICAL SOURCE. BECAUSE OF THIS, THE BRIGHTNESS OF THE LIGHTS WILL CHANGE WITH ENGINE SPEED. AT IDLE THE LIGHTS WILL DIM. AS THE ENGINE IS SPEEDED UP, THE LIGHTS WILL BECOME THEIR BRIGHTEST.

● NON-REMOVABLE CONNECTIONS
○ REMOVABLE CONNECTIONS

WIRING INSULATED CLIPS
NOTE: IF WIRING INSULATED CLIPS WERE REMOVED FOR SERVICING OF UNIT, THEY SHOULD BE RE-INSTALLED TO PROPERLY SECURE YOUR WIRING.

TRACTOR - - MODEL NO. UN145B97 (96011024802), PRODUCT NO. 960 11 02-48
ELECTRICAL **32**

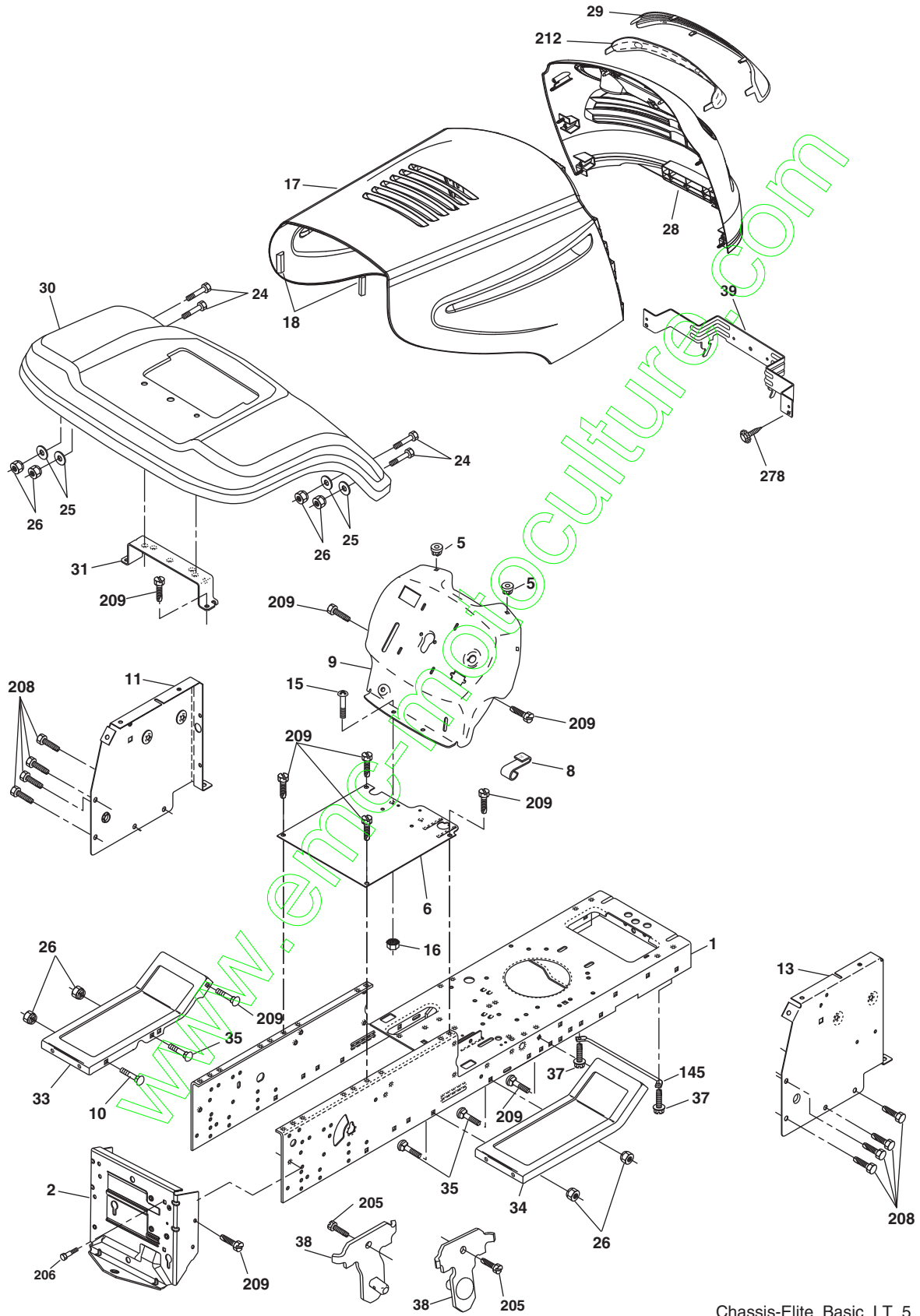


**TRACTOR - - MODEL NO. UN145B97 (96011024802), PRODUCT NO. 960 11 02-48
ELECTRICAL 32**

KEY NO.	PART NO.	DESCRIPTION
1	532 16 34-65	Battery 12 Volt 25 Amp
2	874 76 04-12	Bolt Hex Hd 1/4-20 unc x 3/4
8	532 17 66-89	Battery Box
16	532 17 61-38	Switch Interlock Push-In
21	532 18 37-59	Harness Asm.
22	532 00 41-52	Bulb
24	532 12 47-80	Cable Battery 6 Ga. 11" Red
25	532 14 61-47	Cable Battery
26	532 17 51-58	Fuse
27	873 51 04-00	Nut Keps Hex 1/4-20 unc
28	532 12 47-73	Cable Ground 6 Ga. 12" Black
29	532 19 27-49	Switch Seat
30	532 19 33-50	Switch Ignition
33	532 41 19-35	Key/Chain
34	532 11 07-12	Switch Light
40	532 19 74-28	Harness Ignition
41	871 11 04-08	Bolt Blk Fin Hex 1/4-20
42	532 13 15-63	Cover Terminal Red
43	532 19 25-07	Solenoid
79	532 17 52-42	Socket Asm. Bulb Twistlock
90	532 18 04-49	Cover Terminal Battery
92	532 19 66-15	Harness Pigtail Console ROS
93	532 19 25-40	Screw Plastite 10-14 x 2.0
94	532 19 18-34	Module Reverse ROS

NOTE: All component dimensions given in U.S. inches
1 inch = 25.4 mm

TRACTOR - - MODEL NO. UN145B97 (96011024802), PRODUCT NO. 960 11 02-48
CHASSIS AND ENCLOSURES 39



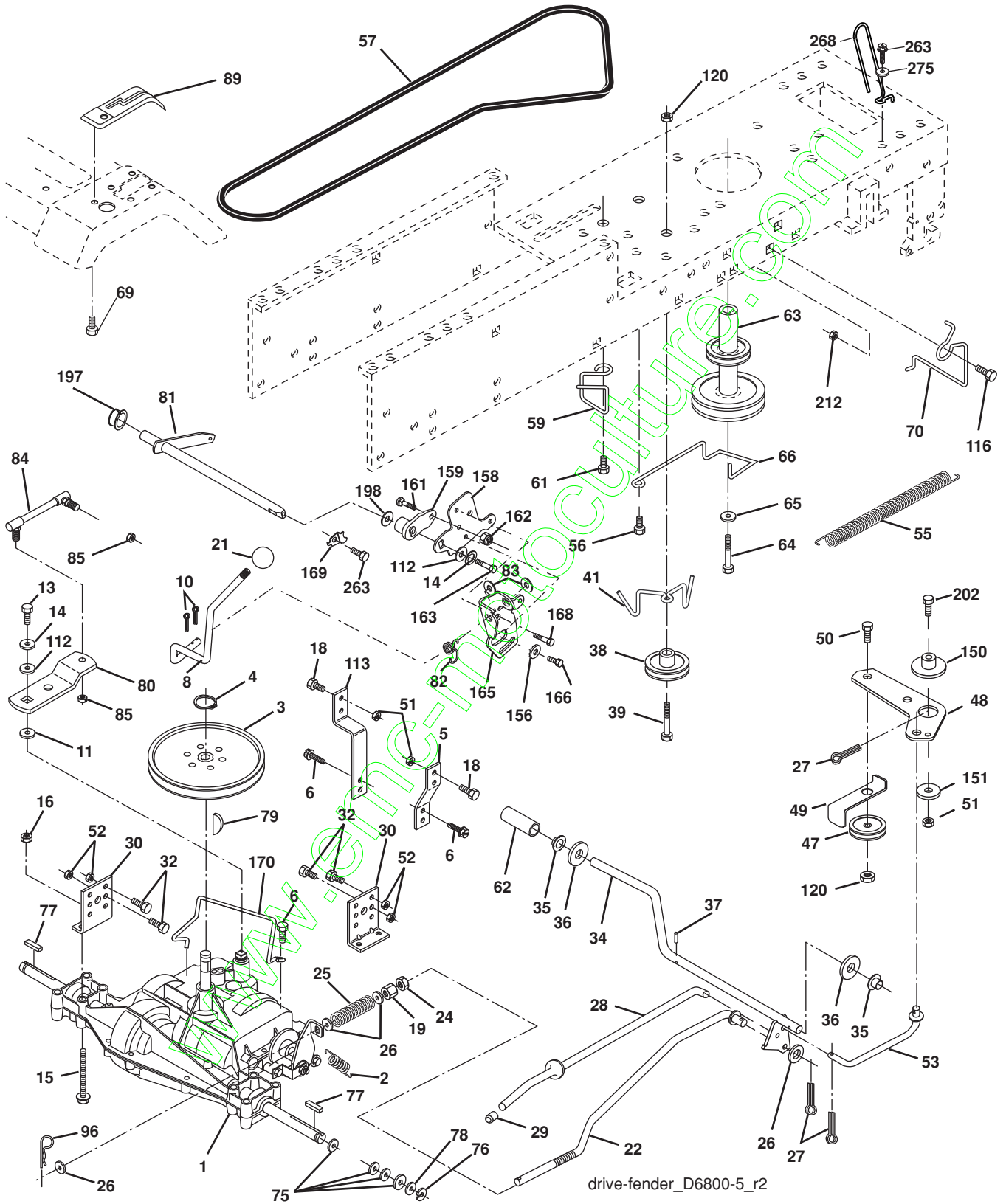
Chassis-Elite_Basic_LT_5

**TRACTOR - - MODEL NO. UN145B97 (96011024802), PRODUCT NO. 960 11 02-48
CHASSIS AND ENCLOSURES 39**

KEY NO.	PART NO.	DESCRIPTION
1	532 17 46-20	Chassis
2	532 17 65-54	Drawbar
5	532 15 52-72	Bumper, Hood/Dash
6	532 18 44-19	Saddle
8	532 15 51-38	Clip Retainer Slide-On
9	532 19 46-88	Dash
10	872 14 06-08	Bolt, Carriage 3/8-16 x 1
11	532 17 49-96	Panel Dash LH
13	532 18 69-52	Panel Silscr Dash RH
15	874 18 05-12	Screw Mach TRHD 5/16-18 unc x 3/4
16	873 51 05-00	Nut Keps 5/16-18 unc
17	532 18 67-07	Hood
18	532 18 49-21	Bumper Hood
24	874 78 06-16	Bolt Fin Hex 3/8-16 unc x 1 Gr. 5
25	819 13 13-12	Washer 13/32 x 13/16 x 12 Ga.
26	873 80 06-00	Nut Lock Hex w/Ins 3/8-16 unc
28	532 18 38-26	Grille (Includes Key Nos. 29 and 212)
29	532 18 98-37	Lens Grille
30	532 19 58-55	Fender
31	532 13 66-19	Bracket Fender Repl 109873x
33	532 18 11-93	Footrest Pnt LH
34	532 18 11-94	Footrest Pnt RH
35	872 11 06-06	Bolt Rdhd Sht Sqnk 3/8-16 x 3/4
37	817 49 05-08	Screw Thdrol 5/16-18 x 1/2 TYT
38	532 17 57-10	Bracket Asm. Pivot Mower Rear
39	532 40 78-07	Bracket Pivot
145	532 40 91-67	Rod Pivot Chassis/Hood
205	817 49 06-08	Screw Thdrol 3/8-16 x 1/2
206	532 17 01-65	Bolt Shoulder 5/16-18
208	817 67 06-08	Screw Thdrol 3/8-16 x 1/2
209	817 00 06-12	Screw Hex Wsh Thdrol 3/8-16
212	532 18 38-23	Insert Lens Reflective
278	532 19 16-11	Screw 10 x 3/4 Single Lead-Hex
- -	532 00 54-79	Plug Button Blk 359 Dia Choke

NOTE: All component dimensions given in U.S. inches
1 inch = 25.4 mm

TRACTOR - - MODEL NO. UN145B97 (96011024802), PRODUCT NO. 960 11 02-48
DRIVE **40**



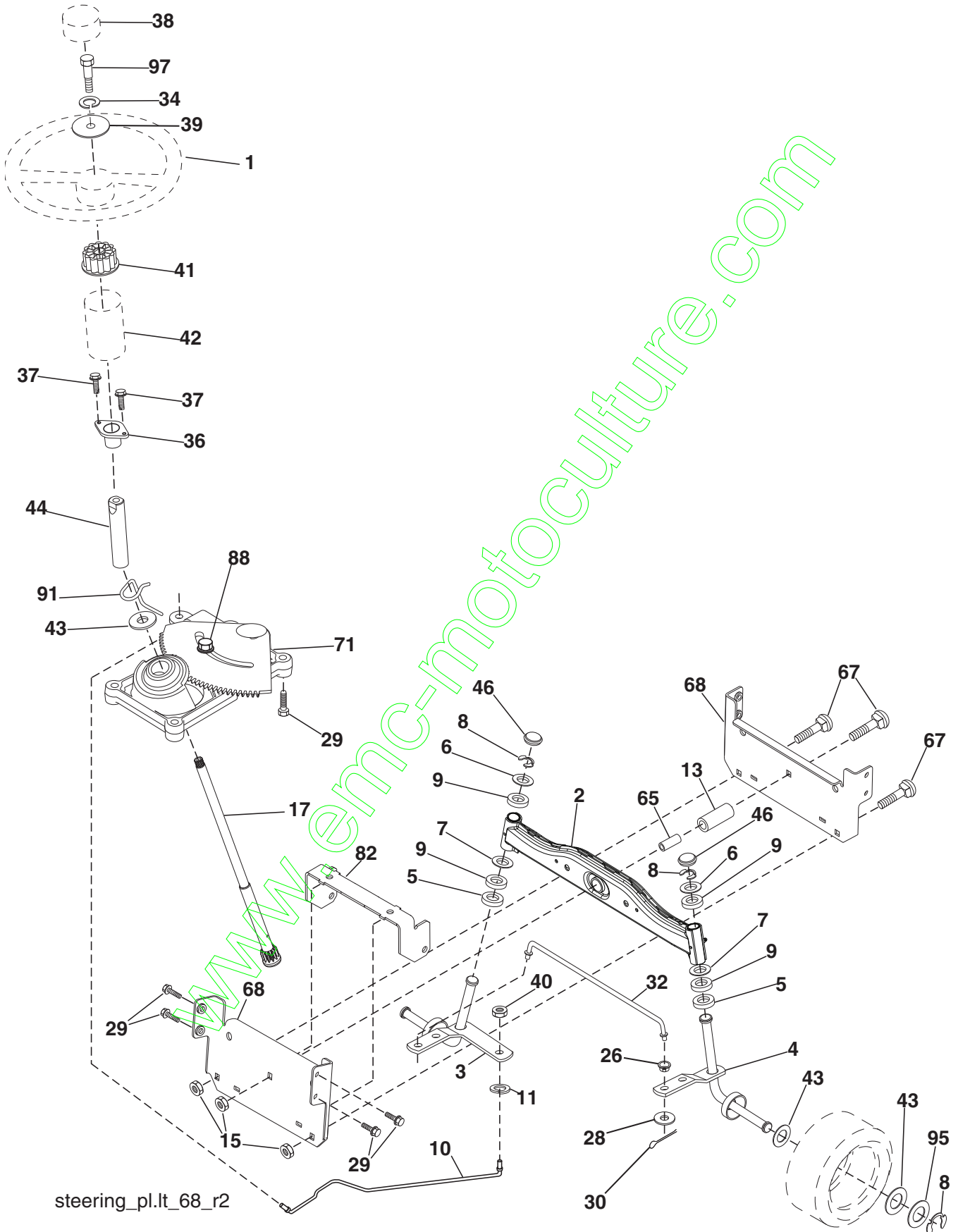
**TRACTOR - - MODEL NO. UN145B97 (96011024802), PRODUCT NO. 960 11 02-48
DRIVE 40**

KEY NO.	PART NO.	DESCRIPTION
1	-----	Transaxle DANA D6800-5
2	532 14 66-82	Spring Return Brake T/A Zinc
3	532 12 36-66	Pulley Transaxle 18" Tires
4	812 00 00-28	Ring Retainer #5100-62
5	532 12 15-20	Strap Torque 30 Degrees
6	817 06 05-12	Screw Thdrol 5/16-18 x 3/4
8	532 19 27-06	Rod Shift Fender Adjust Lt
10	876 02 04-16	Pin Cotter 1/8 x 1 Cad
11	532 10 57-01	Washer Plate Shf 388 Sq Hole
13	874 55 04-12	Bolt 1/4-28 unf Gr. 8 w/Patch
14	810 04 04-00	Washer Lock Hvy Helical
15	874 49 05-44	Bolt Hex 5/16-18 Gr. 5
16	873 80 05-00	Nut Lock Hex w/Ins 5/16-18
18	874 78 06-16	Bolt, Fin Hex 3/8-16 unc x 1 Gr. 5
19	873 80 06-00	Nut Lock 3/8-16 unc
21	532 10 69-33	Knob
22	532 13 08-04	Rod Brake
24	873 35 06-00	Nut Hex Jam 3/8-16 unc
25	532 10 68-88	Spring Rod Brake 2 00 Zinc
26	819 13 13-16	Washer 13/32 x 13/16 x 16 Ga.
27	876 02 04-12	Pin Cotter 1/8 x 3/4 Cad
28	532 17 57-65	Rod Brake Parking LT/YT
29	532 07 16-73	Cap Brake Parking Black
30	532 17 49-73	Bracket Mtg Transaxle
32	874 76 05-12	Bolt Hex Hd 5/16-18 unc x 3/4
34	532 17 55-78	Shaft Asm Pedal Foot
35	532 12 01-83	Bearing Nylon Blk 629 Id
36	819 21 16-16	Washer 21/32 x 1 x 16 Ga.
37	532 12 49-63	Pin Roll 3/16 x 1"
38	532 17 91-14	Pulley Idler Composite
39	872 11 06-22	Bolt Fin Hex 3/8-16 unc x 2-3/4 Gr. 5
41	532 17 55-56	Keeper Belt Idler Flat
47	532 12 77-83	Pulley Idler V Groove Plastic
48	532 15 44-07	Bellcrank Clutch Grnd Driv
49	532 12 32-05	Retainer Belt Style Spring
50	872 11 06-12	Bolt 3/8-16 x 1-1/2 Gr. 5
51	873 68 06-00	Nut Crownlock 3/8-16 unc
52	873 68 05-00	Nut Crownlock 5/16-18 unc
53	532 19 96-52	Link Clutch
55	532 10 57-09	Spring Return Clutch 6 75
56	817 06 06-20	Screw 3/8-16 x 3/4
57	532 40 16-03	V-Belt Ground Drive 95.68
59	532 16 96-91	Keeper Belt Span Ctr
61	817 12 06-14	Screw 3/8-16 x .875
62	532 12 48-72	Cover Pedal Round
63	532 17 54-10	Engine Pulley

KEY NO.	PART NO.	DESCRIPTION
64	532 17 39-37	Bolt Hex
65	810 04 07-00	Washer Lock Hvy Hlcl Spr 7/16
66	532 15 47-78	Keeper Belt Engine Foolproof
69	532 14 24-32	Screw Hex 1/4-1/2 unc
70	532 13 46-83	Guide Belt Mower Drive RH
75	532 12 17-49	Washer 25/32 x 1 1/4 x 16 Ga.
76	812 00 00-01	E-ring #5133-75
77	532 12 35-83	Key Square 2 0 x 1845/1865
78	532 12 17-48	Washer 25/32 x 1-5/8 x 16 Ga.
79	532 12 50-96	Key Woodruff #9 3/16 x 3/4
80	532 13 14-88	Arm Shift
81	532 16 55-94	Shaft Asm Cross 18" T
82	532 16 57-11	Spring Torsion T/A
83	819 17 12-16	Washer 17/32 x 3/4 x 16 Ga.
84	532 16 62-29	Link Transaxle
85	532 15 03-60	Nut Lock Center 1/4 - 28 FNTHD
89	532 19 58-61	Console Shift STLT
96	532 12 47-88	Retainer Spring 1"
112	819 09 12-10	Washer 9/32 x 3/4 x 10 Ga.
113	532 12 72-85	Strap Torque LT
116	872 14 06-08	Bolt Rdhd Sq Neck 3/8-16 x 1.0
120	873 90 06-00	Nut Lock Flg. 3/8-16 unc
150	532 17 54-56	Spacer
151	819 13 32-10	Washer 13/32 x 2 x 10 Ga.
156	532 16 60-02	Washer Srrted 5/16 ID x 1.125
158	532 16 55-89	Bracket Shift Mount
159	532 18 39-00	Hub Shift
161	872 14 04-06	Bolt Rdhd Sqnk 1/4-20 x 3/4 Gr. 5
162	873 68 04-00	Nut Crownlock 1/4-20 unc
163	874 78 04-16	Bolt Hex Fin 1/4-20 unc x 1 Gr. 5
165	532 16 56-23	Bracket Pivot Lever
166	817 49 05-10	Screw 5/16-18 x 5/8
168	532 16 54-92	Bolt Shoulder 5/16-18 x .561
169	532 16 55-81	Plate Fastening Lt
170	532 18 74-14	Keeper, Belt T/A
197	532 16 96-13	Nyliner Snap-In
198	532 16 98-45	Washer Nyl
202	872 11 06-14	Bolt Carr. SH 3/8-16 x 1-3/4 Gr. 5
212	532 14 52-12	Nut, Hex Flange Lock
263	817 00 06-12	Screw 3/8-16 x 3/4
268	532 18 24-02	Guard Muffler
275	819 13 16-14	Washer 13/32 x 1 x 14 Ga.

NOTE: All component dimensions given in U.S. inches
1 inch = 25.4 mm

TRACTOR - - MODEL NO. UN145B97 (96011024802), PRODUCT NO. 960 11 02-48
STEERING ASSEMBLY 41

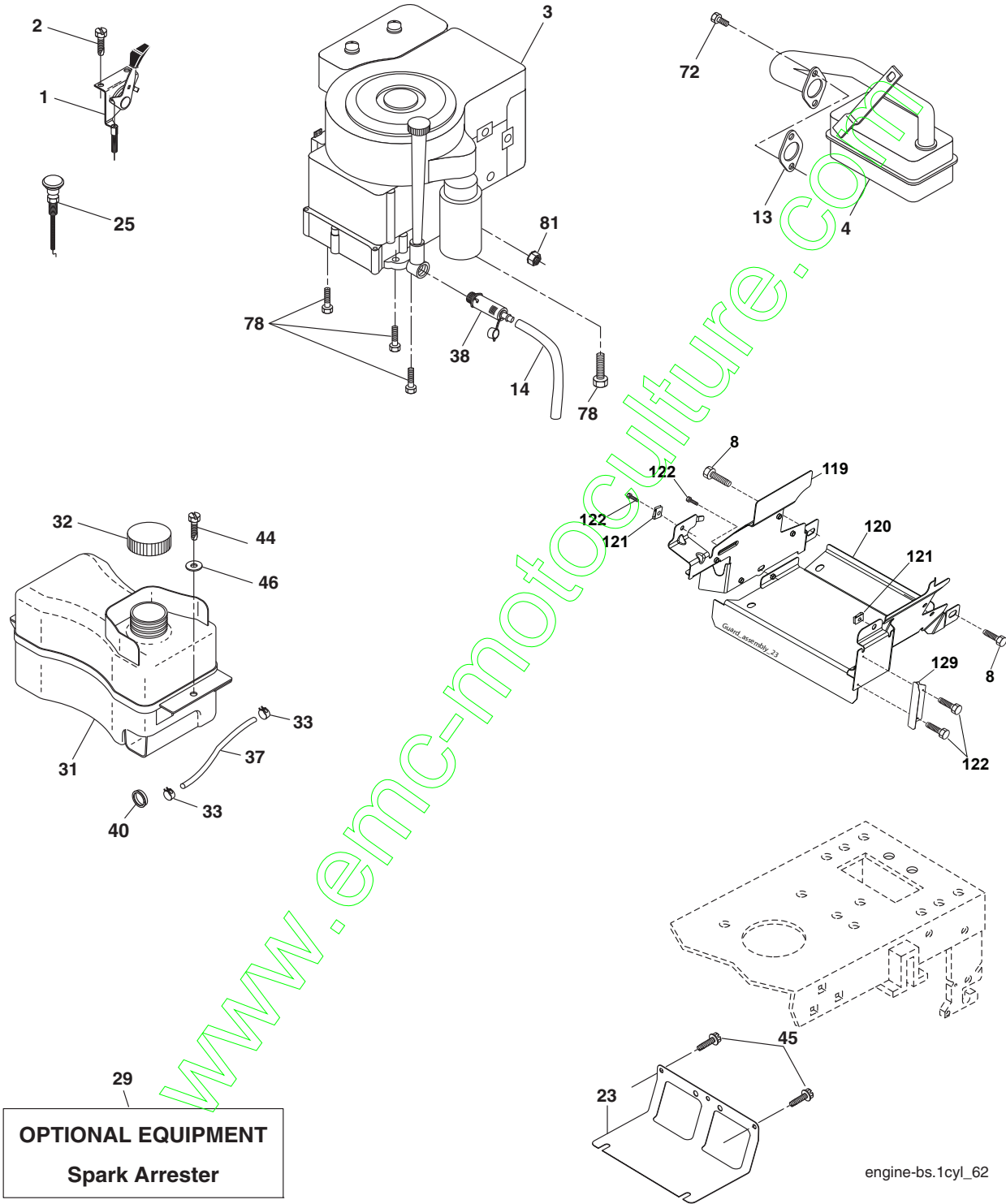


**TRACTOR - - MODEL NO. UN145B97 (96011024802), PRODUCT NO. 960 11 02-48
STEERING ASSEMBLY 41**

KEY NO.	PART NO.	DESCRIPTION
1	532 18 67-80	Wheel Steering
2	532 19 56-73	Axle Asm
3	532 16 98-40	Spindle Asm LH
4	532 16 98-39	Spindle Asm RH
5	532 12 49-31	Bearing Race Thrust Harden
6	532 12 17-48	Washer 25/32 x 1-5/8 x 16 Ga.
7	819 27 20-16	Washer 27/32 x 1-1/4 x 16 Ga.
8	812 00 00-29	Ring Clip #t5304-75
9	532 12 49-37	Bearing Col Strg Blk
10	532 17 51-21	Link Drag
11	810 04 06-00	Washer Lock Hvy Hlcl Spr 3/8
13	532 13 65-18	Spacer Bearing Axle Front
15	532 14 52-12	Hexflange Lock
17	532 19 07-53	Shaft Asm Strg
26	532 12 68-47	Bushing Link Drag Blk LR
28	819 13 14-16	Washer 13/32 x 7/8 x 16 Ga.
29	817 00 06-12	Screw 3/8-16 x 3/4
30	876 02 04-12	Pin Cotter 1/8 x 3/4 Cad
32	532 19 27-57	Rod Tie Wire Form 19 75 Mech
34	810 04 05-00	Washer Lock 5/16
36	532 15 50-99	Bushing Strg 5/8 Id Dash
37	532 15 29-27	Screw
38	532 19 29-16	Cap Wheel Steer
39	819 11 38-12	Washer 11/32 ID x 2 3/8 OD x 12 Ga.
40	873 54 06-00	Nut Crownlock 3/8-24
41	532 18 67-37	Adaptor Wheel Strg
42	532 16 96-33	Boot Steering
43	532 12 17-49	Washer 25/32 x 1 1/4 x 16 Ga.
44	532 19 07-52	Extension Steering
46	532 12 12-32	Cap Spindle Fr Top Blk
65	532 16 03-67	Spacer Brace Axle
67	872 11 06-18	Bolt RdHd Sqnk 3/8-16 x 2-1/4
68	532 16 98-27	Brace Axle
71	532 17 51-46	Steering Asm
82	532 19 99-78	Bracket Susp Chassis Front
88	532 17 51-18	Bolt Shoulder 7/16-20
91	532 17 55-53	Clip Steering
95	532 18 89-67	Washer Hardened
97	874 78 05-64	Bolt 5/16-18 unc x 4" L Gr. 5

NOTE: All component dimensions given in U.S. inches
1 inch = 25.4 mm.

**TRACTOR - - MODEL NO. UN145B97 (96011024802), PRODUCT NO. 960 11 02-48
ENGINE 24**



OPTIONAL EQUIPMENT
Spark Arrester

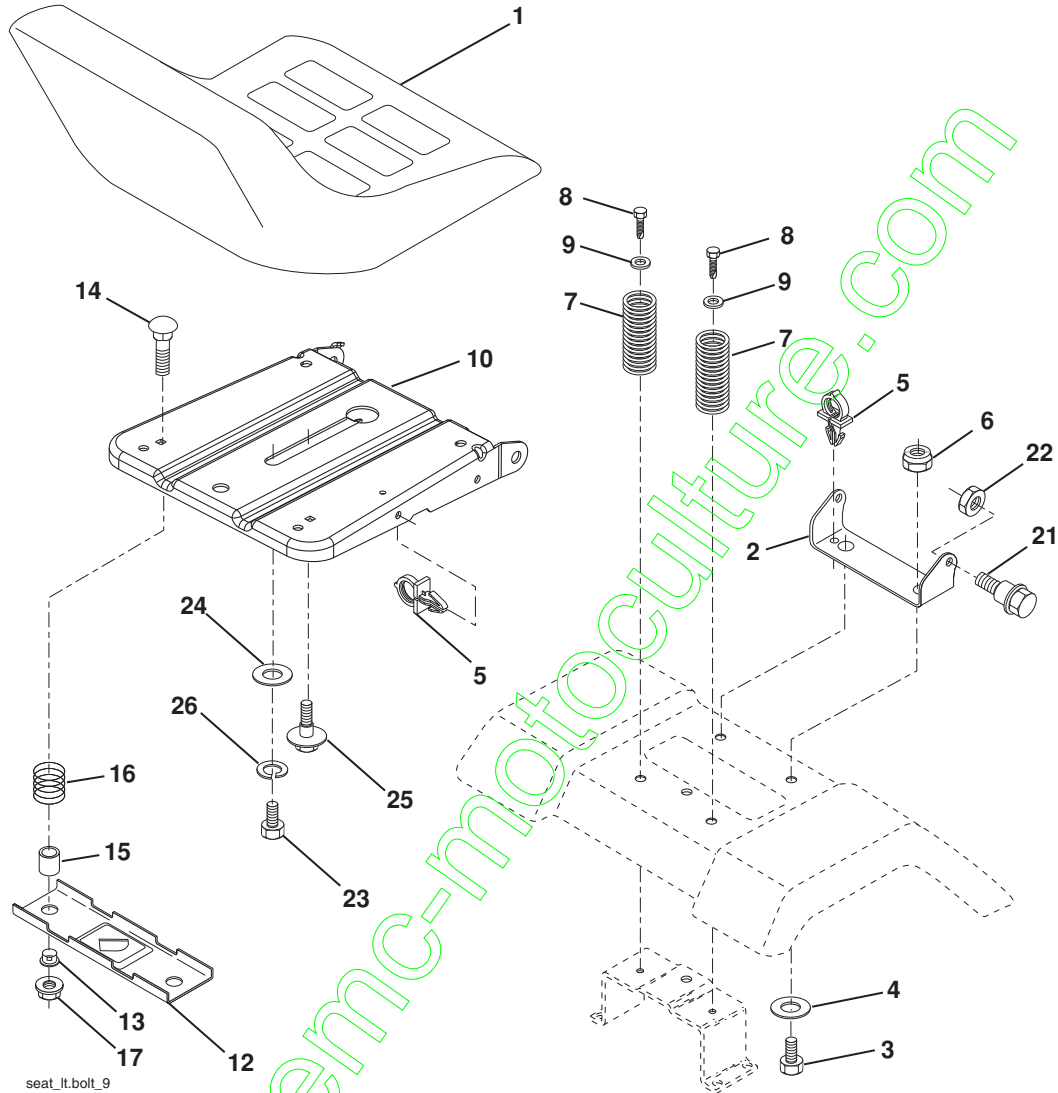
engine-bs.1cyl_62

**TRACTOR - - MODEL NO. UN145B97 (96011024802), PRODUCT NO. 960 11 02-48
ENGINE 24**

KEY NO.	PART NO.	DESCRIPTION
1	532 17 05-51	Control Throttle/Choke
2	817 72 04-08	Screw Hex Thd Cut 1/4-20 x 5/8 T
3	-----	Engine B&S Model 31A507
4	532 13 73-52	Muffler Exhaust
8	532 17 18-77	Bolt
13	532 16 52-91	Gasket (Order Parts from Engine Manufacturer)
14	532 14 84-56	Tube Drain Oil Easy
23	532 16 98-37	Shield Browning/Debris Guard
25	532 19 06-95	Control Choke
29	532 13 71-80	Arrester Spark
31	532 40 75-16	Tank Fuel
32	532 19 77-25	Cap Asm Fuel Top
33	532 12 34-87	Clamp Hose Blk
37	532 13 70-40	Line Fuel 20"
38	532 18 16-54	Plug Drain Oil Easy
40	532 12 40-28	Bushing Snap
44	817 67 04-12	Screw Hexwsh Thdrol 3/8-16 x 3/4
45	817 00 06-12	Screw 3/8-16 x 3/4
46	819 09 14-16	Washer 9/32 x 7/8 x 16 Ga.
72	532 19 23-34	Screw Socket Hd 5-16-18 x .75
78	817 06 06-20	Screw 3/8-16 x 1-1/4
81	873 51 04-00	Nut Keps Hex 1/4-20 unc
119	532 19 79-49	Guard Pulley Eng. LH
120	532 41 05-43	Guard Pulley Eng. RH
121	532 19 66-88	Clip Threaded
122	532 13 77-29	Screw
129	532 40 03-28	Guard Pulley Eng. Adapter

NOTE: All component dimensions given in U.S. inches
1 inch = 25.4 mm

TRACTOR - - MODEL NO. UN145B97 (96011024802), PRODUCT NO. 960 11 02-48
SEAT ASSEMBLY 42

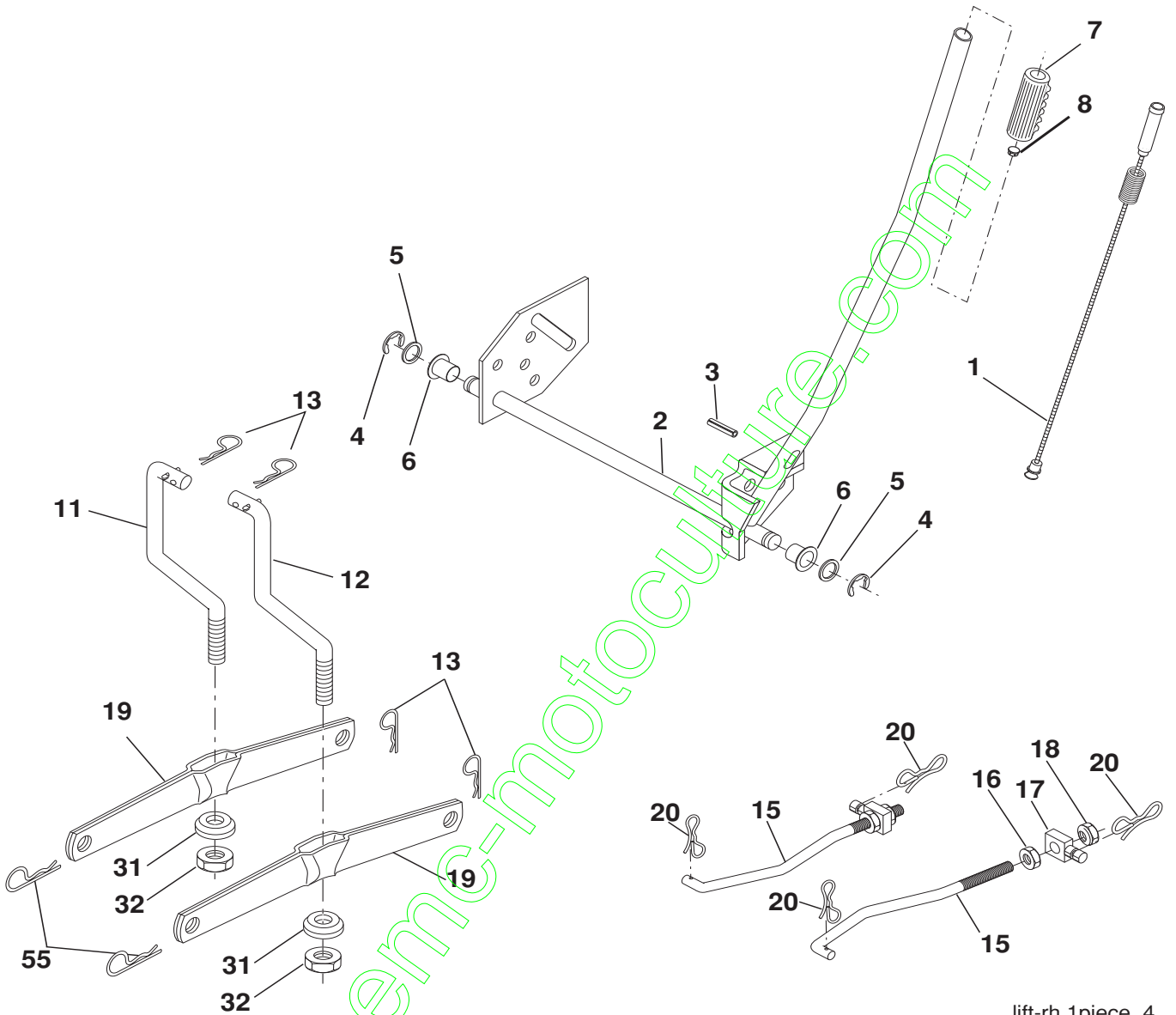


KEY NO.	PART NO.	DESCRIPTION
1	532 40 10-42	Seat
2	532 14 05-51	Bracket Seat Pivot
3	871 11 06-16	Bolt Hex 3/8-16 x 1
4	819 13 16-10	Washer 13/32 x 1 x 10 Ga.
5	532 14 50-06	Clip Push-In Hinged
6	873 80 06-00	Nut Lock Hex w/Ins 3/8-16
7	532 12 41-81	Spring Seat Cprsn 2 250 Blk Zi
8	817 00 06-16	Screw 3/8-16 x 1.5
9	819 13 16-14	Washer 13/32 x 1 x 14 Ga.
10	532 19 55-30	Pan Pnt Seat (Blk)
12	532 17 46-48	Bracket Pnt Mounting Switch
13	532 12 12-48	Bushing Snap Blk Nyl
14	872 05 04-12	Bolt Rdhd Sht Nk 1/4-20 x 1-1/2

KEY NO.	PART NO.	DESCRIPTION
15	532 13 43-00	Spacer Split .28 x .96
16	532 12 12-50	Spring Cprsn
17	532 12 39-76	Nut Lock 1/4 Lge Flg
21	532 17 18-52	Bolt Shoulder 5/16-18 unc-2A
22	873 80 05-00	Nut Lock Hex w/Ins 5/16-18
23	871 11 08-14	Bolt Hex Black
24	819 17 19-12	Washer 17/32 x 1-3/16 x 12 Ga.
25	532 12 70-18	Bolt Shoulder 5/16-18 x .62
26	810 04 08-00	Washer Lock Hvy Hlcl Spr 1/2

NOTE: All component dimensions given in U.S. inches
 1 inch = 25.4 mm.

**TRACTOR - - MODEL NO. UN145B97 (96011024802), PRODUCT NO. 960 11 02-48
MOWER LIFT 45**



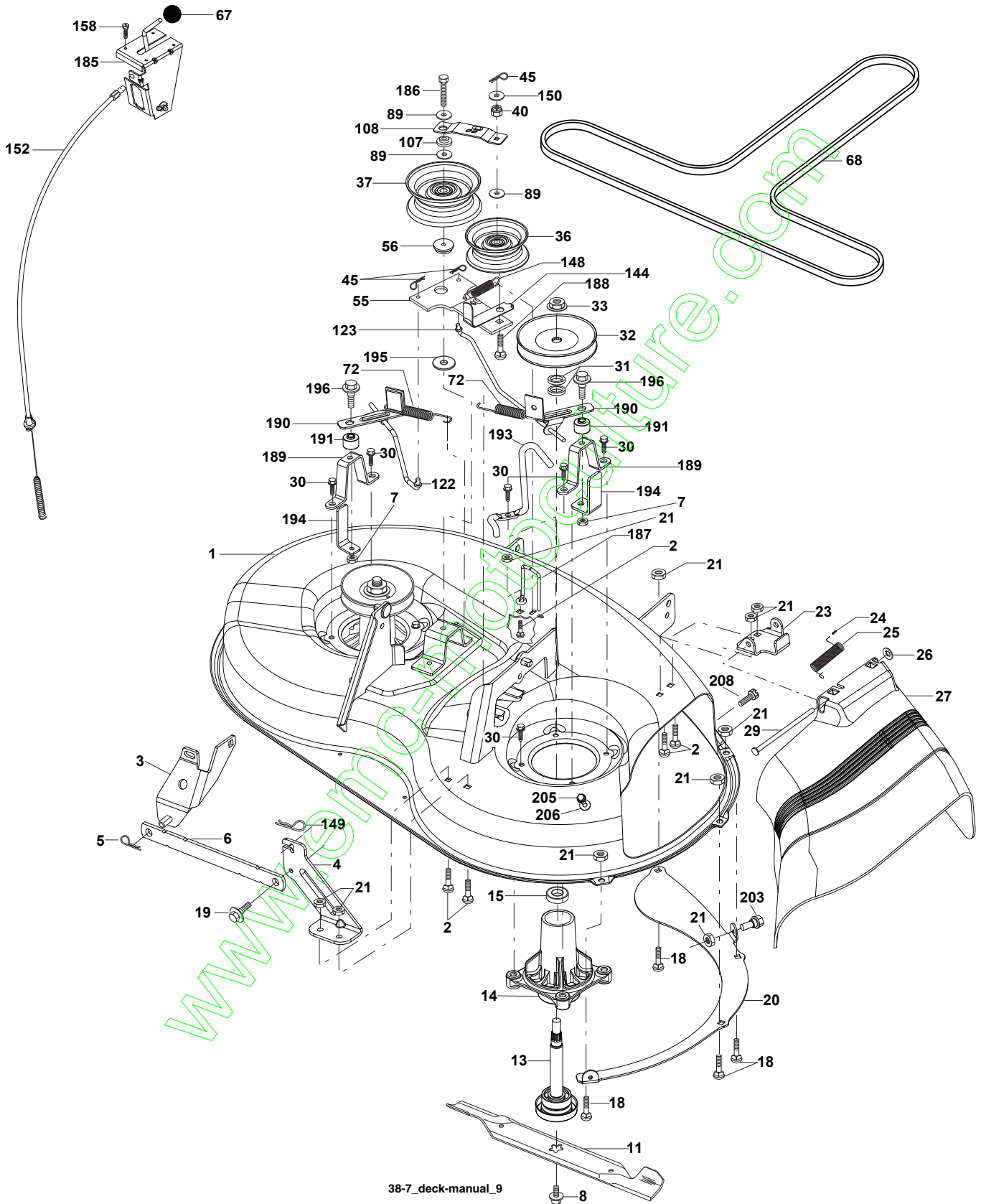
lift-rh.1piece_4

KEY NO.	PART NO.	DESCRIPTION
1	532 19 84-17	Wire Asm Inner/Sprg w/Plunger
2	532 19 80-70	Shaft Asm Lift RH
3	532 18 88-22	Pin Groove
4	812 00 00-02	E Ring #5133-62
5	819 21 16-21	Washer 21/32 x 1 x 21 Ga.
6	532 12 01-83	Bearing Nylon Blk 629 Id
7	532 10 94-13	Grip Handle Bicycle Matte Blk
8	532 12 45-26	Button Plunger Black
11	532 13 98-65	Link Lift LH Fixed Length
12	532 13 98-66	Link Lift RH Fixed Length
13	532 12 46-70	Retainer Spring
15	532 17 32-88	Link Front

KEY NO.	PART NO.	DESCRIPTION
16	873 35 08-00	Nut Jam Hex 1/2-13 unc
17	532 17 56-89	Trunion
18	873 80 08-00	Nut Lock w/Wsh 1/2-13 unc
19	532 13 98-68	Arm Suspension Rear
20	532 19 42-09	Retainer, Spring
31	532 16 98-65	Bearing Pvt Lift
32	873 54 06-00	Nut Crownlock 3/8-24
55	532 19 42-08	Pin Cotter Bow Tie Lock 5/16

NOTE: All component dimensions given in U.S. inches
1 inch = 25.4 mm.

TRACTOR - - MODEL NO. UN145B97 (96011024802), PRODUCT NO. 960 11 02-48
MOWER DECK 44



38-7_deck-manual_9

**TRACTOR - - MODEL NO. UN145B97 (96011024802), PRODUCT NO. 960 11 02-48
MOWER DECK 44**

KEY NO.	PART NO.	DESCRIPTION	KEY NO.	PART NO.	DESCRIPTION
1	532 19 25-56	Mower Housing Assembly	89	819 13 13-11	Washer 13/32 x 13/16 x 11 Ga.
2	872 14 05-06	Bolt Carriage 5/16-18 x 3/4	107	532 13 35-02	Spacer Retainer
3	532 13 80-17	Bracket Asm Fr. Sway Bar	108	532 13 35-03	Stiffener, Idler Arm
4	532 19 25-68	Bracket Deck Sway Bar 38"/42"	122	532 41 01-89	Link Brake LH
5	532 12 46-70	Retainer Spring	123	532 41 01-90	Link Brake RH
6	532 17 80-24	Bar Sway Deck	144	532 19 34-14	Keeper Belt Idler Tension
7	873 80 05-00	Nut Lock Hex w/Ins 5/16-18 unc	148	532 16 90-22	Spring Return Idler
8	532 19 30-03	Bolt 3/8-24 x 1.25 Gr. 8	149	532 16 58-98	Retainer Spring Yellow
11	532 19 39-57	Blade Mower	150	819 09 12-10	Washer 9/32 x 3/4 x 10 Ga.
13	532 19 28-72	Shaft Assembly, Mandrel, Vented	152	532 19 32-35	Clutch Cable 38"/46"
14	532 18 72-81	Housing, Mandrel, Vented	158	817 72 04-08	Screw Hex Thd Cut 1/4-20 x 1/2
15	532 11 04-85	Bearing, Ball, Mandrel	185	532 18 82-34	Head Asm Cable Clutch
18	872 14 05-05	Bolt Rdhd Sqnk 5/16-18 x 5/8	186	817 49 06-44	Screw Hex Wsh Thdrol 3/8-16 x 2-3/4
19	532 13 28-27	Bolt, Shoulder	187	532 19 34-12	Keeper Belt
20	532 40 00-95	Baffle Vortex Front	188	532 16 58-91	Bolt Carriage Idler
21	873 68 05-00	Nut	189	532 19 25-59	Stand, Brake
23	532 19 25-57	Bracket, Mower Deflector	190	532 19 25-60	Arm, Brake
24	532 10 53-04	Cap, Sleeve	191	532 19 25-61	Spacer, Brake
25	532 19 70-26	Spring, Torsion, Deflector	193	532 19 34-13	Keeper Belt RH Mandrel
26	532 11 04-52	Nut, Push	194	532 19 41-05	Guard Brake
27	532 40 16-18	Shield, Deflector	195	819 13 32-10	Washer
29	532 13 14-91	Rod, Hinge	196	532 19 37-82	Bolt/Washer Asm 5/16-18
30	532 17 39-84	Screw Thdrol.	205	817 49 04-16	Screw 1/4-20 x 1.00 77
31	532 18 76-90	Washer, Spacer	206	819 09 14-16	Washer 9/32 x 7/8 x 16 Ga.
32	532 15 35-32	Pulley, Mandrel	208	817 67 06-08	Screw 3/8-16 x 1/2
33	532 40 02-34	Nut, Toplock	209	532 40 92-56	Cover Mandrel LH
36	532 13 14-94	Pulley, Idler, Flat	210	532 40 92-57	Cover Mandrel RH
37	532 19 31-98	Pulley, Idler, Flat	--	532 19 28-70	Mandrel Assembly (Includes Housing, Shaft and Shaft Hardware Only - Pulley Not Included)
40	873 68 06-00	Nut, Crownlock 3/8-16 unc	--	532 19 36-46	Replacement Mower Complete
45	532 12 47-88	Retainer Spring	--	532 19 25-58	Brake Assembly
46	532 13 77-29	Screw			
55	532 13 38-40	Idler Arm Assembly			
56	532 16 57-23	Spacer, Retainer			
67	532 10 69-32	Knob			
68	532 19 32-14	V-Belt			
72	532 19 32-16	Spring Brake Return			

NOTE: All component dimensions given in U.S. inches
1 inch = 25.4 mm