

ILLUSTRATED PARTS LIST

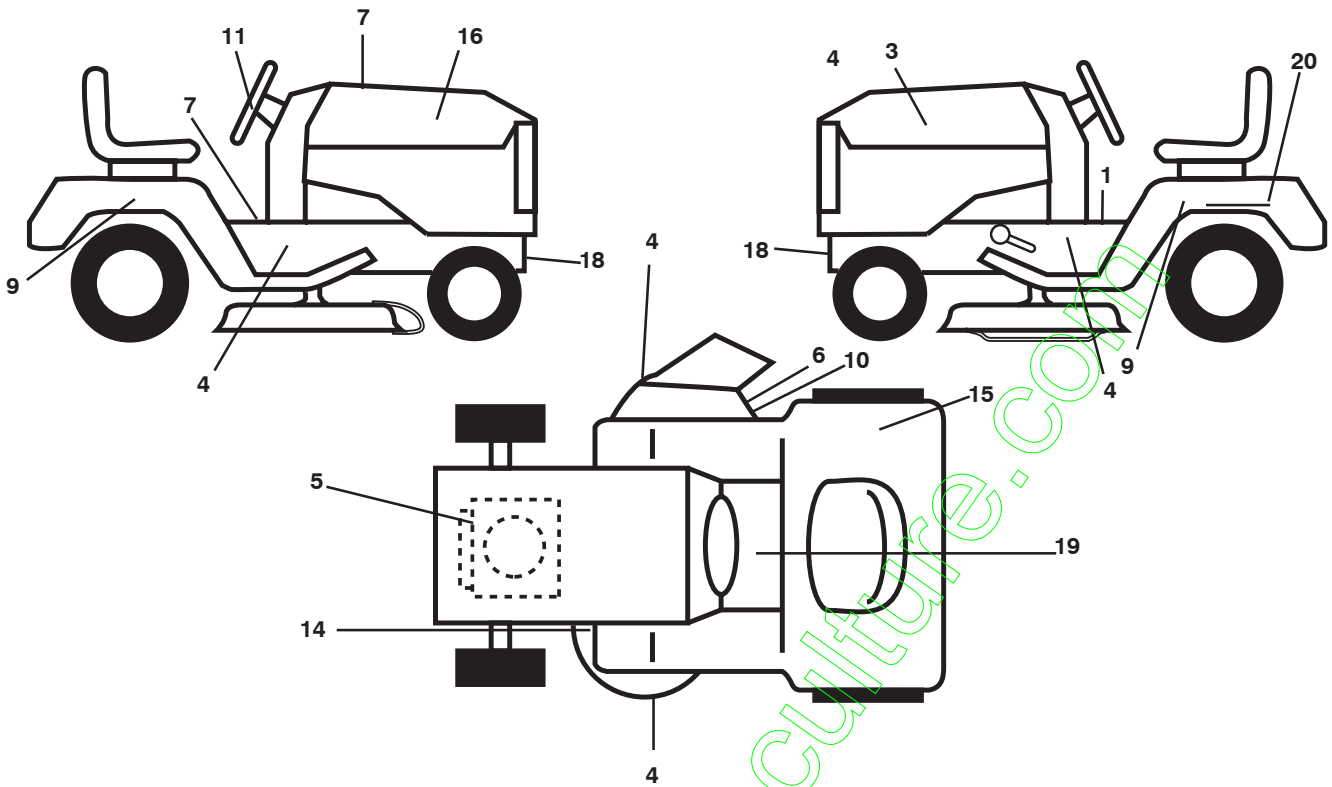
MFG ID NO. 96011016401

CUSTOMER CATALOG NO. UN1742SBHK

PRODUCT NO. 960 11 01-64

www.emc-motoculture.com

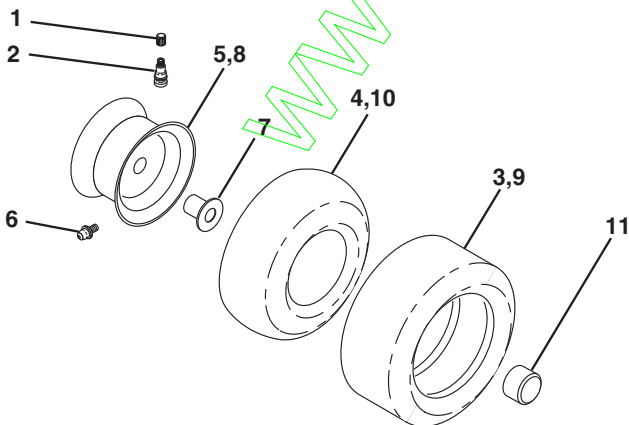
**TRACTOR - - MODEL NUMBER UN1742SBHK (96011016401), PRODUCT NO. 960 11 01-64
DECALS**



KEY NO.	PART NO.	DESCRIPTION
1	532 14 08-37	Decal, Saddle Parking Brake
2	532 40 88-19	Decal, Engine HP
3	532 19 44-85	Decal, Hood LH
4	532 19 68-42	Decal, Sym Cuttfinger
5	532 19 68-41	Decal, Warning Eng Sym.
6	532 18 21-66	Decal, Cuttfinger CE
7	532 40 03-89	Decal, Warning Sym CE
9	532 18 96-12	Decal, Fender
10	532 19 63-57	Decal, Deflector Cuttfinger Sym
11	532 18 96-11	Decal, Ins Strg Whl

KEY NO.	PART NO.	DESCRIPTION
14	532 16 03-96	Decal, V-Belt Schematic
15	532 18 04-32	Decal, DB/CE
16	532 19 44-84	Decal, Hood Rh
18	532 15 97-36	Decal, Hot Muffler
19	532 15 97-37	Decal, Brake/Clutch symb
20	532 14 50-05	Decal, Bat Dan/Psn
--	532 16 25-98	Decal, Load Limit
--	532 13 83-11	Decal, Handle Lft Height Adjust
--	532 16 69-60	Decal, Bypass
--	532 40 08-95	Manual Operator's (Euro)

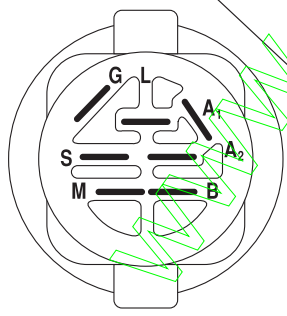
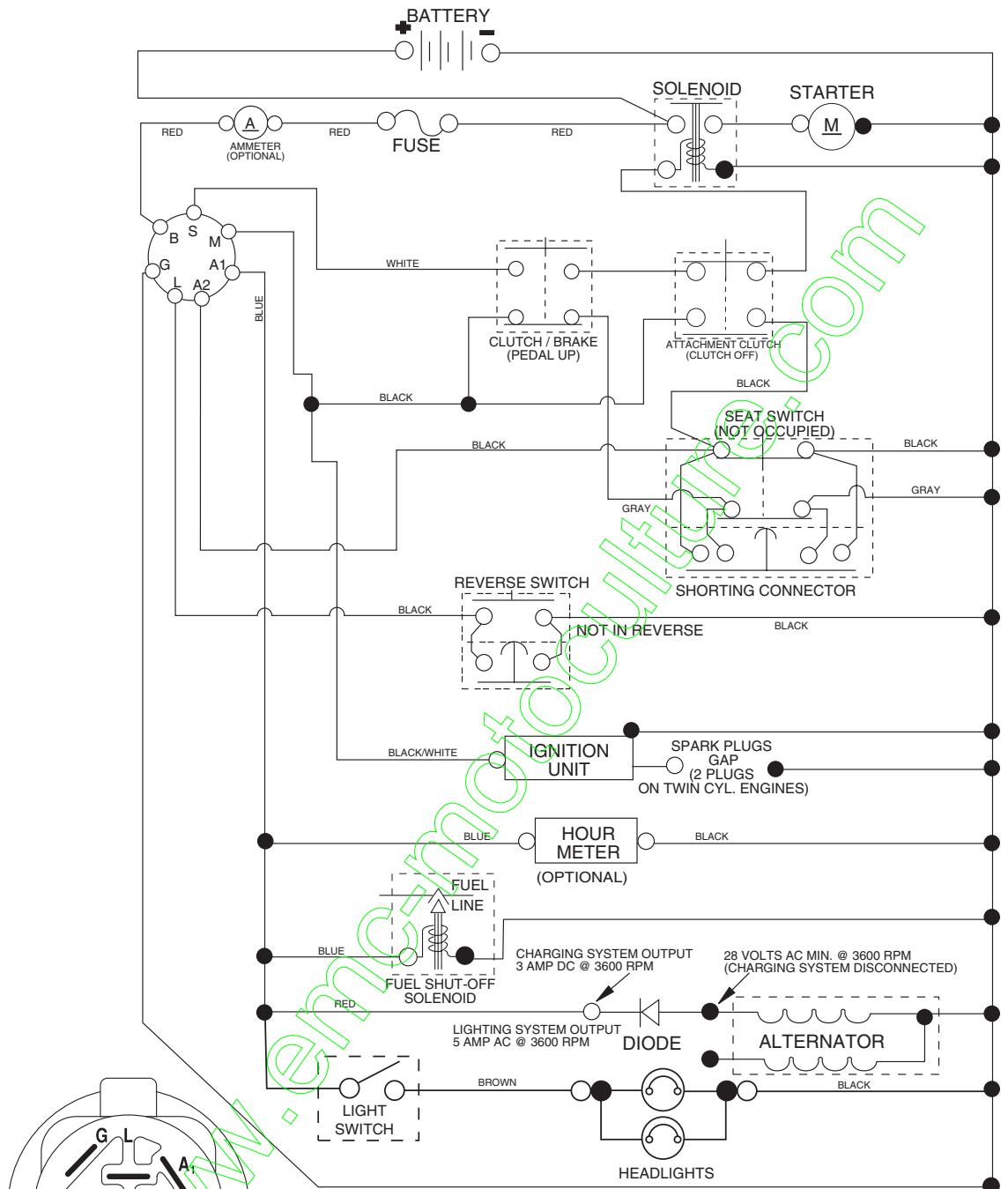
WHEELS AND TIRES



KEY NO.	PART NO.	DESCRIPTION
1	532 05 91-92	Cap Valve Tire
2	532 06 51-39	Stem Valve
3	532 10 62-22	Tire F T 15 x 6 0 - 6 Service
4	532 05 99-04	Tube Front (Service Item Only)
5	532 18 33-37	Rim Asm 6" front Service
6	532 12 49-57	Fitting Grease (Front Wheel Only)
7	532 12 49-59	Bearing Flange (Front Wheel nly)
8	532 18 33-38	Rim Asm 8" rear Service
9	532 12 46-35	Tire R T 18 x 8-8 Service
10	532 12 49-26	Tube Rear (Service Item Only)
11	532 17 50-39	Cap Axle Blk 1 50 x 1 00
--	532 14 43-34	Sealant, Tire (10 oz. Tube)

NOTE: All component dimensions given in U.S. inches
1 inch = 25.4 mm

**TRACTOR - - MODEL NUMBER UN1742SBHK (96011016401), PRODUCT NO. 960 11 01-64
SCHEMATIC**



IGNITION SWITCH

POSITION	CIRCUIT "MAKE"
OFF	M+G+A1
RUN/OVERRIDE	B+A1
RUN	B+A1 L+A2
START	B + S + A1

03059

NOTE

YOUR TRACTOR IS EQUIPPED WITH A SPECIAL ALTERNATOR SYSTEM. THE LIGHTS ARE NOT CONNECTED TO THE BATTERY, BUT HAVE THEIR OWN ELECTRICAL SOURCE. BECAUSE OF THIS, THE BRIGHTNESS OF THE LIGHTS WILL CHANGE WITH ENGINE SPEED. AT IDLE THE LIGHTS WILL DIM. AS THE ENGINE IS SPEEDED UP, THE LIGHTS WILL BECOME THEIR BRIGHTEST.

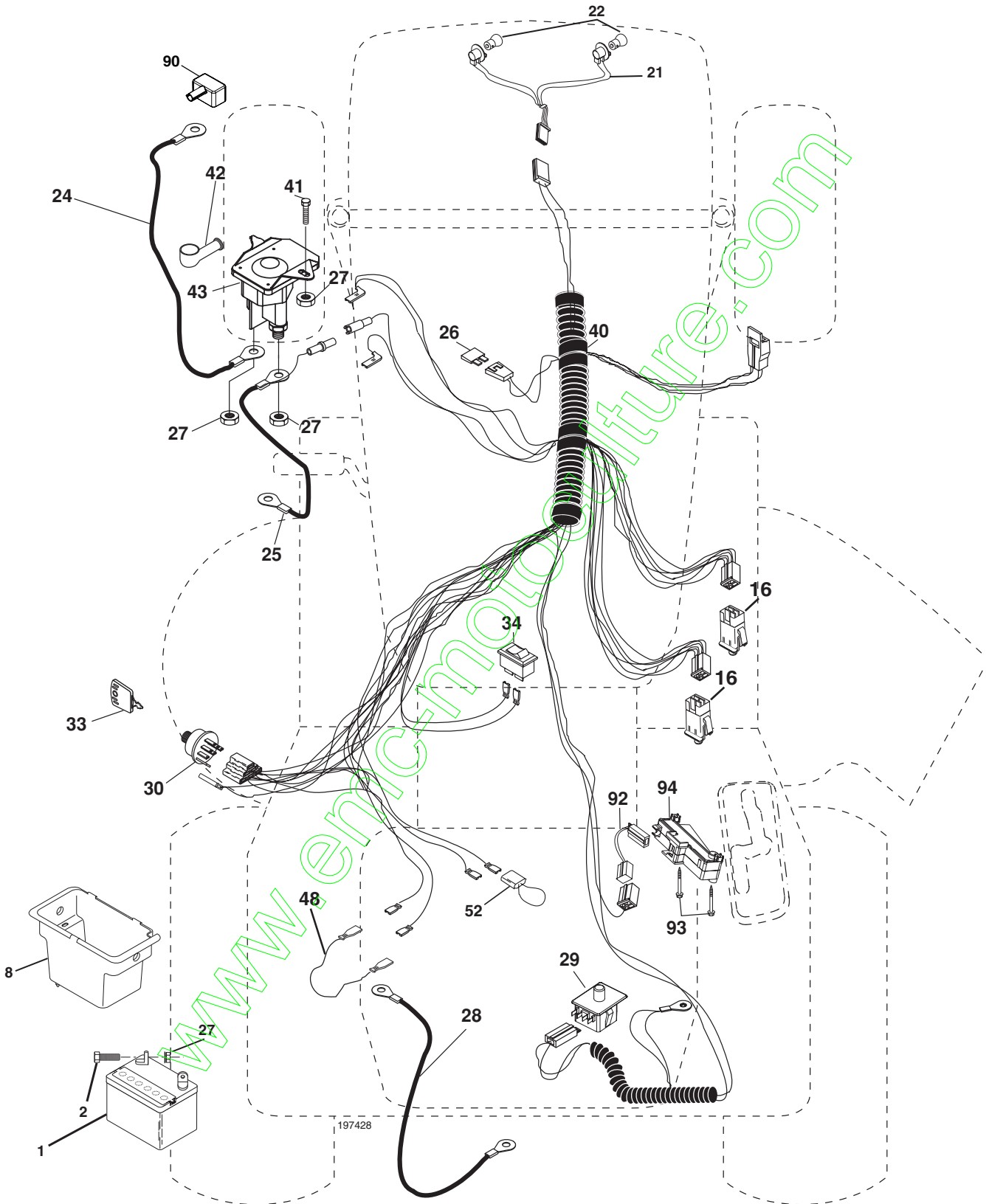
●
NON-REMOVABLE CONNECTIONS

○
REMOVABLE CONNECTIONS

WIRING INSULATED CLIPS

NOTE: IF WIRING INSULATED CLIPS WERE REMOVED FOR SERVICING OF UNIT, THEY SHOULD BE REPLACED TO PROPERLY SECURE YOUR WIRING.

TRACTOR - - MODEL NUMBER UN1742SBHK (96011016401), PRODUCT NO. 960 11 01-64
ELECTRICAL

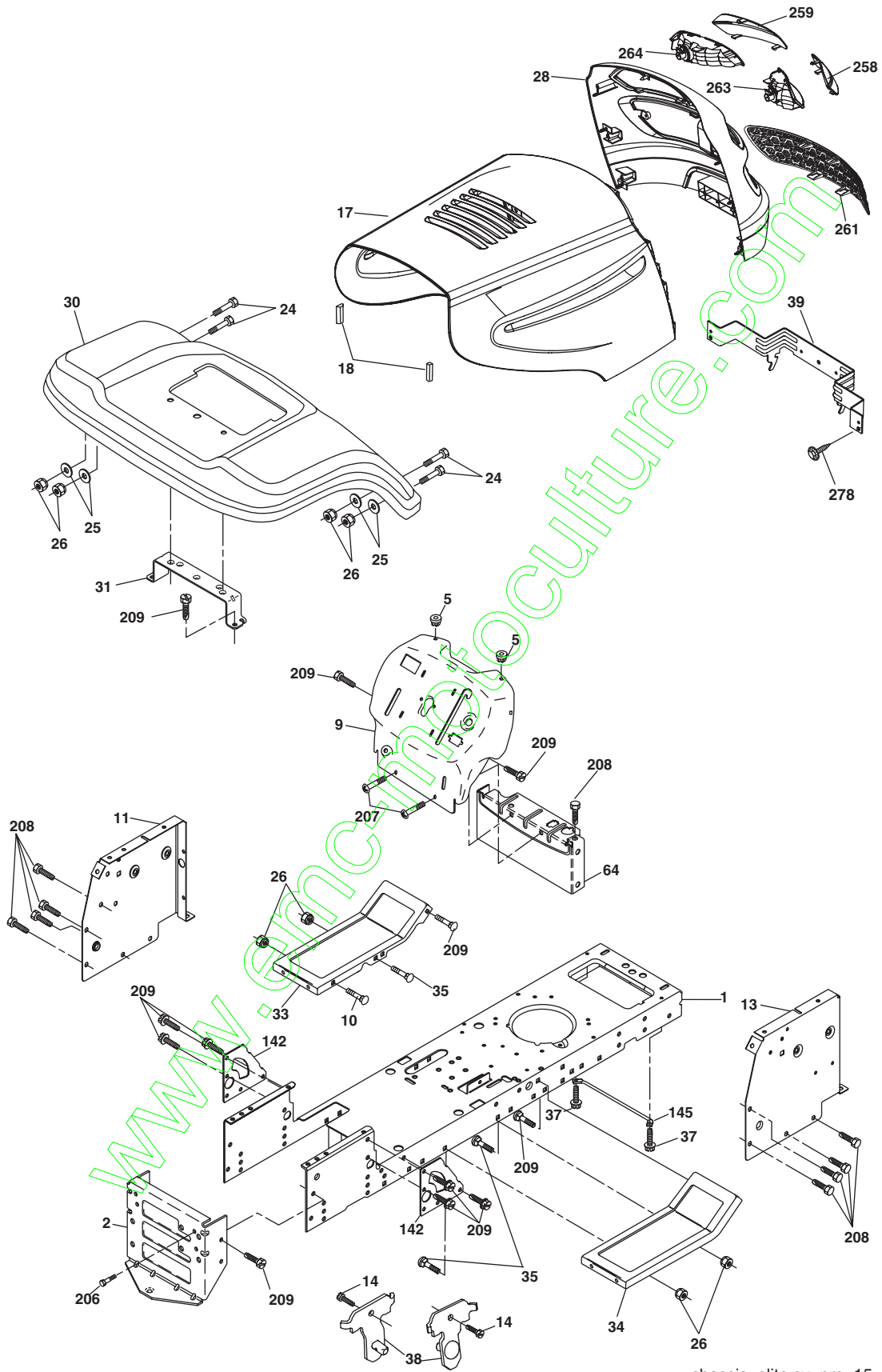


**TRACTOR - - MODEL NUMBER UN1742SBHK (96011016401), PRODUCT NO. 960 11 01-64
ELECTRICAL**

KEY NO.	PART NO.	DESCRIPTION
1	532 16 34-65	Battery
2	874 76 04-12	Bolt Hex Hd 1/4-20 unc x 3/4
8	532 17 66-89	Box Battery
16	532 17 61-38	Switch Interlock
21	532 18 37-59	Harness Socket Light
22	532 00 41-52	Bulb, Light # 1156
24	532 12 47-80	Cable Battery
25	532 14 61-47	Cable Battery 6 Ga. Red w/16 wire 44"
26	532 17 51-58	Fuse
27	873 51 04-00	Nut Keps Hex 1/4-20 unc
28	532 12 47-73	Cable Ground 12" Blk 6 Ga.
29	532 19 27-49	Switch Seat
30	532 19 33-50	Switch Ign
33	532 14 04-01	Key Ign Molded Generic
34	532 11 07-12	Switch Light/Reset
40	532 19 74-28	Harness Ign
41	871 11 04-08	Bolt Fin Hex 1/4-20 unc x 1/2
42	532 13 15-63	Cover Terminal Red
43	532 19 25-07	Solenoid
48	532 14 08-44	Adapter Ammeter
52	532 14 19-40	Protection Wire Loop
90	532 18 04-49	Cover Terminal
92	532 19 66-15	Harness Pigtail
93	532 19 25-40	Screw Plastite 10-14 x 2.0
94	532 19 18-34	Module Reverse ROS

NOTE: All component dimensions given in U.S. inches
1 inch = 25.4 mm

TRACTOR - - MODEL NUMBER UN1742SBHK (96011016401), PRODUCT NO. 960 11 01-64
CHASSIS

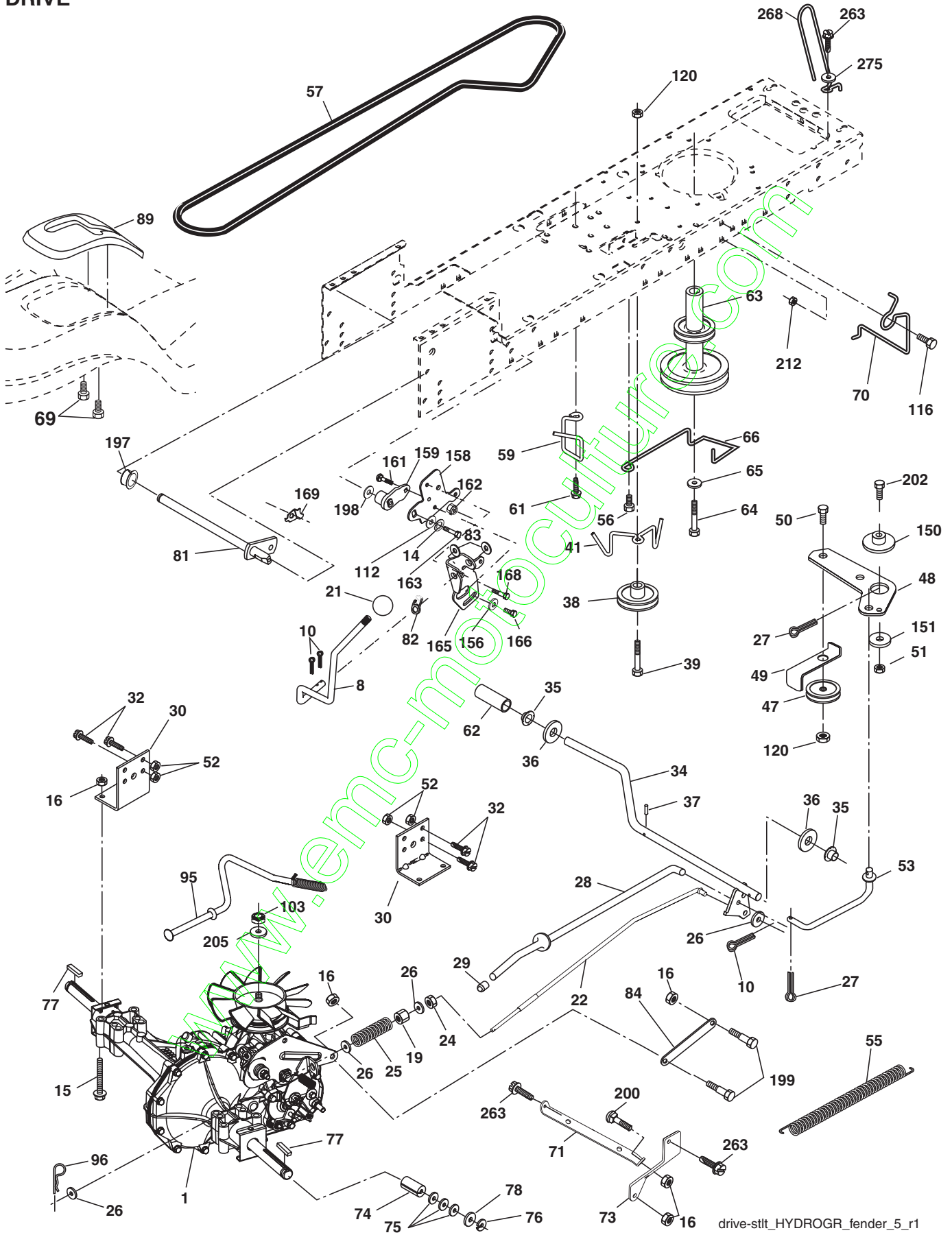


**TRACTOR - - MODEL NUMBER UN1742SBHK (96011016401), PRODUCT NO. 960 11 01-64
CHASSIS**

KEY NO.	PART NO.	DESCRIPTION
1	532 17 46-19	Chassis
2	532 17 65-54	Drawbar
5	532 15 52-72	Bumper Hood/Dash
9	532 19 48-22	Dash P/L
10	872 14 06-08	Bolt Carriage 3/8-16 x 1
11	532 17 49-96	Panel Dash Lh
13	532 18 69-52	Panel Dash Rh
14	817 49 06-08	Screw Thdrol 3/8-16 x 1/2
17	532 18 67-07	Hood
18	532 18 49-21	Bumper Hood
24	874 78 06-16	Bolt 3/8-16 unc x 1 Gr 5
25	819 13 13-12	Washer 13/32 x 13/16 x 12 Ga.
26	873 80 06-00	Nut Lock Hex W/Ins 3/8-16 unc
28	532 40 16-05	Grille/Lens Asm (Includes Nos. 258, 259, 261, 263, 264)
30	532 19 57-70	Fender
31	532 13 66-19	Bracket Fender
33	532 18 11-93	Footrest LH
34	532 18 11-94	Footrest RH
35	872 11 06-06	Bolt 3/8-16 x 3/4
37	817 49 05-08	Screw Thdrol 6/16-18 x 1/2 TYT
38	532 17 57-10	Bracket Asm Pivot Mower Rear
39	532 17 47-14	Bracket Pivot
64	532 15 47-98	Dash Lower STLT
142	532 17 57-02	Plate Reinforcement STLT
145	532 15 65-24	Rod Pivot Chassis/Hood
206	532 17 01-65	Bolt Shoulder 5/16-18
207	817 67 05-08	Screw Thdrol 5/16-18 x 1/2
208	817 67 06-08	Screw Thdrol 3/8-16 x 1/2
209	817 00 06-12	Screw Hexwsh Thdr 3/8-16 x 3/4
258	532 18 97-55	Lens Grille Pro RH
259	532 18 97-54	Lens Grille Pro LH
261	532 18 97-53	Insert Grille
263	532 18 38-33	Bezel Grille RH
264	532 18 38-32	Bezel Grille LH
278	532 19 16-11	Screw 10 x 3/4 Single Lead Hex
-	532 00 54-79	Plug BTN BIK

NOTE: All component dimensions given in U.S. inches
1 inch = 25.4 mm

TRACTOR - - MODEL NUMBER UN1742SBHK (96011016401), PRODUCT NO. 960 11 01-64
DRIVE

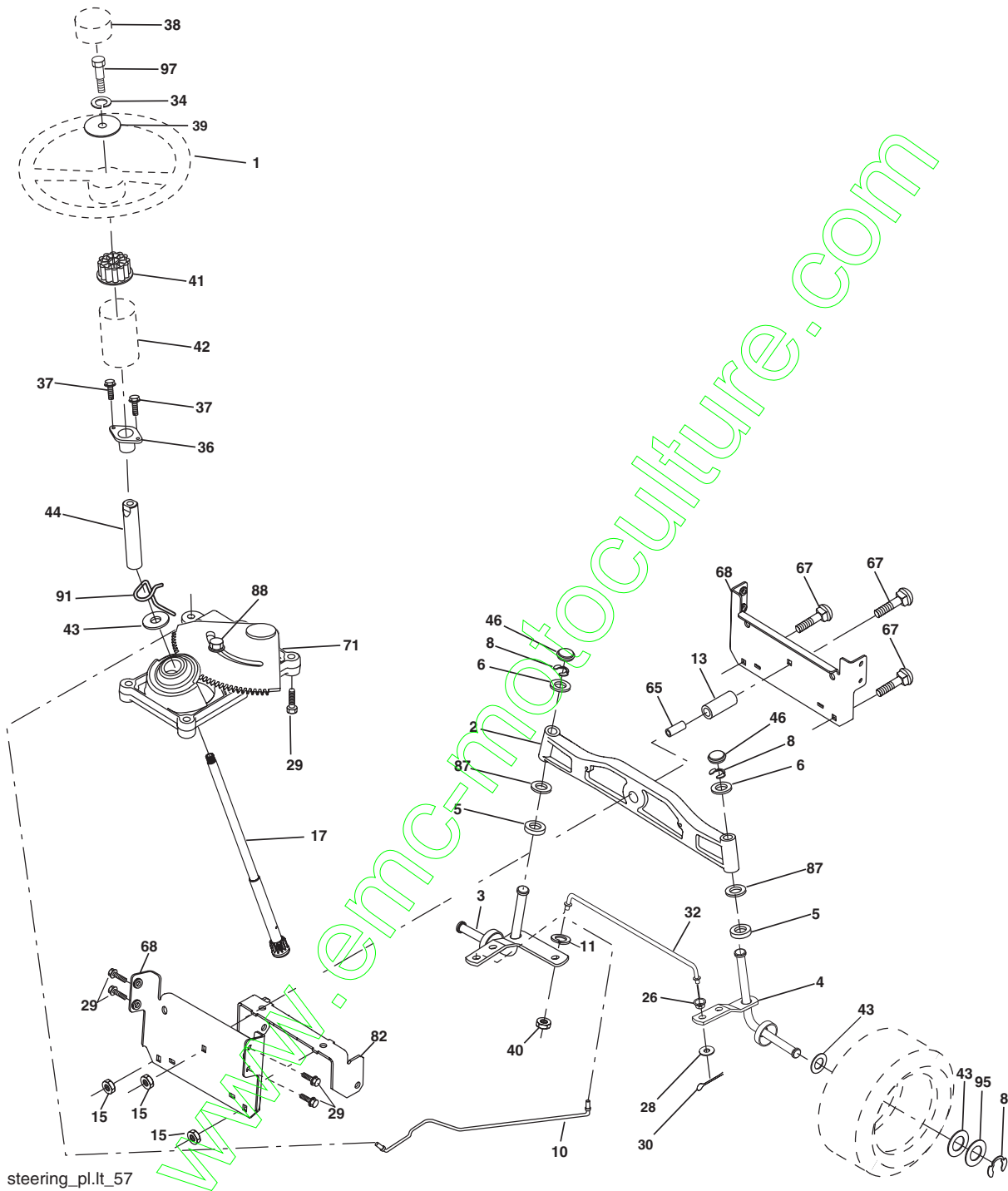


**TRACTOR - - MODEL NUMBER UN1742SBHK (96011016401), PRODUCT NO. 960 11 01-64
DRIVE**

KEY NO.	PART NO.	DESCRIPTION	KEY NO.	PART NO.	DESCRIPTION
1	-----	Transaxle Hydro Gear 322-0510 (Order Parts From Transaxle Manufacturer)	70	532 18 02-18	Guide Belt
8	532 19 27-06	Rod Shift	71	532 16 91-83	Strap Torque LH
10	876 02 04-16	Pin Cotter 1/8 x 1 CAD	73	532 16 91-82	Strap Torque RH
14	810 04 04-00	Washer Lock Hvy Helical	74	532 13 70-57	Spacer, Axle
15	874 49 05-44	Bolt, Hex FLGHD 5/16-18 Gr. 5	75	532 12 17-49	Washer 25/32 x 1-1/4 x 16 Ga.
16	873 80 05-00	Nut Lock Hex W/Ins 5/16-18 unc	76	812 00 00-01	E-Ring
19	873 80 06-00	Nut Lock Hex W/Wsh 3/8-16 unc	77	532 12 35-83	Key, Square
21	532 10 69-33	Knob, Round 1/2-13	78	532 12 17-48	Washer 25/32 x 1-5/8 x 16 Ga.
22	532 16 94-98	Rod, Brake Hydro	81	532 16 55-96	Shaft Asm. Cross Hydro
24	873 35 06-00	Nut	82	532 16 57-11	Spring Torsion T/A
25	532 10 68-88	Spring, Brake Rod	83	819 17 12-16	Washer 17/32 x 3/4 x 16 Ga.
26	819 13 13-16	Washer	84	532 16 98-43	Link Trans.
27	876 02 04-12	Pin Cotter 1/8 x 3/4 CAD.	89	532 19 49-72	Console, Shift
28	532 17 57-65	Rod, Parking Brake	95	532 17 02-01	Disconnect Asm. Rod Bypass
29	532 07 16-73	Cap, Parking Brake	96	532 12 47-88	Retainer Spring 1" Zinc/Cad
30	532 17 49-73	Bracket, Transaxle	103	873 94 08-00	Nut 1/2-20 unf
32	874 76 05-12	Bolt Hex Hd 5/16-18 unc x 3/4	112	819 09 12-10	Washer 9/32 x 3/4 x 10 Ga.
34	532 17 55-78	Shaft, Foot Pedal	116	872 14 06-08	Bolt RDHD SQNK 3/8-16 unc x 1
35	532 12 01-83	Bearing, Nylon	120	873 90 06-00	Nut Lock Flg 3/8-16 unc
36	819 21 16-16	Washer	150	532 17 54-56	Spacer Retainer
37	532 12 49-63	Pin, Roll	151	819 13 32-10	Washer 13/32 x 2 x 10 Ga.
38	532 17 91-14	Pulley, Composite	156	532 16 60-02	Washer Srrted 5/16 ID x 1.125
39	872 11 06-22	Bolt Rdhd 3/8-16 unc x 2-3/4 Gr. 5	158	532 16 55-89	Bracket Shift Mount
41	532 17 55-56	Keeper, Belt Idler	159	532 18 39-00	Hub Shift
47	532 12 77-83	Pulley, Idler, V-Groove	161	872 14 04-06	Bolt Rdhd Sqnk 1/4-20 x 3/4 Gr. 5
48	532 15 44-07	Bellcrank Clutch Grnd Drv STL	162	873 68 04-00	Nut Crownlock 1/4-20 unc
49	532 12 32-05	Retainer, Belt	163	874 78 04-16	Bolt Hex Fin 1/4-20 unc x 1 Gr. 5
50	872 11 06-12	Bolt Carr Sh 3/8-16 x 1-1/2 Gr. 5	165	532 16 56-23	Bracket Pivot Lever
51	873 68 06-00	Nut Crownlock 3/8-16 unc	166	817 49 05-10	Screw 5/16-18 x 5/8
52	873 68 05-00	Nut Crownlock 5/16-18 unc	168	532 16 54-92	Bolt Shoulder 5/16-18 x .561
53	532 19 96-52	Link, Clutch	169	532 16 55-80	Plate Fastening Lt
55	532 10 57-09	Spring, Return, Clutch	197	532 16 96-13	Nyliner Snap-In 5/8" ID
56	817 06 06-20	Screw 3/8-16 x 1-1/4	198	532 16 95-93	Washer Nyl 7/8 ID x .105
57	532 14 02-94	V-Belt, Ground Drive	199	532 16 96-12	Bolt Shoulder
59	532 16 96-91	Keeper, Center Span	200	872 14 05-08	Bolt Carr. 5/16-18 x 1
61	817 12 06-14	Screw 3/8-16 x .875	202	872 11 06-14	Bolt Carr Sh 3/8-16 x 1-3/4 Gr. 5
62	532 12 47-82	Cover, Pedal	205	819 17 16-16	Washer 17/32 x 1 x 16 Ga.
63	532 18 02-19	Pulley, Engine	212	532 14 52-12	Nut Hex flange Lock
64	532 17 39-37	Bolt Hex 7/16-20 x 4 x Gr. 5-1.5 Thr	263	817 00 06-12	Screw Hex Wsh Thdr 3/8-16 x 3/4
65	810 04 07-00	Washer	268	532 18 24-02	Guard Muffler
66	532 15 47-78	Keeper Belt Engine	275	819 13 16-14	Washer 13/32 x 1 x 14 Ga.
69	532 14 24-32	Screw Hex Wsh Hi-Lo 1/4-1/2 unc			

NOTE: All component dimensions given in U.S. inches
1 inch = 25.4 mm

**TRACTOR - - MODEL NUMBER UN1742SBHK (96011016401), PRODUCT NO. 960 11 01-64
STEERING ASSEMBLY**

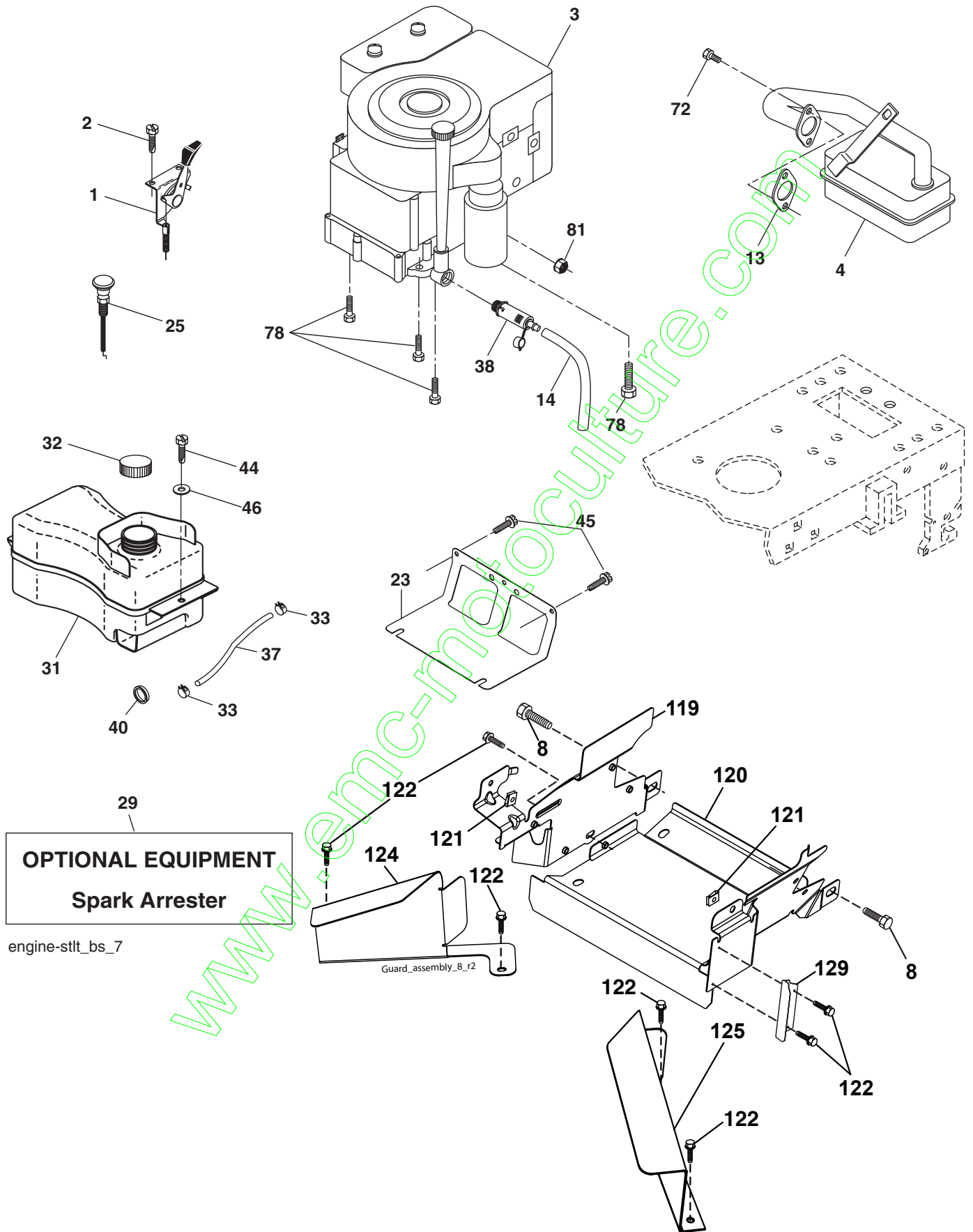


**TRACTOR - - MODEL NUMBER UN1742SBHK (96011016401), PRODUCT NO. 960 11 01-64
STEERING ASSEMBLY**

KEY NO.	PART NO.	DESCRIPTION
1	532 19 45-95	Wheel Steering
2	532 18 47-06	Axle Asm
3	532 16 98-40	Spindle Asm LH
4	532 16 98-39	Spindle Asm RH
5	532 12 49-31	Bearing Race Thrust Harden
6	532 12 17-48	Washer 25/32 x 1-5/8 x 16 Ga.
8	812 00 00-29	Ring Klip #t5304-75
10	532 17 51-21	Link Drag
11	810 04 06-00	Washer Lock Hvy Hlcl Spr 3/8
13	532 13 65-18	Spacer Brg Axle Front
15	532 14 52-12	Nut Hex Flange Lock
17	532 19 07-53	Shaft Asm Steering
26	532 12 68-47	Bushing Link Drag
28	819 13 14-16	Washer 13/32 x 7/8 x 16 Ga.
29	817 00 06-12	Screw 3/8-16 x .75
30	876 02 04-12	Pin Cotter 1/8 x 3/4
32	532 19 27-57	Rod Tie
34	810 04 05-00	Washer Lock Hvy Hlcl Spr 5/16
36	532 15 50-99	Bushing Strg
37	532 15 29-27	Screw
38	532 19 46-03	Insert Cap Strg Wh
39	819 11 38-12	Washer 11/32 ID x 2-3/8 OD 12 Ga.
40	873 54 06-00	Crownlock nut
41	532 18 67-37	Adaptor Wheel Strg
42	532 16 96-33	Boot Steering Dash
43	532 12 17-49	Washer 25/32 x 1 1/4 x 16 Ga.
44	532 19 07-52	Extension Steering Shaft
46	532 12 12-32	Cap Spindle Fr Top Blk
65	532 16 03-67	Spacer Brace Axle
67	872 11 06-18	Bolt RDHD SQNK 3/8-16 x 2 1/4
71	532 17 51-46	Steering Asm
68	532 16 98-27	Axle, Brace
82	532 19 99-78	Bracket Susp Chassis Front
87	532 17 39-66	Washer Flat .781 x 1 1/2 x .14
88	532 17 51-18	Bolt Shoulder 7/16-20 unc
91	532 17 55-53	Clip Steering
95	532 18 89-67	Washer Harden .739 x 1.637 x .060
97	874 78 05-64	Bolt 5/16-18 unc x 4" L Gr. 5

NOTE: All component dimensions given in U.S. inches
1 inch = 25.4 mm

TRACTOR - - MODEL NUMBER UN1742SBHK (96011016401), PRODUCT NO. 960 11 01-64
ENGINE



**TRACTOR - - MODEL NUMBER UN1742SBHK (96011016401), PRODUCT NO. 960 11 01-64
ENGINE**

KEY NO.	PART NO.	DESCRIPTION
1	532 17 05-51	Control, Throttle
2	817 72 04-08	Screw Hex Thd Cut 1/4-20 x 1/2
3	-----	Engine Briggs Model 31C707 (Order Parts from Engine Mfg.)
4	532 13 73-52	Muffler
8	532 17 18-77	Bolt
13	532 16 52-91	Muffler Gasket
14	532 14 84-56	Tube Oil Drain
23	532 16 98-37	Shield, Browning/Debris Guard
25	532 19 06-95	Control Choke
29	532 13 71-80	Arrester, Spark
31	532 40 75-16	Tank, Fuel
32	532 19 77-25	Cap, Fuel
33	532 12 34-87	Clamp, Hose Blk
37	532 13 70-40	Line, Fuel
38	532 18 16-54	Plug Drain Oil Easy
40	532 12 40-28	Bushing Snap
44	817 67 04-12	Screw Hex Wsh Thdrol 1/4-20 x 3/4
45	817 00 06-12	Screw Hex Wsh Thdrol 3/8-16 x 3/4
46	819 09 14-16	Washer 9/32 x 7/8 x 16 Ga.
62	810 01 05-00	Washer Split
72	532 19 23-34	Screw Socket Hd 5/16-18 x .75
78	817 06 06-20	Screw 3/8-16 x 1-1/4
81	873 51 04-00	Nut Keps Hex 1/4-20 unc
119	532 19 79-49	Guard Asm Engine LH CRD
120	532 19 79-48	Guard Asm Engine RH CRD
121	532 19 66-88	Clips Threaded
122	532 13 77-29	Screw THDROL 1/4 - 20 X 5/8
124	532 41 05-22	Shield Side LH
125	532 41 05-23	Shield Side RH
129	532 40 03-28	Guard Pulley Eng Adapter

NOTE: All component dimensions given in U.S. inches
1 inch = 25.4 mm

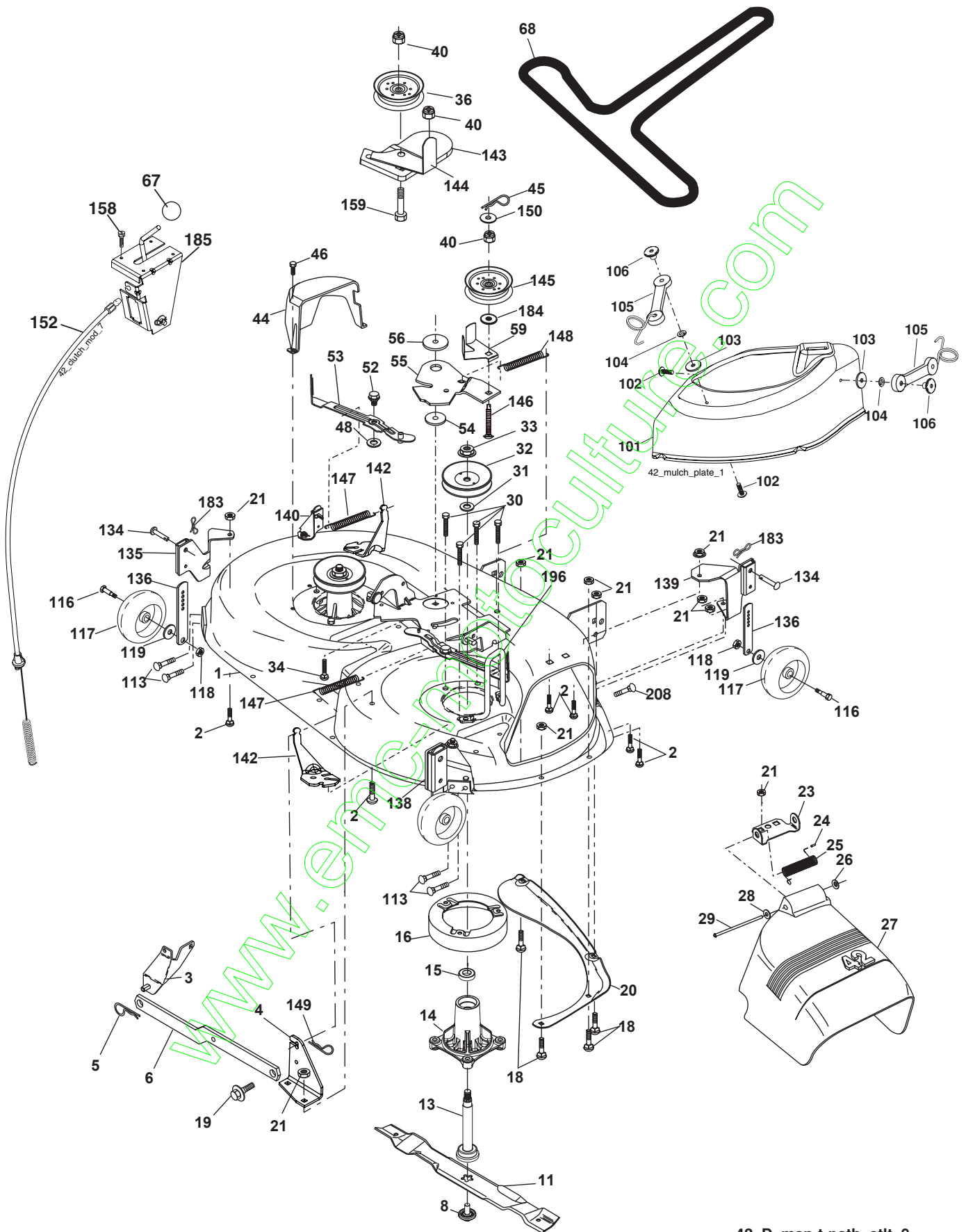
For engine service and replacement parts, call the toll free number for your engine manufacturer listed below:

Briggs & Stratton 1-800-233-3723

Engine Power Rating Information

The gross power rating for individual gas engine models is labeled in accordance with SAE (Society of Automotive Engineers) code J11940 (Small Engine Power & Torque Rating Procedure), and rating performance has been obtained and corrected in accordance with SAE J1995 (Revision 2002-5). Actual gross engine power will be lower and is affected by, among other things, ambient operating conditions and engine-to-engine variability. Given both the wide array of products on which engines are placed and the variety of environmental issues applicable to operating the equipment, the gas engine will not develop the rated gross power when used in a given piece of power equipment (actual "on-site" or net horsepower). This difference is due to a variety of factors including, but not limited to, accessories (air cleaner, exhaust, charging, cooling, carburetor, fuel pump, etc.), application limitations, ambient operating conditions (temperature, humidity, altitude), and engine-to-engine variability. Due to manufacturing and capacity limitations, Briggs & Stratton may substitute an engine of higher rated power for this Series engine.

TRACTOR - - MODEL NUMBER UN1742SBHK (96011016401), PRODUCT NO. 960 11 01-64
MOWER DECK



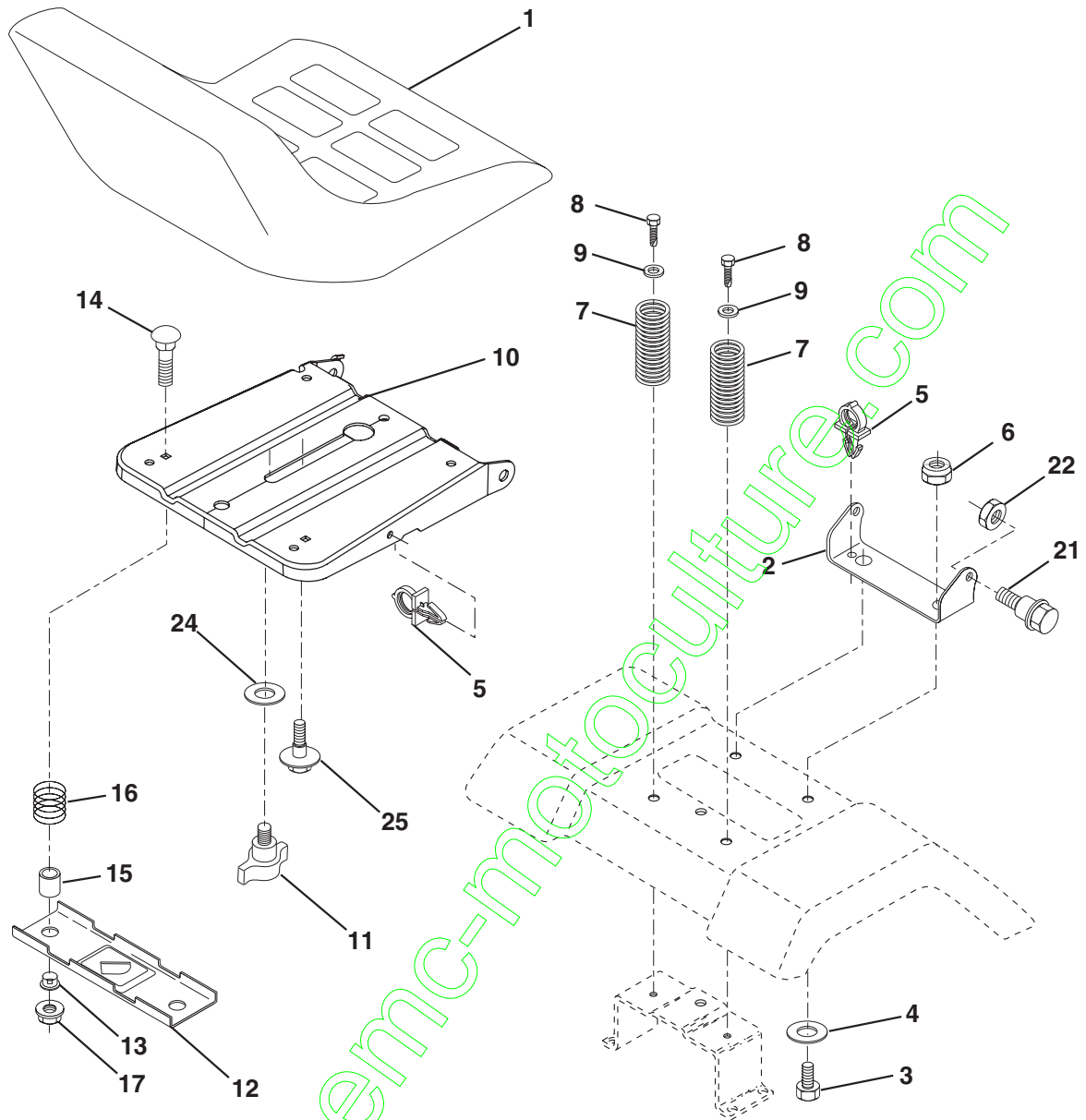
42_D_man-t-path_stlt_9

**TRACTOR - - MODEL NUMBER UN1742SBHK (96011016401), PRODUCT NO. 960 11 01-64
MOWER DECK**

KEY NO.	PART NO.	DESCRIPTION	KEY NO.	PART NO.	DESCRIPTION
1	532 18 20-32	Mower Deck Assembly, 42"	104	810 07 10-00	Washer Lock # 10
2	872 14 05-06	Bolt	105	532 16 07-93	Latch Asm
3	532 13 80-17	Bracket Asm Fr. Sway Bar 3/42	106	532 12 50-04	Nut Weld
4	532 16 54-60	Bracket Asm Deck 42" Sway Bar	111	532 17 92-92	Bracket Asm. Whl Ga. LH
5	532 12 46-70	Retainer Spring	112	532 17 92-93	Bracket Asm Whl Ga. RH
6	532 17 80-24	Bar Sway Deck	113	817 00 05-10	Screw 5/16-18
8	532 19 30-03	Bolt/Washer Asm. 7/16-20 unf	116	532 12 48-42	Bolt, Shoulder
9	810 03 06-00	Washer, Lock	117	532 18 86-06	Wheel, Gauge
10	532 14 02-96	Washer, Hardened	118	873 93 06-00	Nut Centerlock 3/8-16
11	532 13 41-49	Blade, Mulching 42" Std (for mulching mowers only)	119	819 12 14-14	Washer 3/8 x 7/8 x 14 Ga.
13	532 19 28-72	Shaft Assembly, Mandrel	129	819 13 13-12	Washer 13/32 x 13/16 x 12 Ga.
14	532 18 72-81	Housing, Mandrel	130	874 78 06-16	Bolt 3/8-16 x 1 Gr. 5
15	532 11 04-85	Bearing, Ball, Mandrel	131	872 14 06-08	Bolt 3/8-16 unc x 1
16	532 17 44-93	Stripper, Mandrel Deck	134	532 15 69-41	Pin Head Rivet
18	872 14 05-05	Bolt, Carriage 5/16-18 x 5/8	135	532 15 97-65	Bracket Asm. Wheel Guage LH Rear
19	532 13 28-27	Bolt, Shoulder	136	532 15 59-86	Bar Adjusting Guage Wheel
20	532 15 97-70	Baffle, Vortex	138	532 15 97-63	Bracket Asm. Wheel Guage RH Rear
21	873 68 05-00	Nut	139	532 15 97-67	Bracket Asm. Wheel Guage RH Front
23	532 17 75-63	Bracket, Deflector Mower 42"	140	532 15 97-68	Bracket Asm. Wheel Guage LH Front
24	532 10 53-04	Cap, Sleeve 80 x 112 Blk Mower	142	532 19 57-84	Arm Spring Brake Mower
25	532 12 37-13	Spring, Torsion, Deflector 2 52	143	532 15 71-09	Bracket Arm Idler 42"
26	532 11 04-52	Nut, Push Phos & Oil	144	532 15 86-34	Keeper Belt 42" Clutch Cable
27	532 40 14-31	Shield, Deflector	145	532 16 58-88	Pulley Idler Flat
28	819 11 10-16	Washer 11/32 x 5/8 x 16 Ga.	146	532 17 19-77	Bolt Carriage Idler
29	532 13 14-91	Rod, Hinge 42" 6 75 W/G	147	532 17 97-48	Spring Extension
30	532 17 39-84	Screw Thdrol	148	532 16 90-22	Spring Return Idler
31	532 18 76-90	Washer, Spacer Mower Vented	149	532 16 58-98	Retainer Spring Yellow
32	532 15 35-35	Pulley, Mandrel	150	819 09 12-10	Washer 9/32 x 3/4 x 10 Ga.
33	532 40 02-34	Nut, Toplock	152	532 18 15-55	Clutch Cable 42"
34	872 11 06-12	Bolt Carr SH 3/8-16 x 1-1/2 Gr. 5	158	817 72 04-08	Screw Hex Thd Cut 1/4-20 x 1/2
36	532 13 14-94	Pulley, Idler, Flat	159	872 14 06-14	Bolt Rdhd Sq 3/8-16 unc x 1-3/4
40	873 90 06-00	Nut Lock 3/8-16	183	532 19 42-08	Pin Cotter 5/16 Bow Tie Lock
44	532 14 00-88	Guard, Mandrel, LH	184	819 13 14-10	Washer 13/32 x 7/8 x 10 Ga.
45	532 12 47-88	Retainer	185	532 18 82-34	Head Asm Cable Clutch
46	532 13 77-29	Screw, Thdrol 1/4-20 x 5/8 T	196	532 40 11-19	Guard Mandrel RH
48	532 13 39-44	Washer, Hardened	208	817 67 06-08	Screw 3/8-16 x 1/2
52	532 13 98-88	Bolt, Shoulder 5/16-18 unc	--	532 19 28-70	Mandrel Assembly (Includes Housing Shaft and Shaft Hardware Only - Pulley Not Included)
53	532 18 49-07	Arm Assembly, Pad, Brake	--	532 40 28-54	Replacement Mower, Complete (Std. deck-Order seperately gauge wheel componants Key Nos. 116-119)
54	532 17 85-15	Washer, Hardened			
55	532 15 50-46	Arm, Idler			
56	532 16 57-23	Spacer, Retainer			
59	532 14 10-43	Guard TUV Idler			
67	532 10 69-32	Knob			
68	532 18 02-15	V-Belt, 42" Mower			
92	873 80 06-00	Nut 3/8-16			
101	532 19 31-07	Cover Mulching			
102	871 08 10-10	Screw Pan Hd Phillips 10-24 x 5/8			
103	819 06 12-16	Washer #10			

NOTE: All component dimensions given in U.S. inches
1 inch = 25.4 mm

**TRACTOR - - MODEL NUMBER UN1742SBHK (96011016401), PRODUCT NO. 960 11 01-64
SEAT ASSEMBLY**



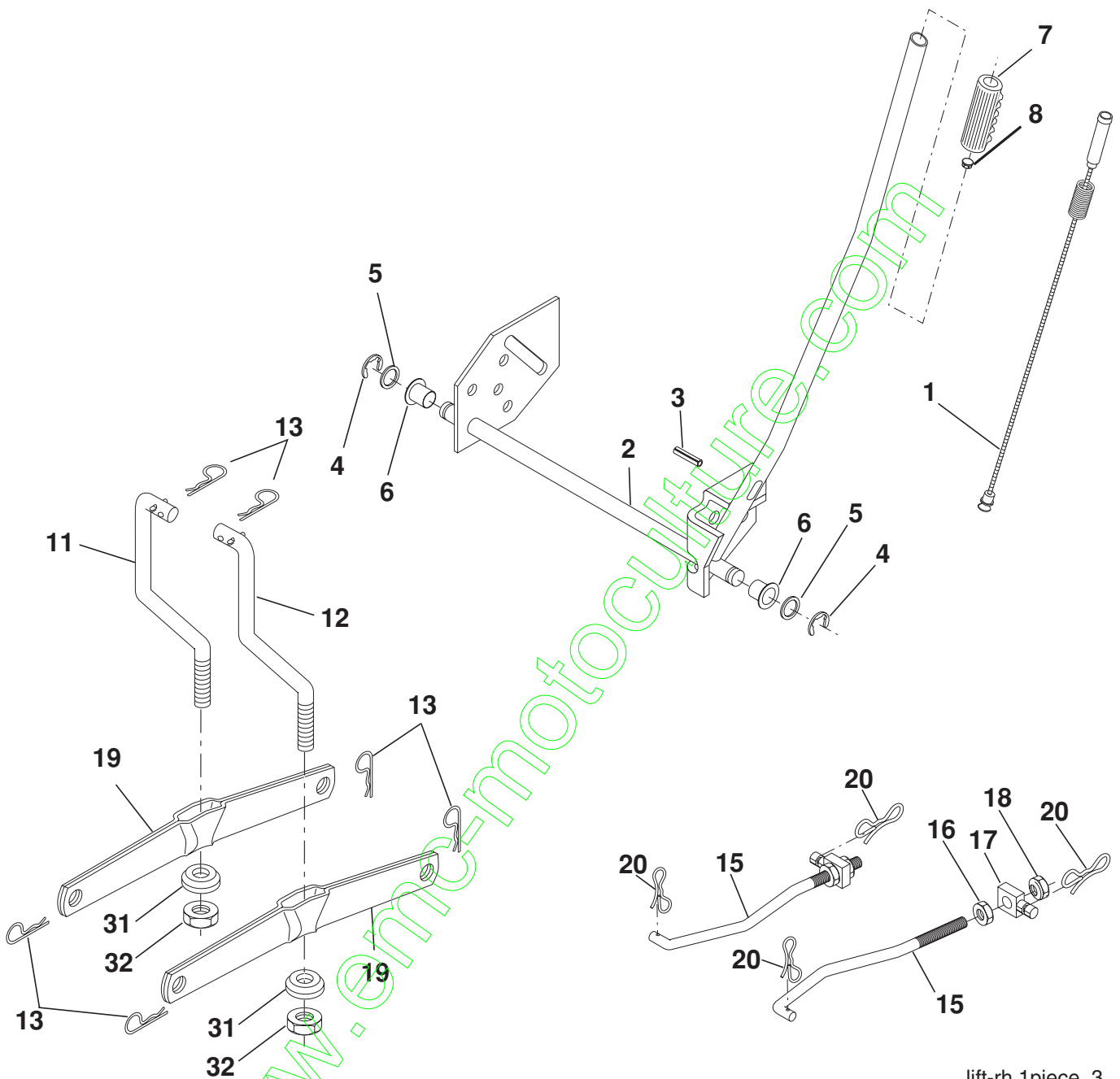
seat_lt.knob_13

KEY NO.	PART NO.	DESCRIPTION
1	532 40 10-43	Seat
2	532 14 05-51	Bracket Pivot Seat 8 720
3	871 11 06-16	Bolt 3/8-16 x 1
4	819 13 16-10	Washer 13/32 x 1 x 10 Ga.
5	532 14 50-06	Clip Push-In
6	873 80 06-00	Nut Hex w/Ins. 3/8-16 unc
7	532 12 41-81	Spring Seat Cprsn 2 250 Blk Zi
8	817 00 06-16	Screw 3/8-16 x 1.5 Smgml
9	819 13 16-14	Washer 13/32 x 1 x 14 Ga.
10	532 19 55-30	Pan Seat
11	532 16 63-69	Knob Seat
12	532 17 46-48	Bracket Mounting Switch

KEY NO.	PART NO.	DESCRIPTION
13	532 12 12-48	Bushing Snap Blk Nyl 50 Id
14	872 05 04-12	Bolt Rdhd Sqnk 1/4-20 x 1-1/2
15	532 12 12-49	Spacer Split
16	532 12 37-40	Spring Cprsn
17	532 12 39-76	Nut Lock 1/4 Lge Flg Gr. 5 Zinc
21	532 17 18-52	Bolt Shoulder 5/16-18 unc
22	873 80 05-00	Nut Hex Lock W/Ins 5/16-18
24	819 17 19-12	Washer 17/32 x 1-3/16 x 12 Ga.
25	532 12 70-18	Bolt Shoulder 5/16-18 x 62

NOTE: All component dimensions given in U.S. inches
1 inch = 25.4 mm

**TRACTOR - - MODEL NUMBER UN1742SBHK (96011016401), PRODUCT NO. 960 11 01-64
MOWER LIFT**



lift-rh.1piece_3

KEY NO.	PART NO.	DESCRIPTION
1	532 19 84-17	Wire Asm Inner/Sprg W/plunger
2	532 19 80-70	Shaft Asm Lift RH w/Inf
3	532 18 88-22	Pin Groove 5/16 Dia x 1.875
4	812 00 00-02	E Ring #5133-62
5	819 21 16-21	Washer 21/32 x 1 x 21 Ga.
6	532 12 01-83	Bearing Nylon Blk 629 Id
7	532 10 94-13	Grip Handle
8	532 12 45-26	Button Plunger
11	532 13 98-65	Link Lift LH Fixed Length
12	532 13 98-66	Link Lift RH Fixed Length
13	532 12 46-70	Retainer Spring

KEY NO.	PART NO.	DESCRIPTION
15	532 17 32-88	Link Front
16	873 35 08-00	Nut Jam Hex 1/2-13 unc
17	532 17 56-89	Trunnion
18	873 80 08-00	Nut Lock W/Wsh 1/2-13 unc
19	532 13 98-68	Arm Suspension Rear
20	532 19 42-09	Pin Cotter 7/16 Bow Tie Lock
31	532 16 98-65	Bearing Pvt Lift
32	873 54 06-00	Nut Crownlock 3/8 - 24

NOTE: All component dimensions given in U.S. inches
1 inch = 25.4 mm