

ST. S.P.A.

WHEELING B (2013)

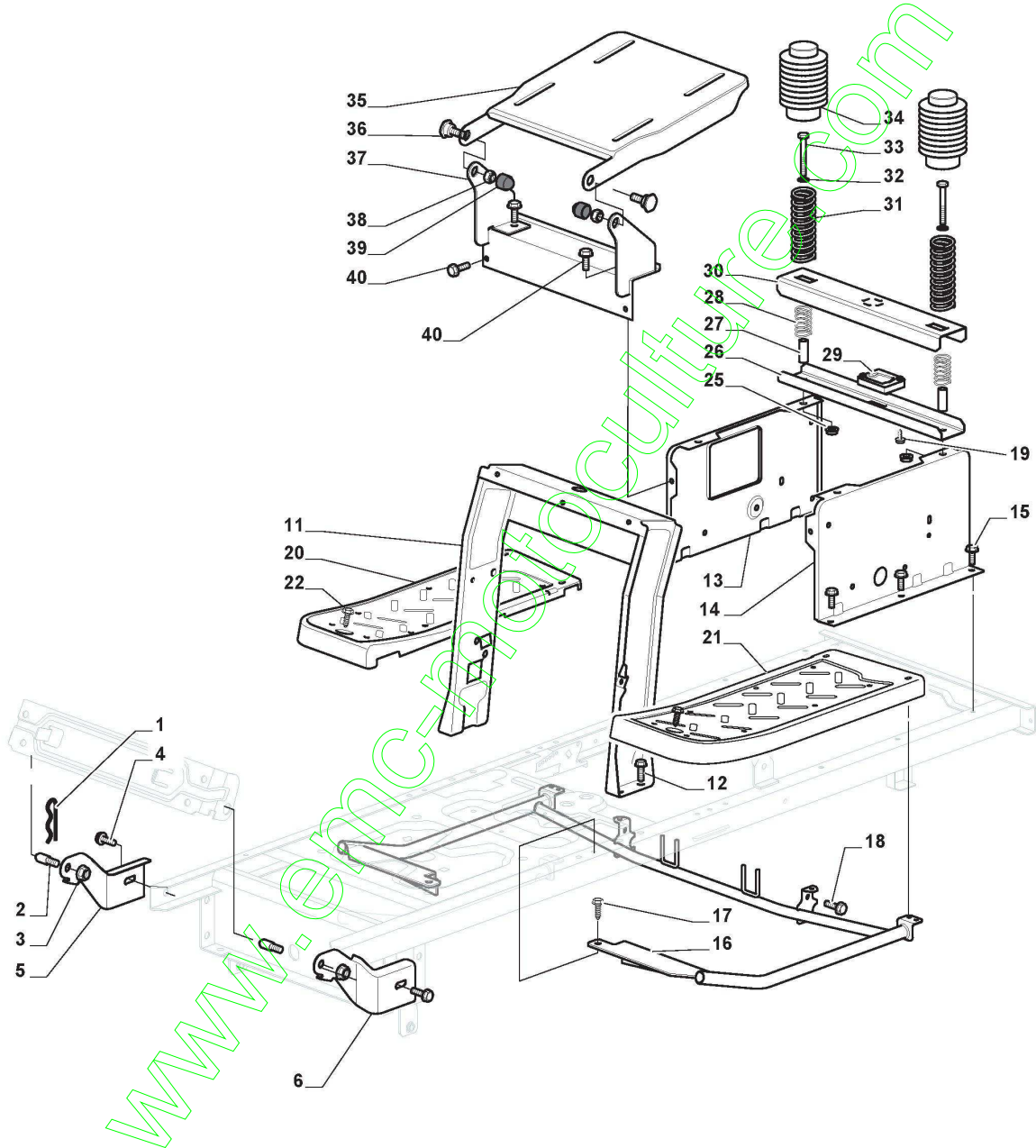
2T0630273/UVT

Spare parts list
Reservdelar
Repuestos
Ersatzteile
Pièces détachées
Reserve onderdelen
Catalogo ricambi

www.emc-motoculture.com

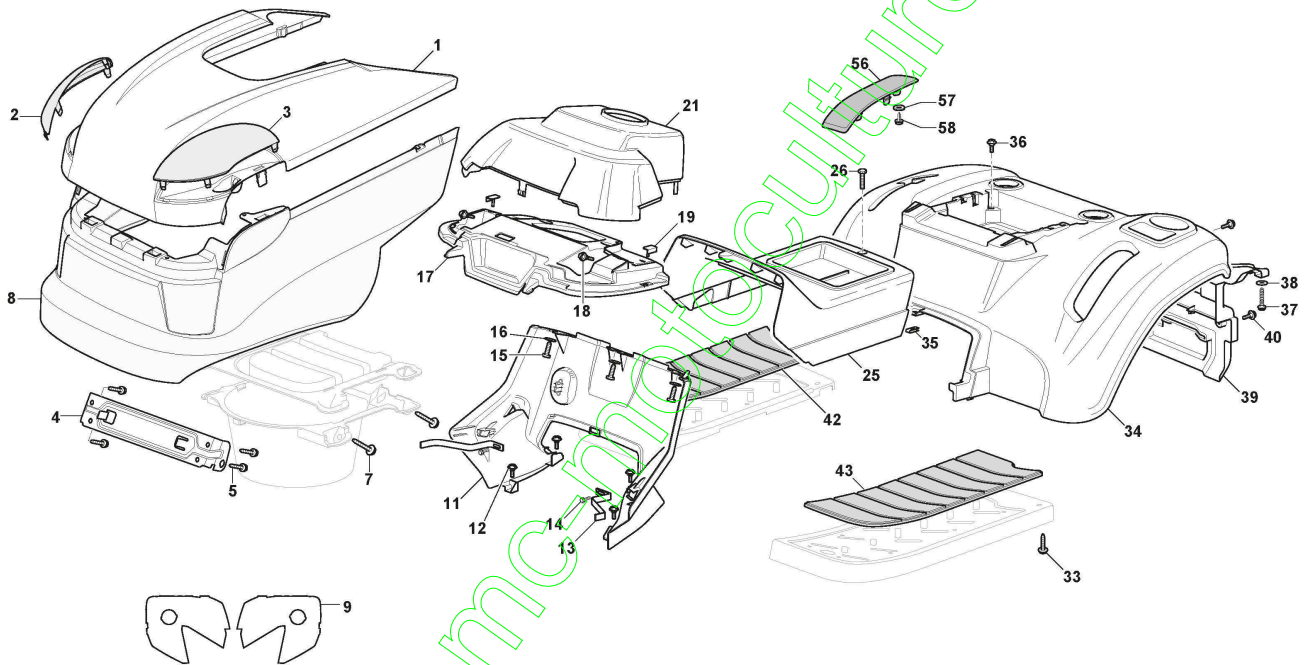
- Use ST. S.p.A. Genuine Spare Parts specified in the parts list for repair and/or replacement.
- The contents described in the parts list may change due to improvement.
- The drawings of the spare parts are only indicative And might Not represent the part in question exactly.
- The indications "right" - "left" - "front" - "rear" refer to the position of the operator when using the machine.
- When placing orders of parts for repair And/Or replacement, make sure that the illustrated parts list is the one applying to the machine's year of manufacture, as shown on the identification plate attached to the machine.

All rights reserved. No part Of this material may be reproduced Or transmitted, in any form Or by any means, electronic Or mechanical, including photocopying, recording Or by any information storage And retrieval system, without permission in writing from ST. S.p.A.



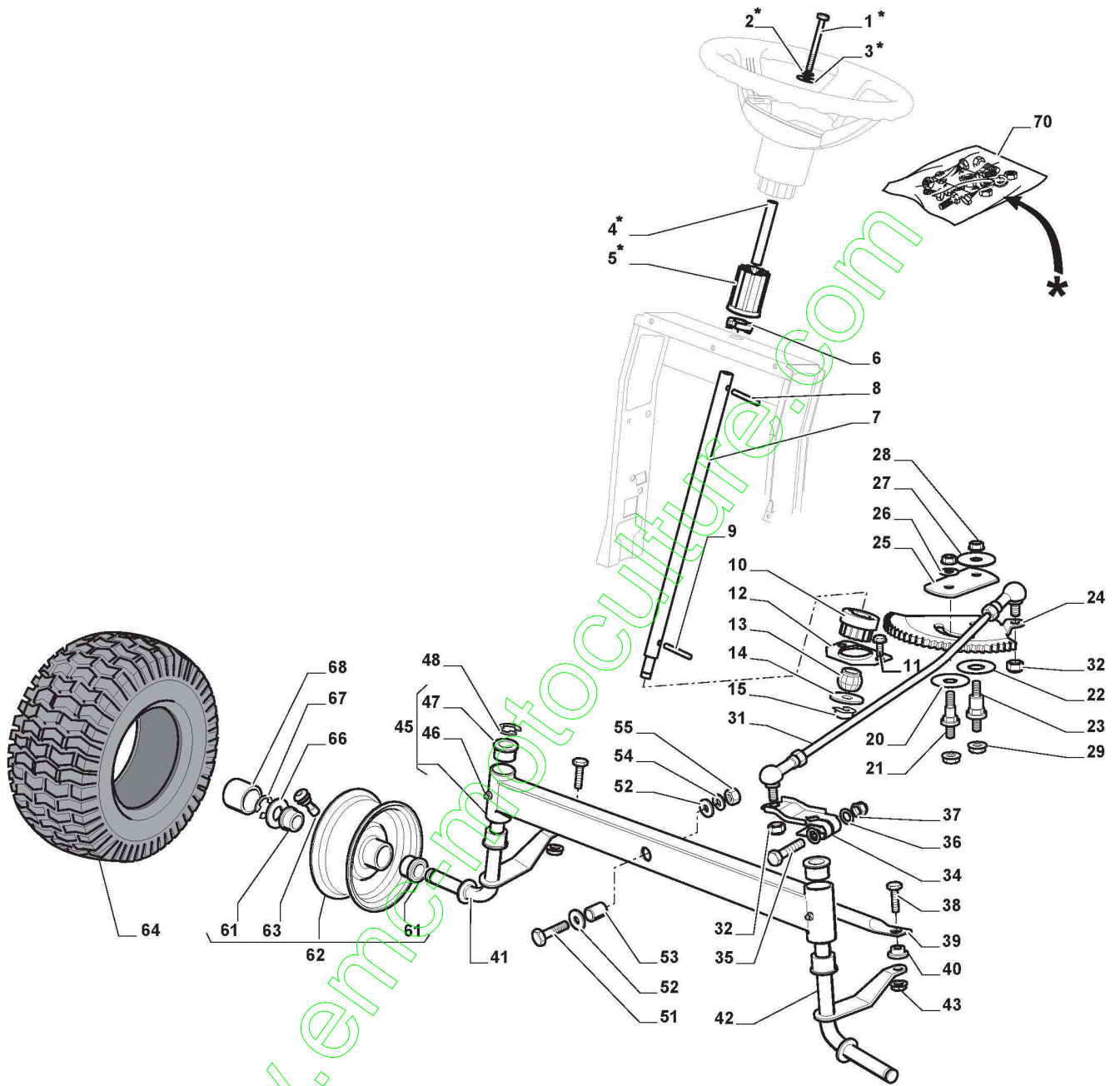
Chassis

Réf. N°	Q.té :	Code article	Description	Articles	De	Jusqu'à
1	1	124487998/0	Goupille			
2	2	125510079/1	Pivot			To S/N
2	2	125510169/0	Pivot		From S/N 19DA3RON	
3	2	112154210/0	Ecrou		003315	To
3	2	112155000/0	Ecrou		From	
4	2	112735599/0	Vis		01-Septem ber-2013	
5	1	325547225/0	Plaquette Droit			
6	1	325547227/0	Plaquette Gauche			
11	1	382785169/1	Support Tube De Direction			
12	4	125943009/0	Vis			
13	1	325785331/1	Support Siege Droit			
14	1	325785333/1	Support Siege Gauche			
15	6	125943009/0	Vis			
16	1	382785197/0	Support Marchepied	For Hydrostatic Models		
17	2	125943009/0	Vis			
18	2	125943009/0	Vis			
19	2	112728686/0	Vis			
20	1	325500041/1	Marchepied Droit			
21	1	325500043/1	Marchepied Gauche			
22	2	112735599/0	Vis			
25	2	112293201/0	Ecrou			
26	1	325820109/0	Support Siege			
26	1	325820109/1	Support Siege			
27	2	125160048/0	Entretoise			
28	2	125430263/0	Ressort			
29	1	325785379/0	Support			To
29	1	325785379/1	Support		From	
30	1	325820111/1	Switch Comand Cross		01-Septem ber-2013	
31	2	125430264/0	Ressort			
32	2	112521350/0	Rondelle			
33	2	112691400/0	Vis			
34	2	325122002/0	Protecteur			
35	1	382547061/0	Plaquette			
36	2	122524970/2	Pivot			To
36	2	122524970/3	Goupille		From	
37	1	382820151/0	Support Siege		01-Septem ber-2014	To S/N
37	1	382820151/1	Support Siege		From S/N	
38	2	112155010/0	Ecrou		20EA3RON	
39	2	118203854/0	Capot		000612	
40	4	125943009/0	Vis			



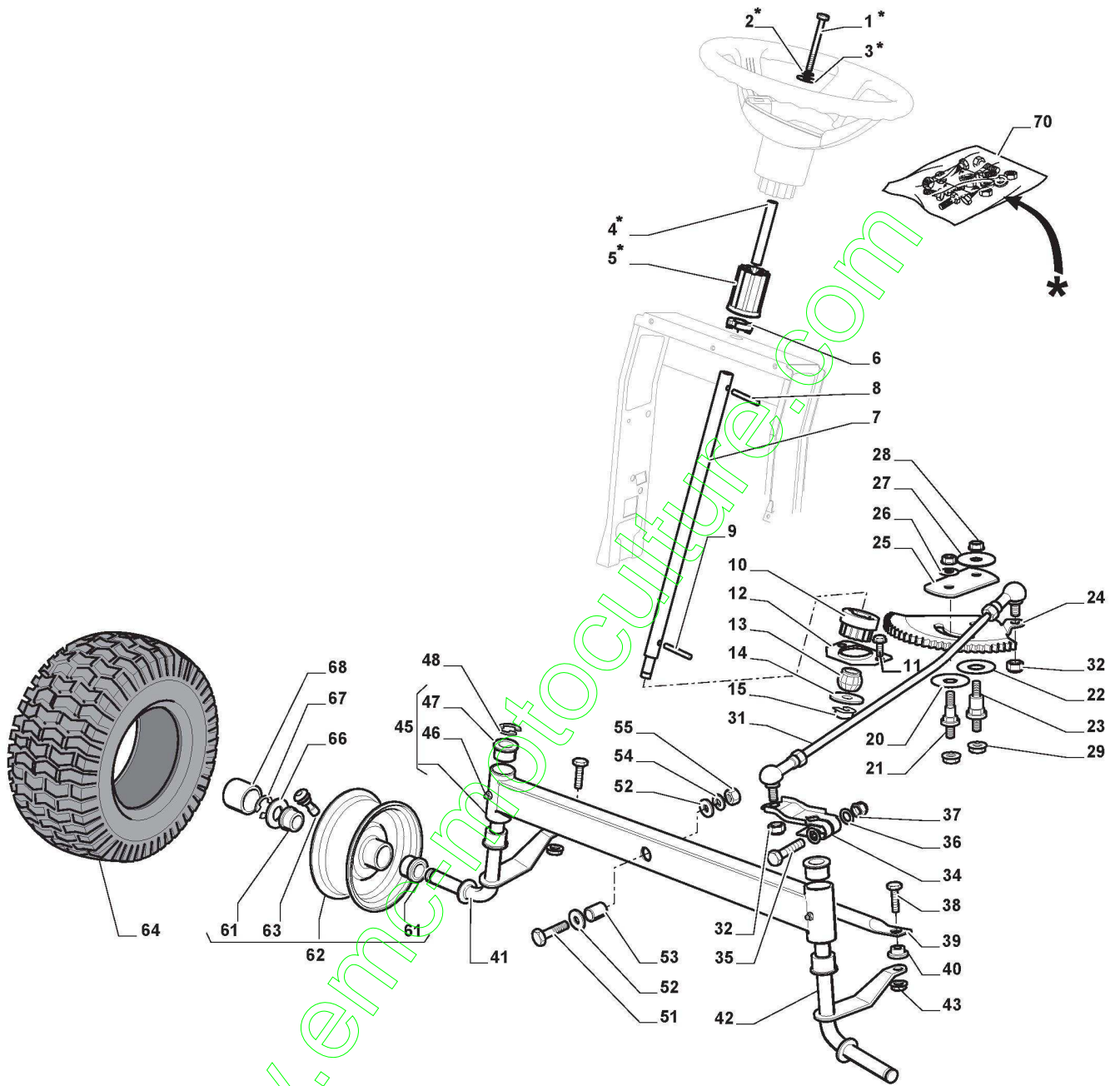
Carrosserie

Réf. N°	Q.té :	Code article	Description	Articles	De	Jusqu'à
1	1	325076910/0	Capot Superieure Rouge			To
1	1	325076910/1	Capot Superieure Rouge		From	31-August-2016
2	1	325410901/0	Panneau Droit			
3	1	325410902/0	Panneau Gauche			
4	1	325785365/0	Support Capot			
5	4	112735403/0	Vis			
7	4	112728692/0	Vis			
8	1	325076911/0	Capot Inferieure		From	To
8	1	325076911/1	Capot Inferieure		From	To
9	1	114365476/1	Autocollant Parabole Phare		01-September-2013	
11	1	325785298/0	Support Tableau Comm.			
12	4	125943010/0	Vis			
13	2	325270325/0	Guide			
14	2	112735599/0	Vis			
15	3	112735406/0	Vis			
16	3	112523040/0	Rondelle			
17	1	325120202/1	Console			To
17	1	325120209/0	Console		From	31-August-2011
17	1	325120259/0	Console		From	To
17	1	325120259/1	Console		01-September-2014	31-August-2015
17	1	325120259/2	Console		From	To
18	2	125943010/0	Vis		01-September-2017	
19	2	325260003/0	Caoutchouc			
21	1	325120203/0	Couverture de tableau			
25	1	325110383/1	Couvre, Rouge			To
25	1	325110383/2	Couvre, Rouge		From	31-August-2016
26	1	125943010/0	Vis			
33	4	112735406/0	Vis			
34	1	325110382/0	Couvre Roues Rouge			To
34	1	325110382/1	Couvre Roues Rouge		From	31-August-2016
35	1	112437506/0	Plaquette			
36	2	125943010/0	Vis			
37	2	112735406/0	Vis			
38	2	112523040/0	Rondelle			
39	1	325547208/1	Plaque Arriere			To
39	1	325547208/2	Plaque Arriere		From	31-August-2013
40	2	125943010/0	Vis			
42	1	325110384/0	Couvre Marchepied Droit	As Optional - Not present on all assortment		
43	1	325110385/0	Couvre Marchepied Gauche	As Optional - Not present on all assortment		
56	1	325207190/0	Couvercle			To
56	1	325207190/1	Couvercle		From	01-January-2021
57	4	112523050/0	Rondelle			
58	2	112735403/0	Vis			



Barre De Direction

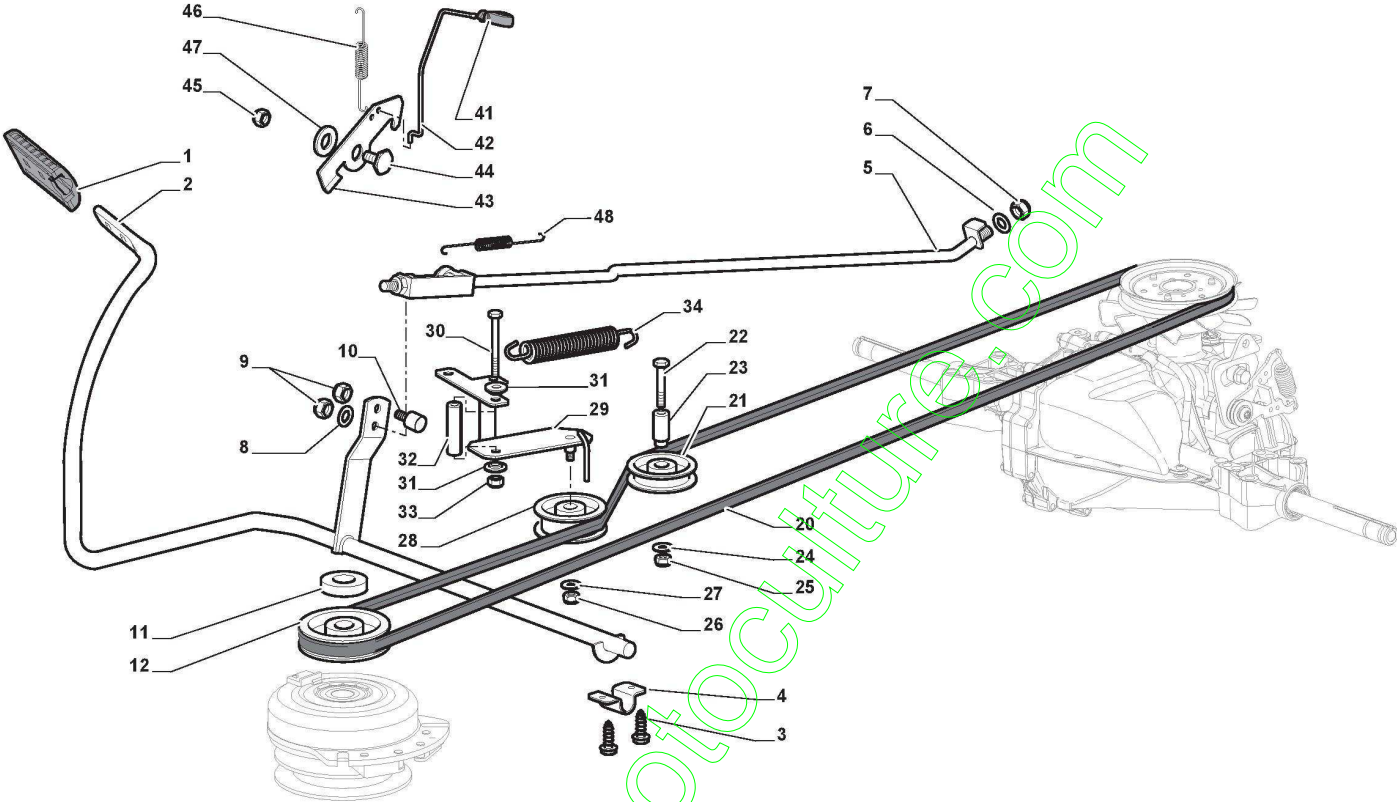
Réf. N°	Q.té :	Code article	Description	Articles	De	Jusqu'à
1	1	112692050/0	Vis			
2	1	112540260/0	Rondelle			
3	1	112523070/0	Rondelle			
4	1	125160047/0	Entretoise			
5	1	325785318/0	Support			
6	1	325038008/0	Douille			
7	1	125520007/0	Tube De Direction			
8	1	112620300/0	Goupille 6x50			
9	1	112622650/0	Goupille			
10	1	125570003/0	Pignon			
11	2	127943051/0	Vis			
12	1	325785213/1	Support			
13	1	325743000/0	Joint			
14	1	112521370/0	Rondelle			
15	1	112436030/0	Plaquette			
20	1	322672151/0	Rondelle Antifriction			
21	1	125510104/0	Pivot			
22	1	125670023/0	Rondelle			
23	1	125510109/0	Pivot			
24	1	325735519/0	Secteur Direction			
25	1	325547233/0	Plaquette			
26	1	112369500/0	Disque Elastique			
27	1	122160400/0	Disque Elastique			
28	2	112155010/0	Ecrou			
29	2	112154210/0	Ecrou			
31	1	382000566/1	Barre De Direction			
32	2	112156602/0	Ecrou			
34	1	325318243/0	Levier			
35	1	112692390/0	Vis			
36	2	112521360/0	Rondelle			
37	1	112156602/0	Ecrou			
38	2	125510103/0	Pivot			
39	1	325840029/0	Tirant			
40	2	325038007/0	Douille			
43	2	112155000/0	Ecrou			
45	1	382034030/0	Balancier Avec Douille Et Graisseur			
46	2	112379511/0	Graisseur			
47	4	125034002/1	Douille			
48	1	112001010/0	Anneau Benzing			
51	1	112692695/0	Vis			
52	2	112523100/0	Rondelle			
53	1	125160016/0	Entretoise			To
53	1	125160016/1	Entretoise		From 01-Septem ber-2013	
54	1	112587100/0	Grower			
55	1	112295300/0	Ecrou			
61	4	125122200/2	Roulement			
62	2	182000598/0	Bandage Roue			
63	2	125950000/0	Vanne			



Barre De Direction

Réf. N°	Q.té :	Code article	Description	Articles	De	Jusqu'à
64	2	125590019/0	Pneu 15x6.00-6 P512 WANDA	For other ST Brand	From	
64	2	127590066/0	Pneu 15x6.00-6 WANDA	For other ST Brand	01-September-2016	To
66	2	125670005/1	Rondelle			To
66	2	125670005/2	Rondelle		From	31-August-2014
67	2	112001010/0	Anneau Benzing			
68	2	322110233/0	Couvre Moyeu			
70	1	382180124/0	Dotation Visserie			

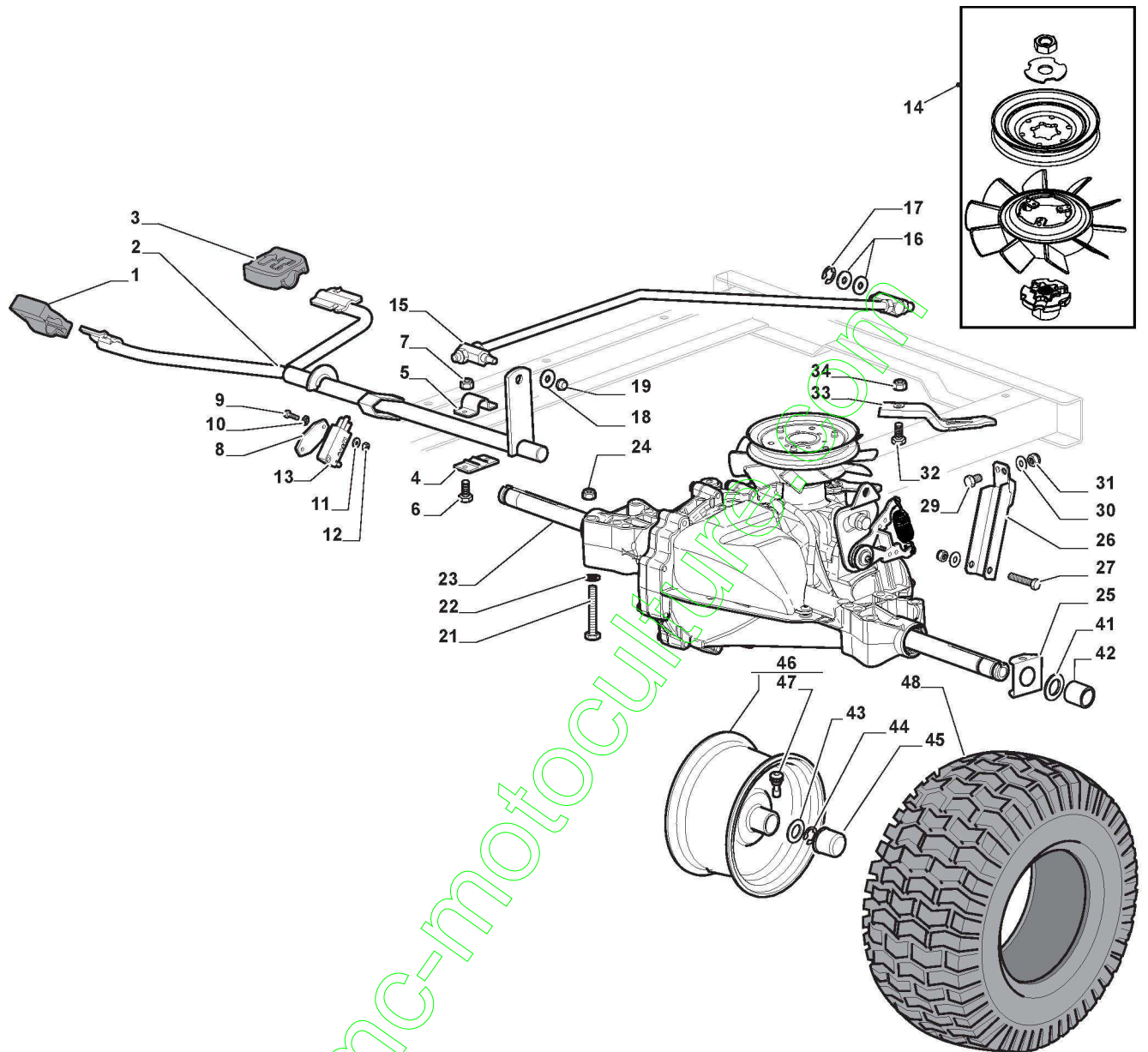
www.emc-motoculture.com



www.emc-motoculture.com

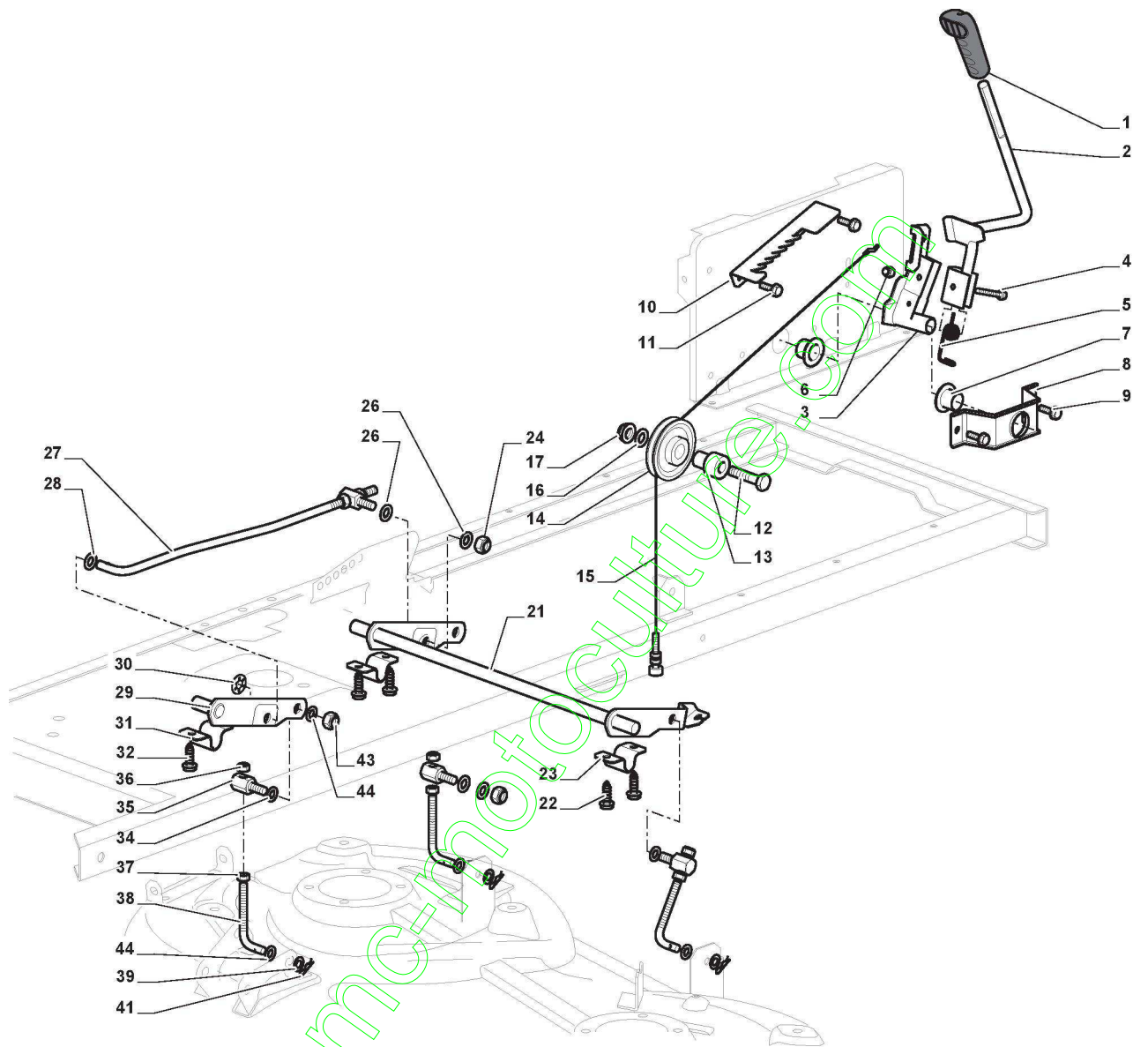
Commande Frein Et Boite De Vitesse

Réf. N°	Q.té :	Code article	Description	Articles	De	Jusqu'à
1	1	325110409/0	Couvre Etrier			
2	1	382000641/0	Pedal			To S/N 19FA3RON
2	1	382000641/1	Pedal		From S/N 19FA3RON 000275	
3	4	112735599/0	Vis			
4	2	325547231/0	Plaquette			
5	1	382000576/0	Tige			
6	1	112521360/0	Rondelle			
7	1	112156602/0	Ecrou			
8	1	325670011/0	Rondelle Antifriccion			
9	2	112155000/0	Ecrou			
10	1	125510116/0	Pivot			To S/N 19DA3RON 003314
10	1	125510166/0	Pivot		From S/N 19DA3RON	
11	1	125160021/0	Entretoise			
12	1	125601577/0	Poulie			
20	1	135062003/0	Courroie			To 31-August- 2015
20	1	135062003/1	Courroie		From 01-Septem- ber-2016	
21	1	125601555/0	Poulie	Bearing hole ø16		To 31-August- 2013
21	1	325601599/0	Poulie	Bearing hole ø15	From 01-Septem- ber-2016	
22	1	112691400/0	Vis			
23	1	125160051/0	Entretoise			To S/N 19DA3RON
23	1	125160083/0	Entretoise		From S/N 00088194	To S/N 19LA3RON 001058
23	1	125160107/0	Entretoise		From S/N 19DA3RON	
24	1	112523060/0	Rondelle			
25	1	112155000/0	Ecrou			
26	1	112155000/0	Ecrou			
27	1	112523060/0	Rondelle			
28	1	125601554/0	Poulie			
29	1	382318245/0	Levier			
30	1	112691600/0	Vis			
31	2	125038002/1	Douille			To 31-August- 2013
31	2	125038021/0	Douille		From 01-Septem- ber-2016	
32	1	125160027/0	Entretoise			
33	1	112155000/0	Ecrou			
34	1	125430262/0	Ressort			
41	1	125394509/1	Poignée		From 01-Septem- ber-2013	To 31-August- 2013
41	1	325394534/0	Poignée			
42	1	125033083/0	Tige			To 31-August- 2013
42	1	125033113/0	Tige		From 01-Septem- ber-2016	
43	1	325253011/0	Accrochage			To 31-August- 2013
43	1	325253011/1	Accrochage		From 01-Septem- ber-2016	
44	1	122524970/2	Pivot			To 31-August- 2014
44	1	122524970/3	Goupille		From 01-Septem- ber-2016	
45	1	112155000/0	Ecrou			
46	1	125430213/0	Ressort			
47	1	112523060/0	Rondelle			
48	1	125430269/1	Ressort			



Transmission

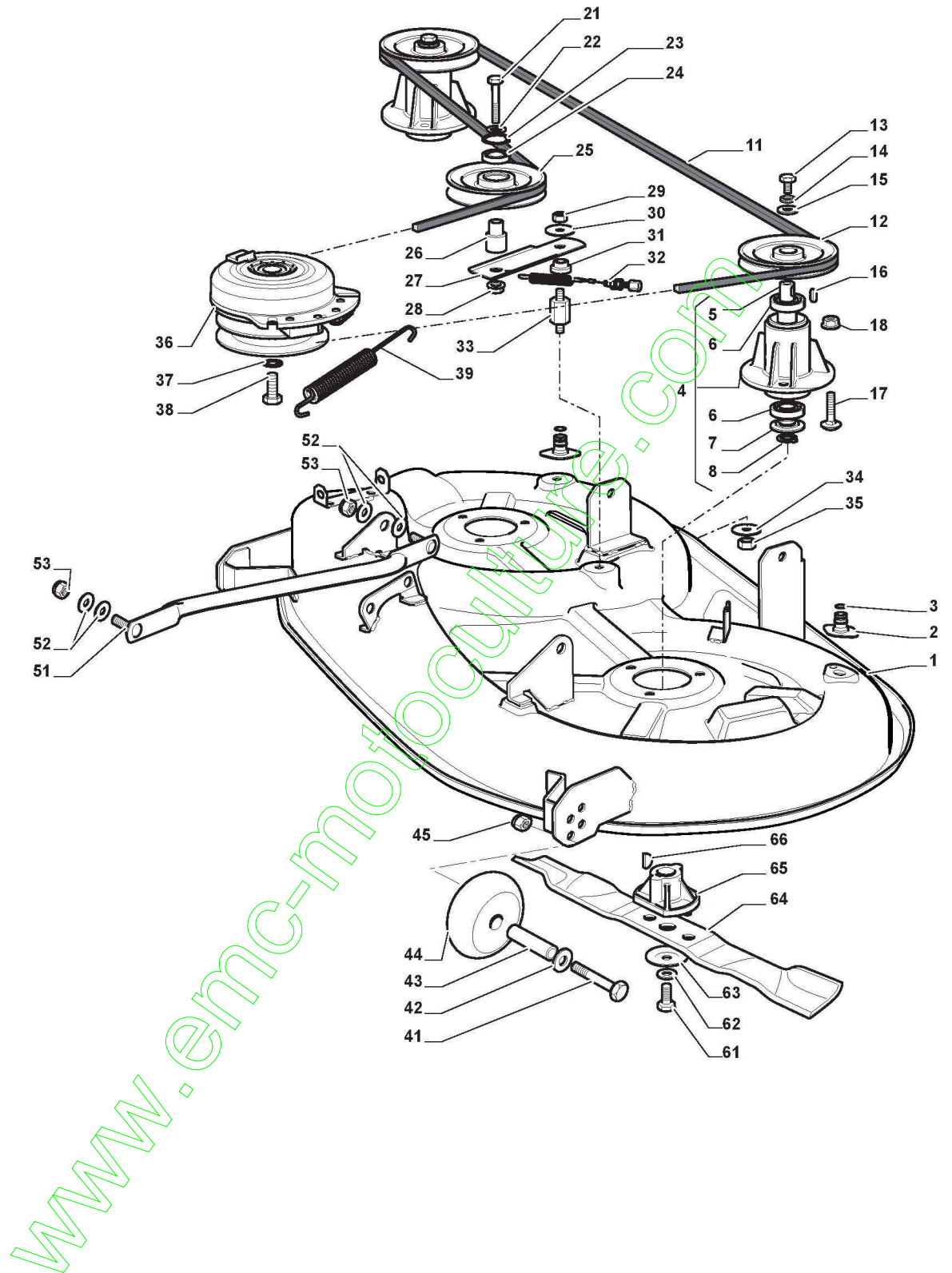
Réf. N°	Q.té :	Code article	Description	Articles	De	Jusqu'à
1	1	325110274/0	Couvre Etrier Avant			
2	1	382000574/0	Axe de Commande			
3	1	325110331/0	Couvre Etrier Arriere			
4	2	325785350/0	Support			
5	2	325547231/0	Plaquette			
6	4	112791213/1	Vis			
7	4	112154510/0	Ecrou			
8	1	327546019/0	Plaquette			
9	2	112735602/0	Vis			
10	2	112540020/0	Rondelle			
11	2	112581100/0	Grower			
12	2	112290791/0	Ecrou			
13	1	119410609/0	Microinterrupteur			
14	1	118802723/0	Fan Kit			
15	1	382000573/0	Tige			
15	1	382000573/1	Tige		From	To 31-August-2011
16	2	325670011/0	Rondelle Antifriction			
17	1	112000955/0	Anneau Benzing			
18	1	112523040/0	Rondelle			
19	1	112154510/0	Ecrou			
21	4	112691600/0	Vis			
22	4	112521350/0	Rondelle			
23	1	118400919/0	Axe Arriere (Hydro-Gear T2-Aded-2X3C-1Pa1)			To 31-August-2010
23	1	118400919/1	Axe Arriere (Hydro-Gear T2-Adbf-2X3C-1Px1)		From 01-September-2011	To 31-August-2010
23	1	118400919/2	Axe Arriere (Hydro-Gear T2-Adbf-2X3C-17X1)		From 01-September-2011	To 31-August-2010
24	4	112155000/0	Ecrou			
25	2	325670026/0	Rondelle			
26	1	325785349/0	Support			To
26	1	325785349/1	Support		From 01-September-2011	To
27	1	112691700/0	Vis			
29	1	112792611/0	Vis			
30	2	112523060/0	Rondelle			
31	2	112155000/0	Ecrou			
32	1	112791213/1	Vis			
33	1	325318251/0	Lever			
34	1	112154510/0	Ecrou			
41	2	125670005/1	Rondelle			
42	2	125160055/0	Entretoise			To
42	2	125160058/0	Entretoise		From 01-September-2013	To
43	6	125670005/1	Rondelle			
44	2	112001010/0	Anneau Benzing			
45	2	322110233/0	Couvre Moyeu	Standard Black Cover		
46	2	382000597/0	Bandage Roue Arriere			
47	2	125950000/0	Vanne			



www.encyclopédie.com

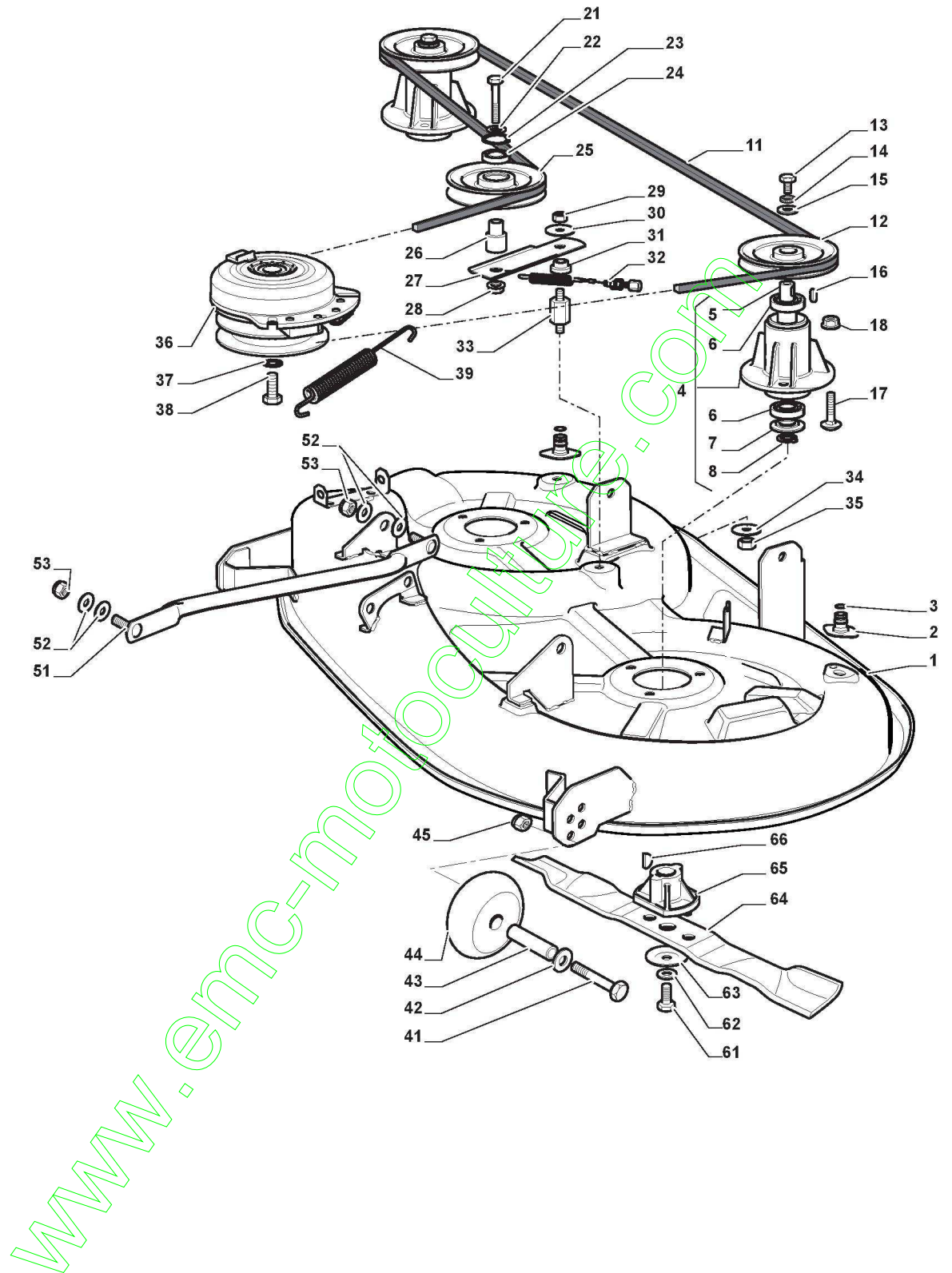
Soulevement Plateau De Coupe

Réf. N°	Q.té :	Code article	Description	Articles	De	Jusqu'à
1	1	325394533/0	Poignée			
2	1	382318229/0	Levier			
3	1	382318231/0	Axe			
4	1	112674700/0	Vis			
5	1	125430261/0	Ressort			
6	1	112154510/0	Ecrou			
7	2	325038006/0	Douille			
8	1	325785297/0	Support			
9	2	125943009/0	Vis			
10	1	325735515/0	Secteur Direction			
11	2	125943009/0	Vis			
12	1	112793701/0	Vis			
13	1	125040636/0	Douille			
14	1	125601579/0	Poulie			
15	1	382004620/0	Fil			
16	1	112523060/0	Rondelle			
17	1	112293201/0	Ecrou			
21	1	382318239/0	Axe			
22	4	112735599/0	Vis			
23	2	325547231/0	Plaquette			
24	1	112155000/0	Ecrou			
26	2	325670011/0	Rondelle Antifriccion			
27	1	382000569/0	Tige De Connexion			
27	1	382000569/1	Tige De Connexion	for the replacement check Service Bulletin RO_043	From 01-Septem	To 31-August- 2011
28	1	112521350/0	Rondelle			
29	1	382318237/0	Axe			
30	1	112604899/0	Fixateur A Couronne			
31	1	325547231/0	Plaquette			
32	2	112735599/0	Vis			
34	3	325670008/1	Rondelle			
35	3	125510107/1	Pivot			
36	3	112156602/0	Ecrou			
37	3	112295200/0	Ecrou			
38	3	125840012/0	Tirant			
39	3	112523060/0	Rondelle			
41	3	124487998/0	Goupille			
43	3	112156602/0	Ecrou			
44	6	325670008/1	Rondelle			



Plateau De Coupe avec Embrayage Electromagnétique

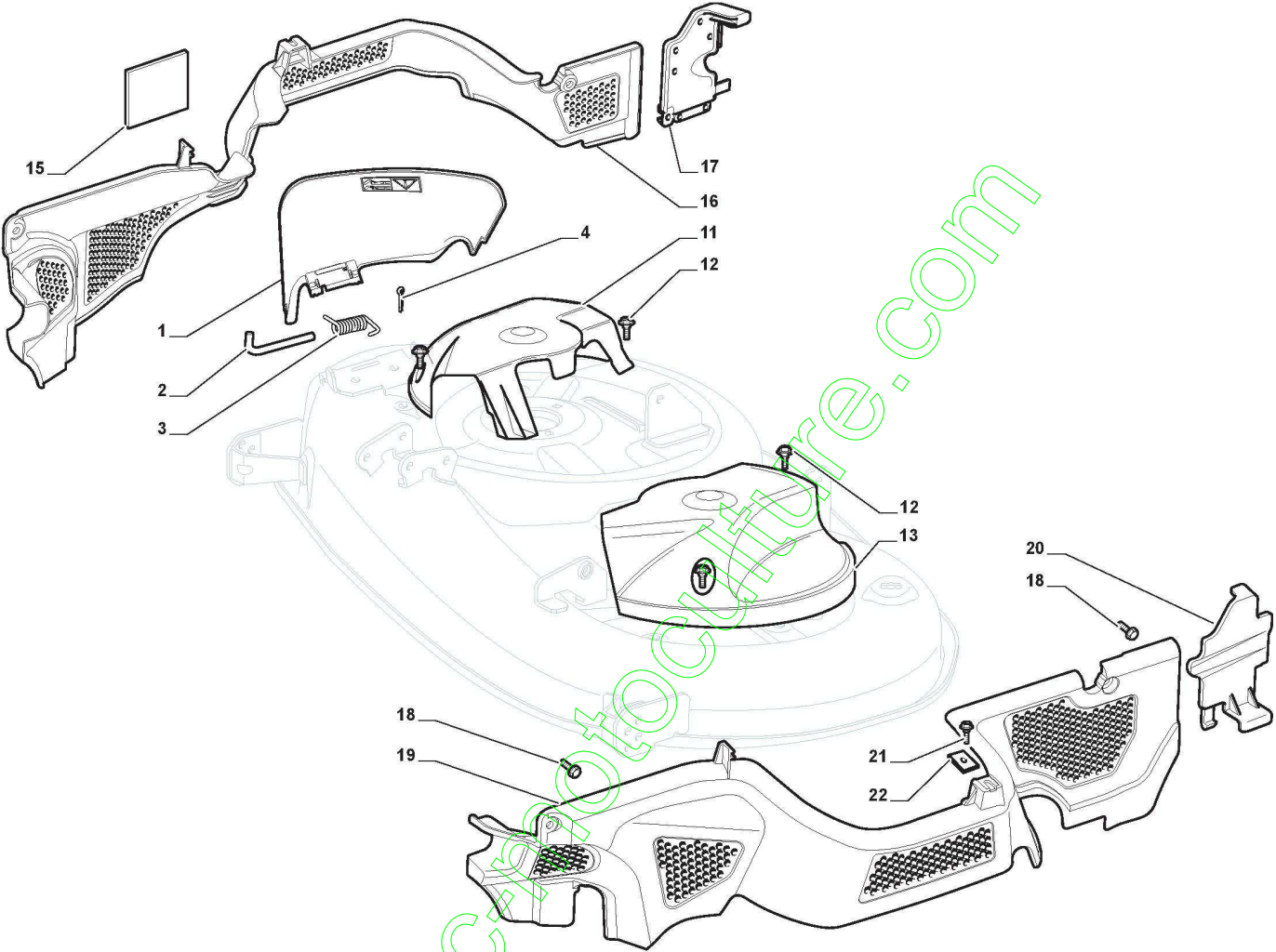
Réf. N°	Q.té :	Code article	Description	Articles	De	Jusqu'à
1	1	382564209/0	Plateau De Coupe Noir			To
1	1	382564209/1	Plateau De Coupe Noir		From	31-August-2014
2	2	325033086/0	Raccord Tuyau D'Eau			
3	2	119035000/0	Joint Or			
4	2	382207204/0	Ensemble Bride			To
4	2	382207204/1	Ensemble Bride		From	31-August-2015
5	2	125020804/0	Arbre Lame			
6	4	119216040/0	Roulement		From	
6	4	119216047/0	Roulement			To
7	2	325160501/0	Protege-Poussiere			31-August-2014
8	2	112609260/0	Seeger			
11	1	135061504/0	Courroie			
12	2	125601571/0	Poulie			
13	2	112793102/0	Vis			
14	2	112540260/0	Rondelle			
15	2	125670007/0	Rondelle			
16	2	112139480/0	Clavette			
17	6	112818690/0	Vis			
18	6	112154210/0	Ecrou			
21	1	112691400/0	Vis			
22	1	112524010/0	Rondelle			
23	1	112610800/0	Anneau Ressort			
24	1	119216041/0	Roulement		From	
24	1	119216048/0	Roulement		01-September-2014	To
25	1	125601586/0	Poulie			
26	1	125160052/0	Entretoise			
27	1	325318232/0	Levier			
28	1	112293201/0	Ecrou			
29	1	112155020/0	Ecrou			
30	1	125670022/0	Rondelle			
31	1	125040635/0	Douille			
32	1	382004618/0	Fil			
33	1	125160049/0	Entretoise			To
33	1	125160086/0	Entretoise		From	31-August-2014
34	1	112523080/0	Rondelle			
35	1	112156602/0	Ecrou			
36	1	118399063/0	Friction			
37	1	112543000/0	Rondelle			
38	1	112737320/0	Vis			
39	1	122430216/0	Rondelle De Tension			To
39	1	122430216/1	Ressort		From	To
39	1	125430277/0	Ressort		01-September-2010	31-August-2011
41	2	112692050/0	Vis			
42	2	112523060/0	Rondelle			
43	2	125510072/0	Pivot			
44	2	182700001/0	Roulettes Antiscalp			
45	2	112293201/0	Ecrou			
51	2	382000565/0	Tige Balancier			



Plateau De Coupe avec Embrayage Electromagnétique

Réf. N°	Q.té :	Code article	Description	Articles	De	Jusqu'à
52	8	325670008/1	Rondelle			
53	4	112156602/0	Ecrou			
61	2	112735694/0	Vis			
62	2	112523080/0	Rondelle			
63	2	122160400/0	Disque Elastique			
64	2	182004346/0	Lame Gauche Mulching			
65	2	125463200/0	Moyeu Lame			
66	2	112139100/0	Languette			

www.emc-motoculture.com

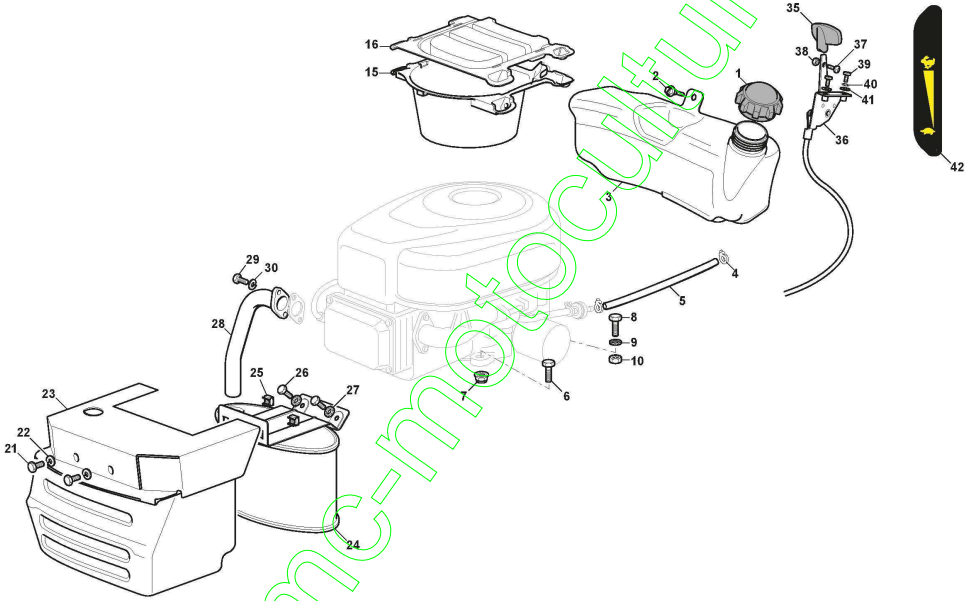


www.emcexpert.com

Protections Courroie

Réf. N°	Q.té :	Code article	Description	Articles	De	Jusqu'à
1	1	325600077/1	Protection En Sortie			To
1	1	325600077/2	Protection En Sortie		From	31-August-2013
2	1	125510073/0	Pivot			
3	1	125430242/1	Ressort			
4	1	112141418/0	Goupille			
11	1	325600078/0	Carter Protection Courroie Droit			
12	4	125943006/0	Vis			
13	1	325600079/0	Carter Protection Courroie Gauche			
15	1	325600084/0	Protection	only 98cm		
16	1	325060154/0	Carter			
17	1	325600082/0	Protection			
18	4	125943011/0	Vis			
19	1	325060155/0	Carter			
20	1	325600083/0	Protection			
21	2	127943051/0	Vis			
22	2	112437506/0	Plaquette			

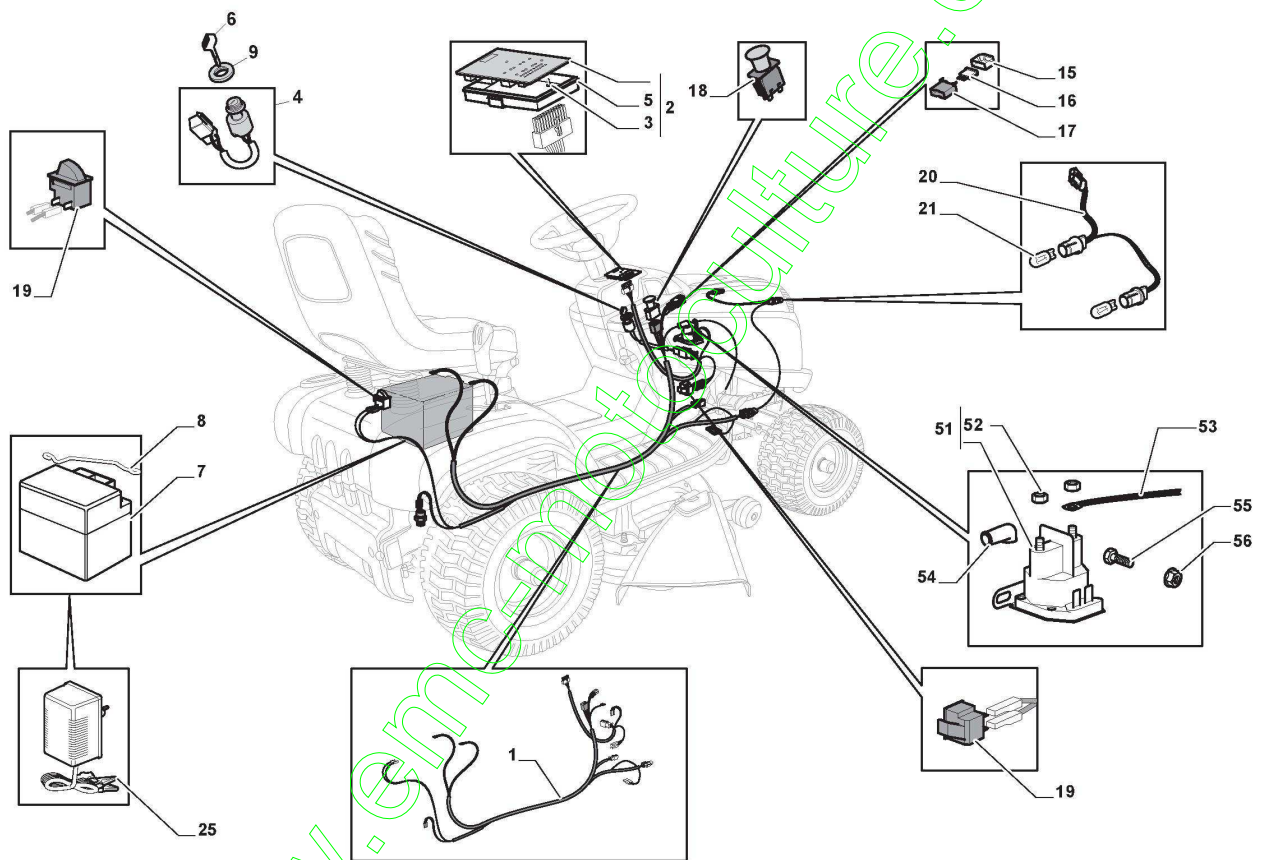
www.emc-motoculture.com



Moteur - B&S

Réf. N°	Q.té :	Code article	Description	Articles	De	Jusqu'à
1	1	125795001/1	Bouchon			
2	4	125943010/0	Vis			
3	1	325735126/0	Réservoir à carburant			To S/N DD305061
3	1	325735126/1	Reservoir		From S/N 25000000	
4	2	118375051/1	Fixation De Cable			
5	1	325869057/0	Tube De Connexion			
6	3	112735108/1	Vis			
7	3	112154210/0	Ecrou			
8	1	112691115/0	Vis			
9	1	112540260/0	Rondelle			
10	1	112154210/0	Ecrou			
15	1	325108044/1	Convoyeur	if foreseen in assortment		
16	1	325263302/1	Capot avant noir	if foreseen in assortment		To 30-June-20 21
16	1	325263318/0	Grille D'Aspiration	if foreseen in assortment	From 01/01/2000	
21	2	112792611/0	Vis			
22	2	112540260/0	Rondelle			
23	1	382598047/0	Protection Silencieux			To S/N 19HA3RON 10 S/N 000651
23	1	382598047/1	Protection Silencieux		From S/N 12/11/2000	
23	1	382598047/2	Protection Silencieux		From S/N 22LA3RON 005573	
24	1	182750010/0	Silencieux			
25	2	112360425/0	Ecrou			
26	2	112792611/0	Vis			
27	2	112540260/0	Rondelle			
28	1	118738206/0	Tuyau de raccord d'échappement			
29	2	112737450/0	Vis			
30	2	112540260/0	Rondelle			
35	1	325394531/0	Poignée			
36	1	182000216/0	Accelérateur			
37	1	112726388/0	Vis	White Galvanized		
37	1	112726389/0	Vis	Black Galvanized		
38	1	112290800/0	Ecrou			
39	2	112726388/0	Vis	White Galvanized		
39	2	112726389/0	Vis	Black Galvanized		
40	2	112540020/0	Rondelle			
41	2	112521310/0	Rondelle			
42	1	114363697/0	Etiquette			

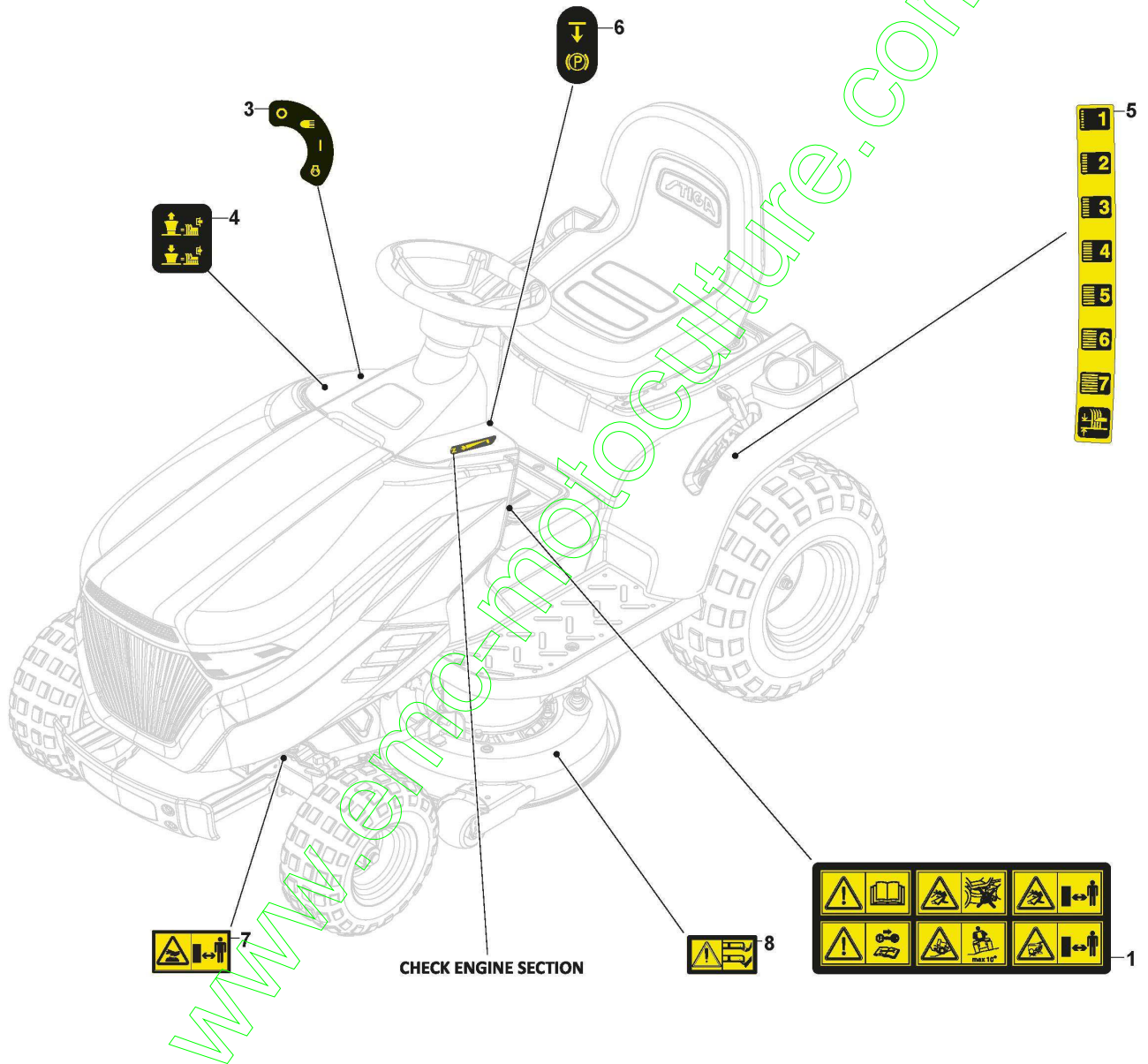
www.emc-motoculture.com



Parties Electriques

Réf. N°	Q.té :	Code article	Description	Articles	De	Jusqu'à
1	1	182040158/0	Ens. Cablages	For Hydrostatic Models		To
1	1	182040196/0	Ens. Cablages	For Hydro Models	From	31-August-2014
2	1	382722429/0	Carte Electronique			To
2	1	382722443/0	Carte Electronique		From	31-August-2014
3	1	112735101/0	Vis			
4	1	118450075/0	Interrupteur Demarrage			To
4	1	118450075/1	Interrupteur Demarrage		From	
5	1	325600080/0	Protection De Carte		01-September-2014	
6	1	118210023/0	Clef A Demarrage			
7	1	118120002/1	Batterie 12V 18AH			
8	1	125430265/1	Ressort			
9	1	118400863/0	Manchon Expansible			
15	2	133215000/0	Couvercle			
16	1	133340036/0	Fusible 25 A			
16	1	133340040/0	Fusible 10 A			
17	2	133500007/0	Tableau De Fusible			
18	1	118450074/0	Interrupteur Embrajage	Red		
19	2	119410613/0	Microinterrupteur			
21	2	118459100/0	Ampoule De Phares			
25	1	182180090/0	Chargeur De Batteries 12V 1A - CE Plugg	CE Plug		
51	1	118736112/0	Solenoid			
52	2	112361005/0	Ecrou			
53	1	125065002/0	Cable			
54	1	118564864/1	Capuchon			
55	1	112790781/0	Vis			
56	2	112154510/0	Ecrou			

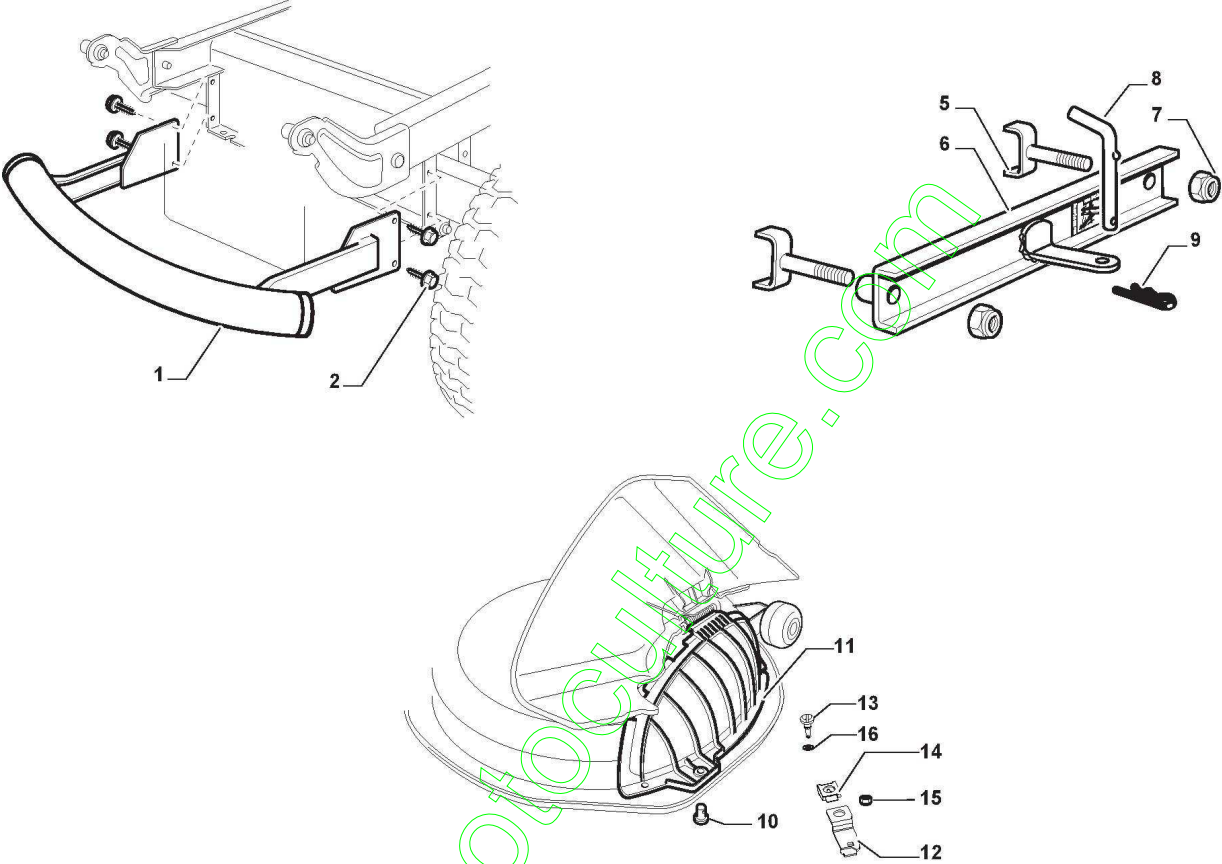
www.emc-motoculture.com



Etiquettes

Réf. N°	Q.té :	Code article	Description	Articles	De	Jusqu'à
1	1	114362365/1	Etiquette	No more used from 01.11.2022		
3	1	114363699/0	Etiquette			
4	1	114361438/0	Etiquette			
5A	1	114363701/0	Etiquette			
5B	1	114366142/0	Etikett			
6	1	114363701/0	Etiquette			
7	2	114364961/3	Etiquette			
8	1	114356699/1	Etiquette De Plaque De Danger			

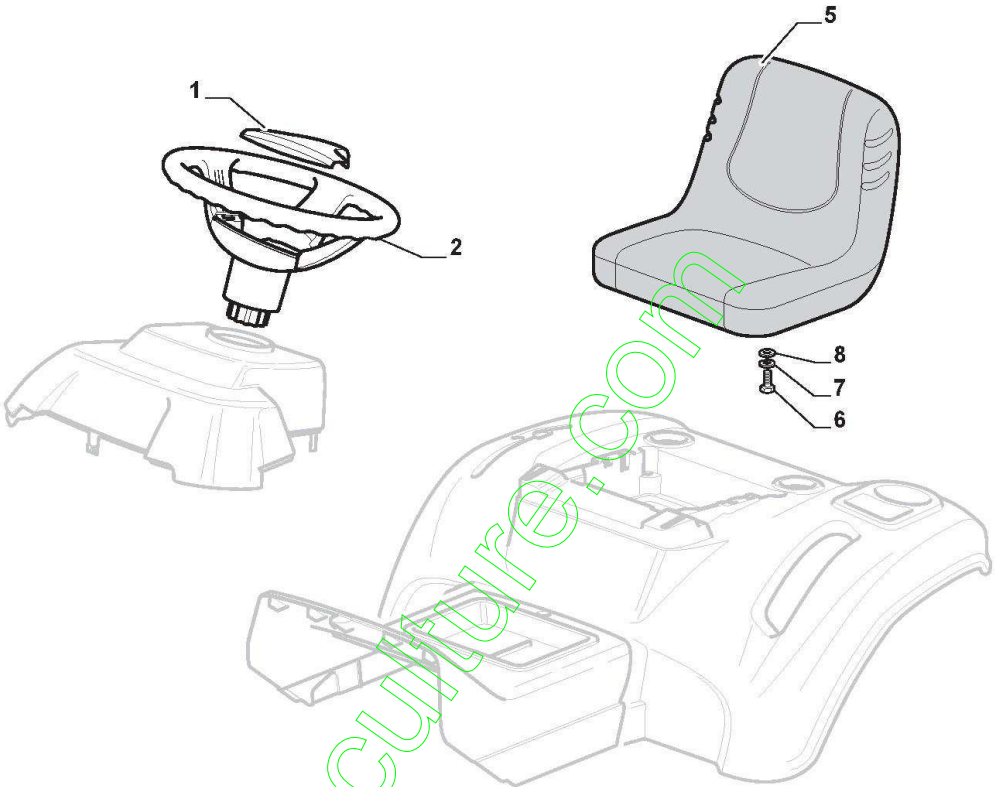
www.emc-motoculture.com



Accessoires Sur Demande

Réf. N°	Q.té :	Code article	Description	Articles	De	Jusqu'à
1	1	382869038/0	Protection Silencieux			
2	4	125943008/0	Vis			
5	2	382650211/0	Renforcement			
6	1	382033111/0	Tige			
7	2	112155000/0	Ecrou			
8	1	125510021/1	Pivot			
9	1	124487999/0	Goupille			
10	2	112815205/0	Vis			
11	1	325140099/0	Deflecteur			To 31-August- 2014
11	1	325140105/0	Deflecteur		From	
12	1	125510111/0	Pivot			To 31-August- 2014
12	2	325785471/0	Pivot		From	
13	1	125580040/0	Bondon		From	
13	1	125580041/0	Bondon		01-Septem ber-2015	To
14	1	112437507/0	Plaquette			To
14	1	118737221/0	Plate		From	To 31-August- 2015
15	2	112154510/0	Ecrou			
16	1	112604899/0	Fixateur A Couronne			

www.emc-motoculture.com



Siege & Volant

Réf. N°	Q.té :	Code article	Description	Articles	De	Jusqu'à
1	1	325580503/0	Plaque Volant			
2	1	325961219/0	Volant			
5	1	125722463/0	Siege			To
5	1	125722483/0	Siege		From	31-August-2017
6	4	112792611/0	Vis			
7	4	112540260/0	Rondelle			
8	4	112523060/0	Rondelle			

www.emc-motoculture.com