



*Green Passion*

# Illustrated Parts List

**XHX 24 - Model Year 2009**

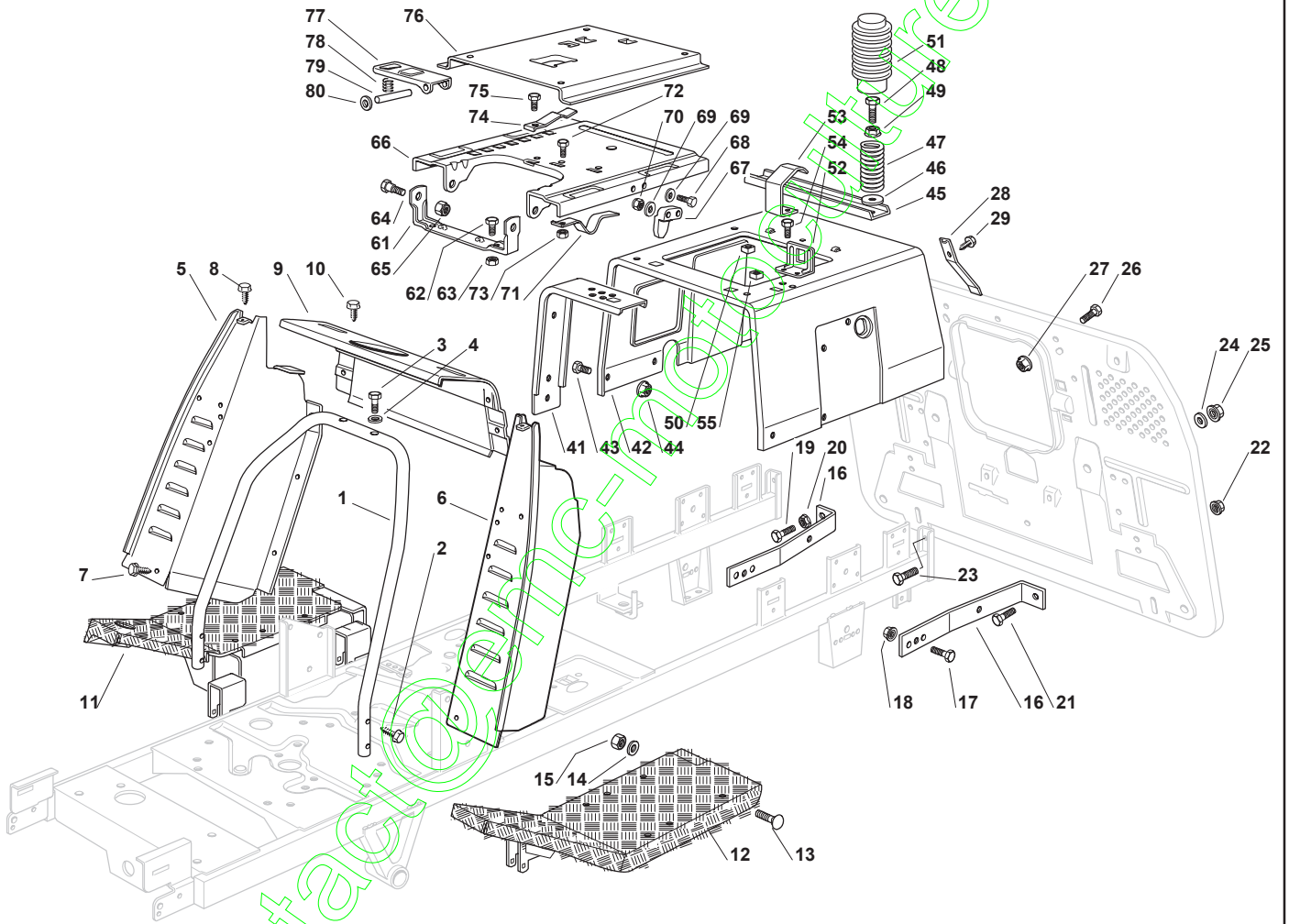
[contact@emc-motoculture.com](mailto:contact@emc-motoculture.com)

- Use GLOBAL GARDEN PRODUCT Genuine Spare Parts specified in the parts list for repair and/or replacement.
- The contents described in the parts list may change due to improvement.
- The drawings of the spare parts are only indicative and might not represent the part in question exactly.
- The indications "right" - "left" - "front" - "rear" refer to the position of the operator when using the machine.
- When placing orders of parts for repair and/or replacement, make sure that the illustrated parts list is the one applying to the machine's year of manufacture, as shown on the identification plate attached to the machine.

COPYRIGHT by GLOBAL GARDEN PRODUCTS

All rights reserved. No part of this material may be reproduced or transmitted, in any form or by any means, electronic or mechanical, including photocopying, recording or by any information storage and retrieval system, without permission in writing from GLOBAL GARDEN PRODUCTS.

# Chassis



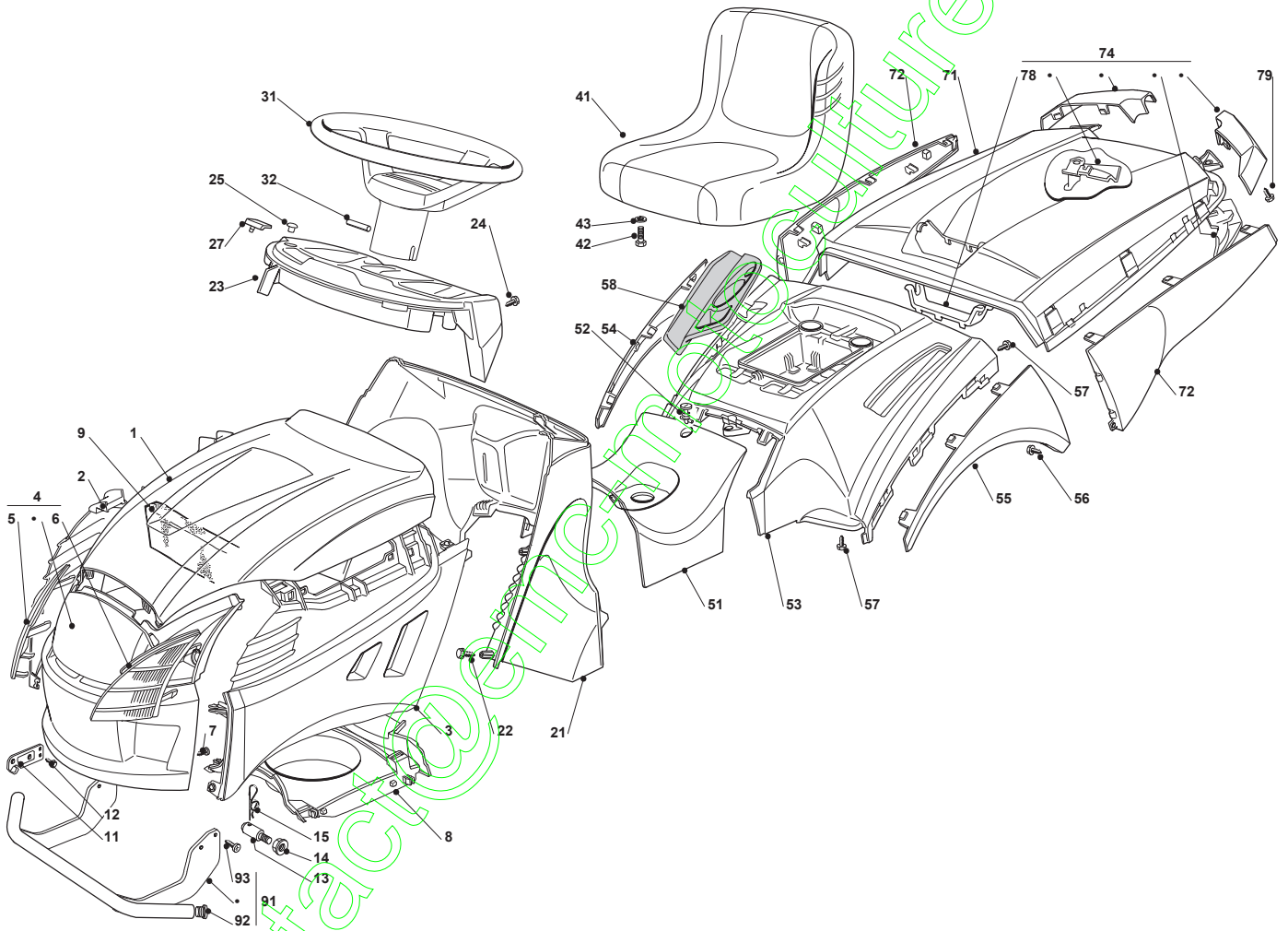


XHX 24 - Model Year 2009

**Chassis**

Pos.	Part no.	Q.ty	Description	Remarks
1	325650121/0	1	Stiffening	
2	12735122/0	4	Screw	
3	12731350/0	2	Screw	
4	12521330/0	2	Washer	
5	382785022/8	1	Right Dashboard Supp.	
6	382785021/7	1	Left Dashboard Supp.	
7	12735110/0	2	Screw	
8	12735110/0	2	Screw	
9	382785171/0	1	Central Dashboard Supp	
10	12735110/0	2	Screw	
11	382510071/0	1	Right Footboard	
12	382510070/0	1	Left Footboard	
13	12815245/0	4	Screw	
14	12523040/0	4	Washer	
15	12154510/0	4	Nut	
16	25774273/1	2	Stiffening	
17	12793102/0	2	Screw	
18	12293201/0	2	Nut	
19	12691100/0	1	Screw	
20	12293200/0	1	Nut	
21	12792611/0	1	Screw	
22	12293201/0	2	Nut	
23	112794300/0	2	Screw	
24	12521360/0	2	Washer	
25	12156602/0	2	Nut	
26	12791011/0	5	Screw	
27	12292102/0	5	Nut	
28	25430238/0	1	Spring	
29	12731580/0	1	Screw	
41	325650133/0	2	Stiffening	
42	325785133/4	1	Seat Support	
43	12791011/0	8	Screw	
44	12292102/0	8	Nut	
45	25650067/0	1	Stiffening	
46	12523070/0	2	Washer	
47	25430205/1	2	Spring	
48	25943001/0	2	Screw	
49	12293201/0	2	Nut	
50	12360420/0	2	Nut	
51	25737002/0	2	Hood	
52	25755025/1	1	Bracket	
53	25430255/0	1	Spring	
54	12735110/0	2	Screw	
55	12437502/0	2	Nut	
61	82774207/0	1	Seat Clamp Support	
62	12792611/0	2	Screw	
63	12293201/0	2	Nut	
64	22524970/2	2	Pin	
65	12155010/0	2	Nut	
66	25785149/2	1	Fixed Seat Supp.	
67	25060033/0	1	Cam	
68	12815050/0	2	Screw	
69	12521320/0	4	Washer	
70	12154330/0	2	Nut	
71	25430223/2	1	Spring	
72	12789000/0	1	Screw	
73	12154330/0	1	Nut	
74	25430203/0	1	Spring	
75	12731580/0	1	Screw	
76	25785147/0	1	Seat Support	
77	25318109/0	1	Stop Lever	
78	25430202/0	1	Spring	
79	25510000/0	1	Pin	
80	12604897/0	2	Washer	

# Body



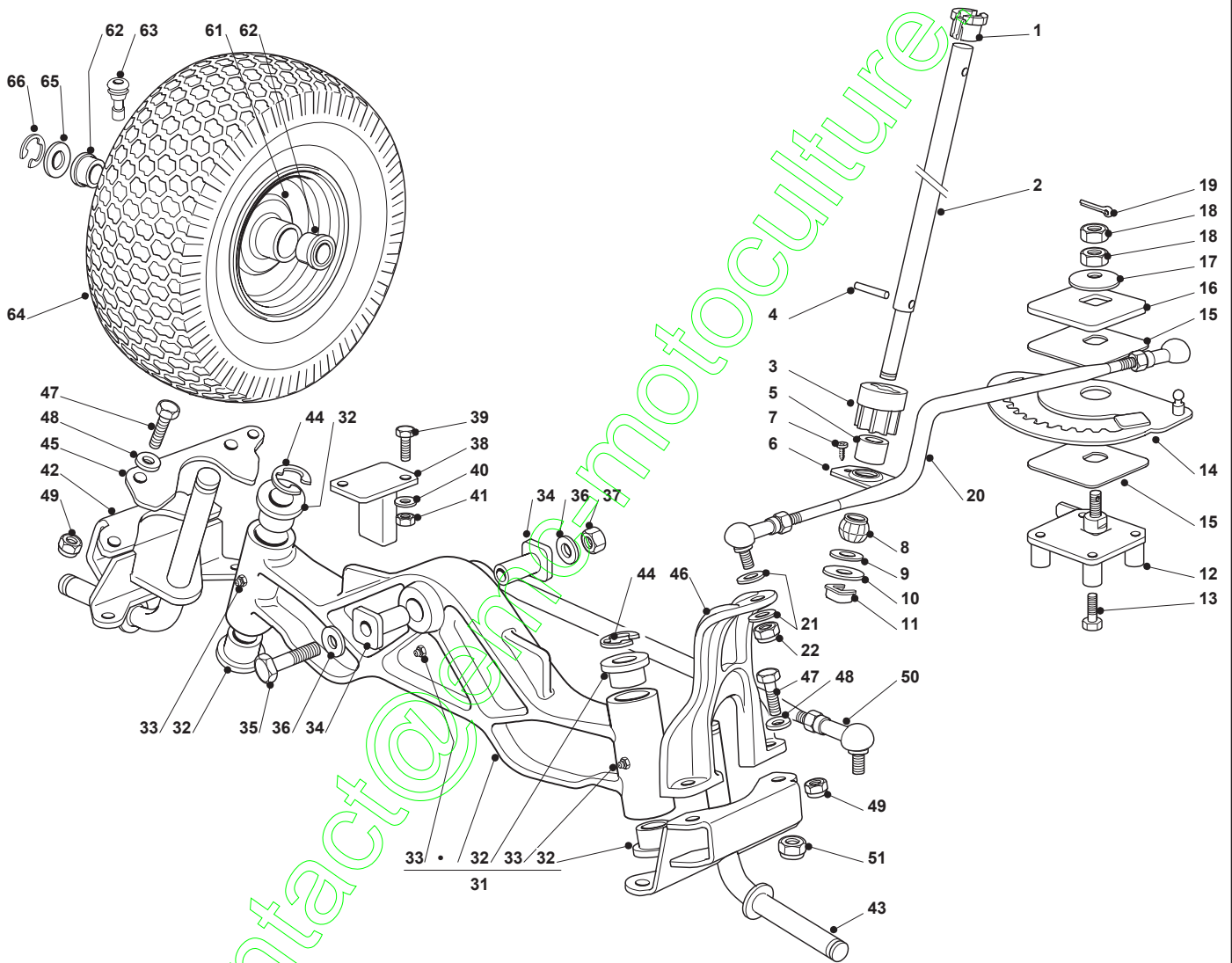


XHX 24 - Model Year 2009

**Body**

Pos.	Part no.	Q.ty	Description	Remarks
1	25076858/0	1	Upper Engine Hood	
2	325207120/1	1	Hood, Right	
3	325207121/1	1	Hood, Left	
4	82394607/0	1	Hood, Front	
5	25410874/0	1	Right Grill	
6	25410875/0	1	Left Grill	
7	12735405/0	6	Screw (Mod. 122)	
8	25108025/0	1	Conveyor	
9	125730021/0	1	Intake Separator	
11	25547109/1	2	Plate	
12	12731580/0	4	Screw	
13	25510068/0	2	Pin	
14	12293201/0	2	Nut	
15	24487998/0	1	Cotter Pin	
21	25785228/1	1	Dashboard Support	
22	12735403/0	7	Screw	
23	325120197/1	1	Dashboard, Red	
23	325120198/1	1	Dashboard, Black	
24	12728440/0	4	Screw	
25	25120200/0	2	Plug	
27	25260000/0	2	Grommet	
31	25961214/0	1	Steering Wheel	
32	12620299/0	1	Pin	
41	25722459/0	1	Seat	
42	12793101/0	4	Screw	
43	12583500/0	4	Grower	
51	325110386/0	1	Cover	
52	25580020/0	1	Pivot	
53	25109744/0	1	Wheels Cover	
54	25109747/0	1	Right Wheel Cover	
55	25109748/0	1	Left Wheel Cover	
56	12728686/0	2	Screw	
57	12735402/0	4	Screw	
58	325207184/0	1	Cover	
71	25110302/0	1	Grass-Catcher Cover	
72	382110256/0	1	Cover Assy	
74	382110283/0	1	Angles Assy	
78	25394009/0	1	Handle Cover	
79	12735403/0	4	Screw	
91	382869039/0	1	Muffler Protection	
92	18737860/0	2	Cap	
93	12734995/0	4	Screw	

contact@emc-motoculture.com



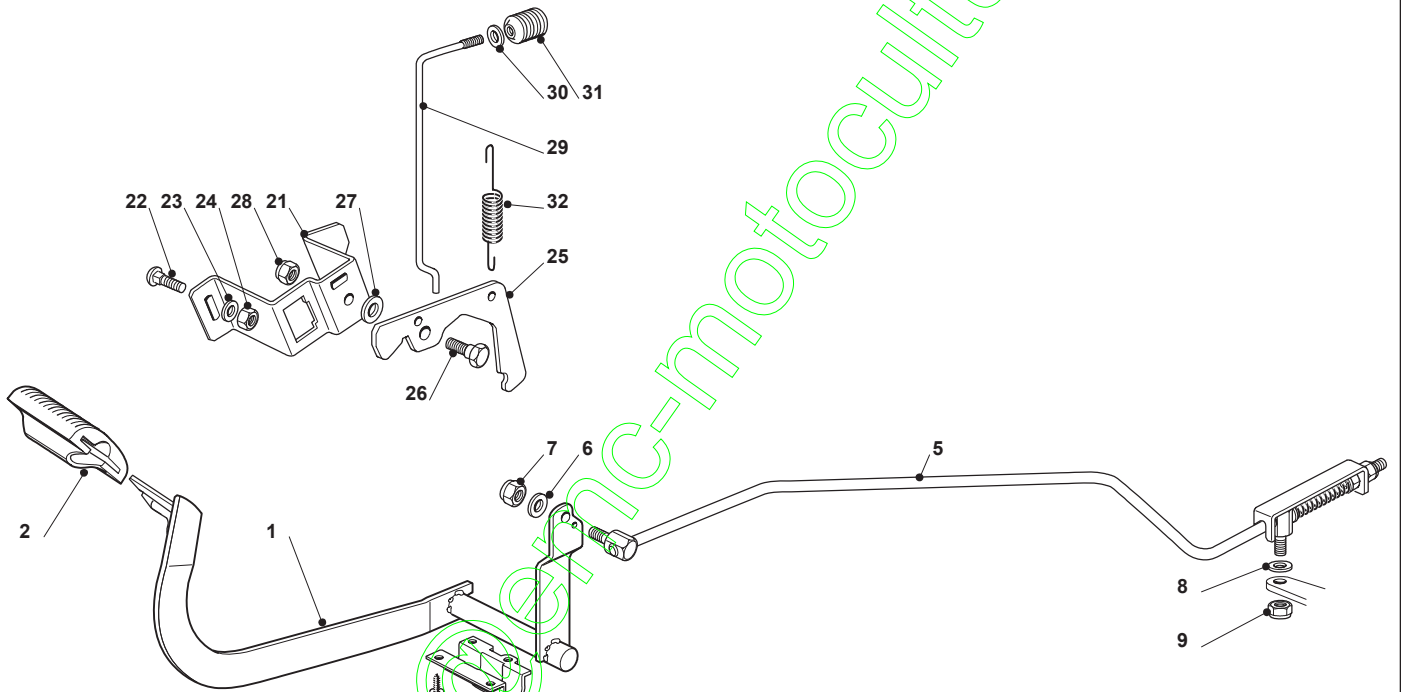


XHX 24 - Model Year 2009

**Steering**

Pos.	Part no.	Q.ty	Description	Remarks
1	25038004/0	1	Bush	
2	125520008/0	1	Steering Column	
3	25570000/2	1	Pinion	
4	12622650/0	1	Pin	
5	325160045/0	1	Spacer	
6	25785213/0	1	Support	
7	12735110/0	1	Screw	
8	25743000/0	1	Joint	
9	22671661/0	12	Washer	
10	12521370/0	1	Washer	
11	12436030/0	1	Plate	
12	382785187/0	1	Support	
13	112735108/1	1	Screw	
14	382735517/0	1	Steering Shaft	
15	125160043/0	2	Spacer	
16	125160504/0	1	Spacer	
17	112369700/1	13	Elastic Washer	
18	112295400/0	2	Nut	
19	12141418/0	1	Cotter Pin	
20	382000560/0	1	Steering Rod	
21	12522050/0	2	Washer	
22	112155700/0	1	Nut	
31	382034031/0	1	Equalizer Ass.Y	
32	125040632/0	4	Bush	
33	12379511/0	3	Grease Dispenser	
34	125040633/0	2	Bush	
35	112695900/0	1	Screw	
36	112521395/0	2	Washer	
37	112295801/0	1	Nut	
38	382190000/0	2	Clamp	
39	112819280/0	4	Screw	
40	112523080/0	4	Washer	
41	112156602/0	4	Nut	
42	382230367/0	1	Stub Axle	
43	382230367/0	1	Stub Axle	
44	12001000/0	2	Snap Ring	
45	325547211/0	1	Plate	
46	325774393/0	1	Clamp	
47	112692600/0	4	Screw	
48	12521370/0	4	Washer	
49	112156603/0	4	Nut	
50	382820015/0	1	Tie Rod	
51	112156603/0	2	Nut	
61	182000600/0	2	Rimm	
62	25122200/2	4	Bearing	
63	25950000/0	2	Valve	
64	125590012/0	2	Tire	
65	25670005/1	2	Washer	
66	12001010/0	2	Snap Ring	

### Brake Controls



contact@mc-motoculture.com





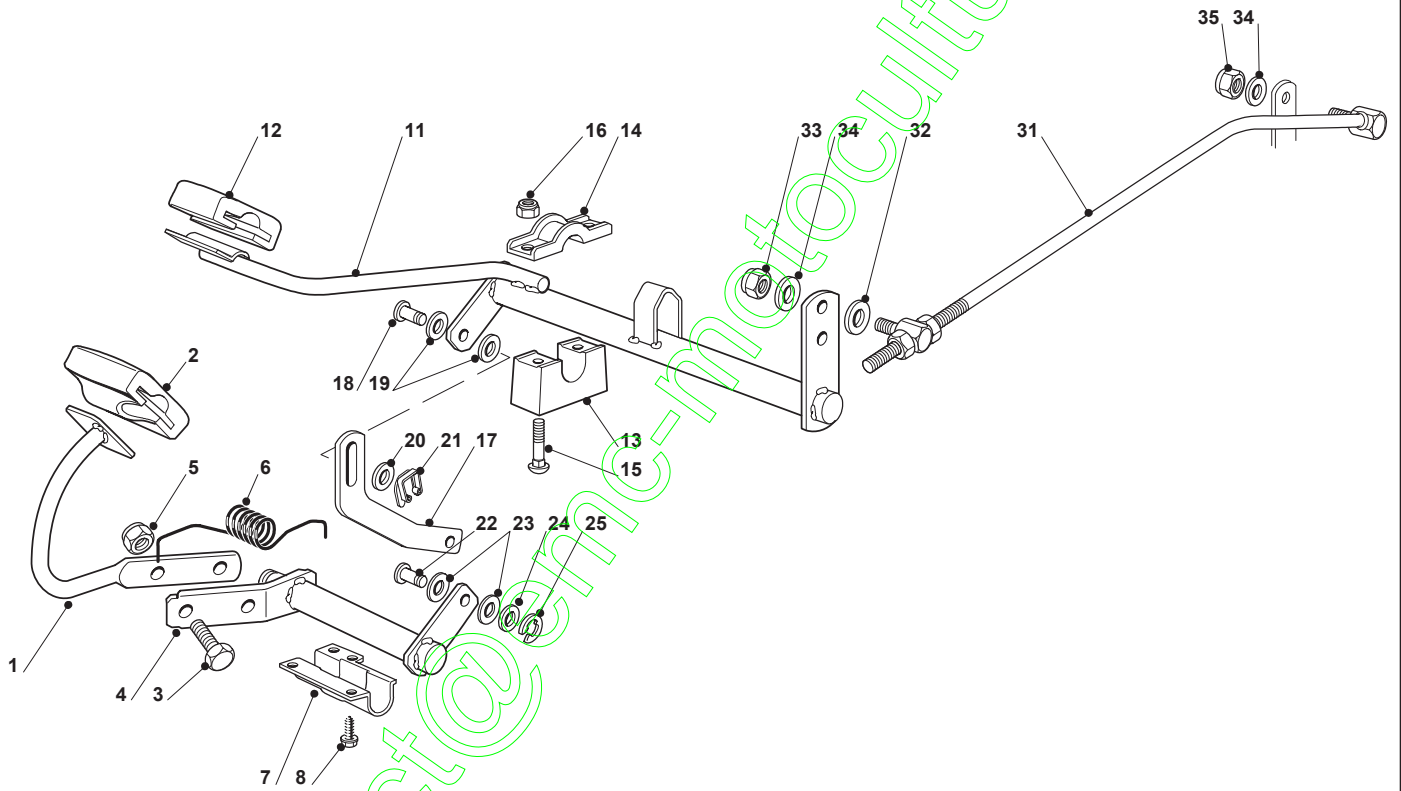
XHX 24 - Model Year 2009

### Brake Controls

Pos.	Part no.	Q.ty	Description	Remarks
1	82500011/2	1	Pedal	
2	25110267/0	1	Cover Pedal	
3	25547081/1	1	Plate	
4	12731601/0	4	Screw	
5	382000572/0	1	Rod	
6	12521350/0	1	Washer	
7	12155000/0	1	Nut	
8	12521350/0	1	Washer	
9	12155000/0	1	Nut	
21	25785143/0	1	Support	
22	12815210/0	2	Screw	
23	12523040/0	1	Washer	
24	12154510/0	2	Nut	
25	325253009/0	1	Hook	
26	22524970/2	1	Pin	
27	25670011/0	1	Washer	
28	12155000/0	1	Nut	
29	25033047/0	1	Rod	
30	12523020/0	1	Washer	
31	25394509/1	1	Knob	
32	25430213/0	1	Spring	

contact@emc-motoculture.com

### Drive Controls



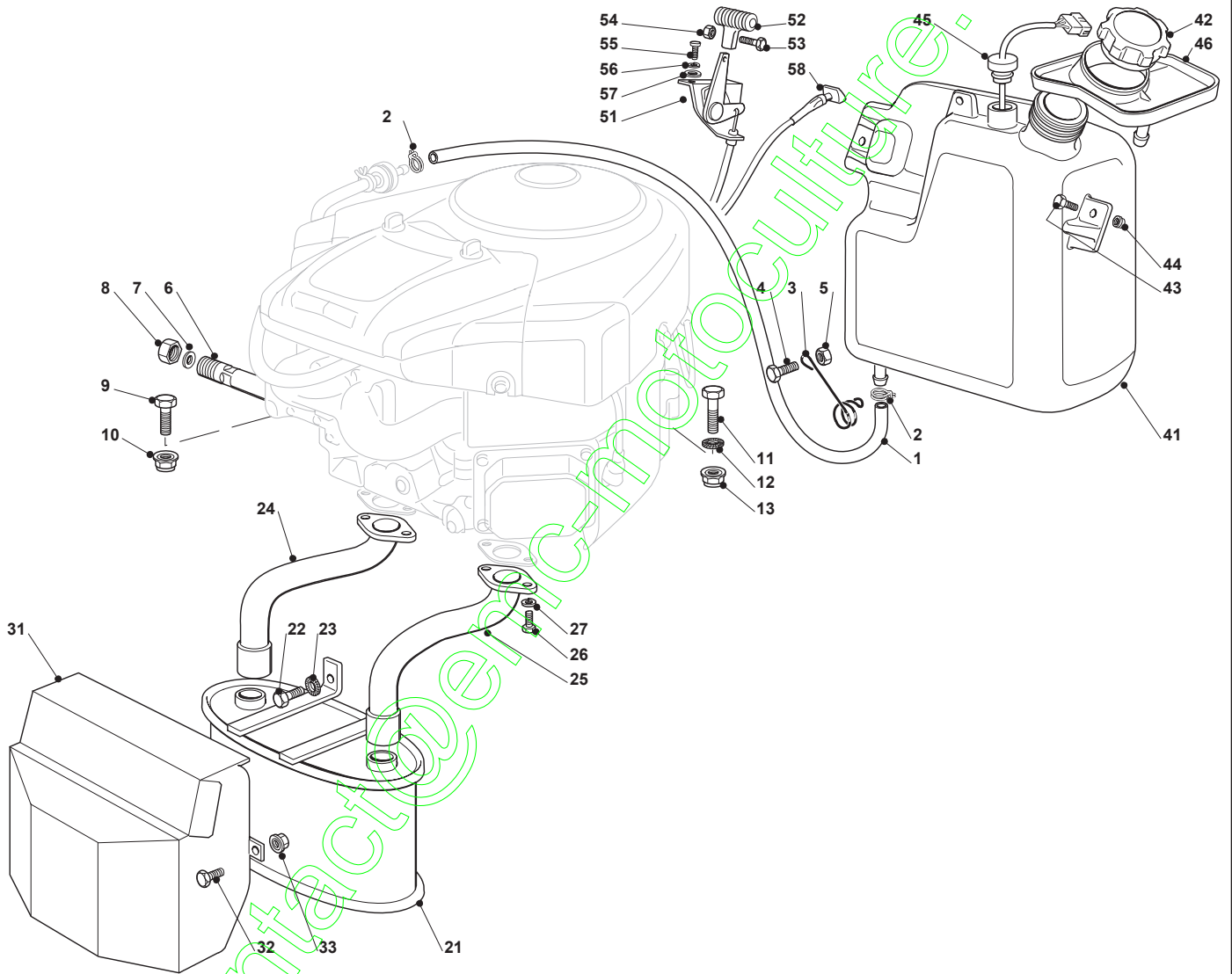


XHX 24 - Model Year 2009

**Drive Controls**

Pos.	Part no.	Q.ty	Description	Remarks
1	382500031/0	1	Pedal	
2	25110275/0	1	Clamp Cover	
3	12793301/0	2	Screw	
4	382000559/0	1	Axle	
5	12155000/0	2	Nut	
6	125430246/0	1	Spring	
7	25547133/0	1	Plate	
8	12731601/0	4	Screw	
11	382000557/0	1	Axle	
12	25110274/0	1	Clamp Cover	
13	25785185/0	2	Support	
14	27546015/1	2	Plate	
15	12815245/0	4	Screw	
16	12154510/0	4	Nut	
17	325547207/0	1	Plate	
18	25510085/0	1	Pin	
19	25670011/0	2	Washer	
20	12521350/0	1	Washer	
21	12436050/0	1	Plate	
22	25510085/0	1	Pin	
23	25670011/0	2	Washer	
24	12521350/0	1	Washer	
25	12000930/0	1	Benzing	
31	382000572/0	1	Rod	
32	12523060/0	1	Washer	
33	12155000/0	1	Nut	
34	12523040/0	2	Washer	
35	12154510/0	1	Nut	

contact@emc-motoculture.com



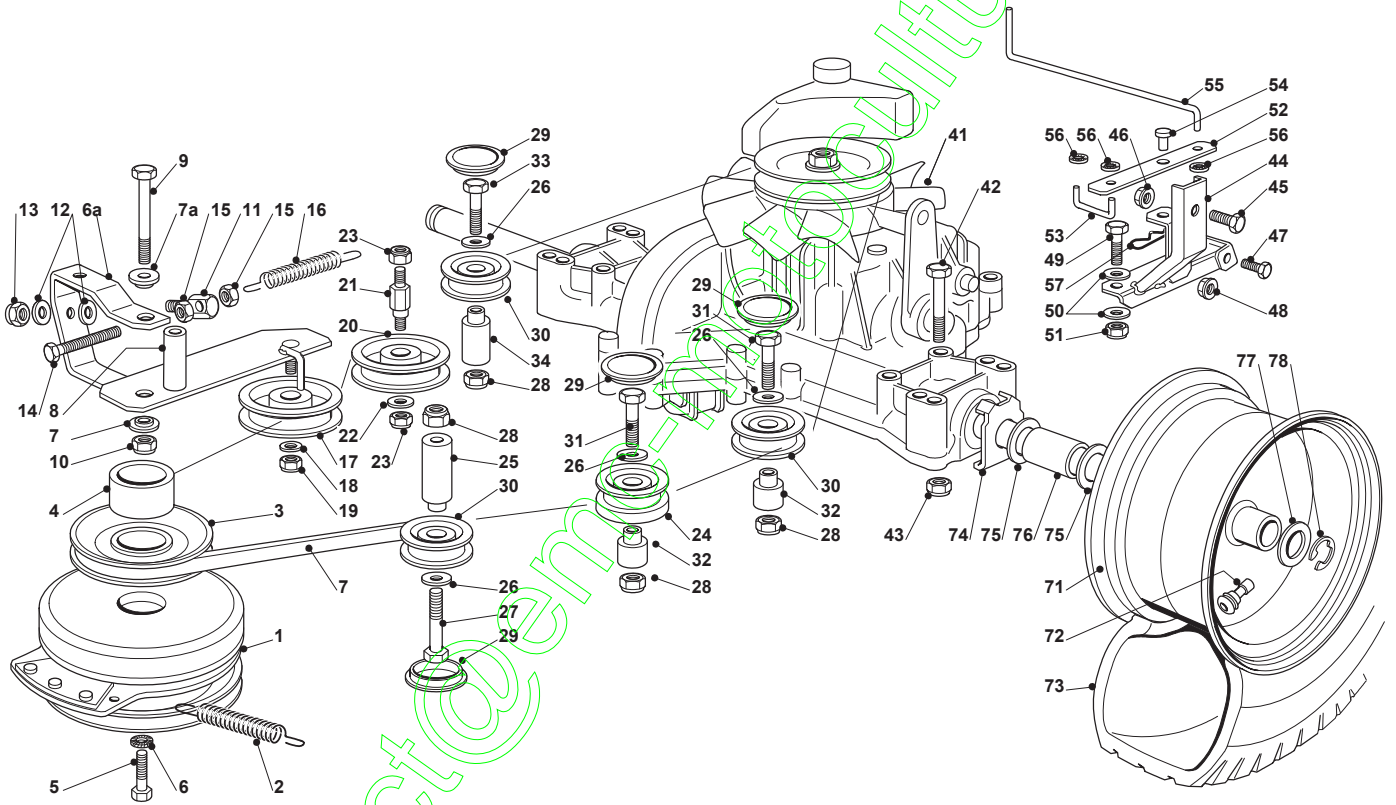


XHX 24 - Model Year 2009

**Engine**

Pos.	Part no.	Q.ty	Description	Remarks
1	25869016/1	1	Connecting Tube	
2	18375051/1	2	Fair Led	
3	25430239/1	1	Spring	
4	12790781/0	1	Screw	
5	12292102/0	1	Nut	
6	25598050/0	1	Oil Discharge Extension	
7	18737849/0	1	Oil Cap	
8	18401001/1	1	Oil Seal	
9	12691100/0	3	Screw	
10	12154210/0	3	Nut	
11	12691115/0	1	Screw	
12	12540260/0	1	Washer	
13	12154210/0	1	Nut	
21	182750009/0	1	Muffler	
22	12793301/0	2	Screw	
23	12540260/0	2	Washer	
24	118738236/0	1	Exhaust Right Tube	
25	118738237/0	1	Exhaust Left Tube	
26	12735530/0	4	Screw	
27	12583500/0	4	Grower	
31	382598043/0	1	Guard	
32	12791011/0	2	Screw	
33	12292102/0	2	Nut	
41	325735125/0	1	Tank	
42	325795003/0	1	Cap	
43	12788910/0	2	Screw	
44	12500092/0	2	Rivet	
45	125290002/0	1	Fuel Level Indicator	
46	325600086/0	1	Guard	
51	182000214/0	1	Accelerator B&S 22-24 Hp	
51	82000204/1	1	Accelerator B&S Vanguard 23 Hp	
52	25394501/0	1	Handle	
53	12726388/0	1	Screw	
54	12290800/0	1	Nut	
55	12788512/0	2	Screw	
56	12581200/0	2	Grower	
57	12521310/0	2	Washer	
58	125090005/0	1	Choke Control	

contact@emc-motoculture.com



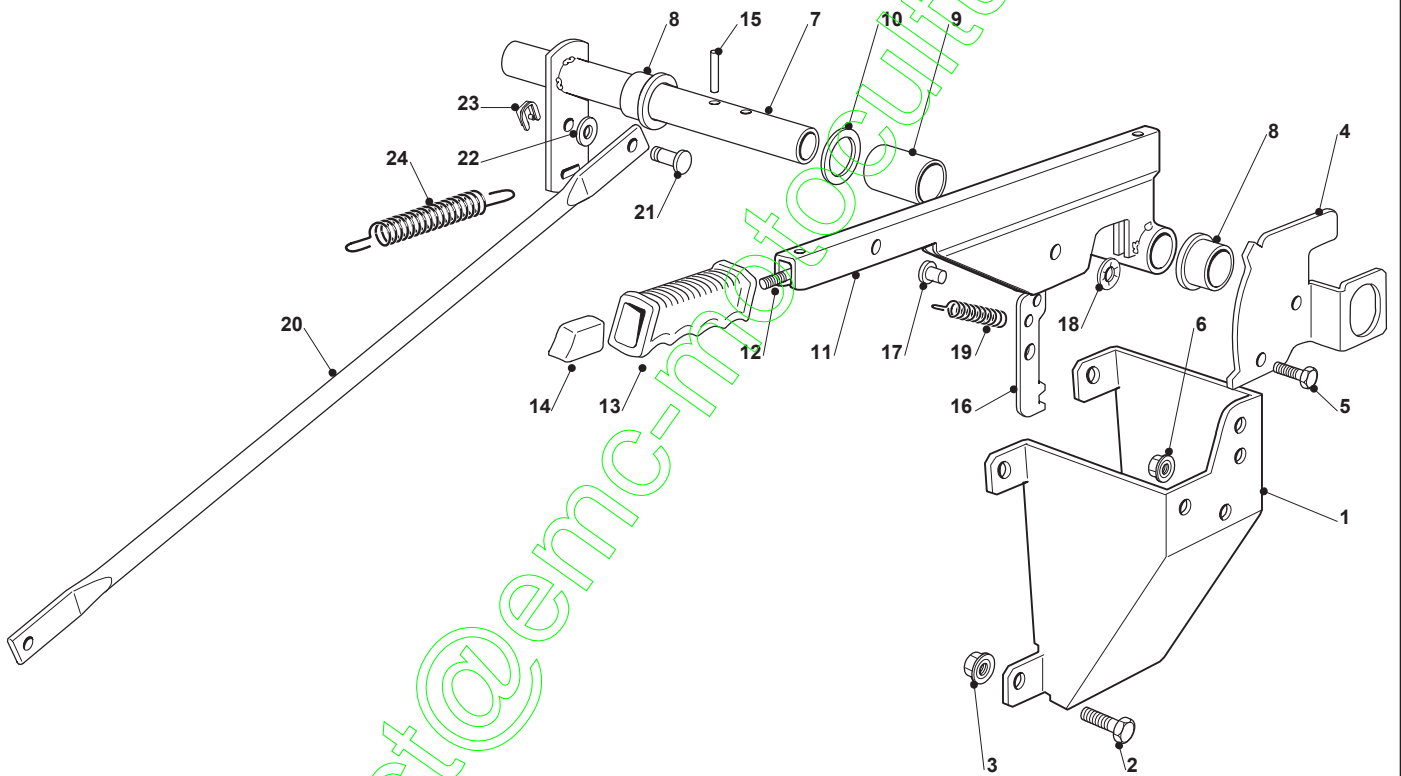


XHX 24 - Model Year 2009

**Transmission Ass.Y**

Pos.	Part no.	Q.ty	Description	Remarks
1	118399062/0	1	Clutch	
2	25430210/0	1	Spring	
3	125601580/0	1	Pulley	
4	25160021/0	1	Spacer	
5	12737320/0	1	Screw	
6	12543000/0	1	Washer	
6a	82318165/1	1	Lever	
7	135062002/1	1	Belt	
7a	25038002/1	2	Bush	
8	125160054/0	1	Spacer	
9	12692000/0	1	Screw	
10	12155000/0	1	Nut	
11	25510040/1	1	Pin	
12	25670011/0	2	Washer	
13	12155000/0	1	Nut	
14	22943005/0	1	Screw	
16	25430219/0	1	Spring	
17	25601554/0	1	Pulley	
18	12523060/0	1	Washer	
19	12155000/0	1	Nut	
20	25601555/0	1	Pulley	
21	25510036/1	1	Pin	
22	12523060/0	1	Washer	
23	12155000/0	2	Nut	
24	325601584/0	1	Pulley	
25	125160050/0	1	Spacer	
26	12523060/0	4	Washer	
27	12691115/0	2	Screw	
28	12155000/0	4	Nut	
29	25109521/1	4	Cover	
30	325601583/0	3	Pulley	
31	12691115/0	2	Screw	
32	125160030/1	2	Spacer	
33	12691400/0	1	Screw	
34	125160024/2	1	Spacer	
41	18400950/1	1	Rear Axle Tuff Torq K46F	
42	12691800/0	4	Screw	
43	12154210/0	4	Nut	
44	382785175/0	1	Support	
45	12735120/0	1	Screw	
46	12293201/0	1	Nut	
47	12792611/0	1	Screw	
48	12293201/0	1	Nut	
49	12691115/0	1	Screw	
50	12521350/0	2	Washer	
51	12155000/0	1	Nut	
52	325547229/0	1	Lever	
53	125580031/0	1	Rod	
54	27510111/0	1	Pin	
55	125033079/0	1	Rod	
56	12604896/0	3	Crown Fastener	
57	124487997/0	1	Cotter Pin	
71	182000602/0	2	Rimm	
72	25950000/0	2	Valve	
73	125590013/0	2	Tire	
74	325670025/0	2	Washer	
75	112521410/0	4	Washer	
76	25160023/0	2	Spacer	
77	25670005/1	2	Washer	
78	12001010/0	2	Snap Ring	

### Cutting Plate Lifting



contact@enc-motoculture.com





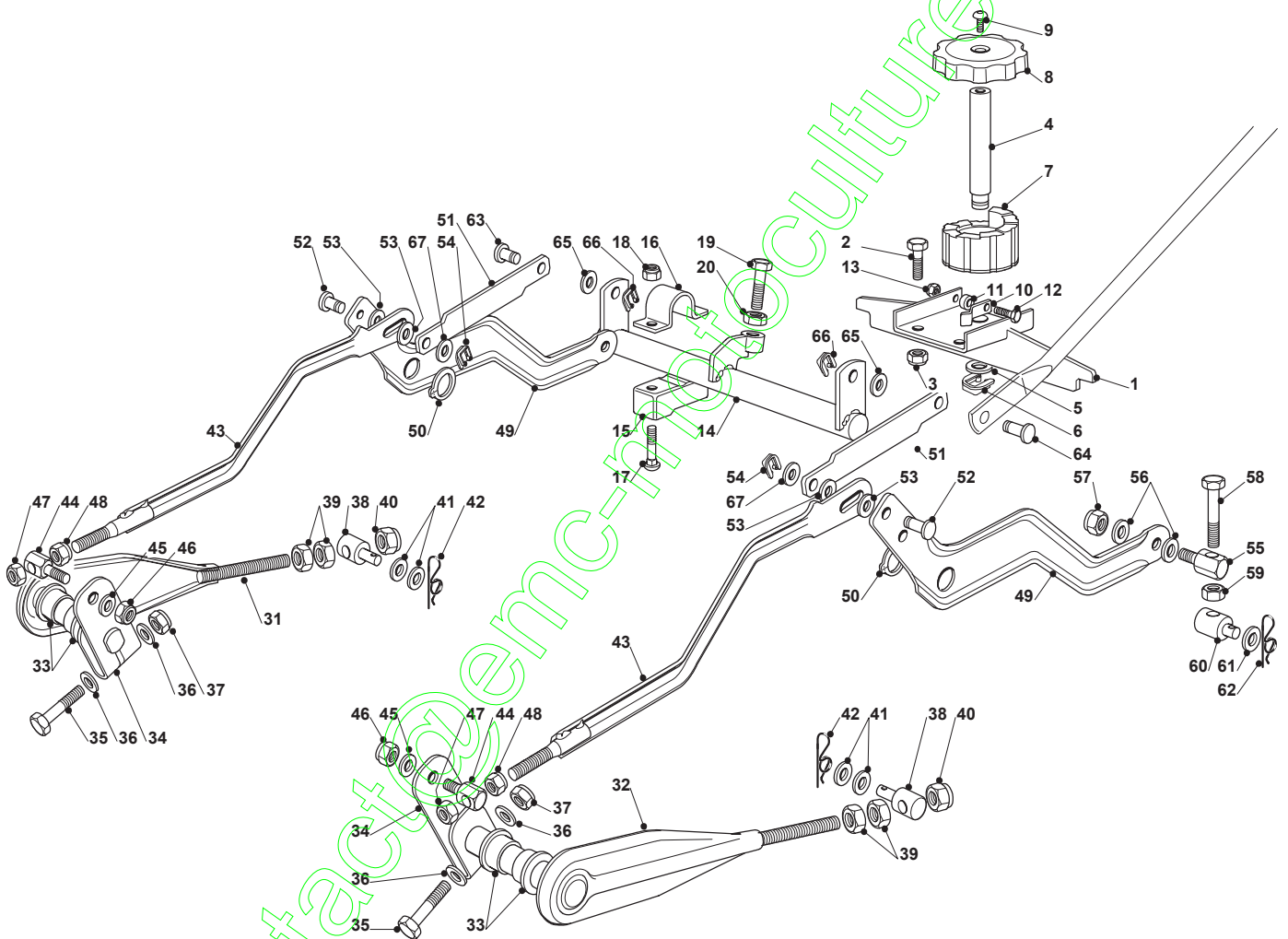
XHX 24 - Model Year 2009

### Cutting Plate Lifting

Pos.	Part no.	Q.ty	Description	Remarks
1	325785137/1	1	Support	
2	12791011/0	4	Screw	
3	12292102/0	4	Nut	
4	325735521/0	1	Sector	
5	12793102/0	2	Screw	
6	12293201/0	2	Nut	
7	382000551/0	1	Axle	
8	22034523/0	2	Bush	
9	25160025/0	1	Spacer	
10	22672153/0	1	Washer	
11	382318241/0	1	Lever	
12	25033002/0	1	Rod	
13	25394504/1	1	Knob	
14	25605000/1	1	Button	
15	12620206/0	2	Pin	
16	25470901/0	1	Dog	
17	25510011/0	1	Pin	
18	12604899/0	1	Crown Fastener	
19	25430208/0	1	Spring	
20	325033077/0	1	Connecting Rod	
21	25510053/1	1	Pin	
22	25670011/0	1	Washer	
23	12436050/0	7	Plate	
24	25430218/0	1	Spring	

contact@emc-motoculture.com

### Cutting Plate Lifting



contact@emc-proculture.com

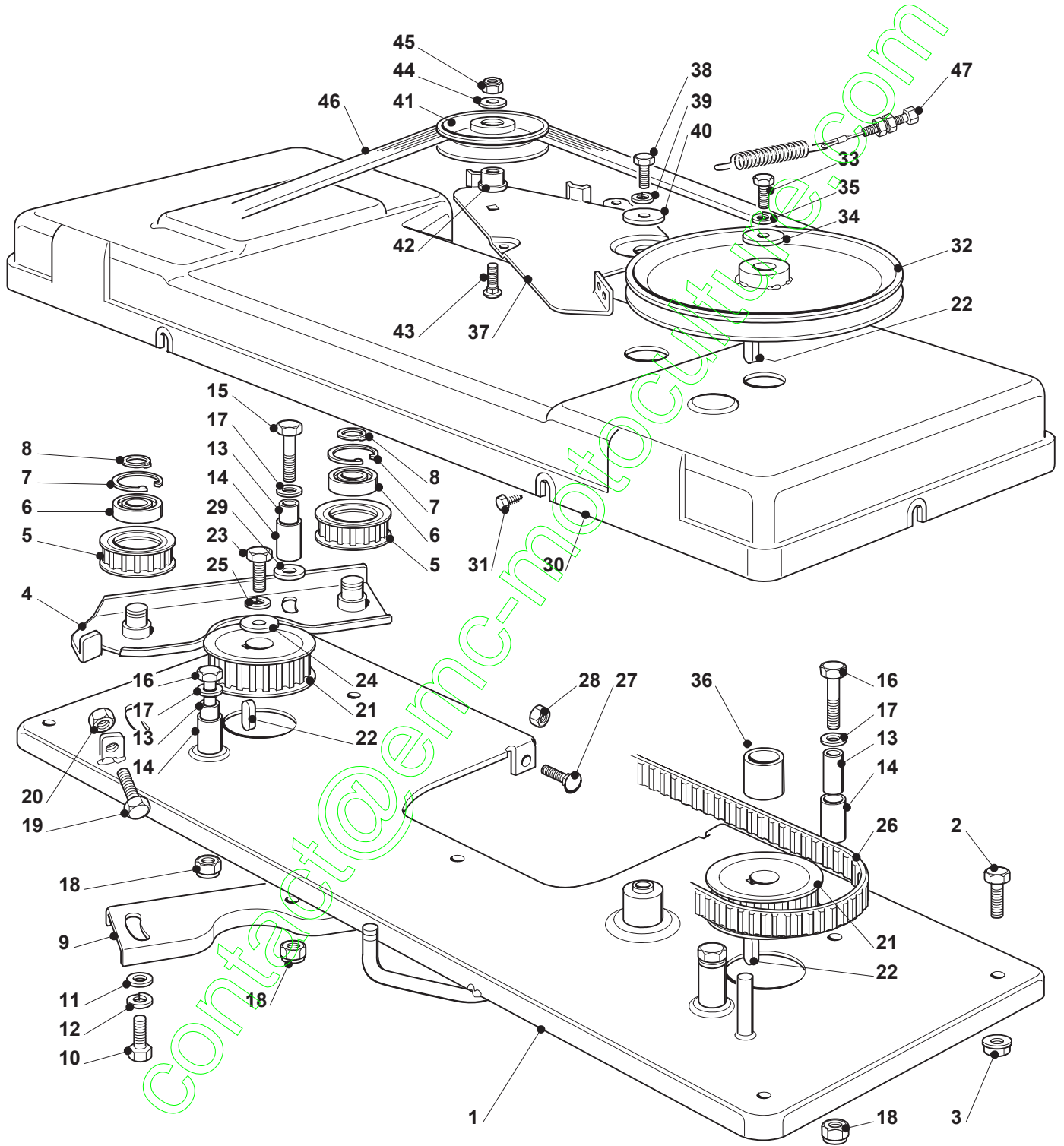


XHX 24 - Model Year 2009

**Cutting Plate Lifting**

Pos.	Part no.	Q.ty	Description	Remarks
1	382785181/0	1	Bracket	
2	12818690/0	2	Screw	
3	12293201/0	2	Nut	
4	125520009/0	1	Axle	
5	22672151/0	1	Washer	
6	12436030/0	1	Plate	
7	325060037/0	1	Cam	
8	325394530/0	1	Knob	
9	112760600/0	1	Screw	
10	325430267/0	1	Spring	
11	22170600/0	1	Spacer	
12	12789195/0	1	Screw	
13	12154320/0	1	Nut	
14	382000563/0	1	Axle	
15	325785292/0	2	Bracket	
16	325547203/0	2	Plate	
17	12815240/0	4	Screw	
18	12154510/0	4	Nut	
19	125943005/0	1	Screw	
20	12295200/0	1	Nut	
31	82318159/0	1	Right Lever (Mod. 122)	
32	82318161/0	1	Left Lever (Mod. 122)	
33	25040605/0	4	Bush	
34	25318161/0	2	Lever	
35	12691700/0	2	Screw	
36	12521350/0	4	Washer	
37	12155000/0	2	Nut	
38	25510069/0	2	Pin	
39	12295200/0	4	Nut	
40	12156602/0	2	Nut	
41	25670008/1	4	Washer	
42	24487998/0	2	Cotter Pin	
43	82000477/2	2	Connecting Rod	
44	25510055/0	2	Pin	
45	12521350/0	2	Washer	
46	12155000/0	2	Nut	
47	12155000/0	2	Nut	
48	12293200/0	2	Nut	
49	25318153/1	2	Rear Lever	
50	12609255/0	2	Seeger	
51	325318223/0	2	Lever	
52	25510048/0	2	Pin	
53	25670011/0	4	Washer	
54	12436050/0	2	Plate	
55	25510056/0	2	Pin	
56	25670008/1	4	Washer	
57	12156602/0	2	Nut	
58	12794985/0	2	Screw (Mod. 122)	
59	12295200/0	2	Nut	
60	25510070/0	2	Pin	
61	12523090/0	2	Washer	
62	24487998/0	2	Cotter Pin	
63	25510053/1	1	Pin	
64	25510048/0	1	Pin	
65	25670011/0	2	Washer	
66	12436050/0	2	Plate	
67	12521350/0	2	Washer	

### Cutting Plate





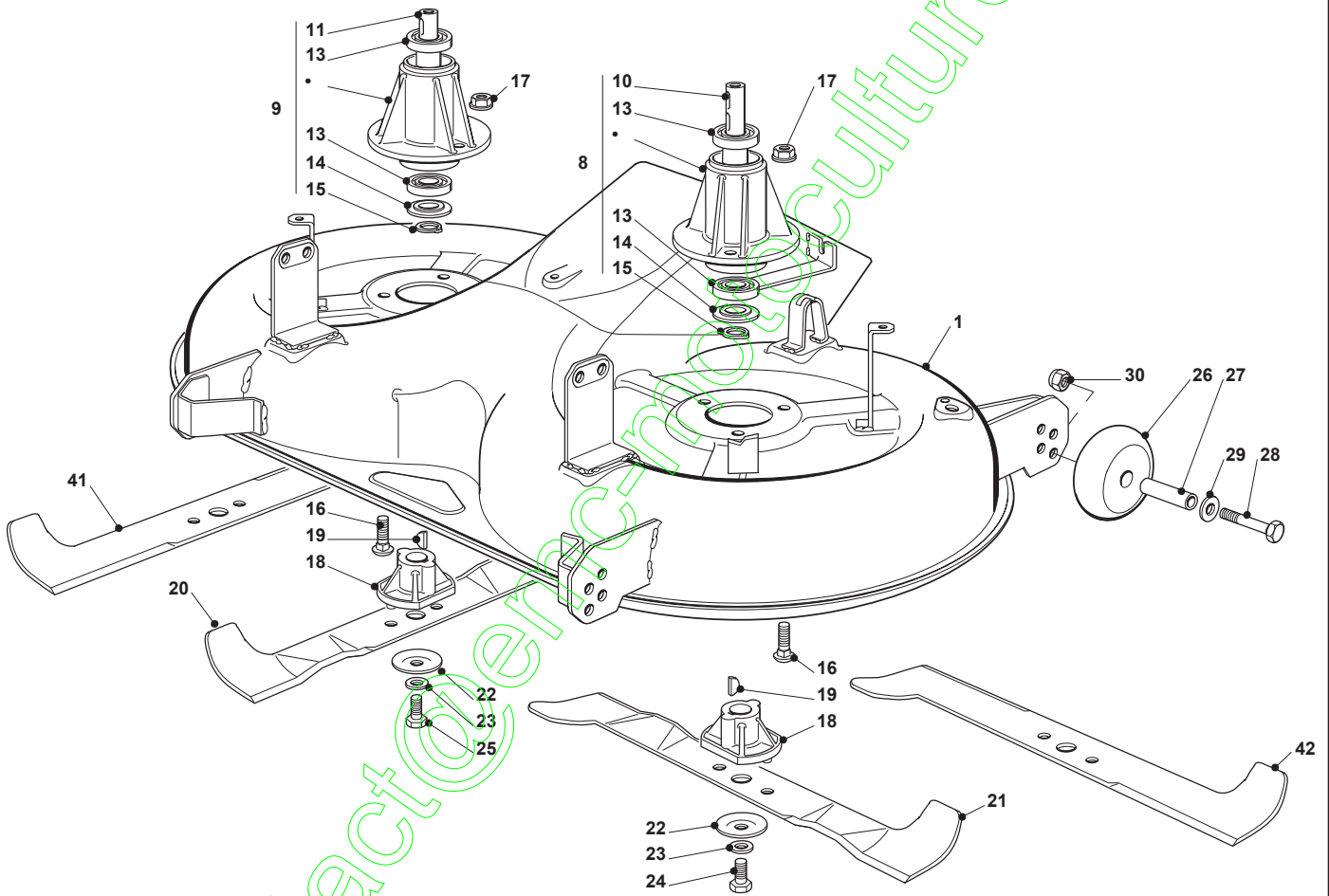
XHX 24 - Model Year 2009

**Cutting Plate**

Pos.	Part no.	Q.ty	Description	Remarks
1	82547005/1	1	Plate (Mod. 122)	
2	12792611/0	4	Screw	
3	12293201/0	4	Nut	
4	82785084/1	1	Support	
5	25601561/0	2	Pulley (Mod. 122)	
6	19216033/1	2	Bearing	
7	12610800/0	2	Seeger	
8	12609200/0	2	Seeger	
9	25650037/0	1	Stiffening	
10	12793102/0	2	Screw	
11	12521350/0	2	Washer	
12	12583500/0	2	Grower	
13	25160003/0	4	Spacer	
14	25038000/0	4	Bushing	
15	12691700/0	1	Screw	
16	12691200/0	3	Screw	
17	12521350/0	4	Washer	
18	12155000/0	4	Nut	
19	12793900/0	1	Screw	
20	12293200/0	1	Nut	
21	25601562/0	2	Pulley (Mod. 122)	
22	12139480/0	3	Key	
23	12793102/0	1	Screw	
24	25670007/0	1	Washer	
25	12583500/0	1	Grower	
26	35065601/0	1	Belt (Mod. 122)	
27	12815200/0	3	Screw	
28	12292102/0	3	Nut	
29	12523060/0	1	Washer	
30	25060101/2	1	Case (Mod. 122)	
31	12735110/0	6	Screw	
32	25601549/0	1	Pulley (Mod. 122)	
33	12793102/0	1	Screw	
34	25670007/0	1	Washer	
35	12583500/0	1	Grower	
36	25160002/0	1	Spacer	
37	25318119/0	1	Brake Lever (Mod. 122)	
38	12793102/0	1	Screw	
39	12583500/0	1	Grower	
40	12523070/0	1	Washer	
41	25601555/0	1	Pulley	
42	25160007/0	1	Spacer	
43	12818900/0	1	Screw	
44	12523060/0	1	Washer	
45	12155000/0	1	Nut	
46	35062812/0	1	Belt (Mod. 122)	
47	82004609/0	1	Wire (Mod. 122)	

contact@emc-motoculture.com

Cutting Plate



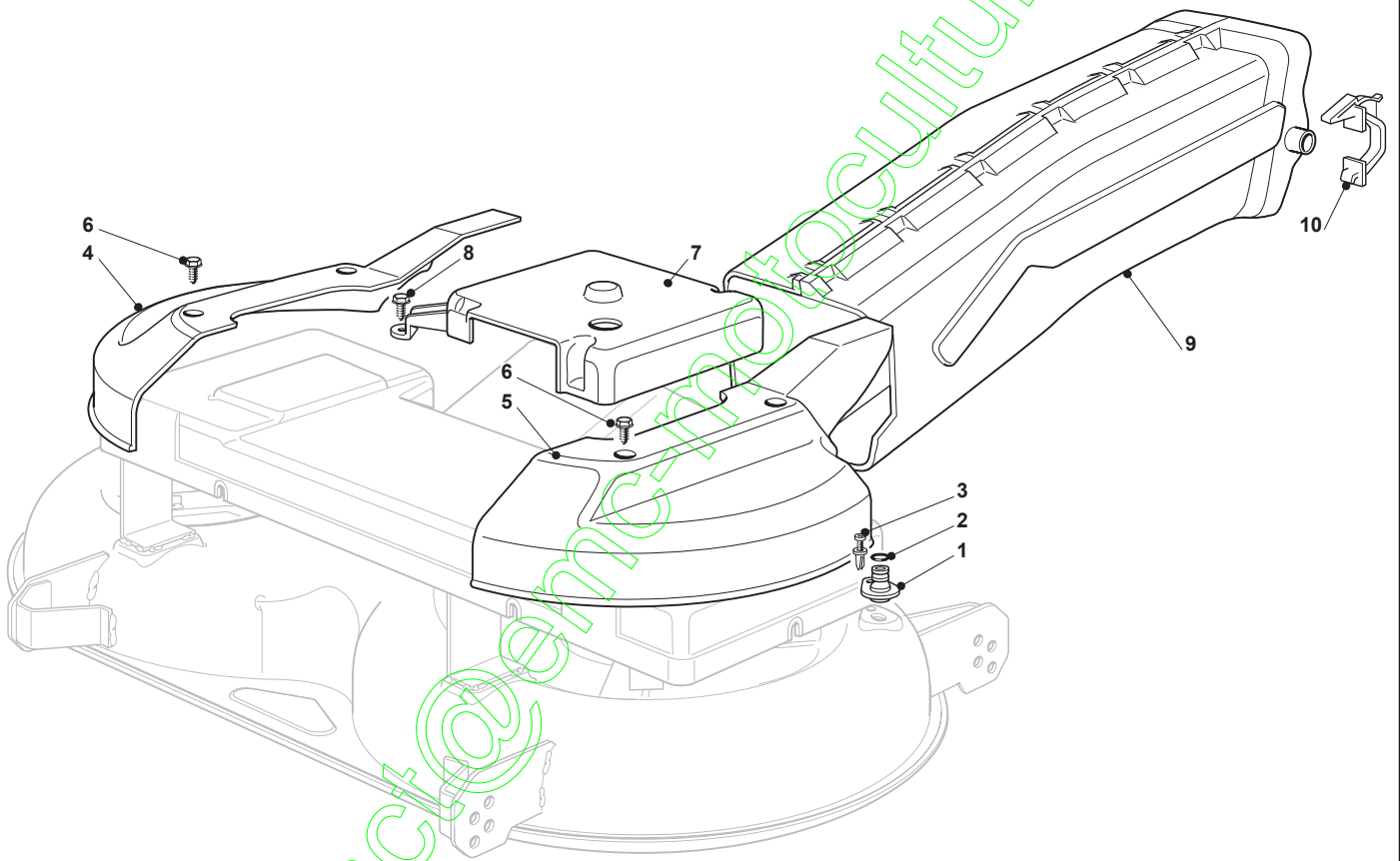


XHX 24 - Model Year 2009

**Cutting Plate**

Pos.	Part no.	Q.ty	Description	Remarks
1	382564025/2	1	Cutting Plate Black	
8	82207200/1	1	Main Shaft Support	
9	82207201/2	1	Secondary Shaft Support	
10	25020800/1	1	Main Blade Shaft	
11	25020801/2	1	Secondary Blade Shaft	
13	19216032/0	4	Bearing	
14	25160501/0	2	Dust Cover	
15	12609260/0	2	Seeger	
16	12818700/0	6	Screw	
17	12154210/0	6	Nut	
18	25463200/0	2	Blade Hub	
19	12139100/0	2	Key	
20	82004350/0	1	Right Blade Mulching, Winged	
21	82004349/0	1	Left Blade Mulching, Winged	
22	22160400/0	2	Elastic Washer	
23	12523080/0	2	Washer	
24	12735694/0	1	Screw	
25	12735695/1	1	Screw	
26	82700001/0	4	Anti Scalp Wheel R 100	
27	25510072/0	4	Spacer	
28	12692050/0	4	Screw	
29	12523060/0	4	Washer	
30	12293201/0	4	Nut	
41	82004343/0	1	Right Blade, Winged	
42	82004342/0	1	Left Blade, Winged	

contact@emc-motoculture.com





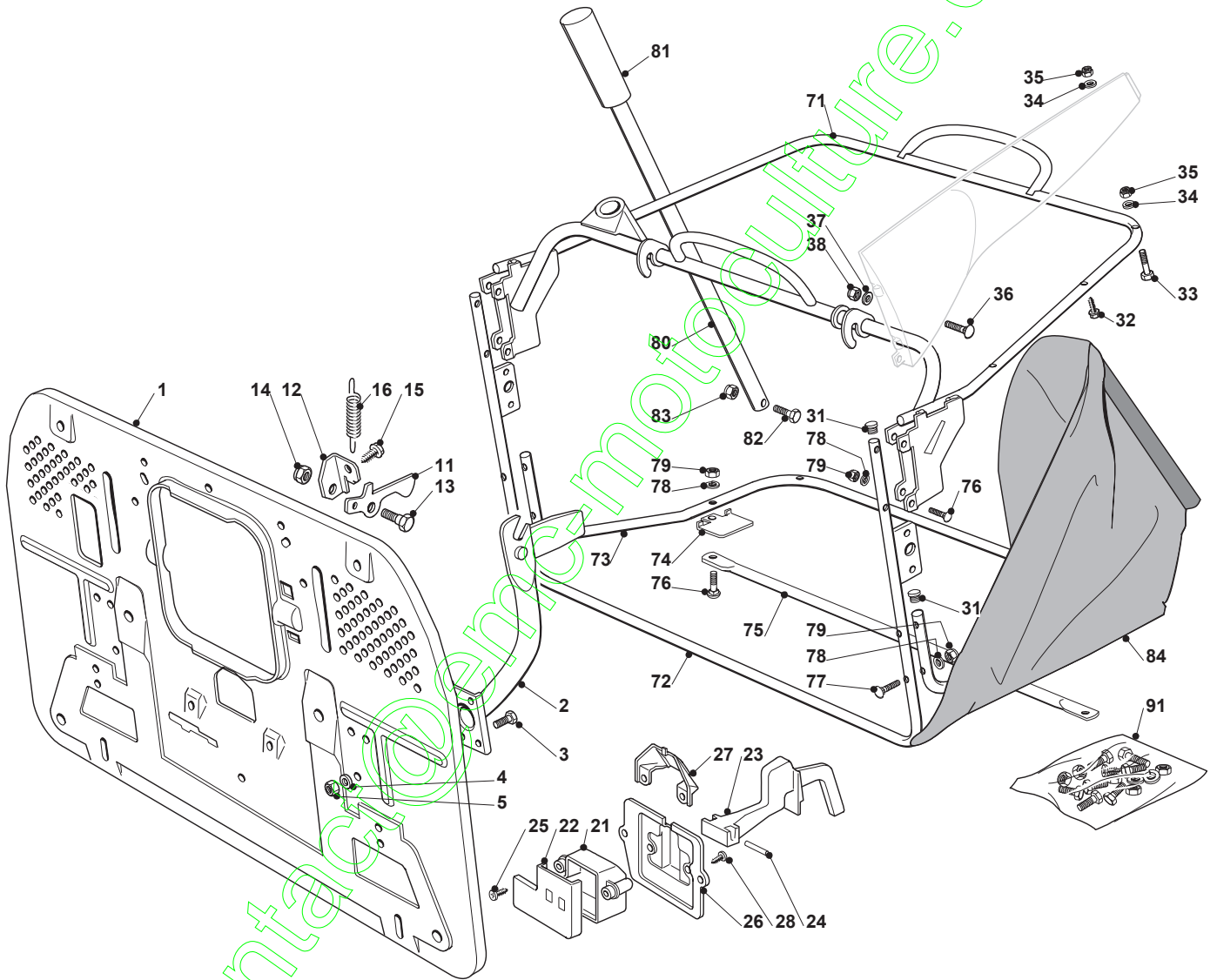


XHX 24 - Model Year 2009

### Guards And Conveyor

Pos.	Part no.	Q.ty	Description	Remarks
1	25033060/0	2	Water Hose Connection	
2	19035000/0	2	O Ring	
3	12500030/0	2	Rivet	
4	25060104/0	1	Guard Black	
4	25060113/0	1	Guard Grey	
5	25060105/0	1	Guard Black	
5	25060114/0	1	Guard Grey	
6	12735403/0	4	Screw	
7	25600050/0	1	Guard (Mod. 122)	
8	12735403/0	3	Screw	
9	382108019/0	1	Conveyor (Mod. 122)	
10	25774373/0	2	Clamp	

contact@emc-motoculture.com



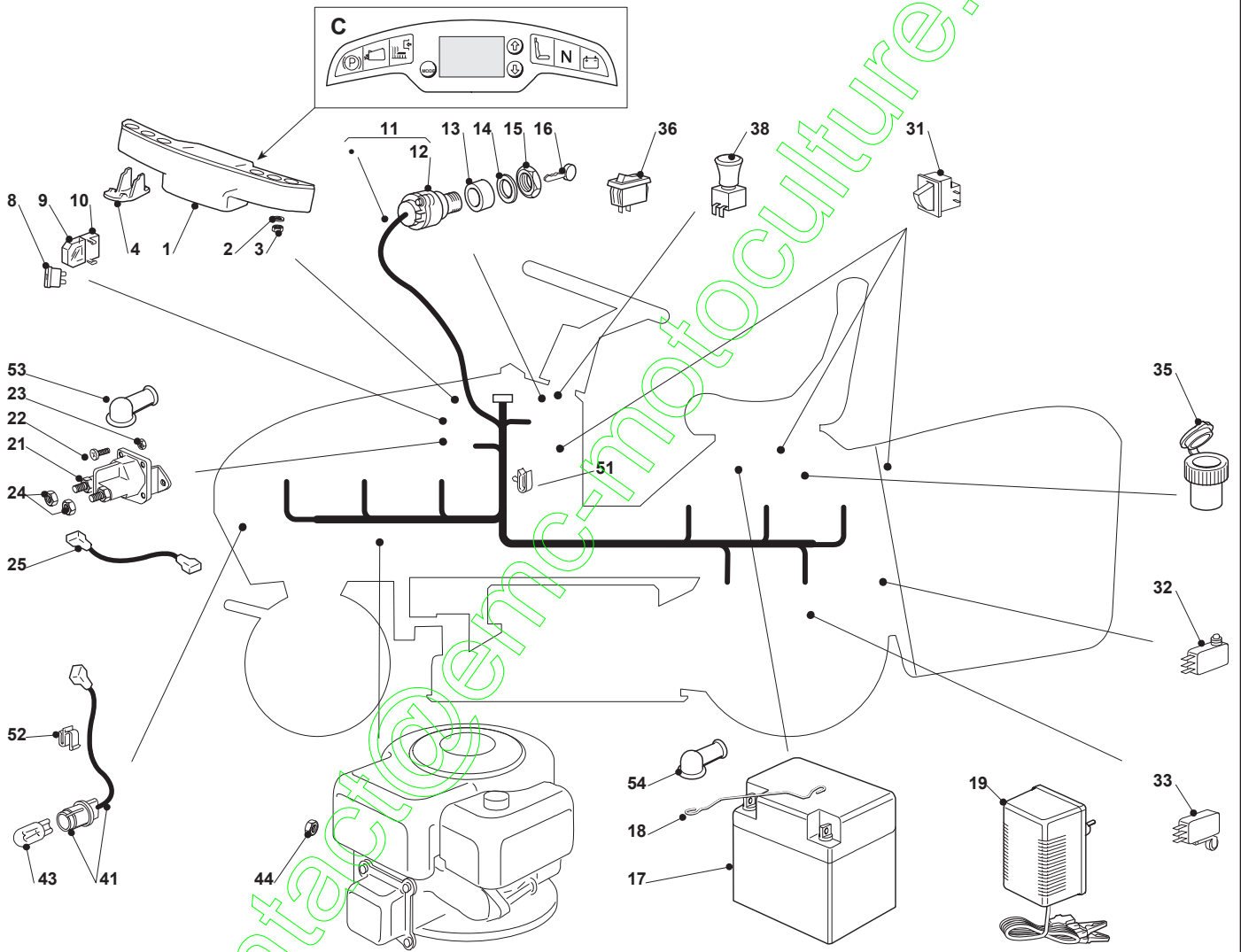


XHX 24 - Model Year 2009

**Grasscatcher**

Pos.	Part no.	Q.ty	Description	Remarks
1	382547051/0	1	Plate	
2	82774225/1	2	Support	
3	12793102/0	6	Screw	
4	12523060/0	6	Washer	
5	12293201/0	6	Nut	
11	325774417/0	1	Clamp	
12	25755031/0	1	Bracket	
13	25510080/0	1	Pin	
14	12292102/0	1	Nut	
15	12735122/0	1	Screw	
16	25430220/0	1	Spring	
21	25600041/0	1	Micro Protection	
22	25600042/0	1	Protection Cover	
23	25318124/0	1	Lever	
24	12400030/0	1	Pin	
25	12728510/0	1	Screw	
26	25785272/0	1	Micro Protection	
27	25600048/0	1	Protection Cover	
28	12728450/0	2	Screw	
31	18566110/0	4	Cap	
32	12735410/0	4	Screw	
33	12689500/0	2	Screw	
34	12521330/0	4	Washer	
35	12154510/0	4	Nut	
36	12815220/0	2	Screw	
37	12521330/0	2	Washer	
38	12154510/0	2	Nut	
71	82800079/0	1	Upper Frame	
72	82800089/0	1	Front Frame	
73	325800029/0	1	Lower Frame	
74	25547131/0	1	Plate	
75	382650039/0	1	Lower Stiffening	
76	12815220/0	6	Screw	
77	12815245/0	4	Screw	
78	12521330/0	10	Washer	
79	12154510/0	10	Nut	
80	25869029/1	1	Rod	
81	25394508/0	1	Handle	
82	12674550/0	1	Screw	
83	12154510/0	1	Nut	
84	182105961/0	1	Grasscatcher	
91	382180037/3	1	Screws Outfit (*)	

contact@emc-motoculture.com



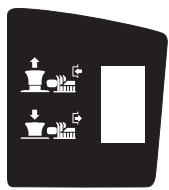


XHX 24 - Model Year 2009

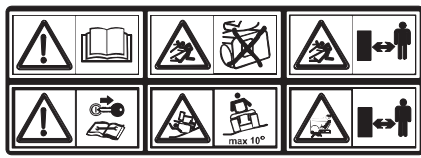
**Electrical Parts**

Pos.	Part no.	Q.ty	Description	Remarks
1	82722423/1	1	Cards + Guards (C)	
2	12521320/0	2	Washer	
3	12154330/0	2	Nut	
4	25031501/0	1	Deflector	
8	33340036/0	1	Fuse 25 A	
8	33340040/0	1	Fuse 10 A	
9	33215000/0	2	Cover	
10	33500007/0	2	Fuse Carrier	
11	182040149/0	1	Cables Ass.Y	
12	18450072/0	1	Starting Switch	
13	18550136/0	1	Spacer	
14	18550135/0	1	Washer	
15	18400862/0	1	Ringnut	
16	18210022/0	1	Starting Key	
17	18120002/1	1	Battery	
18	25430230/0	1	Spring	
19	82180050/0	1	Battery Charger	
19	82180052/0	1	Battery Charger (U.K.)	for UK
21	18736111/0	1	Starter Relay	
22	12791011/0	2	Screw	
23	12292102/0	2	Nut	
24	12360352/0	2	Nut	
25	25065002/0	1	Cable	
31	19410606/0	3	Micro	
32	19410605/1	1	Full Grasscat. Microsw.	
33	19410609/0	1	Neutral Switch	
35	9400-0317-01	1	Auxiliary Accessory Socket	
36	18450060/1	1	Farilamp Switch	
38	18450068/0	1	Clutch Switch	
41	82040073/0	1	Cable	
43	18459100/0	2	Farilamp For Lights	
44	12361005/0	1	Nut	
51	33320506/0	5	Fairled	
52	33320504/0	1	Fairled	
53	18564861/1	1	Protection	
54	18564864/1	1	Protection	

contact@emc-motoculture.com



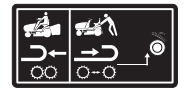
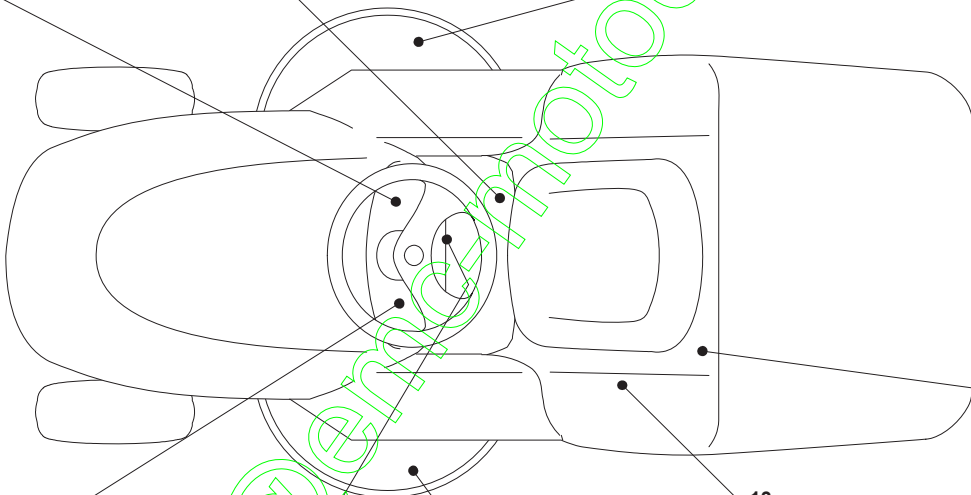
18



1



10



19



16



8



10



17



13

contact@energy-motoculture.com

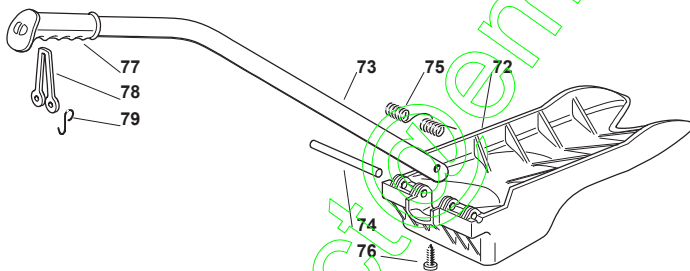
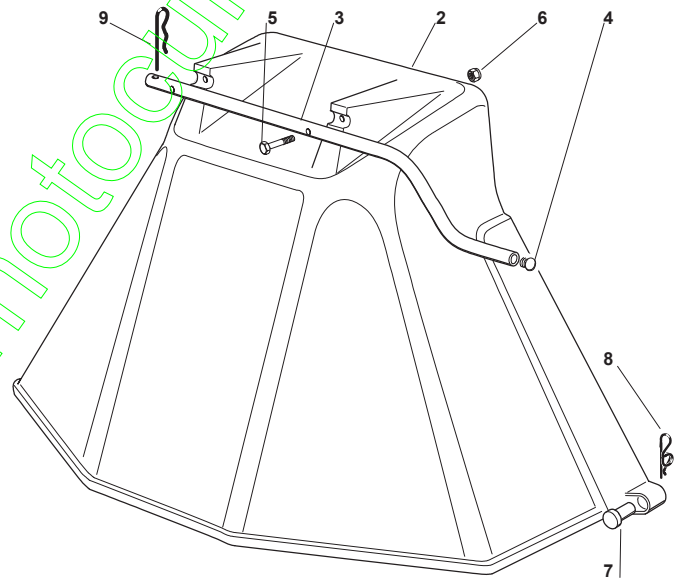
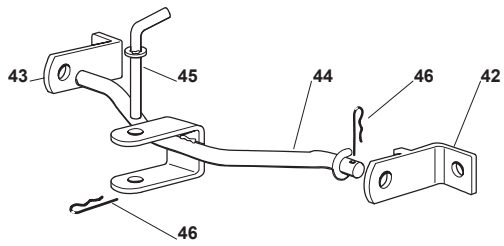


XHX 24 - Model Year 2009

### Labels

Pos.	Part no.	Q.ty	Description	Remarks
1	14361553/0	1	Label	
10	114356699/1	2	Label	
13	14357913/0	1	Label	
16	14360716/0	1	Label	
17	114363414/0	1	Label	
18	14360715/2	1	Label	
19	114363429/0	1	Label (H)	

contact@enc-motoculture.com



contact@emc-motoculture.com





XHX 24 - Model Year 2009

### Optionals On Request

Pos.	Part no.	Q.ty	Description	Remarks
2	82400003/1	1	Ejection Guard	
3	25869043/0	1	Support	
4	18566110/0	2	Cap	
5	12689515/0	2	Screw	
6	12154510/0	2	Nut	
7	25510022/0	2	Pin	
8	24487998/0	2	Cotter Pin	
9	24487999/0	1	Cotter Pin	
42	82735502/0	1	Bracket Right Hitch Support	
43	25774213/0	1	Bracket Left Hitch Support	
44	382033105/1	1	Rod	
45	25510021/1	1	Pin	
46	24487999/0	2	Cotter Pin	
72	25140092/0	1	Deflector (Mod. 122)	
73	325394019/0	1	Handle	
74	25510077/0	1	Pin (Mod. 122)	
75	25430245/0	1	Spring (Mod. 122)	
76	12735405/0	1	Screw (Mod. 122)	
77	25280000/1	1	Handgrip	
78	25840011/1	1	Elastic Tie-Rod	
79	25253004/0	2	Hook	

contact@emc-motoculture.com