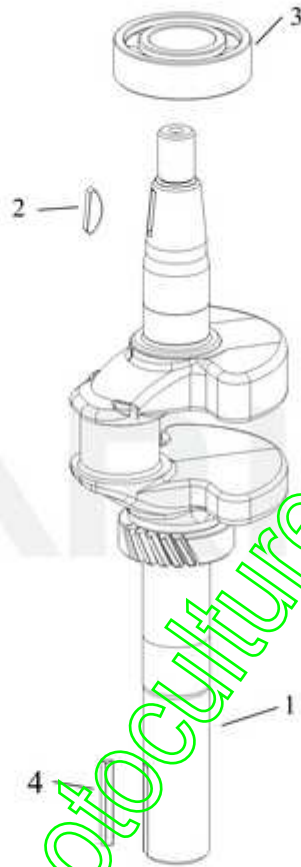


XT675-3045 Marina Systems - 01 CrankShaft

GROUP 1-CRANKSHAFT  
XT675



ILLUSTRATIONS ARE REPRESENTATIVE - NOT INTENDED TO SHOW ALL DETAILS

[www.emc-motoculture.com](http://www.emc-motoculture.com)

Ref #	Part #	Description	Qty	Context Note
1	14 014 145-S	CRANKSHAFT ASSEMBLY	1	
2	14 340 01-S	KEY, FLYWHEEL	1	

[www.emc-motoculture.com](http://www.emc-motoculture.com)

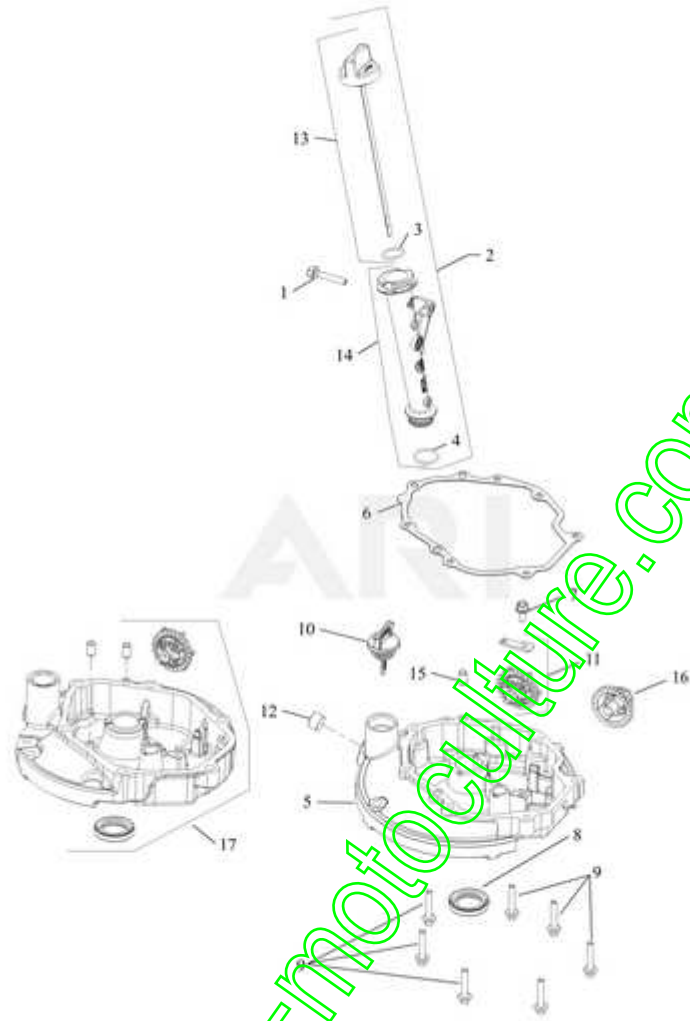


Ref #	Part #	Description	Qty	Context Note
1	25 086 159-S	SCREW, HEX FLANGE (M6)-USE 25 086 433-S	14	
2	14 096 22-S	COVER, BREATHER - (#14096125S)	1	
3	14 050 01-S	KIT, BREATHER FILTER	3	
4	14 032 02-S	SEAL, CCASE/FLYWHEEL	1	
5	14 468 07-S	WASHER, FLAT (DIA 13MM O.D.)-(#1446830S)	1	
7	14 154 01-S	CLIP, GOVERNOR SHAFT	1	
8	14 010 09-S	CAMSHAFT ASSEMBLY	1	Before S/N 4920400011
10	14 108 05-S	RING SET (SERVICE) (XT149)	2	
11	14 874 07-S	PISTON ASSEMBLY (SERVICE)	1	
12	14 018 11-S	RETAINER, PISTON PIN	2	
13	14 067 02-S	ROD, CONNECTING ASSEMBLY	1	
14	14 561 14-S	CRANKCASE	1	
15	14 041 30-S	GASKET, BREATHER COVER	1	
16	25 086 150-S	SCREW, HEX FLANGE (M7)	2	
NI	14 010 19-S	CAMSHAFT, ASSEMBLY	1	After S/N 4920400001

www.emc-motoculture.com

# XT675-3045 Marina Systems - 03 Lubrication

GROUP 3-LUBRICATION  
XT675



ILLUSTRATIONS ARE REPRESENTATIVE - NOT INTENDED TO SHOW ALL DETAILS

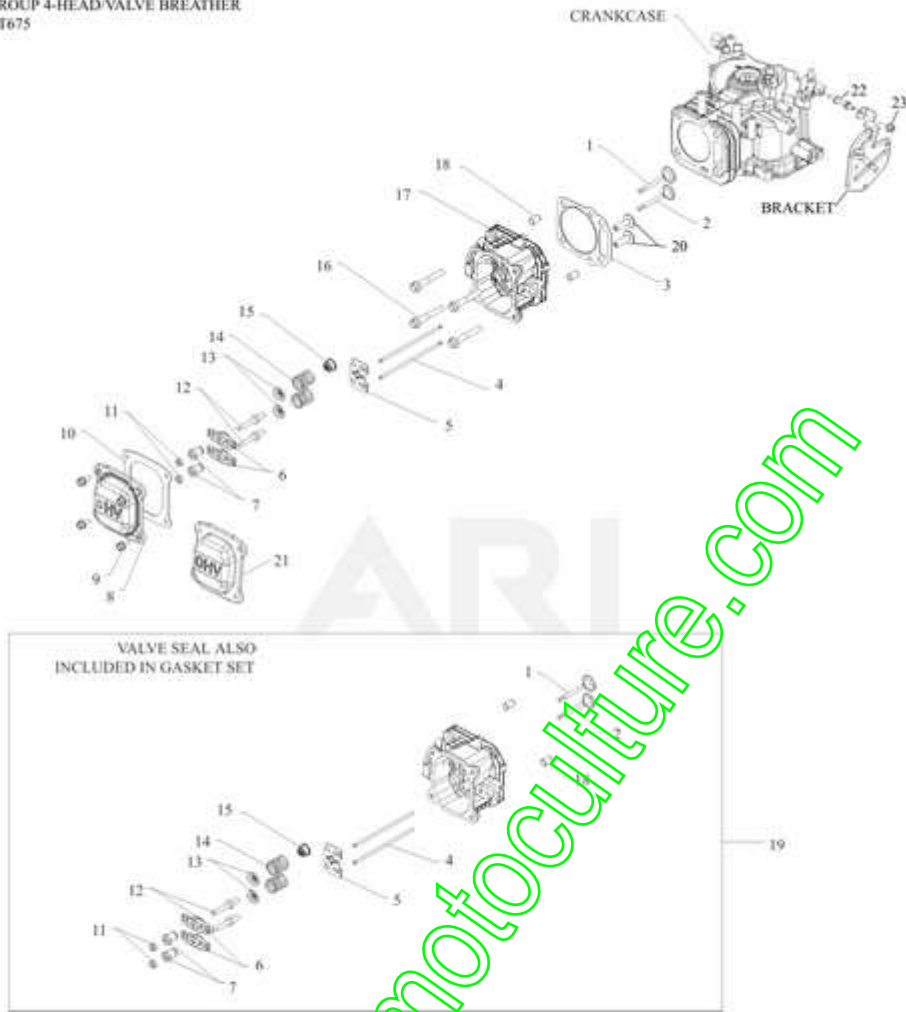
[www.emc-motoculture.com](http://www.emc-motoculture.com)

Ref #	Part #	Description	Qty	Context Note
1	25 086 145-S	SCREW, HEX FLANGE (M6)-(#25086435S)	1	
2	14 123 13-S	KIT, DIPSTICK AND TUBE-(#1412320S)	1	Before S/N 4923100011
2	14 123 31-S	TUBE ASSEMBLY OIL FILL	1	After S/N 4923100001
3	14 153 05-S	O-RING (CAP)	1	
4	14 153 03-S	O-RING, OIL FILL TUBE	1	
5	14 199 25-S	KIT, OIL PAN	1	
8	14 032 07-S	OIL SEAL	1	
9	25 086 293-S	SCREW, HEX FLANGE (M6)-(#25086434S)	7	
11	14 310 02-S	GEAR ASSEMBLY, GOVERNOR	1	
13	14 227 22-S	CAP, DIPSTICK ASSEMBLY	1	
14	14 123 26-S	TUBE ASSEMBLY, OIL FILL	1	
15	14 380 05-S	PIN, DOWEL (8MM)	2	
16	17 310 01-S	GOVERNOR ASSEMBLY-USE 17 310 08-S	2	

[www.emc-motoculture.com](http://www.emc-motoculture.com)

# XT675-3045 Marina Systems - 04 CylinderHead/Breather

GROUP 4-HEAD/VALVE BREATHER  
XT675



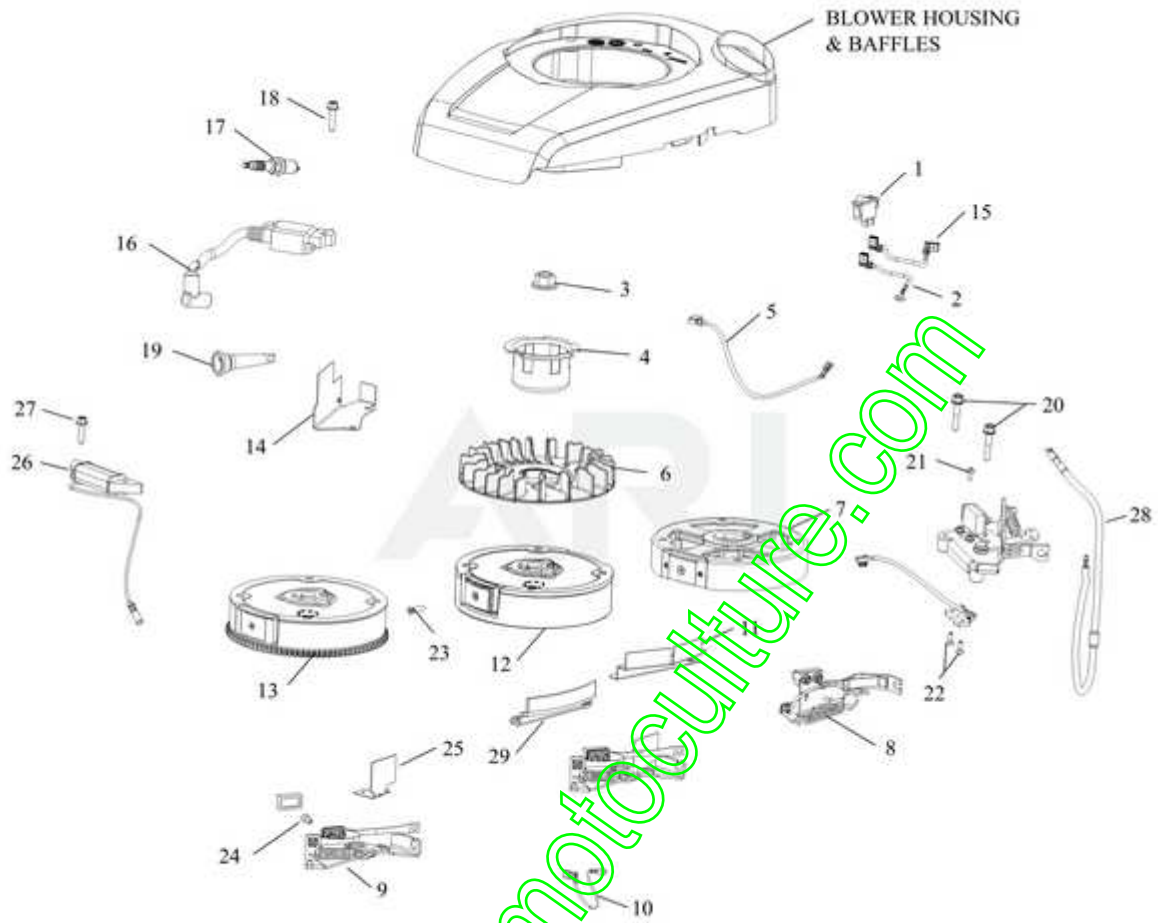
Ref #	Part #	Description	Qty	Context Note
1	14 017 02-S	VALVE INTAKE	1	
2	14 016 04-S	VALVE, EXHAUST	1	
3	14 841 15-S	KIT HEAD GASKET	1	
4	14 411 03-S	ROD, PUSH	2	
5	14 146 06-S	PLATE, PUSHROD GUIDE	1	
6	14 186 02-S	ARM, ROCKER	2	
7	14 599 01-S	PIVOT, ROCKER ARM	2	
11	14 100 01-S	NUT, HEX JAM	2	
12	14 072 02-S	STUD, ROCKER ARM-USE 14 072 22-S	2	
13	14 018 02-S	RETAINER, VALVE SPRING	2	
14	14 089 02-S	SPRING, VALVE	2	
15	14 032 08-S	SEAL, VALVE STEM	1	
16	25 086 140-S	SCREW, HEX FLANGE M8	4	
17	14 318 09-S	HEAD, CYLINDER	1	
18	14 380 06-S	DOWEL, CYLINDER HEAD-(#1438013S)	2	
19	14 755 11-S	KIT, VALVE TRAIN	2	
20	14 351 01-S	LIFTER, VALVE	2	
21	14 096 130-S	COVER, VALVE	1	

www.emc-motoculture.com



# XT675-3045 Marina Systems - 05 Ignition/Charging

GROUP 5-IGNITION  
XT675



ILLUSTRATIONS ARE REPRESENTATIVE - NOT INTENDED TO SHOW ALL DETAILS

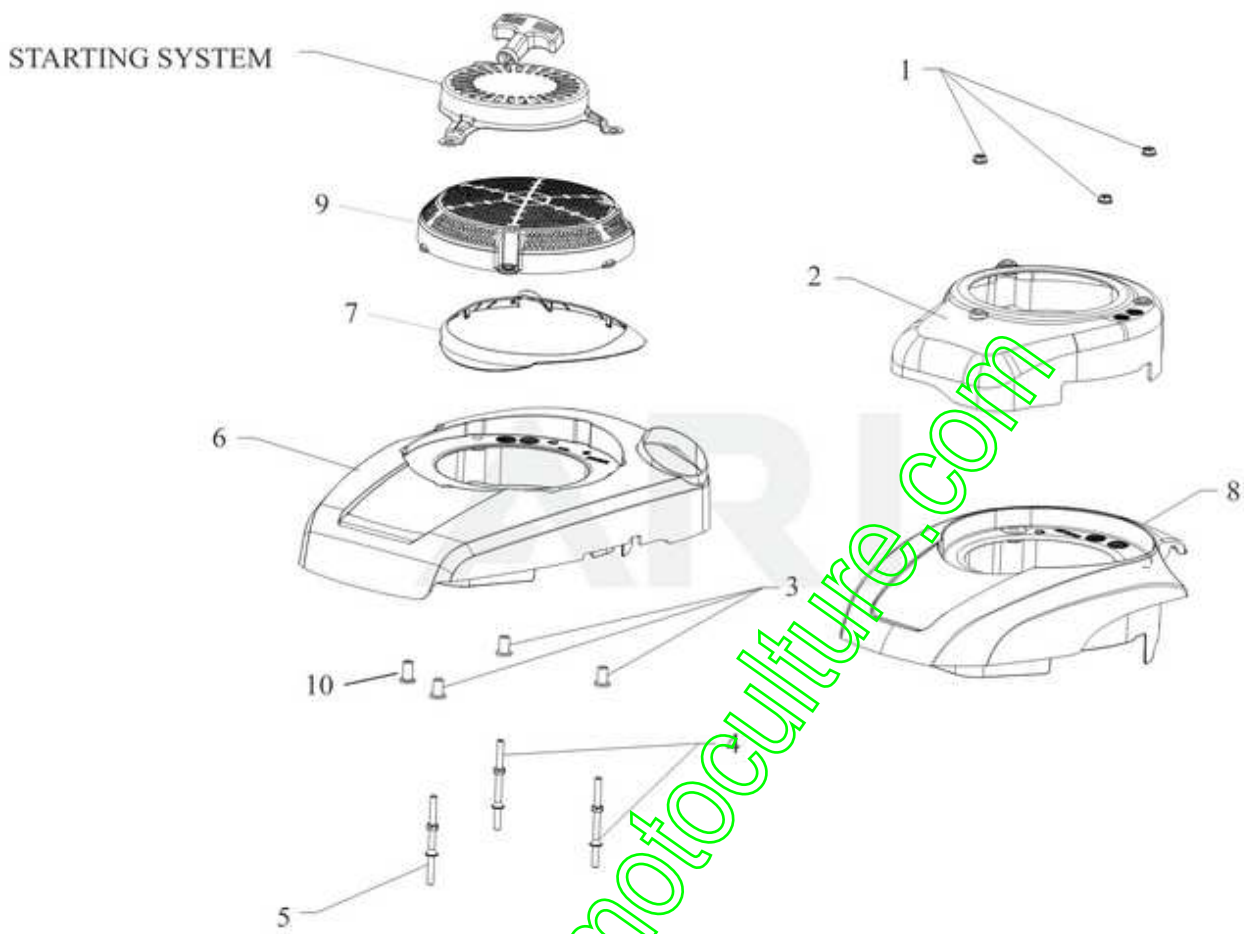
www.emc-motoculture.com

<b>Ref #</b>	<b>Part #</b>	<b>Description</b>	<b>Qty</b>	<b>Context Note</b>
3	14 100 10-S	NUT, FLYWHEEL (W/SERRATIONS)	1	
4	14 109 04-S	CUP, STARTER DRIVE	1	
6	17 157 06-S	FAN, FLYWHEEL	1	
7	14 025 12-S	FLYWHEEL ASSEMBLY	1	
10	14 518 29-S	LEAD, KILL (BRAKE TO IGN. MODULE)	1	
14	14 314 25-S	GUARD, FINGER	1	
16	14 584 04-S	MODULE IGN (#1458416S)	1	
17	14 132 11-S	PLUG SPARK 12MM RFI	1	

[www.emc-motoculture.com](http://www.emc-motoculture.com)

XT675-3045 Marina Systems - 06 Blower Housing

GROUP 6-BLOWER HOUSING  
XT675



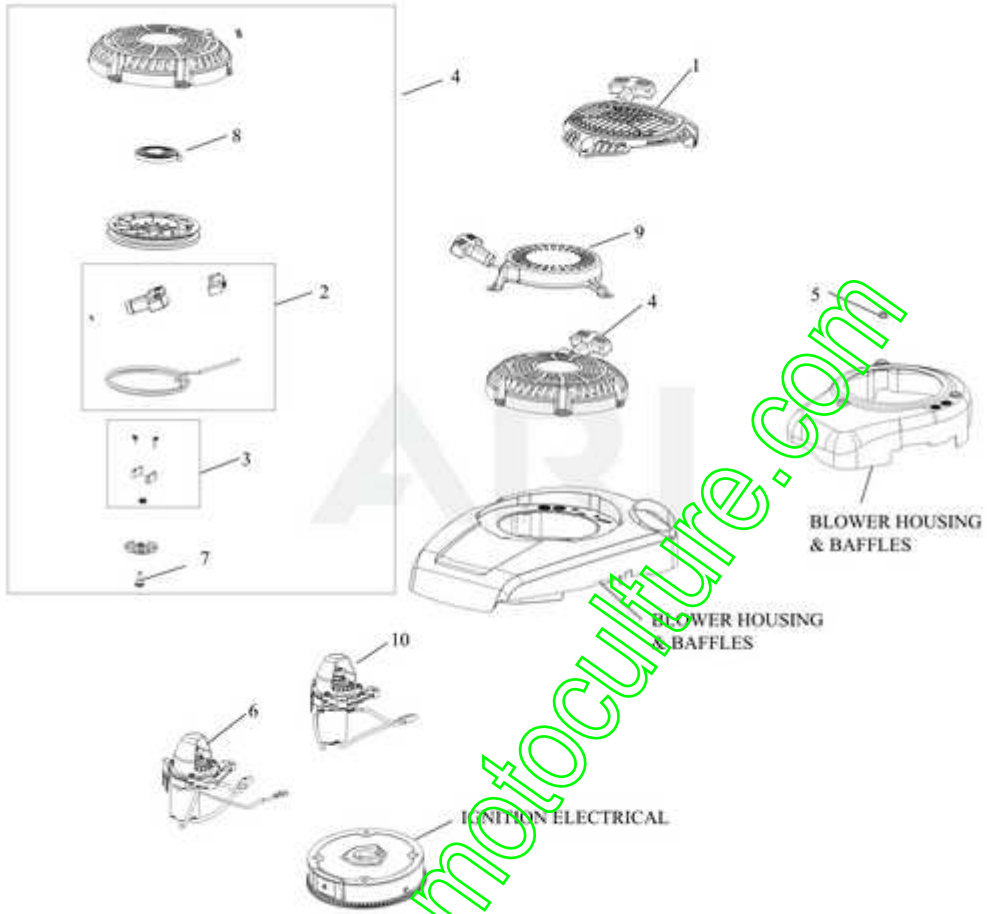
ILLUSTRATIONS ARE REPRESENTATIVE - NOT INTENDED TO SHOW ALL DETAILS

Ref #	Part #	Description	Qty	Context Note
1	14 100 08-S	NUT, HEX FLANGE (M6) - USE 14 100 16-S	8	
3	14 112 07-S	SPACER	3	
4	14 072 12-S	STUD-USE 14 072 26-S	2	
5	14 072 13-S	STUD-USE 14 072 25-S	1	
6	14 096 122-S	COVER, ENGINE	1	
NI	14 314 17-S	GUARD, BRAKE - USE 14 314 30-S	1	

[www.emc-motoculture.com](http://www.emc-motoculture.com)

# XT675-3045 Marina Systems - 07 Starting

GROUP 7-STARTER  
XT675



ILLUSTRATIONS ARE REPRESENTATIVE - NOT INTENDED TO SHOW ALL DETAILS

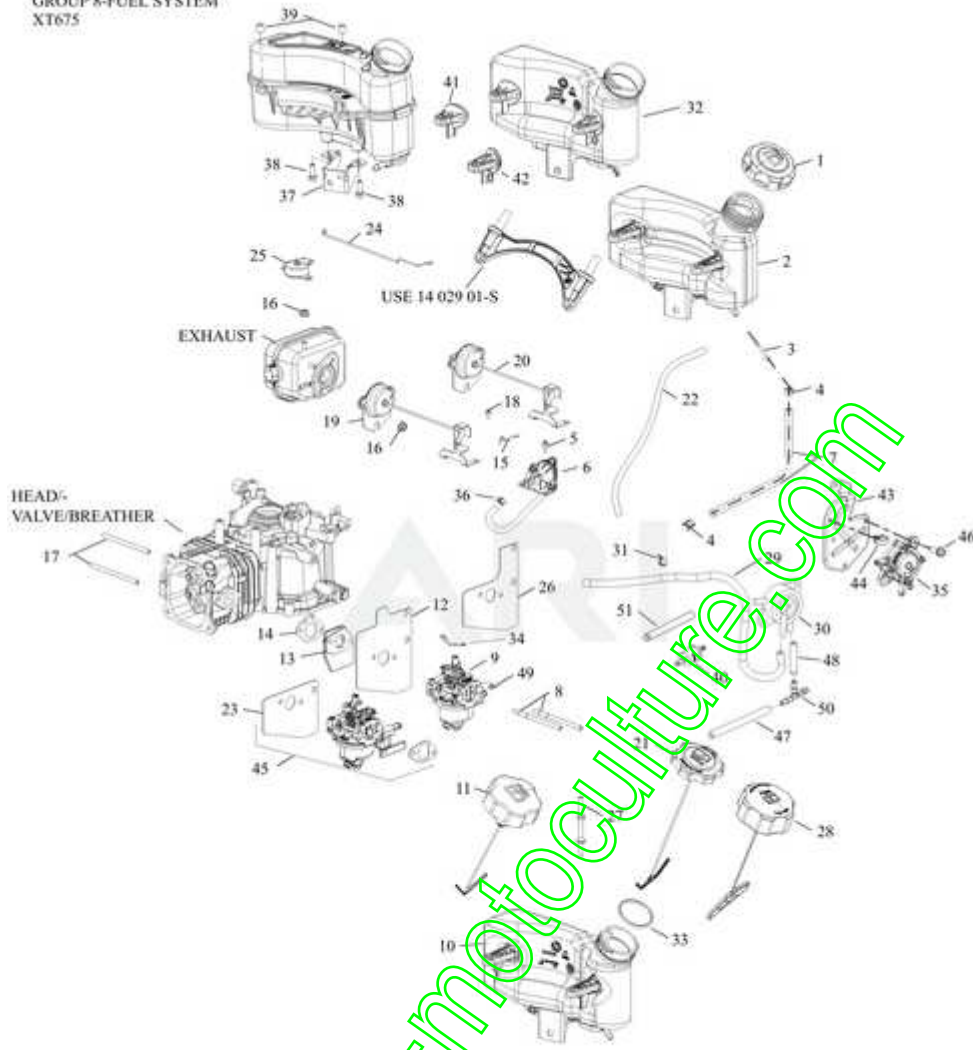
www.emc-motoculture.com

Ref #	Part #	Description	Qty	Context Note
1	14 165 20-S	STARTER ASSEMBLY, RETRACT	1	
2	14 160 01-S	KIT, STARTER ROPE W/HANDLE	1	
3	14 379 01-S	KIT, PAWL REPAIR	1	

[www.emc-motoculture.com](http://www.emc-motoculture.com)

# XT675-3045 Marina Systems - 08 Fuel System

GROUP 8-FUEL SYSTEM  
XT675



ILLUSTRATIONS ARE REPRESENTATIVE - NOT INTENDED TO SHOW ALL DETAILS

www.emc-motoculture.com

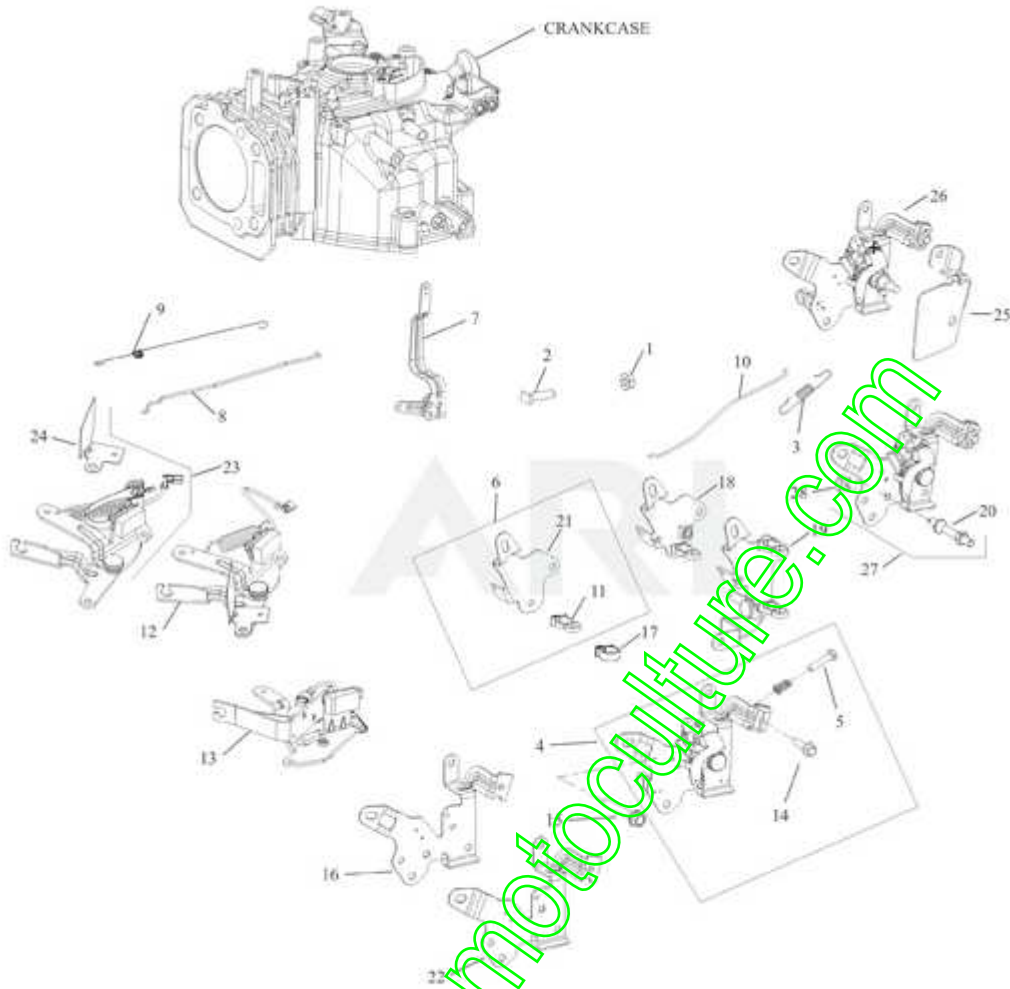
Ref #	Part #	Description	Qty	Context Note
1	14 227 11-S	CAP, FUEL ASSEMBLY	1	
2	14 065 62-S	FUEL TANK KIT	1	
3	14 050 14-S	FILTER, FUEL IN-NIPPLE	1	
4	14 237 07-S	CLAMP, HOSE (NON-CALIF)(#1423710S)	2	
7	25 111 69-S	HOSE, FUEL LOW-PERMEATION (CKY)	1	
8	14 072 23-S	STUD,M6X1.0X100.2MM	2	
9	14 853 55-S	KIT,CARB (HUAYI)	1	Before S/N 4327600011
9	14 853 68-S	KIT,CARB (HUAYI) 12MM A. C	1	After S/N 4327600001
13	14 112 27-S	SPACER, CARBURETOR	1	
14	14 041 16-S	GASKET, SPACER - USE 14 041 24-S	1	
15	14 079 25-S	LINKAGE, WIRE CHOKE	1	
18	25 086 277-S	SCREW, M4 THRD FRMNG-(#25086439S)	2	
19	14 187 14-S	ARM ASSEMBLY, AUTO CHOKE	1	
23	14 041 31-S	KIT, CARBURETOR HEAT SHIELD GASKET	1	
NI	14 755 30-S	KIT, HIGH ALTITUDE (4,000-8000 FT)	1	
NI	14 757 03-S	KIT, CARBURETOR REPAIR (RUIXING)	1	

www.emc-motoculture.com



# XT675-3045 Marina Systems - 09 Engine Controls

GROUP 9-ENGINE CONTROLS  
XT675



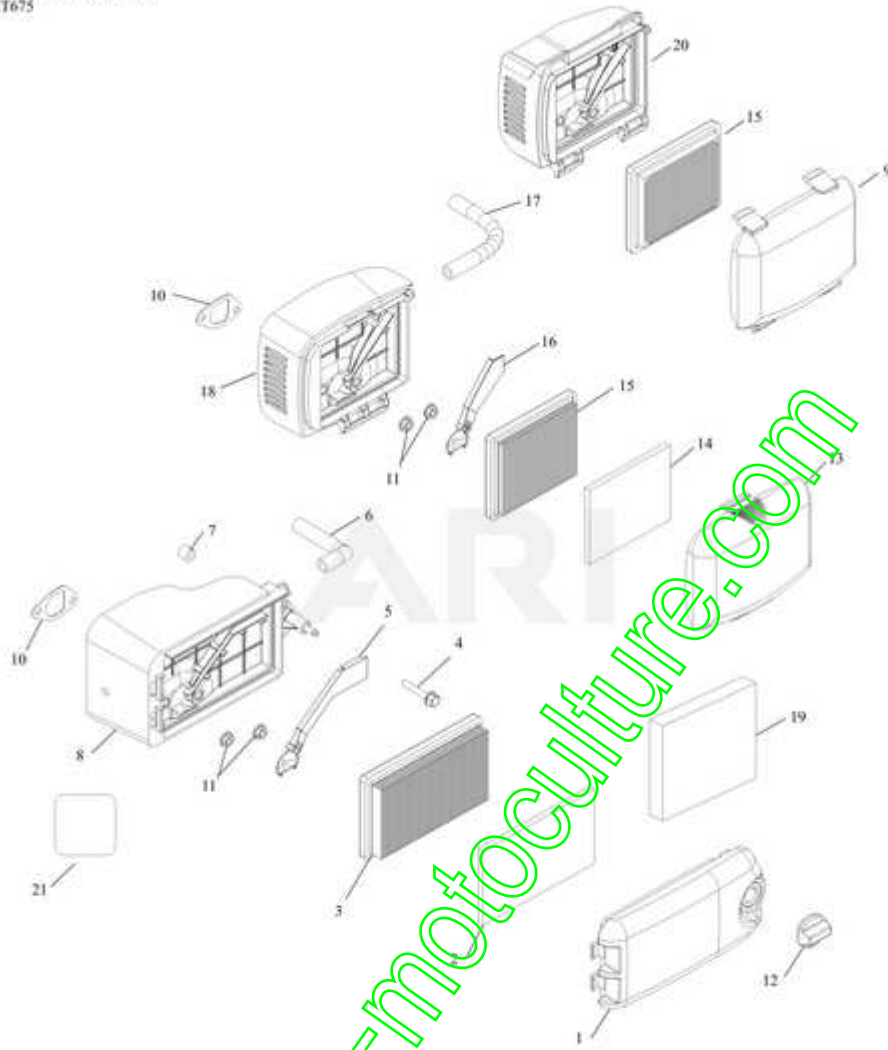
ILLUSTRATIONS ARE REPRESENTATIVE - NOT INTENDED TO SHOW ALL DETAILS

Ref #	Part #	Description	Qty	Context Note
2	25 086 166-S	SCREW, RECTANGLE HEAD (M6)	1	
3	14 089 14-S	SPRING, GOV (2800-3300 RPM)	1	
4	14 536 08-S	CONTROL ASSEMBLY (VAR. SPEED)	1	
5	25 086 186-S	SCREW, M6 X 25-(#25086436S)	1	
7	14 090 18-S	KIT GOVERNOR LEVER-(#1409033S)	1	
8	14 079 20-S	LINKAGE, GOVERNOR-(#1407927S)	1	
9	14 089 63-S	SPRING, LINKAGE	1	
12	14 219 21-S	BRAKE ASSEMBLY	1	
14	25 086 232-S	SCREW, (M5) HEX FLANGE	2	
15	25 086 307-S	SCREW, HEX FLANGE (M6)	1	

[www.emc-motoculture.com](http://www.emc-motoculture.com)

# XT675-3045 Marina Systems - 10 Air Intake

GROUP 10-AIR INTAKE  
XT675



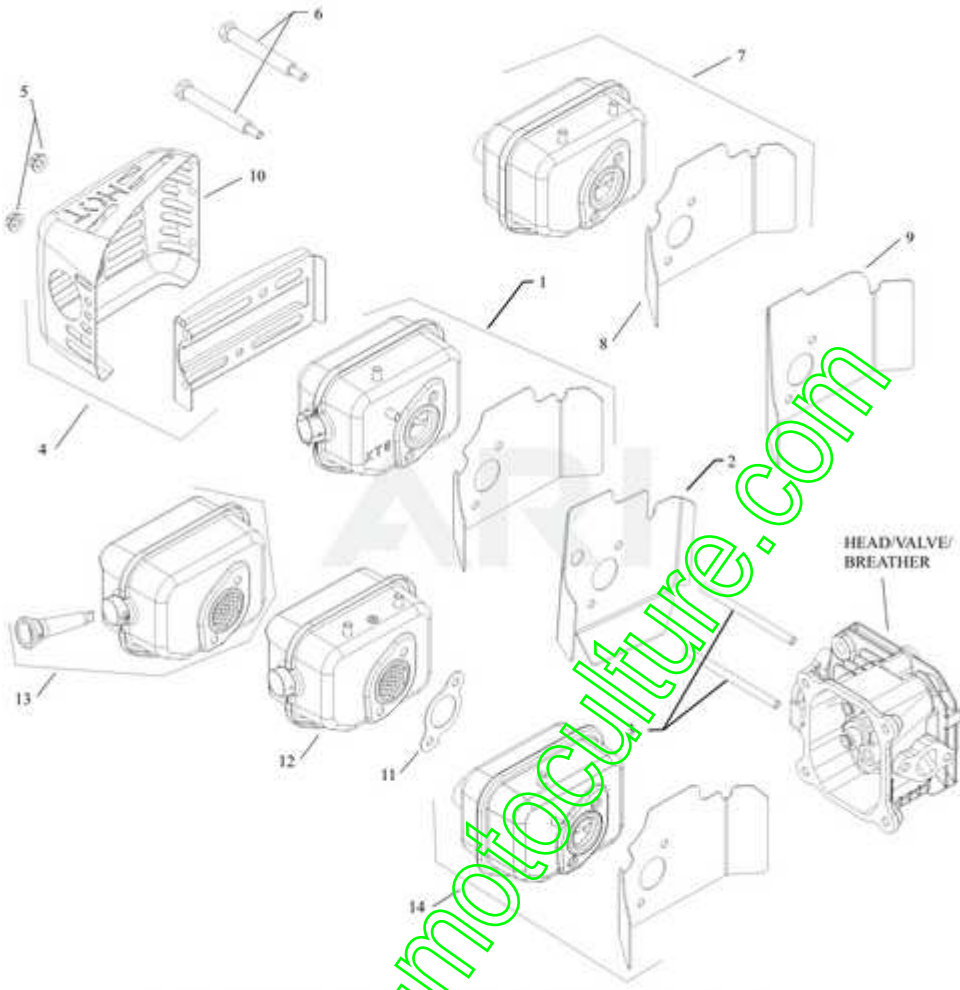
ILLUSTRATIONS ARE REPRESENTATIVE - NOT INTENDED TO SHOW ALL DETAILS

Ref #	Part #	Description	Qty	Context Note
1	14 096 110-S	COVER, AIR CLEANER	1	
3	14 083 19-S	ELEMENT, AIR FILTER	1	
5	14 096 51-S	COVER, A/C BASE (BREATHER GAS)	1	
6	14 123 05-S	HOSE, BREATHER	1	
7	14 112 19-S	SPACER, AIR CLEANER BASE	1	
8	14 094 13-S	AIR CLEANER BASE-USE 14 094 23-S	1	
10	17 041 03-S	KIT, INTAKE GASKET	2	
12	14 341 02-S	KNOB-USE 14 341 07-S	1	

[www.emc-motoculture.com](http://www.emc-motoculture.com)

# XT675-3045 Marina Systems - 11 Exhaust

GROUP 11-EXHAUST  
XT675



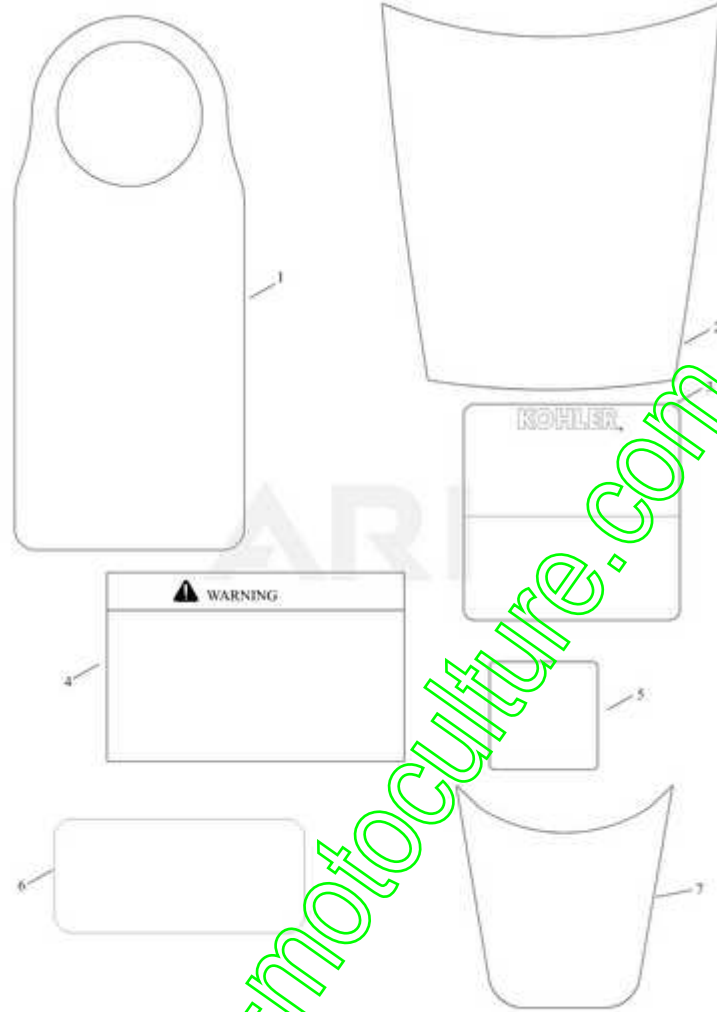
ILLUSTRATIONS ARE REPRESENTATIVE - NOT INTENDED TO SHOW ALL DETAILS

Ref #	Part #	Description	Qty	Context Note
1	14 068 14-S	KIT, MUFFLER	1	Before S/N 4920500011
4	14 314 13-S	GUARD ASSEMBLY, MUFFLER	1	Before S/N 4920500011
6	25 086 390-S	SCREW, SHOULDER-USE 25 086 441-S	2	Before S/N 4920500011
9	14 041 55-S	GASKET, MUFFLER (HEAT DEFLECTOR)	1	
NI	14 068 34-S	KIT, MUFFLER	1	After S/N 4920500011
NI	14 072 35-S	STUD, EXHAUST (M6)	2	After S/N 4920500001
NI	14 100 09-S	NUT, HEX FLANGE LOCK (M6)	2	After S/N 4920500001
NI	14 314 40-S	GUARD, MUFFLER ASSEMBLY	1	After S/N 4920500001

[www.emc-motoculture.com](http://www.emc-motoculture.com)

# XT675-3045 Marina Systems - 12 Identification

GROUP 12-IDENTIFICATION  
XT675



ILLUSTRATIONS ARE REPRESENTATIVE - NOT INTENDED TO SHOW ALL DETAILS

[www.emc-motoculture.com](http://www.emc-motoculture.com)

Ref #	Part #	Description	Qty	Context	Note
4	14 113 57-S	DECAL, WARNING	1		

[www.emc-motoculture.com](http://www.emc-motoculture.com)



**KOHLER®**

Engines

GROUP 15

FUEL RELATED

REPAIR KITS

[www.emc-motoculture.com](http://www.emc-motoculture.com)

Ref #	Part #	Description	Qty	Context Note
NI	14 755 30-S	KIT, HIGH ALTITUDE (4,000-8000 FT)	1	
NI	14 757 03-S	KIT, CARBURETOR REPAIR (RUIXING)	1	

[www.emc-motoculture.com](http://www.emc-motoculture.com)

**KOHLER®**

Engines

GROUP 17

MAINTENANCE

FAST MOVING PARTS

[www.emc-motoculture.com](http://www.emc-motoculture.com)

<b>Ref #</b>	<b>Part #</b>	<b>Description</b>	<b>Qty</b>	<b>Context Note</b>
NI	14 050 01-S	KIT, BREATHER FILTER	3	
NI	14 050 14-S	FILTER, FUEL IN-NIPPLE	1	
NI	14 083 19-S	ELEMENT, AIR FILTER	1	
NI	14 132 11-S	PLUG SPARK 12MM RFI	1	

[www.emc-motoculture.com](http://www.emc-motoculture.com)

**KOHLER®**

Engines

GROUP 18

OWNER/SERVICE

MANUALS

[www.emc-motoculture.com](http://www.emc-motoculture.com)

Ref #	Part #	Description	Qty	Context Note
NI	14 590 36	OM, XT SERIES AMERICAS	1	
NI	14 590 37	OM, XT SERIES WESTERN EUROPE	1	
NI	14 590 38	OM, XT SERIES ROW	1	
NI	14 590 39	OM, XT SERIES EASTERN EUROPE	1	
NI	14 590 59	WARRANTY, 2020-2022 MY XT,XTX,HD SERIES	1	
NI	14 690 01	SM, COURAGE XT-6/XT-7	1	
NI	14 690 02	SM, XT-6/XT-7 COURAGE FRENCH	1	
NI	14 690 03	SM, COURAGE XT ITALIAN	1	
NI	14 690 04	SM, COURAGE XT SPANISH	1	
NI	14 690 05	SM, COURAGE XT CHINESE	1	
NI	14 690 06	SM, XT GERMAN	1	
NI	14 690 07	SM, XT RUSSIAN	1	
NI	14 690 08	SM, XT POLISH	1	

[www.emc-motoculture.com](http://www.emc-motoculture.com)

**KOHLER®**

Engines

GROUP 20

SEALANT,

THREAD LOCK,

AND LUBRICANT

[www.emc-motoculture.com](http://www.emc-motoculture.com)

Ref #	Part #	Description	Qty	Context Note
NI	25 357 03-S	QUART OF OIL - SAE30	1	
NI	25 357 06-S	QUART OF OIL - 10W30-USE 25 357 65-S	1	
NI	25 357 12-S	LUBRICANT, GREASE (SPLINE)	1	
NI	25 357 14-S	LUBRICANT, CAMSHAFT	1	
NI	25 357 41-S	20W50 OIL (QUART)-USE 25 357 68-S	1	
NI	25 597 05-S	SEALANT(LOCTITE 620 RETAIN CMPND 0.5ML)	1	
NI	25 597 06-S	SEALANT(LOCTITE 222 RETAIN CMPND 0.5ML)	1	
NI	25 597 07-S	SEALANT(LOCTITE INSTANT GASKET 4 OZ)	1	
NI	52 357 01-S	LUBRICANT, BENDIX STARTR	1	

[www.emc-motoculture.com](http://www.emc-motoculture.com)



[www.emc-motoculture.com](http://www.emc-motoculture.com)