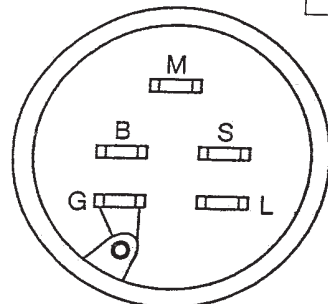
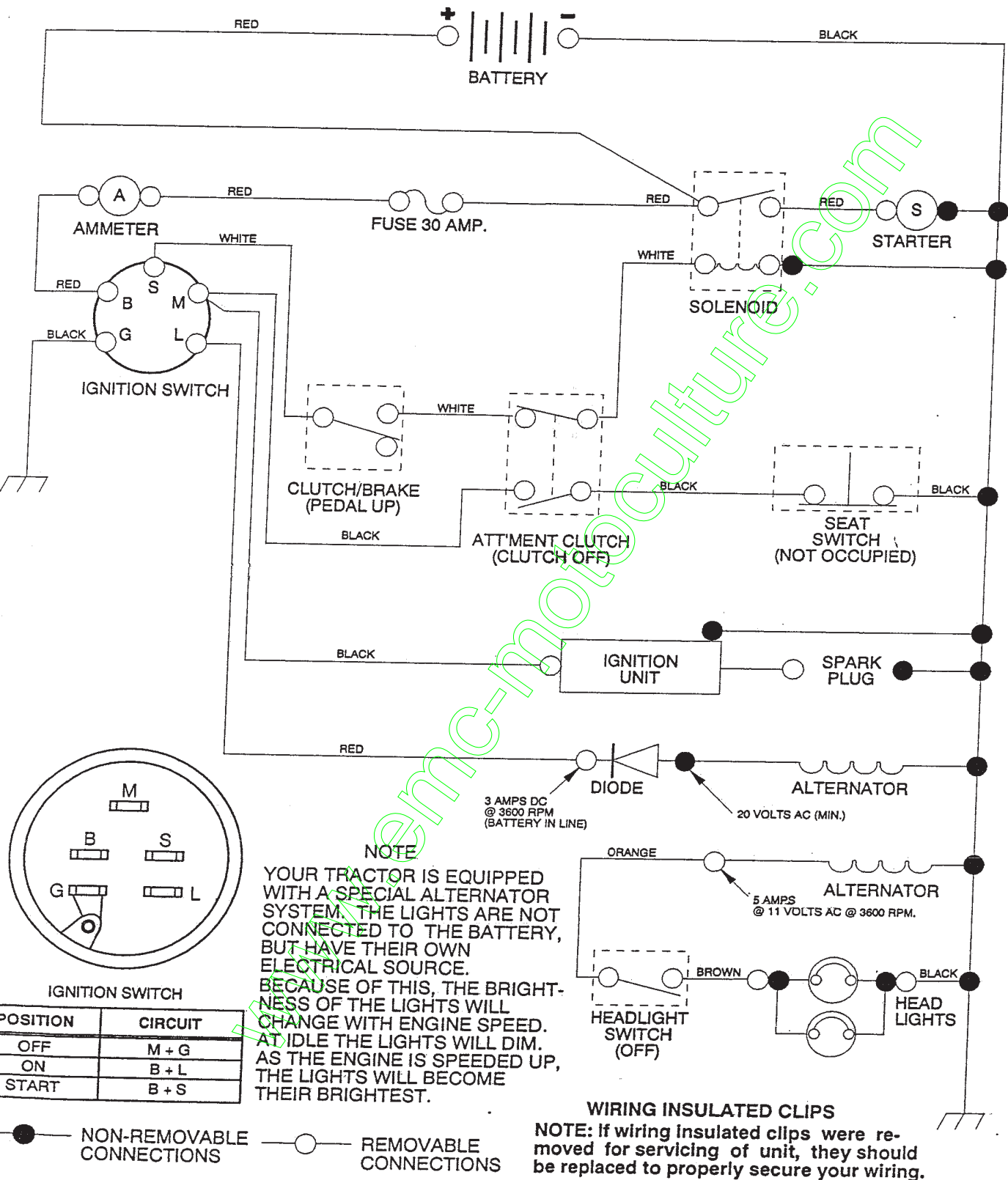


12.5 HP 42" RIDING LAWN TRACTOR - MODEL NUMBER YE12542A

SCHEMATIC



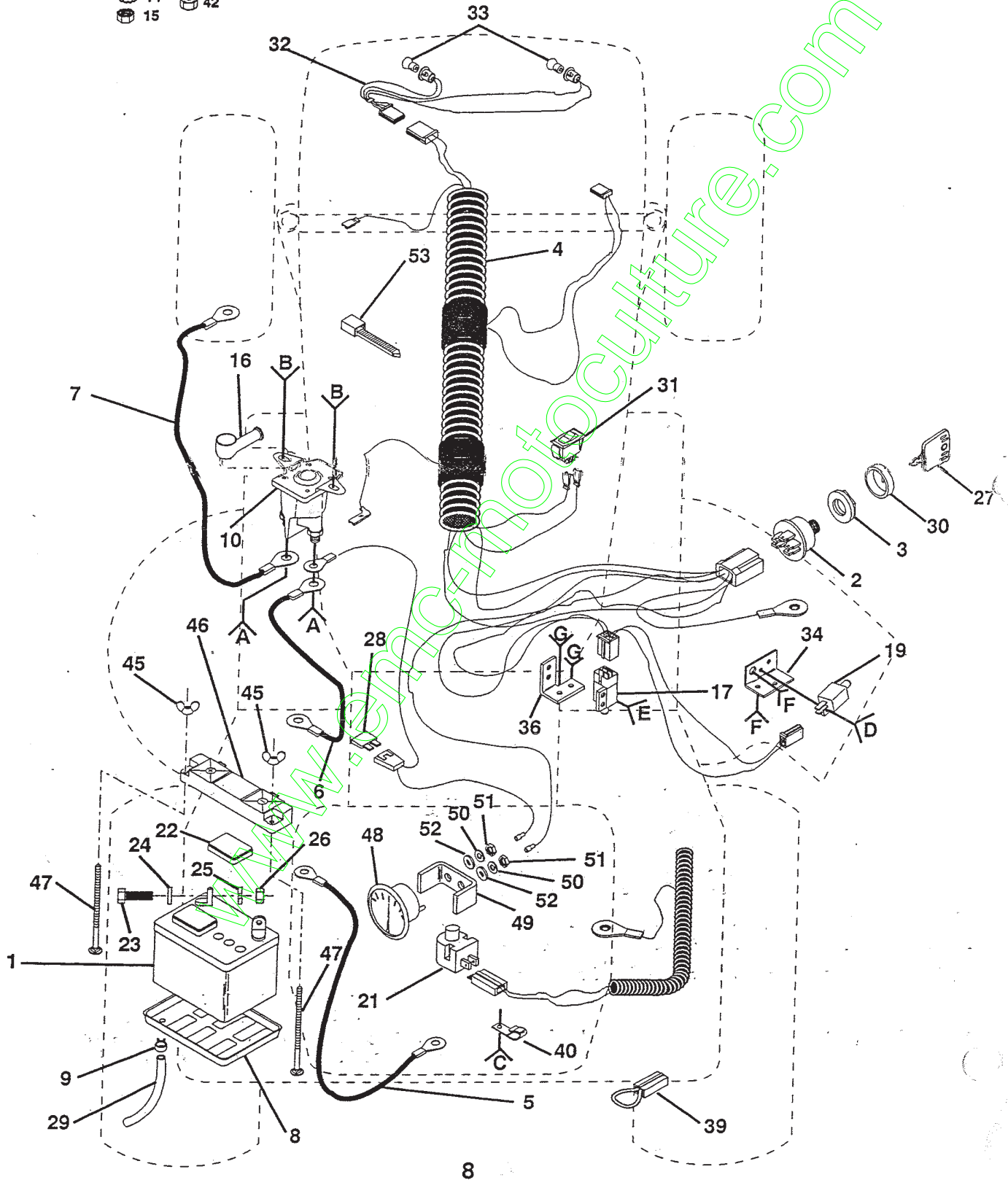
| POSITION | CIRCUIT |
|----------|---------|
| OFF | M + G |
| ON | B + L |
| START | B + S |

REPAIR PARTS

12.5 HP 42" RIDING LAWN TRACTOR - - MODEL NUMBER YE12542A

ELECTRICAL

- | | | | | | | |
|----|----|----|----|----|----|----|
| A | B | C | D | E | F | G |
| 11 | 13 | 41 | 20 | 43 | 35 | 37 |
| 12 | 14 | 42 | | 44 | | |
| | 15 | | | | | |



REPAIR PARTS

12.5 HP 42" RIDING LAWN TRACTOR - - MODEL NUMBER YE12542A

ELECTRICAL

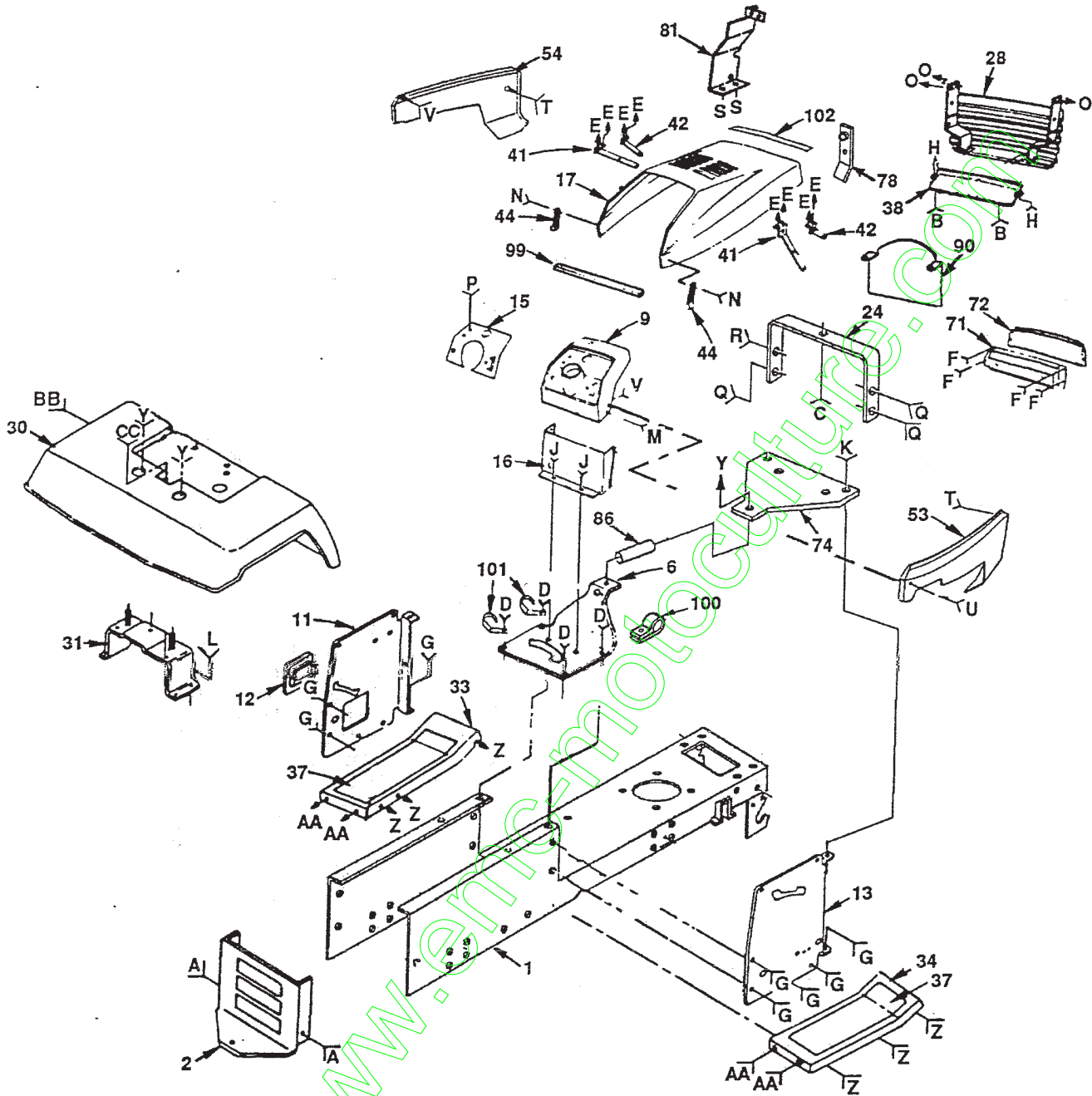
| KEY NO. | PART NO. | DESCRIPTION | KEY NO. | PART NO. | DESCRIPTION |
|---------|----------|--------------------------------|---------|----------|---------------------------------|
| 1 | 121265X | Battery 12 Volt 25 Amp | 28 | 108824X | Fuse 30 Amp Auto Green |
| 2 | 4406R | Switch Ign 5 Term Wo/wash/nut | 29 | 7604J | Tube Plastic 24 |
| 3 | 124211X | Nut Ignition | 30 | 123620X | Cover Sw Key Blk 1 25 Text Slit |
| 4 | 132642 | Harness Ign B&s Dash HI Amm | 31 | 110712X | Switch Light Blk Blk Red |
| 5 | 4207J | Cable Ground 6ga 12"black | 32 | 127441X | Harness Socket Light |
| 6 | 4206J | Cable Battery 6ga 22" Red | 33 | 7662J | Bulb, Light # 1141 |
| 7 | 4799J | Cable Battery 6ga 11red | 34 | 108236X | Bracket Switch Clutch |
| 8 | 7603J | Tray Battery 7 80 X 5 25 Blk | 35 | 17021008 | Screw Hex Tapping # 10-24 X 1/2 |
| 9 | 109596X | Clamp Hose Olive | 36 | 130890 | Bracket Switch Interlock |
| 10 | 109081X | Solenoid | 37 | 17021008 | Screw Hex Tapping # 10-24 X 1/2 |
| 11 | 10090400 | Washer Lock 1/4 | 39 | 102501X | Loop Wire 16 Ga White/red |
| 12 | 73350400 | Nut Jam Hex 1/4-20 Unc | 40 | 235R | Clip Insulator 3/8 X 9/32 Slot |
| 13 | 74780408 | Bolt Fin Hex 1/4-20uncx1/2 Gr5 | 41 | 74780408 | Bolt Fin Hex 1/4-20uncx1/2 Gr5 |
| 14 | 11050400 | Washer Lock Ext Tooth 1/4 | 42 | 73680400 | Nut Crownlock 1/4-20 Unc |
| 15 | 73510400 | Nut Keps Hex 1/4-20 Unc | 43 | 71031008 | Screw Hex Washer |
| 16 | 131563 | Cover Terminal Red | 44 | 73951000 | Nut Keps # 10-32 |
| 17 | 109553X | Switch Interlock Clutch | 45 | 123198X | Nut Plastic Locking Wng 1/4-20 |
| | 104445X | Switch Intlk Clutch Red 2 Term | 46 | 102476X | Guard Terminal Blk |
| 20 | 17021008 | Screw Tap Hex #10-24unc X 1/2 | 47 | 72240460 | Bolt Rdhd Sqnk 1/4-20 X 7-1/2 |
| 21 | 121305X | Switch Plunger Nc Gray | 48 | 9433R | Ammeter Round 15 Amp |
| 22 | 121264X | Caps Battery 20/25/30 Amp | 49 | 131708 | Bracket Ammeter 2 242 X 1 180 |
| 23 | 74760412 | Bolt Hex Hd 1/4-20unc X 3/4 | 50 | 10101000 | Washer Lock |
| 24 | 19091016 | Washer 9/32 X 5/8 X 16 Ga | 51 | 73911000 | Nut |
| 25 | 10040400 | Washer Lock Hvy Helical 1/4 | 52 | 19070818 | Washer 7/32 X 1/2 X 18 Ga |
| 26 | 73220400 | Nut Fin Hex 1/4-20 Unc | 53 | 7192J | Tie Cable |
| 27 | 122147X | Key Ign Molded Generic | | | |

NOTE: All component dimensions given in U.S. inches.
1 inch = 25.4 mm

REPAIR PARTS

12.5 HP 42" RIDING LAWN TRACTOR - - MODEL NUMBER YE12542A

CHASSIS AND ENCLOSURES



- A** 3
AA 94
B 76
BB 97
C 84
CC 98
D 7
E 43
- 95 77 96
84 25 26
- F** 73
G 14
H 79
J 27
K 88
L 32
M 21
N 45
O 48
P 18
Q 91
R 91
S 82
T 55
U 60
V 66
Y 85
Z 35
- 75 80 39 89 46 49 19 20 92 93 92 55 56 57 58 59 22 22 23 47 94 95 96 97 98 99 100 101 102

REPAIR PARTS

12.5 HP 42"RIDING LAWN TRACTOR -- MODEL NUMBER YE12542A

CHASSIS AND ENCLOSURES

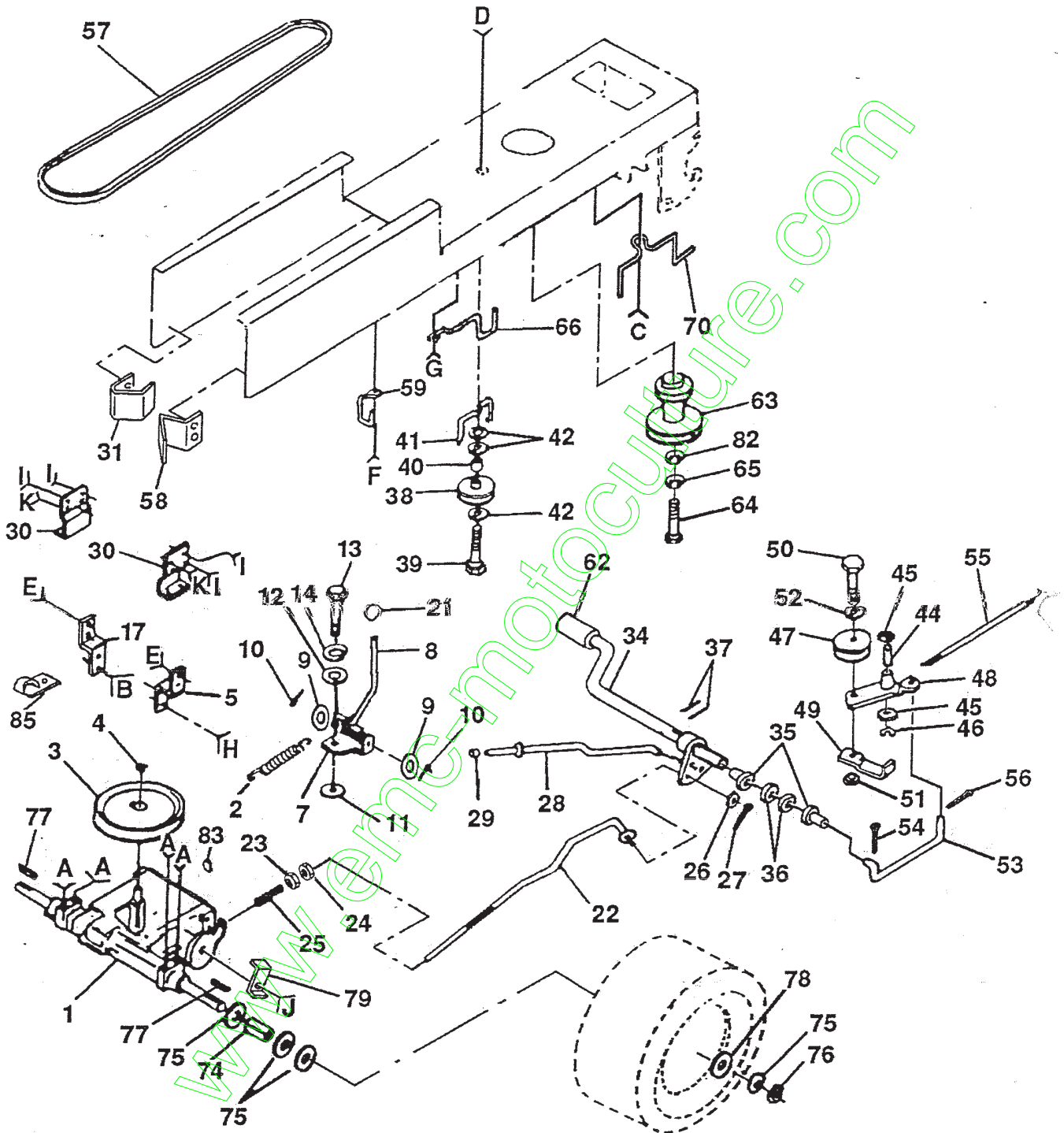
| KEY NO. | PART NO. | DESCRIPTION | KEY NO. | PART NO. | DESCRIPTION |
|---------|------------|---------------------------------|---------|------------|---------------------------------|
| 1 | 131052 | Chassis Weldment 12ga 38/42 | 54 | 121890X394 | Panel Pnt Lh Side |
| 2 | 130805 | Drawbar 11 Ga 46 5wheel Base | 55 | 19091216 | Washer 9/32 x 3/4 x 16 Ga |
| 3 | 17490612 | Screw Thdrol 3/8-16x3/4 Ty-tt | 56 | 73220400 | Nut Fin Hex 1/4-20 Unc. |
| 6 | 131360X019 | Saddle Silkscr 6sp Str Gn Lt D2 | 57 | 7206J | Spacer Split #10 x 3/4 Cad/zin |
| 7 | 17490608 | Screw Thdrol 3/8-16x1/2 Ty-tt | 58 | 19070818 | Washer 7/32 x 1/2 x 18 Ga |
| 9 | 124252X | Dash Black Hole "a" 88 | 59 | 73731000 | Nut Keps #10-24 Unc |
| 11 | 132072 | Panel Pnt Dash Lh | 60 | 74981020 | Screw Mach Cr Pan #10-24 x1-1/4 |
| 12 | 121794X | Cover Access Black Square | 66 | 123198X | Nut Plastic Locking Wng 1/4-20 |
| 13 | 132071 | Panel Pnt Dash Rh | 71 | 124392X417 | Bezel Asm Pnt |
| 14 | 17490612 | Screw Thdrol 3/8-16x3/4 Ty-tt | 72 | 106395X | Lens Headlight Bar Clear |
| 15 | 121286X014 | Plate Silkscreened Dash | 73 | 17211010 | Screw Hex Wsh Hd Tap#10-16x5/8 |
| 16 | 104783X | Dash Pnt Lower | 74 | 106965X | Plate Pnt Sprt Battery (blk) |
| 17 | 121886X394 | Hood Pnt Rally Red Wet | 75 | 104755X | "J" Fastener |
| 18 | 74180512 | Screw Mach Trhd 5/16-18uncx3/4 | 76 | 17490512 | Screw Thdrol 5/16-18 x 3/4 Tyt |
| 19 | 19111116 | Washer 11/32 x 11/16 x 16 Ga | 77 | 19131210 | Washer 13/32 x 3/4 x 10 Ga |
| 20 | 73510500 | Nut Keps 5/16-18 Unc | 78 | 132644X | Bracket Pnt Grille |
| 21 | 74760620 | Bolt Fin Hex 3/8-16unc x 1-1/4 | 79 | 17490412 | Screw Hexwsh Thdrol 1/4-20x3/4 |
| 22 | 19131312 | Washer 13/32 X 13/16 x 12 Ga | 80 | 19091016 | Washer 9/32 x 5/8 x 16 Ga |
| 23 | 73680600 | Nut Crownlock 3/8-16 Unc | 81 | 121279X | Support Pnt Lh Tank |
| 24 | 124130X | Support Pnt Dash | 82 | 17490612 | Screw Thdrol 3/8-16x3/4 Ty-tt |
| 25 | 10040400 | Washer Lock Hvy Helical 1/4 | 84 | 19091216 | Washer 9/32 x 3/4 x 16 Ga |
| 26 | 73220400 | Nut Fin Hex 1/4-20 Unc | 85 | 74760532 | Bolt Fin Hex 5/16-18uncx2gr2 |
| 27 | 74180512 | Screw Mach Trhd 5/16-18uncx3/4 | 86 | 121236X | Spacer Split 391x1'25 Blk/zin |
| 28 | 131716X | Grille Asm Pnt | 87 | 73510500 | Nut Keps 5/16-18 Unc |
| | 109872X423 | Fender Pnt | 88 | 74760620 | Bolt Fin Hex 3/8-16unc x 1-1/4 |
| | 109873X | Bracket Pnt Fender | 89 | 73510600 | Nut Keps Hex 3/8-16unc |
| 32 | 17490612 | Screw Thdrol 3/8-16x3/4 Ty-tt | 90 | 133685 | Baffle Pnt Hood Vertical |
| 33 | 105465X423 | Footrest Pnt Lh (rally Red) | 91 | 74760612 | Bolt Hex 3/8-16 x 3/4 |
| 34 | 105464X423 | Footrest Pnt Rh (rally Red) | 92 | 73680600 | Nut Crownlock 3/8 |
| 35 | 72110606 | Bolt Rdhd Sht Sqnk 3/8-16 x3/4 | 93 | 11050600 | Washer Lock Ext Tooth 3/8 |
| 36 | 73680600 | Nut Crownlock 3/8-16 Unc | 94 | 74760612 | Bolt Fin Hex 3/8-16unc x 3/4 |
| 37 | 128866 | Pad Footrest Jb Lt/yt/gt Die C | 95 | 19131312 | Washer 13/32 X 13/16 x 12 Ga |
| 38 | 105419X423 | Strap Pnt Grill | 96 | 73680600 | Nut Crownlock 3/8-16 Unc |
| 39 | 73510500 | Nut Keps 5/16-18 Unc | 97 | 17490608 | Screw Thdrol 3/8-16x1/2 Ty-tt |
| 41 | 106784X | Strap Asm Pnt Hinge Rear (blk) | 98 | 17490612 | Screw Thdrol 3/8-16x3/4 Ty-tt |
| 42 | 104618X | Strap Asm Pnt Hinge Front | 99 | 105037X | Strip Foam 18" |
| 43 | 73510400 | Nut Keps Hex 1/4-20 Unc | 100 | 2751R | Clip Line Fuel 13/32 Mtg Hole |
| 44 | 109808X | Latch Chute Blk | 101 | 2751R | Clip Line Fuel 13/32 Mtg Hole |
| 45 | 74191008 | Screw Mach Cr Pan #10-24 x 1/2 | 102 | 104915X | Strip Foam |
| 46 | 10071000 | Washer Lock #10 | | | |
| 47 | 2029J | Nut Weld .327/.304 #10-24 | | | |
| 48 | 123481X | Bolt Shoulder 1/4-20 Unc | | | |
| 49 | 73680400 | Nut Crownlock 1/4-20 Unc | | | |
| 53 | 121889X394 | Panel Pnt Rh Side | | | |

NOTE: All component dimensions given in U. S. inches.
1 inch = 25.4 mm

REPAIR PARTS

12.5 HP 42" RIDING LAWN TRACTOR - - MODEL NUMBER YE12542A

DRIVE



- | | | | | | | | | | | |
|----------|----------|----------|----------|----------|----------|----------|----------|----------|----------|----------|
| A | B | C | D | E | F | G | H | I | J | K |
| | | | | | | | | | | |
| | | | | | | | | | | |
| | | | | | | | | | | |

REPAIR PARTS

12.5 HP 42" RIDING LAWN TRACTOR -- MODEL NUMBER YE12542A

DRIVE

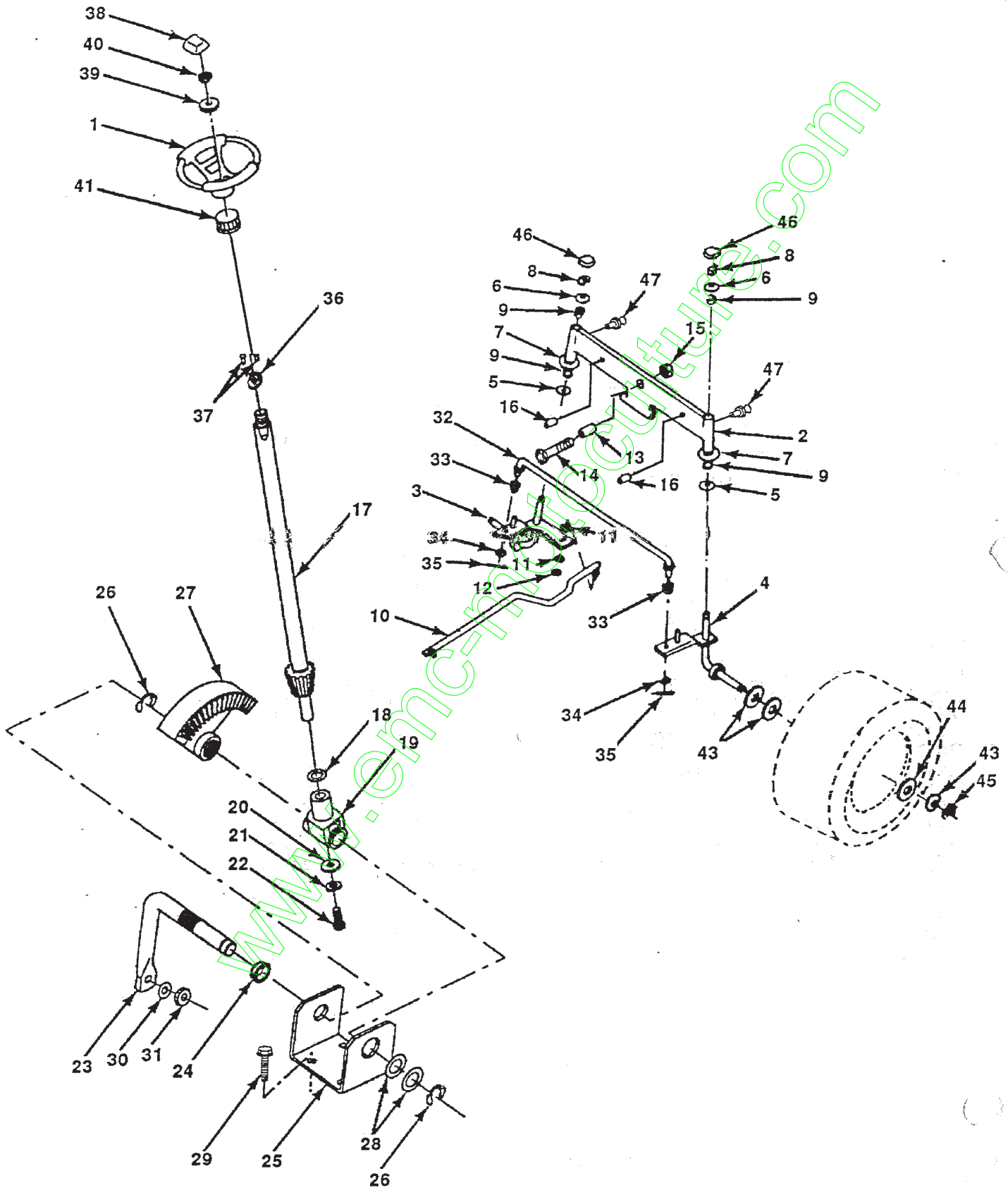
| KEY NO. | PART NO. | DESCRIPTION | KEY NO. | PART NO. | DESCRIPTION |
|---------|----------|----------------------------------|---------|----------|-----------------------------------|
| 1 | 120898X | Transaxle 6sp D 18" T. S/SHF | 45 | 110812X | Washer Hardened |
| 2 | 110422X | Spring Return Brake | 46 | 12000039 | Ring Klip #15304-50 |
| 3 | 123666X | Pulley Transaxle 18"tires | 47 | 127783 | Pulley Idler V Groove Plastic |
| 4 | 12000028 | Ring Retainer # 5100-62 | 48 | 123789X | Bellcrank Asm |
| 5 | 121520X | Strap Torque Rh Pnt Blk | 49 | 123205X | Retainer Belt Style Spring |
| 6 | 17490512 | Screw Thdrol 5/16-18 x 3/4 Tyt | 50 | 74760624 | Bolt Hex Hd 3/8-16unc x 1-1/2 |
| 7 | 130802 | Plate Pnt Shifter | 51 | 73680600 | Nut Crownlock 3/8-16 Unc |
| 8 | 131679 | Rod Shf Sdl LT/YT | 52 | 19131316 | Washer 13/32 x 13/16 x 16 Ga |
| 9 | 19151216 | Washer 15/32 x 3/4 x 16ga | 53 | 105710X | Link Clutch 7 66 |
| 10 | 76020416 | Pin Cotter 1/8 x 1 Cad | 54 | 76020412 | Pin Cotter 1/8 x 3/4 Cad |
| 11 | 105701X | Washer Plate Shf 388 Sq Hole | 55 | 105709X | Spring Return Clutch 6 75 |
| 12 | 19091210 | Washer 9/32 x 3/4 x 10 Ga | 56 | 76020412 | Pin Cotter 1/8 x 3/4 Cad |
| 13 | 71040412 | Bolt Fin Hex 1/4-28unfx3/4 Gr8 | 57 | 130801 | V-belt Ground Drive 95 25 |
| 14 | 10040400 | Washer Lock Hvy Helical 1/4 | 58 | 127274X | Keeper Belt RH Lt Pnt/Zinc 16Ga |
| 15 | 74760540 | Bolt Fin Hex 5/16-18 unc x 2-1/2 | 59 | 104777X | Retainer Belt Chassis Lh Zinc |
| 16 | 73680500 | Nut Crownlock 5/16-18 | 60 | 19131312 | Washer 13/32 x 13/16 x 12 Ga |
| 17 | 121520X | Strap Pnt Torque Lh | 61 | 17490612 | Screw Thdrol 3/8-16x3/4 Ty-tt |
| 18 | 74760612 | Bolt Fin Hex 3/8-16unc x 3/4 | 62 | 8883R | Cover Pedal Blk Round |
| 19 | 73680600 | Nut Crownlock 3/8-16 Unc | 63 | 131002 | Pulley Engine |
| 20 | 17490512 | Screw Thdrol 5/16-18 x 3/4 Tyt | 64 | 71170768 | Bolt Finhex 7/16-20unfx4-1/4g5 |
| 21 | 121274X | Knob Duckhead 1/2-13unc Blk | 65 | 10040700 | Washer Lock Hvy Hlcl Spr 7/16 |
| | 130804 | Rod Brake Blk Zinc 26 840 | 66 | 129921 | Keeper Belt Engine Lh Lt |
| 23 | 73800600 | Nut Lock Hex W/wsh 3/8-16unc | 67 | 74760616 | Bolt Fin Hex 3/8-16unc x 1 |
| 24 | 73350600 | Nut Hex Jam 3/8-16 Unc | 68 | 19131312 | Washer 13/32 x 13/16 x 12 Ga |
| 25 | 106888X | Spring Rod Brake 2 00 Zinc | 69 | 73680600 | Nut Crownlock 3/8-16 Unc |
| 26 | 19131316 | Washer 13/32 x 13/16 x 16 Ga | 70 | 131402 | Guide Belt Dr Mower Rh |
| 27 | 76020412 | Pin Cotter 1/8 x 3/4 Cad | 71 | 74760616 | Bolt Fin Hex 3/8-16unc x 1 |
| 28 | 133261 | Rod Brake Parking 14 500 | 72 | 19132012 | Washer 13/32 x 1-1/4 x 12 Ga |
| 29 | 71673 | Cap Parking Brake Black | 73 | 73680600 | Nut Crownlock 3/8-16 Unc |
| 30 | 130807 | Bracket Mtg Transaxle | 74 | 109502X | Spacer Split 80x1 94 Cad/zinc |
| 31 | 127275X | Keeper Belt Lh Lt 14 Ga | 75 | 121749X | Washer 25/32 x 1 1/4 x 16 Ga |
| 32 | 74760512 | Bolt Hex Hd 5/16-18unc x 3/4 | 76 | 12000001 | Ring E #5133-75 |
| 33 | 73680500 | Nut Crown Lock 5/16-18 | 77 | 123583X | Key Square 2 0 x 1845/ 1865 |
| 34 | 122424X | Shaft Asm Pedal Foot 1930 | 78 | 121748X | Washer 25/32 x 1 5/8 x 16ga |
| 35 | 120183X | Bearing Nylon Blk 629 Id | 79 | 131935 | Bracket Brake Pnt T/a |
| 36 | 19211616 | Washer 21/32 x 1 x 16 Ga | 80 | 74760512 | Bolt Hex Hd 5/16-18unc x 3/4 |
| 37 | 1572H | Pin Roll 3/16 x 1 | 81 | 73680500 | Nut Crown Lock 5/16-18 |
| 38 | 123674X | Pulley Idler Flat | 82 | 126197X | Washer 1-1/2 OD X 15132 ID X .250 |
| 39 | 74760644 | Bolt Fin Hex 3/8-16unc x 2-3/4 | 83 | 2228M | Key Woodruff #9 3/16 x 3/4 |
| 40 | 4470J | Spacer Split 395 x 59 Bzp | 84 | 17490612 | Screw Thdrol 3/8-16x3/4 Ty-tt |
| 41 | 109070X | Keeper Belt Retainer | 85 | 2751R | Clip Line Fuel 13/32 Mtg Hole |
| 42 | 19131312 | Washer 13/32 x 13/16 x 12 Ga | | | |
| 43 | 73680600 | Nut Crownlock 3/8-16 Unc | | | |
| 44 | 105706X | Bearing Nyl 503 x 628 x 1 25 | | | |

NOTE: All component dimensions given in U.S. inches
1 inch = 25.4 mm

REPAIR PARTS

12.5 HP 42" RIDING LAWN TRACTOR - - MODEL NUMBER YE12542A

STEERING ASSEMBLY



REPAIR PARTS

12.5 HP 42" RIDING LAWN TRACTOR - - MODEL NUMBER YE12542A

STEERING ASSEMBLY

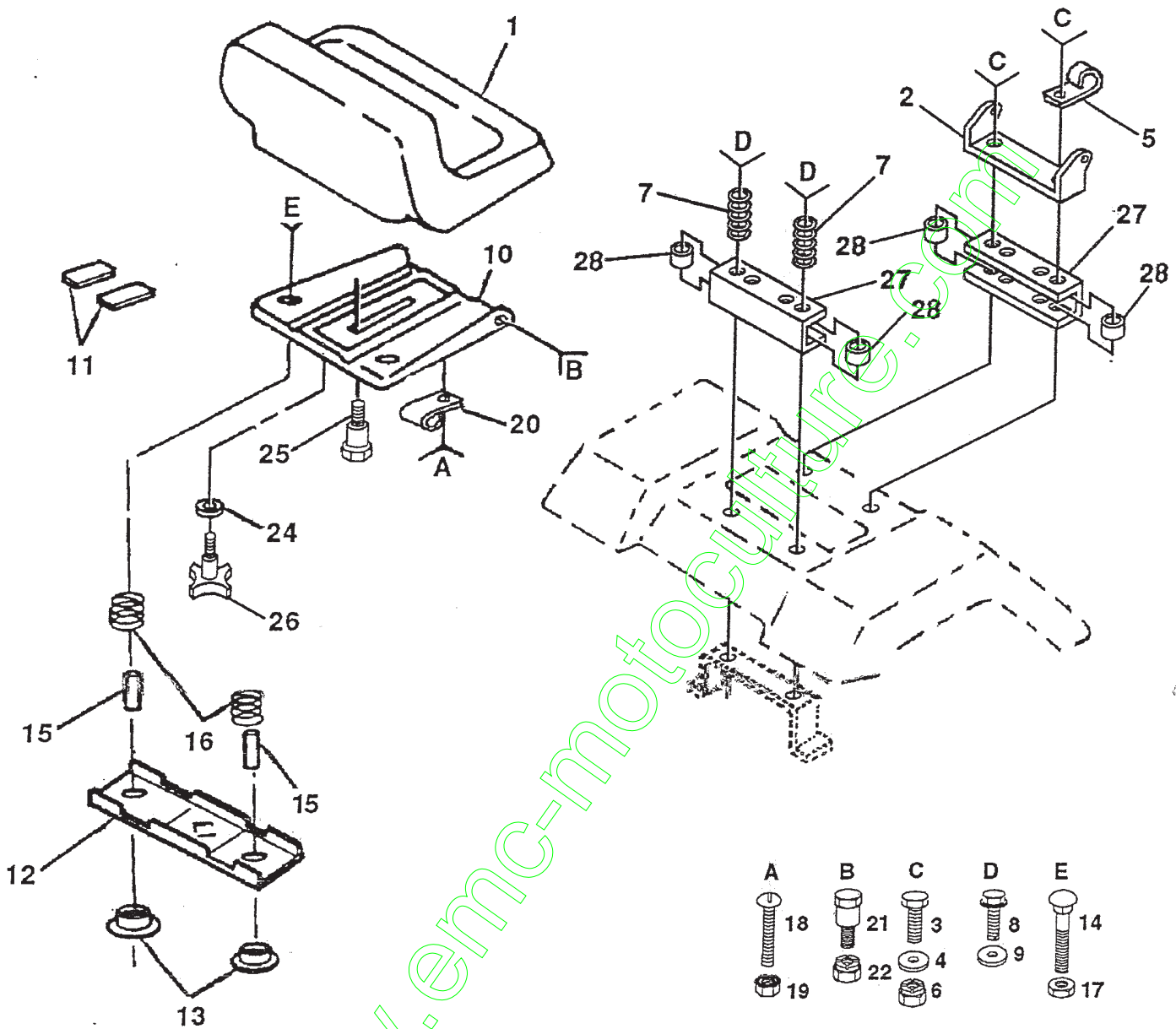
| KEY NO. | PART NO. | DESCRIPTION |
|---------|----------|--------------------------------|
| 1 | 121472X | Wheel Steering Auto Black |
| 2 | 133988 | Axle Asm W/fittings Front |
| 3 | 130460 | Spindle Asm Lh |
| 4 | 130459 | Spindle Asm Rh |
| 5 | 6266H | Bearing Race Thrust Harden |
| 6 | 121748X | Washer 25/32 x 1-5/8 x 16 Ga |
| 7 | 19272016 | Washer 27/32 x 1-1/4 x 16 Ga |
| 8 | 12000029 | Ring Klip #T5304-75 |
| 9 | 3366R | Bearing Col Strg Blk |
| 10 | 130468 | Link Drag Sol Ball Jt 20 064 |
| 11 | 10040600 | Washer Lock Hvy Hlcl Spr 3/8 |
| 12 | 73610600 | Nut Fin Hex 3/8-24 Unf |
| 13 | 110438X | Spacer Bearing Axle Front |
| 14 | 74011056 | Bolt Hex 5/8-11 Unc x 3-1/2 |
| 15 | 73601000 | Nut Hex Jam Lk W/wh 5/8-11 Unc |
| 16 | 132624 | Pin Axle 5/8 x 1 55/1 54 Lg |
| 17 | 128758 | Shaft Asm Strg 18 31x3/4 Yp Lt |
| 18 | 57079 | Washer Thrust 515x 750x 033 |
| 19 | 124035X | Support Shaft |
| 20 | 126684X | Washer Shim 1/4 x 5/8 x 062 |
| 21 | 10040400 | Washer Lock Hvy Helical 1/4 |
| 22 | 71070410 | Screw Hex Socket 1/4-20 x 5/8 |
| 23 | 127501 | Shaft Asm Pittman |
| 24 | 109816X | Nyliner Snap In |
| 25 | 124036X | Bracket Steering |
| 26 | 12000029 | Ring Klip #t5304-75 |
| 27 | 124034X | Gear Sector |
| 28 | 6266H | Bearing Race Thrust Harden |
| 29 | 17490612 | Screw Thdrol 3/8-16x3/4 Ty-tt |
| 30 | 10040600 | Washer Lock Hvy Hlcl Spr 3/8 |
| 31 | 73610600 | Nut Fin Hex 3/8-24 Unf |
| 32 | 130465 | Rod Tie Wire Form 19 75 Mech |
| 33 | 120754X | Bushing Rod Tie Blk Lt |
| 34 | 19131416 | Washer 13/32 x 7/8 x 16ga |
| 35 | 76020412 | Pin Cotter 1/8 x 3/4 Cad |
| 36 | 1554J | Bushing Strg Blk 742/747 Id |
| 37 | 17431008 | Screw Siftp #10-16 x 1/2 Ty-b |
| 38 | 121584X | Insert Cap Strg Wh Au Y P Blk |
| 39 | 100712K | Washer 53 x 2 25 x 160 Zinc |
| 40 | 73940800 | Nut Hex Jam Toplock 1/2-20 Unf |
| 41 | 100711L | Adapter Wheel Strg 758/ 753id |
| 43 | 121749X | Washer 25/32 x 1 1/4 x 16 Ga |
| 44 | 121748X | Washer 25/32 x 1 5/8 x 16ga |
| 45 | 12000029 | Ring Klip #t5304-75 |
| 46 | 121232X | Cap Spindle Fr Top Blk |
| 47 | 6855M | Fitting Grease |

NOTE: All component dimensions given in U.S. inches
1 inch = 25.4 mm

REPAIR PARTS

12.5 HP 42" RIDING LAWN TRACTOR - - MODEL NUMBER YE12542A

SEAT ASSEMBLY



| KEY NO. | PART NO. | DESCRIPTION |
|---------|----------|--------------------------------|
| 1 | 127427 | Seat V350 Blk/blk Std |
| 2 | 126656X | Bracket Pnt Pivot Seat (blk) |
| 3 | 74760640 | Bolt-hex Fin 3/8-16unc x 2-1/2 |
| 4 | 19131210 | Washer 13/32 X 3/4 X 10 Ga |
| 5 | 2751R | Clip Line Fuel 13/32 Mtg Hole |
| 6 | 73680600 | Nut Crownlock 3/8-16 Unc |
| 7 | 124181X | Spring Seat Cprsn 2 250 Blk Zi |
| 8 | 17490640 | Scr-hex Wsh Thdrol 3/8-16x2-1/ |
| 9 | 19131614 | Washer 13/32 x 1 X 14 Ga |
| 10 | 131541 | Pan Pnt Seat (blk) |
| 11 | 121251X | Strip Foam Gray Or Black |
| 12 | 121246X | Bracket Pnt Mounting Switch |
| 13 | 121248X | Bushing Snap Blk Nyl 50 Id |
| 14 | 72050411 | Bolt Rdhd Sht Nk 1/4-20x1-3/8 |
| 15 | 121249X | Spacer Split 28 x 88 Zinc |

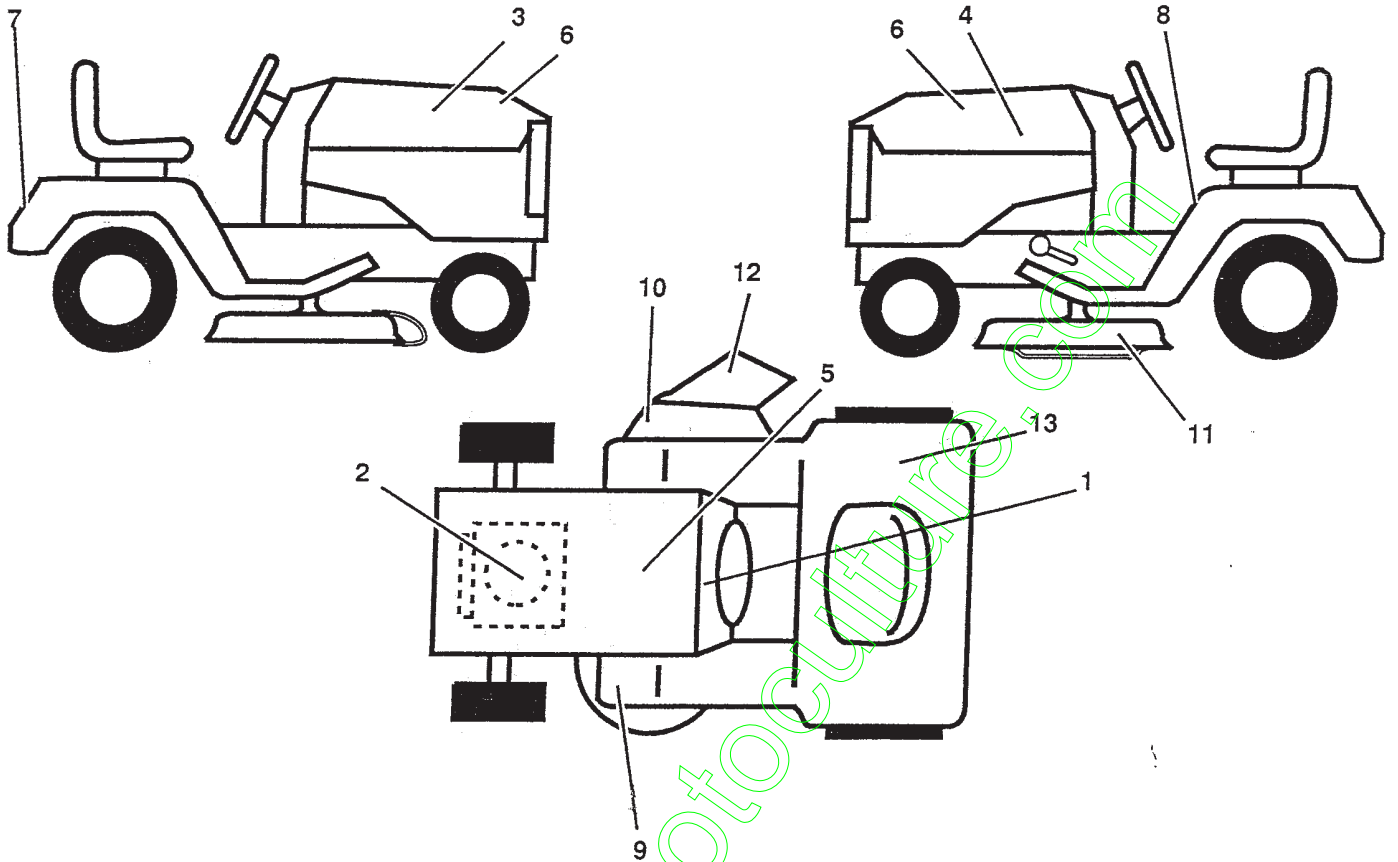
| KEY NO. | PART NO. | DESCRIPTION |
|---------|----------|--------------------------------|
| 16 | 121250X | Spring Cprsn 1 27 Blk Pnt |
| 17 | 123976X | Nut Lock 1/4 Lge Fig Gr 5 Zinc |
| 18 | 74641008 | Screw Sltd Pan Hd #10-32 x 1/2 |
| 19 | 73951000 | Nut Keps #10-32 Unf |
| 20 | 4171R | Clip Insulated 11/32 Mtg Hole |
| 21 | 105529X | Bolt Shoulder 5/16-18 Unc Blkz |
| 22 | 73680500 | Nut Crown Lock 5/16-18 |
| 24 | 19171912 | Washer 17/32 x 1-3/16 x 12 Ga |
| 25 | 127018X | Bolt Shoulder 5/16-18 X 62 |
| 26 | 120068X | Knob Seat 1/2-13unc Blk |
| 27 | 131772X | Spacer Pnt Seat |
| 28 | 131771 | Spacer Split |

NOTE: All component dimensions given in U.S. inches
1 inch = 25.4 mm

REPAIR PARTS

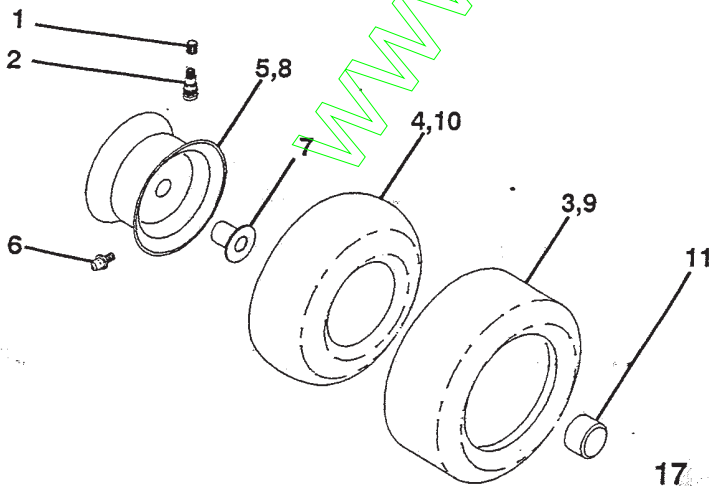
12.5 HP 42" RIDING LAWN TRACTOR - - MODEL NUMBER YE12542A

DECALS



| KEY NO. | PART NO. | DESCRIPTION | KEY NO. | PART NO. | DESCRIPTION |
|---------|----------|-------------------------------|---------|----------|--------------------------------|
| 1 | 109821X | Decal Oper Instruction Eng/fr | 8 | 120822X | Decal Caution English/french |
| 2 | 129057 | Decal Engine 12 5hp B&s | 9 | 101892X | Decal Clutch/brake Eng/fr |
| 3 | 123966X | Decal Hood Rh Yardpro 37 00 | 10 | 126192X | Decal Warn Def Eng/fr/dut/ger |
| 4 | 123965X | Decal Hood Lh Yardpro 37 00 | 11 | 126196X | Decal Rotat Blades E/fr/ger/du |
| 5 | 121549X | Decal Caution Battery Fr/ger | 12 | 126194X | Decal Caut Deflect E/fr/ger/du |
| 6 | 124051X | Decal Side Panel Lt12 | 13 | 125690X | Decal 100 Db |
| 7 | 123689X | Decal Fender Yard Pro | - | 131603 | Manual Oper Generic 42"eng/fr |
| | | | - | 133350 | Manual Parts |

WHEELS & TIRES



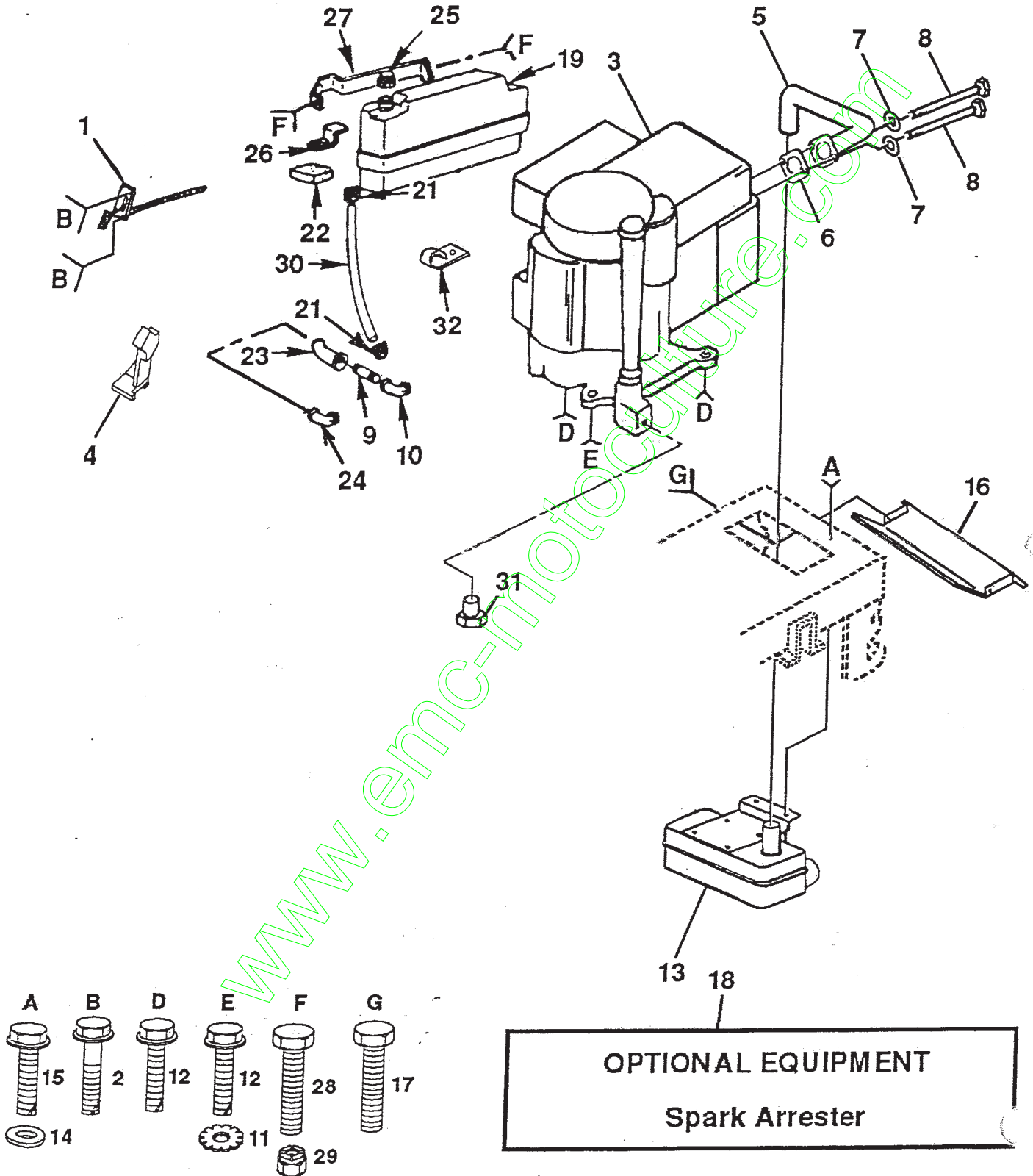
| KEY PART NO. | PART NO. | DESCRIPTION |
|--------------|------------|-----------------------------------|
| 1 | 59192 | Cap Valve Tire |
| 2 | 65139 | Stem Valve |
| 3 | 106222X | Tire F Ts 15 x 6 0 - 6 Service |
| 4 | 59904 | Tube Front (Service Item Only) |
| 5 | 106732X361 | Rim Asm 6"front Silver Service |
| 6 | 278H | Fitting Grease (Front Wheel Only) |
| 7 | 9040H | Bearing Flange (Front Wheel Only) |
| 8 | 106108X361 | Rim Asm 8"rear Silver Service |
| 9 | 106268X | Tire R Ts 18x9 5-8 C Service |
| 10 | 7152J | Tube Rear (Service Item Only) |
| 11 | 104757X | Cap Axle Blk 1 50 x 1 00 |

NOTE: All component dimensions given in U.S. inches
1 inch = 25.4 mm

REPAIR PARTS

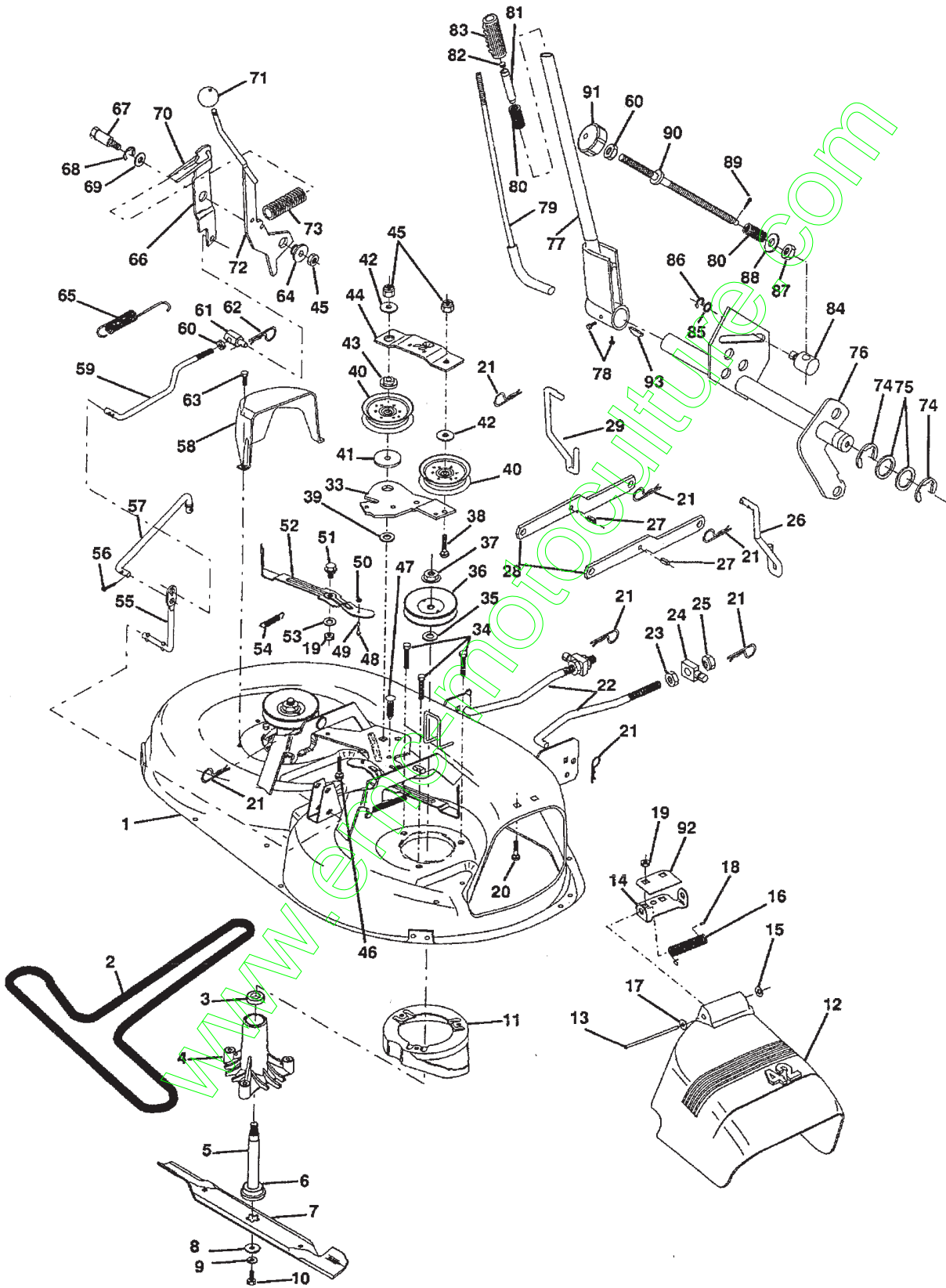
12.5 HP 42" RIDING LAWN TRACTOR - - MODEL NUMBER YE12542A

ENGINE



REPAIR PARTS

12.5 HP 42" RIDING LAWN TRACTOR
42" MOWER



REPAIR PARTS

12.5 HP 42" RIDING LAWN TRACTOR - - MODEL NUMBER YE12542A

42" MOWER

| KEY NO. | PART NO. | DESCRIPTION | KEY NO. | PART NO. | DESCRIPTION |
|---------|----------|--------------------------------------|---------|----------|--------------------------------|
| 1 | 130970 | Deck Asm Mower 42" | 49 | 133940 | Roller Asm Cam Follower 42"dec |
| 2 | 130969 | V-belt Mower 42" 92 40 | 50 | 69180 | Nut Lock Esna #10-24 Unc |
| 3 | 110485X | Bearing Ball Mandrel | 51 | 105529X | Bolt Shoulder 5/16-18 Unc Blkz |
| 4 | 128774 | Housing Mandrel Vented(machd) | 52 | 131845 | Arm Asm Pad Brake |
| 5 | 133172 | Shaft Asm Mandrel Vented | 53 | 133944 | Washer Hardened Smaller |
| 6 | 129895 | Bearing Ball #6204 (mandrel) | 54 | 131335 | Spring Extension |
| 7 | 127843 | Blade Mower High Perf 42" | 55 | 133551 | Rod Pivot W/nibs |
| 8 | 129962 | Washer Hard Blade Mower Vented | 56 | 76020312 | Pin Cotter 3/32 x 3/4 Cad |
| 9 | 10030600 | Washer Lock Hvy 3/8 Unplated | 57 | 133504 | Rod Clutch Secondary W/nibs |
| 10 | 850857 | Bolt 3/8-24x1 25 Gr8 Patched | 58 | 131857 | Guard Mandrel Lh 42" |
| 11 | 128961 | Stripper Mower Vented | 59 | 133550 | Rod Clutch Primary W/nibs |
| 12 | 130968 | Shield Deflector 42" Black | 60 | 73350600 | Nut Hex Jam 3/8-16 Unc |
| 13 | 121980X | Rod Hinge Brt/blk Zinc 5 75 Lg | 61 | 133205 | Trunnion Adj 3/8-16 Unc x 1 30 |
| 14 | 131267 | Bracket Deflector Mower 42" | 62 | 4497H | Spring Retainer 1 Zinc/cad |
| 15 | 110452X | Nut Push Phos & Oil | 63 | 17720410 | Screw Hex Thd Cut 1/4-20x5/8 T |
| 16 | 123713X | Spring Torsion Deflector 2 52 | 64 | 127498 | Bushing 747 Od x 794 Lg Brass |
| 17 | 19111016 | Washer 11/32 x 5/8 x 16 Ga | 65 | 131870 | Spring Return |
| 18 | 105304X | Cap Sleeve 80x 112 Blk Mower | 66 | 127847 | Arm Clutch Secondary |
| 19 | 73680500 | Nut Crown Lock 5/16-18 | 67 | 128903 | Bolt Shoulder 3/8-16 Unc 1 44 |
| 20 | 72140506 | Bolt Rdhd Sqnk 5/16-18 x 3/4 | 68 | 12000029 | Ring Klip #5304-75 |
| 21 | 4939M | Retainer Spring | 69 | 121748X | Washer 25/32 x 1 5/8 x 16ga |
| 22 | 127218 | Link Front | 70 | 127845 | Keeper Spring 4 000 |
| 23 | 73350800 | Nut Jam Hex 1/2-13 Unc | 71 | 132044 | Cover Handle Round Black 5 25 |
| 24 | 130171 | Trunnion Blk Zinc | 72 | 131813 | Lever Asm Clutch Primary Yp |
| 25 | 73800800 | Nylon Washer Ins Nut 1/2-13 x 1/2-13 | 73 | 128759 | Spring Clutch Mower 2 750 Zinc |
| 26 | 127224 | Link Lift Rh Blk Zinc 6 894 Lt | 74 | 12000022 | Ring E Truarc #5133-87 |
| 27 | 128763 | Pin Spring Sltd 5/16 x 750 | 75 | 19292016 | Washer 29/32 x 1-1/4 x 16 Ga |
| 28 | 130832 | Arm Suspension Rear | 76 | 131874X | Shaft Asm Lift Yp Lt |
| 29 | 127223 | Link Lift Lh Blk Zinc 7 789 Lt | 77 | 121718X | Lever Asm Pnt Lift |
| 30 | 73360700 | Nut Hex Jam Asf 7/16-20unc | 78 | 23180606 | Screw Set Hex Skt 3/8-16 x 3/8 |
| 31 | 110447X | Trunnion Lift W/ 451/ 461 Id | 79 | 121719X | Rod Asm Lever |
| 32 | 73710700 | Nut Crownlock Jam 7/16-20 Unf | 80 | 2876H | Spring 2-1/8 |
| 33 | 133886 | Arm Asm Idler 42" | 81 | 122364X | Plunger Lever Lift |
| 34 | 78158 | Bolt 5/16-18 x 1 25 T/t | 82 | 124526X | Button Plunger Black |
| 35 | 129963 | Washer Spacer Mower Vented | 83 | 109413X | Grip Handle Bicycle Matte Blk |
| 36 | 129861 | Pulley Mandrel 42" | 84 | 110810X | Trunnion Dp Stop Dbl Thds Pit |
| 37 | 73050900 | Nut 9/16top Lock Flng Oil Dip | 85 | 19151216 | Washer 15/32 x 3/4 x 16ga |
| 38 | 72110614 | Bolt Rdhd 3/8-16uncx1-3/4 Gr5 | 86 | 12000037 | Ring Klip #5304-37 |
| 39 | 133943 | Washer Hardened | 87 | 110807X | Nut Special |
| 40 | 131494 | Pulley Idler Flat | 88 | 19131016 | Washer 13/32 x 5/8 x 16 Ga |
| 41 | 122052X | Spacer Retainer Pm Mower | 89 | 76020308 | Pin Cotter 3/32 x 1/2 |
| 42 | 19131612 | Washer 13/32 x 1 x 12 Ga | 90 | 110729X | Rod Adj Lift Zinc 9 00 Wrk Lg |
| 43 | 133502 | Spacer Arm Idler Upper Hdn 42" | 91 | 100734K | Knob Infinite 3/8-16 Unc Black |
| 44 | 133503 | Stiffener Arm Idler Upper 42" | 92 | 134753 | Stiffener Bracket |
| 45 | 73680600 | Nut Crownlock 3/8-16 Unc | 93 | 8330H | Key Woodruff 1/4 x 1 |
| 46 | 72110618 | Bolt Rdhd Sqnk 3/8-16 x 2-1/4 | - | 132711 | Deck Serv 42"hp Mech E/f/g/d |
| 47 | 133835 | Fastner Christmas Tree | | | |
| 48 | 131340 | Bolt Shldr 10-24 Zinc Gr 5 42" | | | |

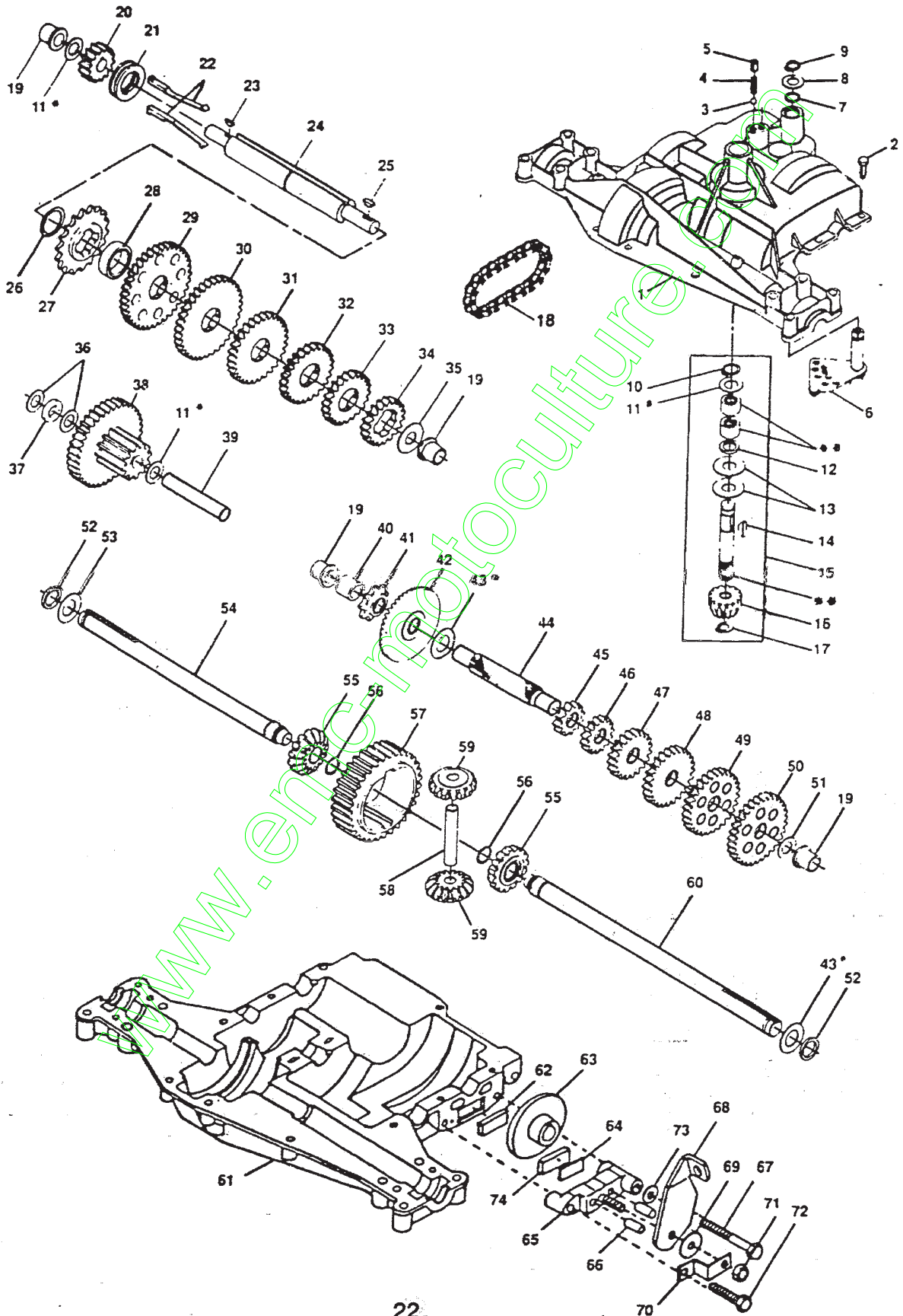
NOTE: All component dimensions given in U.S. inches
1 inch = 25.4 mm

REPAIR PARTS

12.5 HP 42" RIDING LAWN TRACTOR - - MODEL NUMBER YE12542A

FOOTE/DANA TRANSAXLE - MODEL NUMBER 4360-07

TRANSAXLE



REPAIR PARTS

12.5 HP 42" RIDING LAWN TRACTOR - - MODEL NUMBER YE12542A FOOTE/DANA TRANSAXLE - MODEL NUMBER 4360-07

TRANSAXLE

| KEY PART NO. NO. | DESCRIPTION | KEY PART NO. NO. | DESCRIPTION |
|------------------|---|------------------|---|
| 1 3865 | Housing, Upper | 41 3645 | Sprocket, 9 Teeth |
| 2 1919 | Screw, Tapping, Large 1/4-20 x .734 | 42 3853 | Gear, Bevel, 42 Teeth |
| 3 1151 | Ball, Detent | 43 3749 | * Washer, Plain .758 x 1.12 x .010 |
| 4 3626 | Spring, Detent | 3652 | * Washer, Plain .758 x 1.12 x .015 |
| 5 3623 | Screw, Set | 3693 | * Washer, Plain .758 x 1.12 x .020 |
| 6 4336 | Assembly, Shifter | 3653 | * Washer, Plain .758 x 1.12 x .025 |
| 7 3884 | O-Ring | 3408 | * Washer, Plain .758 x 1.25 x .020 |
| 8 3885 | * Washer, Plain .505 x .942 x .006 | 3732 | * Washer, Plain .758 x 1.25 x .025 |
| 3886 | * Washer, Plain .505 x .942 x .010 | 3184 | * Washer, Plain .758 x 1.25 x .031 |
| 3887 | * Washer, Plain .505 x .942 x .015 | 3733 | * Washer, Plain .758 x 1.25 x .035 |
| 3888 | * Washer, Plain .505 x .942 x .020 | 3198 | * Washer, Plain .758 x 1.25 x .040 |
| 3889 | * Washer, Plain .505 x .942 x .026 | 3734 | * Washer, Plain .758 x 1.25 x .045 |
| 3121 | * Washer, Plain .505 x .942 x .030 | 3735 | * Washer, Plain .758 x 1.25 x .050 |
| 3890 | * Washer, Plain .505 x .942 x .040 | 3736 | * Washer, Plain .758 x 1.25 x .055 |
| 9 1100 | Ring, Retaining | 3180 | * Washer, Plain .758 x 1.25 x .062 |
| 10 1099 | Ring, Retaining | 44 3882 | Shaft, Drive |
| 11 1959 | * Washer, Plain .632 x 1.00 x .010 | 45 3646 | Gear, Spur, 12 Teeth |
| 1441 | * Washer, Plain .632 x 1.00 x .020 | 46 3707 | Gear, Spur, 15 Teeth |
| 1423 | * Washer, Plain .632 x 1.00 x .026 | 47 3866 | Gear, Spur, 20 Teeth |
| 1082 | * Washer, Plain .632 x 1.00 x .031 | 48 3719 | Gear, Spur, 25 Teeth |
| 1424 | * Washer, Plain .632 x 1.00 x .036 | 49 3868 | Gear, Spur, 28 Teeth |
| 1068 | * Washer, Plain .632 x 1.00 x .041 | 50 3683 | Gear, Spur, 31 Teeth |
| 1425 | * Washer, Plain .632 x 1.00 x .046 | 51 1145 | Washer, Plain .632 x 1.00 x .060 |
| 1358 | * Washer, Plain .632 x 1.00 x .050 | 52 3191 | Seal, Felt |
| 1145 | * Washer, Plain .632 x 1.00 x .060 | 53 3180 | Washer, Plain .758 x 1.25 x .062 |
| 1319 | * Washer, Plain .632 x 1.00 x .082 | 54 3880 | Axle, Left Hand |
| 12 3312 | O-Ring | 55 3780 | Gear, Miter, 15 Teeth |
| 13 3876 | Washer, Plain .632 x 1.38 x .046 | 56 3656 | Ring, Retaining |
| 14 1374 | Key, Woodruff #9 | 57 3839 | Gear, Spur, 32 Teeth |
| 15 4134 | Assembly, Kit, Input Shaft | 58 3919 | Shaft, Cross |
| 16 3590 | Pinion, Bevel, 14 Teeth | 59 3781 | Gear, Miter, 15 Teeth |
| 17 3624 | Ring, Retaining | 60 3881 | Axle, Right Hand |
| 18 3625 | Chain, 24 Pitches | 61 3864 | Housing, Lower |
| 19 1542 | Bearing, Flange | 62 3920 | Puck, Friction |
| 20 3773 | Gear, Spur, 14 Teeth | 63 3276 | Disc, Brake |
| 21 3631 | Collar, Clutch | 64 3758 | Spacer |
| 22 3828 | Key, Clutch | 65 3916 | Jaw, Brake |
| 23 1369 | Key, Woodruff | 66 3843 | Pin, Dowel |
| 24 3883 | Shaft, Intermediate | 67 3915 | Screw, Tapping, Large 5/16-18 x 2.25 |
| 25 1375 | Key, Woodruff #61 | 68 3768 | Lever, Actuating |
| 26 3627 | Ring, Retaining | 69 3760 | Washer, Plain .321 x 1.00 x .055 |
| 27 3830 | Sprocket, 18 Teeth | 70 3917 | Bracket, Anti-Rotation |
| 28 3841 | Spacer | 71 3847 | Locknut 5/16-24 |
| 29 3786 | Gear, Spur, 37 Teeth | 72 3724 | Screw, Tapping, Large 5/16-18 x 1.44 |
| 30 3785 | Gear, Spur, 35 Teeth | 73 3906 | Washer, Plain .343 x .81 x .059 |
| 31 3867 | Gear, Spur, 30 Teeth | 74 3907 | Puck, Friction |
| 32 3783 | Gear, Spur, 25 Teeth | 75 4300 | Grease |
| 33 3869 | Gear, Spur, 22 Teeth | | |
| 34 3741 | Gear, Spur, 19 Teeth | | |
| 35 3628 | Washer, Plain .640 x 1.37 x .061 | | |
| 36 1423 | Washer, Plain .632 x 1.00 x .026 | | |
| 37 3422 | Spacer .630 x 1.00 x .169 | | |
| 38 4286 | Assembly, Gear, Combination of 12 Teeth and 35 Teeth | | |
| 3877 | Shaft, Idler | | |
| 3901 | Spacer .635 x .875 x .755 | | |

* Use In Various Combinations To Maintain Proper Clearances.

** Order Key Number 15

NOTE: All component dimensions given in U.S. inches
1 inch = 25.4 mm