



# SPARE PARTS LIST

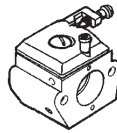
CHAIN SAWS

142, 2007-01

[www.emc-motoculture.com](http://www.emc-motoculture.com)

PARTS LIST NO. <b>530165406</b>		<b>Husqvarna® PARTS LIST</b>	CHAIN SAW MODEL(s) <b>142 Export</b>
DATE <b>9/18/06</b>	Replaces 530165406 - 05/24/06		<b>Note:</b> Illustration may differ from actual model due to design changes

**Kit - Carburetor Assembly No. 530071987 - Zama W-29**



Carb  
Repair  
Kit

1

**⚠ WARNING**

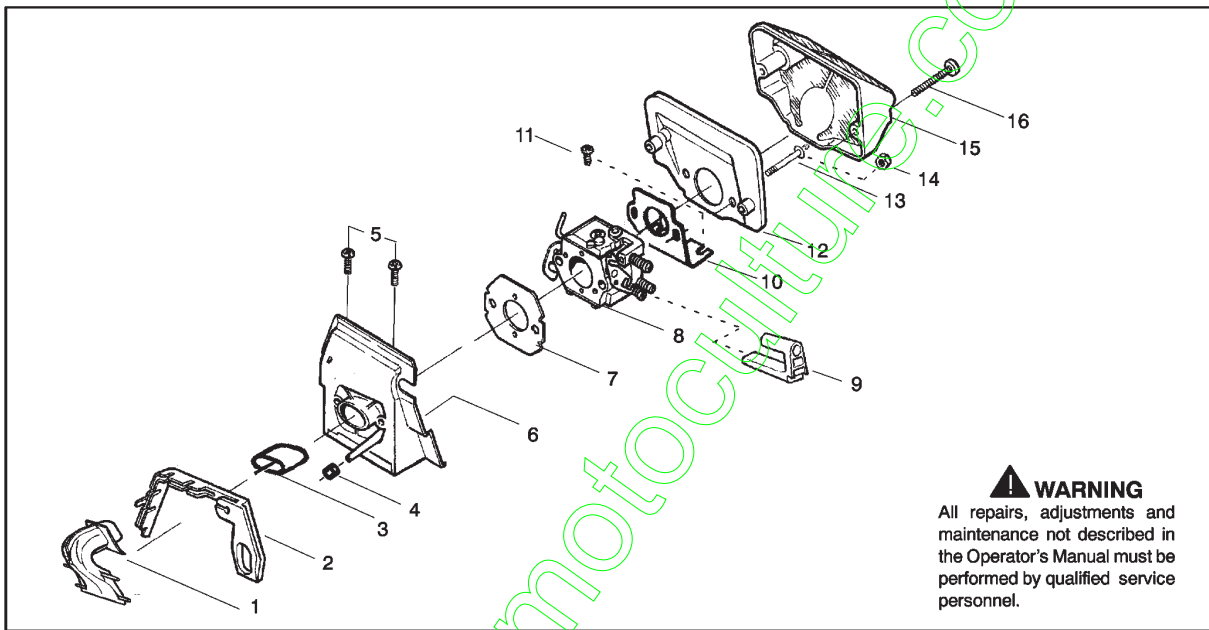
All repairs, adjustments and maintenance not described in the Operator's Manual must be performed by qualified service personnel.

✓ = NEW PART NUMBER FOR THIS IPL      \* = REFER TO THE SERVICE REFERENCE INDICATED FOR MORE INFORMATION. (LOCATED AT END OF IPL)  
● = THESE PARTS ARE ILLUSTRATED FOR CLARITY. ORDER COMPLETE ASSEMBLY.

Référence	Numéro de Pièce	Description	Remarque	QTÉ Kit équipement
1	530 03 52-69	KIT DE RÉPARATION		1

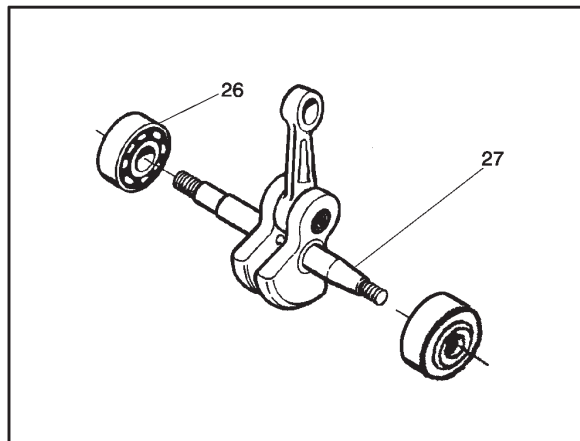
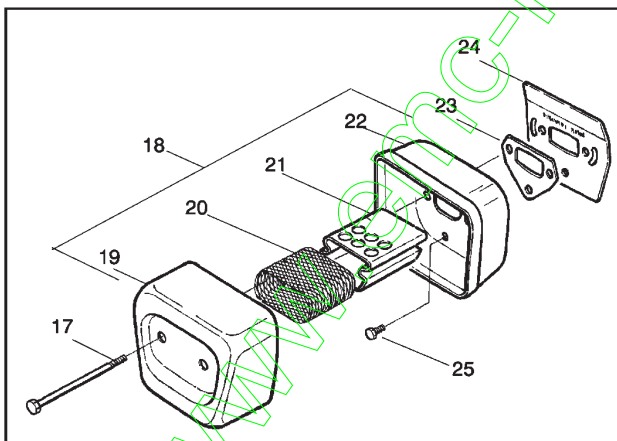
[www.emc-motoculture.com](http://www.emc-motoculture.com)

PARTS LIST NO. <b>530165406</b>		<b>Husqvarna® PARTS LIST</b>	CHAIN SAW MODEL(s) <b>142 Export</b>
DATE <b>9/18/06</b>	Replaces 530165406 - 05/24/06		<b>Note:</b> Illustration may differ from actual model due to design changes



**⚠ WARNING**

All repairs, adjustments and maintenance not described in the Operator's Manual must be performed by qualified service personnel.



✓ = NEW PART NUMBER FOR THIS IPL  
 ● = THESE PARTS ARE ILLUSTRATED FOR CLARITY. ORDER COMPLETE ASSEMBLY.

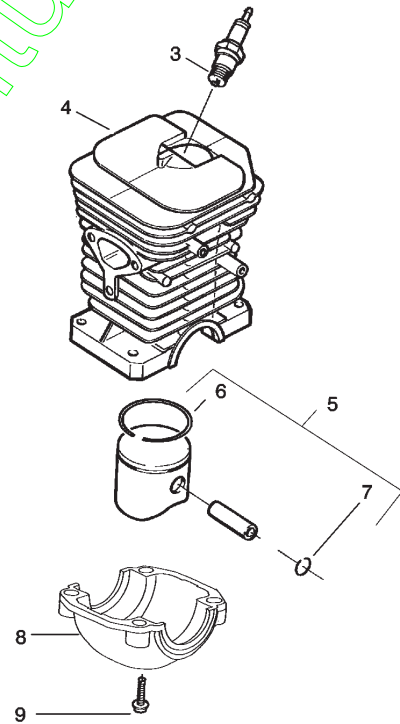
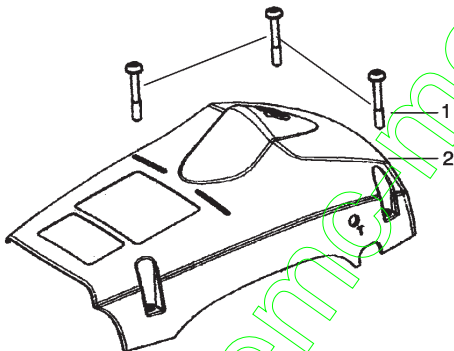
Référence	Numéro de Pièce	Description	Remarque	QTÉ Kit équipement
1	530 02 98-13	GICLEUR		1
2	530 01 92-03	JOINT		1
3	530 02 98-14	TUBE		1
4	530 05 34-35	TUYAU		1
5	530 01 58-14	VIS		1
6	530 03 74-65	ADAPTATEUR		1
7	530 01 91-72	JOINT		1
8	530 07 19-87	CARBURATEUR		1
9	530 03 55-87	PASSAGE		1
10	530 04 77-67	SUPPORT		1
11	530 01 58-96	VIS		1
12	530 03 65-82	HOLDER		1
13	530 01 59-68	VIS		1
14	530 01 60-08	ÉCROU		1
15	545 05 78-01	CARTER DE FILTRE		1
16	530 01 58-99	VIS		1
17	530 01 60-44	BOULON		1
18	530 06 94-15	SILENCIEUX		1
19	530 03 72-54	SILENCIEUX		1
20	530 02 98-10	ECRAN		1
21	530 03 72-46	FLAME PROTECTION		1
22	530 03 72-51	SILENCIEUX		1
23	530 01 92-05	JOINT		1
24	530 03 76-40	PLAQUE		1
25	530 01 59-02	VIS		1
26	530 05 63-63	ROULEMENT		1
27	530 02 97-94	VILEBREQUIN		1

www.emc-motoculture.com

PARTS LIST NO. <b>530165406</b>		<b>Husqvarna® PARTS LIST</b>	CHAIN SAW MODEL(s) <b>142 Export</b>
DATE <b>9/18/06</b>	Replaces 530165406 - 05/24/06		<b>Note:</b> Illustration may differ from actual model due to design changes

**⚠ WARNING**

All repairs, adjustments and maintenance not described in the Operator's Manual must be performed by qualified service personnel.



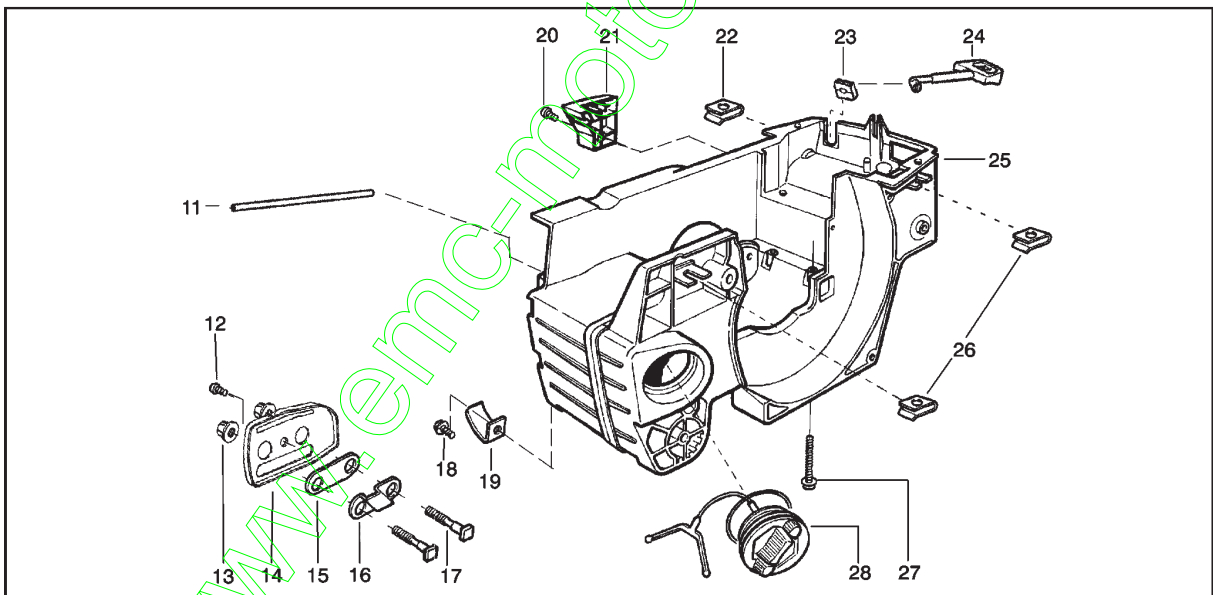
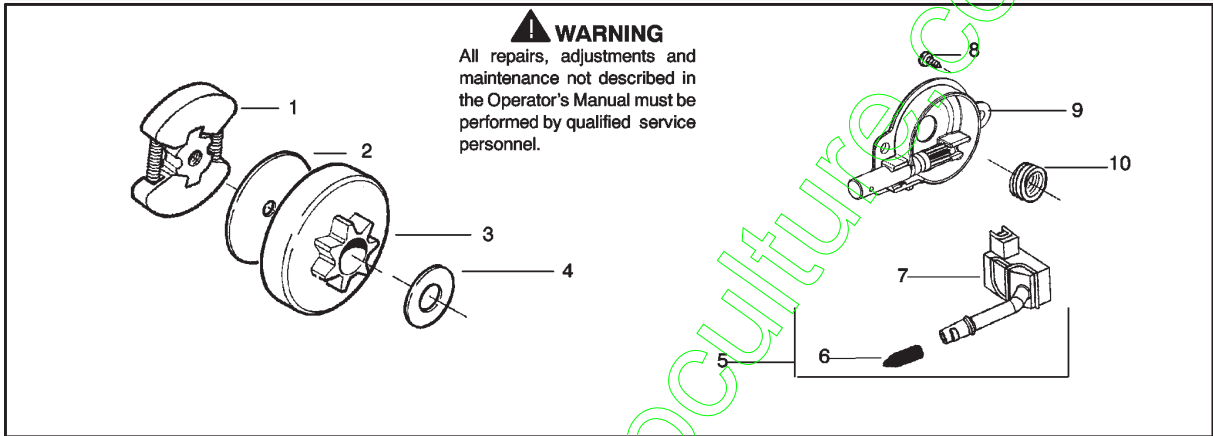
✓ = NEW PART NUMBER FOR THIS IPL

\* = REFER TO THE SERVICE REFERENCE INDICATED FOR MORE INFORMATION. (LOCATED AT END OF IPL)

Référence	Numéro de Pièce	Description	Remarque	Qté Kit équipement
1	530 01 61-54	VIS		1
2	530 05 99-60	CAPOT DE CYLINDRE		1
3	952 03 01-50	BOUGIE D'ALLUMAGE		1
4	530 06 99-41	CYLINDRE		1
5	530 06 94-54	PISTON		1
6	530 02 99-82	SEGMENT		1
7	530 01 56-97	CIRCLIPS		1
8	530 04 97-94	CARTER MOTEUR		1
9	530 01 58-97	VIS		1

[www.emc-motoculture.com](http://www.emc-motoculture.com)

PARTS LIST NO. <b>530165406</b>		<b>Husqvarna® PARTS LIST</b>	CHAIN SAW MODEL(s) <b>142 Export</b>
DATE <b>9/18/06</b>	Replaces 530165406 - 05/24/06		<b>Note:</b> Illustration may differ from actual model due to design changes



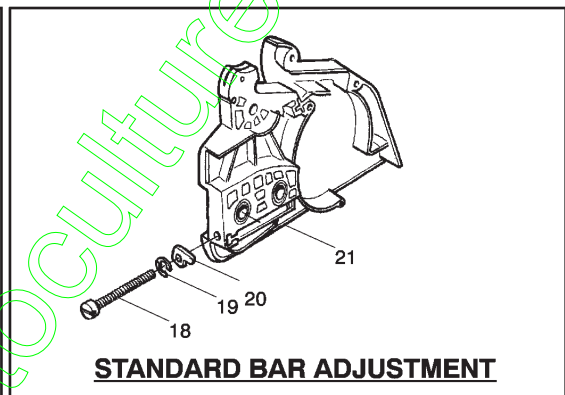
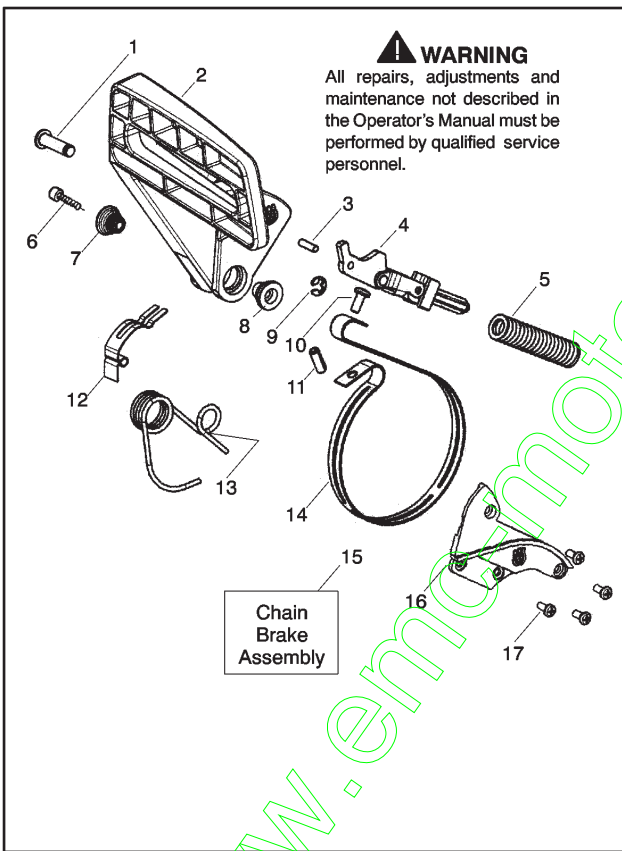
✓ = NEW PART NUMBER FOR THIS IPL      \* = REFER TO THE SERVICE REFERENCE INDICATED FOR MORE INFORMATION. (LOCATED AT END OF IPL)  
 ● = THESE PARTS ARE ILLUSTRATED FOR CLARITY. ORDER COMPLETE ASSEMBLY.



Référence	Numéro de Pièce	Description	Remarque	QTÉ Kit équipement
1	530 01 49-49	EMBRAYAGE		1
2	530 01 56-11	RONDELLE		1
3	530 04 70-61	TAMBOUR D EMBRAYAGE COMPLET		1
3	530 04 81-32	TAMBOUR D'EMBRAYAGE		1
4	530 01 59-07	RONDELLE		1
5	530 01 47-76	OIL PICK-UP		1
6	530 05 65-33	ECRAN		1
7	545 03 71-01	JOINT		1
8	530 01 58-96	VIS		1
9	530 01 44-10	POMPE À HUILE		1
10	530 02 98-33	POMPE		1
11	545 03 35-01	TUYAU		1
12	530 01 58-96	VIS		1
13	530 01 59-17	ÉCROU		1
14	530 04 78-55	PLAQUE		1
15	530 01 92-28	JOINT		1
16	530 03 60-43	SUPPORT		1
17	530 01 58-77	BOULON		1
18	530 01 58-78	VIS		1
19	530 02 98-50	CAPTEUR DE CHAÎNE		1
20	530 01 58-93	VIS		1
21	530 05 24-28	CARTER		1
22	530 01 59-22	ÉCROU		1
23	530 02 98-30	GUIDE		1
24	530 02 98-31	COMMANDE DE STARTER		1
25	530 07 19-91	CARTER MOTEUR		1
26	530 01 59-22	ÉCROU		1
27	530 01 60-37	VIS		1
28	501 76 56-02	BOUCHON DE RÉSERVOIR COMPLET		1

www.emc-motoculture.com

PARTS LIST NO. <b>530165406</b>		<b>Husqvarna® PARTS LIST</b>	CHAIN SAW MODEL(S) <b>142 Export</b>
DATE <b>9/18/06</b>	Replaces 530165406 - 05/24/06		<b>Note:</b> Illustration may differ from actual model due to design changes



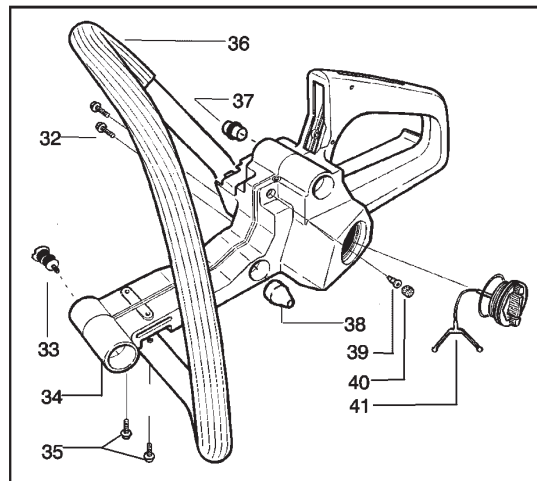
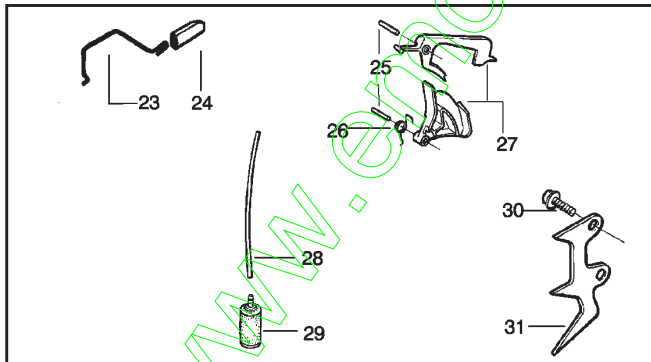
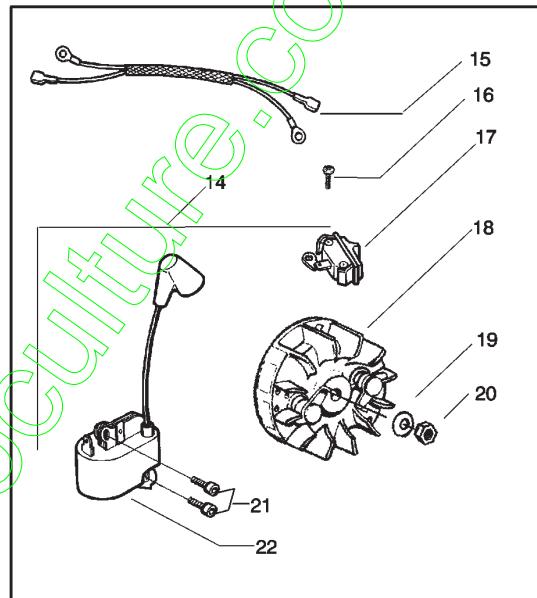
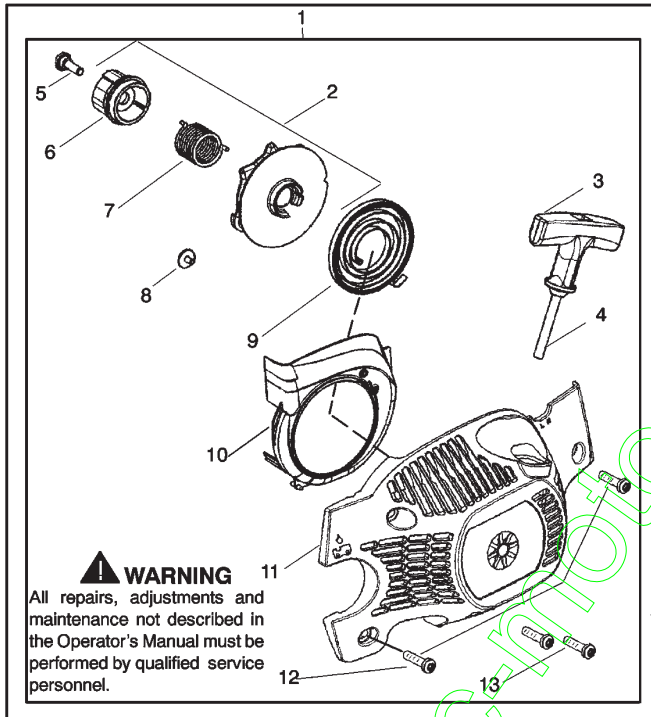
✓ = NEW PART NUMBER FOR THIS IPL

\* = REFER TO THE SERVICE REFERENCE INDICATED FOR MORE INFORMATION. (LOCATED AT END OF IPL)

Référence	Numéro de Pièce	Description	Remarque	Qté Kit équipement
1	530 02 98-79	VIS		1
2	530 07 13-48	LEVIER		1
3	530 01 59-15	VIS		1
4	530 05 47-41	KNEE LINK		1
5	530 01 62-37	RESSORT		1
6	530 01 63-84	VIS		1
7	530 05 65-31	PIVOT		1
8	530 02 98-81	PIVOT		1
9	530 02 44-19	CIRCLIP		1
10	530 01 59-11	VIS		1
11	530 01 59-13	STYLO		1
12	530 02 98-78	RESSORT		1
13	530 01 59-10	RESSORT		1
14	530 05 22-32	BANDE DE FREIN		1
15	530 05 22-32	BANDE DE FREIN		1
530054802	530 05 48-02	FREIN DE CHAÎNE COMPLET		1
16	530 05 30-35	CARTER		1
17	530 01 59-11	VIS		1
18	530 01 61-10	VIS		1
19	530 03 85-93	SUPPORT		1
20	530 01 58-26	STYLO		1
21	530 01 58-26	STYLO		1
530049483	530 04 94-83	CARTER D'EMBRAYAGE		1
530031135	530 03 11-35	CLE ALLEN		1
530047839	530 04 78-39	DECAL		1
545003026	545 00 30-26	AUTOCOLLANT		1

www.emc-motoculture.com

PARTS LIST NO. <b>530165406</b>		<b>Husqvarna® PARTS LIST</b>	CHAIN SAW MODEL(s) <b>142 Export</b>
DATE <b>9/18/06</b>	Replaces 530165406 - 05/24/06		NOTE: Illustration may differ from actual model due to design changes



✓ = NEW PART NUMBER FOR THIS IPL    \* = REFER TO THE SERVICE REFERENCE INDICATED FOR MORE INFORMATION. (LOCATED AT END OF IPL)  
● = THESE PARTS ARE ILLUSTRATED FOR CLARITY. ORDER COMPLETE ASSEMBLY.

Référence	Numéro de Pièce	Description	Remarque	Qté Kit équipement
1	530 07 19-68	STARTER DEVICE		1
2	530 07 19-66	POULIE DE LANCEUR		1
3	530 15 03-18	POIGNÉE		1
4	530 06 92-32	CORDE		1
5	530 02 11-79	VIS		1
6	530 05 96-77	DOUILLE		1
7	530 02 11-80	RESSORT		1
8	530 01 60-80	VIS		1
9	530 04 20-95	RESSORT		1
10	530 05 99-59	PLAQUE		1
11	530 05 99-58	LANCEUR		1
12	530 01 58-93	VIS		1
13	530 01 58-92	VIS		1
14	530 07 19-67	BLOC ELECTRONIQUE		1
15	530 40 32-57	CÂBLE		1
16	530 01 58-96	VIS		1
17	503 71 79-01	BOUTON D'ARRÊT		1
18	530 05 96-37	VOLANT COMPLET		1
19	530 01 51-27	RONDELLE		1
20	530 01 61-34	ÉCROU		1
21	545 00 39-02	VIS		1
22	530 03 92-39	BLOC ELECTRONIQUE		1
23	530 02 98-69	TIGE D'ACCELERATION		1
24	530 02 98-63	ENJOLIVEUR		1
25	530 02 98-60	VIS		1
26	530 02 98-61	RESSORT		1
27	530 06 95-87	THROTTLE TRIGGER		1
28	530 06 92-47	TUYAU		1
29	530 01 44-97	FILTRE		1
30	530 01 64-39	VIS		1
31	530 01 43-81	FELLING DOG		1
32	530 01 59-40	VIS		1
33	530 02 98-70	ISOLATEUR		1
34	530 05 24-46	RÉSERVOIR		1
35	530 01 58-43	VIS		1
36	530 05 99-61	POIGNÉE		1
37	530 05 24-39	MOVEMENT LIMITER		1
38	530 02 99-84	LIMITER		1
39	530 02 61-19	SOUPAPE		1
40	530 03 82-64	BOUCHON		1
41	530 07 12-66	ENJOLIVEUR		1

www.enj-motoculture.com