

2035

Spare parts

Ersatzteile

Pièces détachées

Reserve onderdelen

Repuestos

Reservdelar

Replaces

Ersetzt

Remplace

Vervangt

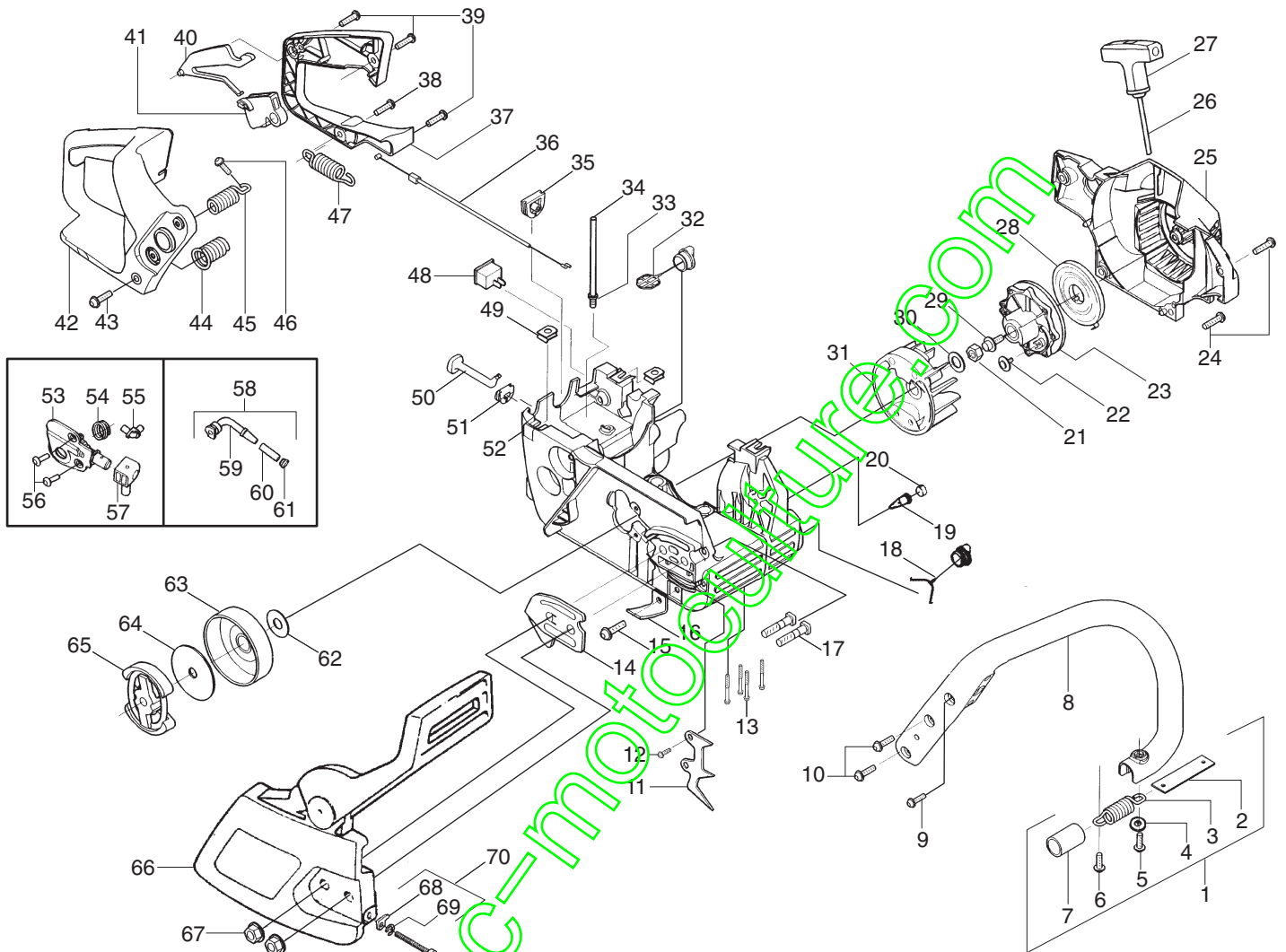
Reemplaza

Ersätter

106 25 25-61

www.emc-motoculture.com

A



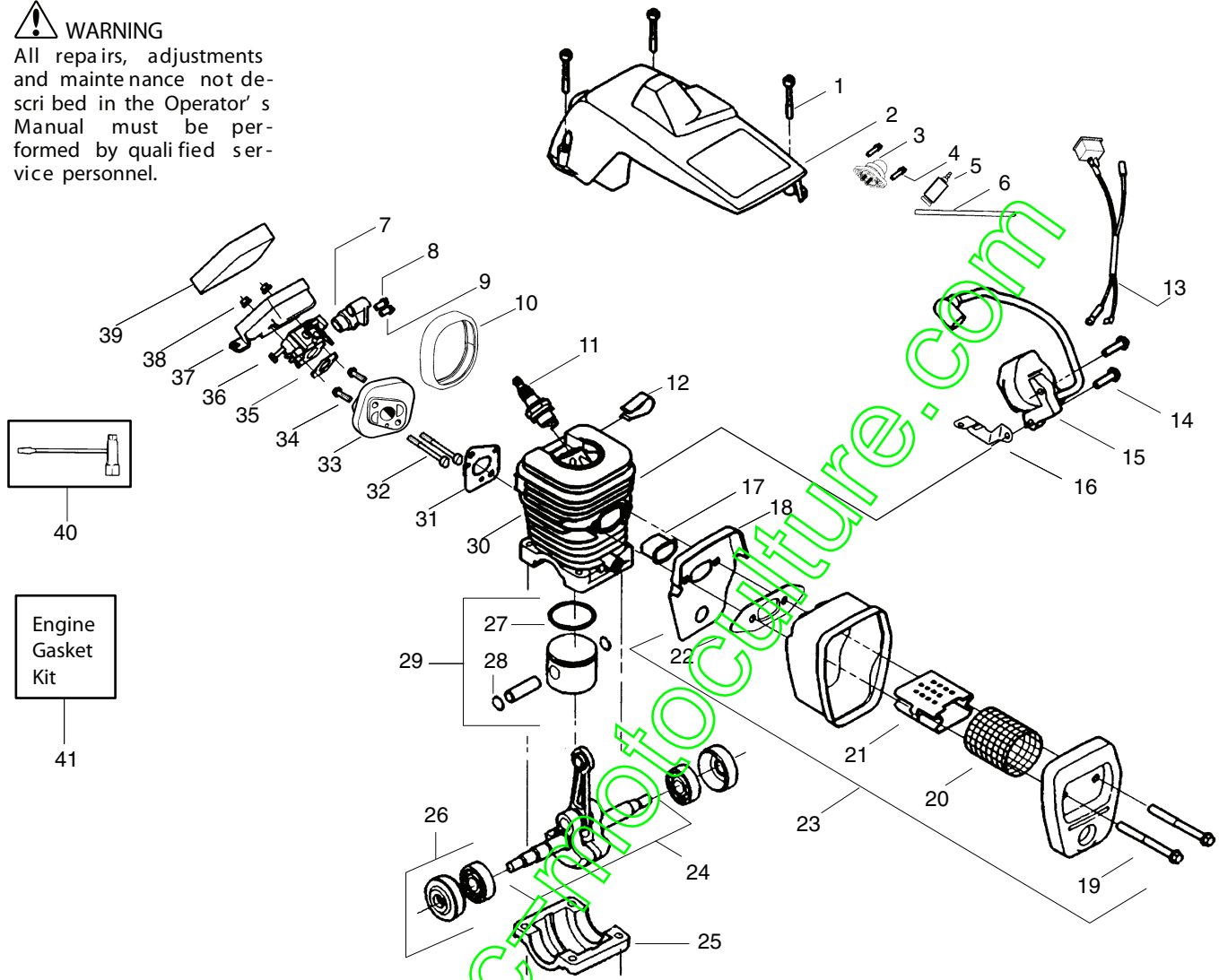
Ref.	Part No.	Description	Ref.	Part No.	Description	Ref.	Part No.	Description
1.	530 04 79-63 N	Assy.—Isolator	25.	530 05 37-44	Assy—Fan Housing	50.	530 04 76-05	Knob—Choke
2.	530 04 76-08	Limiter Strap	26.	530 06 92-32	Kit — Rope	51.	530 04 90-05	Grommet—Knob
3.	530 04 20-82	Spring—Isolator	27.	530 03 74-85	Handle—Starter	52.	530 05 37-41	Assy—Chassis
4.	530 01 51-23	Washer	28.	530 02 75-31	Spring—Recoil	53.	530 07 12-59	Kit — Oil Pump
5.	530 01 60-18	Screw	29.	530 01 59-20	Screw	54.	530 03 78-20	Gear—Worm Spring
6.	530 01 58-43	Screw	30.	530 01 51-27	Washer—Flywheel	55.	530 04 94-77	Elbow—Oil Pickup
7.	530 03 61-42	Sleeve—AV Spring	31.	530 03 92-09	Assy—Flywheel	56.	530 01 60-64	Screw
8.	530 04 75-83	Handle—Front	32.	530 04 71-92	Assy—Fuel Cap	57.	530 01 92-06 N	Seal Block
9.	530 01 59-40 N	Screw	33.	530 02 38-77 N	Fitting—fuel line	58.	530 04 76-63	Assy—Oil Pickup
10.	530 01 58-14	Screw	34.	530 06 92-16 N	Kit—Fuel line (large)	59.	530 03 83-73	Pickup—Oiler
11.	530 01 43-81 N	Kit—Spike (Incl.# 12)	35.	530 04 76-31	Grommet—Ca ble	60.	530 03 78-21	Filter—Oil
12.	530 01 58-86 N	Screw	36.	530 04 76-02	Cable—Throttle	61.	530 03 01-89	Plug—Oil Filter
13.	530 01 61-32	Screw	37.	530 04 75-81	Cover—Rear Handle	62.	530 01 59-07	Washer—Thrust
14.	530 03 82-38	Plate—Bar Mounting	38.	530 01 58-86	Screw	63.	530 04 70-61	Assy.—Clutch Drum w/bearing
15.	530 01 58-14	Screw	39.	530 01 59-06	Screw	64.	530 01 56-11	Washer—Clutch
16.	530 02 98-50	Chain Catcher	40.	530 03 60-98	Throttle Lockout	65.	530 01 49-49	Assy. Clutch
17.	530 01 61-33 N	Bolt—Bar	41.	530 03 60-97	Trigger—Throttle	66.	530 05 37-46	Assy—Chain Brake
18.	530 01 08-46	Assy—Oil Cap	42.	530 04 75-82	Handle — Rear	67.	530 01 59-17	Nut—Bar Mounting
19.	530 02 61-19	Check Valve	43.	530 01 58-14 N	Screw	68.	530 01 58-26	Pin—Bar Adjustment
20.	530 03 82-64	Plug—Bronze Vent	44.	530 05 32-74	Assy. Isolator — lower	69.	530 03 85-93	Retainer—Bar Adjust
21.	530 01 61-34	Nut—Flywheel	45.	530 07 13-85 N	Kit—Isolator (Upper)	70.	530 06 96-11	Kit—Bar Adjust
22.	530 01 60-80	Screw	46.	530 01 58-75	Screw			(incl. 68,69)
23.	530 03 78-17	Starter Pulley	47.	530 04 20-82	Spring—Isolator			
24.	530 01 58-92	Screw	48.	530 06 95-72	Kit—S witch			
			49.	530 01 59-22	Nut—"U" —Type			

N = NEW PART NUMBER FOR THIS IPL

B

⚠ WARNING

All repairs, adjustments and maintenance not described in the Operator's Manual must be performed by qualified service personnel.

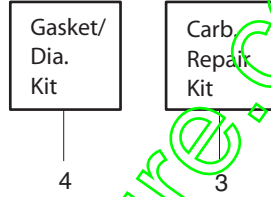
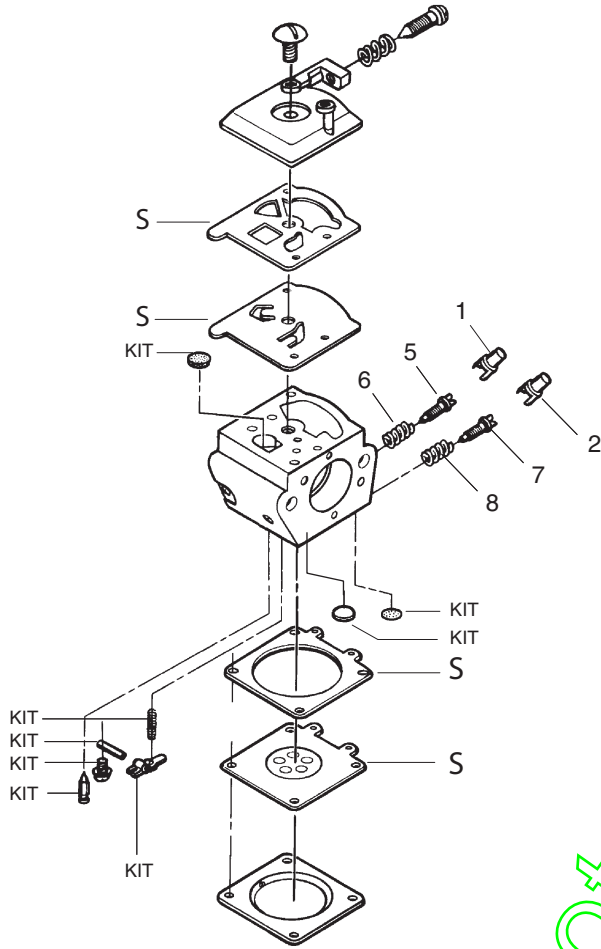


Ref.	Part No.	Description	Ref.	Part No.	Description	Ref.	Part No.	Description
1.	530 01 61-02	Screw	18.	530 04 98-70	Plate-Muffler Back	35.	530 01 92-39	Carb. Gasket
2.	530 04 75-78 N	Shield-Cylinder	19.	530 01 61-32	Screw	36.	530 06 97-22	Kit-Carburetor (incl. 8,9)
3.	530 04 72-13	Assy-Air Purge	20.	530 03 61-03	Screen-Spark	37.	530 04 76-04	Housing-Air Filter
4.	530 01 57-80 N	Screw	21.	530 03 78-13	Muffler Diffuser	38.	530 01 61-01	Nut
5.	530 09 56-46 N	Assy-Fuel Pick-up	22.	530 01 92-21	Muffler Gasket	39.	530 03 77-93	Air Filter - Foam
6.	530 06 92-47 N	Kit-Line Purge/Carb. (Small Dia)	23.	530 04 72-07	Muffler Assy. (Incl. 18-22)	40.	530 03 11-35	Scrench
7.	530 04 92-44	Grommet-Carb Adjust.	24.	530 04 70-62	Assy-Crankshaft	41.	530 06 96-08	Kit-Engine Gasket (incl. 22,31,35)
8.	530 04 91-28	Limiter Cap-High	25.	530 03 79-35	Cap-Crankcase		Not Shown	
9.	530 04 91-29	Limiter Cap-Low	26.	530 01 92-59 N	Assy-Seal & Bearing			
10.	530 05 41-44 N	Seal-Carb Adapter	27.	530 02 98-05	Ring-Piston			
11.	503 23 51-08	Spark Plug (RCJ-7Y)	28.	530 01 56-97	Retainer - Piston Pin			
12.	530 01 61-36	Clip-High Tension Lead	29.	530 06 97-19 N	Kit-Piston - (incl. 27-28)			
13.	530 04 91-17	Assy-Wire Harness (includes switch)	30.	530 07 12-55	Kit-Cylinder			
14.	530 01 58-14	Screw	31.	530 01 92-49	Gasket - Carb. Adapter		530 08 74-22	Manual-Euro I
15.	530 05 22-77	Module-Ignition	32.	530 01 61-87	Screw		530 08 74-24	Manual-Scan
16.	530 04 74-42	Strap-Ground	33.	530 04 97-00	Adapter-Carb.		530 08 74-25	Manual-Euro II
17.	530 03 76-52	Insulator-Heat	34.	530 01 58-10	Screw			

N = NEW PART NUMBER FOR THIS IPL

C

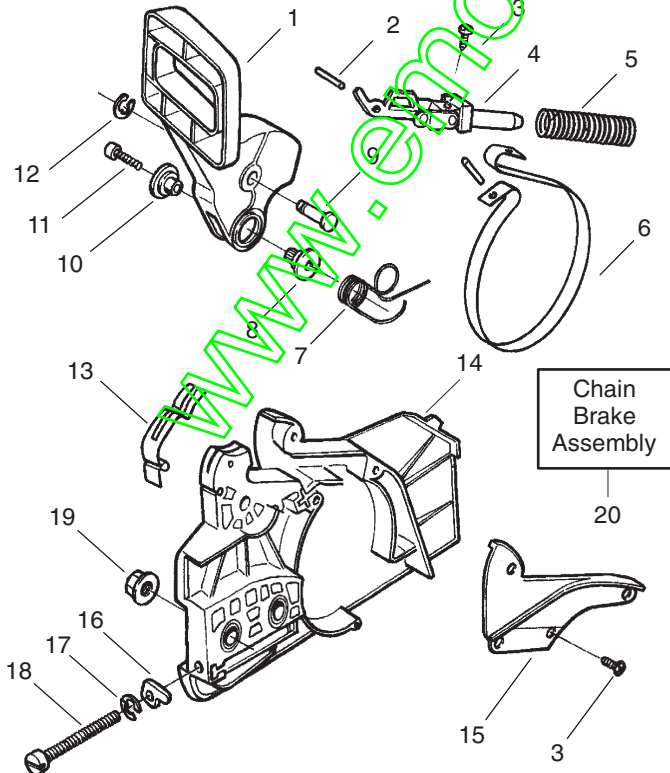
Carburetor Assembly WT 391 #530 06 97-22



Ref.	Part No.	Description
1.	530 03 83-18	Limiter Cap-High
2.	530 03 83-17	Limiter Cap-Low
3.	530 06 98-26	Carburetor Repair Kit (KIT= Indicates Contents)
4.	530 06 98-44	Gasket/Diaphragm Kit (D=Indicates Contents)
5.	530 03 53-83	Low Speed Needle
6.	530 03 52-93	Needle Spring Low Speed
7.	530 03 53-84	High Speed Needle
8.	530 03 52-95	Needle Spring High Speed

N = NEW PART NUMBER FOR THIS IPL

D



Ref.	Part No.	Description
1.	530 07 13-47 N	Kit-Lever & Link
2.	530 01 59-13	Spring Pin
3.	530 01 59-11	Screw
4.	530 05 47-41 N	Front & Rear Link Ass'y.
5.	530 01 62-37	Spring Compression
6.	530 05 22-32	Brake Band
7.	530 01 59-10	Handguard Spring
8.	530 04 90-75	Journal-Right
9.	530 02 98-79	Pivot Pin
10.	530 02 98-81	Journal-Left
11.	530 01 59-14	Screw
12.	530 03 85-93	Retainer
13.	530 02 98-78	Position Spring
14.	530 05 37-46	Clutch Cover
15.	530 03 86-79	Chain Brake Cover
16.	530 01 58-26	Bar Adjusting Pin
17.	530 03 85-93	Retainer
18.	530 01 61-10	Screw-Bar Adjusting
19.	530 01 59-17	Nut
20.	530 05 37-46	Chain Brake Assembly

N = NEW PART NUMBER FOR THIS IPL