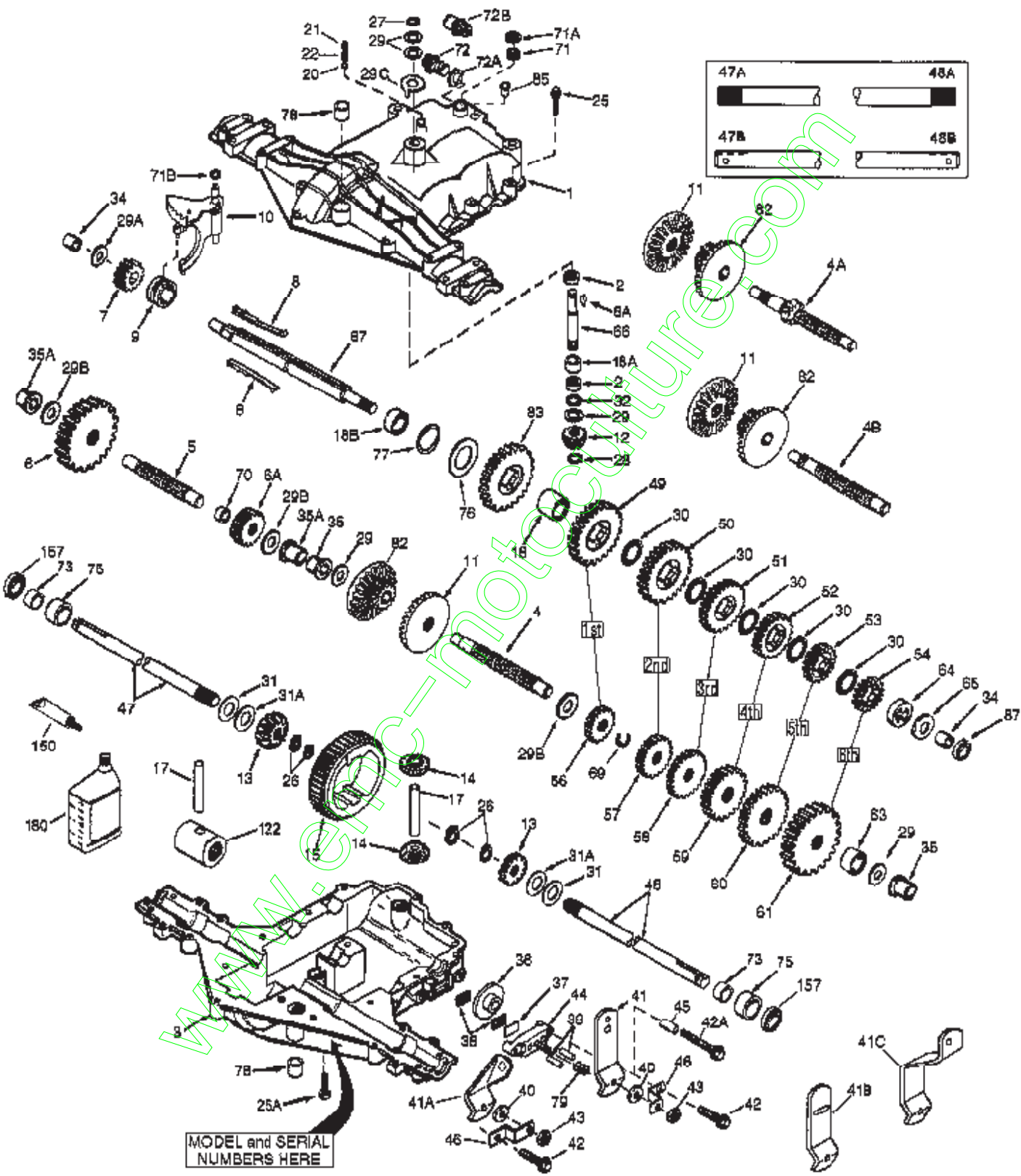


47A	48A
47B	48B



MODEL and SERIAL
NUMBERS HERE

Ref #	Part Number	Qty	Description
1	772147	1	Transaxle Cover
2	780086A	2	Needle Bearing 5/8"
3	770128	1	Transaxle Case
4	776395	1	Countershaft
5	776409	1	Output Shaft
6	778364	1	Spur Gear (38 teeth)
6A	778369	1	Spur Gear(15 teeth)
7	778330	1	Spur Gear (11 teeth)
8A	792047	1	Woodruff Key #9
8	792180	2	Shift Key
9	784352	1	Shift Collar
10	784378	1	Shift Rod & Fork
11	778334	1	Bevel Gear (30 teeth)
12	778309	1	Peerless Input Bevel Pinion (13 teeth)
13	778368	2	Bevel Gear (13 teeth) (Incl. 14)
14	778368	2	Bevel Pinion (13 teeth) (Incl. 13)
15	778370	1	Ring Gear (43 teeth)
17	786188	1	Drive Pin
18	786102	1	Spacer 1.130 X .695
20	792077A	1	Ball 5/16" dia
21	792211	1	Cap Screw 3/8-16 x 3/8"
22	792079	1	Spring .310 OD x .625 L
25	792073A	17	Screw 1/4-20 x 1-1/4"
25A	792177	2	Screw 1/4-20 x 1-3/8"
26	792125	4	Retaining Ring (pkg of 2)
27	792035	1	Retaining Ring
28	788040	1	Retaining Ring
29A	780160	1	Thrust Washer .563 ID x .031W
29	780072	4	Thrust Washer .627 ID x .031W
29C	780199	1	Anti-Rotation Washer .632
29B	780051	3	Thrust Washer .762 ID x .031W
30	780108	4	Cup Washer 1.127 ID x .032W
31	780001	2	Flat Washer .750 ID x .056W (Use As Needed)
31A	780195	2	Flat Washer .750 ID x .062W
32	788083	1	Oil Seal 5/8"
34	780194	2	Bushing .563
35A	780197	2	Flanged Bushing .751
35	780193	2	Flanged Bushing 5/8" ID
36	790075	1	Brake Disk
37	790007	1	Brake Pad Plate
38	799021	2	Brake Pad (pkg of 2)
39	786026	2	Dowel Pin
40	792076A	1	Flat Washer .312 ID x .059W
41A	790079	1	Brake Lever
42A	792085A	1	Screw 1/4-20 x 2-1/4"
42	792073A	1	Screw 1/4-20 x 1-1/4"
43	792075	1	Locknut 5/16-24
44	790025	1	Brake Pad Holder
45	786066	1	Spacer .2625 x 1.0
46	786086	1	Brake Lever Bracket
47	774690	1	Axle (11-15/16" long)
48	774691	1	Axle (16-1/2" long)
49	778356	1	Spur Gear (29 teeth)
50	778354	1	Spur Gear (23 teeth)
51	778352	1	Spur Gear (19 teeth)
52	778350	1	Spur Gear (16 teeth)

205-205-5446
Peerless

Page 2 of 3

www.emc-machinery.com

Ref #	Part Number	Qty	Description
53	778346	1	Spur Gear (15 teeth-steel)
56	778355	1	Spur Gear (11 teeth)
57	778353	1	Spur Gear (17 teeth)
58	778351	1	Spur Gear (21 teeth)
59	778349	1	Spur Gear (24 teeth)
60	778345	1	Spur Gear (25 teeth)
63	786071	1	Countershaft Spacer 1-1/8" x 3/8"
64	786072	1	Brake Shaft Spacer 1-3/8" x 3/8"
65	780189	1	Flat Washer .563 ID x .062W
66	776422	1	Input Shaft
67	776396	1	Shifter & Brake Shaft
69	792170	1	Retaining Ring
70	786187	1	Spacer .990
71B	788092	Peerless	"O" Ring
76	780090	1	Flat Washer 1.128 ID x .058W
77	788078A	1	Inverted Retaining Ring
79	792144	1	Spring .430 OD x .5000 L
82	778333	1	Bevel & Spur Gear (30 & 13 teeth)
83	778338	1	Spur Gear (27 teeth)
85	792154	1	Oil Fill Plug
87	788089A	1	Oil Seal 9/16"
150	788093A	1	Liquid Gasket RTV Silicone
157	788088A	2	Oil Seal 3/4"
180	730229A	1	Gear Oil 80W90
900	794711	1	Replacement MST-205-544C Transaxle

205-205-544C Page 3 of 3

www.emc-motors.com