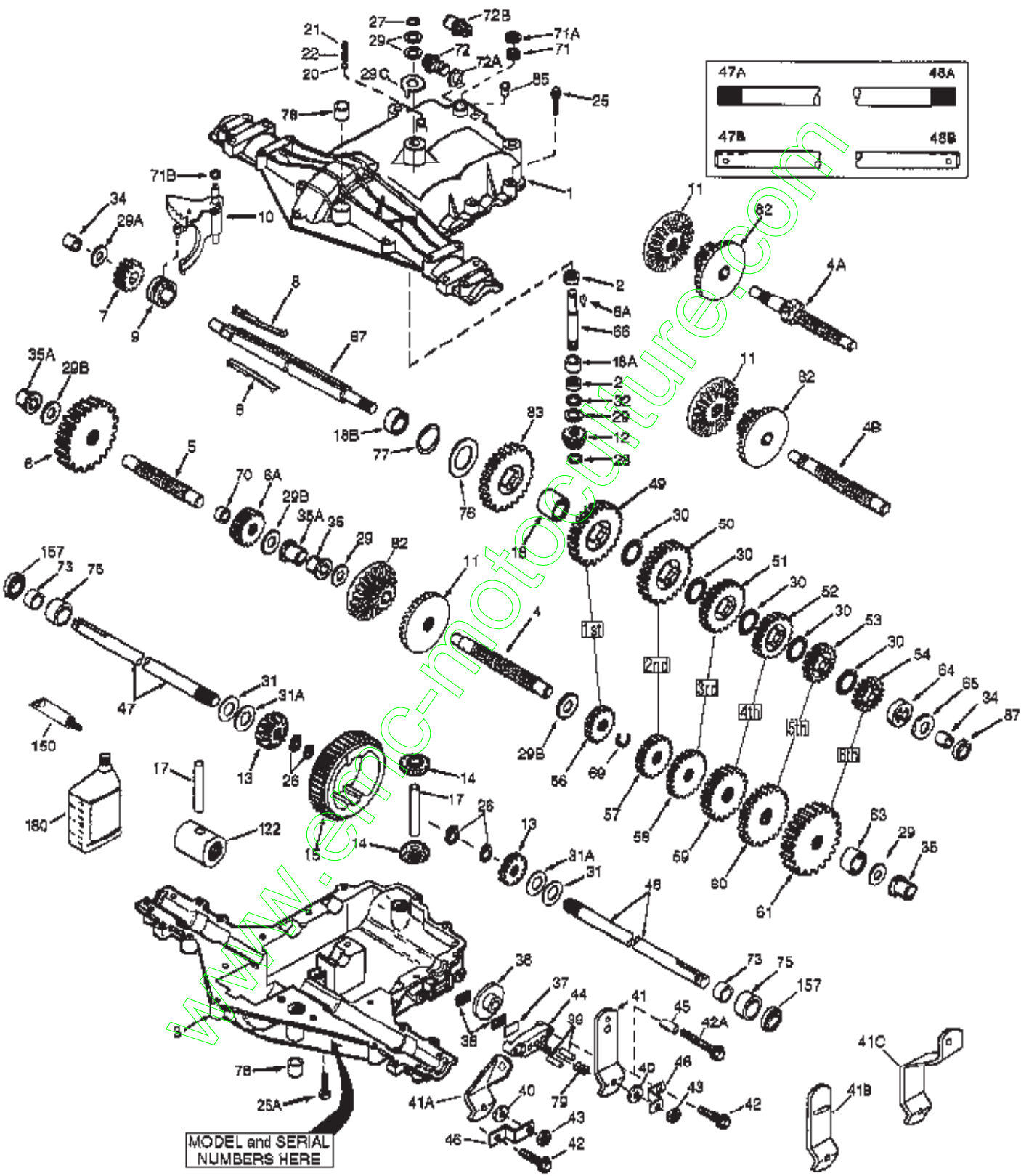


47A	48A
47B	48B



MODEL and SERIAL NUMBERS HERE

Ref #	Part Number	Qty	Description
1	772147	1	Transaxle Cover
2	780086A	2	Needle Bearing 5/8"
3	770128	1	Transaxle Case
4B	776406	1	Countershaft
5	776409	1	Output Shaft
6A	778369	1	Spur Gear (15 teeth-steel)
6	778364	1	Spur Gear (38 teeth)
7	778330	1	Spur Gear (11 teeth)
8	792180	2	Shift Key
9	784352	1	Shift Collar
10	784378	1	Shift Rod & Fork
11	778334	1	Bevel Gear (30 teeth)
12	778309	1	Input Bevel Pinion (13 teeth)
13	778368	2	Peerless Bevel Gear (13 teeth) (Incl. 14)
14	778368	2	Bevel Pinion (13 teeth) (Incl. 13)
15	778370	1	Ring Gear (43 teeth)
17	786188	1	Drive Pin
18	786102	1	Spacer 1.130 X .695
20	792077A	1	Ball 5/16" dia
21	792211	1	Cap Screw 3/8-16 x 3/8"
22	792079	1	Spring .310 OD x .625 L
25A	792177	2	Screw 1/4-20 x 1-3/8"
25	792073A	17	Screw 1/4-20 x 1-1/4"
26	792125	4	Retaining Ring (pkg of 2)
27	792035	1	Retaining Ring
28	788040	1	Retaining Ring
29A	780160	1	Thrust Washer .563 ID x .031W
29B	780051	2	Thrust Washer .762 ID x .031W
29C	780199	1	Anti-Rotation Washer .632
29	780072	5	Thrust Washer .627 ID x .031W
30	780108	5	Cup Washer 1.127 ID x .032W
31A	780195	2	Flat Washer .750 ID x .062W
31	780001	2	Flat Washer .750 ID x .056W (Use As Needed)
32	788083	1	Oil Seal 5/8"
34	780194	2	Bushing .563
35A	780197	2	Flanged Bushing .751
35	780193	2	Flanged Bushing 5/8" ID
36	790075	1	Brake Disk
37	790007	1	Brake Pad Plate
38	799021	2	Brake Pad (pkg of 2)
39	786026	2	Dowel Pin 5/16 x 3/4
40	792076A	1	Flat Washer .312 ID x .059W
41	790094	1	Brake Lever
42A	792085A	1	Screw 1/4-20 x 2-1/4"
42	792073A	1	Screw 1/4-20 x 1-1/4"
43	792075	1	Locknut 5/16-24
44	790025	1	Brake Pad Holder
45	786066	1	Spacer .2625 x 1.0
46	786086	1	Brake Lever Bracket
47	774690	1	Axle (11-15/16" long)
48	774691	1	Axle (16-1/2" long)
49	778336	1	Spur Gear (30 teeth)
50	778338	1	Spur Gear (27 teeth)
51	778340	1	Spur Gear (24 teeth)
52	778342	1	Spur Gear (22 teeth)
53	778352	1	Spur Gear (19 teeth)

Ref #	Part Number	Qty	Description
54	778350	1	Spur Gear (16 teeth)
56	778335	1	Spur Gear (10 teeth-steel)
57	778337	1	Spur Gear (13 teeth)
58	778339	1	Spur Gear (16 teeth)
59	778341	1	Spur Gear (18 teeth)
60	778351	1	Spur Gear (21 teeth)
61	778349	1	Spur Gear (24 teeth)
65	780189	1	Flat Washer .563 ID x .062W
66	776422	1	Input Shaft
67	776396	1	Shifter & Brake Shaft
69	792170	1	Retaining Ring
70	786187	1	Spacer .890
71B	788092	1	O' Ring
76	780090	1	Flat Washer 1.128 ID x .058W
77	788078A	1	Inverted Retaining Ring
79	792144	1	Spring .430 OD x .5000 L
82	778363	1	Bevel & Spur Gear (30 & 13 teeth)
83	778338	1	Spur Gear (27 teeth)
85	792154	1	Oil Fill Plug
87	788089A	1	Oil Seal 9/16"
150	788093A	1	Liquid Gasket RTV Silicone
157	788088A	2	Oil Seal 3/4"
180	730229A	1	Gear Oil 80W90
900	794715	1	Replacement 206-546 Transaxle

206-206-546 Page 3 of 3

Peerless

www.emc-motors.com