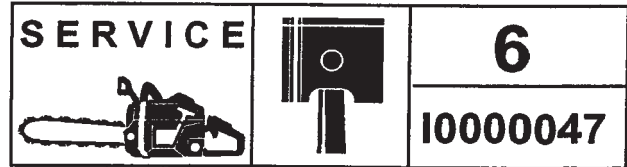


Jonsered



IPL, 2165, 2165 EPA, 2000-04, 106 24 44-64

2165, 2165 EPA

Spare parts

Ersatzteile

Pièces détachées

Reserve onderdelen

Repuestos

Reservdelar

Replaces

Ersetzt

Remplace

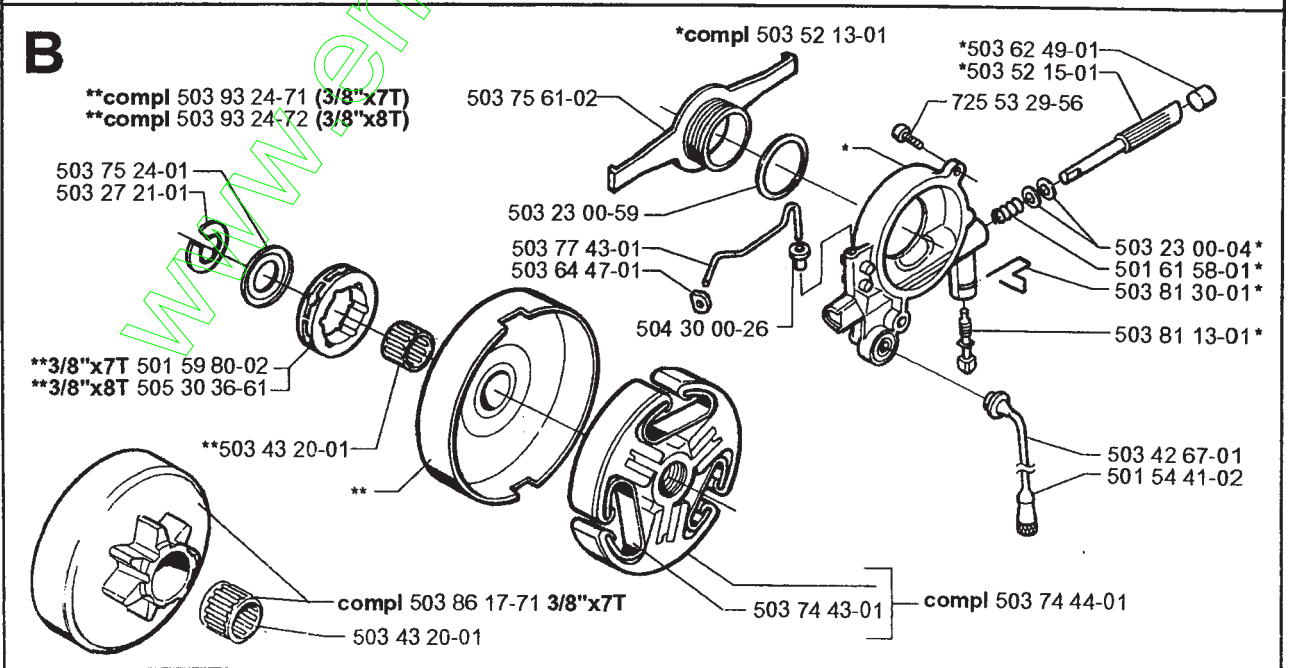
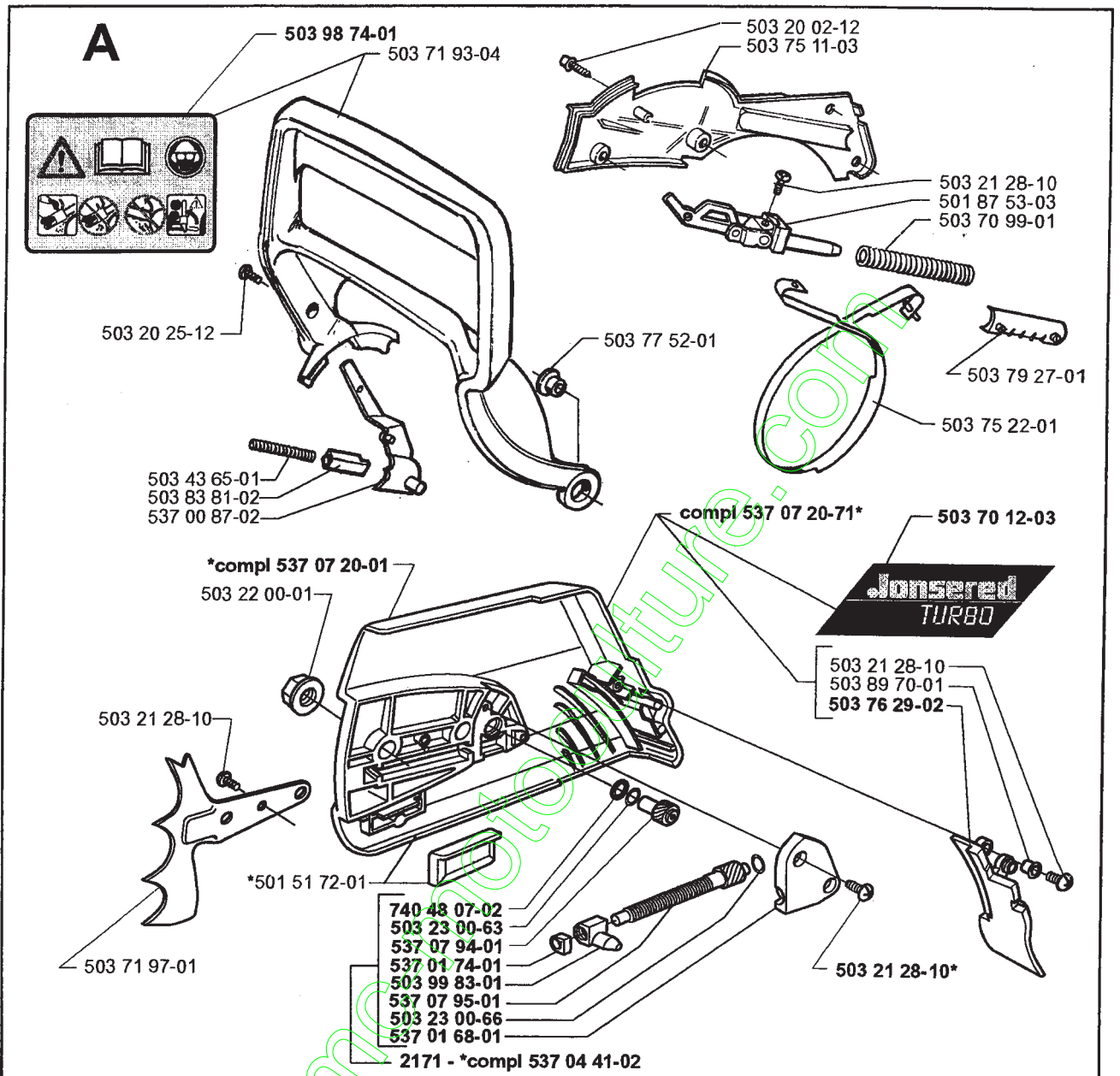
Vervangt

Reemplaza

Ersätter

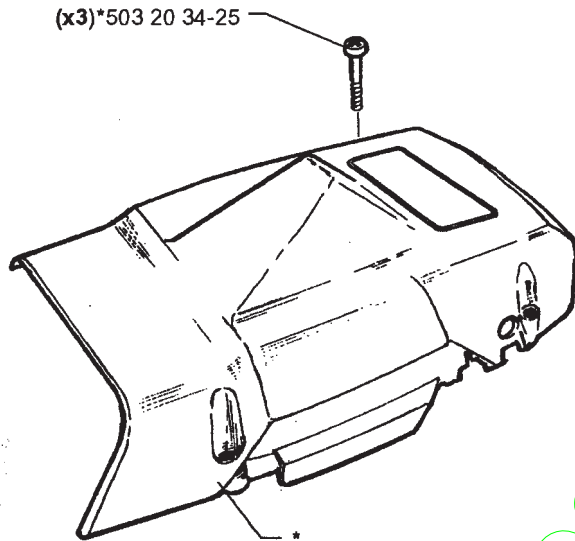
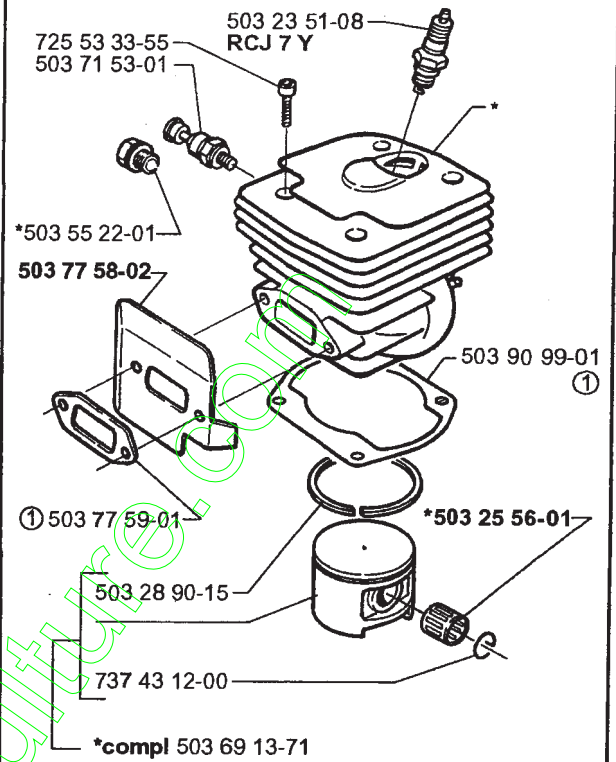
106 24 44-63

www.emc-motoculture.com

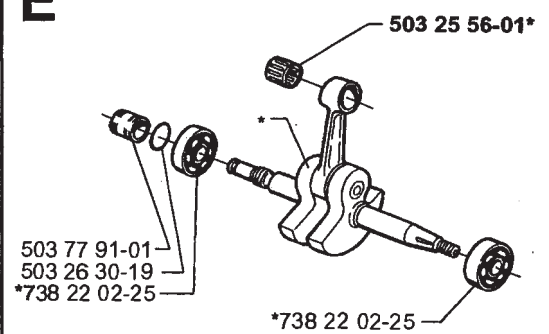
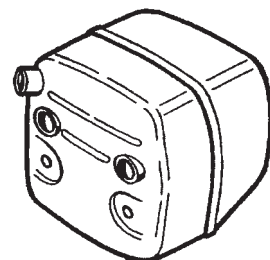
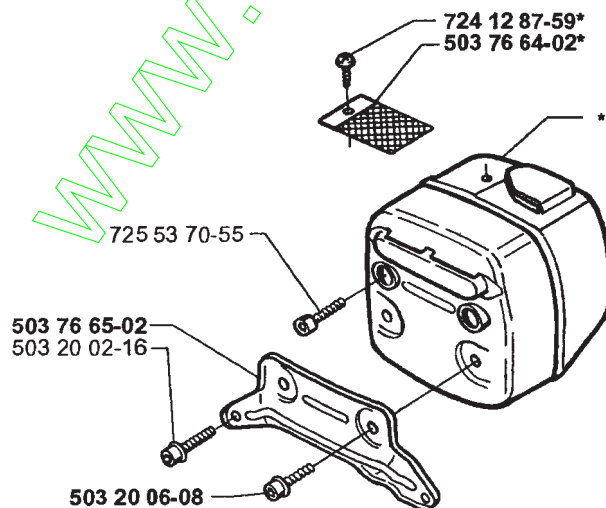


C

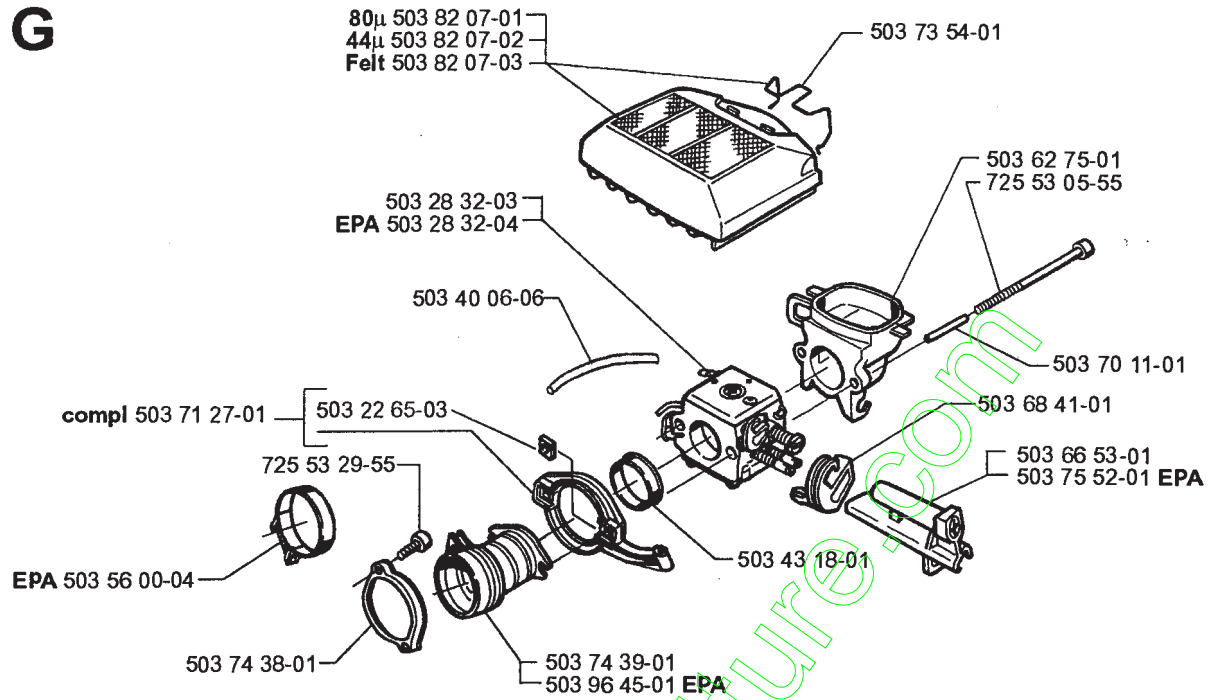
*compl 503 69 74-01

**D***compl 503 69 10-73
*compl 503 93 90-72 EPA**E**

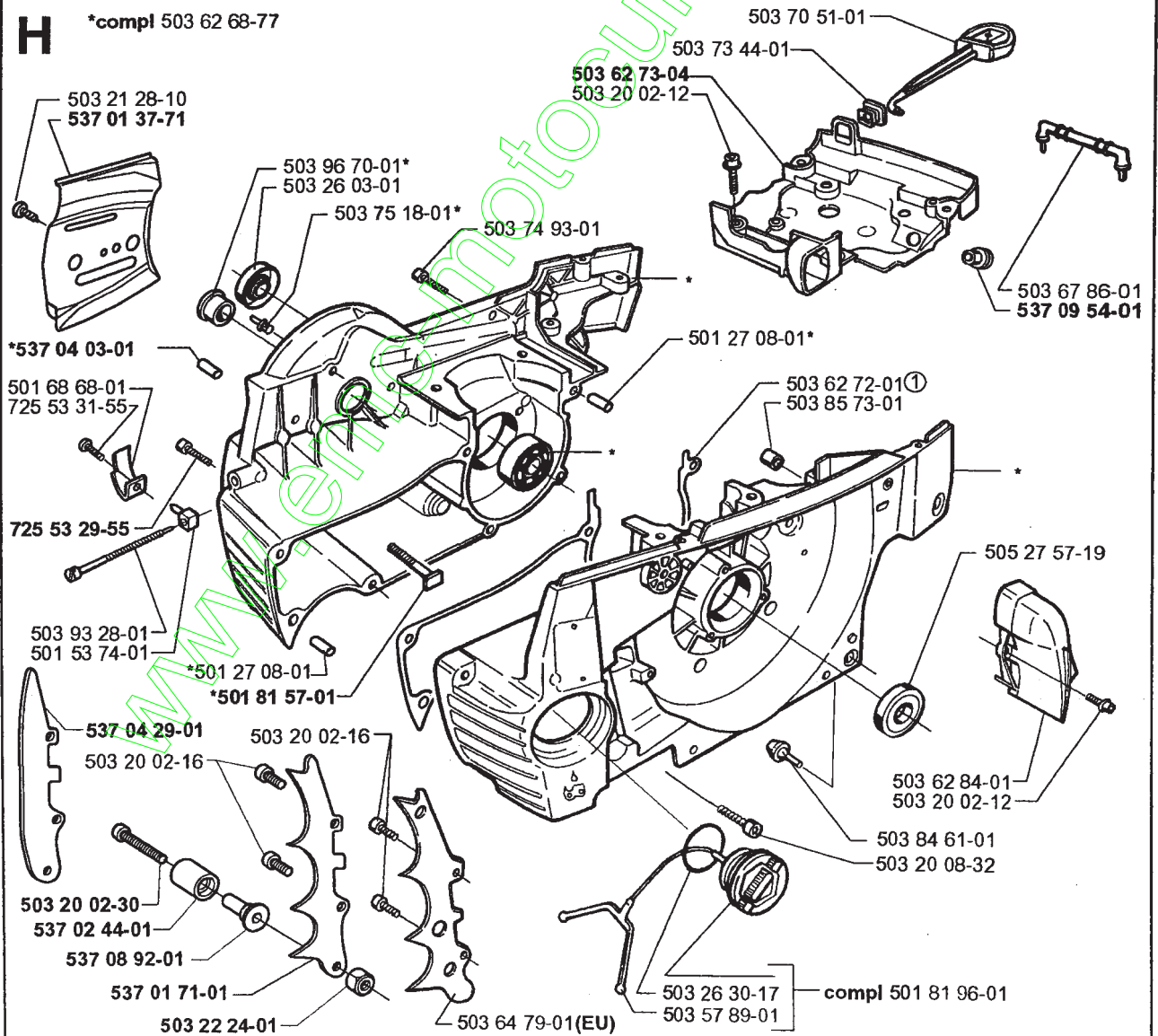
*compl 503 72 91-77

**F**compl 503 76 52-01 FG
*compl 503 76 54-02 DFcompl 503 76 53-01 Std
compl 503 76 53-02 Jungle

G

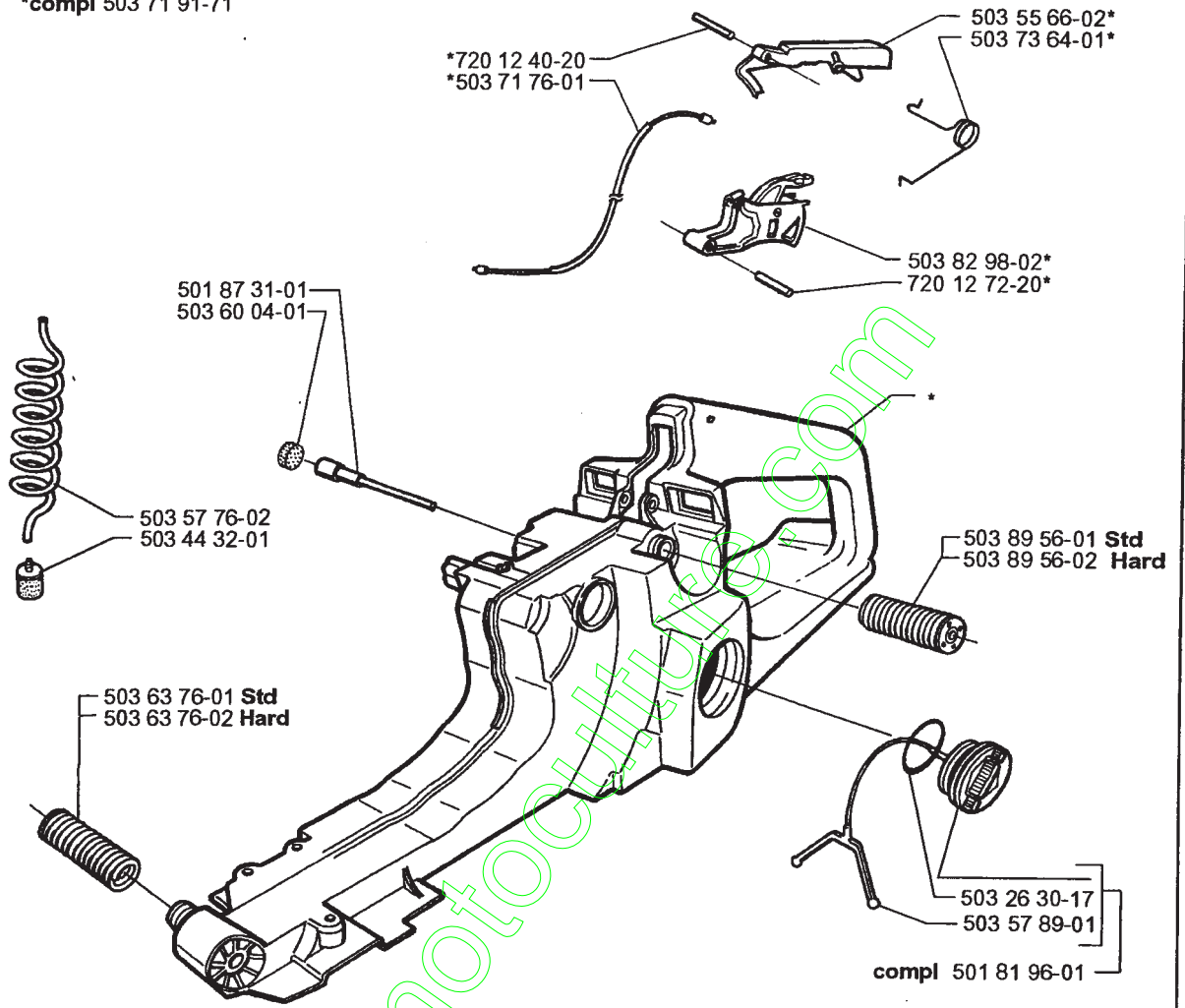


H

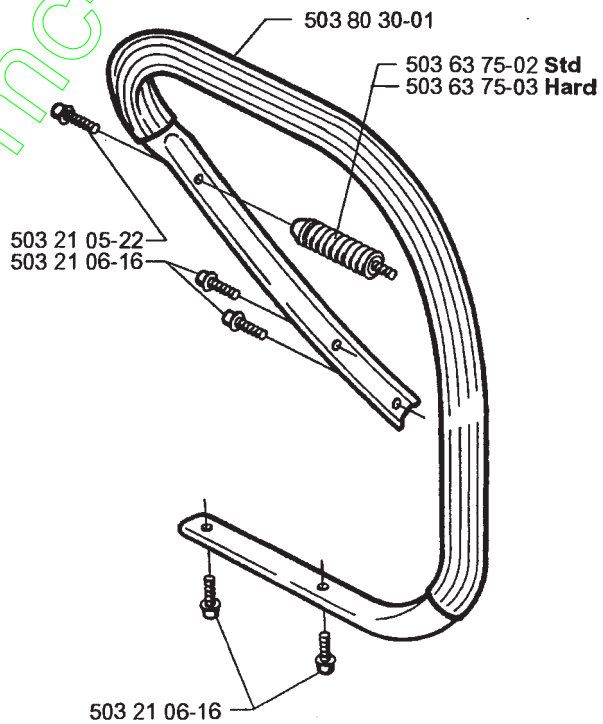


J

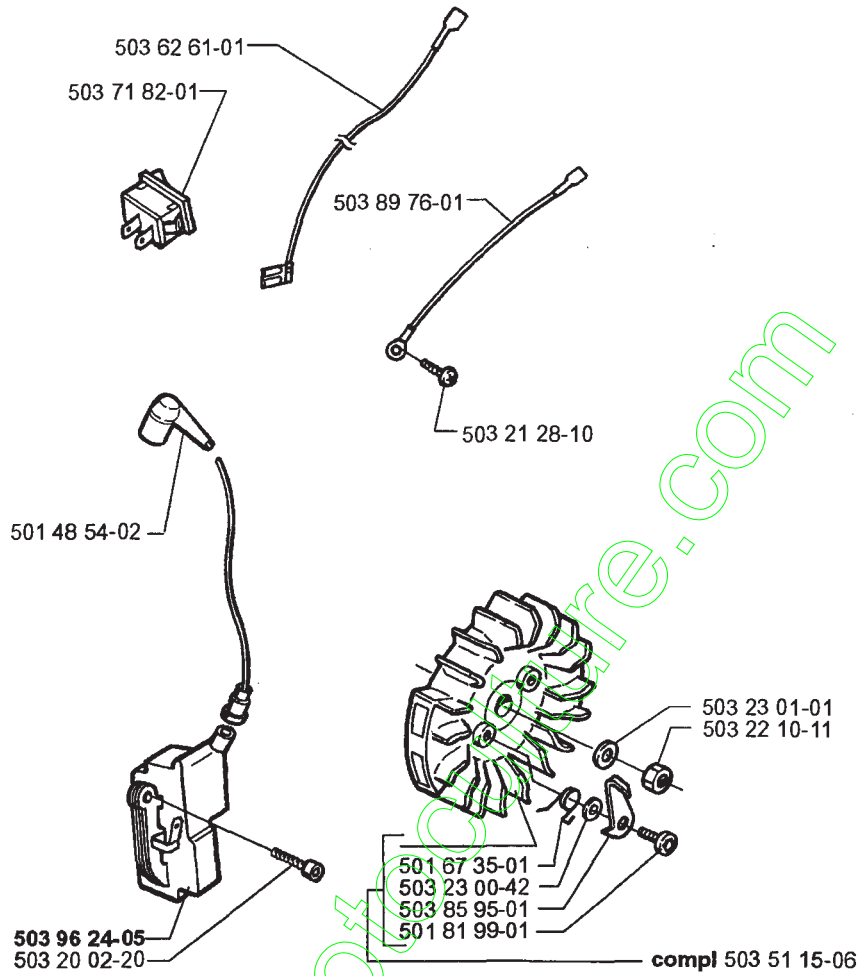
*compl 503 71 91-71



K

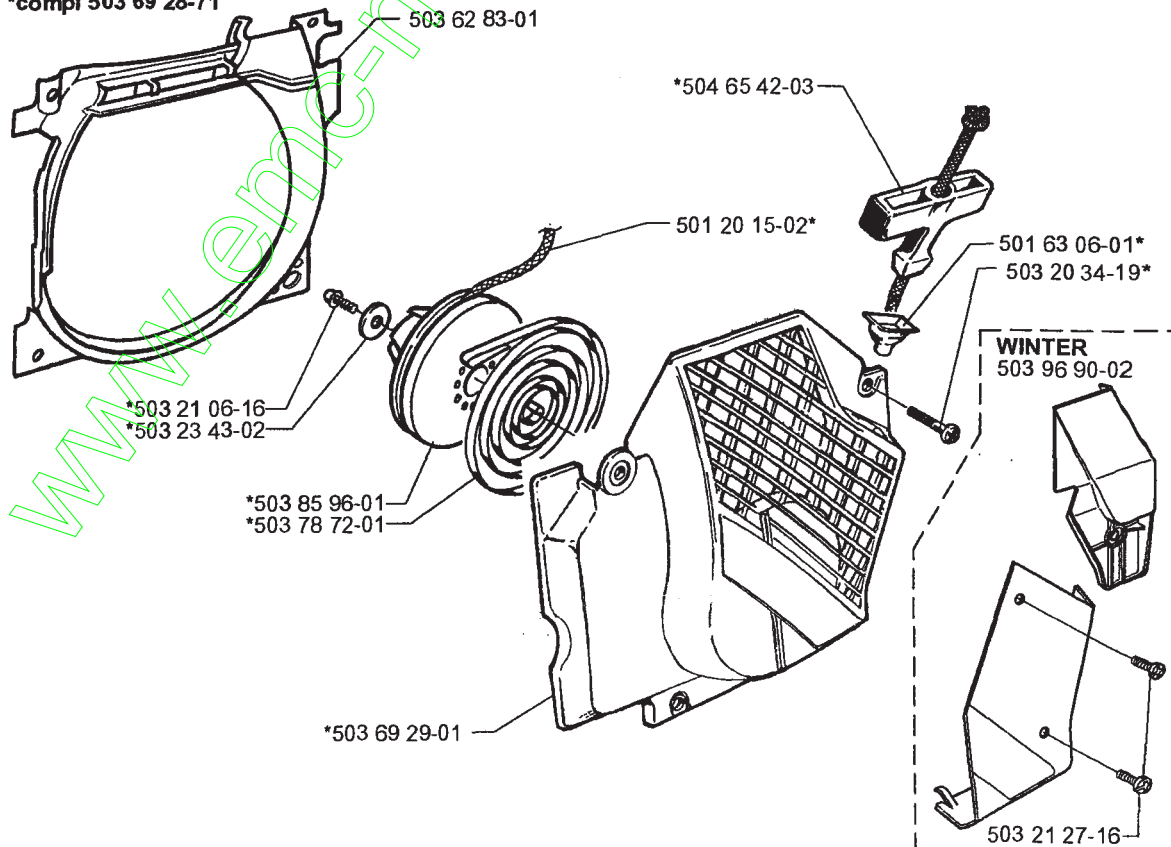


M



N

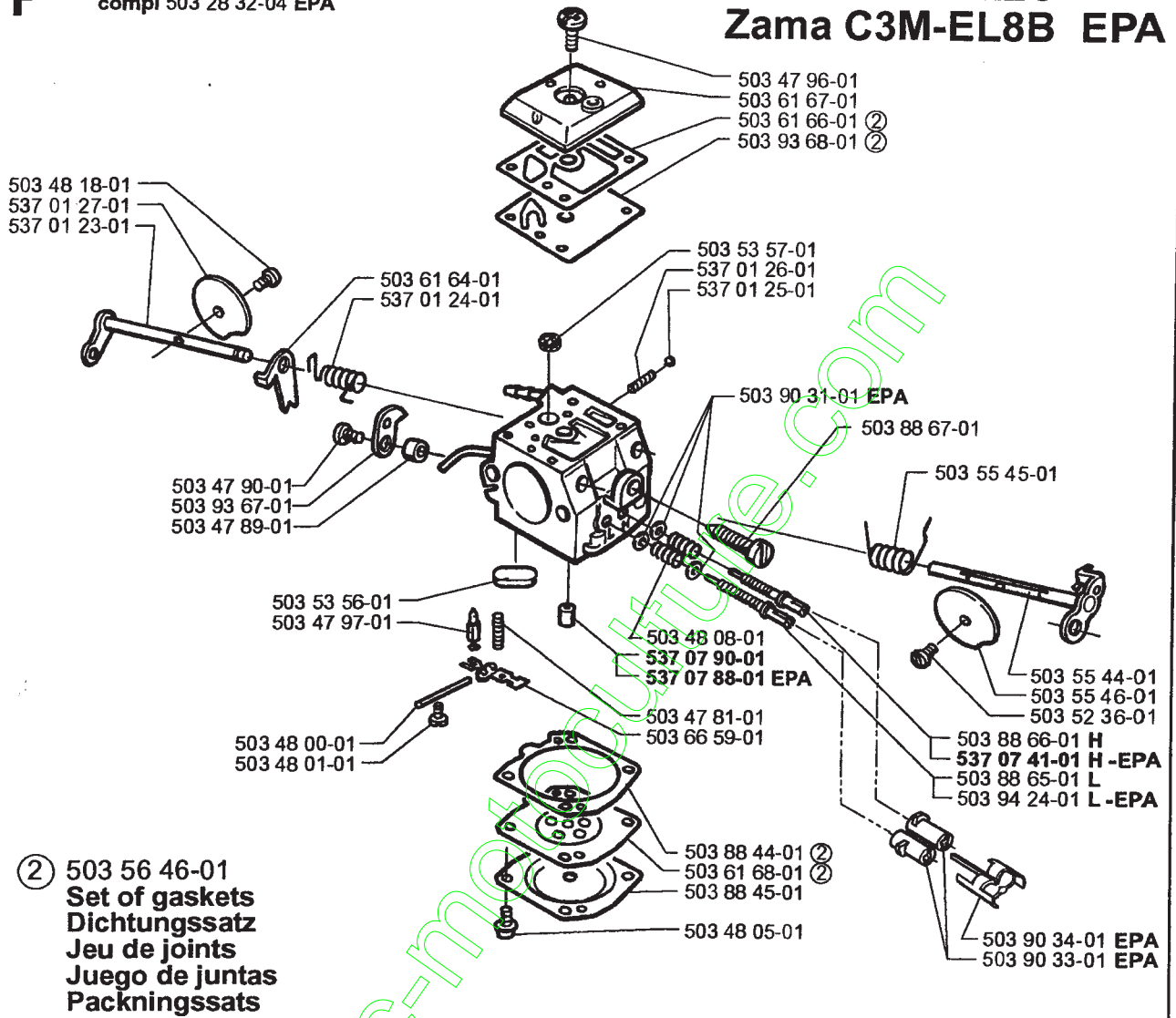
*compl 503 69 28-71



P

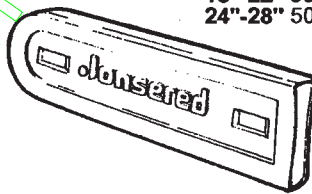
compl 503 28 32-03
 compl 503 28 32-04 EPA

Zama C3M-EL2C Zama C3M-EL8B EPA

**Q**

Accessories
Zubehöre
Accessories
Tillbehör

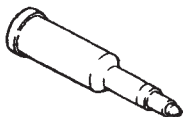
13"-16" 501 83 44-02
 18"-22" 501 83 44-05
 24"-28" 501 83 45-02



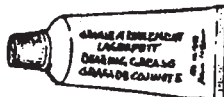
*compl 503 55 85-01

*503 55 86-01 NV4

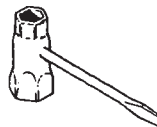
*503 55 86-02 NV5



*501 91 14-01



*503 62 12-01



*501 69 17-01



503 70 57-08

PART NUMBER	SQUARE NOTE	PART NUMBER	SQUARE NOTE	PART NUMBER	SQUARE NOTE	PART NUMBER	SQUARE NOTE
501 20 15-02	N	503 51 15-06	K	503 75 18-01	H	537 01 71-01	H N
501 27 08-01	H	503 52 13-01	B	503 75 22-01	A	537 01 74-01	A N
501 48 54-02	K	503 52 15-01	B	503 75 24-01	B	537 02 44-01	H N
501 51 72-01	A	503 52 36-01	P	503 75 52-01	G	537 04 03-01	H N
501 53 74-01	H	503 53 56-01	P	503 75 61-02	B	537 04 29-01	H N
501 54 41-02	B	503 53 57-01	P	503 76 29-02	A	537 04 41-02	A N
501 59 80-02	B	503 55 22-01	D	503 76 52-01	F	537 07 20-01	A N
501 61 58-01	B	503 55 44-01	P	503 76 53-01	F	537 07 20-71	A N
501 63 06-01	N	503 55 45-01	P	503 76 53-02	F	537 07 41-01	P N
501 67 35-01	K	503 55 46-01	P	503 76 54-02	F	537 07 88-01	P N
							EPA
							EPA
501 68 68-01	H	503 55 66-02	J	503 76 64-02	F	537 07 90-01	P N
501 69 17-01	Q	503 55 85-01	Q	503 76 65-02	F	537 07 94-01	A N
501 81 57-01	H	503 55 86-01	Q	503 77 43-01	B	537 07 95-01	A N
501 81 96-01	HJ	503 55 86-02	Q	503 77 52-01	A	537 08 92-01	H N
501 81 99-01	K	503 56 00-04	G	503 77 58-02	D	537 09 54-01	H N
501 83 44-02	Q	503 56 46-01	P	503 77 59-01	D	720 12 40-20	J
501 83 44-05	Q	503 57 76-02	J	503 77 91-01	E	720 12 72-20	J
501 83 45-02	Q	503 57 89-01	HJ	503 78 72-01	N	724 12 87-59	F N
501 87 31-01	J	503 60 04-01	J	503 79 27-01	A	725 53 05-55	G
501 87 53-03	A	503 61 64-01	P	503 80 30-01	K	725 53 29-55	GH
501 91 14-01	Q	503 61 66-01	P	503 81 13-01	B	725 53 29-56	B
503 20 02-12	AH	503 61 67-01	P	503 81 30-01	B	725 53 31-55	H
503 20 02-16	FH	503 61 68-01	P	503 82 07-01	G	725 53 33-55	D
503 20 02-20	K	503 62 12-01	Q	503 82 07-02	G	725 53 70-55	F
503 20 02-30	H	503 62 49-01	B	503 82 07-03	G	737 43 12-00	D
503 20 06-08	F	503 62 61-01	K	503 82 98-02	J	738 22 02-25	E
503 20 08-32	H	503 62 68-77	H	503 83 81-02	A	740 48 07-02	A
503 20 25-12	A	503 62 72-01	H	503 84 61-01	H		N
503 20 34-19	N	503 62 73-04	H	503 85 73-01	H		
503 20 34-25	C	503 62 75-01	G	503 85 95-01	K		
503 21 05-22	K	503 62 83-01	N	503 85 96-01	N		
503 21 06-16	KN	503 62 84-01	H	503 86 17-71	B		
503 21 27-16	N	503 63 75-02	K	503 88 44-01	P		
503 21 28-10	AHM	503 63 75-03	K	503 88 45-01	P		
503 22 00-01	A	503 63 76-01	J	503 88 65-01	P		
503 22 10-11	K	503 63 76-02	J	503 88 66-01	P		
503 22 24-01	H	503 64 47-01	B	503 88 67-01	P		
503 22 65-03	G	503 64 72-01	H	503 89 56-01	J		
503 23 00-04	B	503 64 79-01	H	503 89 56-02	J		
503 23 00-42	K	503 66 53-01	G	503 89 70-01	A		
503 23 00-59	B	503 66 59-01	P	503 89 76-01	K		
503 23 00-63	A	503 67 86-01	H	503 90 31-01	P		
503 23 00-66	A	503 68 41-01	G	503 90 33-01	P		
503 23 01-01	K	503 69 10-73	D	503 90 34-01	P		
503 23 43-02	N	503 69 13-71	D	503 90 99-01	D		
503 23 51-08	D	503 69 28-71	N	503 93 24-71	B		
503 25 56-01	DE	503 69 29-01	N	503 93 24-72	B		
503 26 03-01	H	503 69 74-01	C	503 93 28-01	H		
503 26 30-17	HJ	503 70 11-01	G	503 93 67-01	P		
503 26 30-19	E	503 70 12-03	A	503 93 68-01	P		
503 27 21-01	B	503 70 51-01	H	503 93 90-72	D		
503 28 32-03	GP	503 70 57-08	Q	503 94 24-01	P		
503 28 32-04	GP	503 70 99-01	A	503 96 24-05	K		
503 28 90-15	D	503 71 27-01	G	503 96 45-01	G		
503 40 06-06	G	503 71 53-01	D	503 96 70-01	H		
503 42 67-01	B	503 71 76-01	J	503 96 90-02	N		
503 43 18-01	G	503 71 82-01	K	503 98 74-01	A		
503 43 20-01	B	503 71 91-71	J	503 99 83-01	A		
503 43 65-01	A	503 71 93-04	A	504 30 00-26	B		
503 44 32-01	J	503 71 97-01	A	504 65 42-03	N		
503 47 81-01	P	503 72 91-77	E	505 27 57-19	H		
503 47 89-01	P	503 73 44-01	H	505 30 36-61	B		
503 47 90-01	P	503 73 54-01	G	537 00 87-02	A		
503 47 96-01	P	503 73 64-01	J	537 01 23-01	P		
503 47 97-01	P	503 74 38-01	G	537 01 24-01	P		
503 48 00-01	P	503 74 39-01	G	537 01 25-01	P		
503 48 01-01	P	503 74 43-01	B	537 01 26-01	P		
503 48 05-01	P	503 74 44-01	B	537 01 27-01	P		
503 48 08-01	P	503 74 93-01	H	537 01 37-71	H		
503 48 18-01	P	503 75 11-03	A	537 01 68-01	A		

1 = 503 64 72-01
2 = 503 56 46-01

Set of gaskets
Dichtungssatz
Jeu de joints
Juego de juntas
Packningssats

N = New part
Neues teil
Nouvelle piece
Nueva pieza
Ny detalj

EPA=Environmental Protection Agency