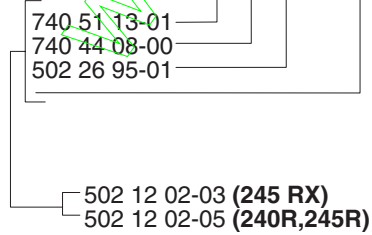
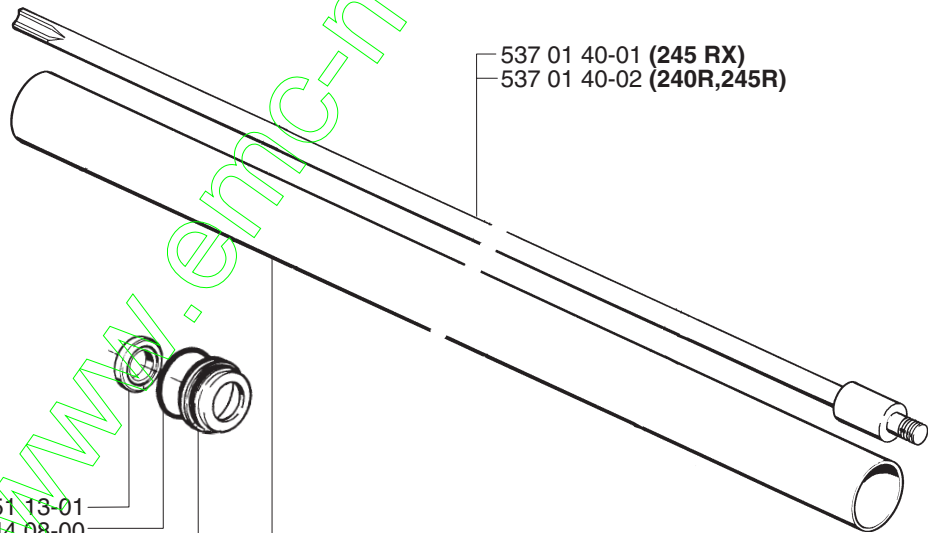
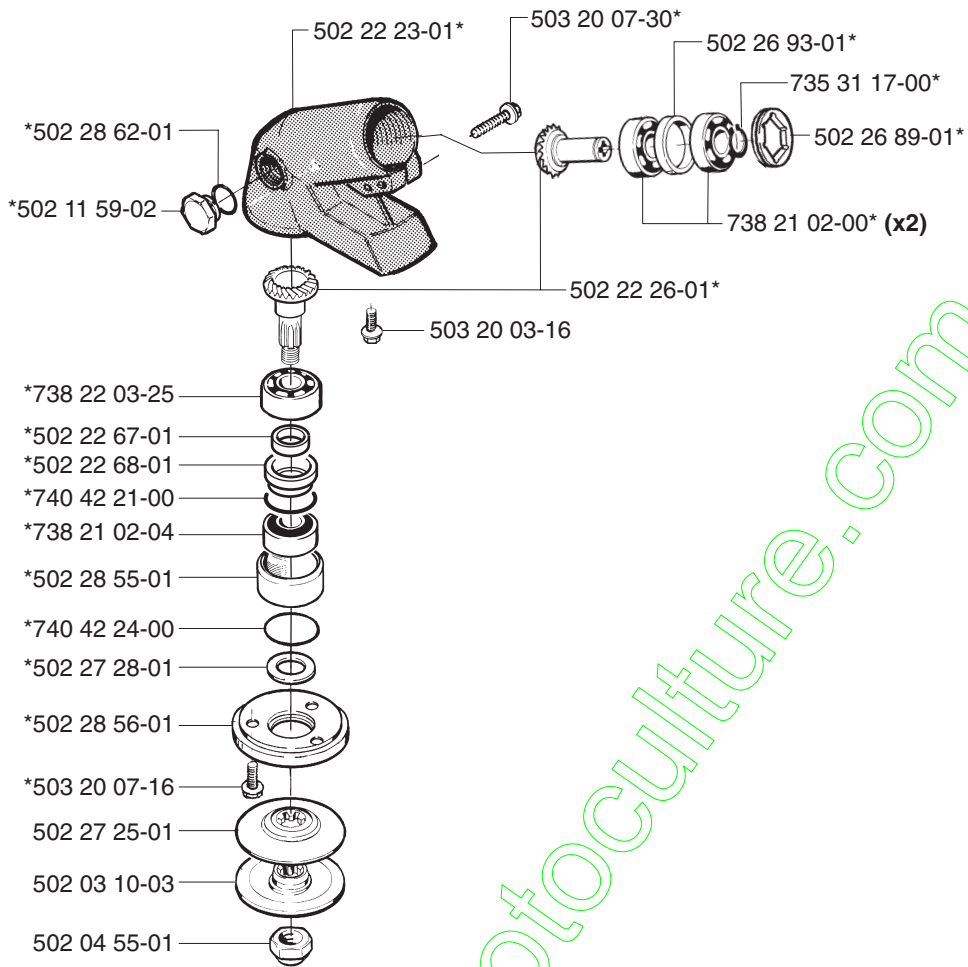


240, 245 240 EPA, 245 EPA

Spare parts
Ersatzteile
Pièces détachées
Reserve onderdelen
Repuestos
Reservdelar

www.emc-motoculture.com

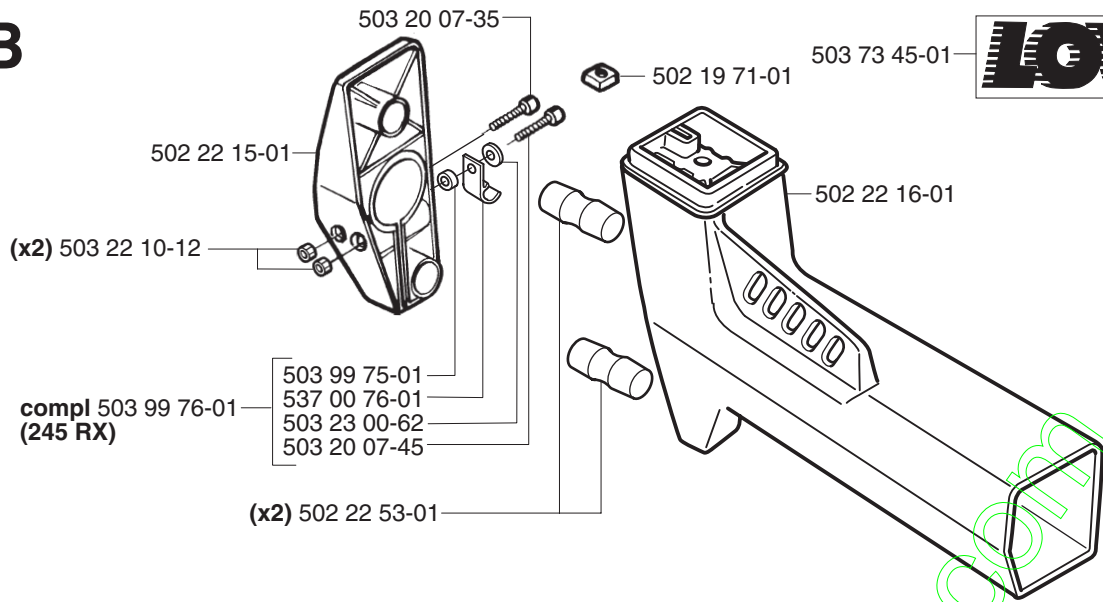
A *compl 502 28 57-02



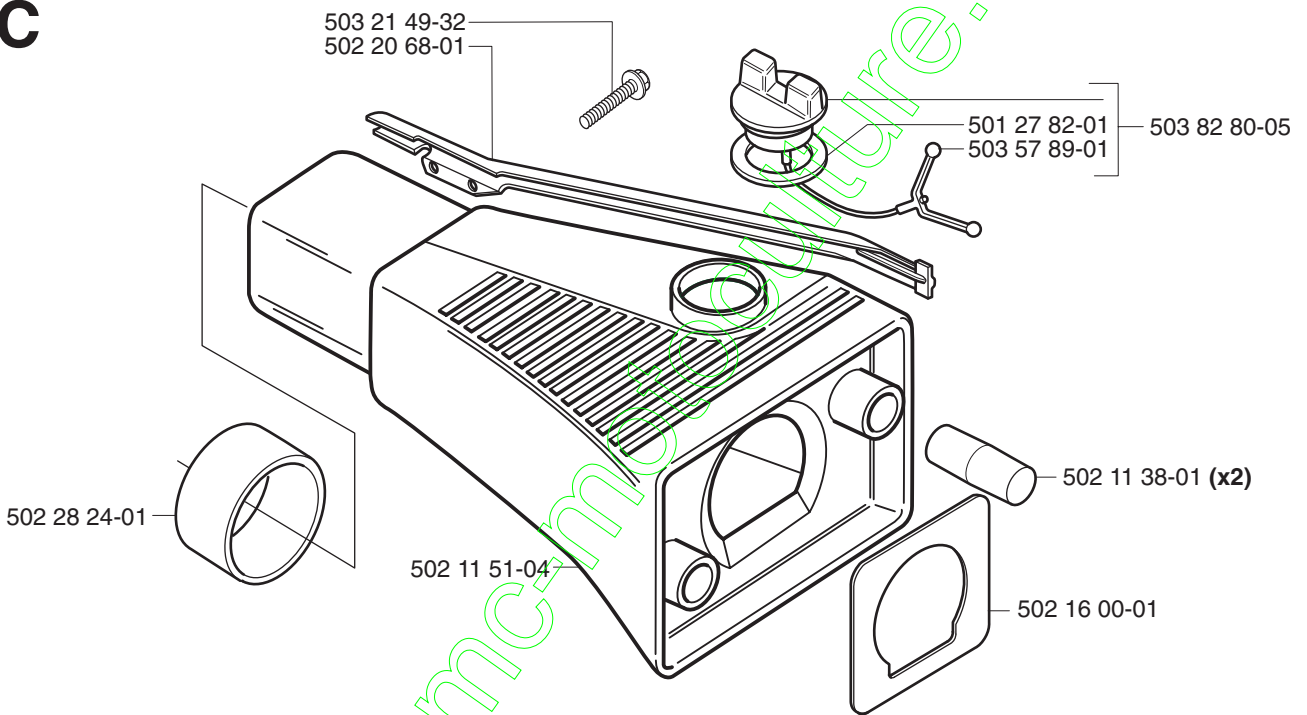
537 02 76-02



B

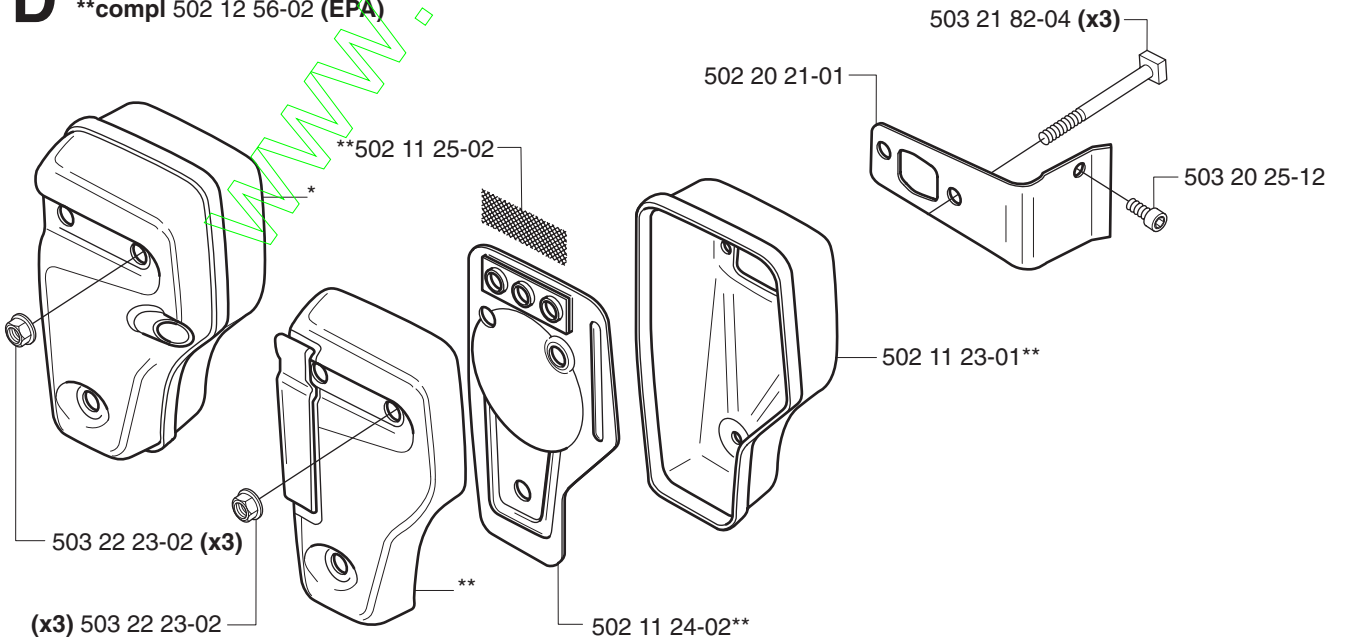


C



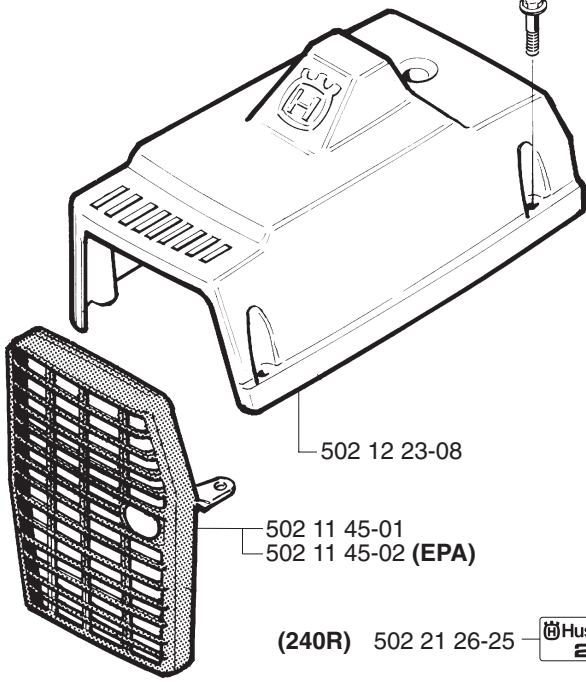



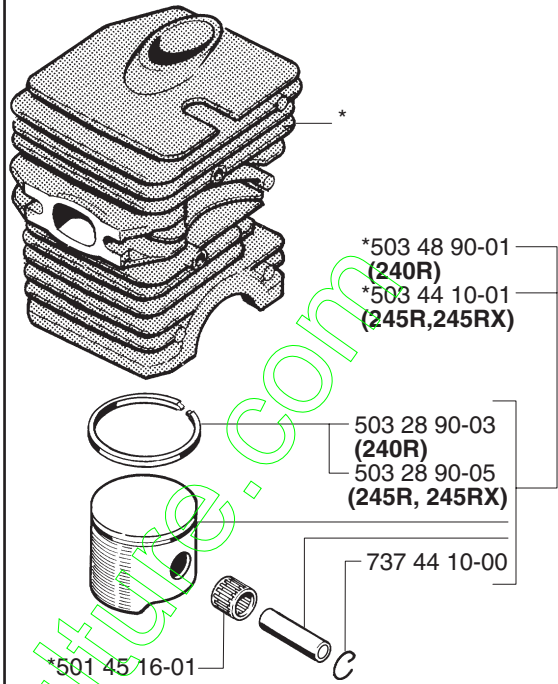
D

*compl 502 11 22-03
 **compl 502 12 56-02 (EPA)



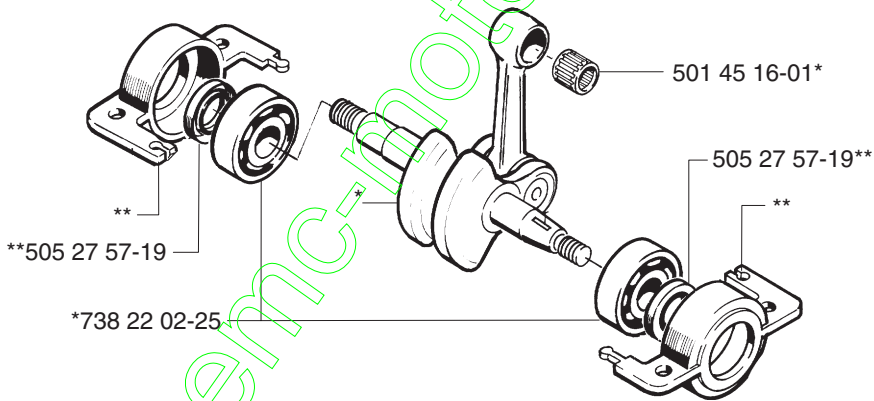
E

503 20 09-20 (x4)

(240R) 502 21 26-25  Husqvarna 240R(245R) 502 21 26-26  Husqvarna 245R(245RX) 502 21 26-27  Husqvarna 245RX**F***compl 506 01 06-07 (240R)
*compl 503 44 08-02 (245R, 245RX)*503 48 90-01
(240R)
*503 44 10-01
(245R, 245RX)503 28 90-03
(240R)
503 28 90-05
(245R, 245RX)

737 44 10-00

*501 45 16-01

G*compl 503 57 38-06
**compl 502 23 02-01

501 45 16-01*

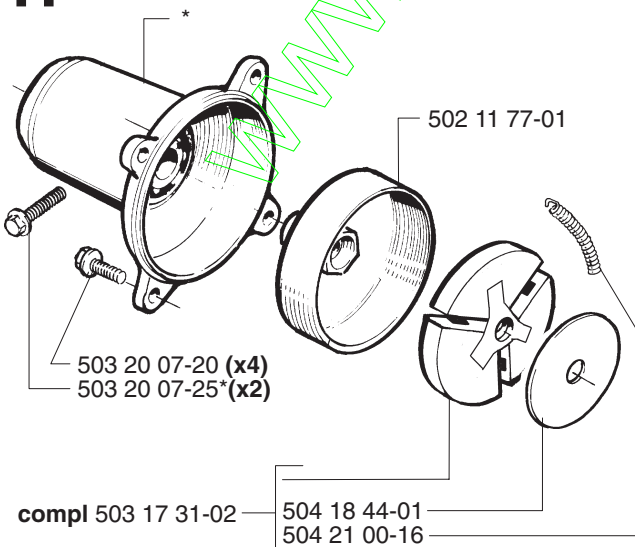
505 27 57-19**

**505 27 57-19

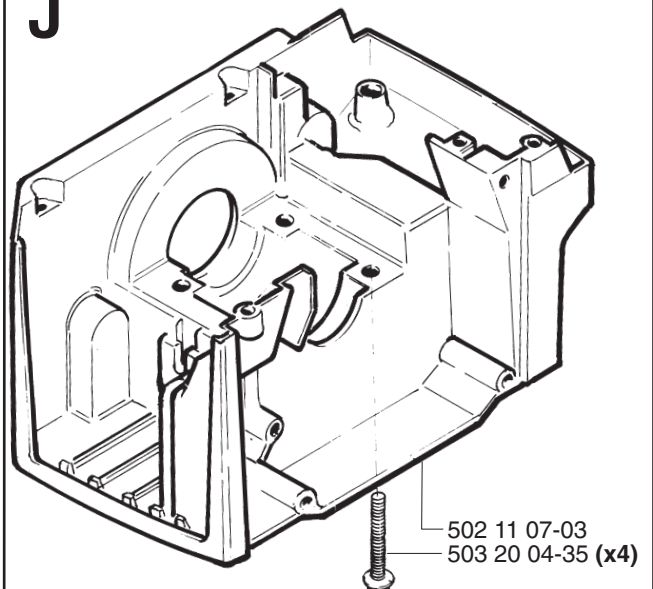
*738 22 02-25

H

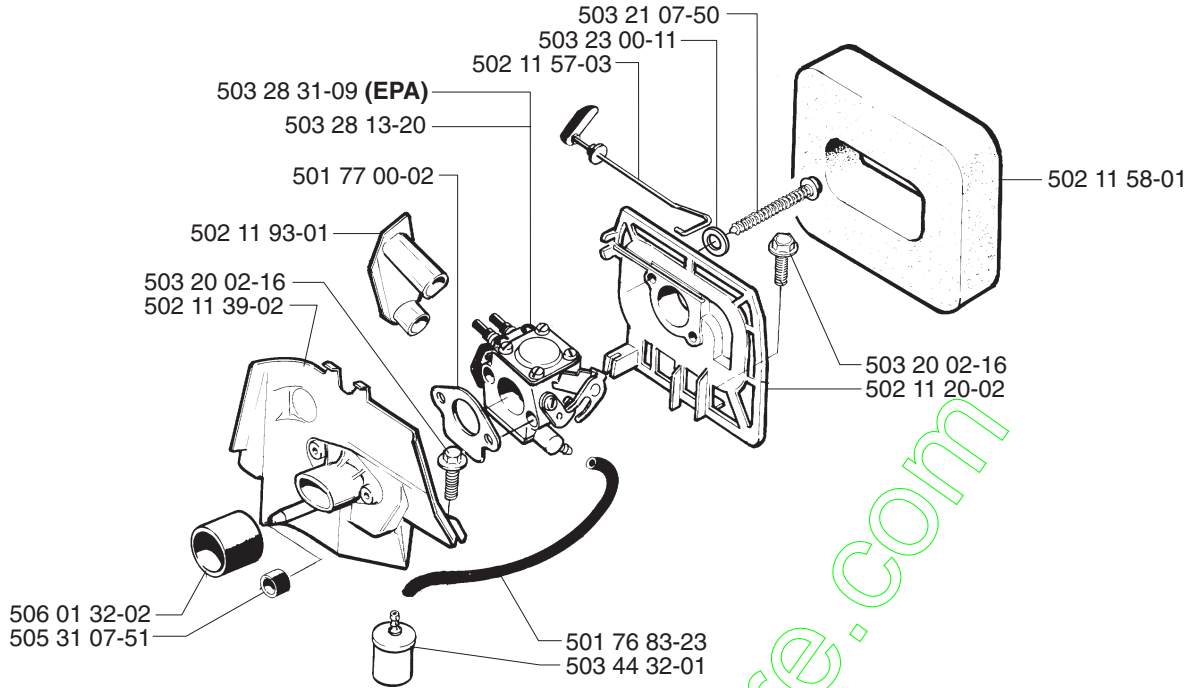
*compl 502 11 52-01



502 11 77-01

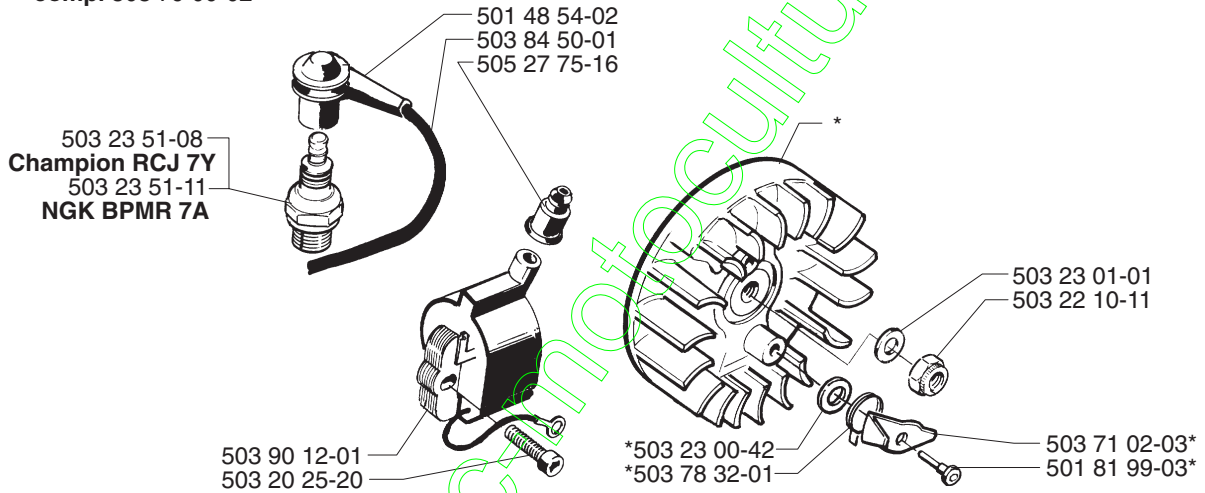
503 20 07-20 (x4)
503 20 07-25* (x2)compl 503 17 31-02 504 18 44-01
504 21 00-16**J**502 11 07-03
503 20 04-35 (x4)

K



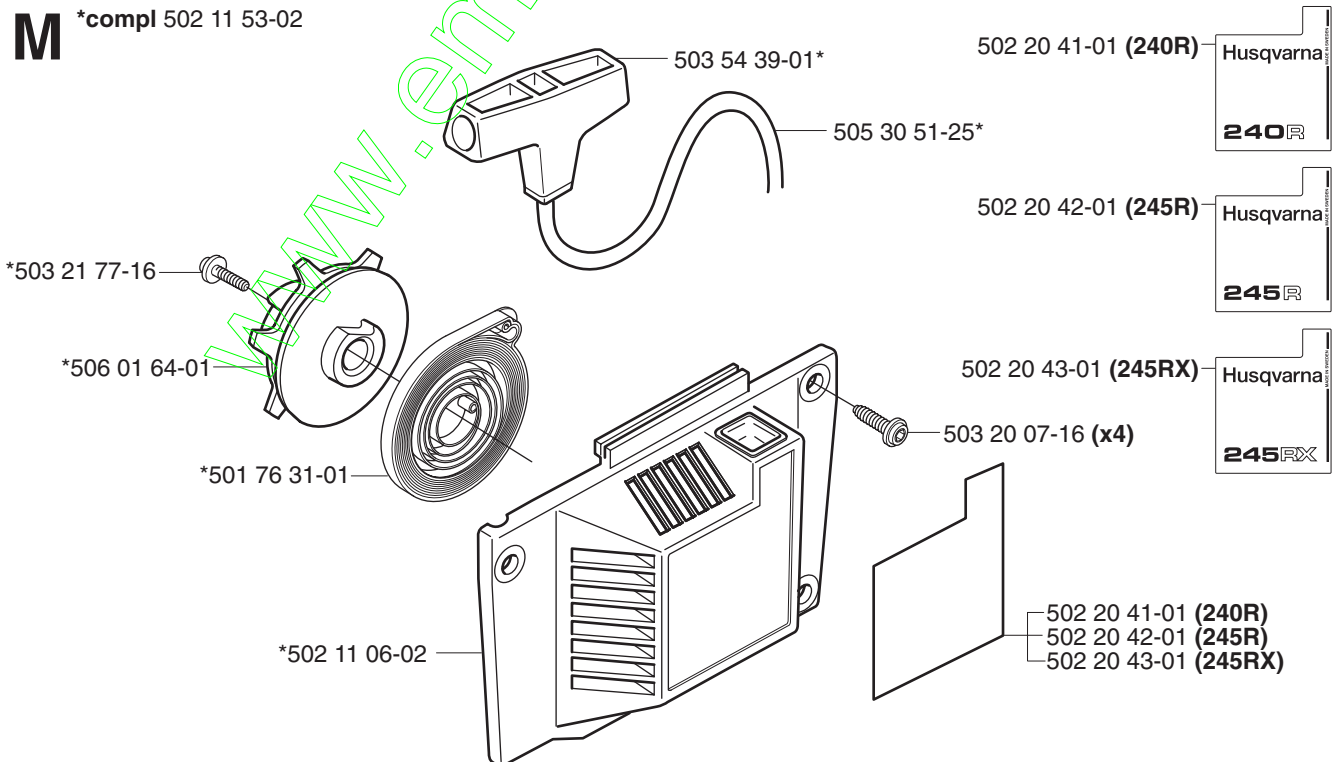
L

*compl 503 79 00-02



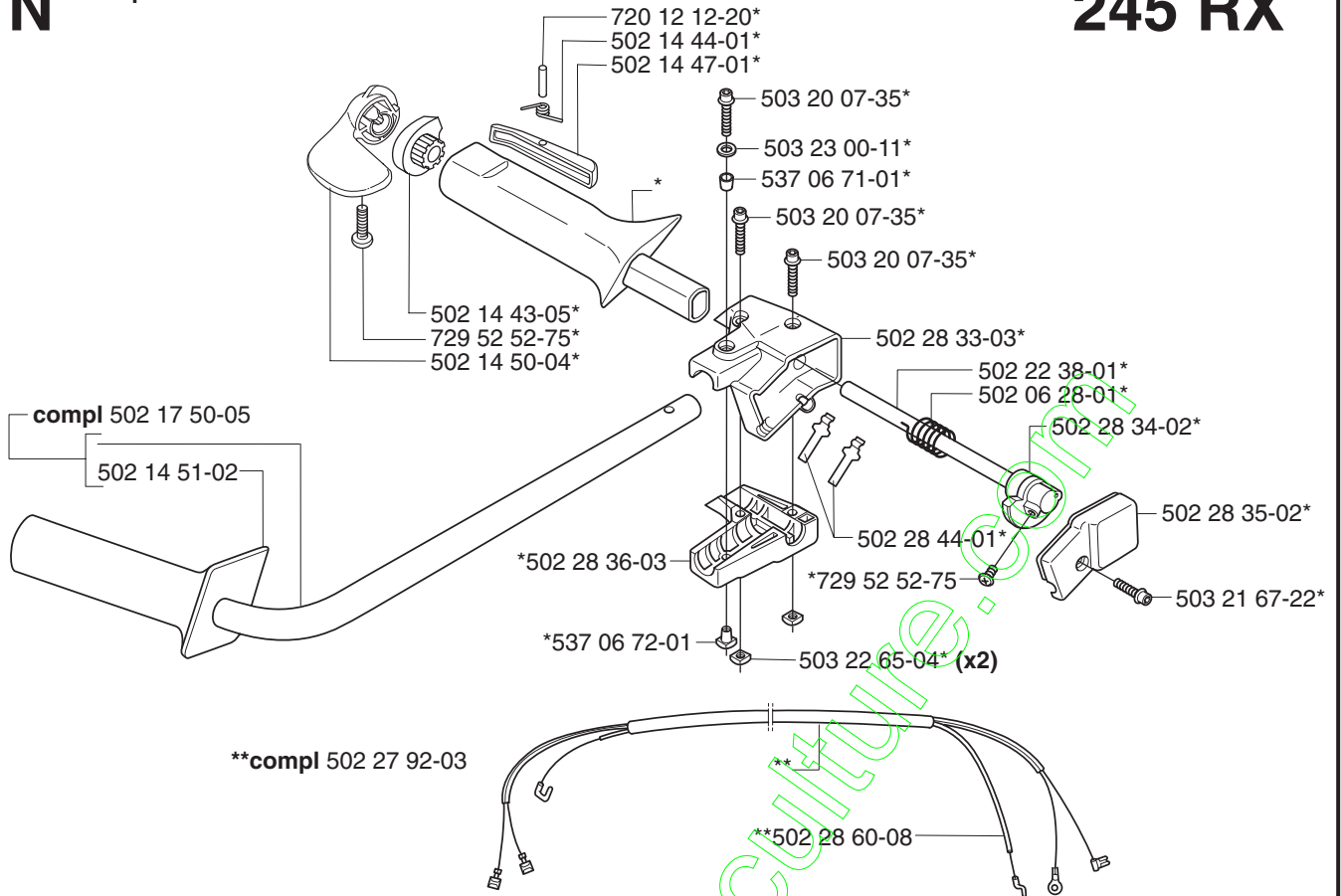
M

*compl 502 11 53-02



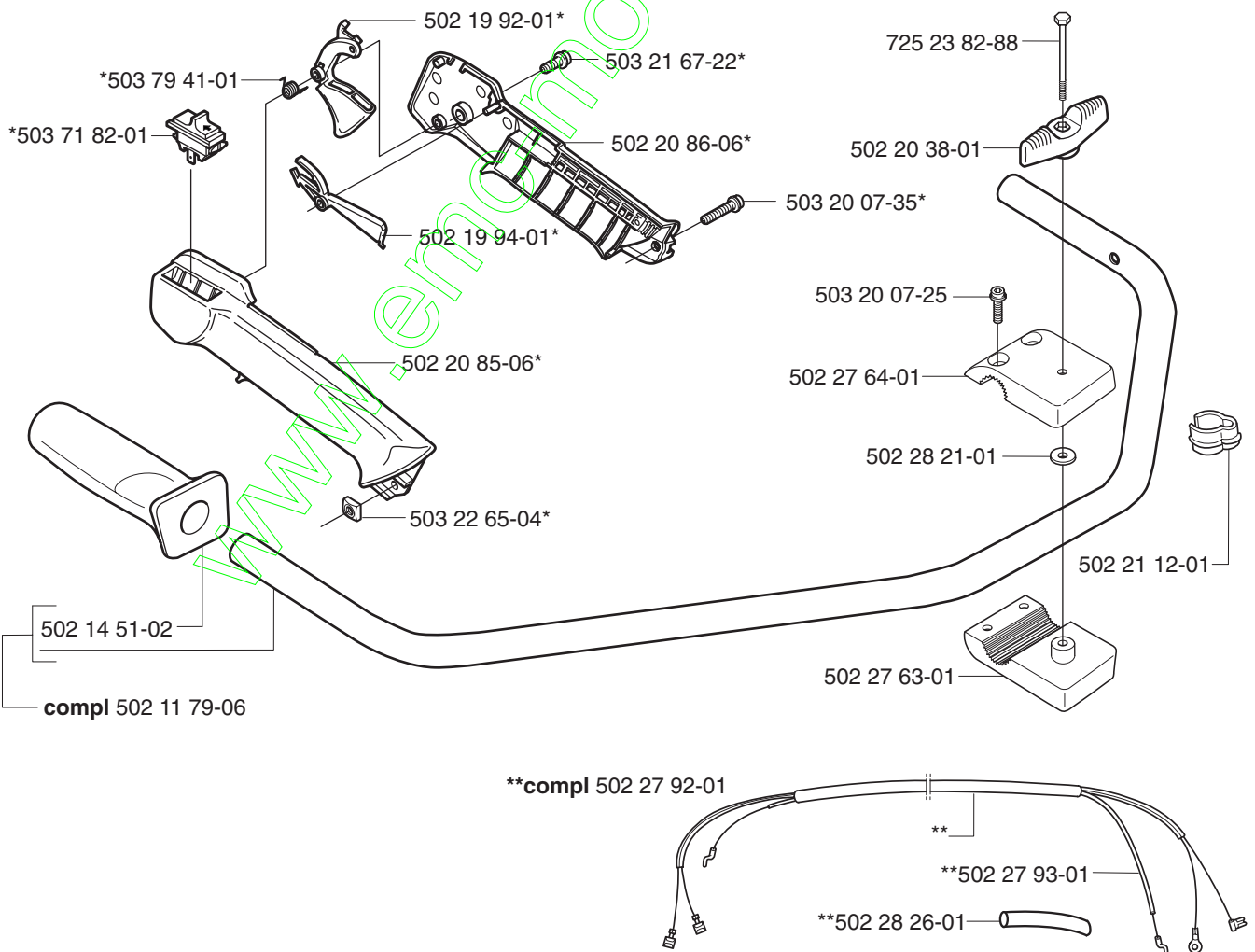
N *compl 502 28 37-05

245 RX



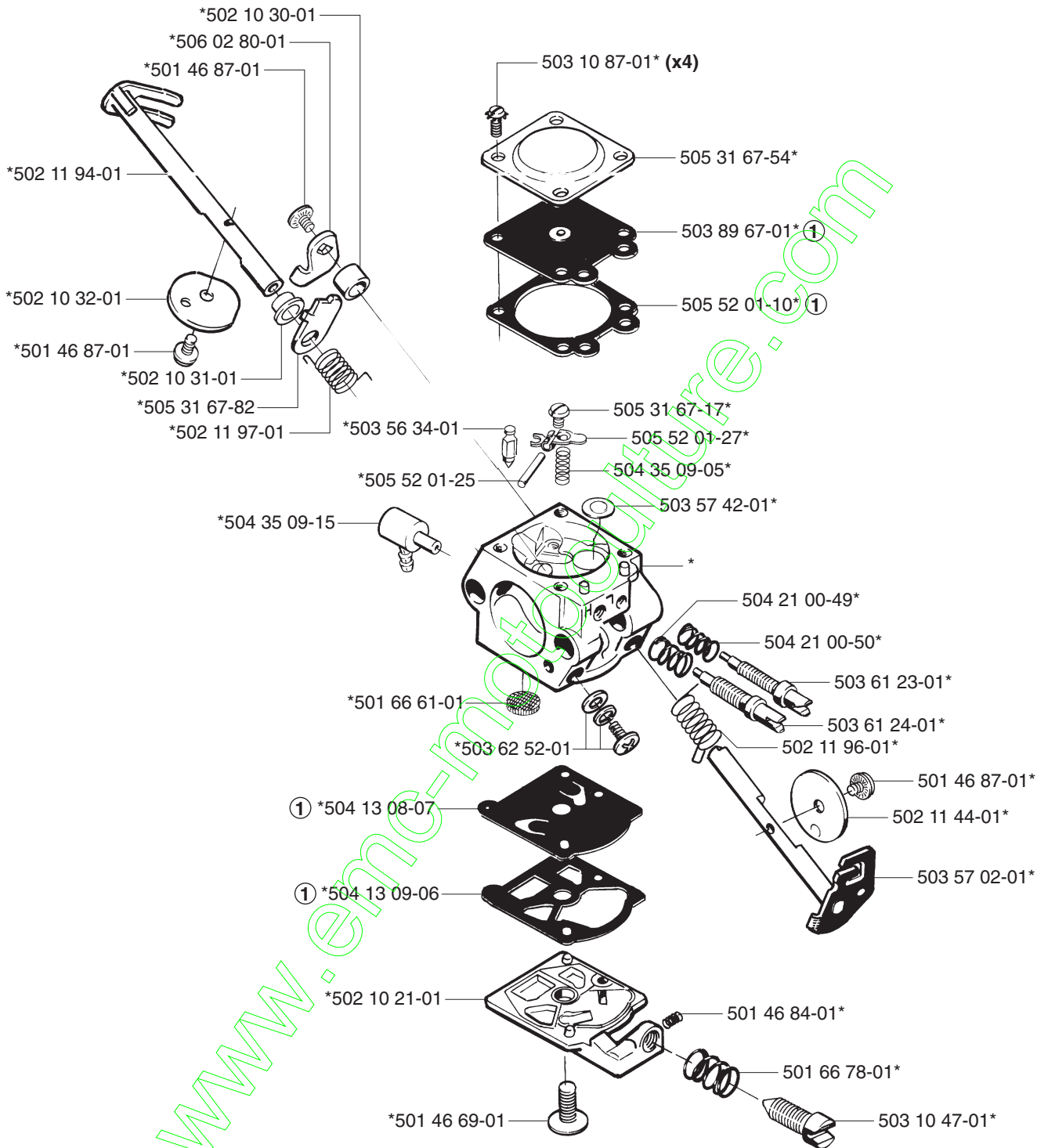
P *compl 502 28 06-11

240R, 245R

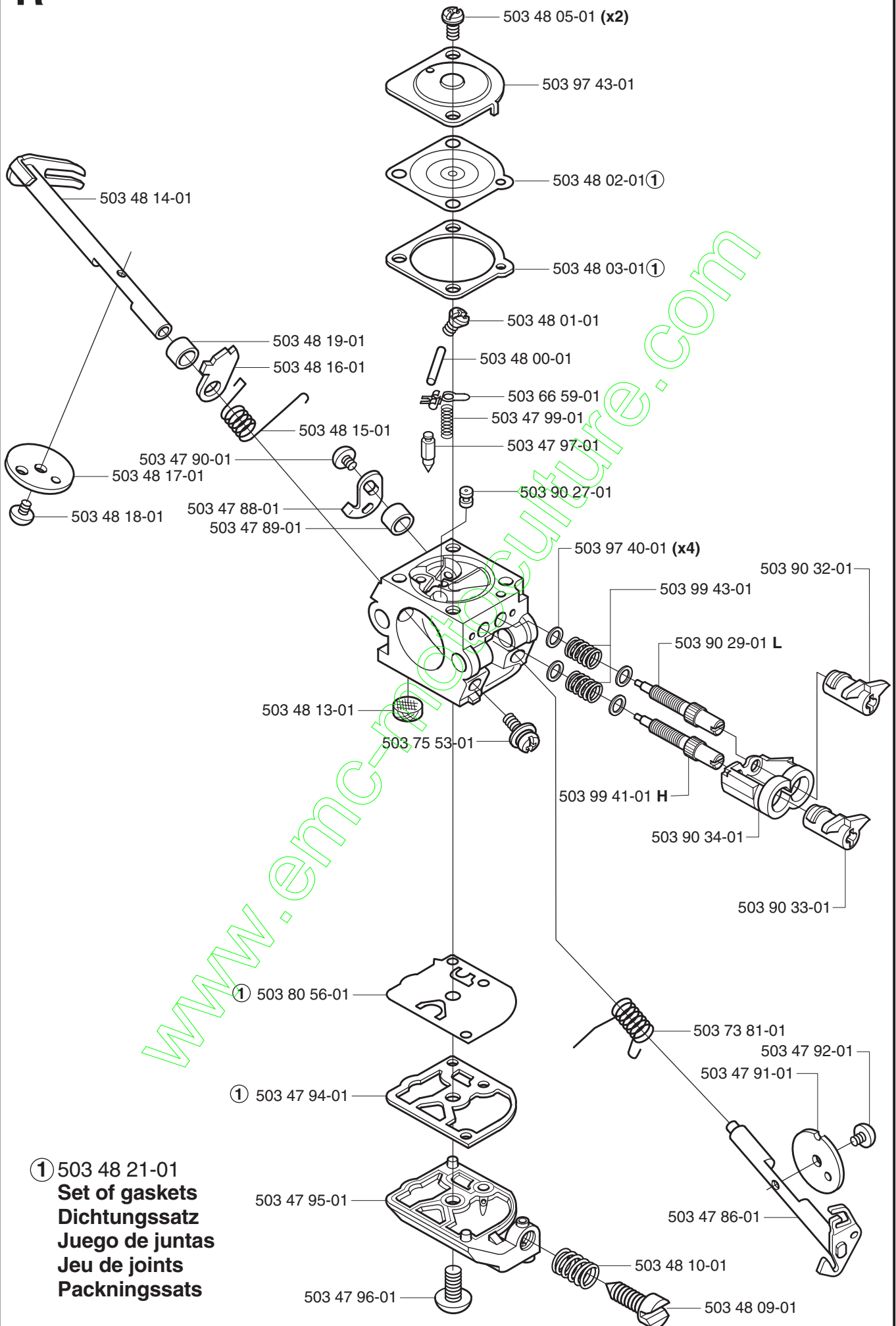


Q

* compl 503 28 13-20

Walbro WT 99

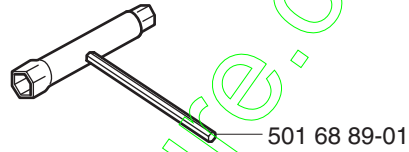
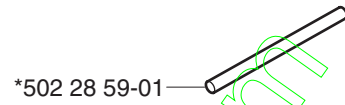
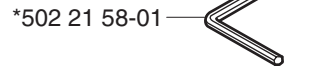
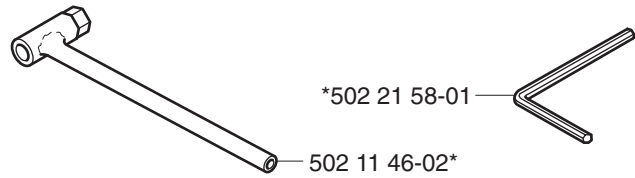
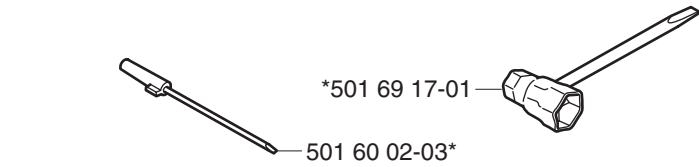
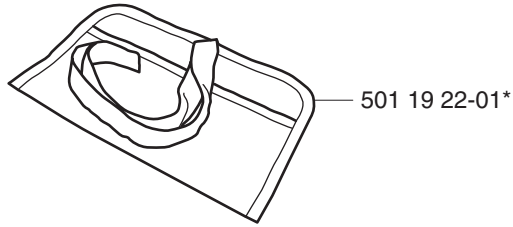
① 502 10 35-01
Set of gaskets
Dichtungssatz
Juego de juntas
Jeu de joints
Packningssats



- ① 503 48 21-01
Set of gaskets
Dichtungssatz
Juego de juntas
Jeu de joints
Packningssats

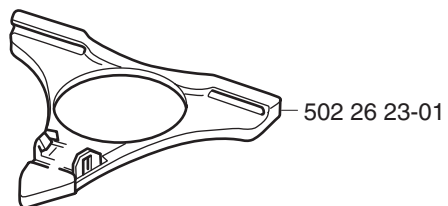
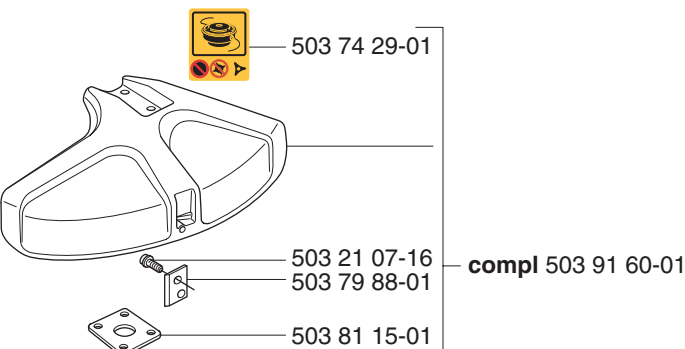
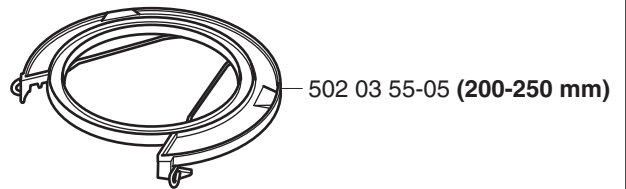
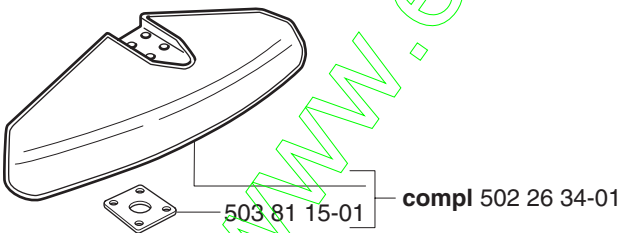
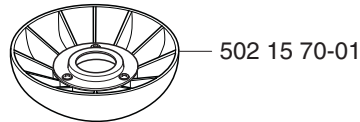
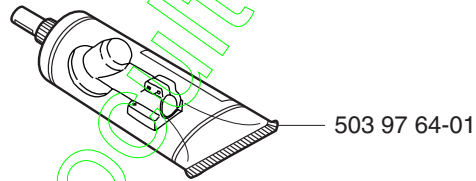
S Accessories
 Zubehöre
 Accessoires
 Accesorios
 Tillbehör

*compl 502 27 33-03



Olja Luftfilter
 Oil Airfilter
 Öl Luftfilter
 Aceite Filtro Air
 Huile Filtera aire

1,0 lit.



T

240R, 245R

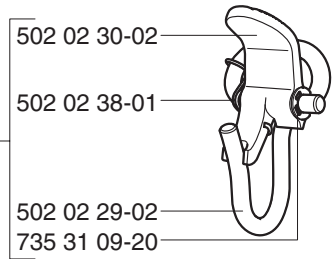
***compl 502 02 00-02**

***compl 502 02 00-03 US**

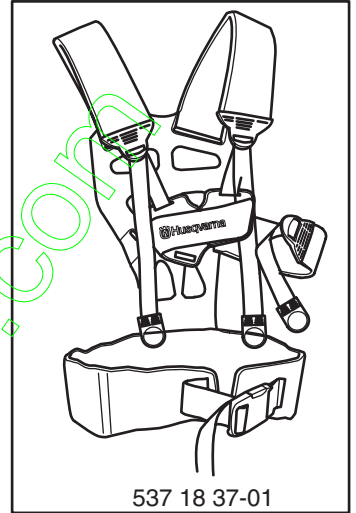
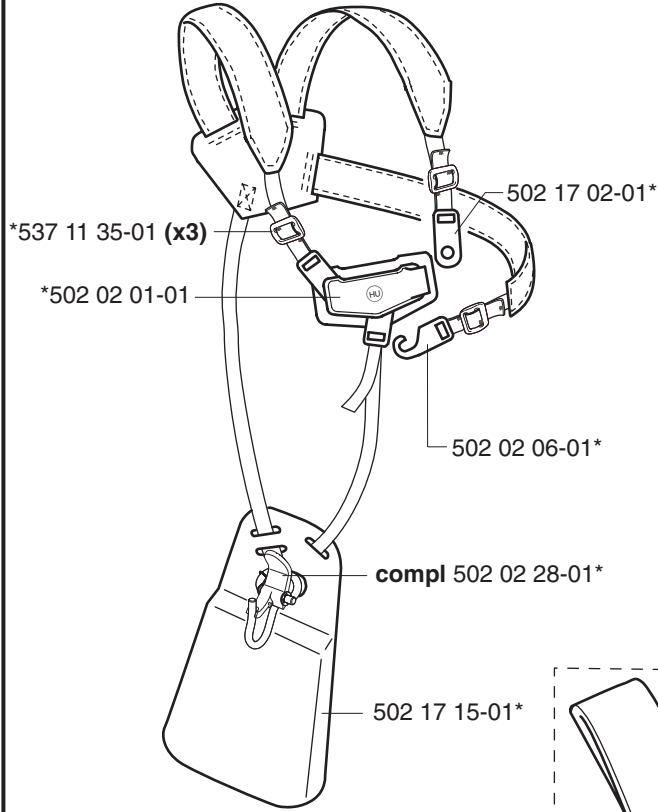
240R

245R

245RX



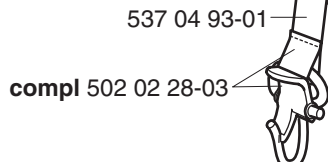
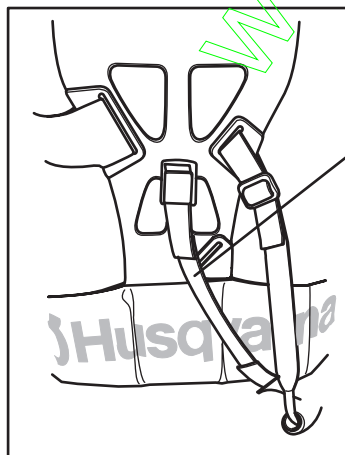
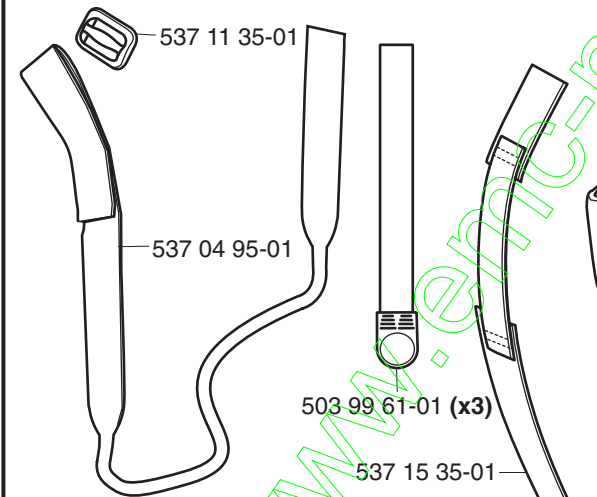
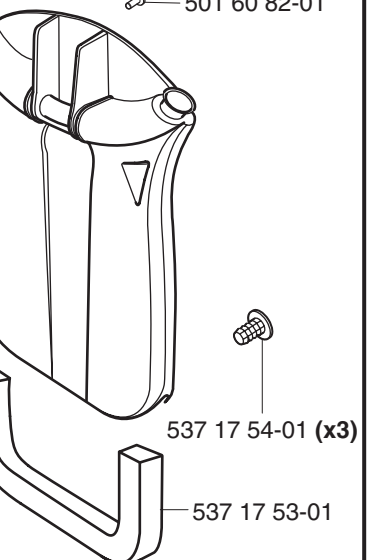
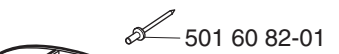
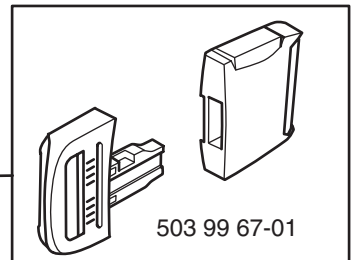
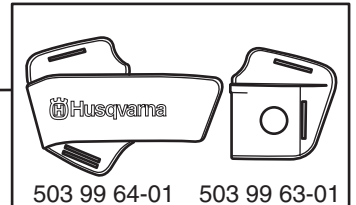
compl 502 02 28-01



245RX

compl 531 00 92-08

compl 531 00 92-09 US



240, 245, 240 EPA, 245 EPA,

PART NUMBER	SQUARE NOTE	PART NUMBER	SQUARE NOTE	PART NUMBER	SQUARE NOTE	PART NUMBER	SQUARE NOTE
501 19 22-01	S	502 15 70-01	S	503 20 07-35	BNP N	503 75 53-01	R
501 27 82-01	C	502 16 00-01	C	503 20 07-45	B N	503 78 32-01	L
501 45 16-01	FG	502 17 02-01	T	503 20 09-20	E	503 79 00-02	L
501 46 69-01	Q	502 17 15-01	T	503 20 25-12	D	503 79 41-01	P
501 46 84-01	Q	502 17 50-05	N	503 20 25-20	L	503 79 88-01	S
501 46 87-01	Q	502 19 71-01	B	503 21 07-16	S	503 80 56-01	R
501 48 54-02	L	502 19 92-01	P	503 21 07-50	K	503 81 15-01	S N
501 60 02-03	S	502 19 94-01	P	503 21 49-32	C N	503 82 80-05	C
501 60 82-01	T N	502 20 21-01	D	503 21 67-22	NP N	503 84 50-01	L
501 66 61-01	Q	502 20 38-01	P	503 21 77-16	M	503 89 67-01	Q
501 66 78-01	Q	502 20 41-01	M	503 21 82-04	D	503 90 12-01	L
501 68 89-01	S	502 20 42-01	M	503 22 10-11	L	503 90 18-01	R
501 69 17-01	S	502 20 43-01	M	503 22 10-12	B	503 90 27-01	S
501 76 31-01	M	502 20 68-01	C	503 22 23-02	D N	503 90 29-01	R
501 76 83-23	K	502 20 85-06	P	503 22 65-04	NP	503 90 32-01	R
501 77 00-02	K	502 20 86-06	P	503 23 00-11	KN N	503 90 33-01	R
501 81 99-03	L	502 21 12-01	P	503 23 00-42	L	503 90 34-01	R
502 02 00-02	T	502 21 26-25	E	503 23 00-62	B	503 91 60-01	S
502 02 00-03	T	502 21 26-26	E	503 23 01-01	L	503 97 40-01	R
502 02 01-01	T	502 21 26-27	E	503 23 51-08	L	503 97 43-01	R
502 02 06-01	T	502 21 58-01	S	503 23 51-11	L	503 97 64-01	S
502 02 28-01	T	502 22 15-01	B	503 28 13-20	KQ	503 99 41-01	R
502 02 28-03	T N	502 22 16-01	B	503 28 31-09	KR	503 99 43-01	R
502 02 29-02	T	502 22 23-01	A	503 28 90-03	F	503 99 59-01	T N
502 02 30-02	T	502 22 26-01	A	503 28 90-05	F	503 99 61-01	T N
502 02 38-01	T	502 22 38-01	N	503 44 08-02	F	503 99 63-01	T N
502 03 10-03	A	502 22 53-01	B	503 44 10-01	F	503 99 64-01	T N
502 03 55-05	S	502 22 67-01	A	503 44 32-01	K	503 99 67-01	T N
502 03 94-03	S	502 22 68-01	A	503 47 86-01	R	503 99 75-01	B
502 04 55-01	A	502 23 02-01	G	503 47 88-01	R	503 99 76-01	B
502 06 28-01	N	502 26 23-01	S	503 47 89-01	R	504 13 08-07	Q
502 10 21-01	Q	502 26 34-01	S	503 47 90-01	R	504 13 09-06	Q
502 10 30-01	Q	502 26 89-01	A	503 47 91-01	R	504 18 44-01	H
502 10 31-01	Q	502 26 93-01	A	503 47 92-01	R	504 21 00-16	H
502 10 32-01	Q	502 26 95-01	A	503 47 94-01	R	504 21 00-49	Q
502 10 35-01	Q	502 27 22-01	S	503 47 95-01	R	504 21 00-50	Q
502 11 06-02	M	502 27 25-01	A	503 47 96-01	R	504 35 09-05	Q
502 11 07-03	J	502 27 28-01	A	503 47 97-01	R	504 35 09-15	Q
502 11 20-02	K	502 27 33-03	S	503 47 99-01	R	505 27 57-19	G
502 11 22-03	D	502 27 63-01	P	503 48 00-01	R	505 27 75-16	L
502 11 23-01	D	502 27 64-01	P	503 48 01-01	R	505 30 51-25	M
502 11 24-02	D	502 27 92-01	P	503 48 02-01	R	505 31 07-51	K
502 11 25-02	D	502 27 92-03	N	503 48 03-01	R	505 31 67-17	Q
502 11 38-01	C	502 27 93-01	P	503 48 05-01	R	505 31 67-54	Q
502 11 39-02	K	502 28 06-11	P	503 48 09-01	R	505 31 67-82	Q
502 11 44-01	Q	502 28 21-01	P	503 48 10-01	R	505 52 01-10	Q
502 11 45-01	E	502 28 24-01	C	503 48 13-01	R	505 52 01-25	Q
502 11 45-02	E	502 28 26-01	P	503 48 14-01	R	505 52 01-27	Q
502 11 46-02	S	502 28 33-03	N	503 48 15-01	R	506 01 06-07	F
502 11 51-04	C	502 28 34-02	N	503 48 16-01	R	506 01 32-02	K
502 11 52-01	H	502 28 35-02	N	503 48 17-01	R	506 01 64-01	M
502 11 53-02	M	502 28 36-03	N	503 48 18-01	R	506 02 80-01	Q
502 11 57-03	K	502 28 37-05	N	503 48 19-01	R	531 00 60-76	S
502 11 58-01	K	502 28 44-01	N	503 48 21-01	R	531 00 92-08	T N
502 11 59-02	A N	502 28 55-01	A	503 48 90-01	F	531 00 92-09	T N
502 11 77-01	H	502 28 56-01	A	503 54 39-01	M	537 00 76-01	B
502 11 79-06	P	502 28 57-02	A	503 56 34-01	Q	537 01 40-01	A
502 11 93-01	K N	502 28 59-01	S	503 57 02-01	Q	537 01 40-02	A
502 11 94-01	Q	502 28 60-08	N	503 57 38-06	G	537 02 76-02	A
502 11 96-01	Q	502 28 62-01	A	503 57 42-01	Q	537 04 92-01	T N
502 11 97-01	Q	503 10 47-01	Q	503 57 89-01	C	537 04 93-01	T N
502 12 02-03	A	503 10 87-01	Q	503 61 23-01	Q	537 04 94-01	T N
502 12 02-05	A	503 17 31-02	H	503 61 24-01	Q	537 04 95-01	T N
502 12 23-08	E	503 20 02-16	K	503 62 52-01	Q	537 06 71-01	N
502 12 56-02	D	503 20 03-16	A N	503 66 59-01	R	537 06 72-01	N
502 14 43-05	N	503 20 04-35	J	503 71 02-03	L	537 11 35-01	T
502 14 44-01	N	503 20 07-16	AM N	503 71 82-01	P	537 15 35-01	T N
502 14 47-01	N	503 20 07-20	H N	503 73 45-01	B	537 17 12-01	T
502 14 50-04	N	503 20 07-25	HP N	503 73 81-01	R	537 17 53-01	T N
502 14 51-02	NP	503 20 07-30	A N	503 74 29-01	S	537 17 54-01	T N

N = New part
 Neues teil
 Nouvelle piece
 Nueva pieza
 Ny detalj

PART NUMBER	SQUARE	NOTE	PART NUMBER	SQUARE	NOTE	PART NUMBER	SQUARE	NOTE	PART NUMBER	SQUARE	NOTE
537 17 54-01	T	N									
537 18 37-01	T	N									
720 12 12-20	N										
725 23 82-88	P	N									
729 52 52-75	N										
735 31 09-20	T										
735 31 17-00	A										
737 44 10-00	F										
738 21 02-00	A										
738 21 02-04	A										
738 22 02-25	G	N									
738 22 03-25	A										
740 42 21-00	A										
740 42 24-00	A										
740 44 08-00	A										
740 51 13-01	A	N									

www.emc-motoculture.com

N = New part
 Neues teil
 Nouvelle piece
 Nueva pieza
 Ny detalj