

# 371 K, 371 K EPA 375 K, 375 K EPA

**Spare parts**

**Ersatzteile**

**Pièces détachées**

**Reserve onderdelen**

**Repuestos**

**Reservdelar**

Replaces

Ersetzt

Remplace

Vervangt

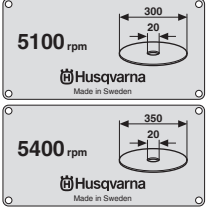
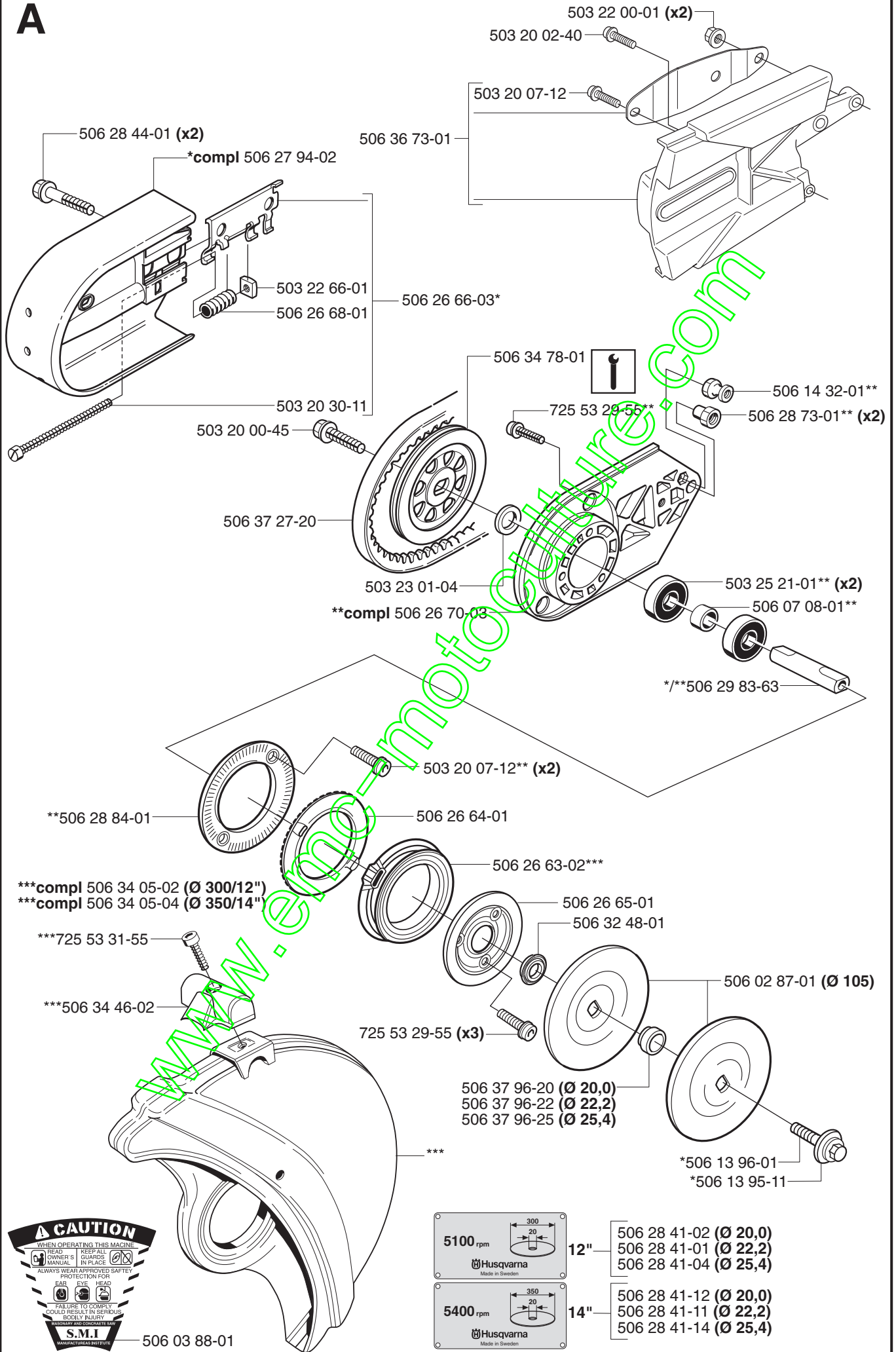
Reemplaza

Ersätter

106 25 43-65

[www.emc-motoculture.com](http://www.emc-motoculture.com)

**A**



- 506 28 41-02 (Ø 20,0)
- 506 28 41-01 (Ø 22,2)
- 506 28 41-04 (Ø 25,4)
- 506 28 41-12 (Ø 20,0)
- 506 28 41-11 (Ø 22,2)
- 506 28 41-14 (Ø 25,4)

# B

\*compl 506 27 16-71 503 20 02-16

503 22 00-01

\*

\*506 26 84-01

506 28 76-01

506 28 75-02

503 23 01-15

506 32 62-71

506 32 45-01

740 44 05-00

503 25 53-01

503 23 01-09



506 27 15-01



506 27 15-02

503 74 44-01

503 74 43-01

# C

503 20 34-30 (x2)

506 26 18-01

506 26 91-01

506 26 19-01

506 26 34-01

506 26 90-01

\*506 28 39-03

503 20 07-12

503 20 02-60 (x3)

\*compl 506 26 17-61

506 26 89-01



506 27 33-11  
EPA USA

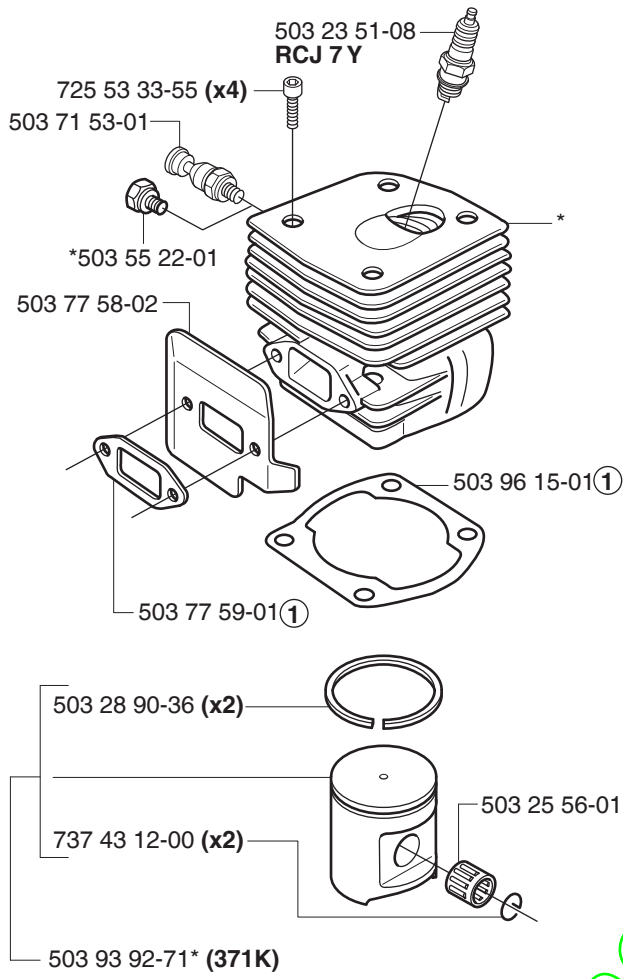


506 27 33-12 CE

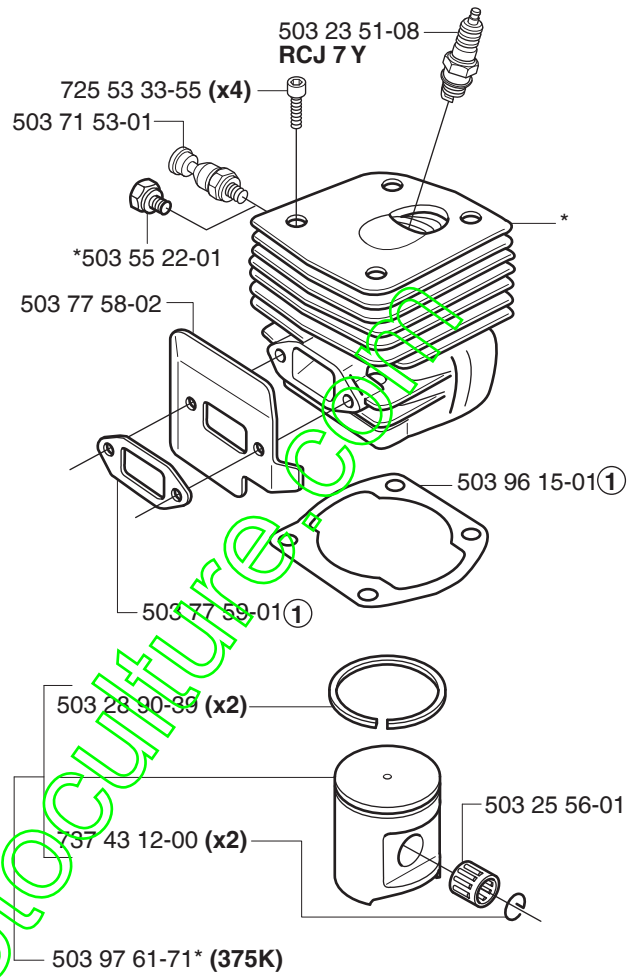


506 27 33-13  
EPA CANADA

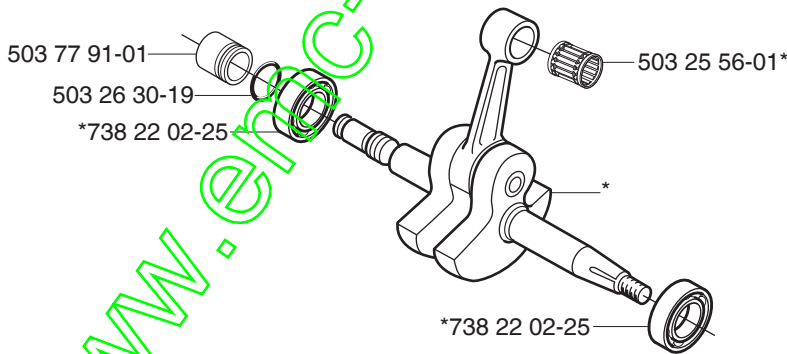
**D** \*compl 503 93 93-72 (371K)



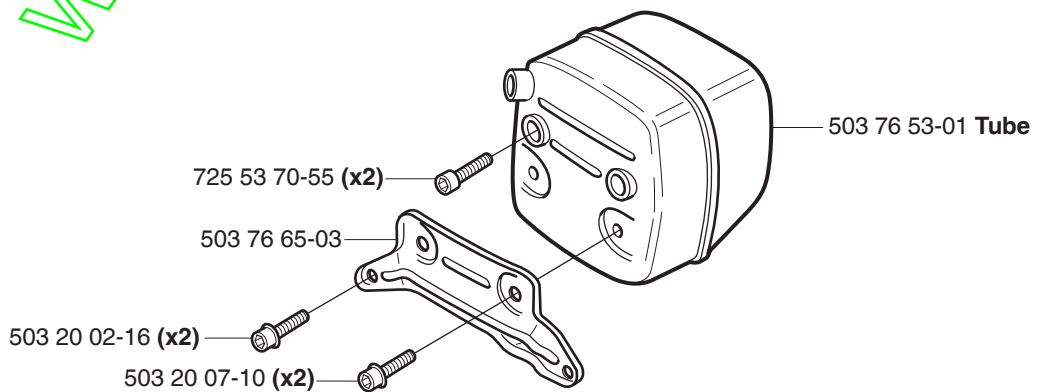
**D** \*compl 503 97 59-02 (375K)



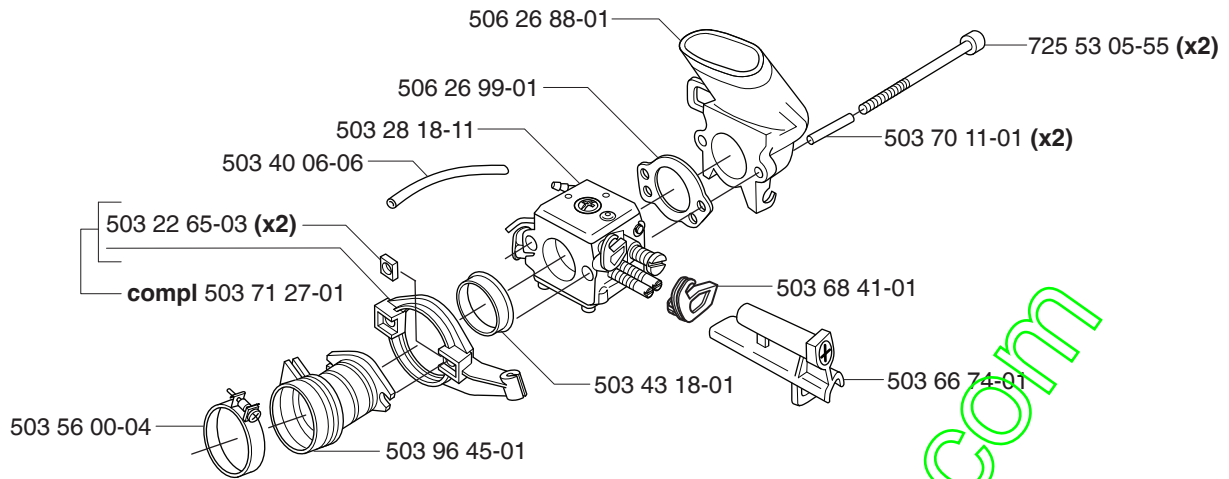
**E** \*compl 503 72 91-79



**F**

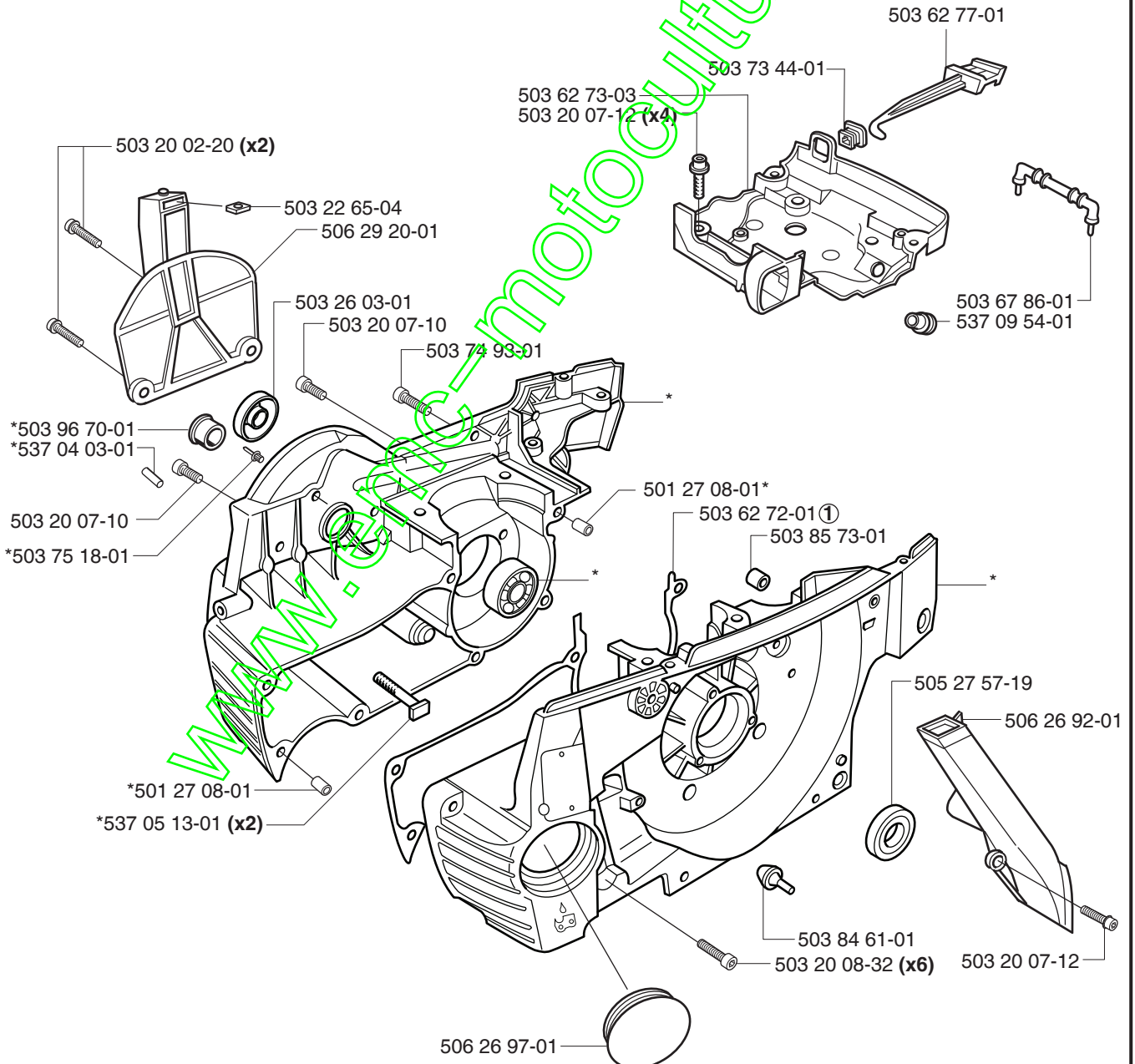


# G



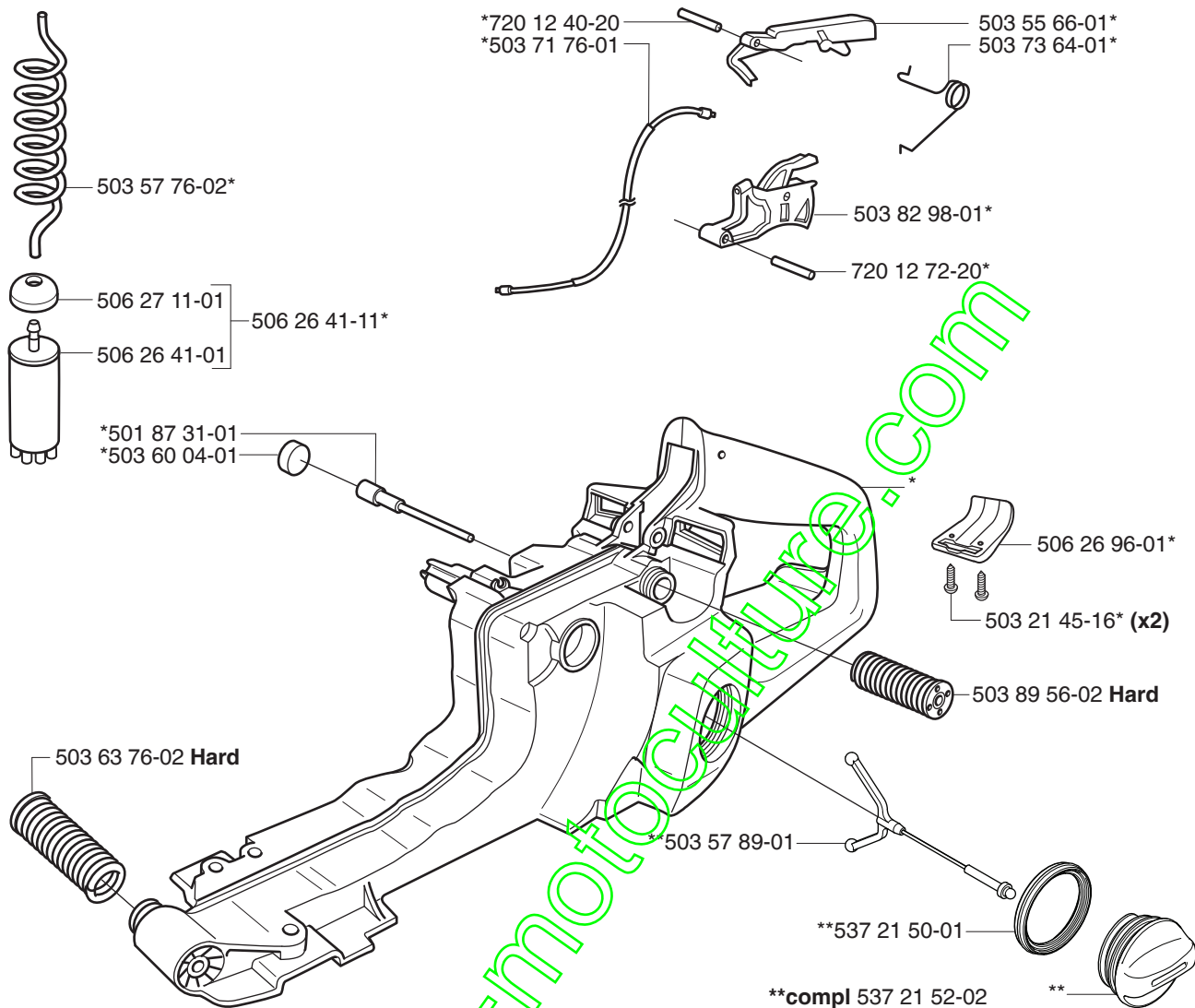
# H

\*compl 503 62 68-76

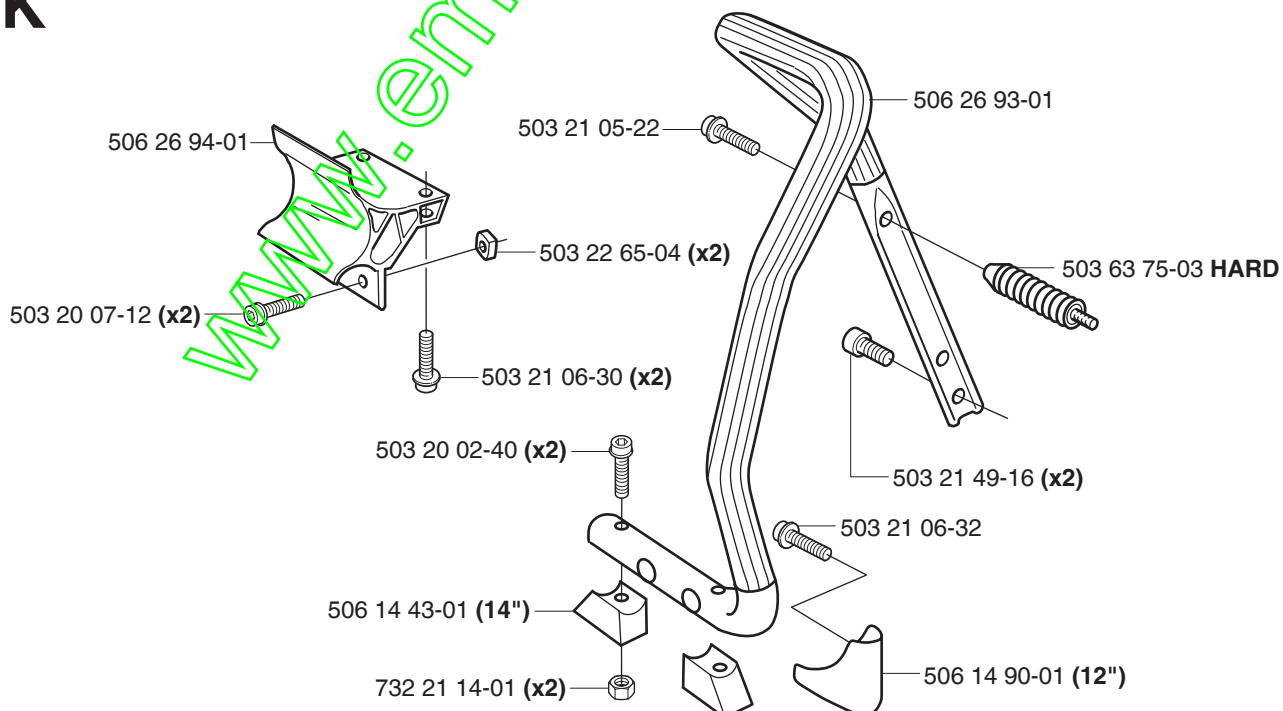


# J

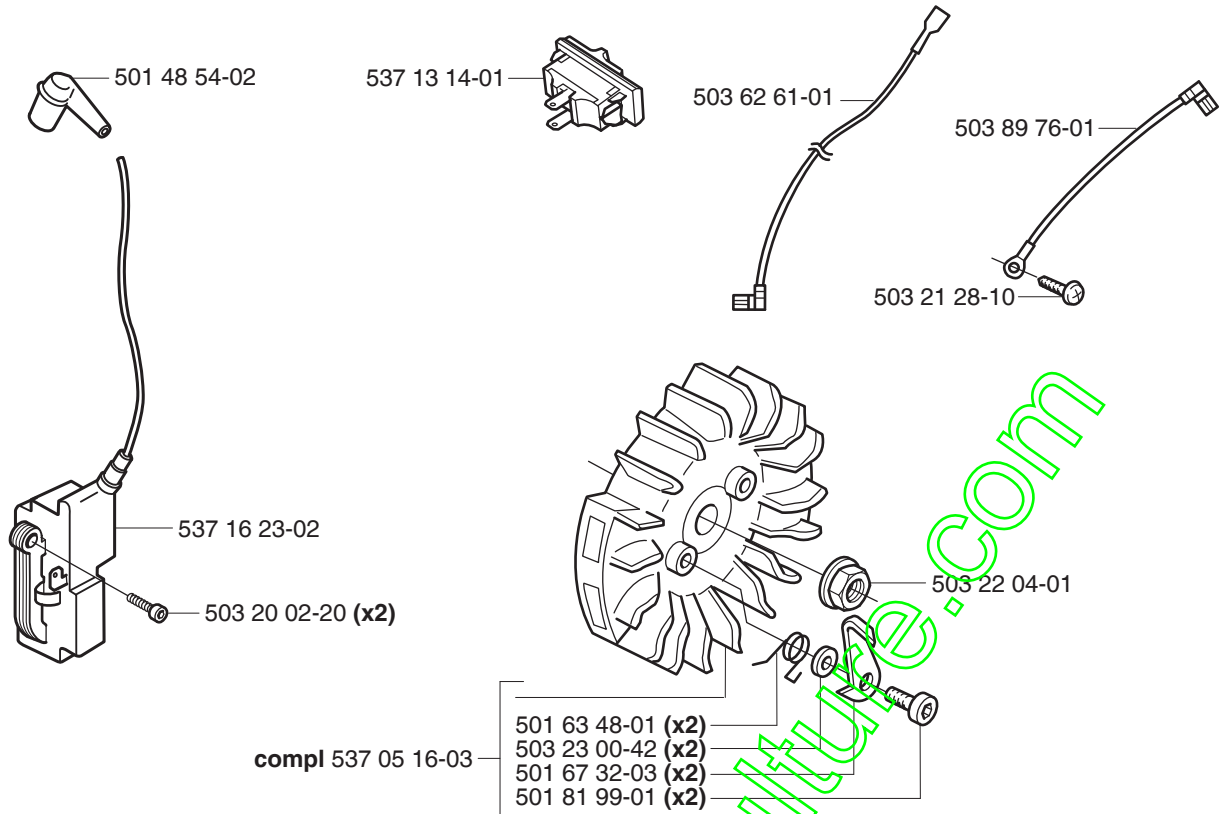
\*compl 503 71 32-76



# K

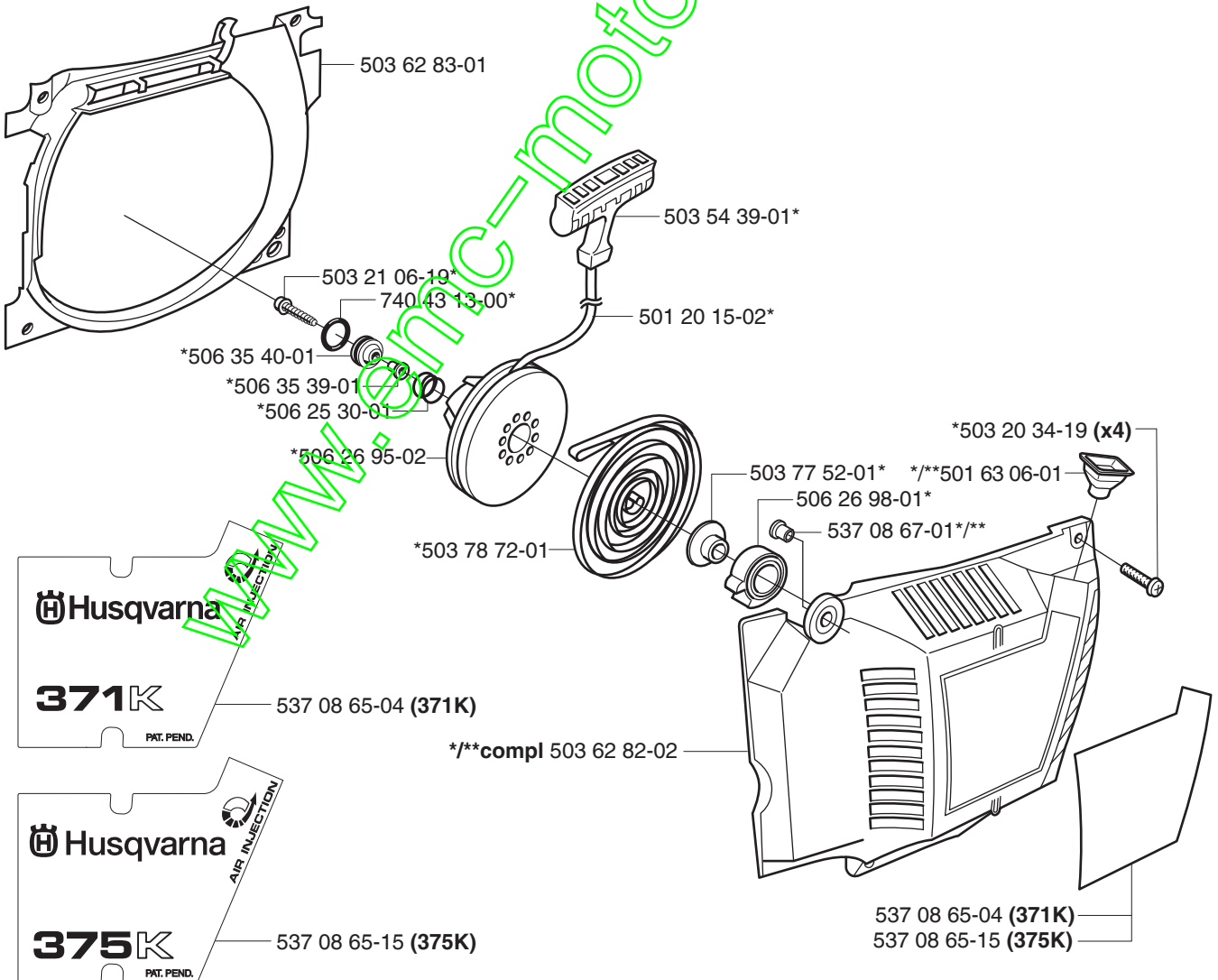


**L**



**M**

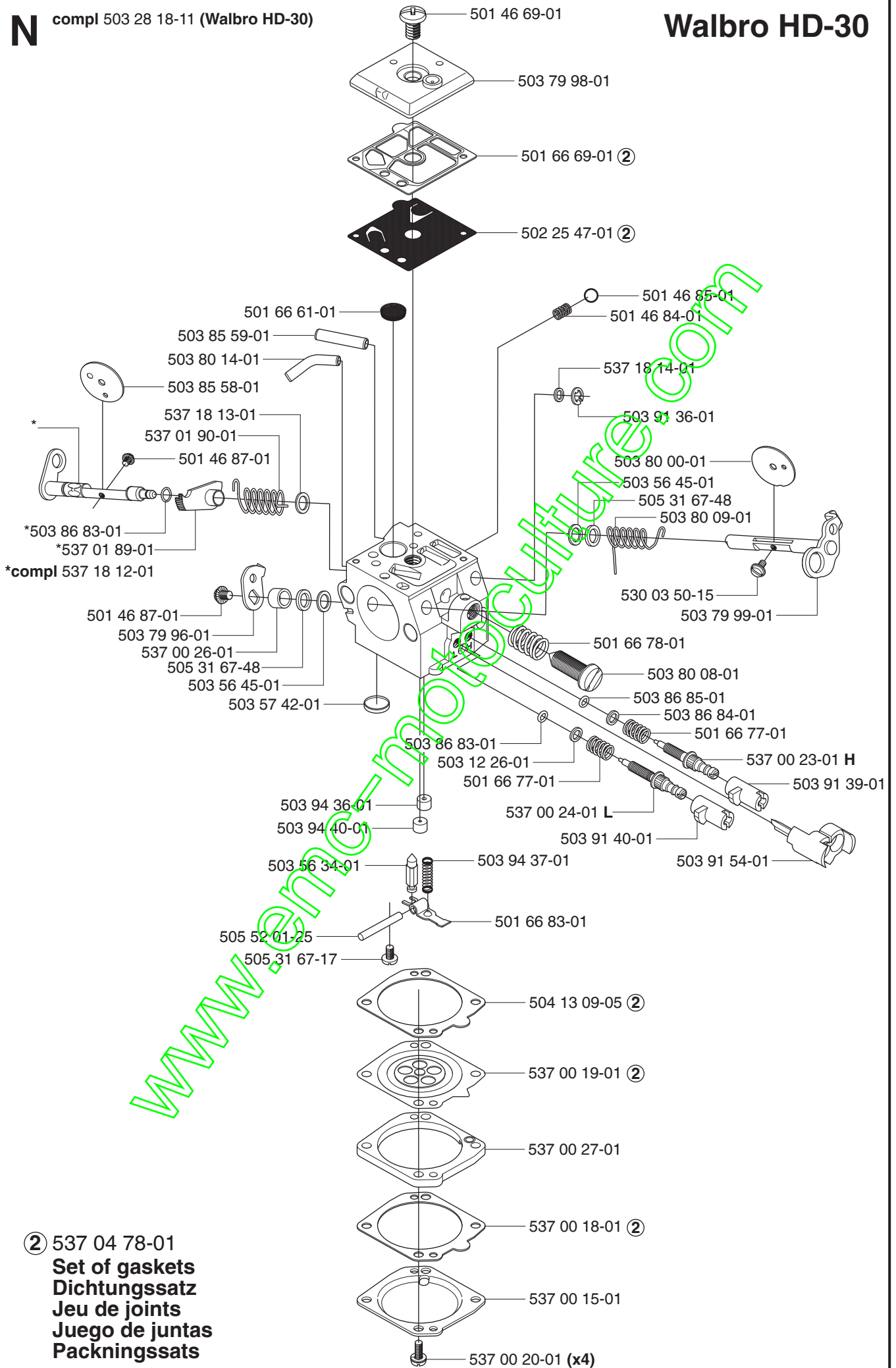
\*compl 506 35 41-71



N

compl 503 28 18-11 (Walbro HD-30)

Walbro HD-30



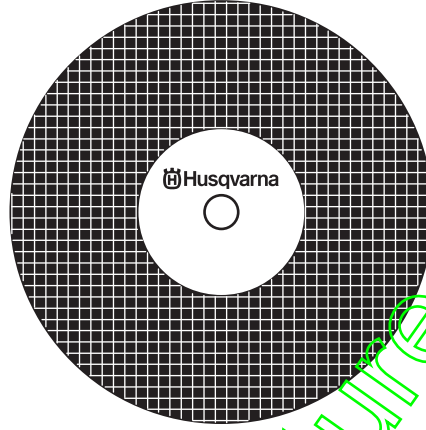
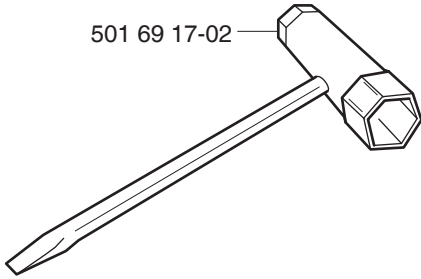
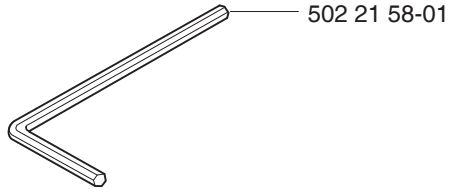
(2) 537 04 78-01  
**Set of gaskets**  
**Dichtungssatz**  
**Jeu de joints**  
**Juego de juntas**  
**Packningssats**



**P** Accessories  
Zubehöre  
Accessories  
Accesorios  
Tillbehör

Gasket set  
Dichtungssatz  
Jeu de joints  
Juego de juntas  
Packningssats

① 503 64 72-01

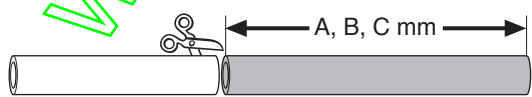
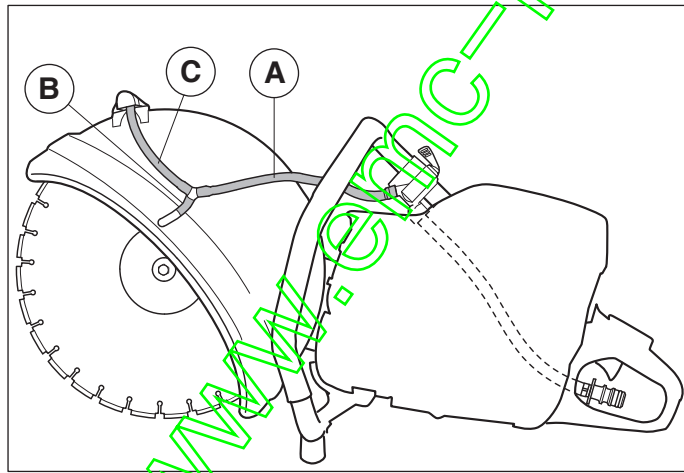
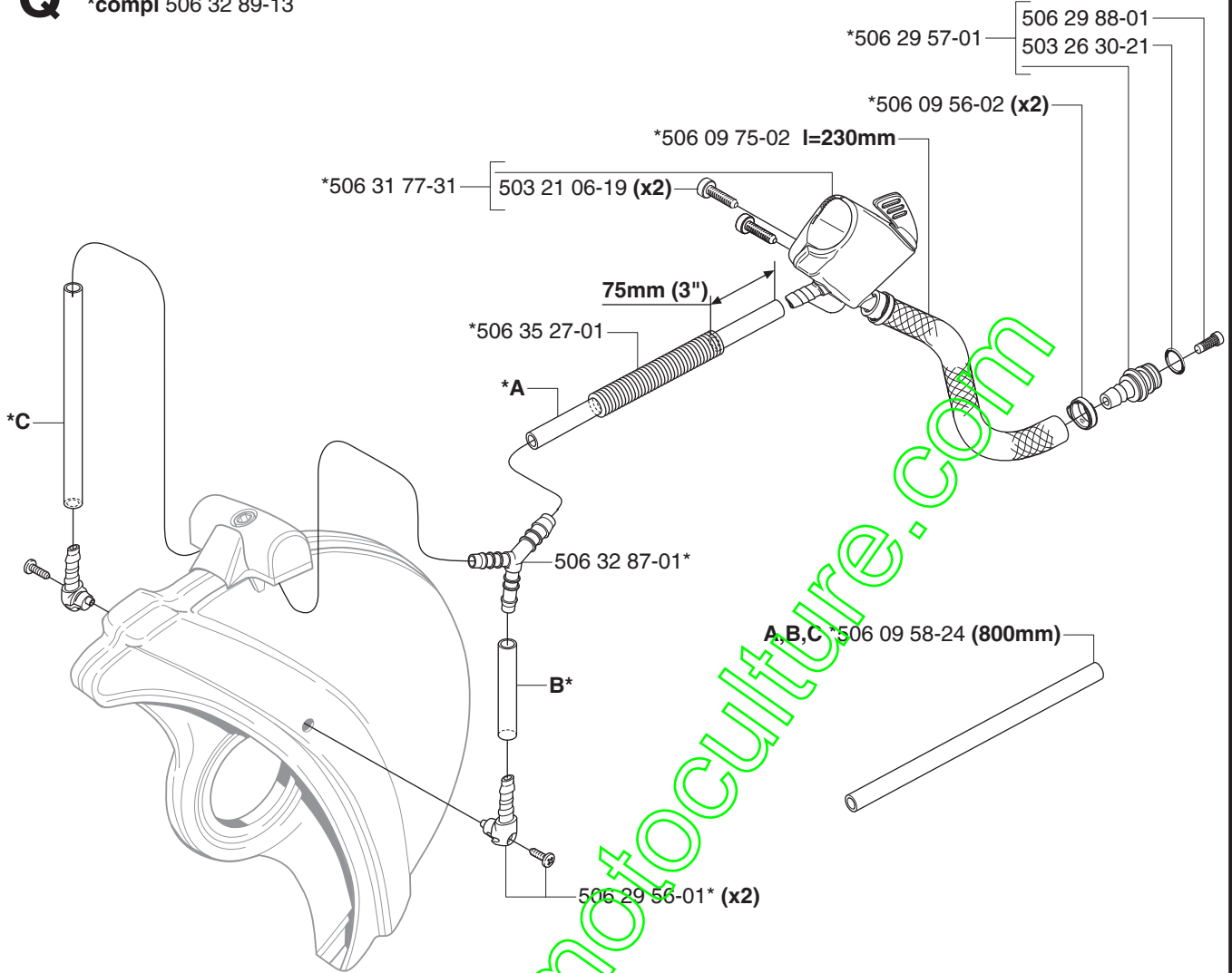


506 36 78-02 12" (300/20)  
506 36 78-04 14" (350/20)

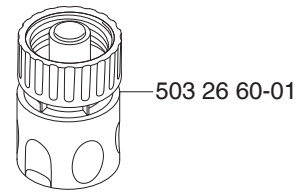
www.emc-motoculture.com

**Q**

**Wet cutting kit (New)**  
**\*compl 506 32 89-13**



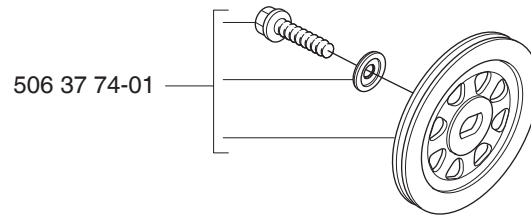
Product		A (mm)	B (mm)	C (mm)
<b>371K</b>	12"	255	45	240
<b>371K</b>	14"	255	45	280
<b>375K</b>	12"	255	45	240
<b>375K</b>	14"	255	45	280



R



Up to 023200206 (371K)

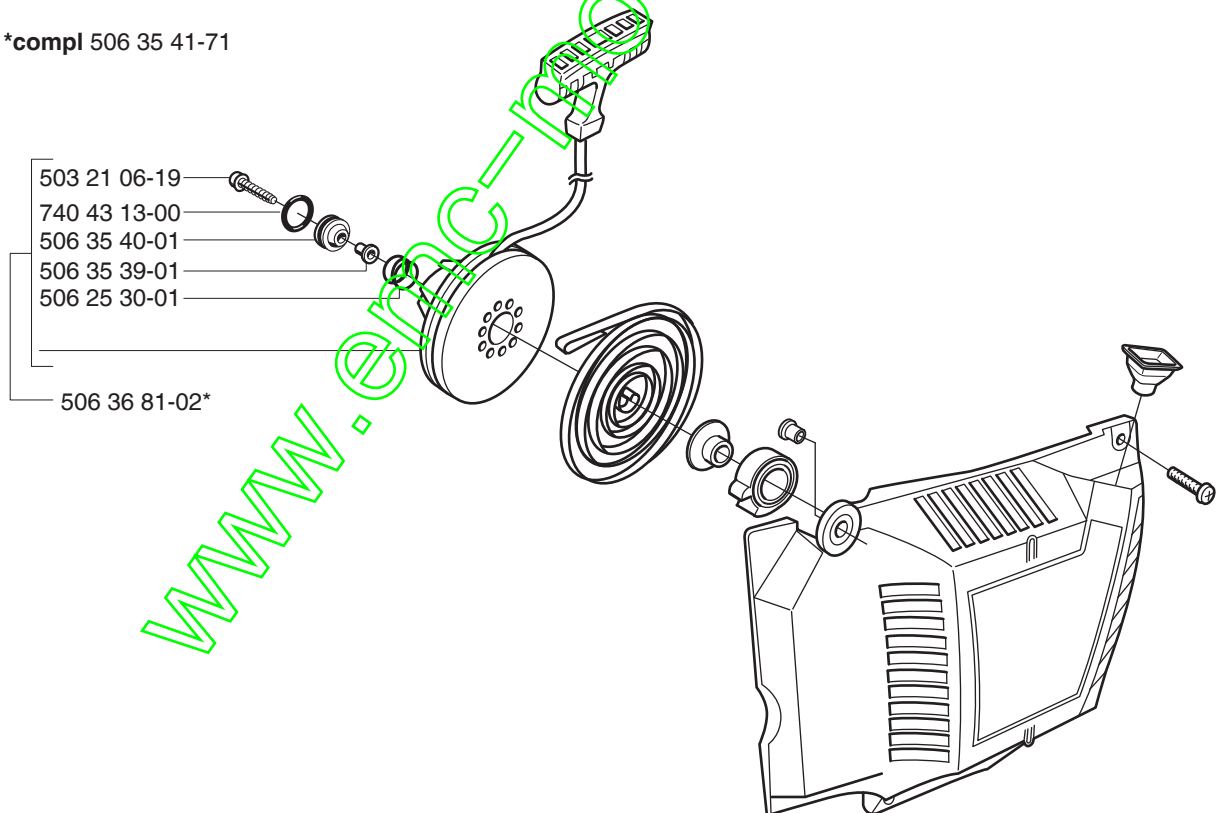


506 37 74-01



Up to 024600119 (371K)

\*compl 506 35 41-71



503 21 06-19

740 43 13-00

506 35 40-01

506 35 39-01

506 25 30-01

506 36 81-02\*

PART NUMBER	SQUARE	NOTE	PART NUMBER	SQUARE	NOTE	PART NUMBER	SQUARE	NOTE	PART NUMBER	SQUARE	NOTE
501 20 15-02	M		503 60 04-01	J		506 03 88-01	A		506 35 39-01	M,R	
501 27 08-01	H		503 62 61-01	L		506 07 08-01	A		506 35 40-01	M,R	
501 46 69-01	N		503 62 68-76	H		506 09 56-02	Q		506 35 41-71	M,R	
501 46 84-01	N		503 62 72-01	H	1	506 09 58-24	Q		506 36 73-01	A	
501 46 85-01	N		503 62 73-03	H		506 09 75-02	Q		506 36 78-02	P	
501 46 87-01	N		503 62 77-01	H		506 13 95-11	A		506 36 78-04	P	
501 48 54-02	L		503 62 82-02	M		506 13 96-01	A		506 36 81-02	R	
501 63 06-01	M		503 62 83-01	M		506 14 32-01	A		506 37 27-20	A	
501 63 48-01	L		503 63 75-03	K		506 14 43-01	K		506 37 74-01	R	
501 66 61-01	N		503 63 76-02	J		506 14 90-01	K		506 37 96-20	A	
501 66 69-01	N	2	503 64 72-01	P	compl 1	506 25 30-01	M,R		506 37 96-22	A	
501 66 77-01	N		503 66 74-01	G		506 26 17-61	C		506 37 96-25	A	
501 66 78-01	N		503 67 86-01	H		506 26 18-01	C		530 03 50-15	N	
501 66 83-01	N		503 68 41-01	G		506 26 19-01	C		537 00 15-01	N	
501 67 32-03	L		503 70 11-01	G		506 26 34-01	C		537 00 18-01	N	
501 69 17-02	P		503 71 27-01	G		506 26 41-11	J		537 00 19-01	N	2
501 81 99-01	L		503 71 32-76	J		506 26 63-02	A		537 00 20-01	N	
501 87 31-01	J		503 71 53-01	D		506 26 64-01	A		537 00 23-01	N	
502 21 58-01	P		503 71 76-01	J		506 26 65-01	A		537 00 24-01	N	
502 25 47-01	N	2	503 72 91-79	E		506 26 66-03	A		537 00 26-01	N	
503 12 26-01	N		503 73 44-01	H		506 26 68-01	A		537 00 27-01	N	
503 20 00-45	A		503 73 64-01	J		506 26 70-03	A		537 01 89-01	N	
503 20 02-10	H		503 74 43-01	B		506 26 84-01	B		537 01 90-01	N	
503 20 02-12	A		503 74 44-01	B		506 26 88-01	G		537 04 03-01	H	
503 20 02-12	C,H,K		503 74 93-01	H		506 26 89-01	C		537 04 78-01	N	compl 2
503 20 02-16	B,F		503 75 18-01	H		506 26 90-01	C		537 05 13-01	H	
503 20 02-20	H		503 76 53-01	F		506 26 91-01	C		537 05 16-03	L	
503 20 02-20	L		503 76 65-03	F		506 26 92-01	H		537 08 65-04	M	
503 20 02-40	A,K		503 77 52-01	M		506 26 93-01	K		537 08 65-15	M	
503 20 02-60	C		503 77 58-02	D		506 26 94-01	K		537 08 67-01	M	
503 20 07-10	F		503 77 59-01	D		506 26 95-02	M		537 09 54-01	H	
503 20 07-12	H		503 77 91-01	E		506 26 96-01	J		537 13 14-01	L	
503 20 08-32	H		503 78 72-01	M		506 26 97-01	H		537 16 23-02	L	
503 20 30-11	A		503 79 96-01	N		506 26 98-01	M		537 18 12-01	N	
503 20 34-19	M		503 79 98-01	N		506 26 99-01	G		537 18 13-01	N	
503 20 34-30	C		503 79 99-01	N		506 27 11-01	J		537 18 14-01	N	
503 21 05-22	K		503 80 00-01	N		506 27 15-01	B		537 21 50-01	J	
503 21 06-19	M,Q,R		503 80 08-01	N		506 27 15-02	B		537 21 52-02	J	
503 21 06-30	K		503 80 09-01	N		506 27 16-71	B		720 12 40-20	J	
503 21 06-32	K		503 80 14-01	N		506 27 33-11	C		720 12 72-20	J	
503 21 28-10	L		503 82 98-01	J		506 27 33-12	C		725 53 05-55	G	
503 21 45-16	J,K		503 84 61-01	H		506 27 33-13	C		725 53 29-55	A	
503 22 00-01	A,B		503 85 58-01	N		506 27 94-02	A		725 53 31-55	A	
503 22 04-01	L		503 85 59-01	N		506 28 39-03	C		725 53 33-55	D	
503 22 65-03	G		503 85 73-01	H		506 28 41-01	A		725 53 70-55	F	
503 22 65-04	H,K		503 86 83-01	N		506 28 41-02	A		732 21 14-01	K	
503 22 66-01	A		503 86 84-01	N		506 28 41-04	A		737 43 12-00	D	
503 23 00-42	L		503 86 85-01	N		506 28 41-11	A		738 22 02-25	E	
503 23 01-04	A		503 89 56-02	J		506 28 41-12	A		740 43 13-00	M,R	
503 23 01-09	B		503 89 76-01	L		506 28 41-14	A		740 44 05-00	B	
503 23 01-15	B		503 91 36-01	N		506 28 44-01	A				
503 23 51-08	D		503 91 39-01	N		506 28 73-01	A				
503 25 21-01	A		503 91 40-01	N		506 28 75-02	B				
503 25 53-01	B		503 91 54-01	N		506 28 76-01	B				
503 25 56-01	D,E		503 93 92-71	D		506 28 84-01	A				
503 26 03-01	H		503 93 93-72	D		506 29 20-01	H				
503 26 30-19	E		503 94 36-01	N		506 29 56-01	Q				
503 28 18-11	G,N		503 94 37-01	N		506 29 57-01	Q				
503 28 90-36	D		503 94 40-01	N		506 29 83-63	A				
503 40 06-06	G		503 96 15-01	D		506 31 77-31	Q				
503 43 18-01	G		503 96 45-01	G		506 32 45-01	B				
503 54 39-01	M		503 96 70-01	H		506 32 48-01	A				
503 55 22-01	D		503 97 59-02	D		506 32 62-71	B				
503 55 66-01	J		503 97 61-71	D		506 32 87-01	Q				
503 56 00-04	G		504 13 09-05	N	2	506 32 89-13	Q				
503 56 34-01	N		505 27 57-19	H		506 34 05-02	A				
503 56 45-01	N		505 31 67-17	N		506 34 05-04	A				
503 57 42-01	N		505 31 67-48	N		506 34 46-02	A				
503 57 76-02	J		505 52 01-25	N		506 34 78-01	A				
503 57 89-01	J		506 02 87-01	A		506 35 27-01	Q				

1 = 503 64 72-01  
2 = 537 04 78-01

Set of gaskets, Dichtungssatz,  
Jeu de joints, Juego de juntas,  
Packningssats

N = New part, Neues teil,  
Nouvelle piece, Nueva pieza  
Ny detalj

EPA = Environmental Protection Agency  
(for USA only)  
EU = European Union