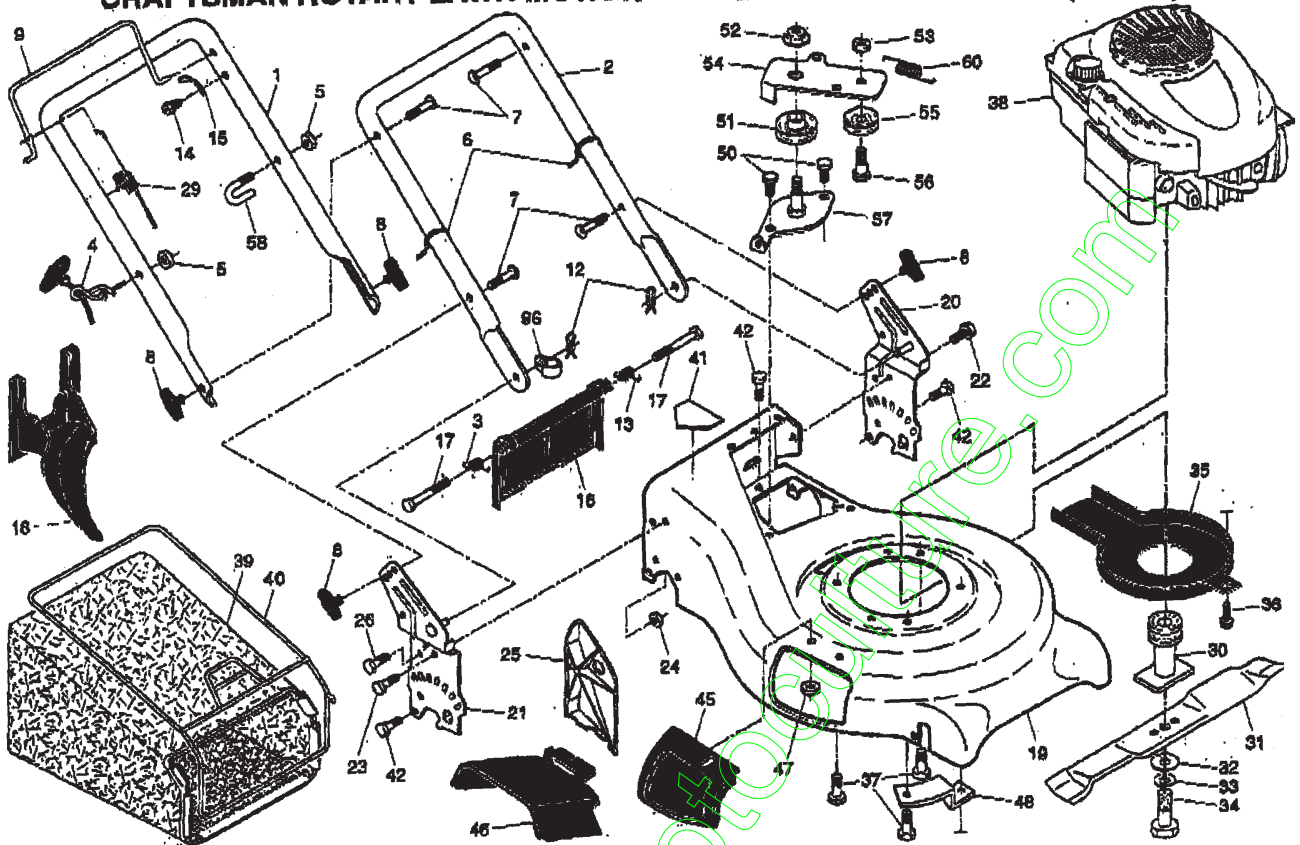


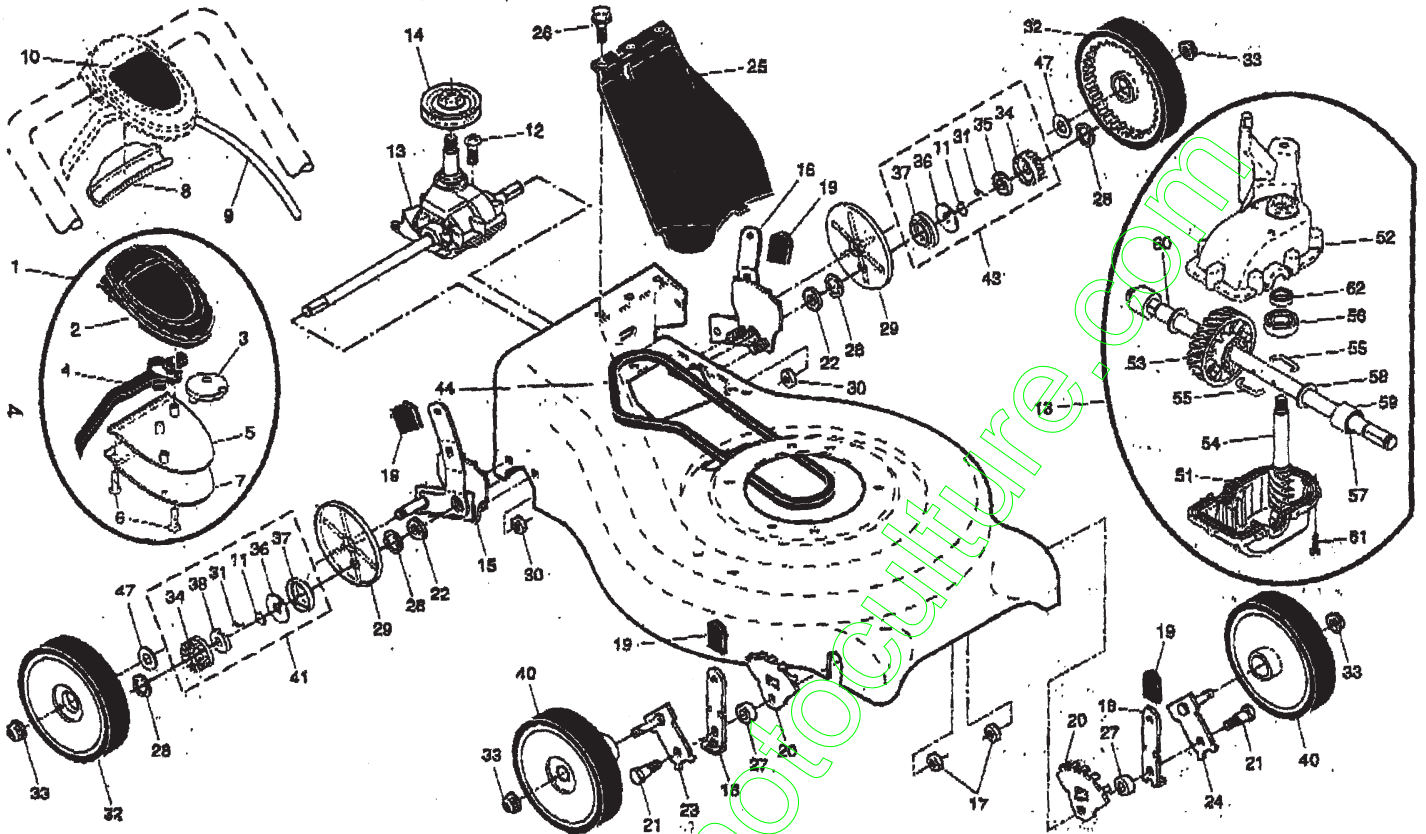
## CRAFTSMAN ROTARY LAWN MOWER -- MODEL NUMBER 38996 (389961)



## CRAFTSMAN ROTARY LAWN MOWER -- MODEL NUMBER 38996 (389961)

KEY NO.	PART NO.	DESCRIPTION	KEY NO.	PART NO.	DESCRIPTION
1	194579X479	Handle, Upper	33	850263	Washer, Lock
2	193864X479	Handle, Lower	34	851084	Bolt, Hex Head
3	188053	Spring, Rear Door, RH	35	188786	Debris Shield
4	194788	Rope Guide	36	192325	Bolt
5	132004	Nut, Hex, with Lockwasher Insert 1/4-20	37	150406	Bolt, Engine
6	66426	Wire, Tie	38		Engine, Briggs & Stratton, Model Number 124K02-0511-B1 (See Breakdown)
7	191574	Bolt, Handle 5/16-18 x 2-5/8	39	401758	Grassbag
8	189713X428	Knob, Handle	40	194844	Frame, Grassbag
9	194590X428	Control Bar	41	182188	Danger Decal
12	51793	Cotter, Hairpin	42	54583	Screw
13	186052	Spring, Rear Door, LH	45	183058X428	Mulcher Door Assembly
14	750634	Screw	46	169689X428	Discharge Deflector
15	850733X004	Bracket, Upstop	47	88349	Nut, Hex
16	185855X428	Kit, Rear Door (Includes Springs)	48	188839X004	Mounting Bracket, Debris Shield
17	184193	Bolt, Rear Door	50	57908	Screw
18	198170	Plug, Mulcher	51	193791	Pulley, Idler
19	197328	Kit, Housing	52	145212	Flanged Nut
20	192980X479	Handle Bracket Assembly, LH	53	155552	Locknut
21	192979X479	Handle Bracket Assembly, RH	54	193792X004	Idler Arm
22	150078	Screw, Hex Washer Head	55	186043	Idler Pulley
23	163183	Bolt, Hex Head 5/16-18 x 5/8	56	180829	Shoulder Bolt
24	73800500	Nut, Hex, with Lockwasher Insert 5/16-18	57	198315X004	Bracket Assembly
25	161333	Baffle, Side	58	182003	Clip, Packaging
26	163409	Screw #12 x 5/8	60	182226	Spring, Return
29	191221	Cable, Operator Presence	96	197891	Clip, Cable
30	189179	Blade Adapter / Pulley	--	197323	Operator's Manual, European
31	199377	Blade, 21"	--	197325	Operator's Manual, Scandinavian
32	851074	Washer	--	403042	Repair Parts Manual, English

## CRAFTSMAN ROTARY LAWN MOWER -- MODEL NUMBER 38996 (389961)



## CRAFTSMAN ROTARY LAWN MOWER -- MODEL NUMBER 38996 (389961)

KEY NO.	PART NO.	DESCRIPTION	KEY NO.	PART NO.	DESCRIPTION
1	195989	Drive Control Assembly (includes Cable)	28	12000058	E-Ring .7/16
2	195745	Cover, Top	29	189403	Cover, Dust, Wheel
3	187353	Pulley	30	73800400	Nut, Hex
4	195585	Lever, Drive Control	31	175098	Pawl
5	195744	Cover, Bottom	32	184231X427	Wheel & Tire Assembly, Rear 8 x 1-3/4
6	181698	Screw	33	83923	Nut, Flangelock 3/8-16
7	400235X479	Mounting Bracket	34	175103	Gear
8	184987	Cap, Bottom	35	175105	Retainer, Drive, LH
9	196002	Cable, Drive	36	175104	Disc, Drive
10	197365	Decal, Drive Control	37	184172	Seal, Friction
11	188291	Spring, Torsion	38	175102	Retainer, Drive, RH
12	187653	Screw	40	194230X427	Wheel & Tire Assembly, Front 8 x 1-3/4
13	193354	Gear Case Assembly, Complete	41	188330	Pinion Assembly, RH
14	193443	Pulley, Drive	43	188331	Pinion Assembly, LH
15	197235	Kit, Wheel Adjuster Assembly, RH (includes Knob and Bearing)	44	183688	V-Belt
16	197234	Kit, Wheel Adjuster Assembly, LH (includes Knob and Bearing)	47	67725	Washer
17	186785	Nut, Hex	51	187530	Case, Lower
18	188360X004	Spring, Selector	52	187531	Case, Upper
19	701037	Knob, Selector Spring	53	187532	Gear, 24 Teeth
20	180835X007	Bracket, Wheel Adjusting	54	187533	Shaft, Input
21	180828	Bolt, Shoulder, Hex Head	55	183505	Wire, Formed
22	189911	Bearing, Ball	56	183506	Bearing, Ball
23	186578X004	Axis Arm Assembly, RH	57	183508	Seal, Output Shaft
24	186577X004	Axis Arm Assembly, LH	58	183509	Washer
25	189775X428	Cover Drive	59	183511	Bushing
26	750634	Screw, Threaded, Rolled #10-25 x .50	60	197385	Shaft, Output
27	183901	Spacer	61	183513	Screw
			62	183514	Seal, Input Shaft

\* Use Dow Corning #709 to reseat Gear Case Halves.