

395

395 EPA

Spare parts

Ersatzteile

Pièces détachées

Reserve onderdelen

Repuestos

Reservdelar

Replaces

Ersetzt

Remplace

Vervangt

Reemplaza

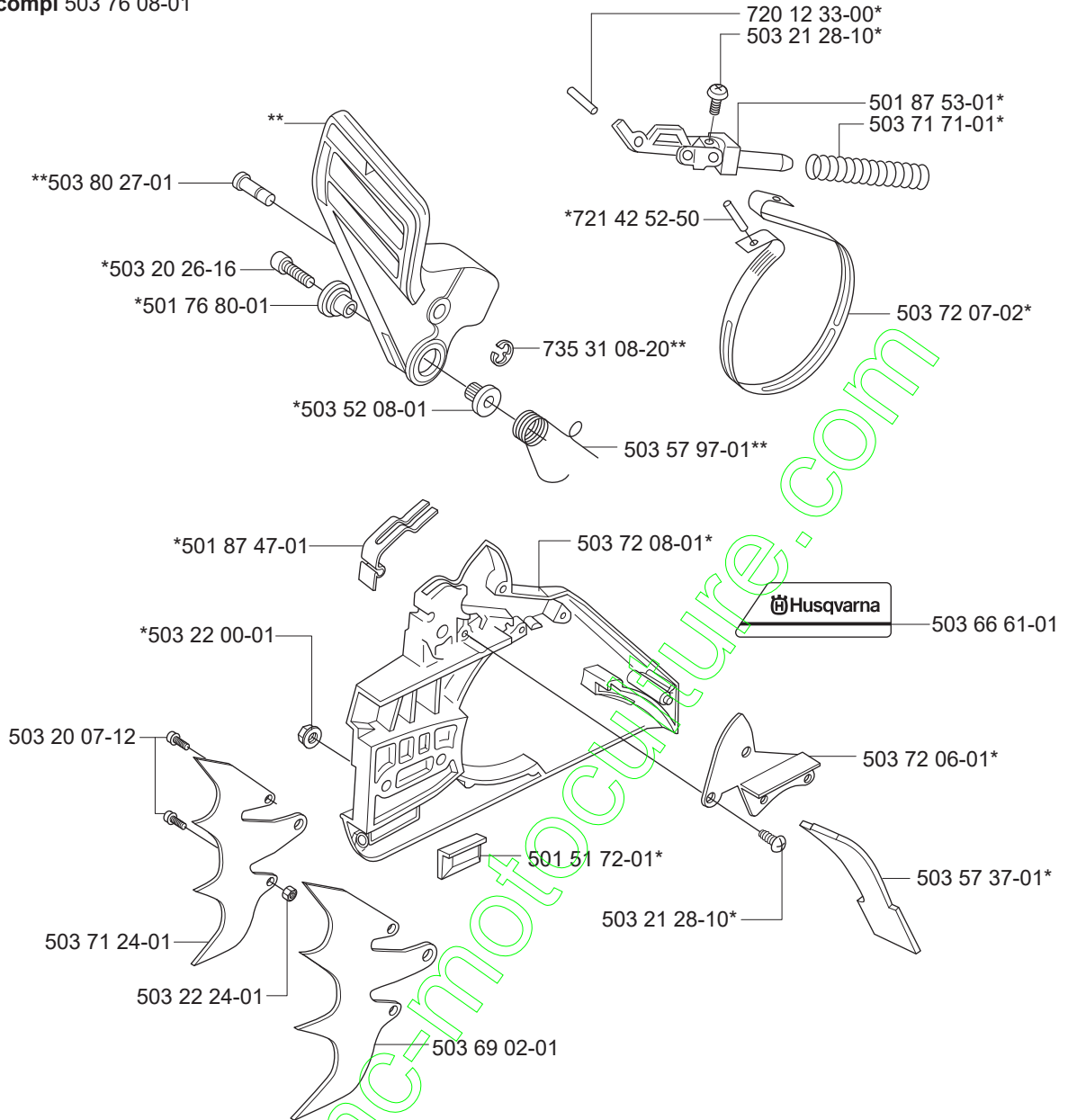
Ersätter

544 10 63-01

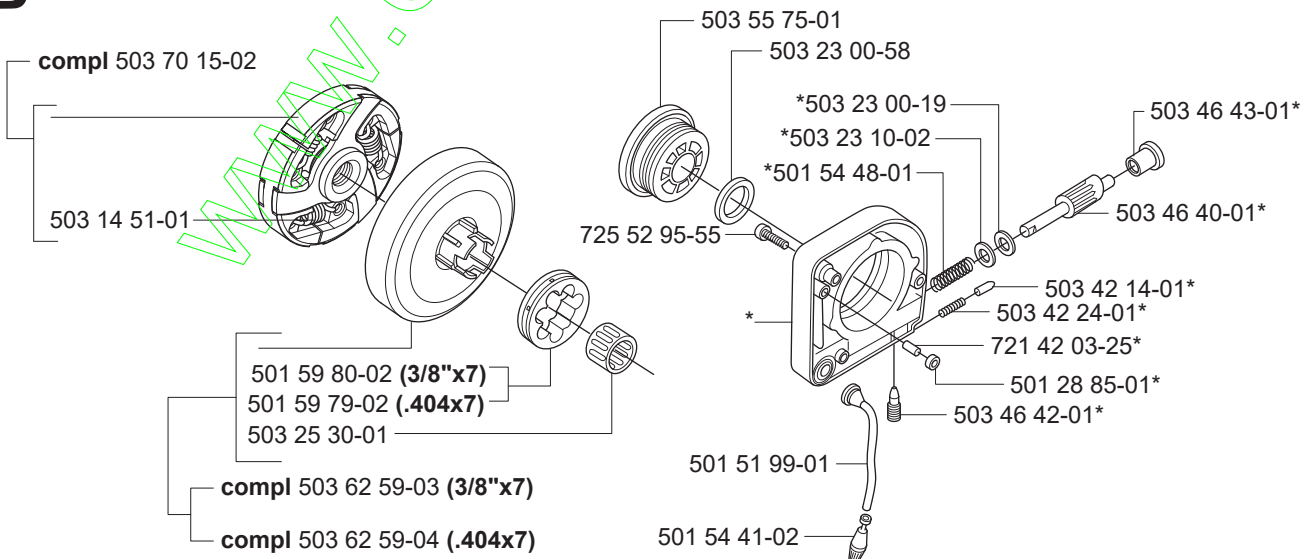
www.emc-motoculture.com

A

*compl 503 73 15-06
 **compl 503 76 08-01

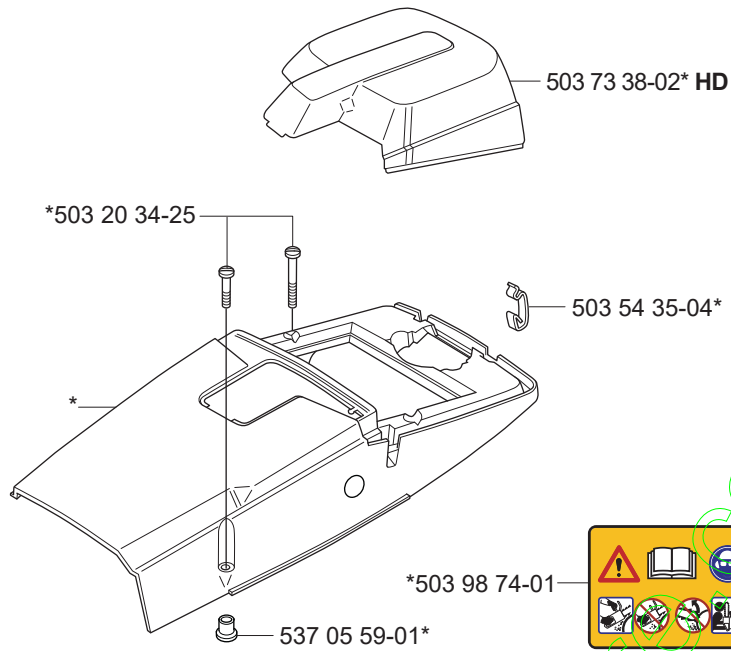
**B**

*compl 503 46 37-02

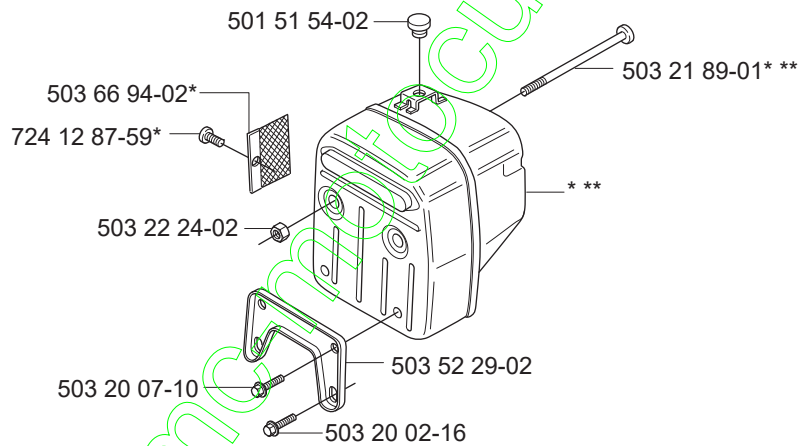
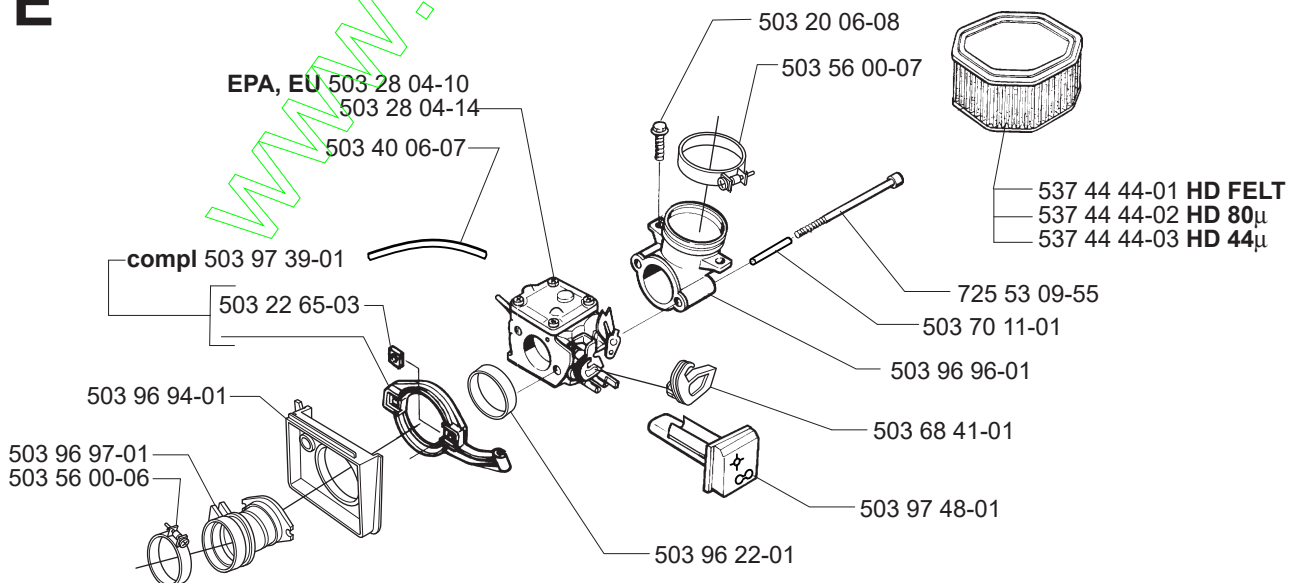


C

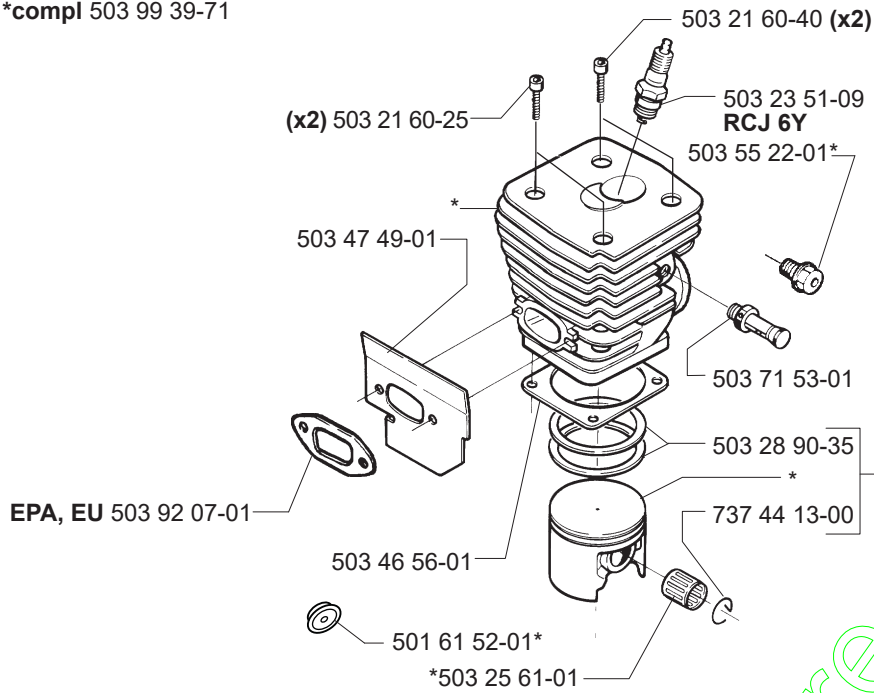
*compl 503 52 64-09 HD

**D**

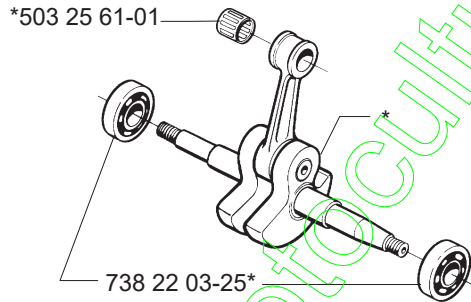
*compl 503 71 13-07 (FF)
 **compl 503 71 13-04 (Europe)
 **compl 503 71 13-05 (DJ)

**E**

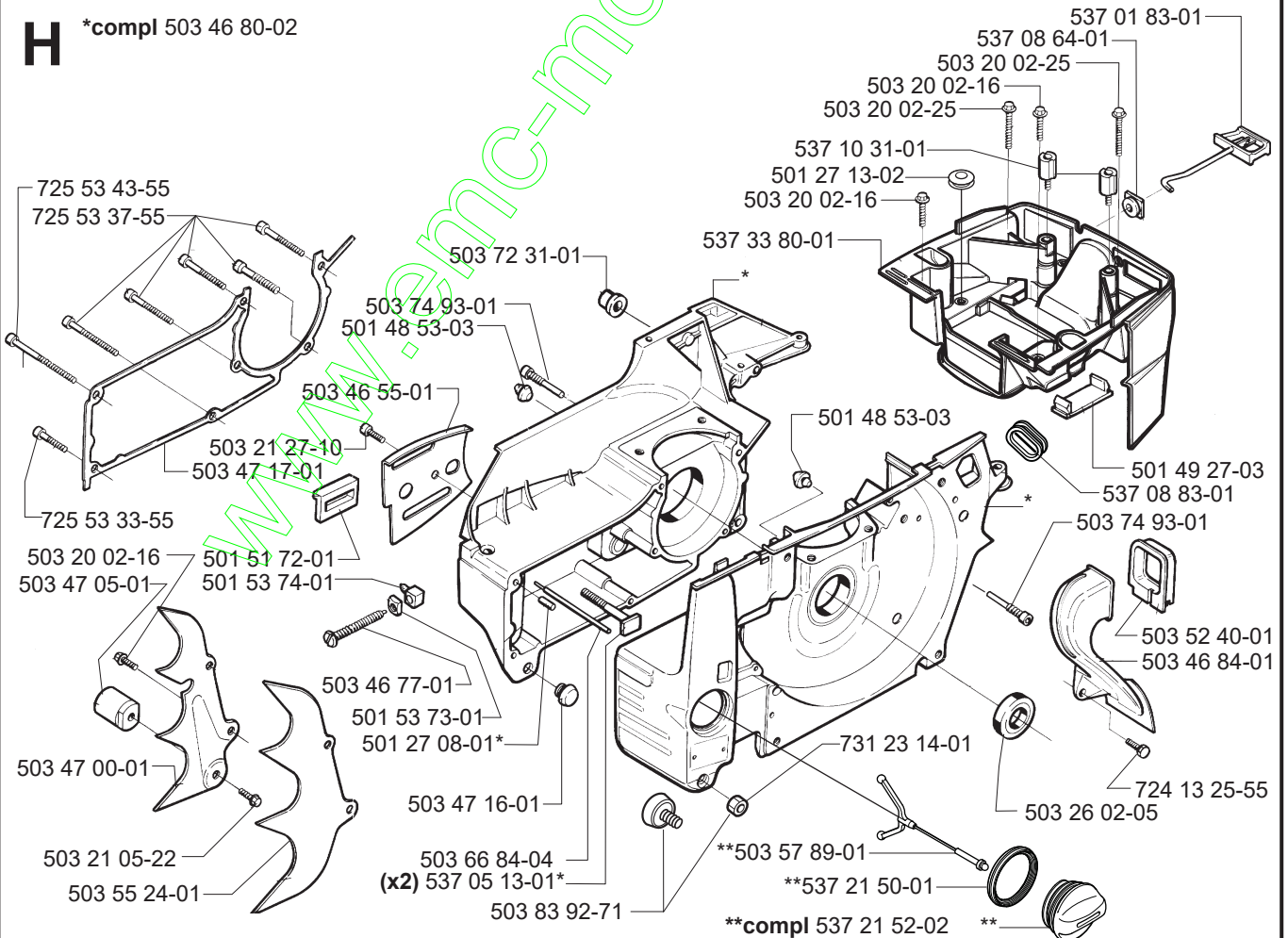
F *compl 503 99 39-71



G *compl 537 09 05-71

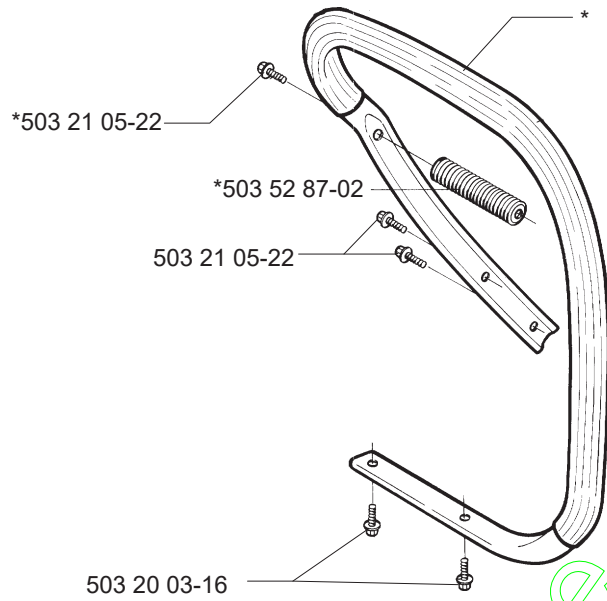


H *compl 503 46 80-02



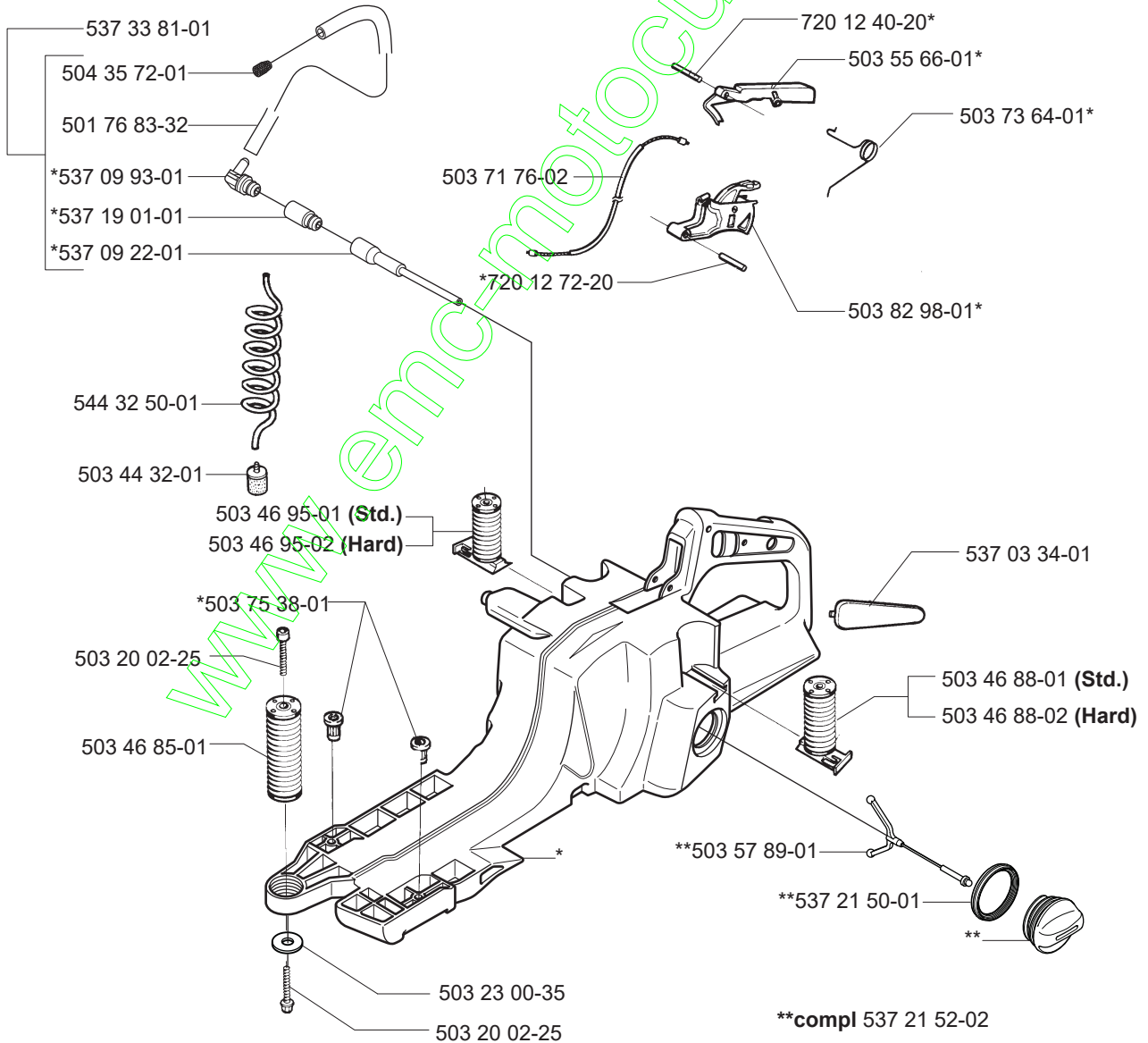
J

*compl 503 46 35-71



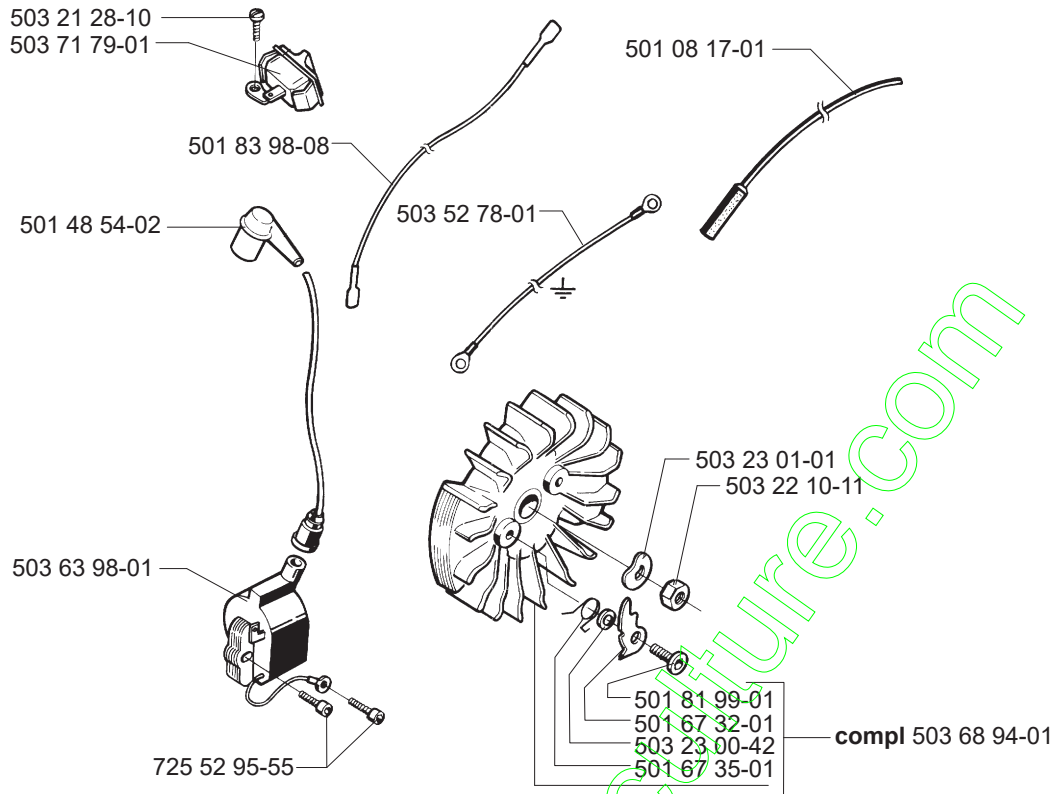
K

*compl 503 47 34-02



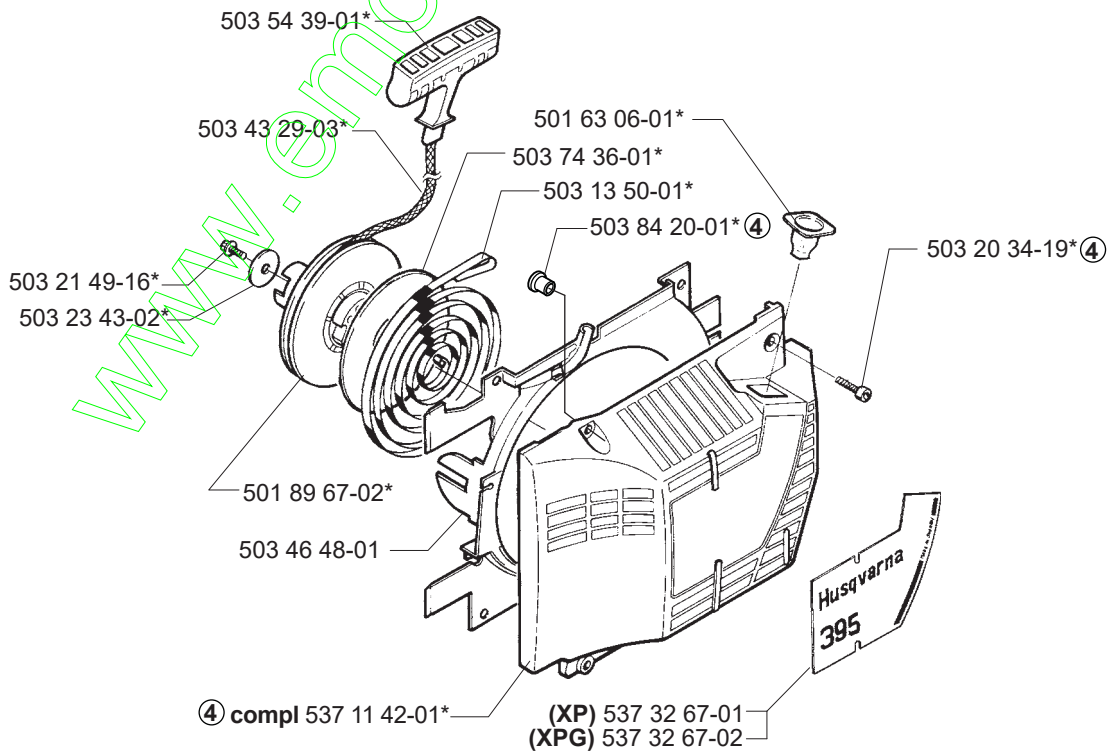
**compl 537 21 52-02

L

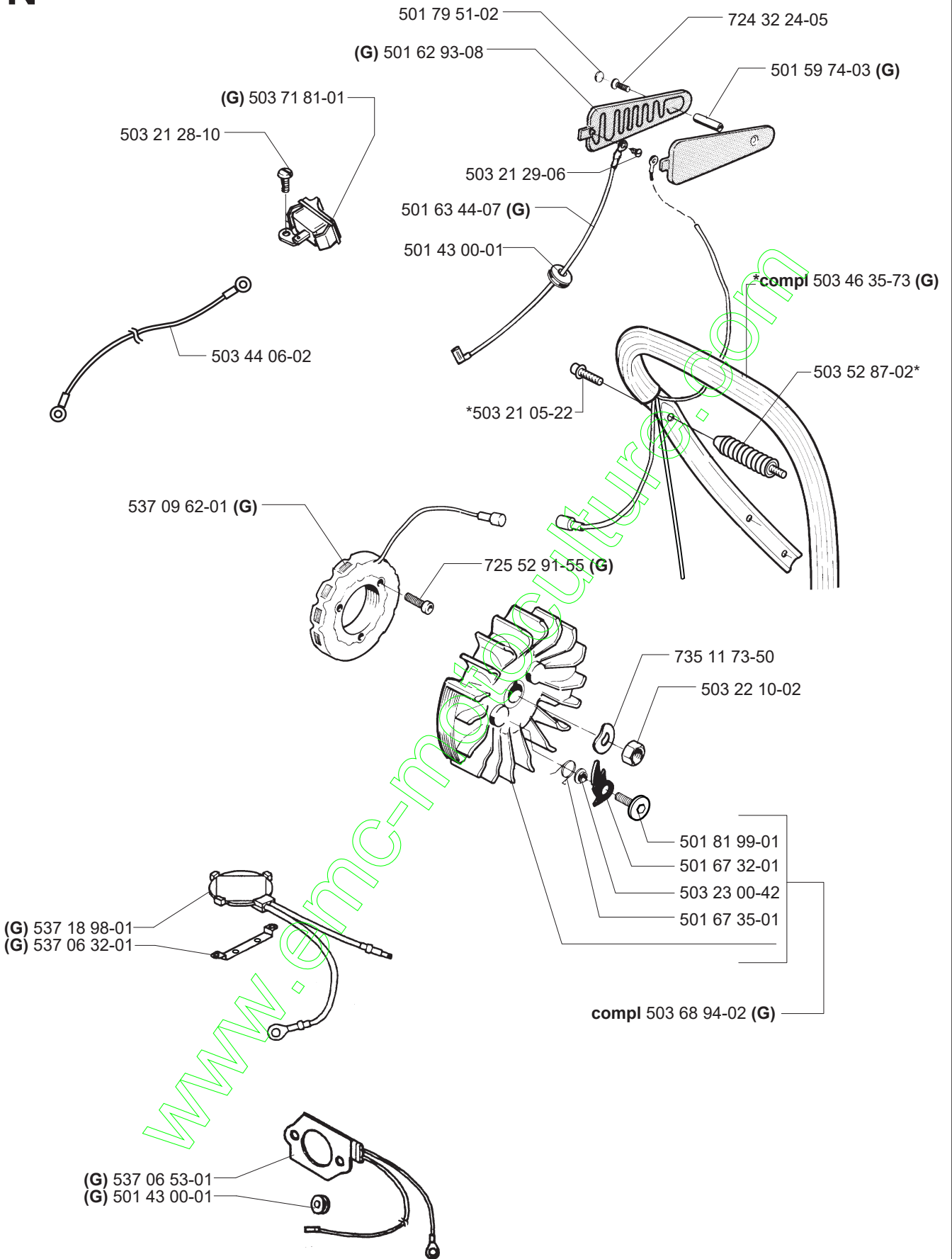


M

*compl 503 46 24-02

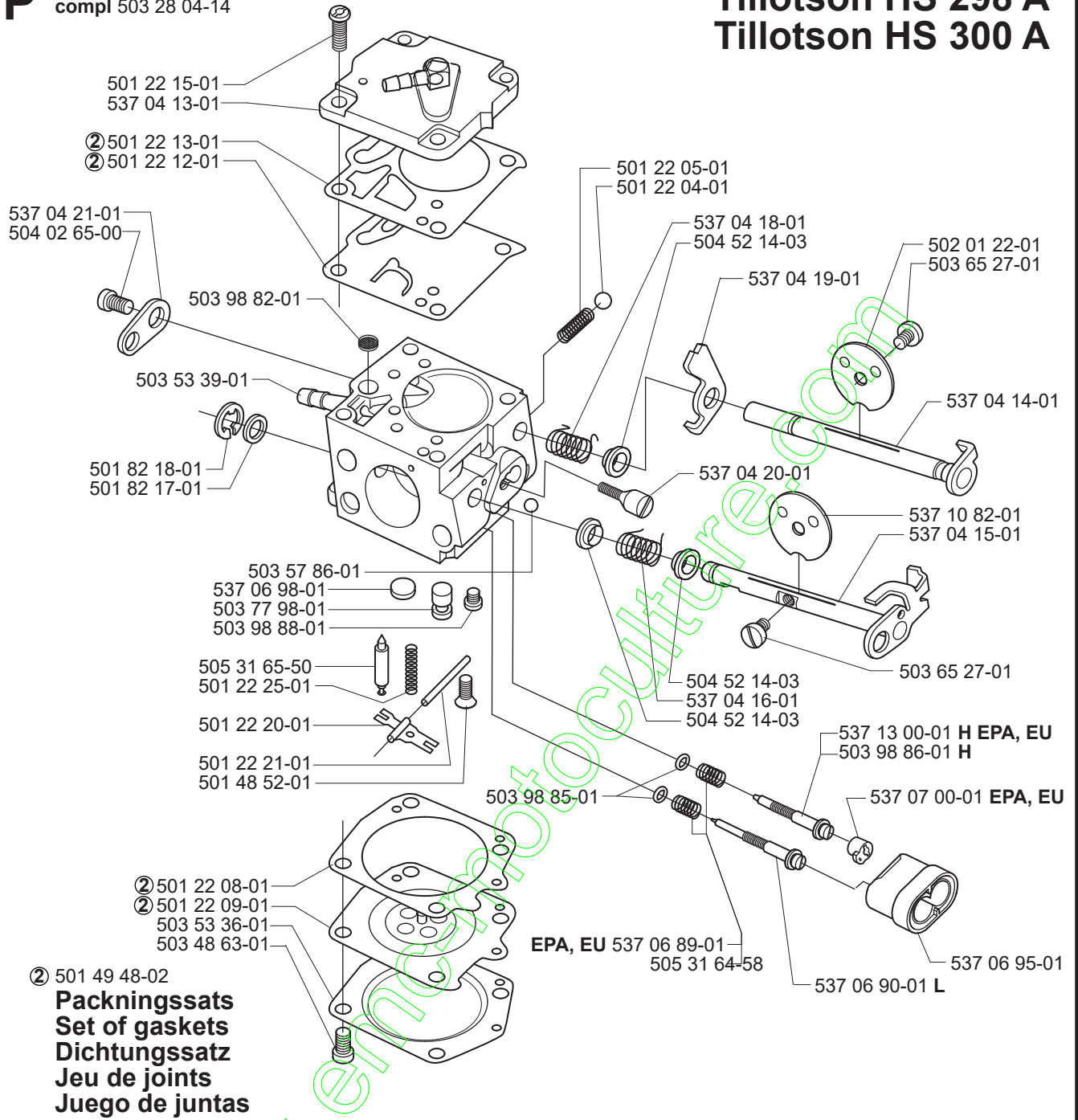


N

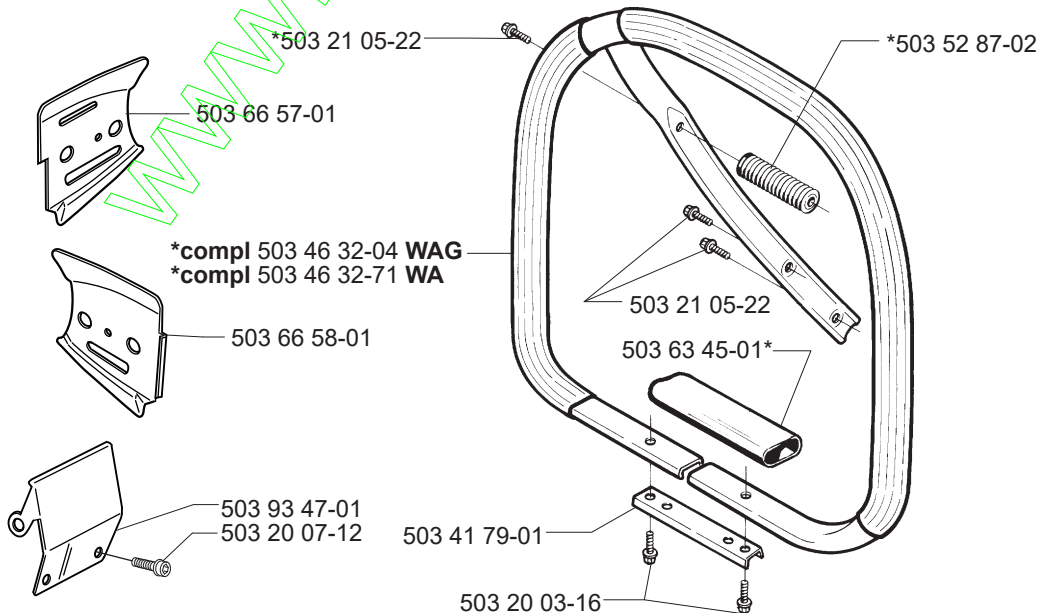


P compl 503 28 04-10 EPA, EU
 compl 503 28 04-14

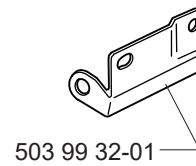
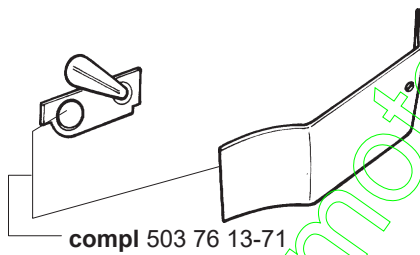
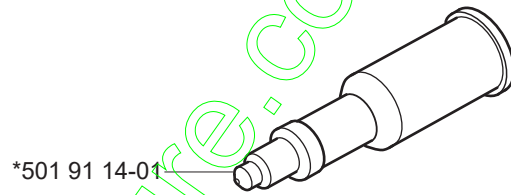
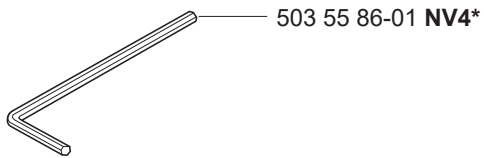
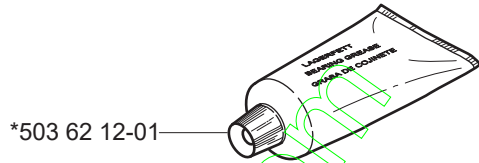
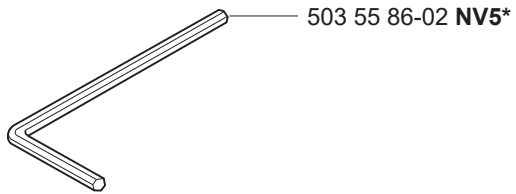
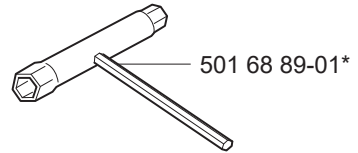
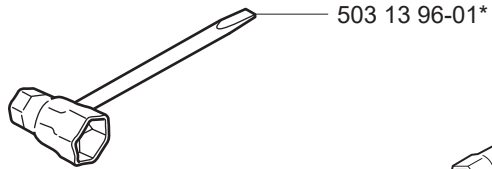
Tillotson HS 298 A Tillotson HS 300 A



Q



R Tillbehör
Accessories
Zubehöre
Accessoires
Accesorios
*compl 503 55 85-02



www.emc-motoculture.com