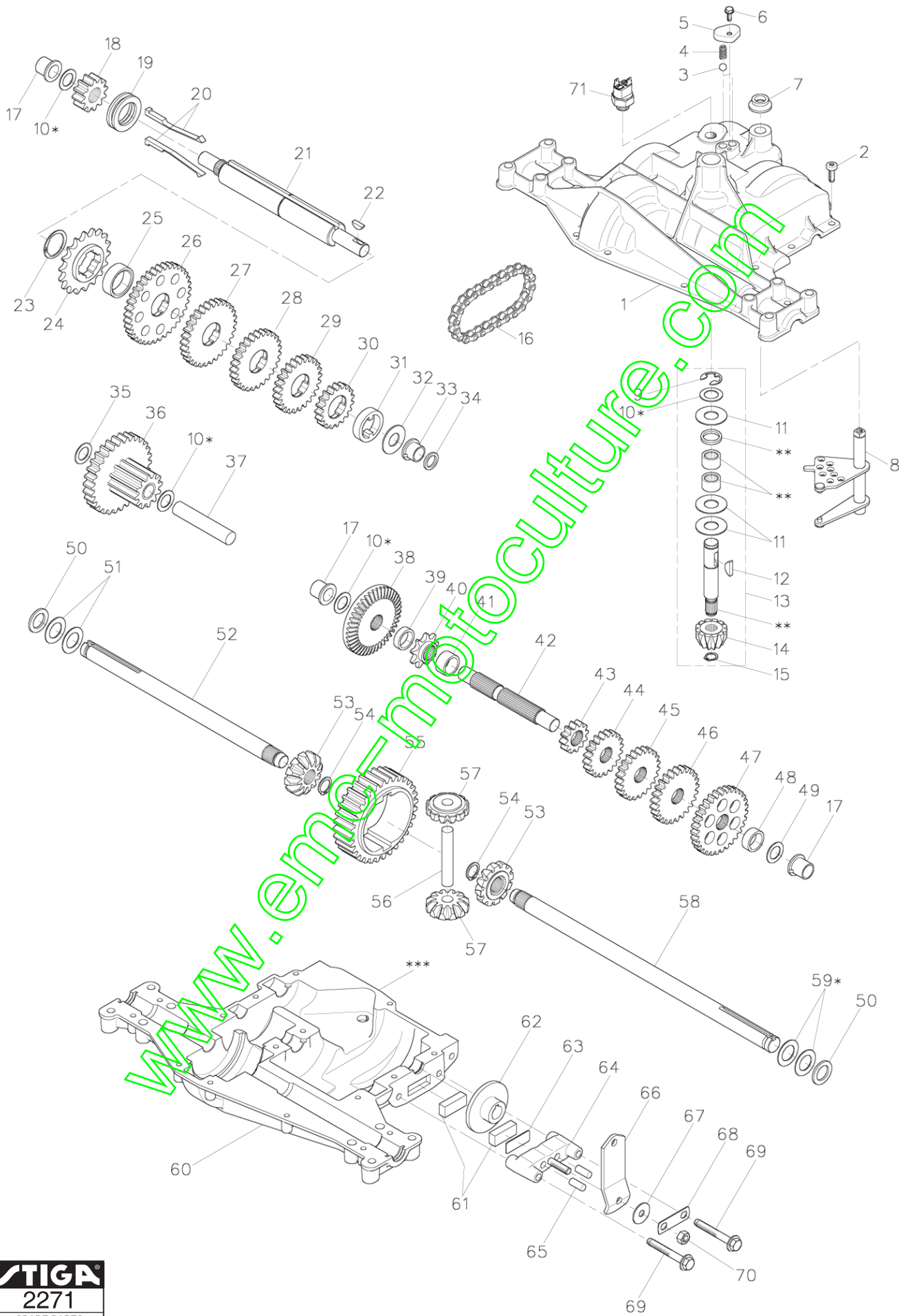


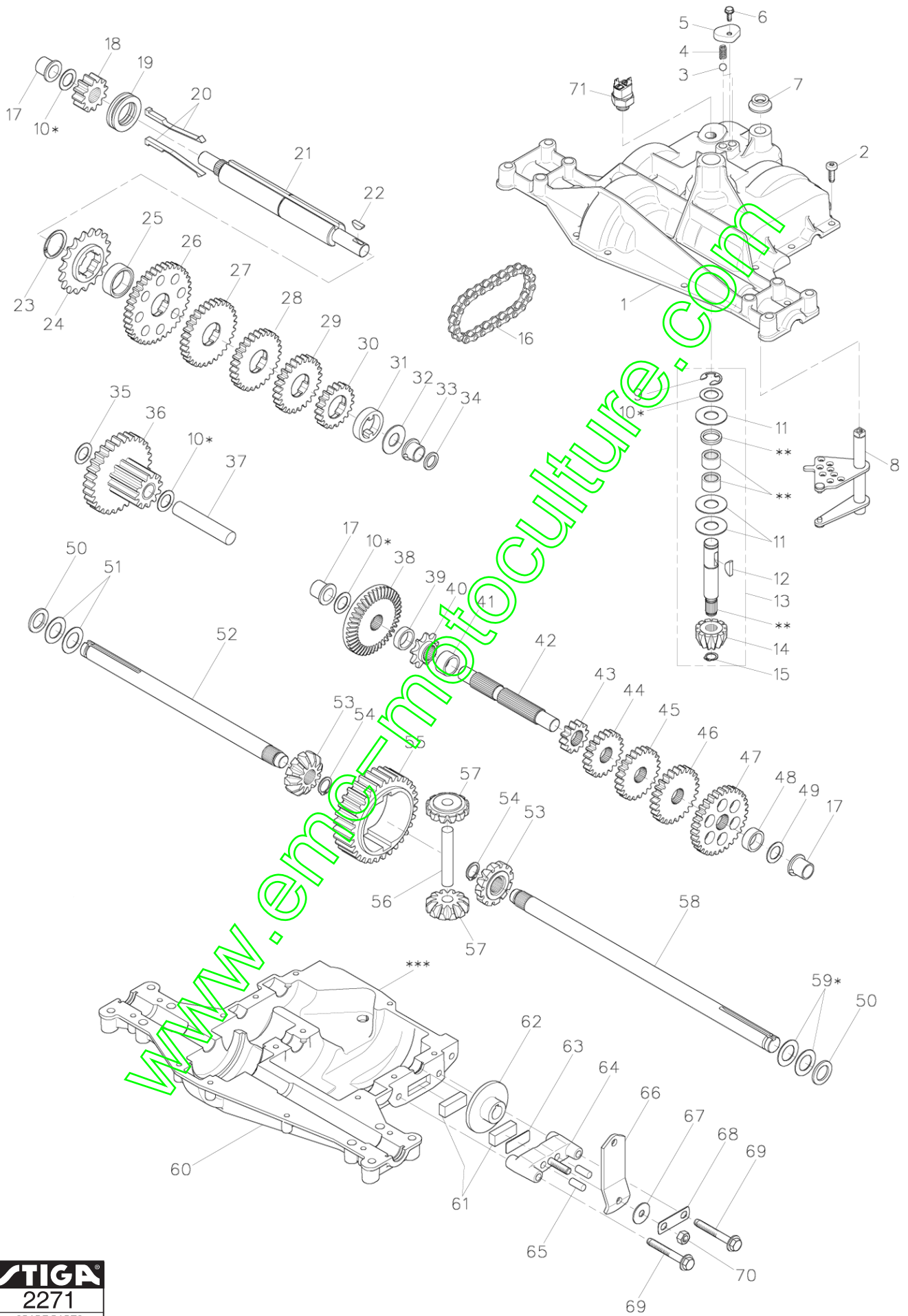
Genuine Spare Parts



www.emc-motoculture.com



Utgåva Issue		Bildnr Picture No		DANA TRANSAXEL 4360- 211		DANA TRANSAXLE 4360- 211		Sida Page	
2008- 13		2271						214	
Pos. Fig.	Antal/Quantity				Art nr Part No	Benämning	Description	Sats Kit	Anmärkning Notes
	4360 -211								
0	1			18400912/0	Transaxel kpl.....	Transaxle assy.....		4360- 211	
1	1			F000- 5962- AC	Hus, övre	Housing, upper			
2	16			F000- 1919- 00	Skruv	Screw			
3	2			F000- 5947- 00	Kula	Ball			
4	2			F000- 5948- 00	Fjäder.....	Spring			
5	1			F000- 5950- 00	Lock.....	Cover			
6	1			F084- 0052- 00	Skruv	Screw			
7	1			F000- 7010- 00	Hylsa	V- ring			
8	1			F000- 6517- 00	Växelförare	Shifter kit			
9	1			F000- 1106- 00	• Låsring	• Retaining ring			
10	4			F000- 4689- 00	• Sats- shims.....	• Kit- shim			
11	3			F000- 3876- 00	• Bricka	• Washer			
12	1			F000- 1746- 00	• Kil	• Key			
13	1			F000- 6595- 00	Ingående axel kpl.....	Input shaft assy			
14	1			F000- 5620- 00	• Drev	• Bevel pinion		12T	
15	1			F000- 3624- 00	• Låsring	• Retaining ring			
16	1			F000- 3625- 00	Kedja	Chain		24 link	
17	3			F000- 5510- 00	Flänslager	Flange bearing.....			
18	1			F000- 5627- 00	Drev	Gear		12T	
19	1			F000- 5303- 00	Hylsa	Shifter boot			
20	1			F000- 4758- 00	Sats- kilar	Kit- clutch keys			
21	1			F000- 5737- 00	Mellanaxel	Intermediate shaft			
22	1			F000- 1375- 00	Woodruffkil	Woodruff key			
23	1			F000- 3627- 00	Låsring	Retaining ring			
24	1			F000- 3830- 00	Kedjehjul.....	Sprocket.....		18T	
25	1			F000- 3841- 00	Distans	Spacer.....			
26	1			F000- 5365- 00	Drev	Gear, spur		37T	
27	1			F000- 3867- 00	Drev	Gear, spur		30T	
28	1			F000- 5014- 00	Drev	Gear, spur		27T	
29	1			F000- 3783- 00	Drev	Gear, spur		25T	
30	1			F000- 5202- 00	Drev	Gear, spur		19T	
31	1			F000- 5027- 00	Distans	Spacer.....			
32	1			F000- 3628- 00	Bricka	Washer.....			
33	1			F000- 5511- 00	Flänslager	Flange bearing.....			
34	1			F000- 5508- 00	Tätningssring	Oil seal			
35	1			F000- 1425- 00	Bricka	Washer.....			
36	1			F000- 6358- 00	Drev	Gear comb.		12T/30T	
37	1			F000- 3967- 00	Axel	Idler shaft.....			
38	1			F000- 7003- 00	Drev	Bevel gear		36T	
39	1			F000- 3630- 00	Distans	Spacer.....			
40	1			F000- 3645- 00	Kedjehjul.....	Sprocket.....		9T	
41	1			F000- 5016- 00	Distans	Spacer.....			
42	1			F000- 5015- 00	Axel	Drive shaft.....			
43	1			F000- 5364- 00	Drev	Gear, spur		12T	
44	1			F000- 3866- 00	Drev	Gear, spur		20T	
45	1			F000- 5013- 00	Drev	Gear, spur		23T	
46	1			F000- 3719- 00	Drev	Gear, spur		25T	
47	1			F000- 3683- 00	Drev	Gear, spur		31T	
48	1			F000- 3714- 00	Distans	Spacer.....			
49	1			F000- 1145- 00	Bricka	Washer.....			
50	2			F000- 5130- 00	Tätning	Seal			
51	2			F000- 3184- 00	Bricka	Washer.....			
52	1			F000- 7070- 10	Hjulaxel- vä	Wheel axle- LH			
53	2			F000- 5622- 00	Drev	Miter gear		12T	
54	2			F000- 5270- 00	Låsring	Retaining ring			
55	1			F000- 3839- 00	Drev	Gear, spur		32T	
56	1			F000- 3919- 00	Axel	Cross shaft.....			
57	2			F000- 5623- 00	Drev	Miter gear		12T	
58	1			F000- 7070- 20	Hjulaxel- hö	Wheel axle- RH.....			
59	1			F000- 4691- 00	Sats- shims.....	Kit- shim.....			
60	1			F000- 5304- R0	Hus, nedre	Housing, lower			
61	2			F000- 3907- 00	Friktionsbelägg	Friction puck			
62	1			F000- 5960- 00	Bromsskiva.....	Brake disc			



Utgåva Issue		Bildnr Picture No		DANA TRANSAXEL 4360- 211		DANA TRANSAXLE 4360- 211		Sida Page 216	
Pos. Fig.	Antal/Quantity				Art nr Part No	Benämning	Description	Sats Kit	Anmärkning Notes
	4360 -211								
63	1				F000-3758-00	Distans	Spacer.....		Ej ill/nicht ill.
64	1				F000-5554-00	Bromshållare	Brake jaw		
65	2				F000-3843-00	Pinne	Dowel pin.....		
66	1				F000-7026-00	Arm	Lever		
67	1				F000-3760-00	Bricka	Washer.....		
68	1				F000-5555-00	Bricka	Bracket.....		
69	2				F000-5562-00	Skruv	Screw.....		
70	1				F000-3847-00	Låsmutter	Lock nut.....		
71	1				F000-7034-00	Brytare.....	Switch.....		
72	1				F000-4300-00	Smörjfett	Grease.....		

www.emc-motoculture.com