



REPAIR PARTS MANUAL
MODEL NO. 259490
Lawn Tractor

CRAFTSMAN®

HOW TO USE THIS MANUAL

This manual is designed to provide the customer with a means to identify the parts on his/her tractor when ordering repair parts. The illustrations may or may not represent the actual assemblies; therefore, it is recommended to use this manual as a guide to assemble or disassemble the tractor. Some hardware and parts are drawn larger in order to more readily identify them.

Each tractor has its own model number.

The model number for your tractor can be found on the fender under the seat.

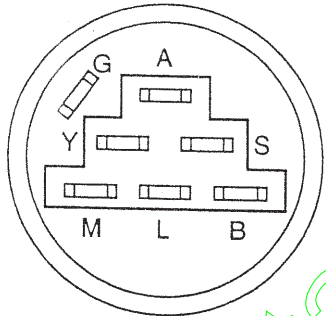
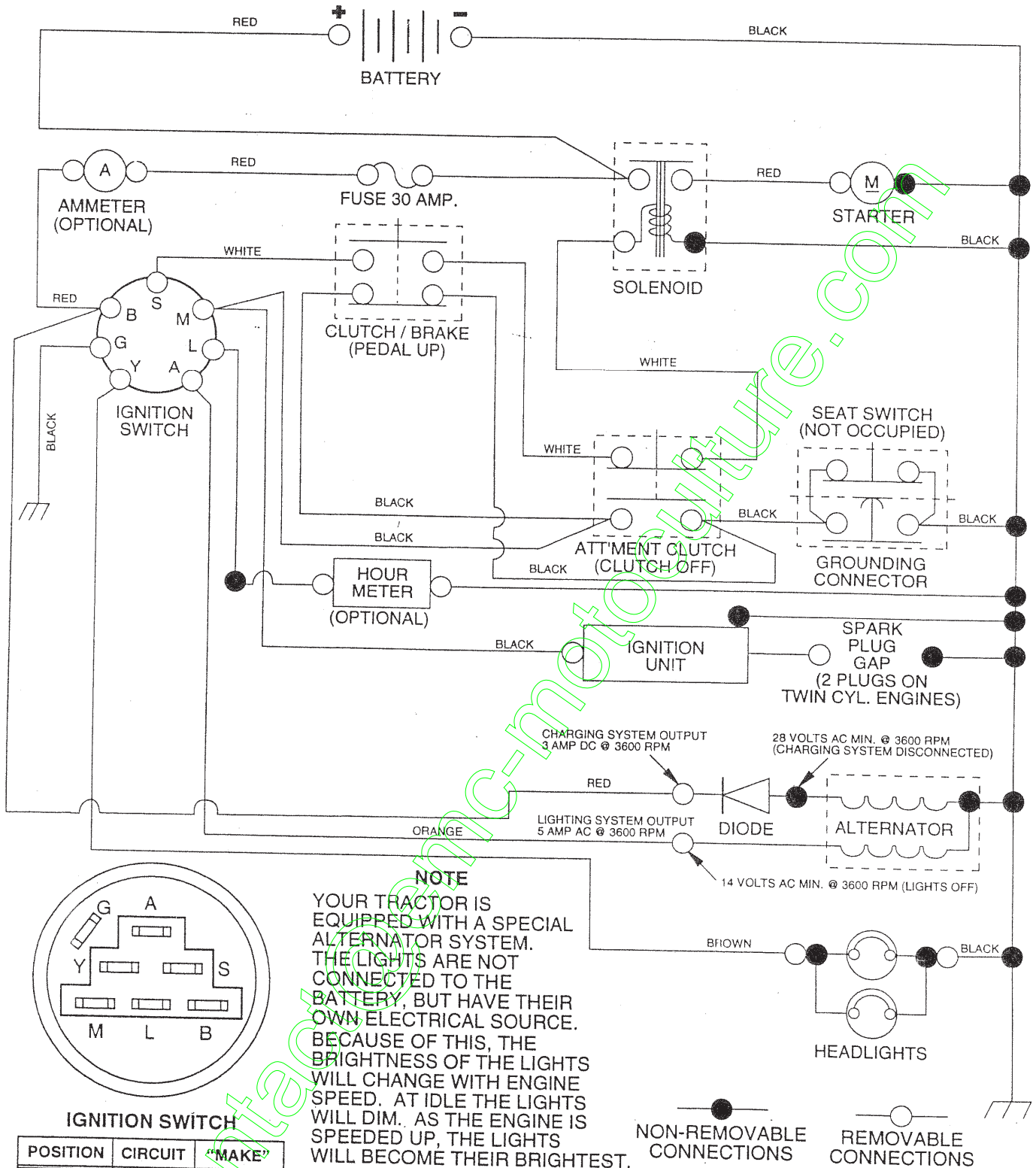
When ordering parts, always give the following information:

- Product - "Tractor"
- Model Number - "259490"
- Part Number
- Part Description

TABLE OF CONTENTS

CHEMATIC	3
ELECTRICAL	4-5
CHASSIS	6-7
DRIVE	8-9
STEERING WHEEL	10-11
SEAT	12
DECALS	13
ENGINE	14-15
MOWER LIFT LEVER	16-17
MOWER DECK	18-19
TRANSAXLE	20-21

SCHEMATIC



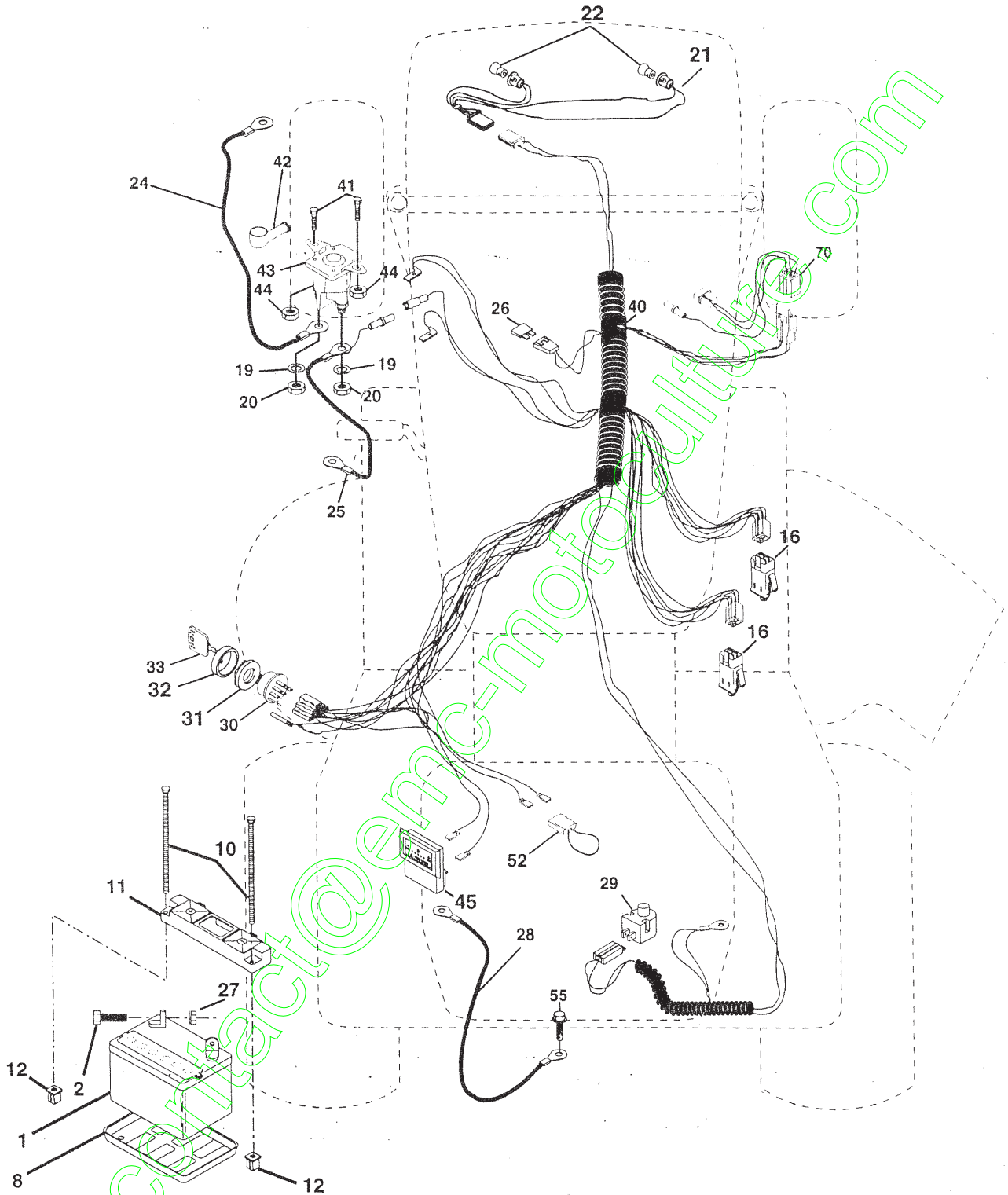
IGNITION SWITCH

POSITION	CIRCUIT	"MAKE"
OFF	G + M + L	NONE
RUN/LIGHT	B + L	A + Y
RUN	B + L	NONE
START	B + L + S	NONE

REPAIR PARTS

TRACTOR - - MODEL NUMBER 917.259490

ELECTRICAL



REPAIR PARTS

TRACTOR - - MODEL NUMBER 917.259490

ELECTRICAL

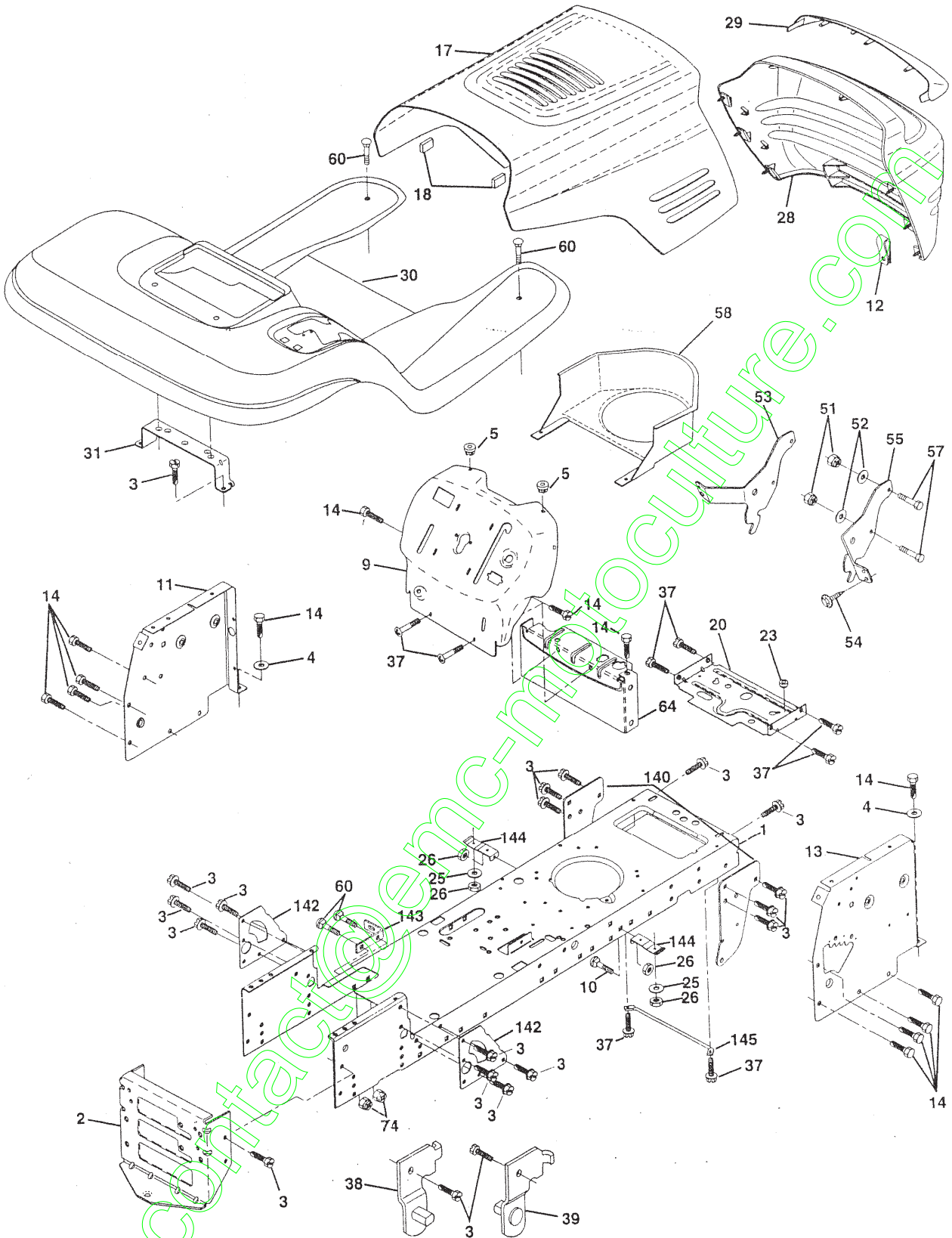
KEY NO.	PART NO.	DESCRIPTION
1	163465	Battery
2	74760412	Bolt, Hex Head 1/4-20 x 3/4
8	7603J	Tray, Battery
10	145211	Bolt, btr, Frt 1/4-20 x 7.5 Zinc
11	150109	Hold down Battery Front Mount
12	145769	Nut, Push, Nylon 1/4"
16	153664	Switch, Interlock Push-In
19	STD551125	Washer, Lock 1/4
20	73350400	Nut, Hex, Jam 1/4-20
21	166182	Harness, Light Socket (w/4152J)
22	4152J	Bulb, Light
24	4799J	Cable, Battery
25	146148	Cable, Battery
26	166180	Fuse
27	73510400	Nut Keps Hex 1/4-20 Unc
28	145491	Cable, Ground
29	121305X	Switch, Seat
30	140301	Switch, Ignition 4 Position
31	124211X	Nut, Ignition
32	141226	Cover, Ignition Switch
33	109310X	Key, Molded, Craftsman
40	166145	Harness, Ignition
42	131563	Cover, Terminal
43	145673	Solenoid
44	73640400	Nut, Keps Blk Hex 1/4-20 Unc
45	121422X	Ammeter Rectangular 6 Amp
52	141940	Protection Wire Loop (Hour Meter)
55	17490508	Screw Thdrol 5/16-18 x 1/2
70	166658	Harness Engine

NOTE: All component dimensions given in U.S. inches
1 inch = 25.4 mm

REPAIR PARTS

TRACTOR - - MODEL NUMBER 917.259490

HASSIS AND ENCLOSURES



REPAIR PARTS

TRACTOR - - MODEL NUMBER 917.259490

CHASSIS AND ENCLOSURES

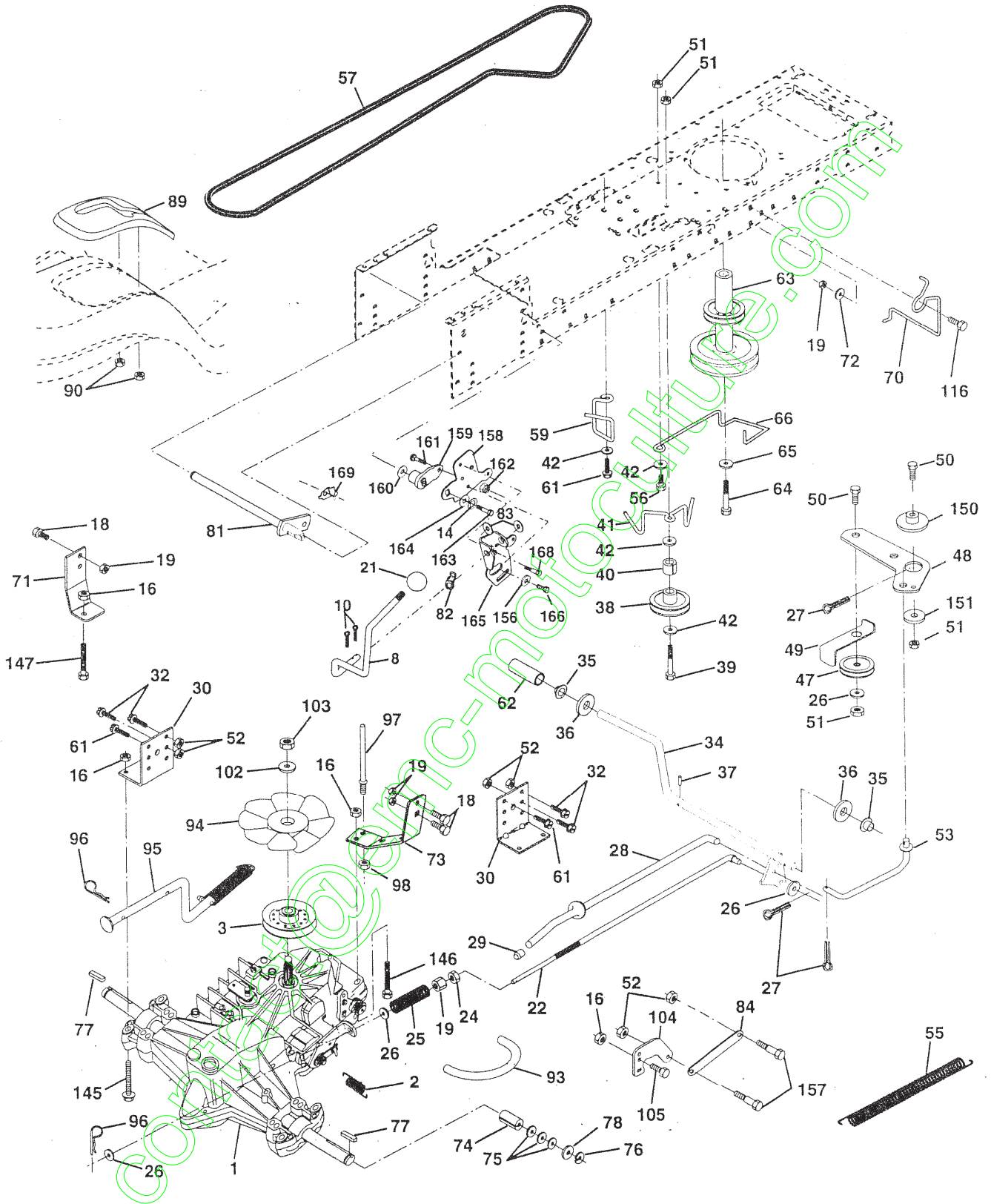
KEY NO.	PART NO.	DESCRIPTION
1	165583	Chassis
2	140356	Drawbar
3	17490612	Screw, Thd., Roll. 3/8-16 x 3/4 Type TT
4	STD551025	Washer 13/32 x 3/4 x 16 Ga
5	155272	Bumper Hood/Dash
9	161917X012	Dash, Silkscreened
10	STD533710	Bolt, Carriage 3/8-16 x 1
11	155927	Panel, Dash, L.H.
12	145660	Clip, Tinnerman Grille P/L
13	155934X010	Panel, Dash, R.H.
14	17490608	Screw, Thd., Roll. 3/8-16 x 1/2 Type TT
17	144983X558	Hood Assembly
18	126938X	Bumper Hood
20	156437	Plate Mtg Battery Fuel Tank
23	124028X	Bushing, Snap, Nylon, Fuel Line
25	19131312	Washer 13/32 x 13/16 x 12 Gauge
26	STD541437	Locknut, Hex, with Insert 3/8-16 UNC
28	145198X558	Grille, W/Clips MS-558
29	155217X599	Lens, Grille
30	151287X558	Fender/Footrest
31	139976	Bracket Fender/Support
37	17490508	Screw, Thdrol, 5/16-18 x 1/2 TYT
38	139886	Pivot Bracket Assembly, LH, Mower, Rear
39	139887	Pivot Bracket Assembly, RH, Mower, Rear
51	73800400	Nut Lock W/Insert 1/4-20 Unc
52	19091416	Washer 9/32 x 7/8 x 16 Ga.
53	145201	Bracket Grille Pickoff RH
54	161464	Screw Hex Wshd 8-18 x 7/8
55	145202	Bracket Grille Pickoff RH
57	STD552507	Bolt Fin Hex 1/4-20 Unc x .75
58	140547	Air Duct P/L 18HP B&S Opp. Twin
60	72140606	Bolt Rdhd Sqnk 3/8-16 UNC x 3/4
64	154798	Dash Lower STLT
74	STD541437	Nut Crownlock 3/8-16 UNC
140	158418	Bracket Suspension Front
142	165867	Plate Reinforcement STLT
143	154966	Bracket Swaybar Chassis
144	154207	Bracket Footrest STLT
145	156524	Rod Pivot Chassis/Hood
--	5479J	Plug Btn Blk .359 Dia Ch/Inf

NOTE: All component dimensions given in U.S. inches
1 inch = 25.4 mm

REPAIR PARTS

TRACTOR -- MODEL NUMBER 917.259490

DRIVE



REPAIR PARTS

TRACTOR - - MODEL NUMBER 917.259490

DRIVE

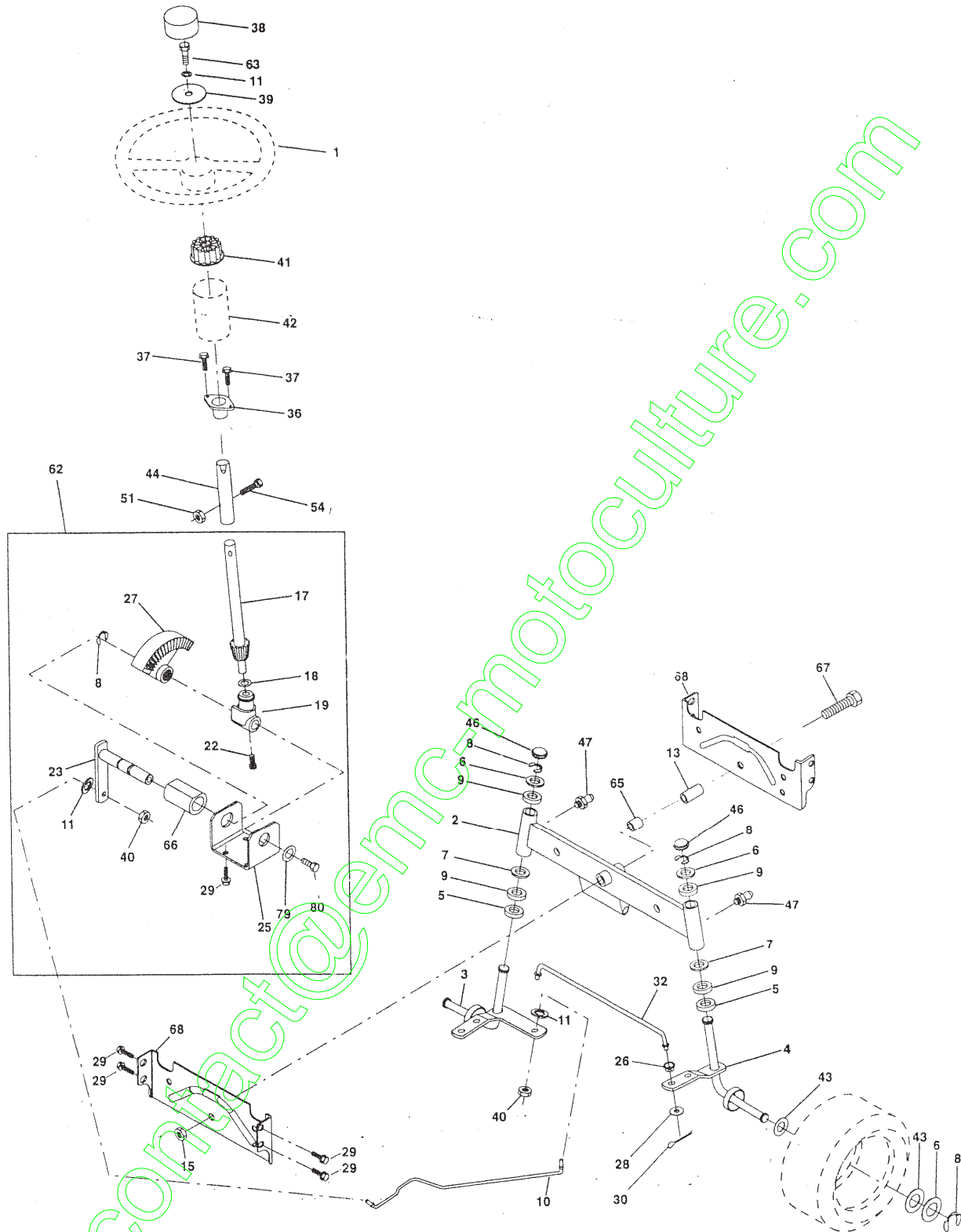
KEY PART NO. NO.	DESCRIPTION	KEY PART NO. NO.	DESCRIPTION
1 150071	Transaxle (See Breakdown) Hydro Gear Model 319-0650	70 134683	Guide Belt RH Engine
2 142431	Spring, Return, Brake	71 140158	Strap Torque Lh Hydro
3 143995	Pulley, Transaxle	72 19132012	Washer 13/32 x 1-1/4 x 12 Ga.
8 165866	Rod Shift Hydro LT	73 156347	Strap Torque Rh Hydro
10 STD561210	Pin Cotter 1/8 x 1 CAD	74 121199X	Spacer, Split
14 10040400	Washer Lock Hvy Helical 1/4	75 121749X	Washer 25/32 x 1-1/4 x 16 Gauge
16 STD541431	Nut Lock Hex W/Ins 5/16-18 Unc	76 STD581075X	E-Ring
18 STD523710	Bolt Fin Hex 3/8-16 Unc x 1 Gr. 5	77 123583X	Key, Square
19 STD541437	Nut Lock Hex W/Wsh 3/8-16 Unc	78 121748X	Washer 25/32 x 1-5/8 x 16 Gauge
21 130564	Knob, Deluxe 1/2-13	81 165591	Shaft Asm. Cross
22 145627	Rod, Brake Hydro	82 165711	Spring Torsion T/A
24 73350600	Nut, Hex Jam 3/8-16 Unc	83 19171216	Washer 17/32 x 3/4 x 16 Ga.
25 106888X	Spring, Brake Rod	84 165815	Link Transaxle
26 STD551037	Washer	89 164890X428	Console, Shift
27 STD561210	Pin Cotter 1/8 x 3/4 CAD.	90 124346X	Nut Self Thd Wsh-Hd 1/4 Zinc
28 145204	Rod, Parking Brake	93 142564	Line Fuel Hydro 4"
29 124236X	Cap, Parking Brake	94 140462	Fan, Hydro 7"
30 130807	Bracket, Transaxle	95 144643	Control Asm Bypass Hydro
32 74760512	Bolt Hex Hd 5/16-18 Unc x 3/4	96 4497H	Retainer Spring 1" Zinc/Cad
34 155071	Shaft, Foot Pedal	97 140469	Keeper Belt Rh Hydro 0750. 18/20"
35 120183X	Bearing, Nylon	98 73510600	Nut Keps Hex 3/8-16 Unc
36 19211616	Washer	102 141322	Washer Belleville .501D x 1.50D
37 1572H	Pin, Roll	103 73940800	Nut, H Jam Toplock 1/4-20 UNF
38 131494	Pulley, Idler, Flat	104 140156	Arm, Control Hydro
39 STD523727	Bolt	105 71070516	Screw Cap Hex 5/16 x 18 x 1
40 4470J	Spacer, Split	145 74490540	Bolt Hex Flghd 5/16-18 Gr.5
41 165838	Keeper, Belt Retainer	146 74490536	Bolt Hex Flghd 5/16-18 x 2-1/4
42 19131312	Washer 13/32 x 13/16 x 12 Gauge	147 74490524	Bolt Hex Flghd 5/16-18 x 1-1/2
43 19111012	Washer 11/32 x 5/8 x 12 Ga	150 165850	Bushing Bellcrank
47 127783	Pulley, Idler, V-Groove	151 19133210	Washer 13/32 x 2 x 10 Ga.
48 154407	Bellcrank Assembly	156 166002	Washer Srrtd 5/16ID x 1.0 x .125
49 123205X	Retainer, Belt	157 153236	Bolt Shoulder 5/16-18 Unc-2A
50 STD523715	Bolt	158 165589	Bracket Shift Mount
51 STD541437	Nut Crownlock 3/8-16 UNC	159 165494	Hub Tapered Flange Shift LT
52 STD541431	Nut Crownlock 5/16-18 UNC	160 19292016	Washer 29/32 x 1-1/4 x 16 Ga.
53 105710X	Link, Clutch	161 72140406	Bolt RdHd Sqnk 1/4-20 x 3/4 Gr. 5
55 105709X	Spring, Return, Clutch	162 73680400	Nut Crownlock 1/4-20 Unc
56 STD523712	Bolt Hex 3/8-16 x 1-1/4	163 74780416	Bolt Hex Fin 1/4-20 Unc x 1 Gr. 5
57 140294	V-Belt, Ground Drive	164 19091010	Washer 5/8 x .201 x 10 Ga.
59 140312	Keeper, Center Span	165 165623	Brkt Pivot Lever
61 17490612	Screw Thdrol. 3/8-16 x 3/4 Ty. TT	166 166880	Screw 5/16-18 x 5/8 TT Yellow
62 8883R	Cover, Pedal	168 165492	Bolt Shoulder 5/16-18 x .561 TT
63 140186	Pulley, Engine	169 165580	Plate Fastening
64 71170764	Bolt Hex 7/16-20 x 4 Gr. 5		
65 STD551143	Washer		
66 154778	Keeper Belt Engine		

NOTE: All component dimensions given in U.S. inches
1 inch = 25.4 mm

REPAIR PARTS

TRACTOR - - MODEL NUMBER 917.259490

STEERING ASSEMBLY



REPAIR PARTS

TRACTOR - - MODEL NUMBER 917.259490

STEERING ASSEMBLY

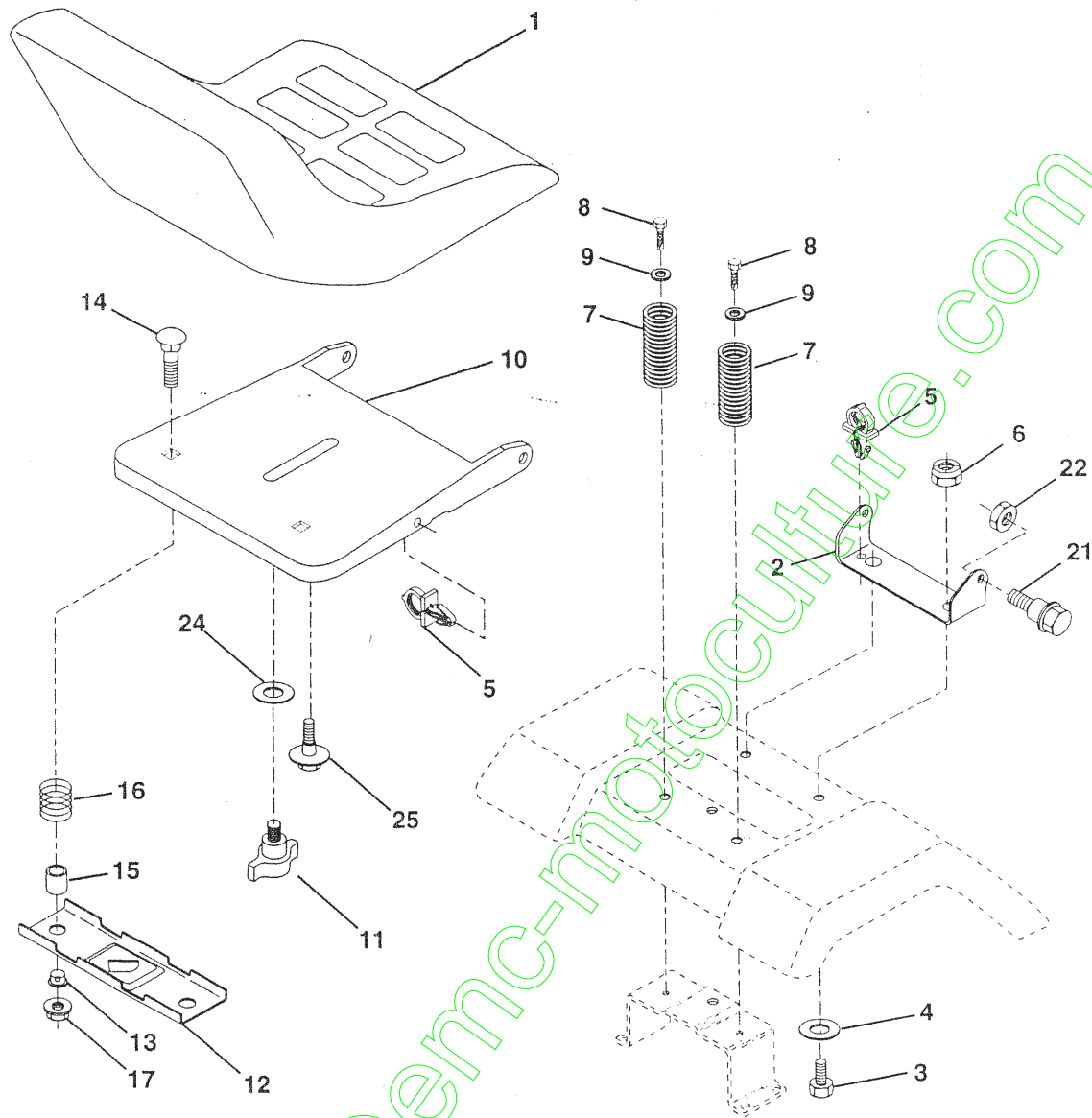
KEY PART NO.	NO.	DESCRIPTION
1	139768	Steering Wheel
2	154427	Axle Asm STMP Dropped STL
3	156483	Spindle Asm LH
4	157473	Spindle Asm RH
5	6266H	Bearing Race Thrust Harden
6	121748X	Washer 25/32 X 1-5/8 X 16 Ga
7	19272016	Washer 27/32 X 1-1/4 X 16 Ga
8	12000029	Ring Klip #t5304-75
9	3366R	Bearing Col Strg Blk
10	156438	Link Drag Extended Stamp
11	STD551137	Washer Lock Hvy Hlcl Spr 3/8
12	73940800	Nut Hex Jam Toplock 1/2-20 UNF
13	154779	Bearing Axle STL/GT
15	73901000	Nut Lock Flange 5/8-11 Unc
17	156546	Shaft Asm Strg
18	57079	Washer Thrust 515x 750x 033
19	160395	Support Shaft Steering
22	165857	Screw Hex WSHd Torx
23	165851	Shaft Asm Pittman
25	154406	Bracket Steering
26	126847X	Bushing Link Drag
27	136874	Gear Sector
28	19131416	Washer 13/32 x 7/8 x 16 Ga
29	17490612	Screw Thdrol 3/8-16x3/4 Ty-tt
30	STD561210	Pin
32	130465	Rod Tie
36	155099	Bushing Strg
37	152927	Screw
38	139769	Insert Strg Wh
39	19133808	Washer 13/32 x 2-3/8 x 8 Gauge
40	STD541537	Lock nut
41	100711L	Adaptor Wheel Strg
42	145054	Boot Steering Dash P/L Mtl Blk
43	121749X	Washer 25/32 X 1 1/4 X 16 Ga
44	153720	Extension Steering Non-Adjust
46	121232X	Cap Spindle Fr Top Blk
47	6855M	Fitting Grease
51	73800500	Nut Lock Hx W/Ins 5/16-18 UNC
54	74780520	Bolt Fin Hex 5/16-18 unc x 1-1/4
62	167902	Kit, Steering Assembly
63	74780616	Bolt Fin Hex 3/8-16 unc x 1Gr 5
65	154780	Spacer Axle
66	154404	Bearing Arm Pittman
67	74781044	Bolt, Fin Hex 5/8-11 UNC x 2-3/4
68	154429	Axle, Brace
72	19182411	Washer 9/16ID x 1-1/2OD 11 Ga. Zin
79	19132012	Washer 13/32 x 1-1/4 x 12 Ga.
80	74950612	Bolt Hex Nylon 3/8-16 x 3/4

NOTE: All component dimensions given in U.S. inches
1 inch = 25.4 mm

REPAIR PARTS

TRACTOR - - MODEL NUMBER 917.259490

SEAT ASSEMBLY



KEY NO.	PART NO.	DESCRIPTION
1	140122	Seat
2	140551	Bracket Pivot Seat 8 720
3	74760616	Bolt Fin Hex 3/8-16unc x 1
4	19131610	Washer 13/32 x 1 x 10 Ga
5	145006	Clip Push-In
6	STD541437	Nut Hex w/Ins. 3/8-16 Unc
7	124181X	Spring Seat Cprsn 2 250 Blk Zi
8	17490616	Screw Thdrol 3/8-16 x 1 Ty-tt
9	19131614	Washer 13/32 x 1 x 14 Ga.
10	155925	Pan Seat
11	166369	Knob Seat Adj Wingnut
12	121246X	Bracket Mounting Switch

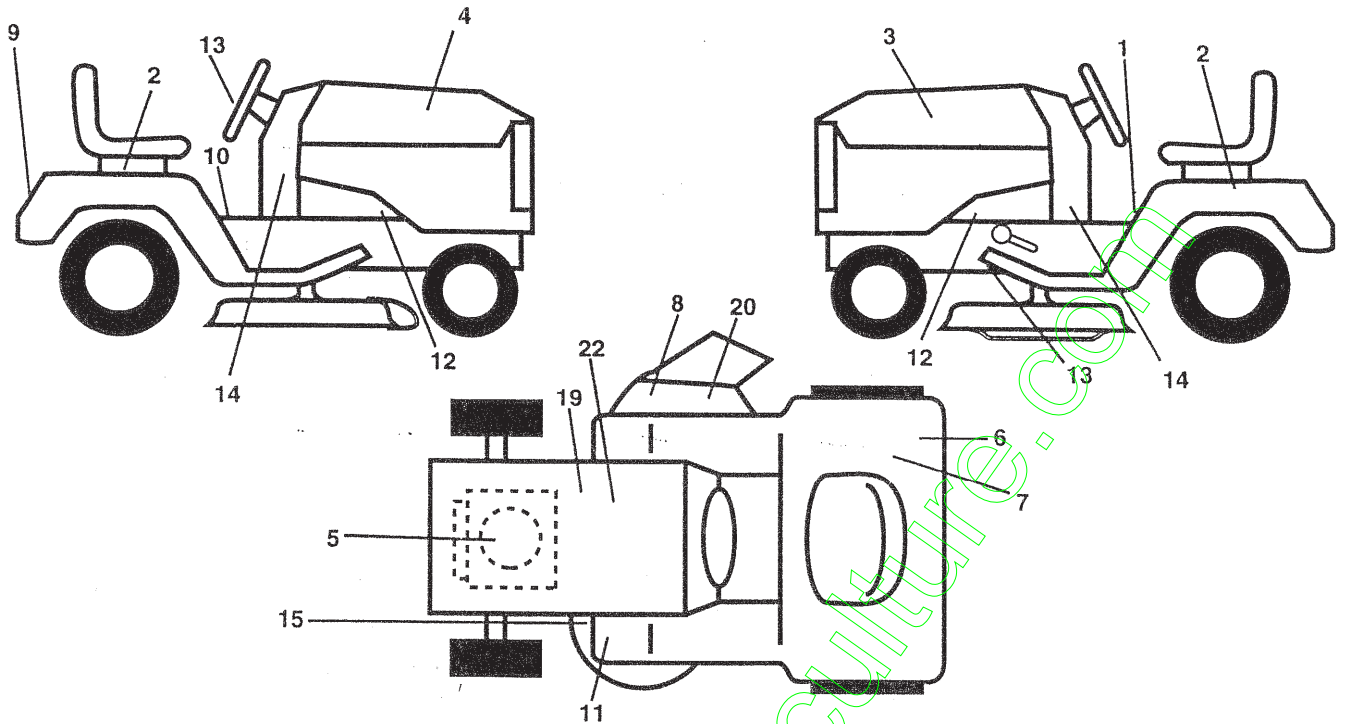
KEY NO.	PART NO.	DESCRIPTION
13	121248X	Bushing Snap Blk Nyl 50 Id
14	72050412	Bolt Rdhd Sqnk 1/4-20x1-1/2
15	134300	Spacer Split 28x 96 Yel Zinc
16	121250X	Spring Cprsn 1 27 Blk Pnt
17	123976X	Nut Lock 1/4 Lge Flg Gr 5 Zinc
21	153236	Bolt Shoulder 5/16-18 Unc
22	STD541431	Nut Hex Lock W/Ins 5/16-18
24	19171912	Washer 17/32 x 1-3/16 x 12 Ga.
25	127018X	Bolt Shoulder 5/16-18 x 62

NOTE: All component dimensions given in U.S. inches
1 inch = 25.4 mm

REPAIR PARTS

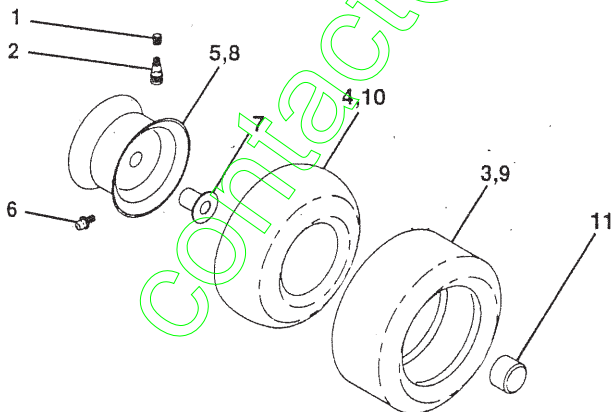
TRACTOR -- MODEL NUMBER 917.259490

DECALS



KEY NO.	PART NO.	DESCRIPTION	KEY NO.	PART NO.	DESCRIPTION
1	145498	Decal Read Owners Manual	15	160396	Decal V-Belt Schematic
2	163204	Decal Fender Logo	19	138047	Decal Batter Diehard
3	163200	Decal Hood RH	20	166887	Decal Deck Mower EZ
4	163202	Decal Hood LH	22	145005	Decal Battery Dngr/Psn Eng
5	165389	Decal HP Engine	--	138311	Decal Handle Lft Height Adjust
6	126187X	Decal Certification	--	142431	Decal Drawbar Cntrl Mvt Hyd Lt
7	145437	Decal Euro Stand CE	--	154515	Pad Footrest LH STLT
8	145494	Decal Cutfinger	--	154516	Pad Footrest RH STLT
9	163204	Decal Fender/Hood Logo	--	162598	Decal Drawbar Load Limit
10	140837	Decal Brake Parking	--	168629	Manual Operator's (Euro)
11	159737	Decal Brake/Clutch	--	168630	Manual Operator's (Scand)
12	159736	Decal Chassis Hot Muffler	--	168631	Manual Parts
13	146046	Decal V-Belt Drive Schematic			
14	166799	Decal Dash Pnl			

WHEELS & TIRES



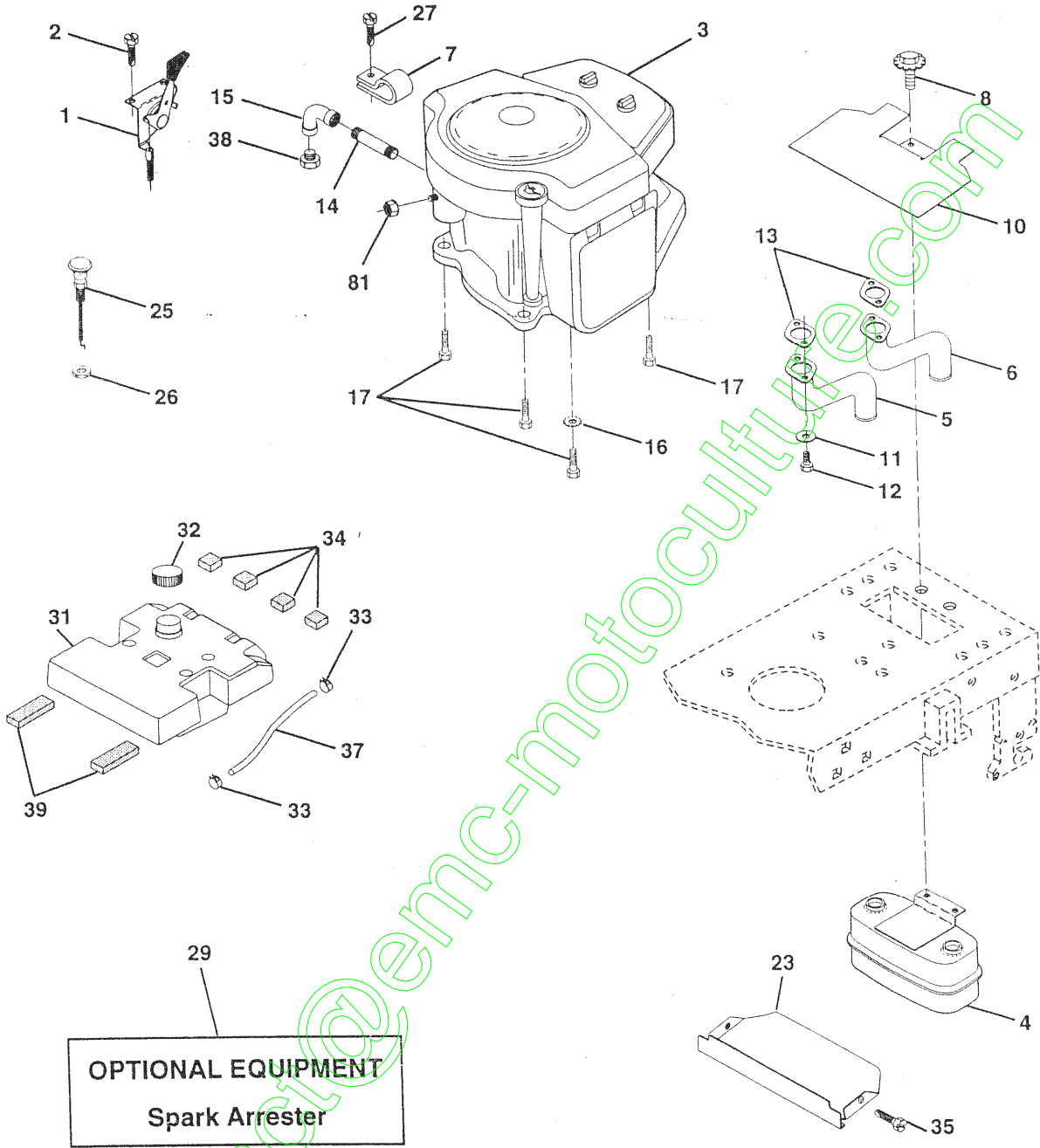
KEY NO.	PART NO.	DESCRIPTION
1	59192	Cap Valve Tire
2	65139	Stem Valve
3	106222X	Tire F Ts 15 X 6 0 - 6 Service
4	59904	Tube Front (Service Item Only)
5	106732X427	Rim Asm 6"front Service
6	278H	Fitting Grease (Front Wheel Only)
7	9040H	Bearing Flange (Front Wheel Only)
8	106108X427	Rim Asm 8"rear Service
9	138468	Tire Rear
10	7152J	Tube Rear (Service Item Only)
11	104757X	Cap Axle Blk 1 50 X 1 00
--	144334	Sealant, Tire (10 oz. Tube)

NOTE: All component dimensions given in U.S. inches
1 inch = 25.4 mm

REPAIR PARTS

TRACTOR -- MODEL NUMBER 917.259490

ENGINE



REPAIR PARTS

TRACTOR - - MODEL NUMBER 917.259490

ENGINE

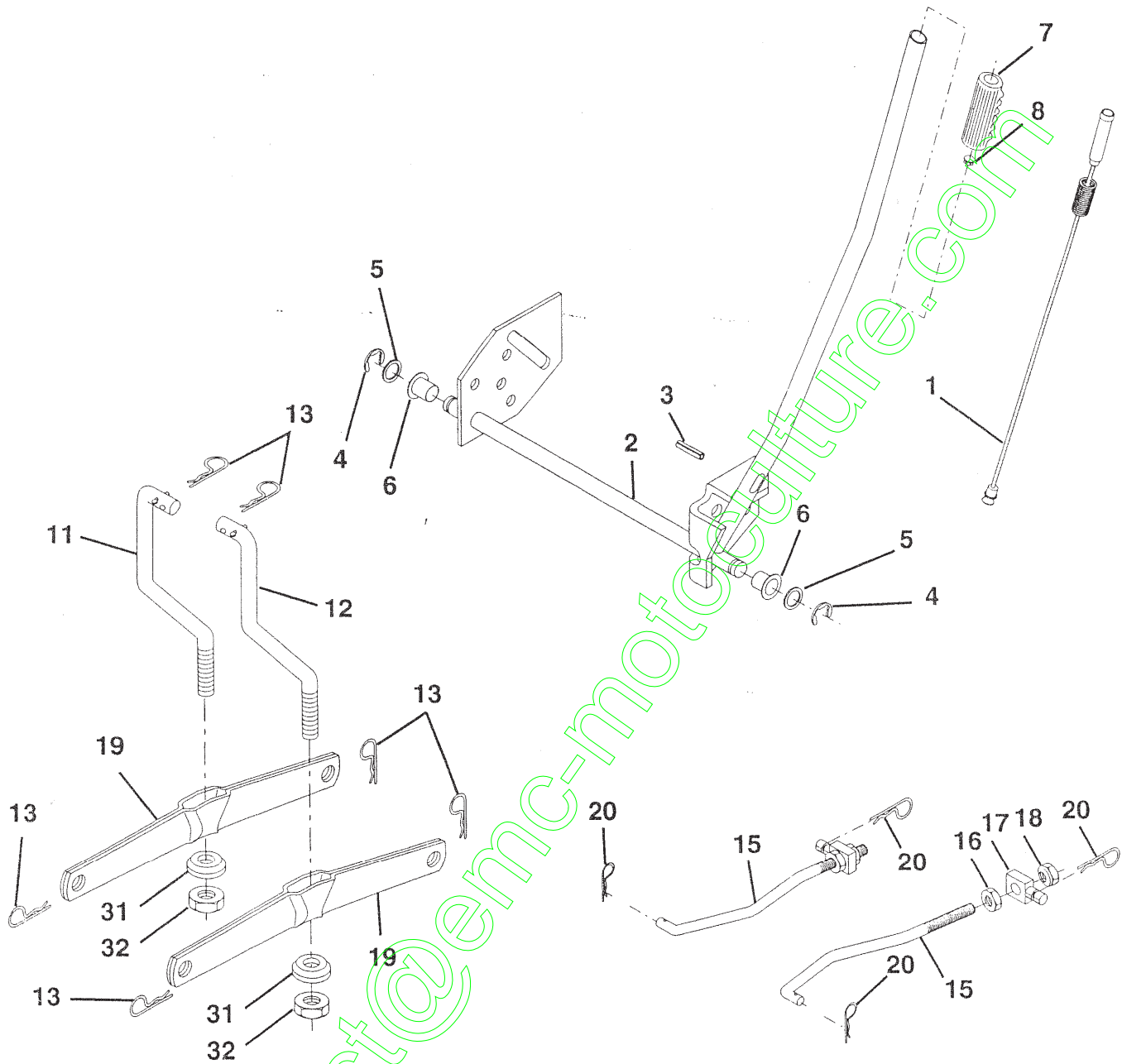
KEY NO.	PART NO.	DESCRIPTION
1	162152	Control, Throt Paddle 32 22
2	17720410	Screw Hex Thd Cut 1/4-20 x 5/8 Y
3	-----	Engine (See Breakdown) Briggs Model 42E707-2631-E1
4	149723	Muffler
5	144069	Exhaust Asm LH
6	144068	Exhaust Asm RH
7	138129	Clamp Tube Double Engine
8	150176	Bolt 5/16-18 UNC x 3/4 w/Sems
10	145552	Heat Shield Lt
11	STD551125	Washer Lock Hvy Helical 1/4
12	STD522507	Bolt 1/4-20 x 3/4
13	165287	Gasket Muffler
14	13280336	Nipple, Pipe 4-1/2"
15	13200300	Elbow, Standard 90°, 3/8-18 NPT
16	STD551237	Washer
17	17490624	Screw Thdrol 3/8-16 x 1-1/2 TT
23	159880	Shield, Browning
25	145996	Control Choke
26	73920600	Nut Keps 3/8-24 UNF
27	152927	Screw TT #10-32 x 5 x 3/8 Flange
29	137180	Arrestor, Spark
31	157103	Tank, Fuel
32	161696	Cap, Fuel, Gauge
33	123487X	Clamp, Hose
34	106082X	Pad Spacer 1 x 1 x 1
35	17490512	Screw Thdrol. 5/16-18 x 3/4 TYT
37	8543R	Line, Fuel
38	---	Plug, Oil Drain (Order From Engine Manufacturer)
39	109227X	Pad Idler 1.75 x .75 x .06
81	128861	Nut Flange 1/4-20 UNC Starter Nut

NOTE: All component dimensions given in U.S. inches
1 inch = 25.4 mm

REPAIR PARTS

TRACTOR - - MODEL NUMBER 917.259490

MOWER LIFT



REPAIR PARTS

TRACTOR - - MODEL NUMBER 917.259490

MOWER LIFT

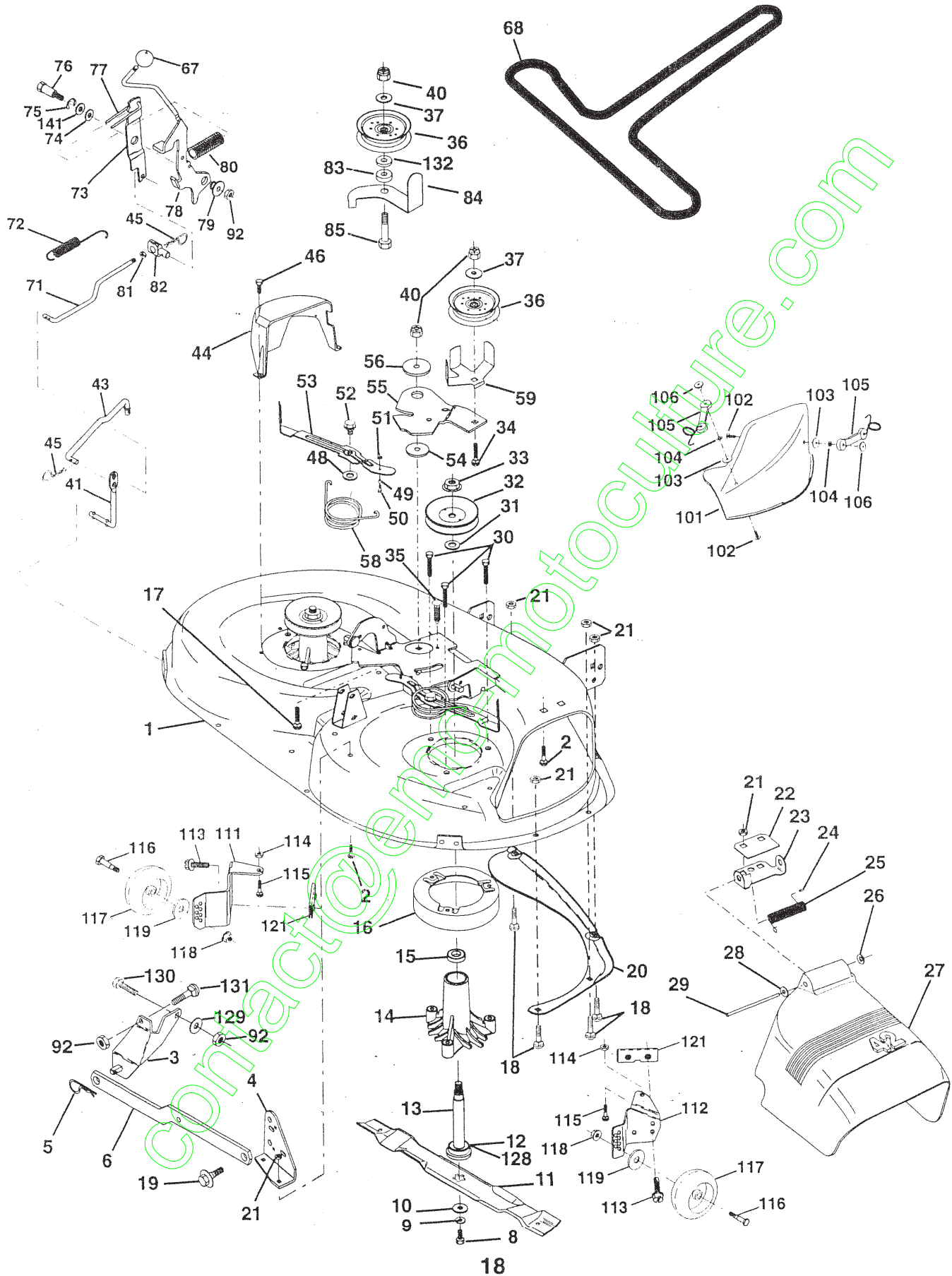
KEY NO.	PART NO.	DESCRIPTION
1	159460	Lift Lever Inner Wire Asm.
2	159471	Shaft Asm Lift
3	105767X	Pin Groove
4	12000002	E Ring
5	19211621	Washer 29/32 x 1-1/4 x 21 Ga.
6	120183X	Bearing Nylon Blk .629 ID
7	125631X	Grip.Handle Fluted
8	122365X	Button, Plunger
11	139865	Link Lift Lh Fixed Length
12	139866	Link Lift Rh Fixed Length
13	STD624008	Retainer Spring
15	127218	Link Front
16	73350800	Nut Jam Hex 1/2-13 Unc
17	130171	Trunnion Blk Zinc
18	73680800	Nut Crownlock 1/2-13 UNC
19	139868	Arm Suspension Rear
20	163552	Spring Retainer
23	110807X	Nut Special
24	19131016	Washer 13/32 X 5/8 X 16 Ga
25	164024	Spring
26	76020308	Pin Cotter 3/32 x 1/2
27	164543	Rod Adjust Lift
28	73350600	Nut Hex Jam 3/8-16 Unc
29	138057	Knob Infinite 3/8-16 Unc Black
30	150233	Trunnion Infinite Height
31	140302	Bearing Pvt. Lift Spherical
32	73540600	Nut Lock 3/8-24

NOTE: All component dimensions given in U.S. inches
1 inch = 25.4 mm

REPAIR PARTS

TRACTOR - - MODEL NUMBER 917.259490

MOWER DECK



REPAIR PARTS REPAIR PARTS

TRACTOR - - MODEL NUMBER 917.259490

MOWER DECK

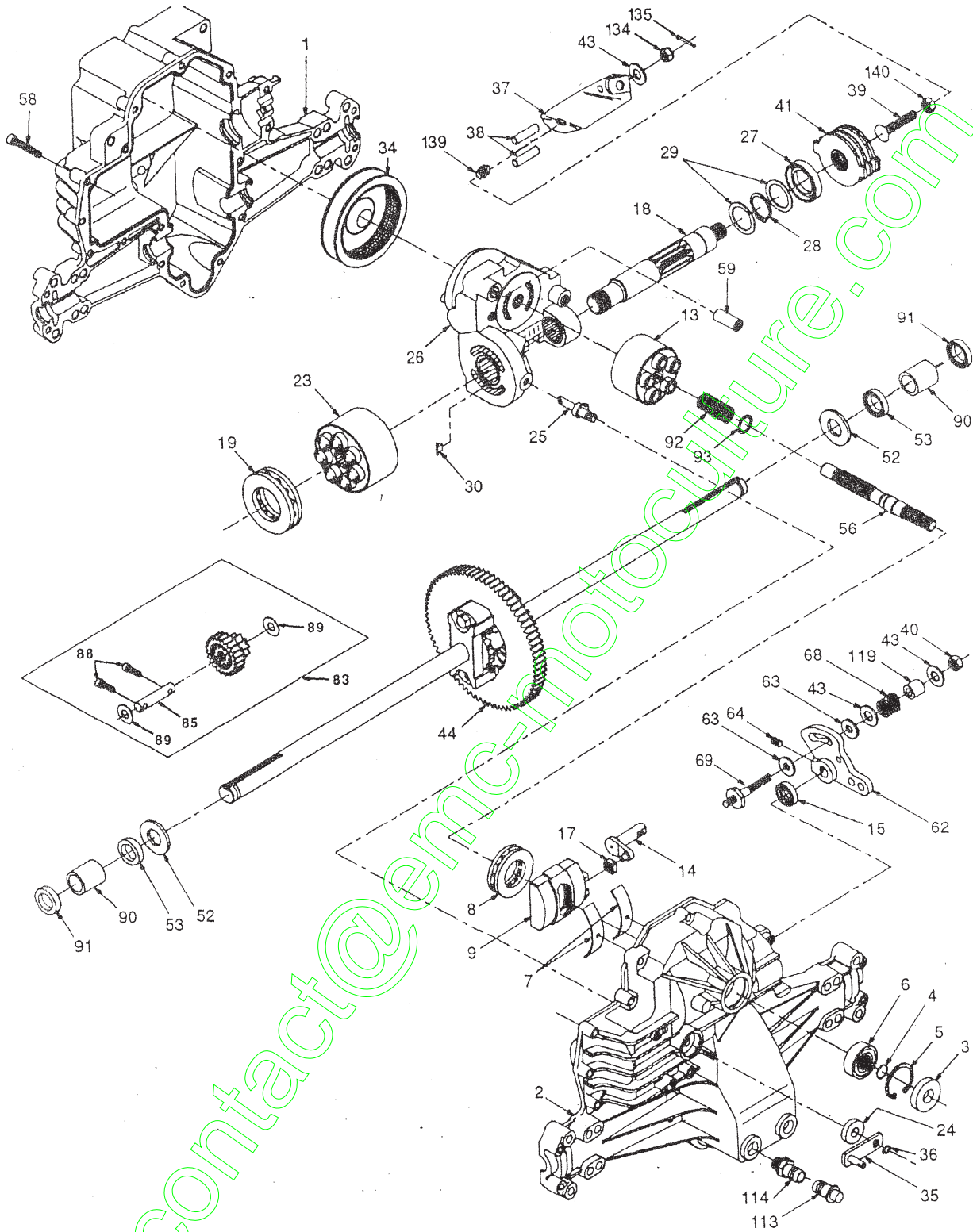
KEY NO.	PART NO.	DESCRIPTION	KEY NO.	PART NO.	DESCRIPTION
1	164961	Mower Housing	56	122052X	Spacer Retainer
2	STD533107	Bolt	58	140086	Spring Torsion Brake 42"
3	138017	Bracket Asm., Sway Bar Front	59	141043	Guard Tuv Idler (94)
4	138440	Bracket Asm., Sway Bar	67	162113	Knob Custom Oval
5	STD624008	Retainer Spring	68	144200	V-Belt
6	130832	Arm, Suspension, Rear (Sway Bar)	71	142427	Rod Clutch Primary with nibs
8	850857	Bolt, Patched 3/8-24 x 1-1/4 Gr. 8	72	131870	Spring Return
9	STD551137	Washer, Lock Hvy., Unplated 3/8	73	127847	Arm Clutch Secondary
10	140296	Washer, Hard Blade, Mower Vented	74	121748X	Washer 25/32 x 1-5/8 x 16 Ga
11	134149	Blade, Mulching	75	12000029	Ring Klip
12	129895	Bearing, Ball, Mandrel #6204	76	128903	Bolt Shoulder 3/8-16 Unc x 1.44
13	137645	Shaft Asm. Mandrel Vented (Includes Key No. 6)	77	127845	Keeper Spring
14	128774	Housing, Mandrel Vented	78	160570	Arm Clutch Primary
15	110485X	Bearing, Ball, Mandrel	79	127498	Bushing Large Brass
16	140329	Stripper, Mower Round	80	153701	Spring Mower Clutch
17	72110610	Bolt, Carriage 3/8-16 x 2-1/4	81	73350600	Nut Hex Jam 3/8-16 Unc
18	72140505	Bolt, Carriage 5/16-18 x 5/8	83	120958X	Washer Sintered
19	132827	Bolt, Hex Head, Shoulder 5/16-18	82	142028	Trunnion Adj. 94
20	159770	Baffle, Vortex	84	156084	Keeper Belt Idler
21	STD541431	Nut, Crownlock 5/16-18 UNC	85	72140620	Bolt Carriage 3/8-16 x 2-1/2
22	134753	Stiffener, Bracket	92	STD541437	Nut Lock Hex W/Ins 3/8-16 UNC
23	131267	Bracket, Deflector	101	136420	Cover, Mulching 42" Blk
24	105304X	Cap, Sleeve	102	71161010	Screw
25	123713X	Spring, Torsion, Deflector	103	STD551110	Washer, Lock #10
26	110452X	Nut, Push	104	STD551110	Washer Lock
27	130968	Shield, Deflector	105	160793	Latch Asm. Bagger
28	19111016	Washer 11/32 x 5/8 x 16 Ga.	106	2029J	Nut, Weld
29	131491	Rod, Hinge	111	155197	Bracket Gauge Wheel LH
30	157722	Screw, Thd Rolling Washer Head	112	155198	Bracket Gauge Wheel RH
31	129963	Washer, Spacer Mower Vented	113	17490512	Screw Thdrol 5/16-18 x 3/4
32	153535	Pulley, Mandrel	114	73510500	Nut Hex Keps 5/16-18 Unc
33	137266	Nut, Flg. Top Lock Cntr. 9/16	115	72110504	Bolt Carriage 5/16 Unc x 1/2
34	STD533717	Bolt	116	4898H	Bolt, Shoulder
35	133835	Fastener, Christmas Tree	117	165746	Gauge Wheel
36	131494	Pulley, Idler, Flat	118	73930600	Nut, Centerlock 3/8-16 UNC
37	19131316	Washer 13/32 x 13/16 x 16 Ga.	119	19121414	Washer 3/8 x 7/8 x 14 Ga.
40	STD541437	Nut Crownlock 3/8-16 Unc	121	143723	Bracket
41	133551	Rod Pivot with nibs	128	153390	Washer Felt
43	140083	Rod Clutch Secondary w/Nibs	129	19131312	Washer 13/32 x 13/16 x 12 Ga
44	140088	Guard Mandrel	130	STD523710	Bolt Fin Hex 3/8-16 Unc x 1 Gr. 5
45	STD624003	Retainer	131	STD533710	Bolt Rdhd Sqnk
46	137729	Screw, Thdroll. 1/4-20 x 5/8	132	19132203	Washer 13/32 x 1-3/8 x 3 ga
48	133944	Washer Hardened	141	6266H	Washer Thrust .75 x 1.230
49	155066	Roller assembly Cam Follower	--	130794	Mandrel Asm. (Includes Key Nos. 8-10, 12-15, 31 and 32)
50	131340	Bolt, Shoulder #10-24 Gr. 5	--	164963	Mower Deck Complete (Std. Deck- Order separately mulcher plate components Key Nos. 101-106)
51	STD541410	Loxknut			
52	139888	Bolt Shoulder 5/16-18 Unc			
53	131845	Arm Assembly Pad Brake			
54	133943	Washer Hardened			
55	155046	Arm Idler			

NOTE: All component dimensions given in U.S. inches
1 inch = 25.4 mm

REPAIR PARTS

TRACTOR -- MODEL NUMBER 917.259490

HYDRO GEAR TRANSAXLE -- MODEL NUMBER 319-0650



REPAIR PARTS

TRACTOR -- MODEL NUMBER 917.259490

HYDRO GEAR TRANSAXLE -- MODEL NUMBER 319-0650

KEY PART NO. NO.	DESCRIPTION	KEY PART NO. NO.	DESCRIPTION
1 142930	Housing, Lower	43 142884	Washer 7/16 x 7/8 x .060
2 142931	Assembly, Upper Housing	44 150829	Differential Assembly
3 142932	Seal, Lip	52 142991	Washer 3/4 x 1.5 x .13
4 142928	Ring, Wire Retaining	53 142961	Seal .75 x 1.25 x .250
5 142933	Ring, Retaining	56 142963	Shaft, Input
6 142934	Bearing, Shaft Ball	58 142964	Bolt 1/4-20 x 1.38
7 142935	Bearing, Cradle	59 142965	Pin .5 OD x .43 ID x .750
8 150771	Bearing, Thrust 30 x 52 x 13	62 142966	Arm, Control
9 142937	Swashplate, Variable	63 142967	Puck, Dampener
13 142938	Block, Cylinder Assembly	64 142920	Set Screw
14 142939	Arm, Trunnion	68 142969	Spring
15 142940	Seal, Lip	69 144610	Stud 5/16-24
17 142941	Guide, Slot	83 142971	Jackshaft Assembly
18 150772	Shaft, Motor	85 150806	Jackshaft
19 150773	Bearing, Thrust 42 x 68 x 16	88 142973	Screw, Cap
23 142944	Block, Cylinder Assembly	89 142974	Washer 7/16 x 1 x 1/2
24 142945	Seal, Lip 10 x 25 x 7	90 142975	Sleeve Bearing
25 142946	Actuator, Bypass	91 142976	Seal, Wiper
26 150774	Center Section Assembly Kit	92 142977	Spring, Block
27 142948	Seal, Lip 26 x 42 x 8	93 142978	Washer, Block Thrust
28 142949	Ring, Retaining	113 142917	Cap, Vent Assembly
29 142950	Washer 26 x 35 x 1	114 142918	Fitting, O-Ring Assembly
30 150787	Plate, Bypass	119 142980	Spacer
34 142951	Oil Filter Element	134 144607	Nut, Castle 5/16-24
35 142952	Arm, Bypass	135 144608	Pin, Cotter
36 142953	Ring, Retaining	139 150775	Spring, Compression
37 142954	Arm, Actuating	140 150776	Nut, Hex 5/16-24
38 142955	Pin, Actuating		
39 150777	Bolt 5/16-24 x 1-3/4		
40 150778	Locknut, Hex 5/16-24 UNJC		
41 142958	Brake Rotor/Stator Kit		

NOTE: All component dimensions given in U.S. inches
1 inch = 25.4 mm

contact@emc-mc.com